



US00RE46598E

(19) **United States**  
(12) **Reissued Patent**  
**Gill**

(10) **Patent Number:** **US RE46,598 E**  
(45) **Date of Reissued Patent:** **Nov. 7, 2017**

- (54) **PERITONEAL DIALYSIS DEVICE**
- (71) Applicant: **DEKA Products Limited Partnership**,  
Manchester, NH (US)
- (72) Inventor: **Matthew R. Gill**, Cambridge, MA (US)
- (73) Assignee: **DEKA Products Limited Partnership**,  
Manchester, NH (US)
- (21) Appl. No.: **29/579,858**
- (22) Filed: **Oct. 4, 2016**

**Related U.S. Patent Documents**

Reissue of:

- (64) Patent No.: **Des. 725,277**  
Issued: **Mar. 24, 2015**  
Appl. No.: **29/493,120**  
Filed: **Jun. 5, 2014**
- (51) **LOC (10) Cl.** ..... **24-01**
- (52) **U.S. Cl.**  
USPC ..... **D24/169**
- (58) **Field of Classification Search**  
USPC ..... D24/169, 186, 108, 111, 216, 219, 232;  
D6/705.5

(Continued)

- (56) **References Cited**  
U.S. PATENT DOCUMENTS  
D308,249 S 5/1990 Buckley  
D341,890 S 11/1993 Sievert et al.

(Continued)

**OTHER PUBLICATIONS**

ING et al., editors. Dialysis: History, Development, and Promise.  
Hackensack, NJ: World Scientific, 2012. 259-269.

(Continued)

*Primary Examiner* — Phillip S Hyder

(74) *Attorney, Agent, or Firm* — Wolf, Greenfield & Sacks, P.C.

(57) **CLAIM**

The ornamental design for [an door for] a peritoneal dialysis device, as shown and described.

**DESCRIPTION**

FIG. 1 is a front, top, and right side perspective view of a first embodiment of the [door for a] peritoneal dialysis device, [showing the new design] wherein the door is in a closed position;

FIG. 2 is a front side elevational view thereof;

FIG. 3 is a rear side elevational view thereof;

FIG. 4 is a right side elevational view thereof;

FIG. 5 is a left side elevational view thereof;

FIG. 6 is a top plan view thereof;

FIG. 7 is a bottom plan view thereof;

FIG. 8 is [another] a front, top, and right side perspective view [thereof] of a second embodiment of the peritoneal dialysis device, [showing] wherein the door in an open position;

FIG. 9 is [another] a front side elevational view thereof, showing the door in an open position];

FIG. 10 is [another back] a rear side elevational view thereof, showing the door in an open position];

FIG. 11 is [another left] a right side elevational view thereof, showing the door in an open position];

FIG. 12 is [another right] a left side elevational view thereof, showing the door in an open position];

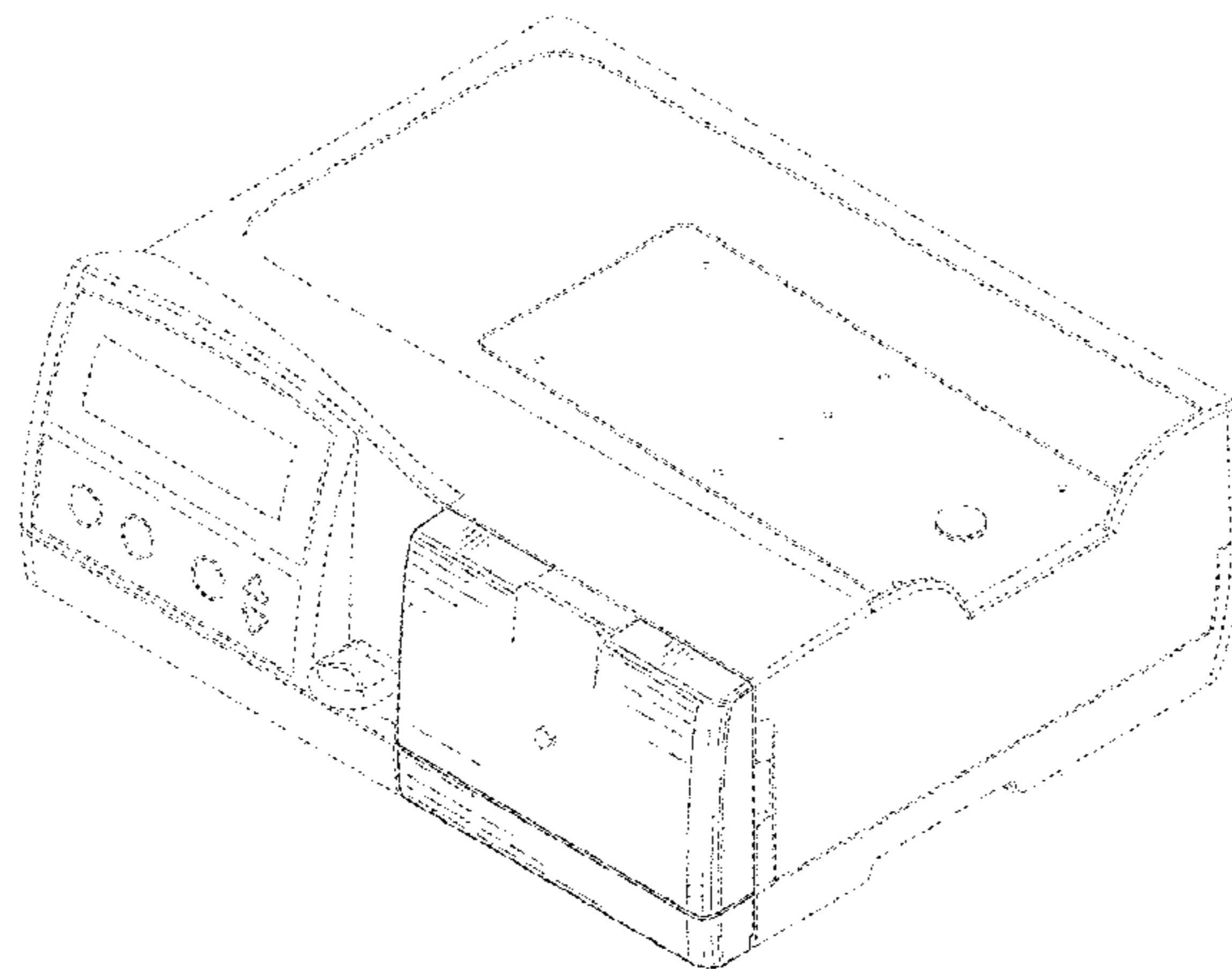
FIG. 13 is [another] a top plan view thereof, showing the door in an open position]; and,

FIG. 14 is [another] a bottom plan view thereof, showing the door in an open position].

The broken lines represent unclaimed portions of the [door for a] peritoneal dialysis device and form no part of the claimed design.

**1 Claim, 11 Drawing Sheets**

**Matter enclosed in heavy brackets [ ] appears in the original patent but forms no part of this reissue; matter printed in italics indicates the additions made by reissue.**



(58) **Field of Classification Search**  
 CPC ..... A61M 1/284; A61M 1/282; A61M  
 2209/084; A61M 2205/128  
 See application file for complete search history.

(56) **References Cited**

U.S. PATENT DOCUMENTS

5,350,357 A \* 9/1994 Kamen ..... A61M 1/28  
 604/29  
 D351,470 S \* 10/1994 Scherer et al. .... D24/169  
 5,431,626 A \* 7/1995 Bryant et al. .... 604/141  
 5,628,908 A 5/1997 Kamen et al.  
 D386,634 S \* 11/1997 Daus ..... D6/705.5  
 D393,314 S 4/1998 Meisner et al.  
 5,938,634 A \* 8/1999 Packard ..... 604/29  
 D483,206 S \* 12/2003 Schweikarth ..... D6/705.5  
 D534,275 S 12/2006 Hayamizu  
 D556,910 S \* 12/2007 Reihanifam et al. .... D24/169  
 D565,157 S 3/2008 Bates  
 D565,178 S 3/2008 Tanaka  
 D596,719 S 7/2009 Chen  
 D609,350 S 2/2010 Hickey et al.  
 D627,470 S 11/2010 Hickey et al.  
 D637,293 S 5/2011 Hickey et al.  
 D639,930 S 6/2011 Collins et al.  
 D641,882 S \* 7/2011 Hickey et al. .... D24/169  
 D645,157 S 9/2011 Fallon et al.  
 D663,844 S \* 7/2012 McGill et al. .... D24/169  
 D675,727 S 2/2013 Collins et al.  
 D680,849 S 4/2013 Berger et al.  
 8,512,553 B2 8/2013 Cicchello et al.  
 8,720,913 B2 \* 5/2014 Fallon ..... B62B 3/02  
 280/47.35

D724,740 S 3/2015 Collins et al.  
 D724,741 S 3/2015 Collins  
 D724,742 S 3/2015 Johnson  
 D725,277 S 3/2015 Gill  
 D725,780 S 3/2015 Johnson  
 D725,781 S 3/2015 Collins  
 D725,782 S 3/2015 Gill  
 D745,646 S 12/2015 Schonherr et al.  
 D748,229 S 1/2016 Yoshioka  
 D750,764 S 3/2016 DeSocio  
 D755,394 S 5/2016 Collins et al.  
 D755,975 S 5/2016 Collins et al.  
 D757,272 S 5/2016 Distler et al.  
 2004/0156745 A1 \* 8/2004 Vandlik ..... A61M 1/0209  
 422/44  
 2004/0202561 A1 10/2004 Hershberger et al.  
 2008/0015490 A1 1/2008 Hershberger et al.  
 2009/0113335 A1 4/2009 Sandoe et al.  
 2009/0222119 A1 9/2009 Plahey et al.  
 2010/0087777 A1 \* 4/2010 Hopping ..... A61M 1/28  
 604/29  
 2013/0037142 A1 \* 2/2013 Farrell ..... 137/565.01  
 2014/0018728 A1 \* 1/2014 Plahey et al. .... 604/29

OTHER PUBLICATIONS

Baxter Healthcare Corporation. HomeChoice: HomeChoice PRO  
 APD Systems Patient At-Home Guide. N.p.: Baxter Healthcare  
 Corporation, Oct. 12, 2009: i, sect.—p. 5-8, 5-10, 20-3, 20-5, 20-19.  
 Photographs of HomeChoice Automated Peritoneal Dialysis System  
 cyclor, Baxter Healthcare Corporation.  
 Photographs of HomeChoice PRO Automated Peritoneal Dialysis  
 System cyclor, Baxter Healthcare Corporation.

\* cited by examiner

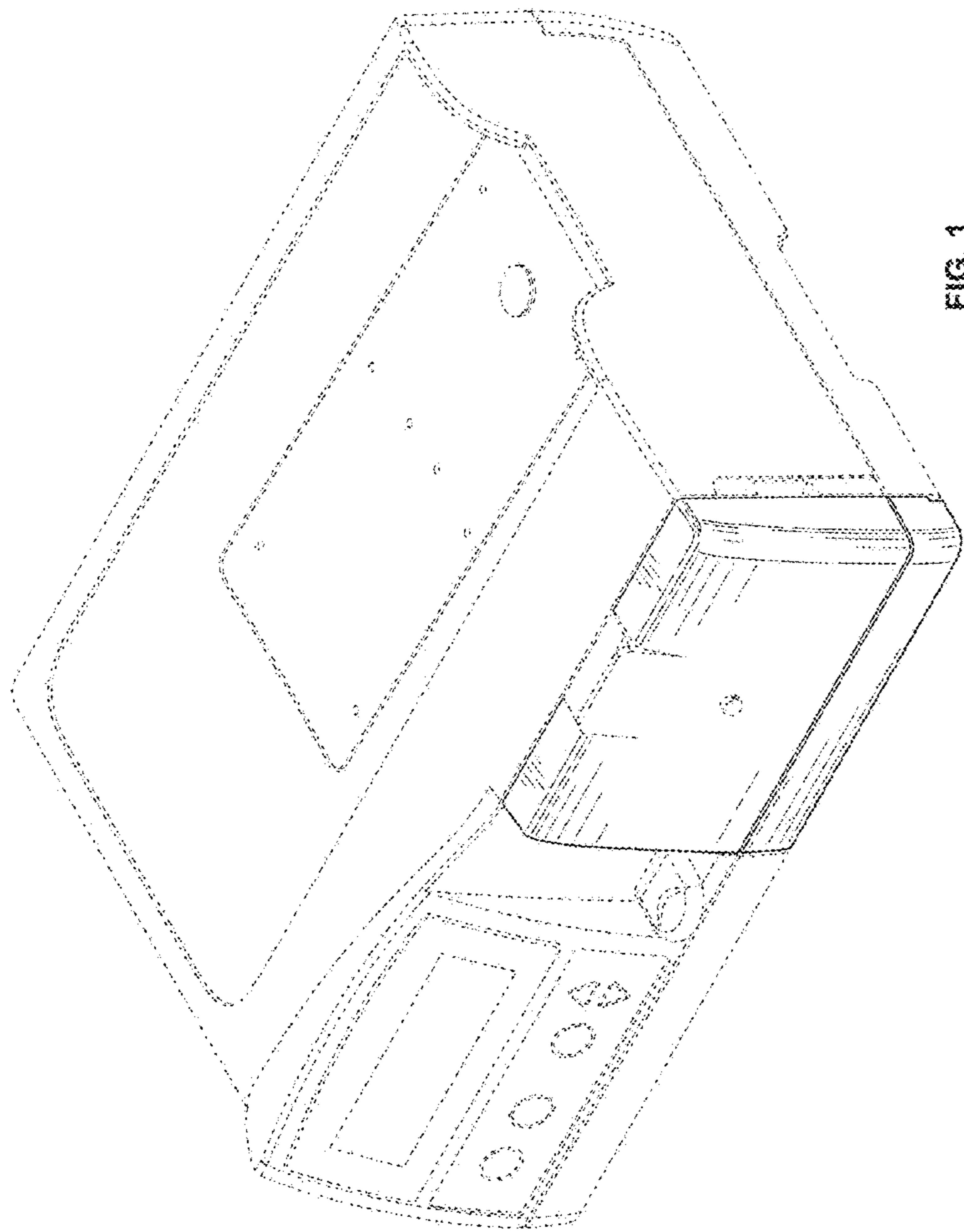


FIG. 1

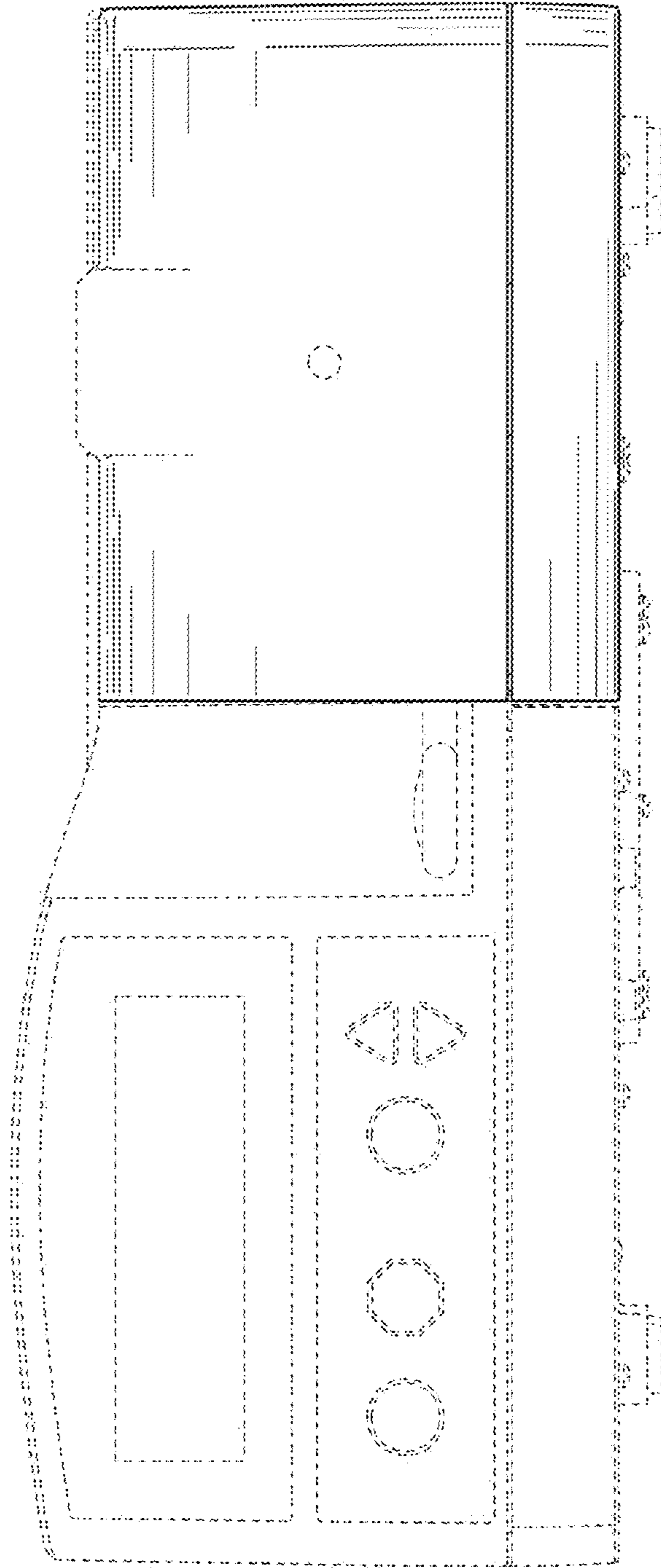


FIG. 2



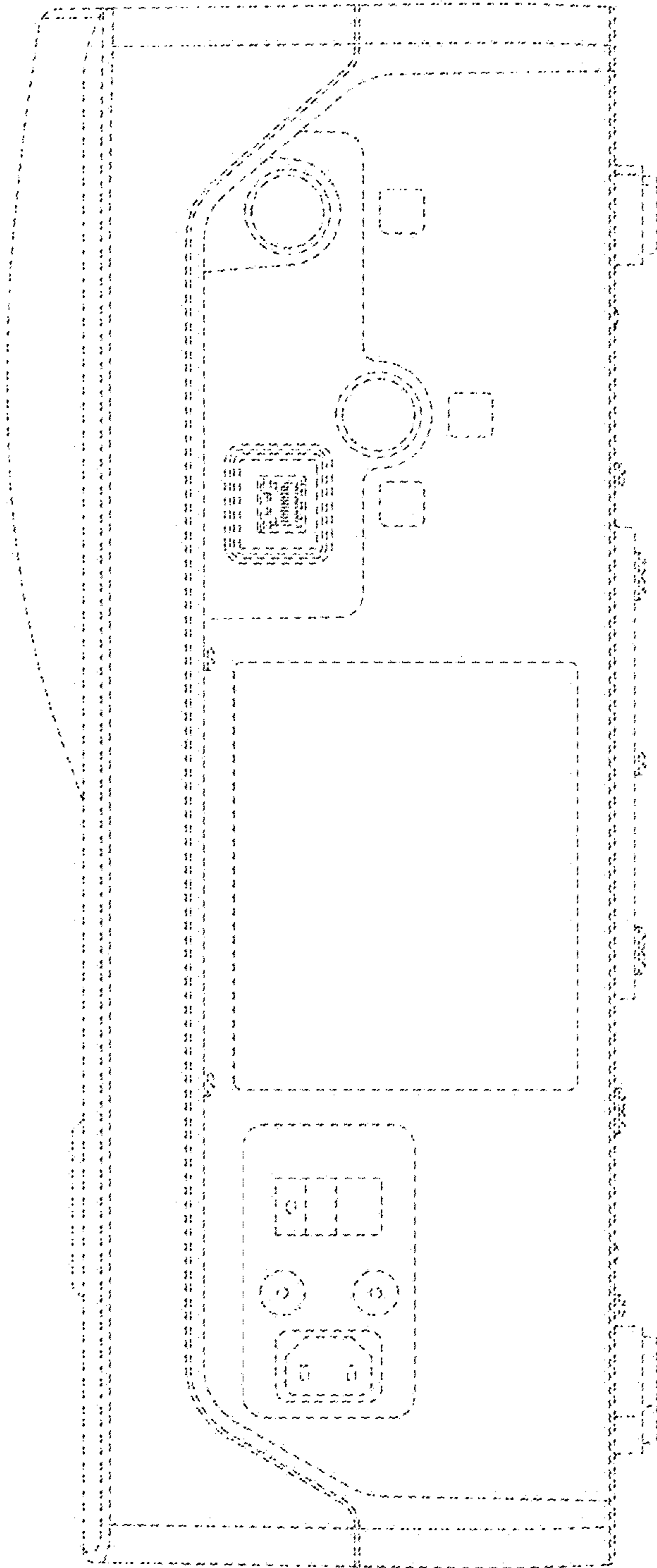


FIG. 3

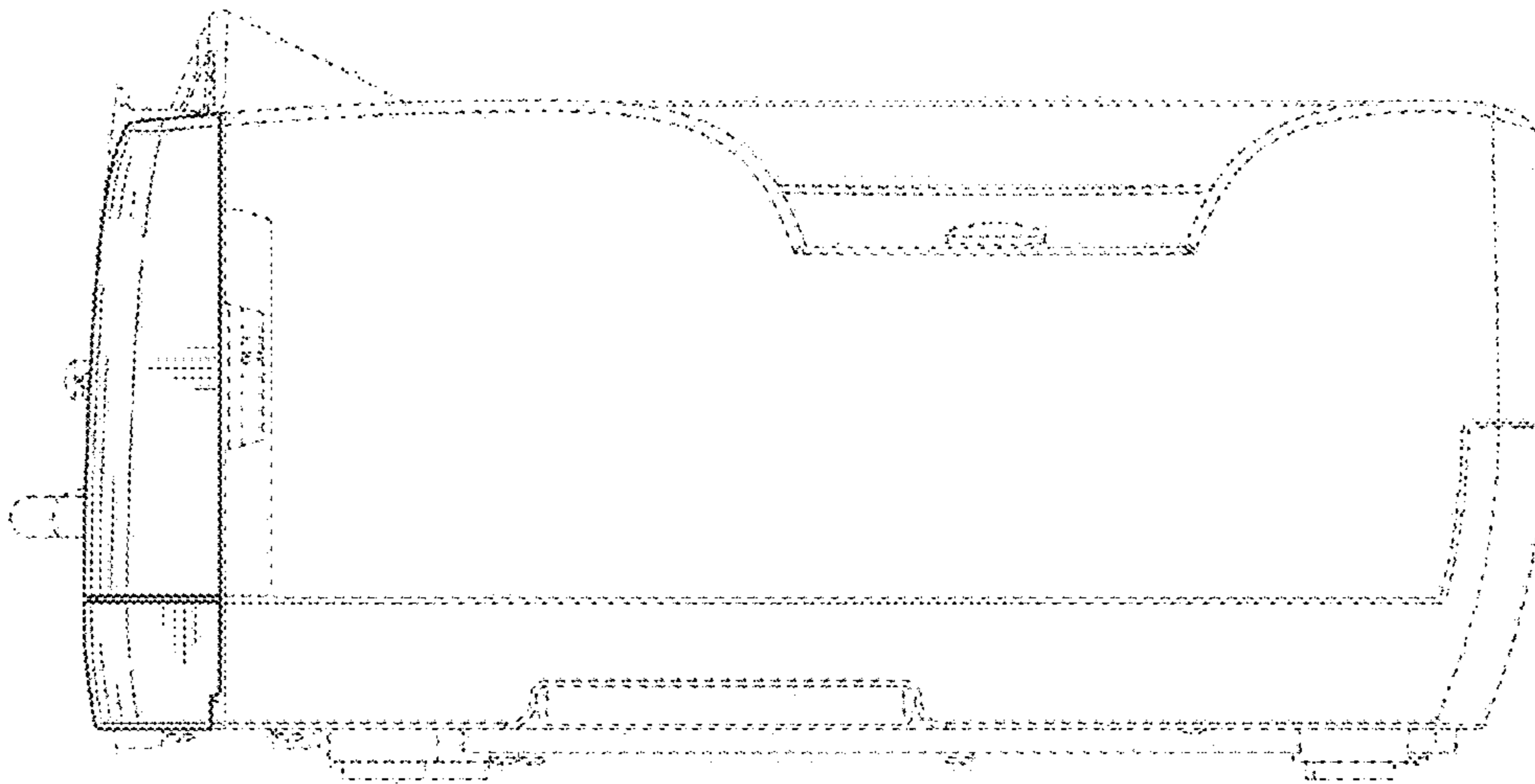


FIG. 4

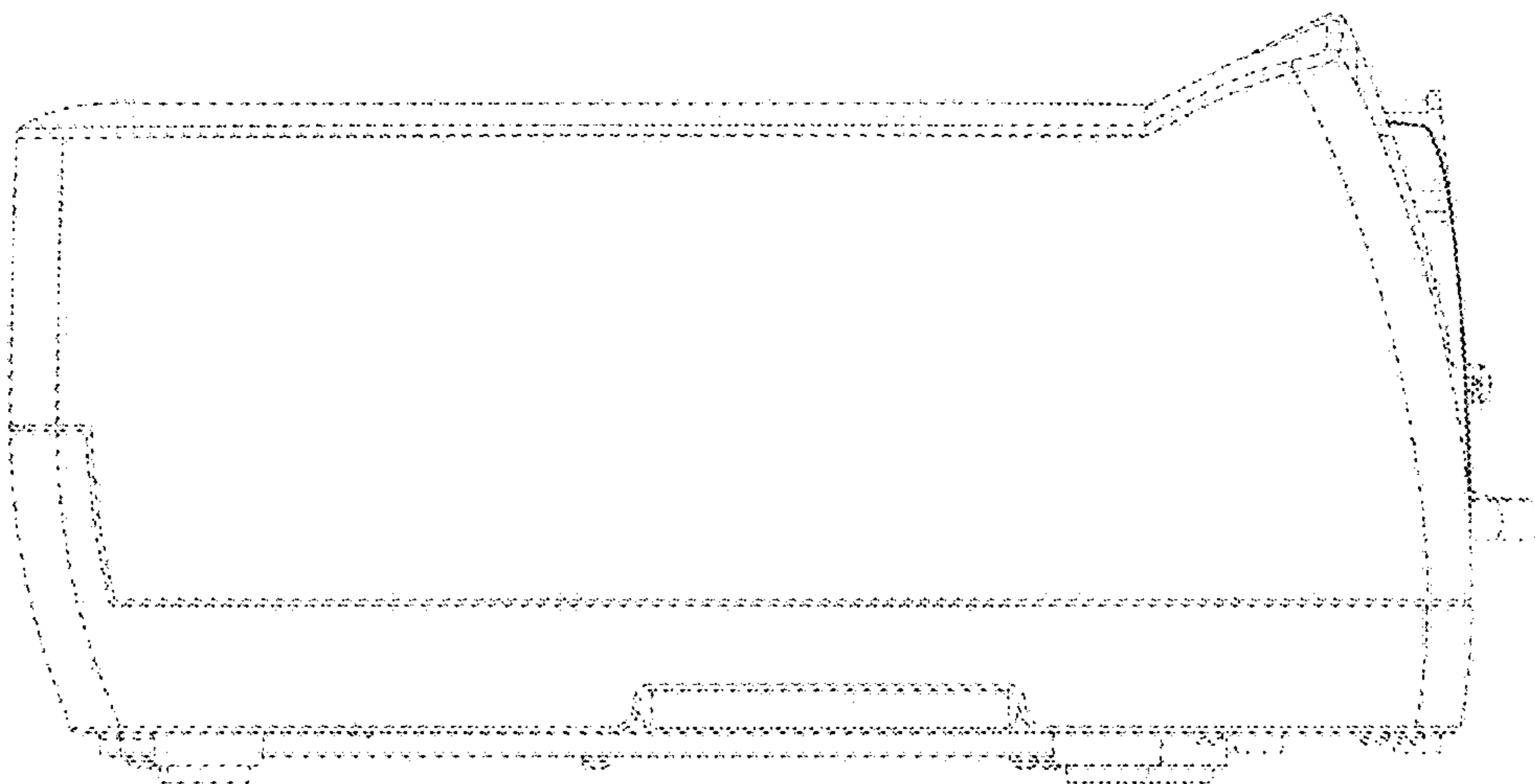


FIG. 5

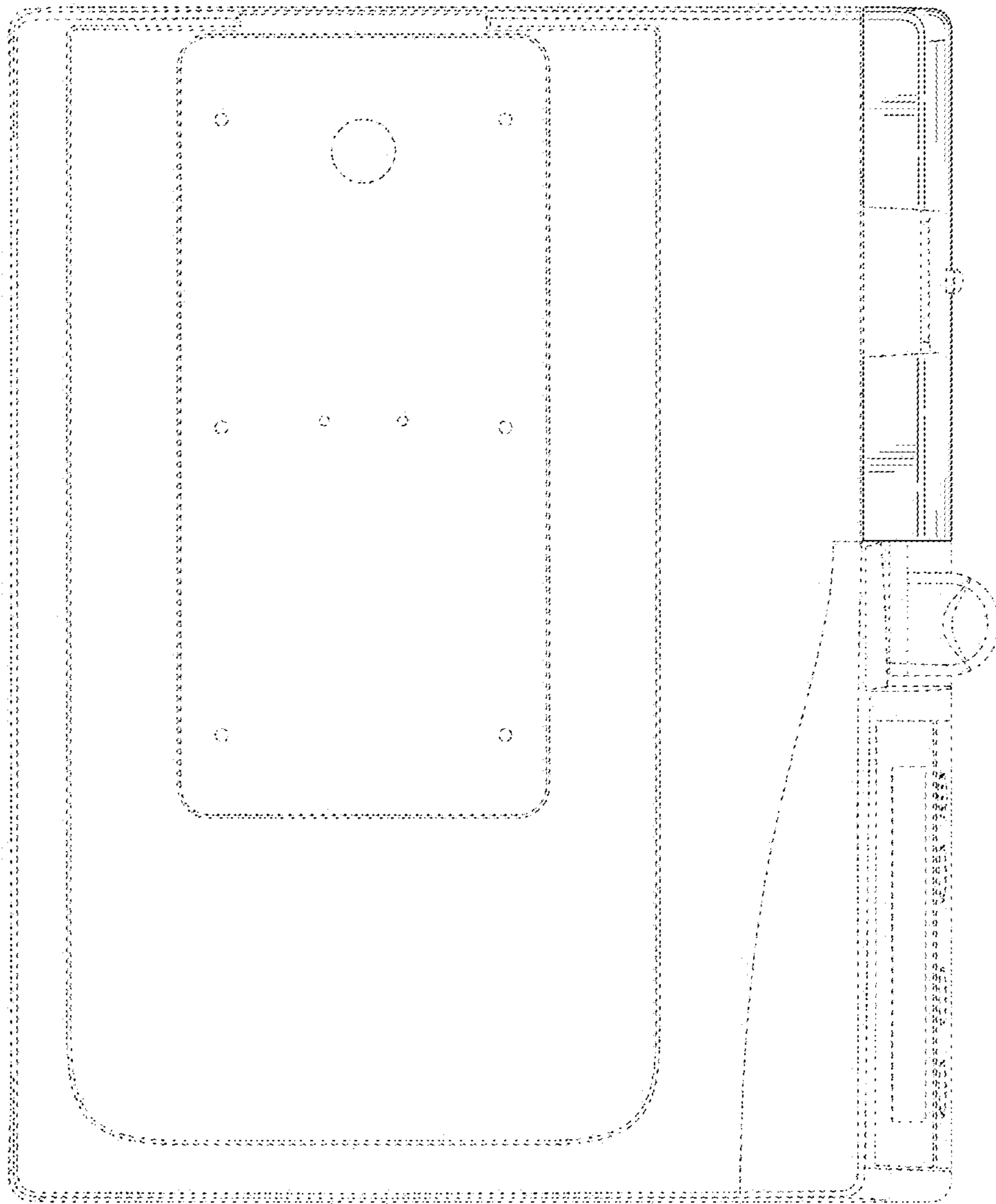


FIG. 6

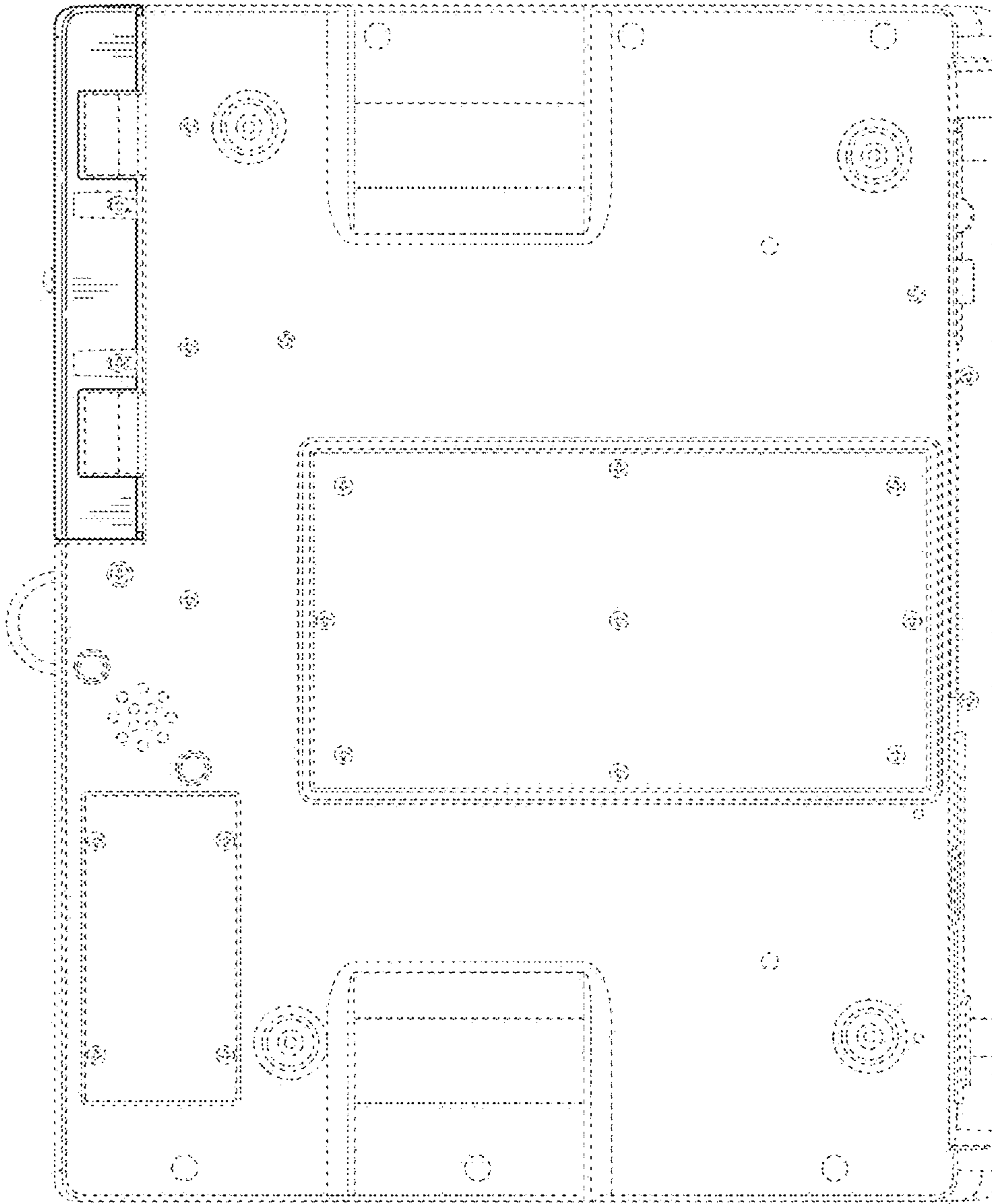


FIG. 7



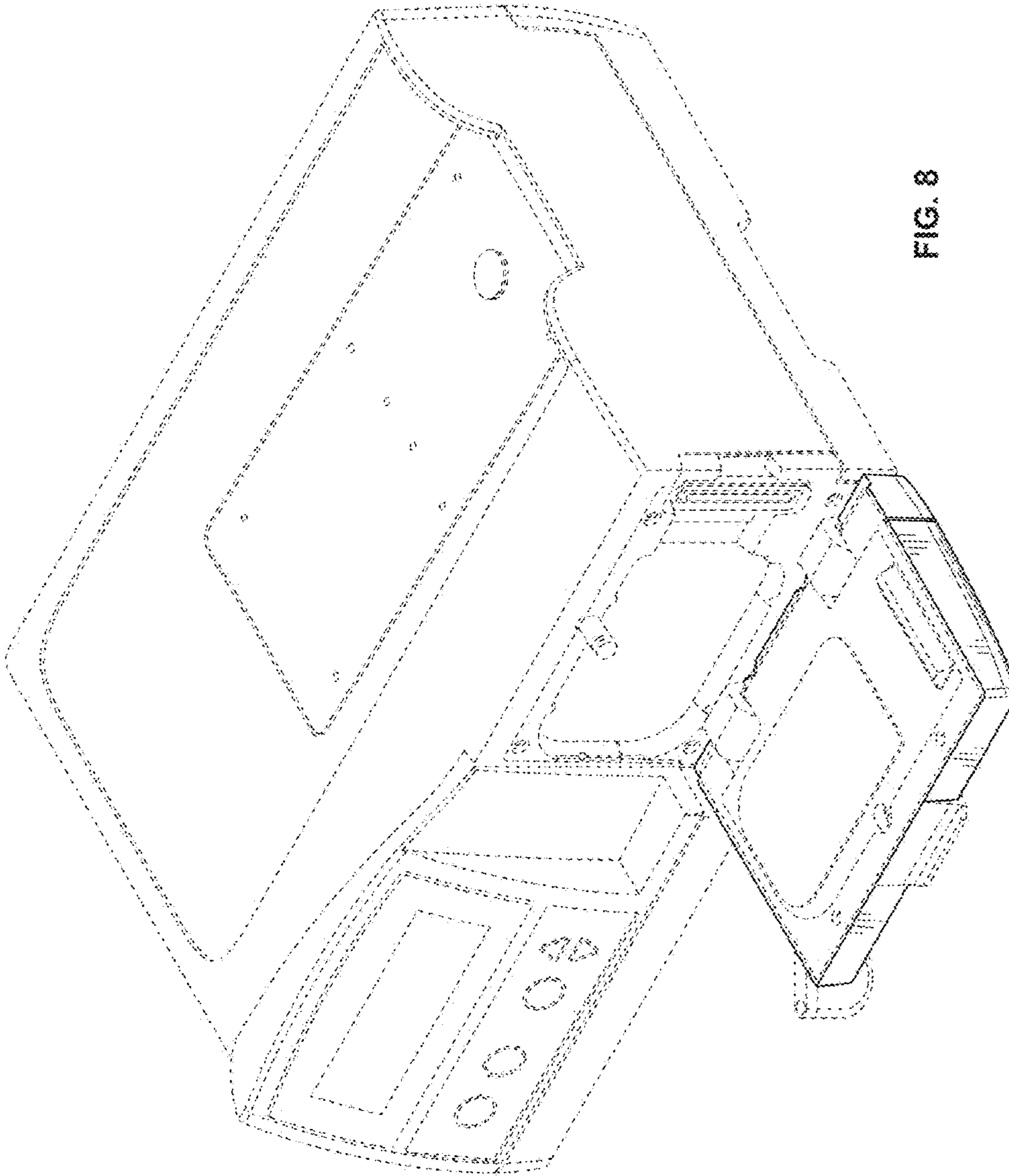


FIG. 8

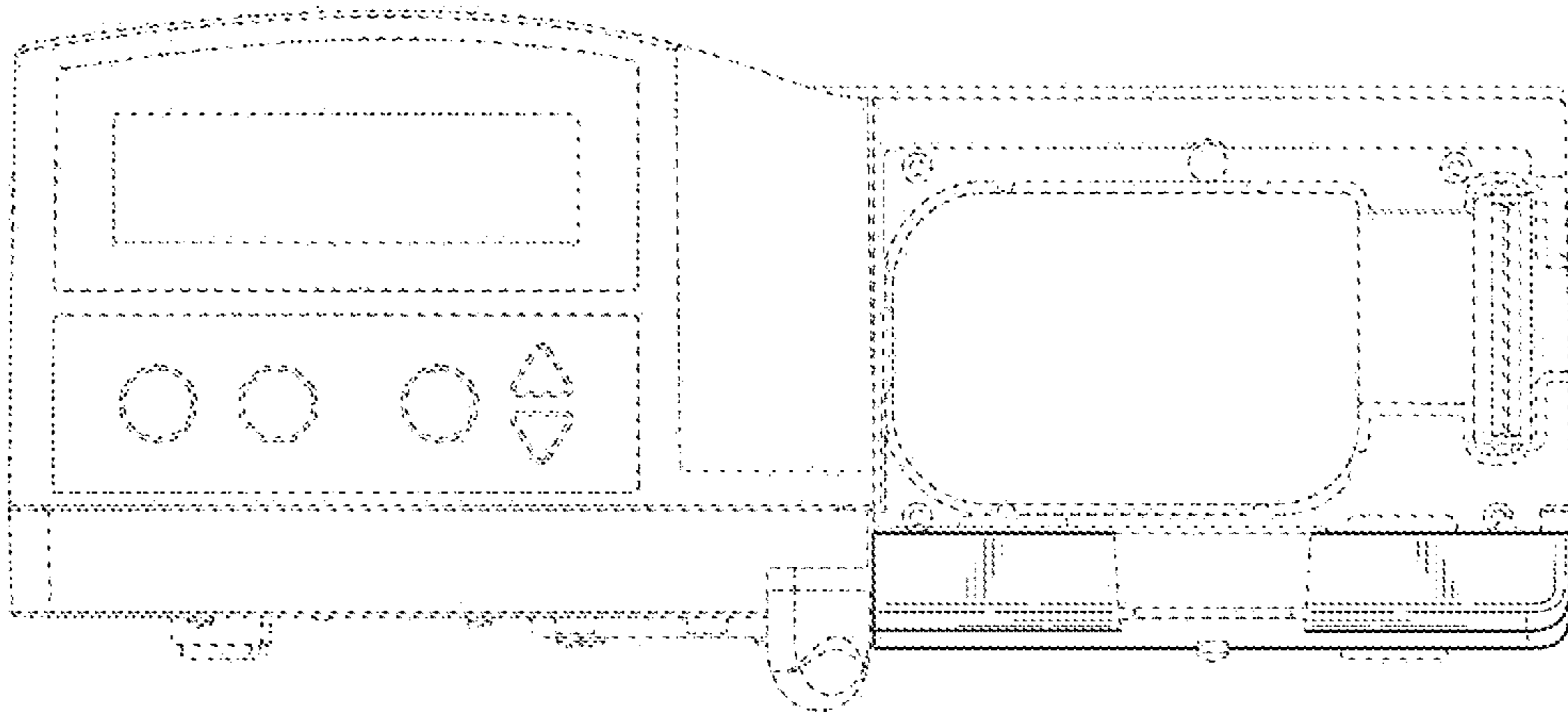


FIG. 9

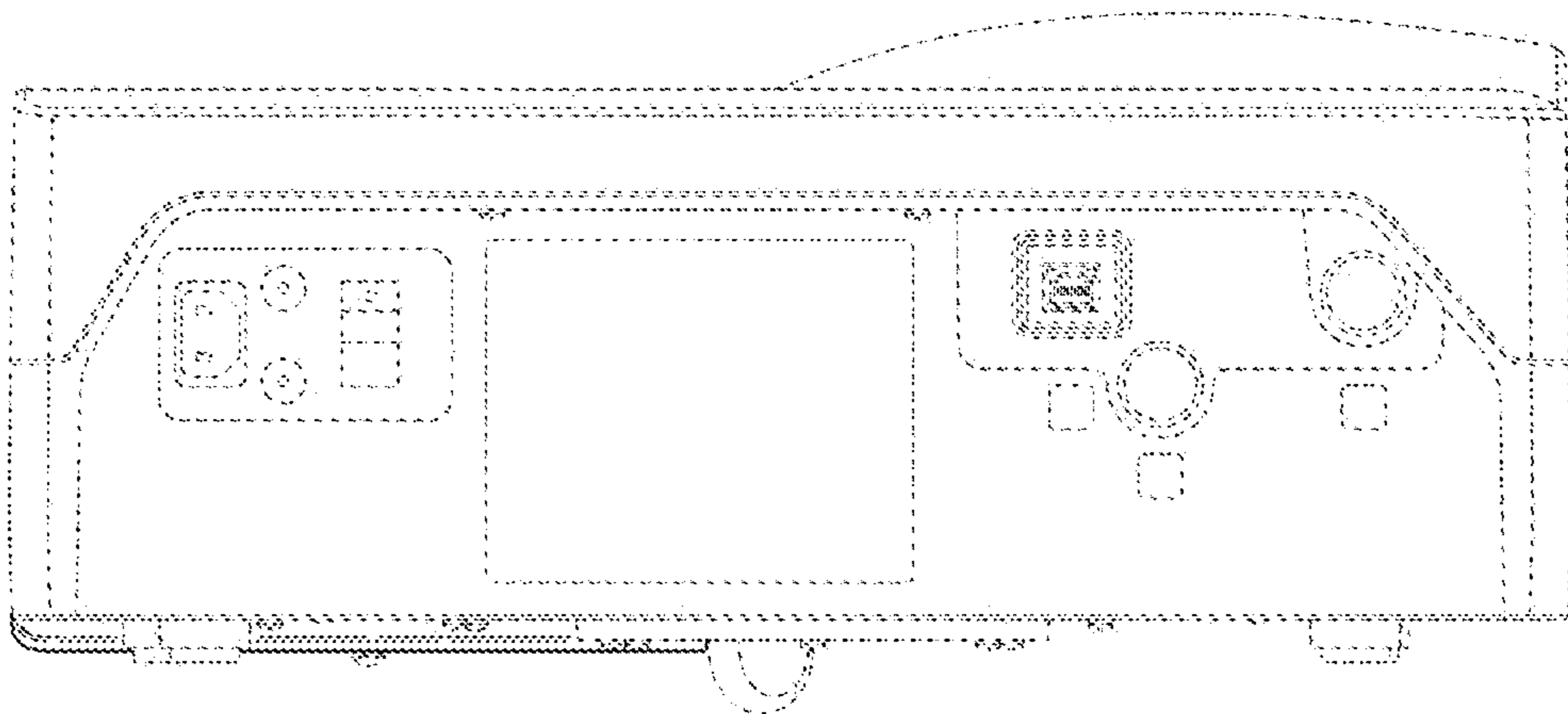


FIG. 10

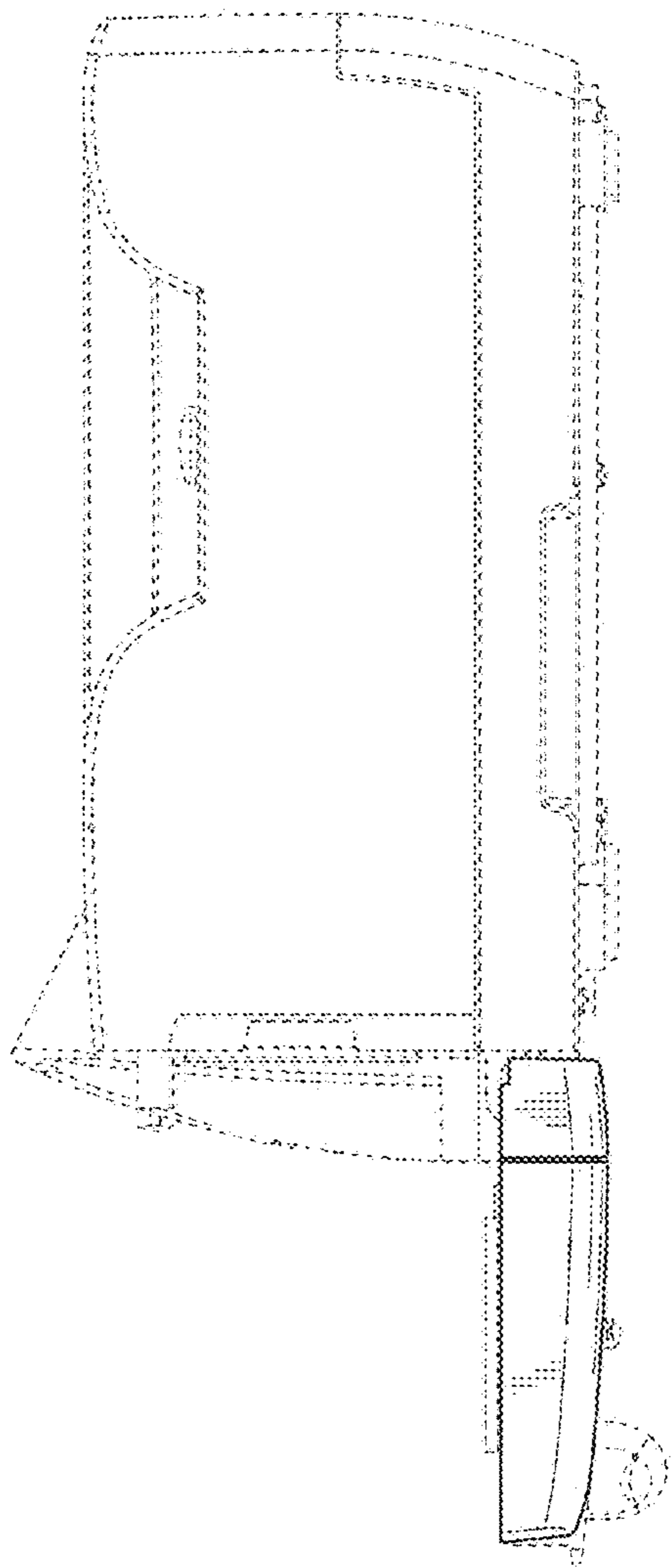


FIG. 11

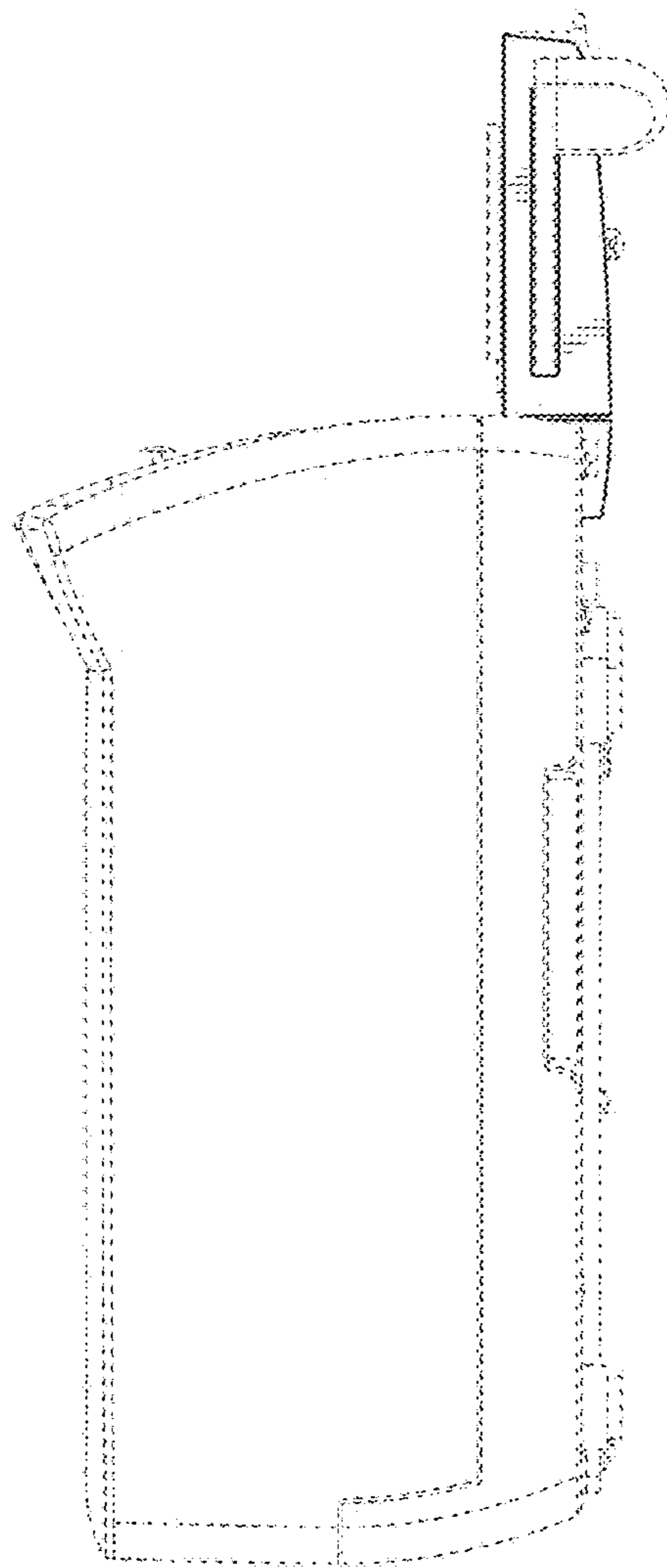


FIG. 12

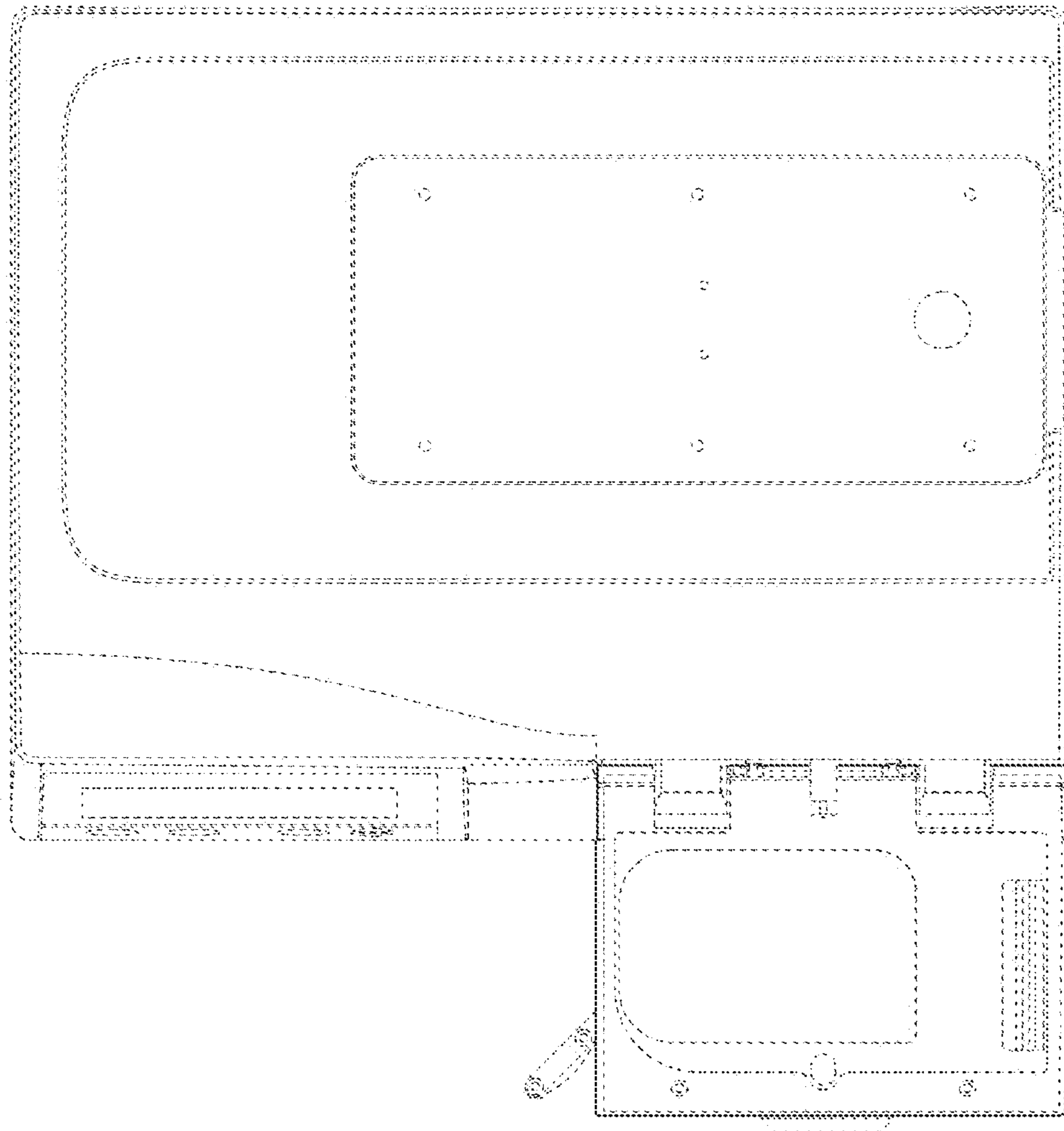


FIG. 13

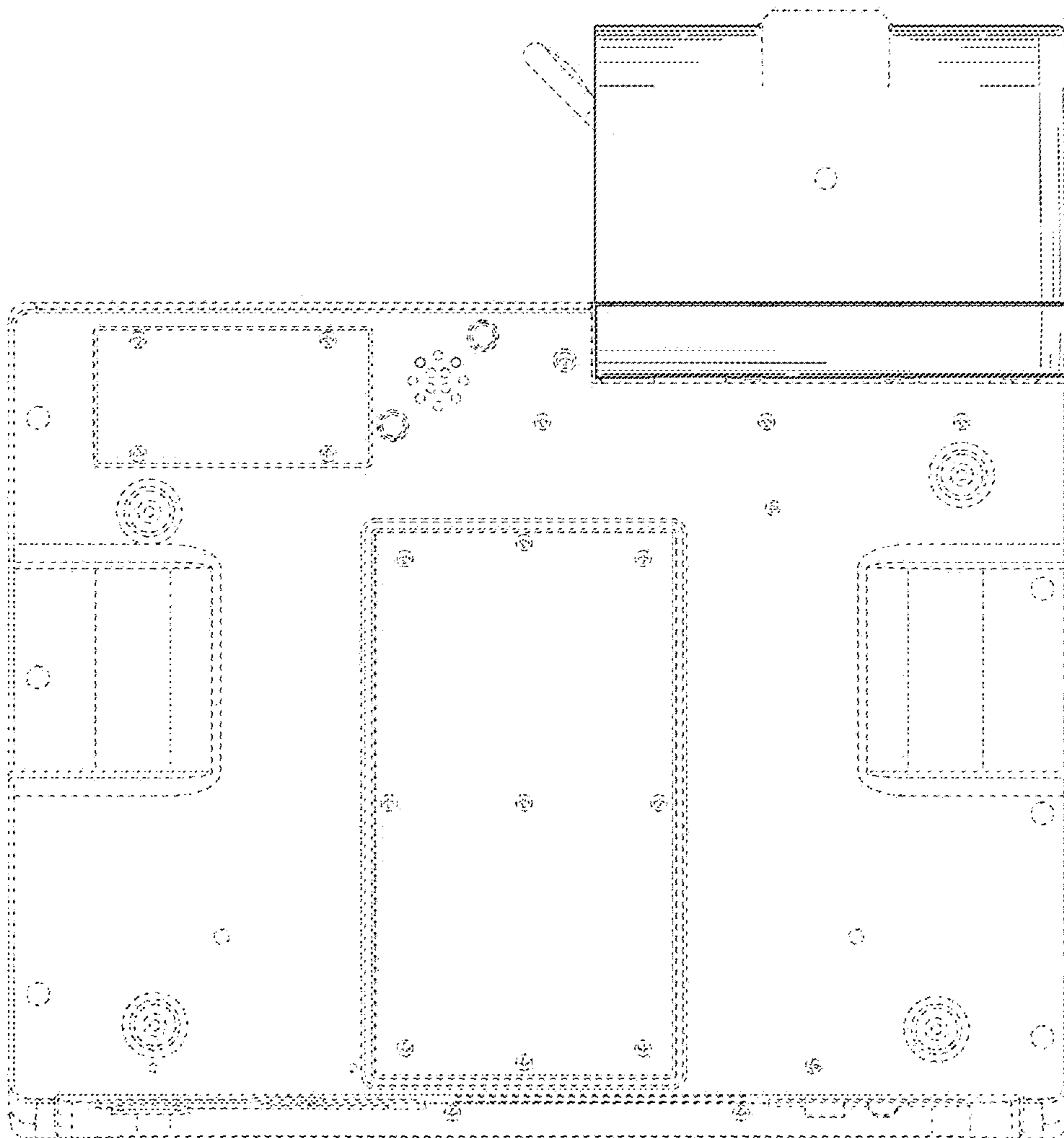


FIG. 14



UNITED STATES PATENT AND TRADEMARK OFFICE  
**CERTIFICATE OF CORRECTION**

PATENT NO. : RE46,598 E  
APPLICATION NO. : 29/579858  
DATED : November 7, 2017  
INVENTOR(S) : Matthew R. Gill

Page 1 of 1

It is certified that error appears in the above-identified patent and that said Letters Patent is hereby corrected as shown below:

On the Title Page

In Lines 13 and 14 of the "DESCRIPTION" section, in the description of FIG. 8, the words  
"wherein the door in an open position" should read --*wherein the door is* in an open position--.

Signed and Sealed this  
Ninth Day of January, 2018



Joseph Matal

*Performing the Functions and Duties of the  
Under Secretary of Commerce for Intellectual Property and  
Director of the United States Patent and Trademark Office*