



US00RE46586E

(19) **United States**
(12) **Reissued Patent**
Steiner et al.

(10) **Patent Number: US RE46,586 E**
(45) **Date of Reissued Patent: Oct. 24, 2017**

(54) **WIRELESS BATTERY-POWERED DAYLIGHT SENSOR**

(58) **Field of Classification Search**
CPC G01J 1/02; G01J 1/0219; G01J 1/0228;
G01J 1/0247; G01J 1/16; G01J 1/44;
(Continued)

(71) Applicant: **Lutron Electronics Co., Inc.**,
Coopersburg, PA (US)

(56) **References Cited**

(72) Inventors: **James P. Steiner**, Royersford, PA (US);
Greg Edward Sloan, Allentown, PA
(US)

U.S. PATENT DOCUMENTS

4,233,545 A 11/1980 Webster et al.
4,737,867 A 4/1988 Ishikawa et al.
(Continued)

(73) Assignee: **Lutron Electronics Co., Inc.**,
Coopersburg, PA (US)

FOREIGN PATENT DOCUMENTS

WO 96/15650 A1 5/1996
WO WO 03/043385 A1 5/2003
WO WO 2010/010491 1/2010

(21) Appl. No.: **14/721,236**

(22) Filed: **May 26, 2015**

OTHER PUBLICATIONS

Pape, Scott, "How to extend the battery life of your microcontroller based design", Jul. 26, 2006, 5 pages, XP002611416, [retrieved on Nov. 25, 2010], retrieved from the Internet <URL: http://www.eetimes.com/design/other/4006683/ContentItem_D4D08059_689F_44CE_8B54_56483005185A>.

(Continued)

Related U.S. Patent Documents

Reissue of:

(64) Patent No.: **8,451,116**
Issued: **May 28, 2013**
Appl. No.: **12/727,956**
Filed: **Mar. 19, 2010**

U.S. Applications:

(60) Provisional application No. 61/164,098, filed on Mar. 27, 2009, provisional application No. 61/174,322,
(Continued)

(51) **Int. Cl.**
G08B 13/08 (2006.01)
G01J 1/02 (2006.01)
(Continued)

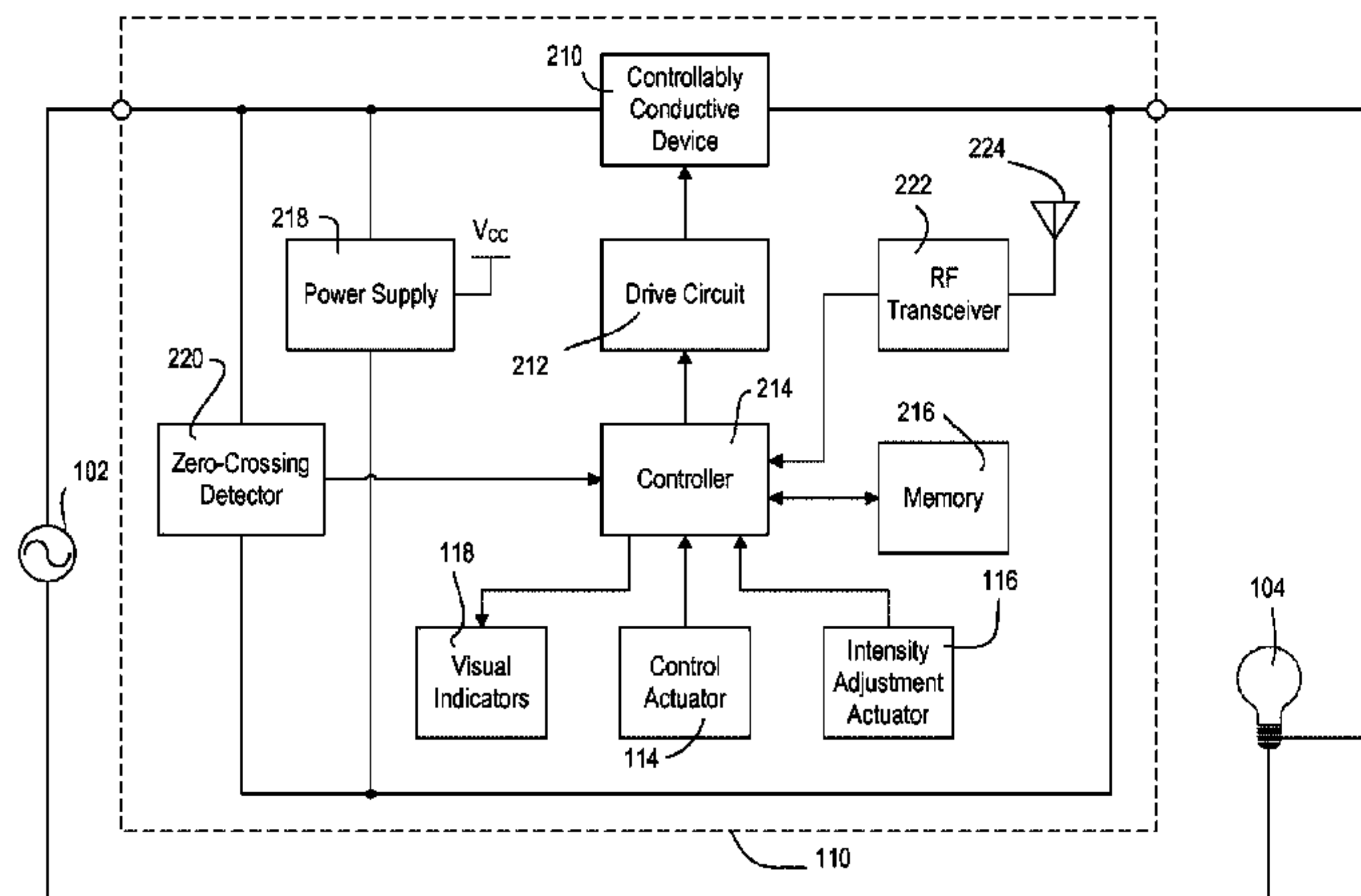
(52) **U.S. Cl.**
CPC **G01J 1/02** (2013.01); **G01J 1/0219**
(2013.01); **G01J 1/0228** (2013.01);
(Continued)

Primary Examiner — Krisanne Jastrzab
(74) *Attorney, Agent, or Firm* — Glen R. Farbanish;
Philip N. Smith

(57) **ABSTRACT**

A wireless battery-powered daylight sensor for measuring a total light intensity in a space is operable to transmit wireless signals using a variable transmission rate that is dependent upon the total light intensity in the space. The sensor comprises a photosensitive circuit, a wireless transmitter for transmitting the wireless signals, a controller coupled to the photosensitive circuit and the wireless transmitter, and a battery for powering the photosensitive circuit, the wireless transmitter, and the controller. The photosensitive circuit is operable to generate a light intensity control signal in response to the total light intensity in the space. The controller transmits the wireless signals in response to the light

(Continued)



intensity control signal using the variable transmission rate that is dependent upon the total light intensity in the space. The variable transmission rate may be dependent upon an amount of change of the total light intensity in the space. In addition, the variable transmission rate may be further dependent upon a rate of change of the total light intensity in the space.

68 Claims, 19 Drawing Sheets

Related U.S. Application Data

filed on Apr. 30, 2009, provisional application No. 61/285,628, filed on Dec. 11, 2009.

(51) **Int. Cl.**

G01J 1/32 (2006.01)
G01J 1/44 (2006.01)
H05B 37/02 (2006.01)
G01J 1/16 (2006.01)

(52) **U.S. Cl.**

CPC **G01J 1/0247** (2013.01); **G01J 1/16** (2013.01); **G01J 1/32** (2013.01); **G01J 1/44** (2013.01); **H05B 37/02** (2013.01); **H05B 37/0218** (2013.01); **H05B 37/0272** (2013.01); **Y02B 20/46** (2013.01)

(58) **Field of Classification Search**

CPC ... G01J 1/32; H05B 37/0272; H05B 37/0218; H05B 37/02
 See application file for complete search history.

(56)

References Cited

U.S. PATENT DOCUMENTS

5,455,487	A	10/1995	Mix et al.
5,589,741	A	12/1996	Terman et al.
5,736,965	A	4/1998	Mosebrook et al.
5,808,294	A	9/1998	Neumann
5,838,226	A	11/1998	Hougy et al.
5,848,054	A	12/1998	Mosebrook et al.
5,905,442	A	5/1999	Mosebrook et al.
5,962,989	A	10/1999	Baker
5,982,103	A	11/1999	Mosebrook et al.
6,340,864	B1 *	1/2002	Wacyk H05B 37/02 315/158
6,583,573	B2	6/2003	Bierman
6,687,487	B1	2/2004	Mosebrook et al.
6,803,728	B2	10/2004	Balasubramaniam et al.
7,024,119	B1	4/2006	Mier-Langner et al.
7,027,736	B1	4/2006	Mier-Langner et al.

7,045,968	B1	5/2006	Bierman et al.
7,111,952	B2	9/2006	Veskovic
7,190,126	B1	3/2007	Paton
7,193,201	B2	3/2007	Motte
7,211,968	B2 *	5/2007	Adamson et al. 315/295
7,277,930	B2	10/2007	Hillis et al.
7,301,477	B2 *	11/2007	Isoyama H04Q 9/00 340/539.19
7,369,060	B2	5/2008	Veskovic et al.
7,573,208	B2	8/2009	Newman, Jr.
7,646,029	B2 *	1/2010	Mueller et al. 257/84
7,940,167	B2	5/2011	Steiner et al.
8,009,042	B2	8/2011	Steiner et al.
8,033,686	B2 *	10/2011	Recker et al. 362/249.02
8,199,010	B2 *	6/2012	Sloan et al. 340/541
8,228,184	B2	7/2012	Blakeley et al.
8,410,706	B2	4/2013	Steiner et al.
8,417,388	B2	4/2013	Altonen et al.
8,451,116	B2	5/2013	Steiner et al.
8,723,447	B2	5/2014	Steiner
8,760,293	B2	6/2014	Steiner
9,089,013	B2	7/2015	Steiner
2003/0178554	A1	9/2003	Zak
2004/0071471	A1	4/2004	Baker et al.
2004/0206609	A1	10/2004	Tilley
2005/0110416	A1	5/2005	Veskovic
2005/0264415	A1 *	12/2005	Katz G08B 25/06 340/538
2006/0091822	A1	5/2006	Bierman
2008/0017726	A1	1/2008	Neumann
2008/0111491	A1	5/2008	Spira
2008/0291006	A1	11/2008	Kang et al.
2009/0174658	A1 *	7/2009	Blatchley G06F 1/1601 345/158
2009/0206983	A1	8/2009	Knode et al.
2009/0251352	A1	10/2009	Altonen et al.
2010/0052574	A1	3/2010	Blakeley et al.
2010/0052576	A1	3/2010	Steiner et al.
2010/0052894	A1	3/2010	Steiner et al.
2010/0207759	A1	8/2010	Sloan et al.
2010/0244706	A1	9/2010	Steiner et al.
2012/0091213	A1	4/2012	Altonen et al.
2012/0281606	A1	11/2012	Cooney et al.
2013/0234008	A1	9/2013	Steiner
2014/0203713	A1	7/2014	Steiner

OTHER PUBLICATIONS

European Patent Office, International Search Report and Written Opinion for International Patent Application No. PCT/US2010/028298, Dec. 13, 2010, 19 pages.
 Somfy Systems, Inc., Sunis Indoor Wirefree RTS Sun Sensor Brochure, Feb. 2009, 2 pages.
 Somfy Systems, Inc., Sunis Wirefree RTS Light Sensor Programming/Operating/Installation Instructions, Feb. 2009, 4 pages.

* cited by examiner

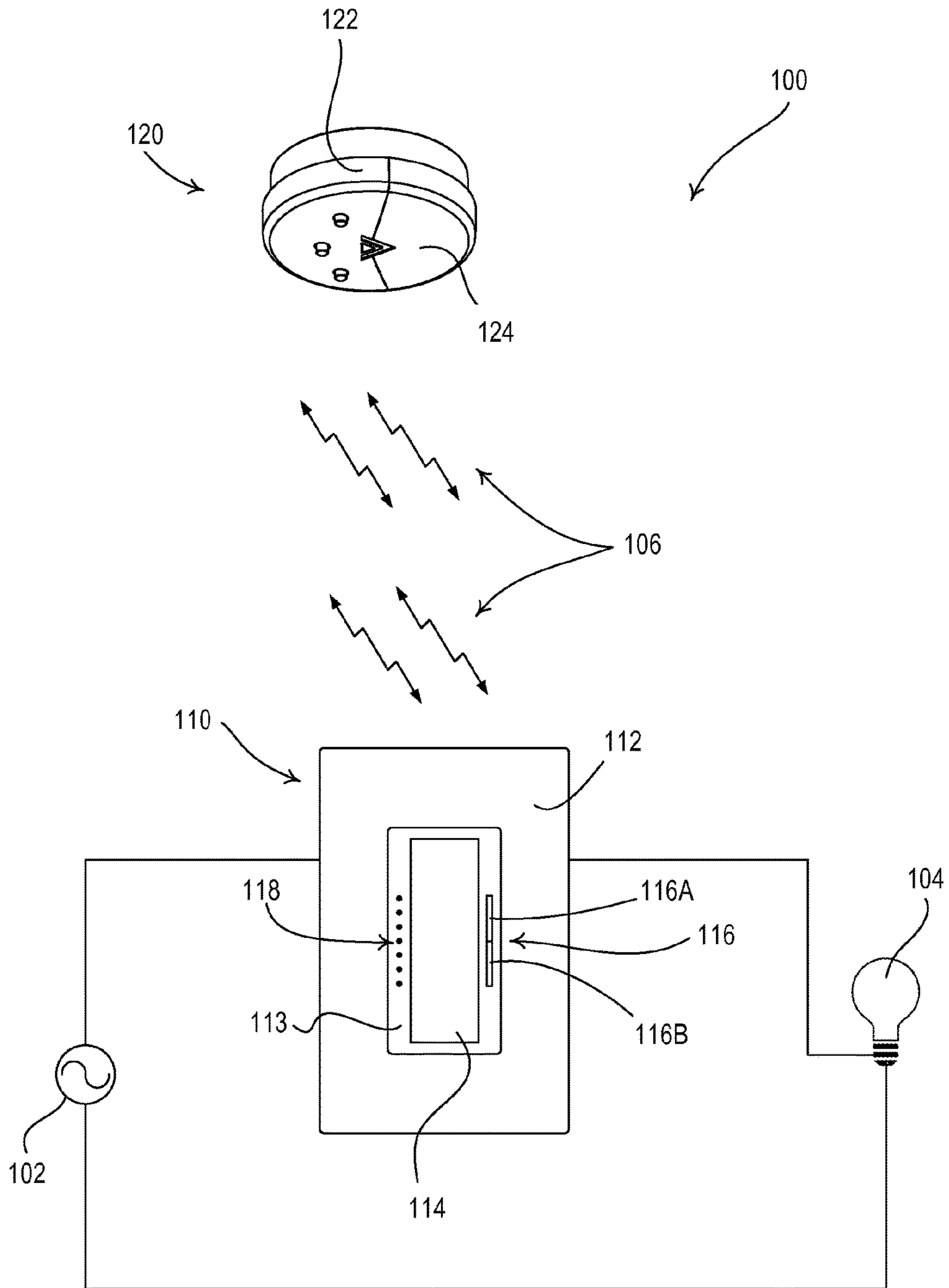


Fig. 1

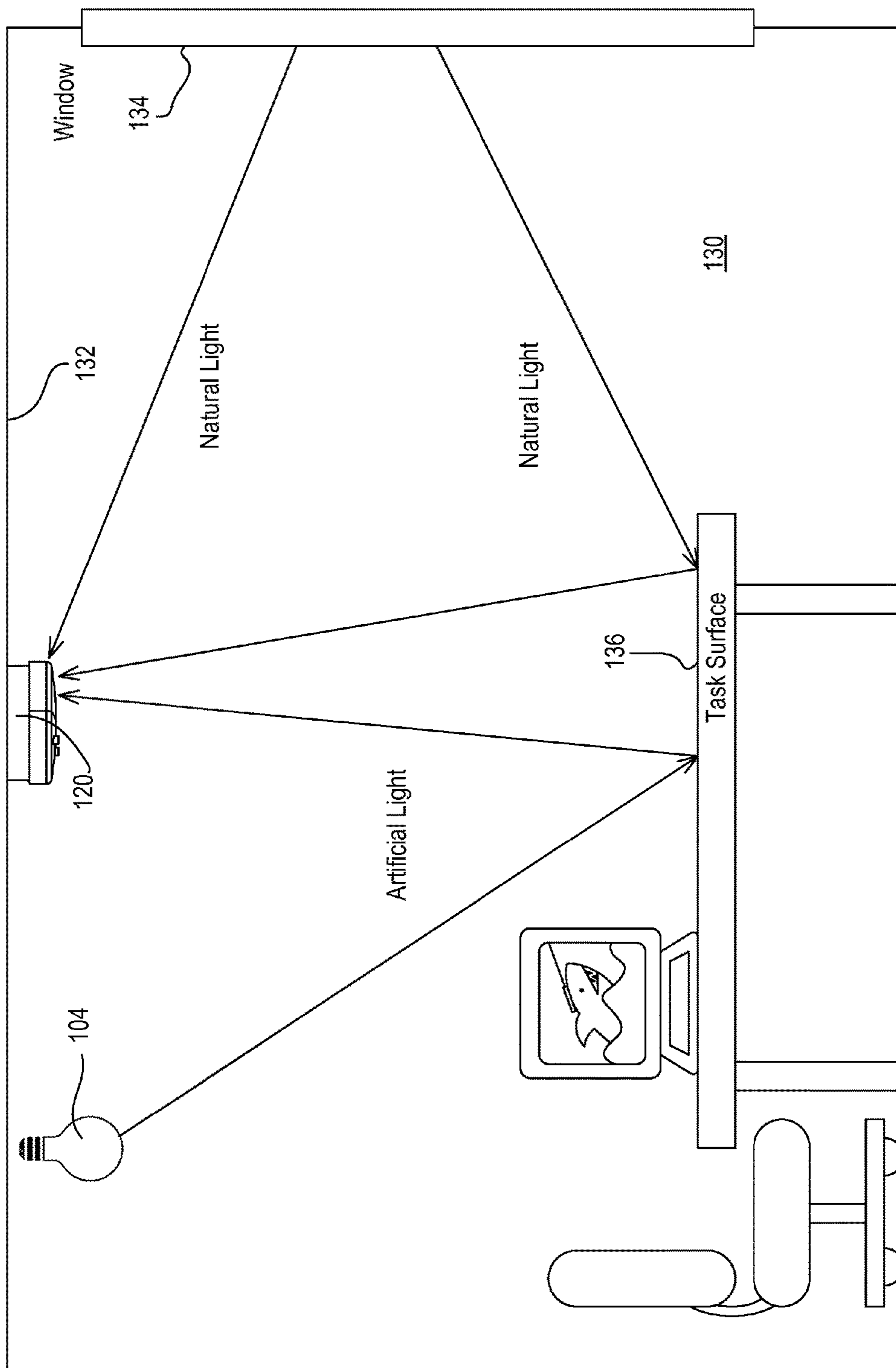


Fig. 2

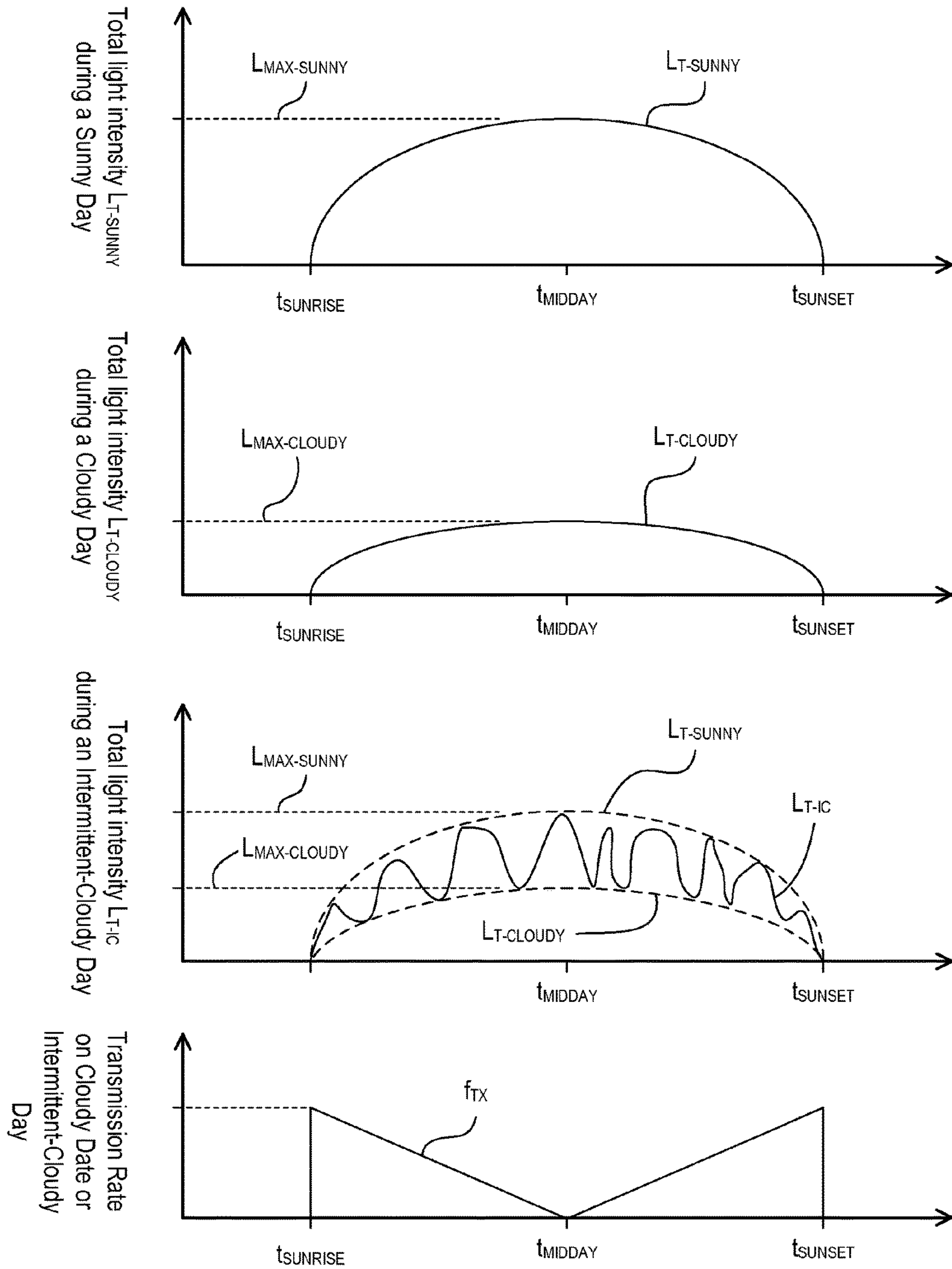


Fig. 3

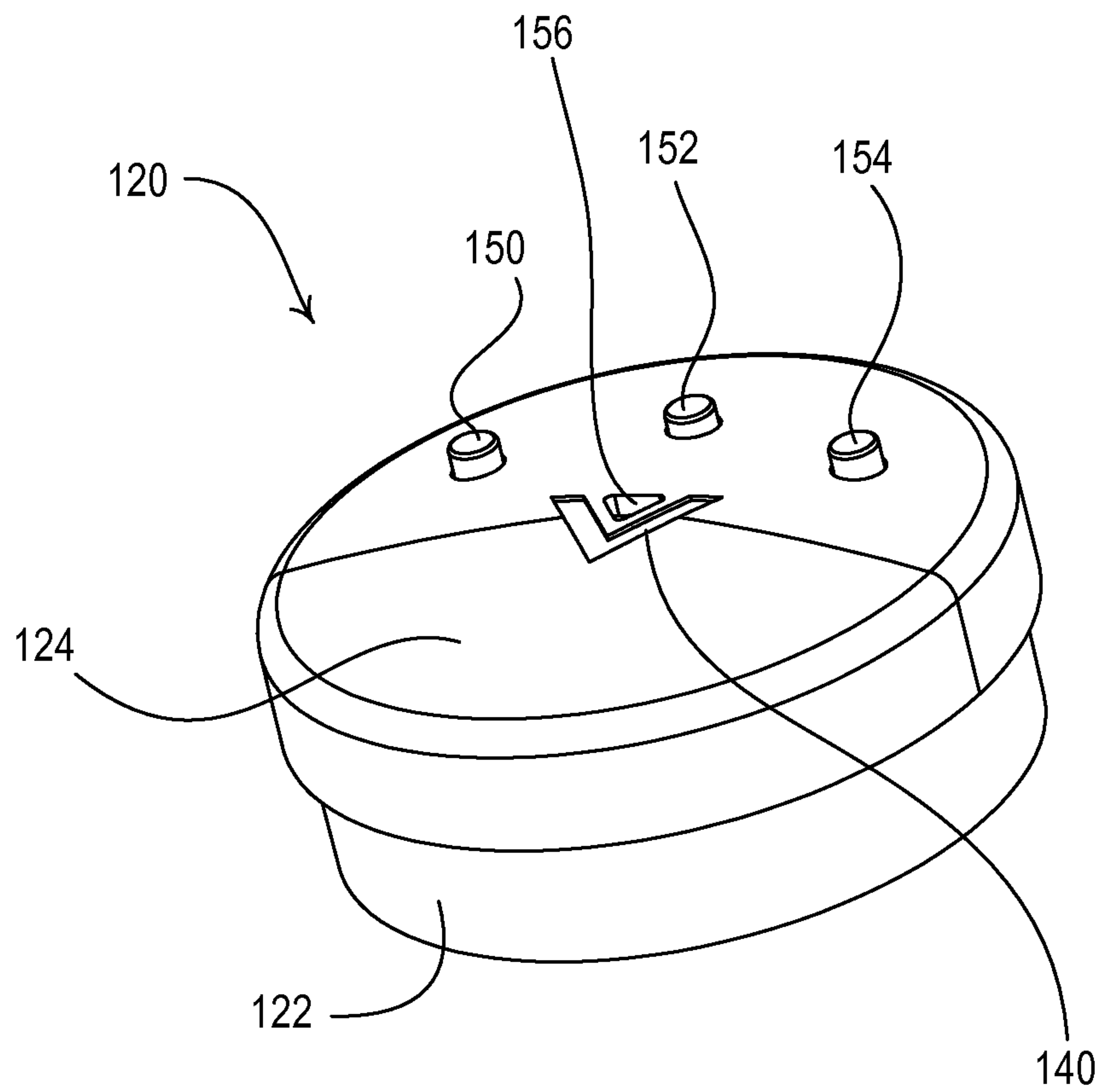


Fig. 4

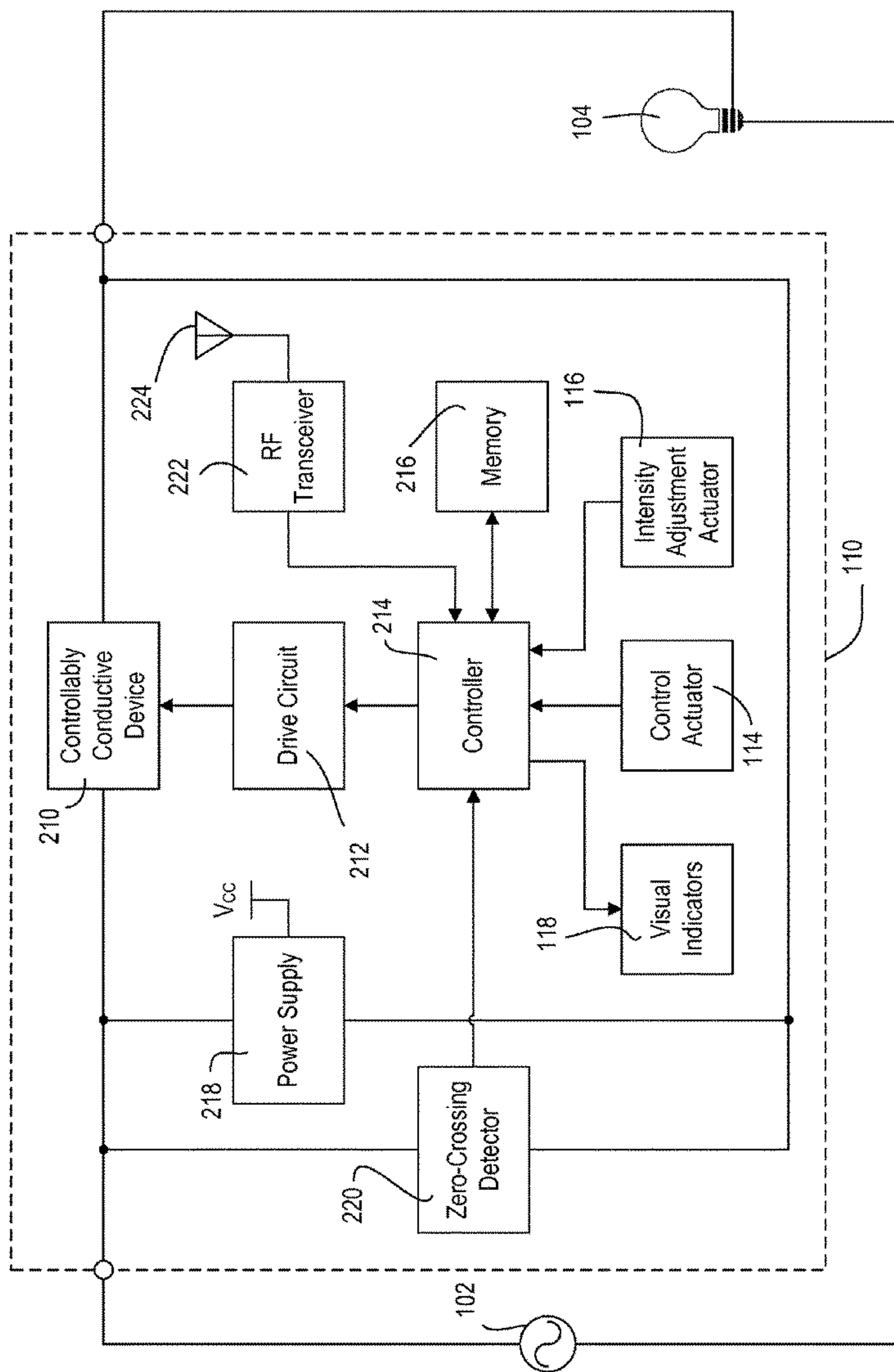


Fig. 5

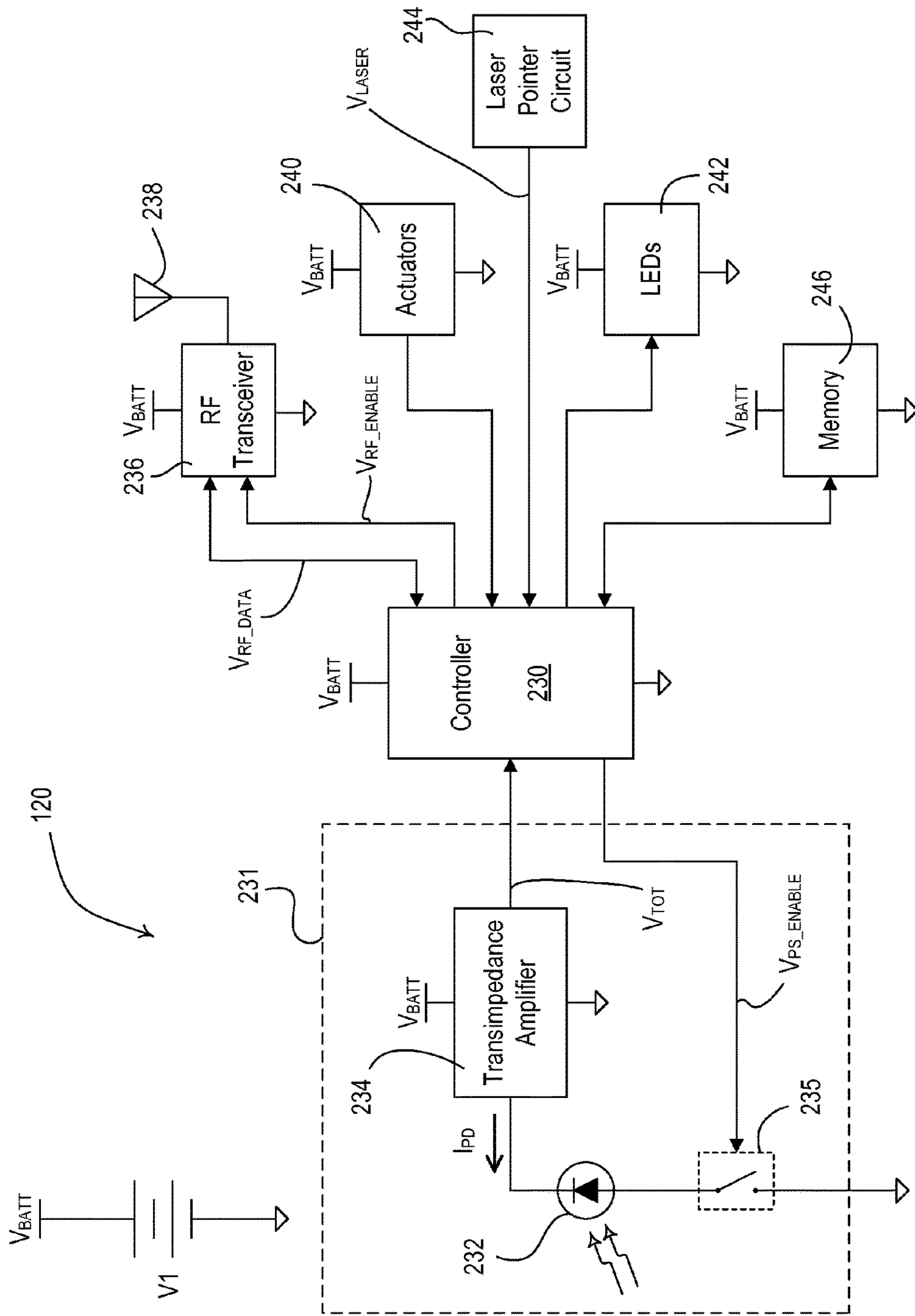


Fig. 6A

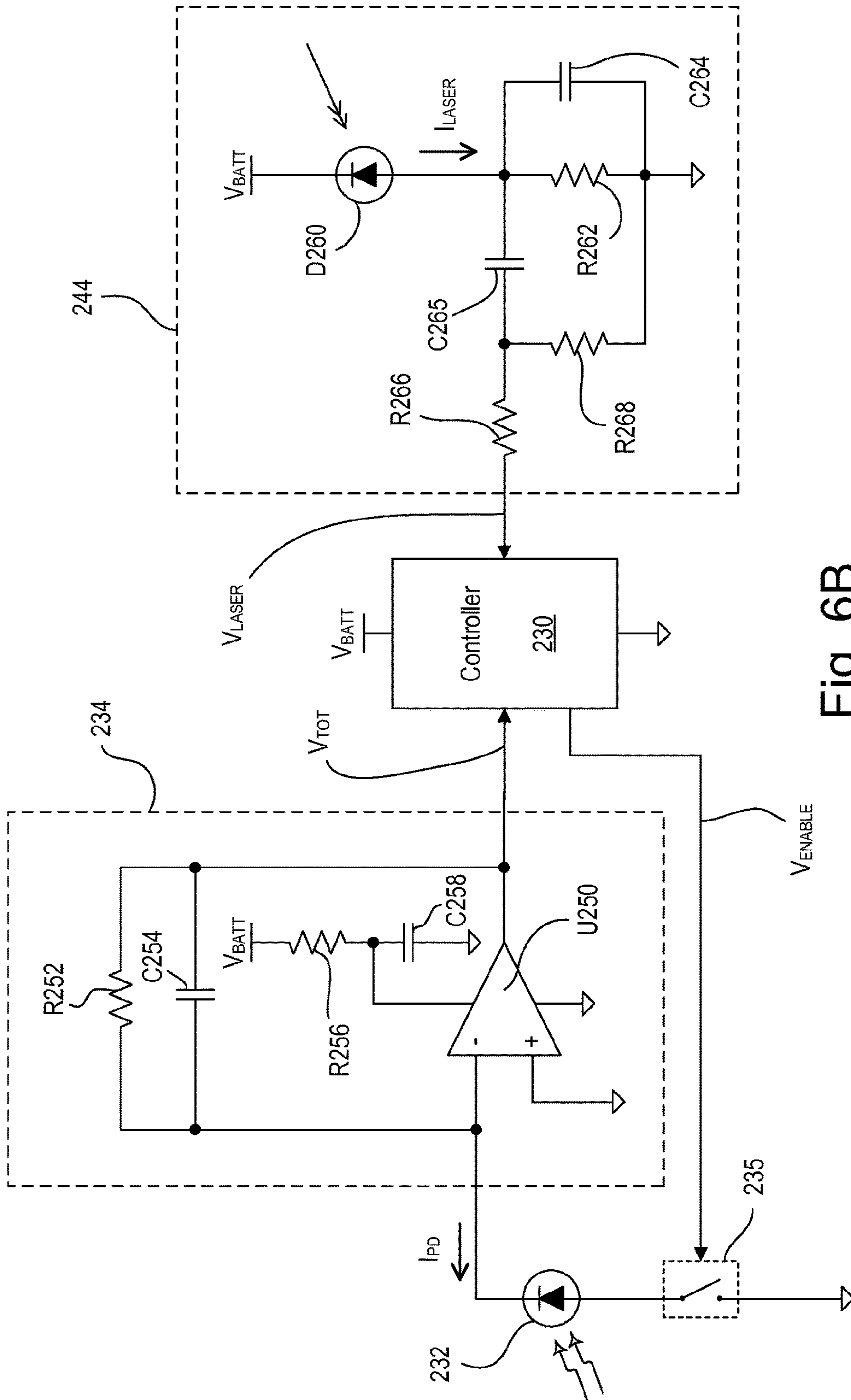


Fig. 6B

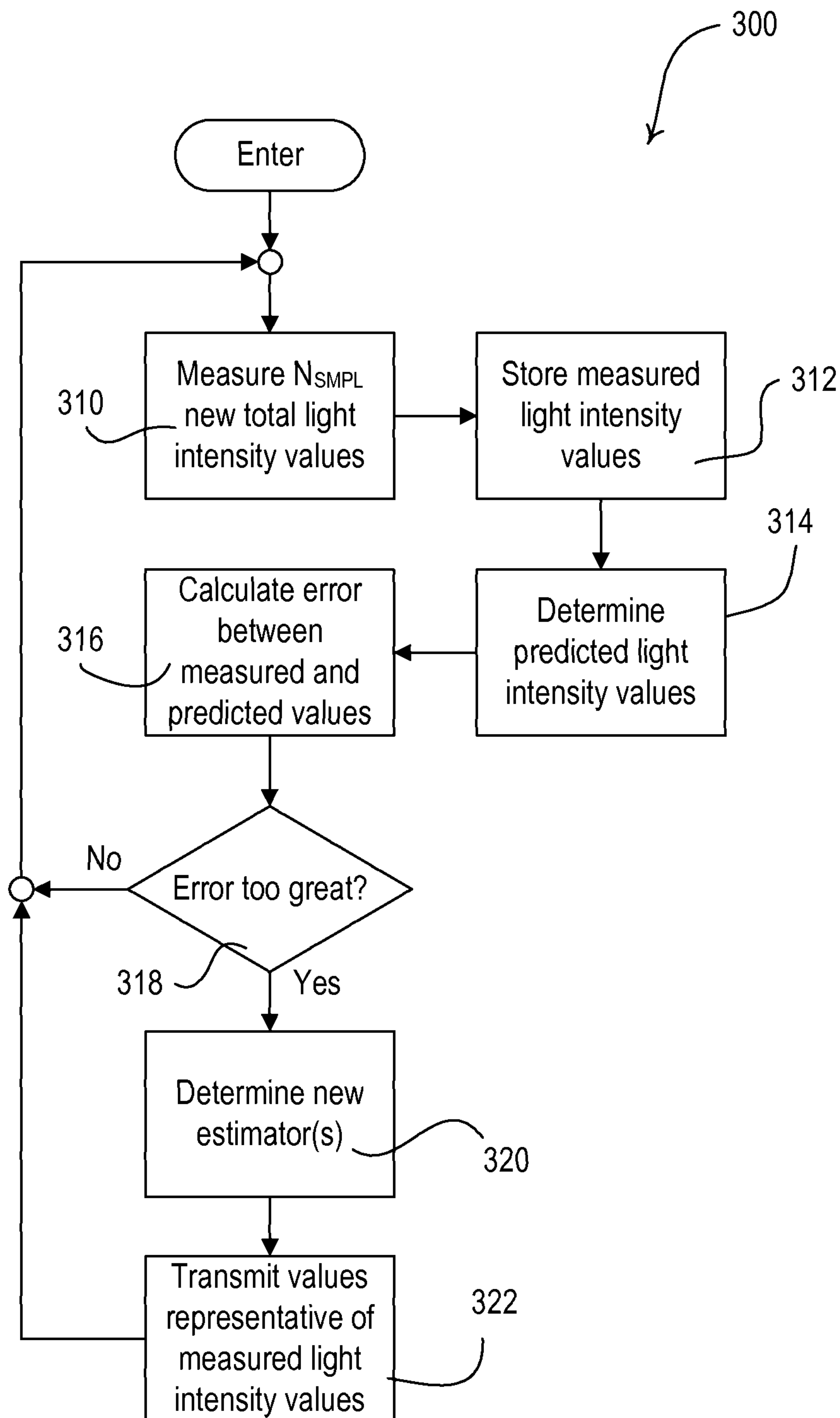


Fig. 7

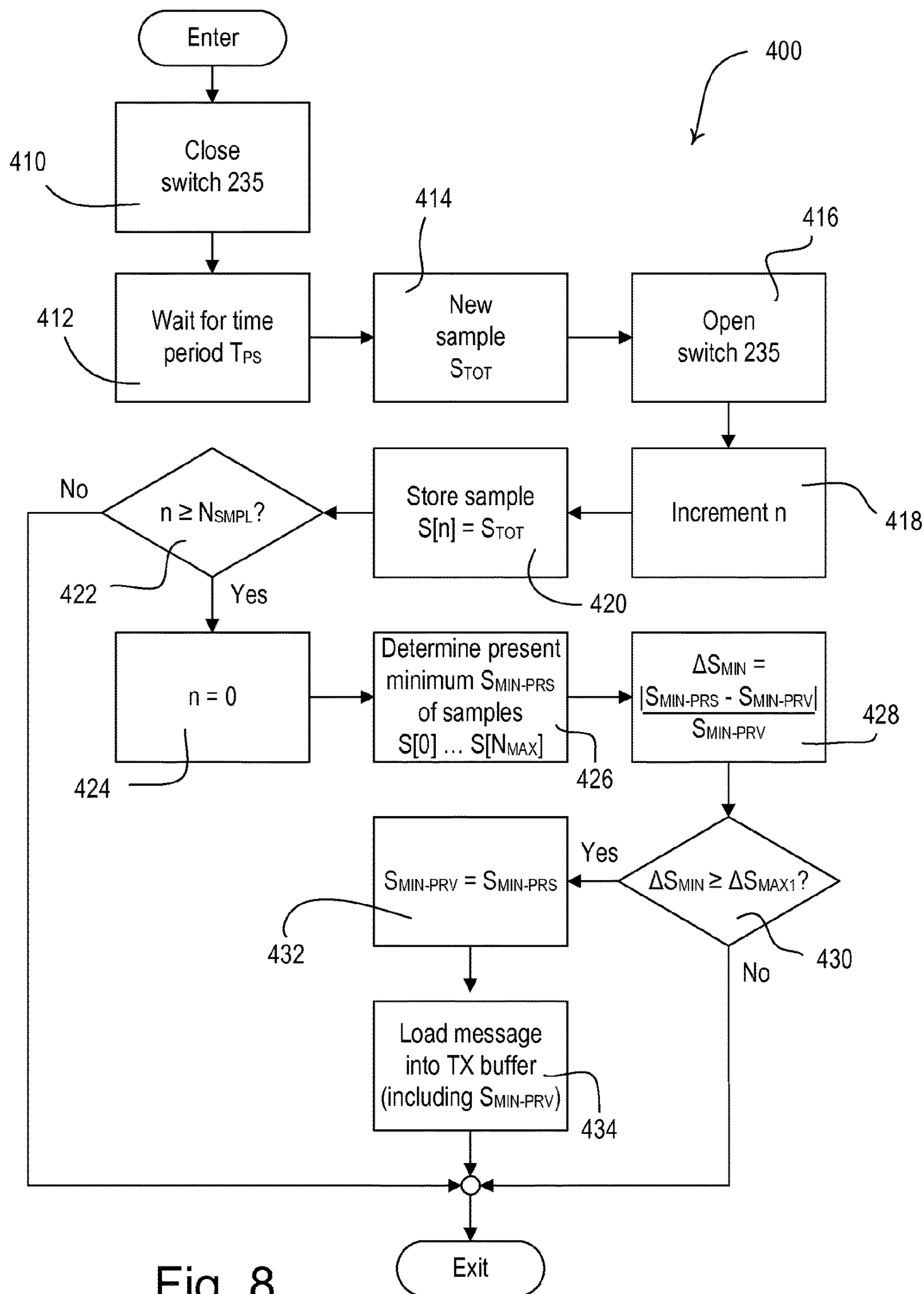


Fig. 8

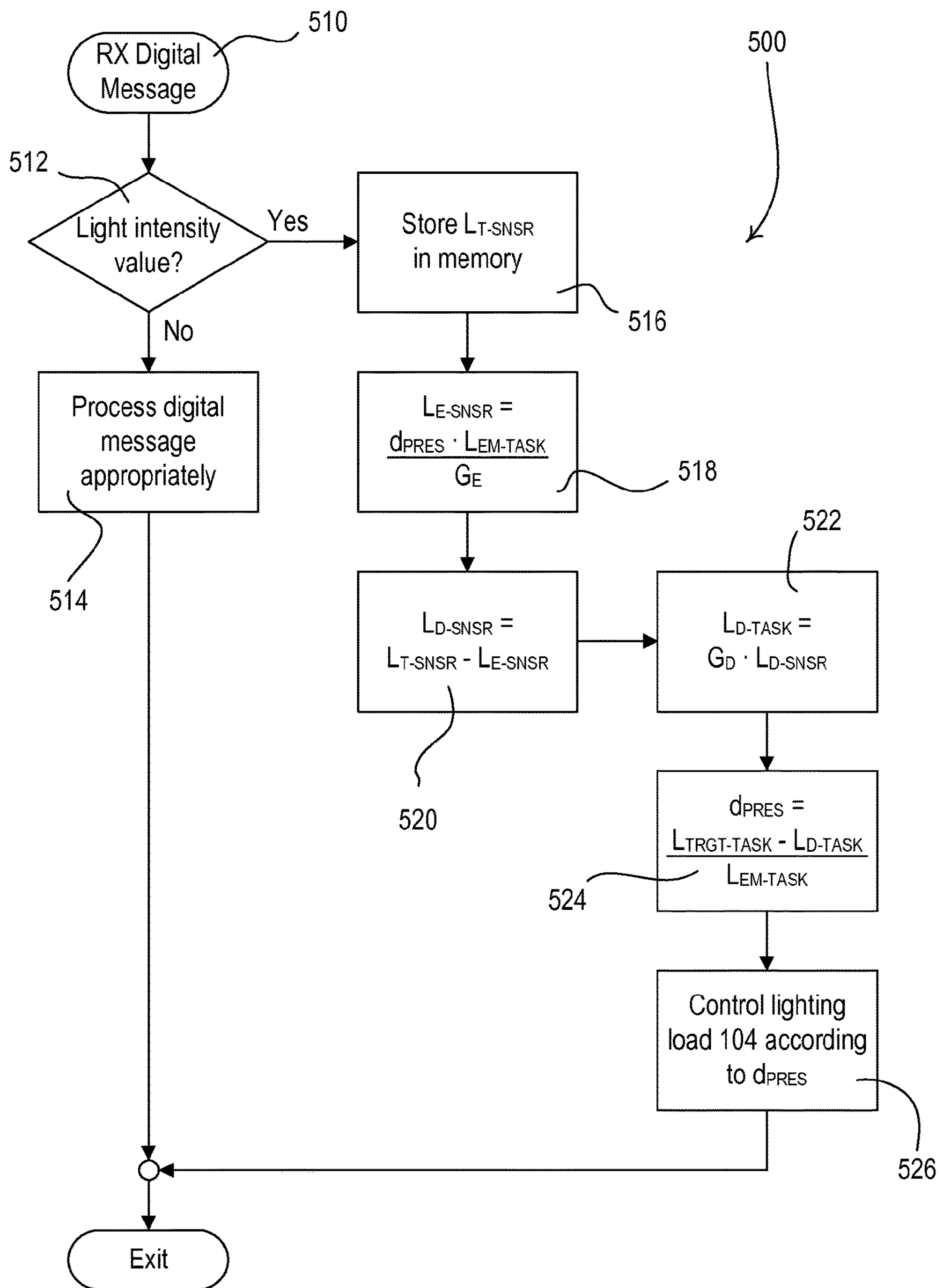


Fig. 9

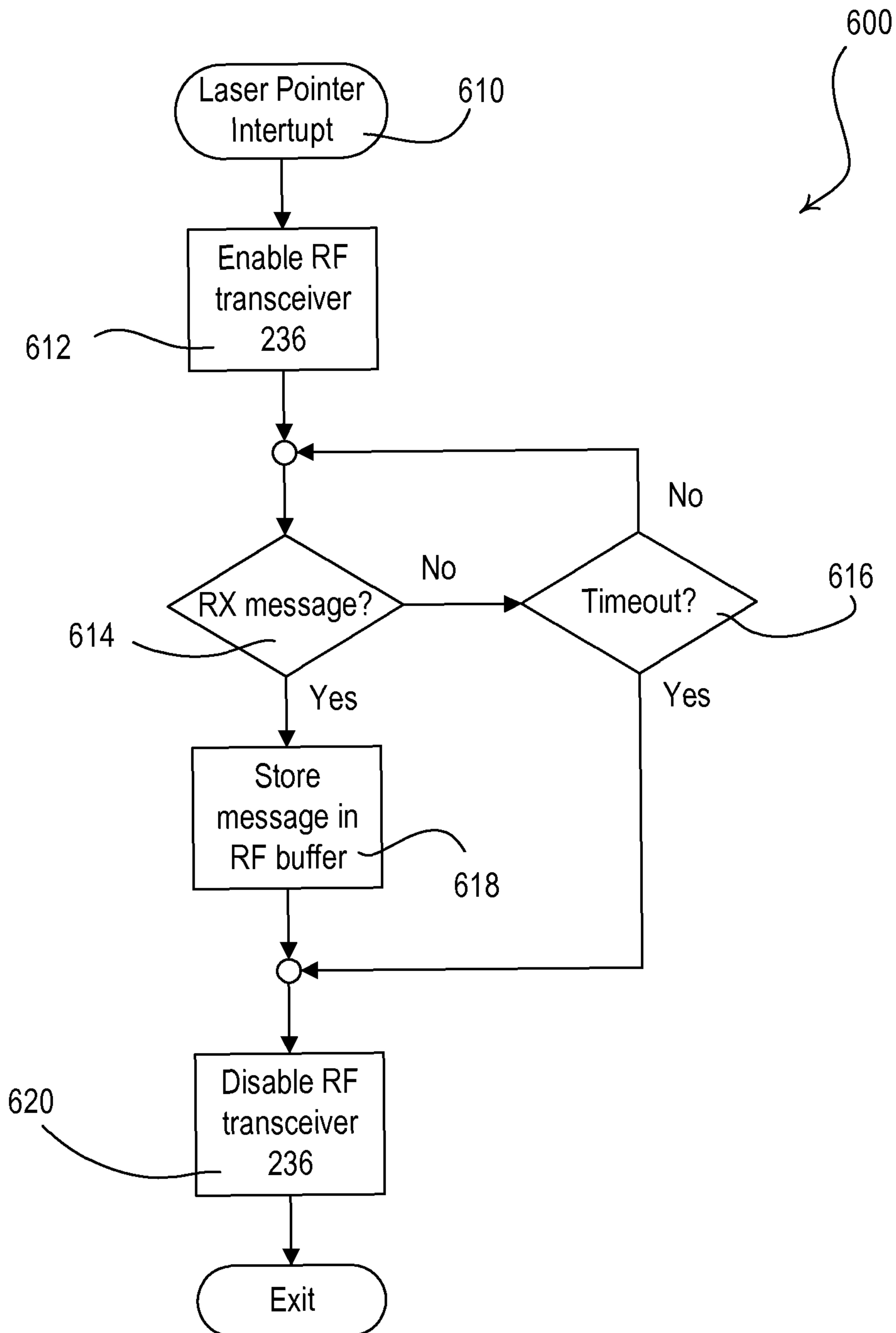


Fig. 10A

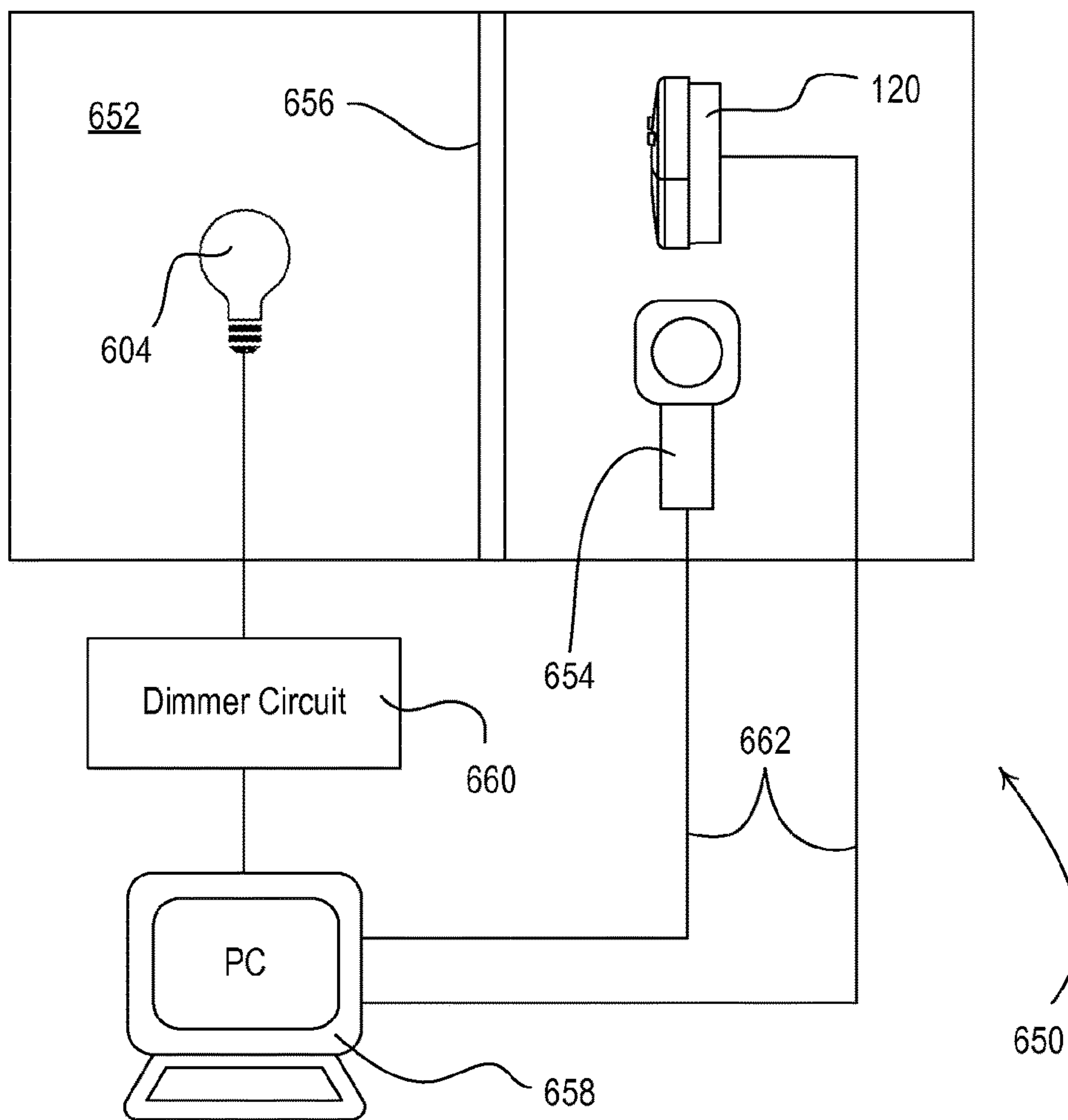


Fig. 10B

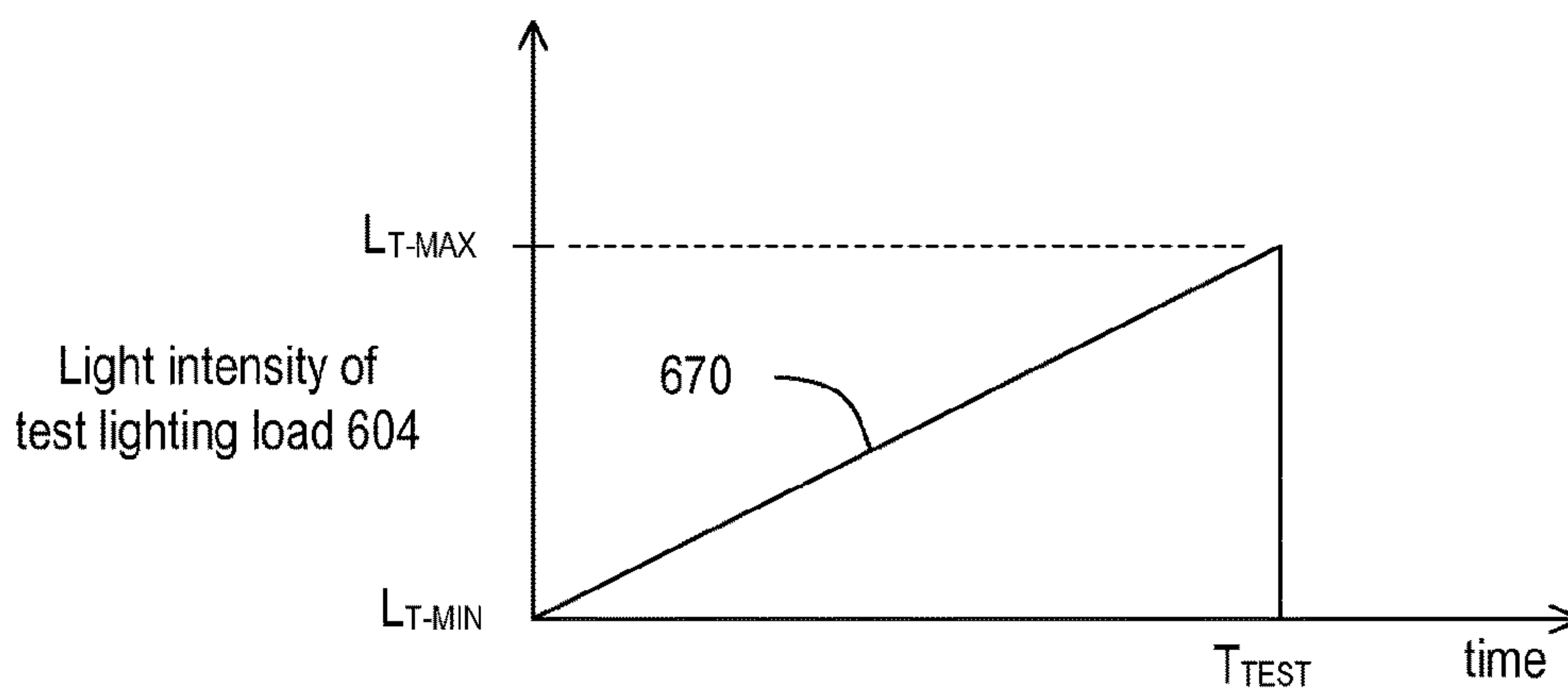


Fig. 10C

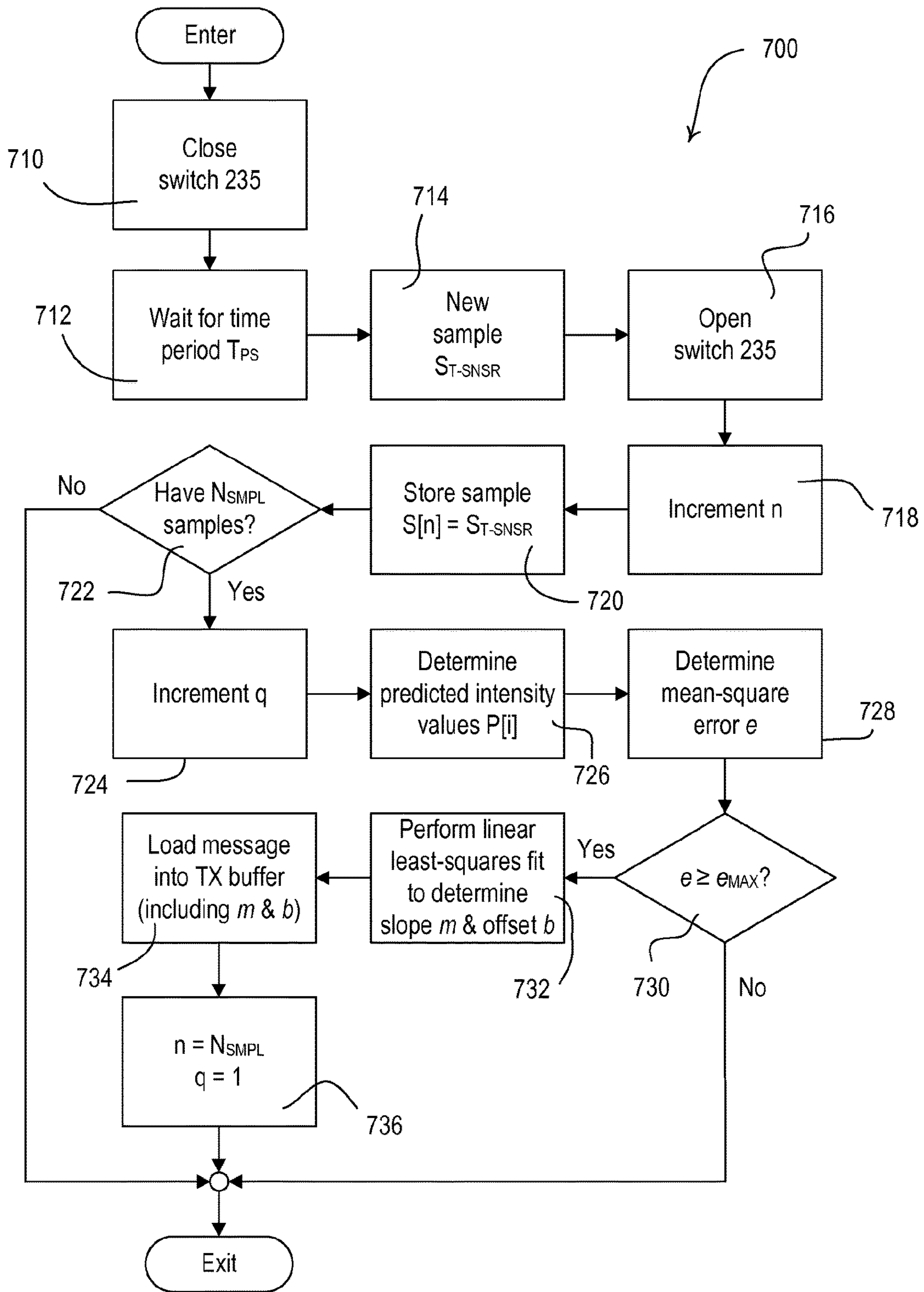


Fig. 11

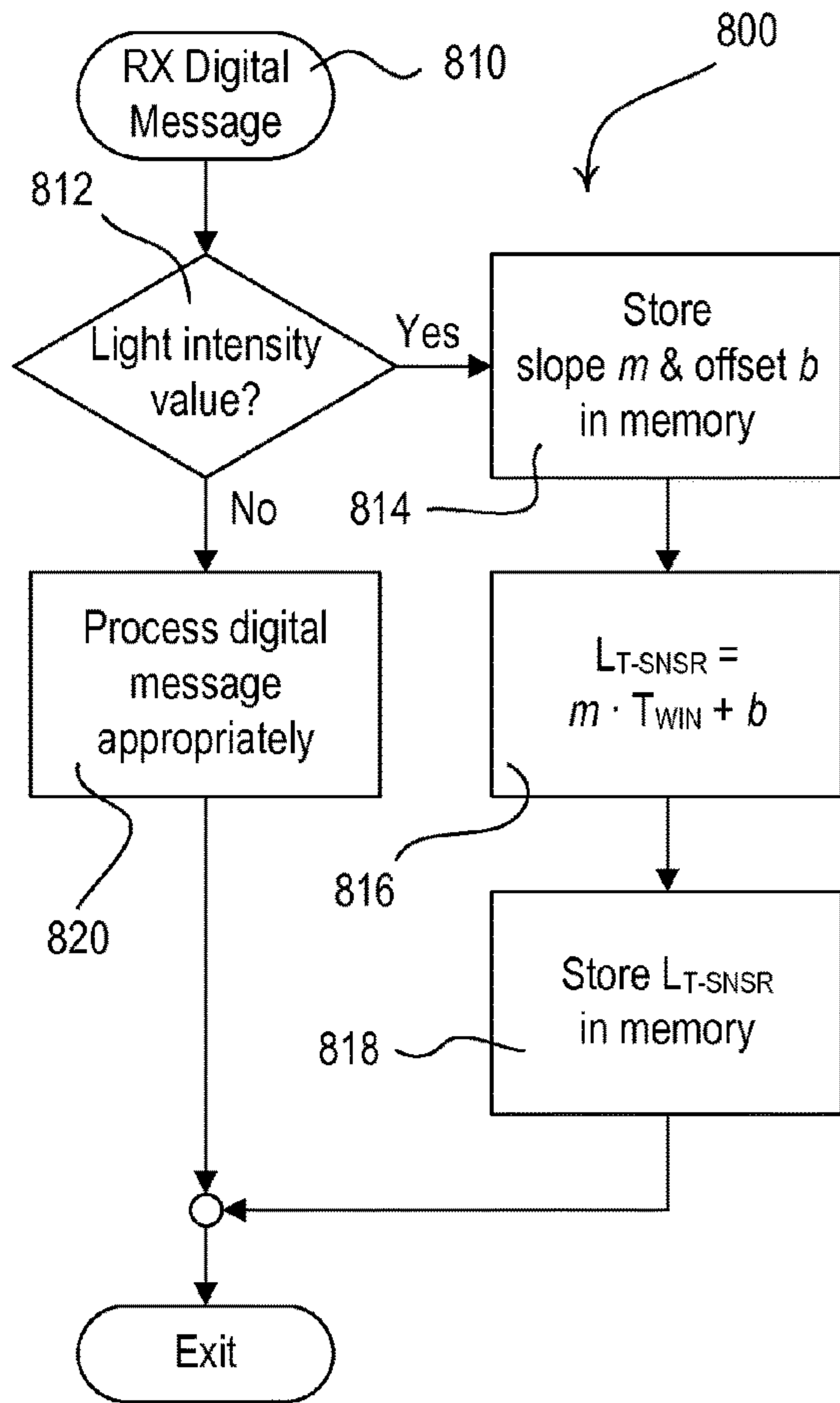


Fig. 12

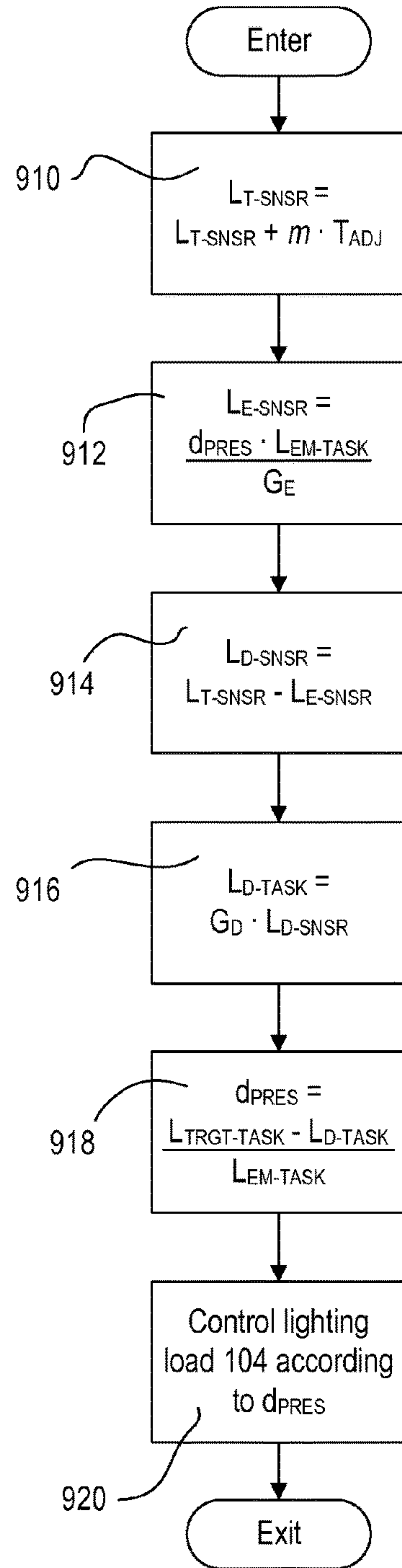


Fig. 13

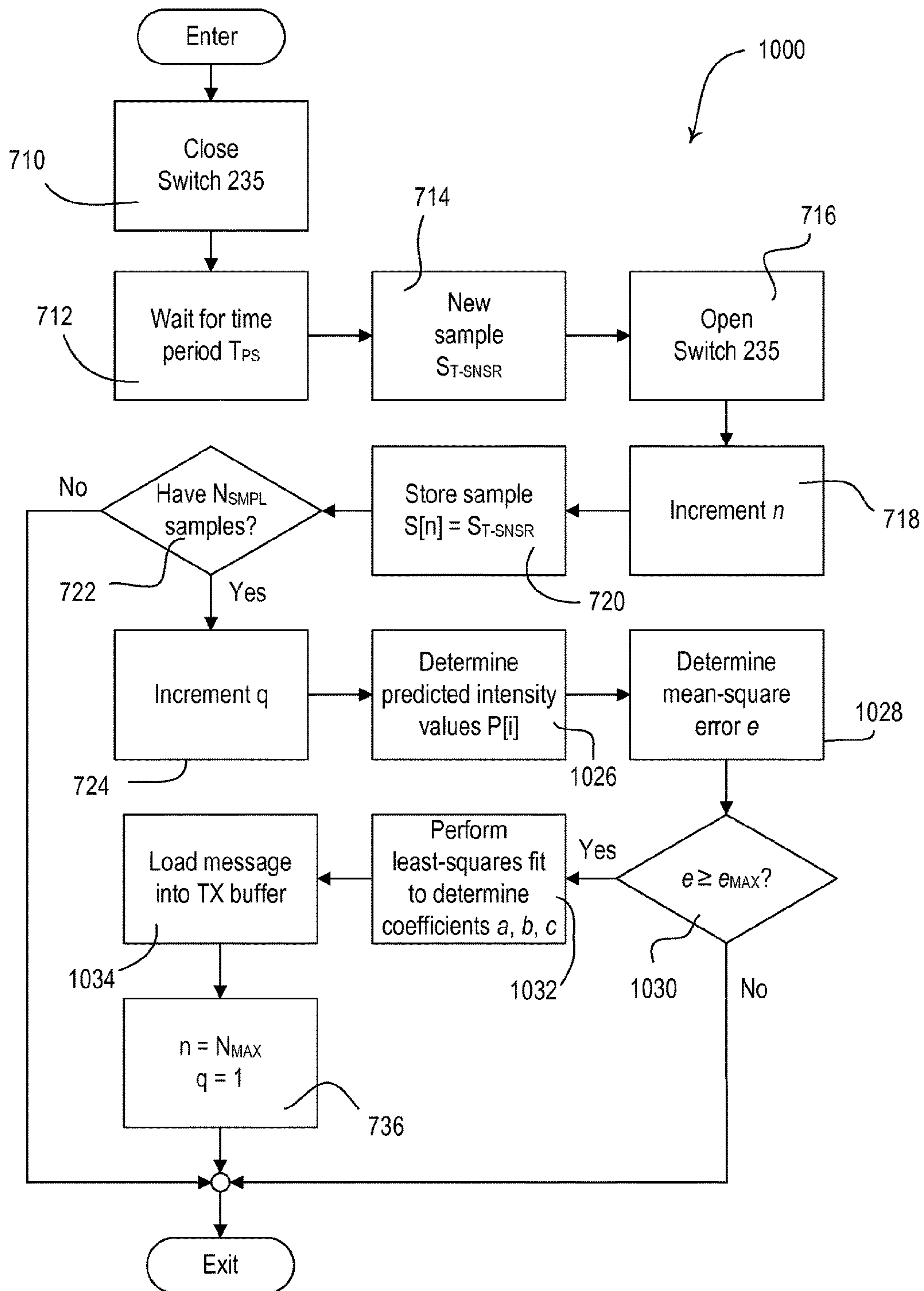


Fig. 14

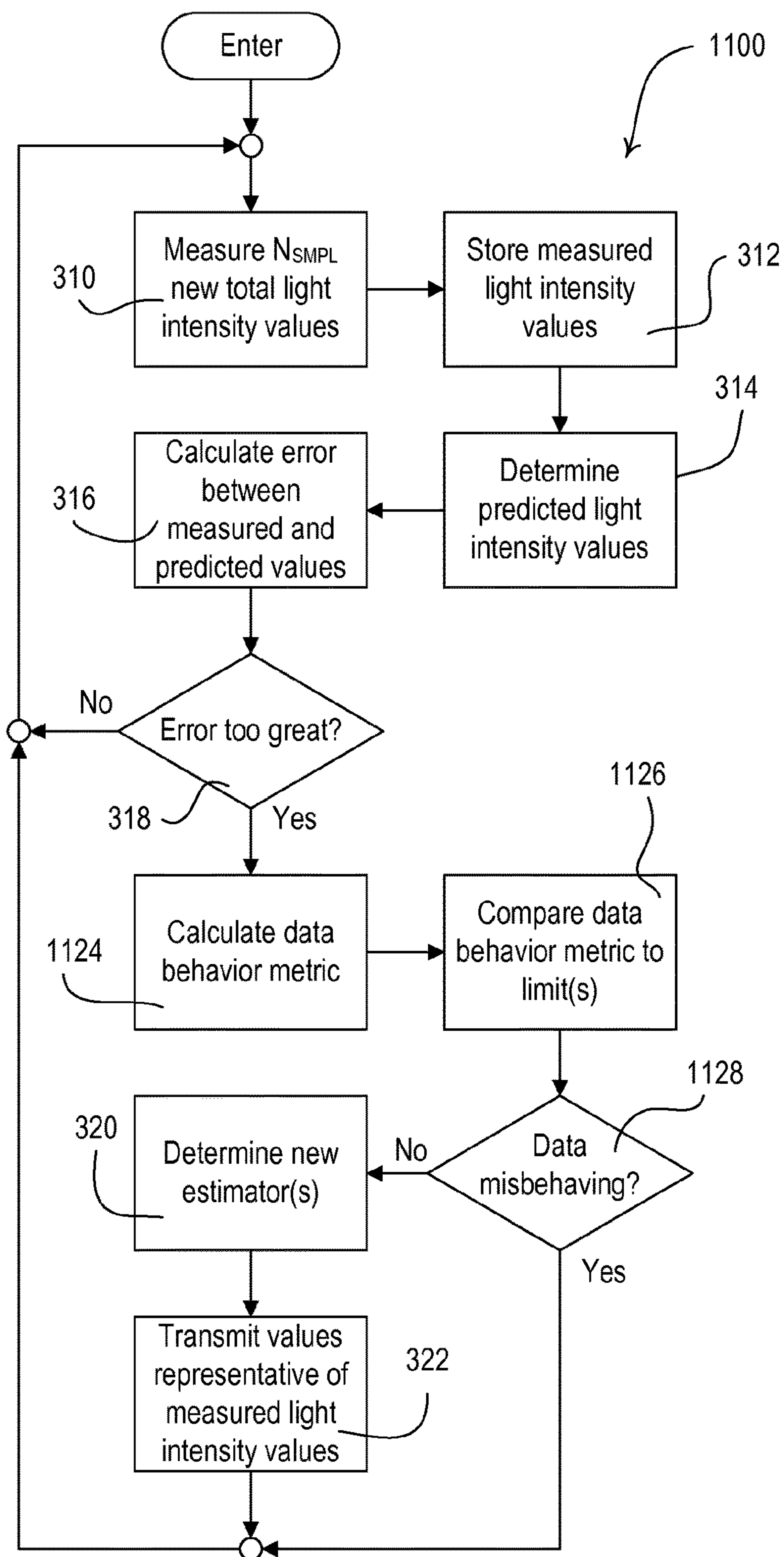


Fig. 15

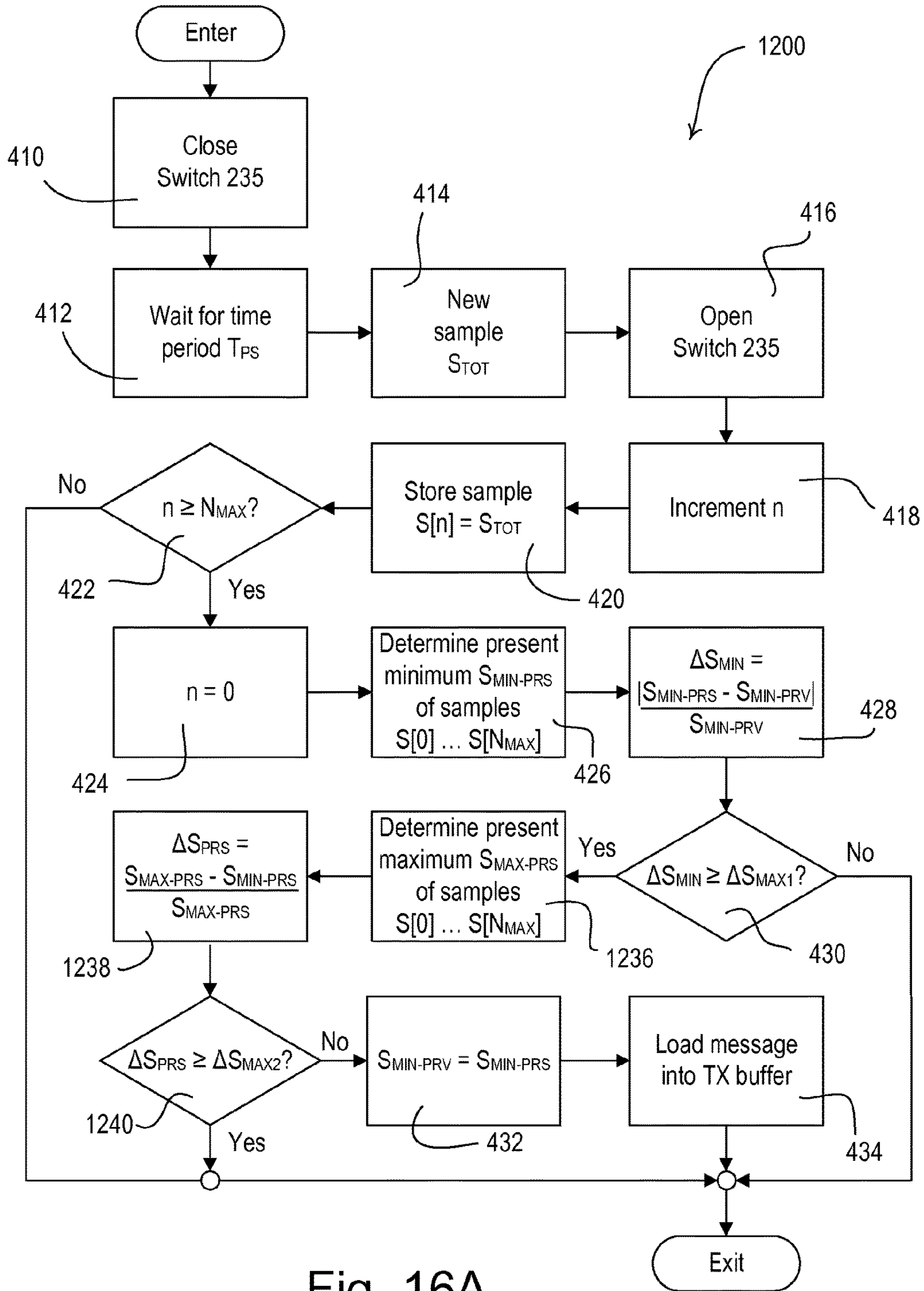


Fig. 16A

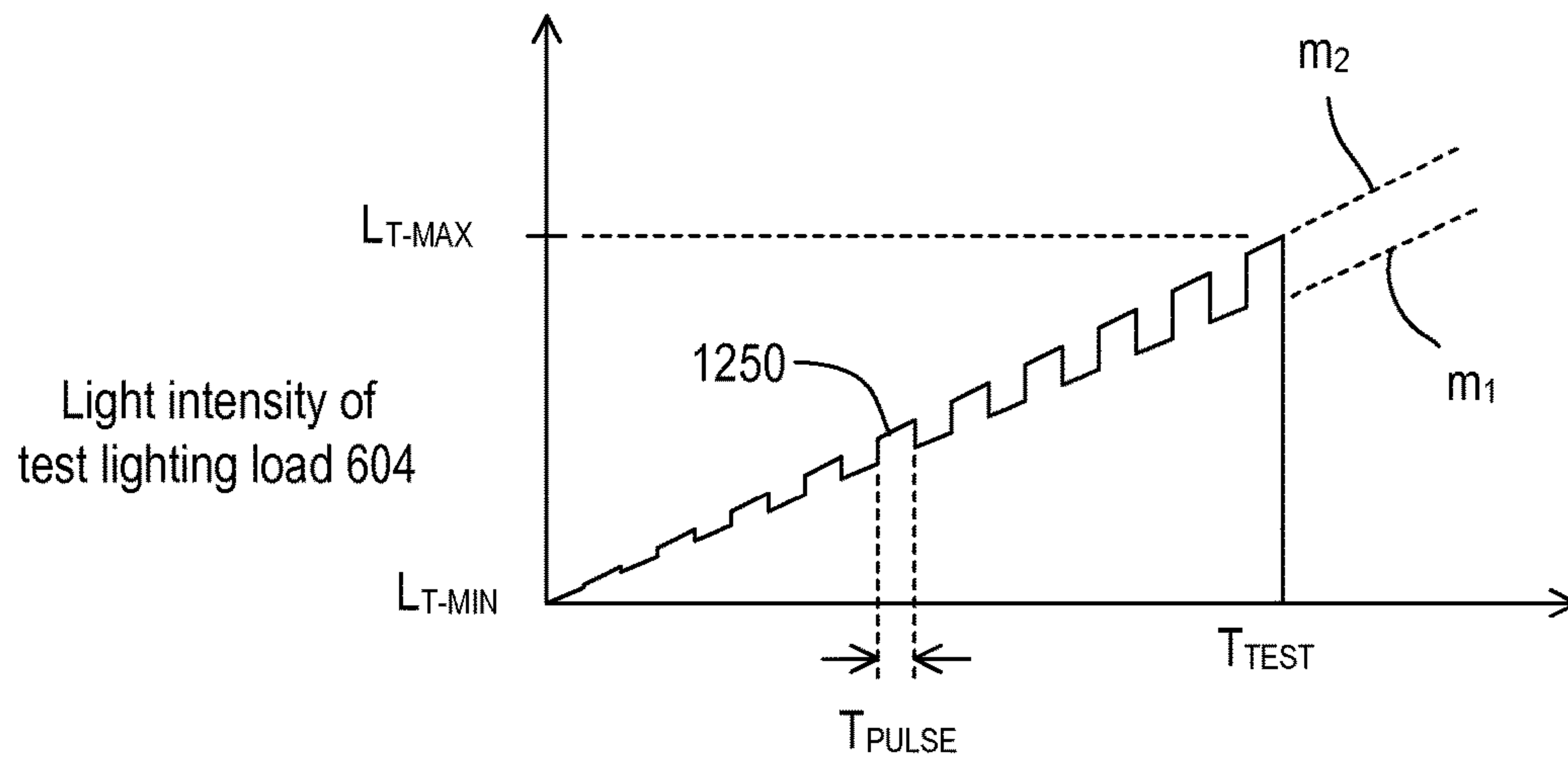


Fig. 16B

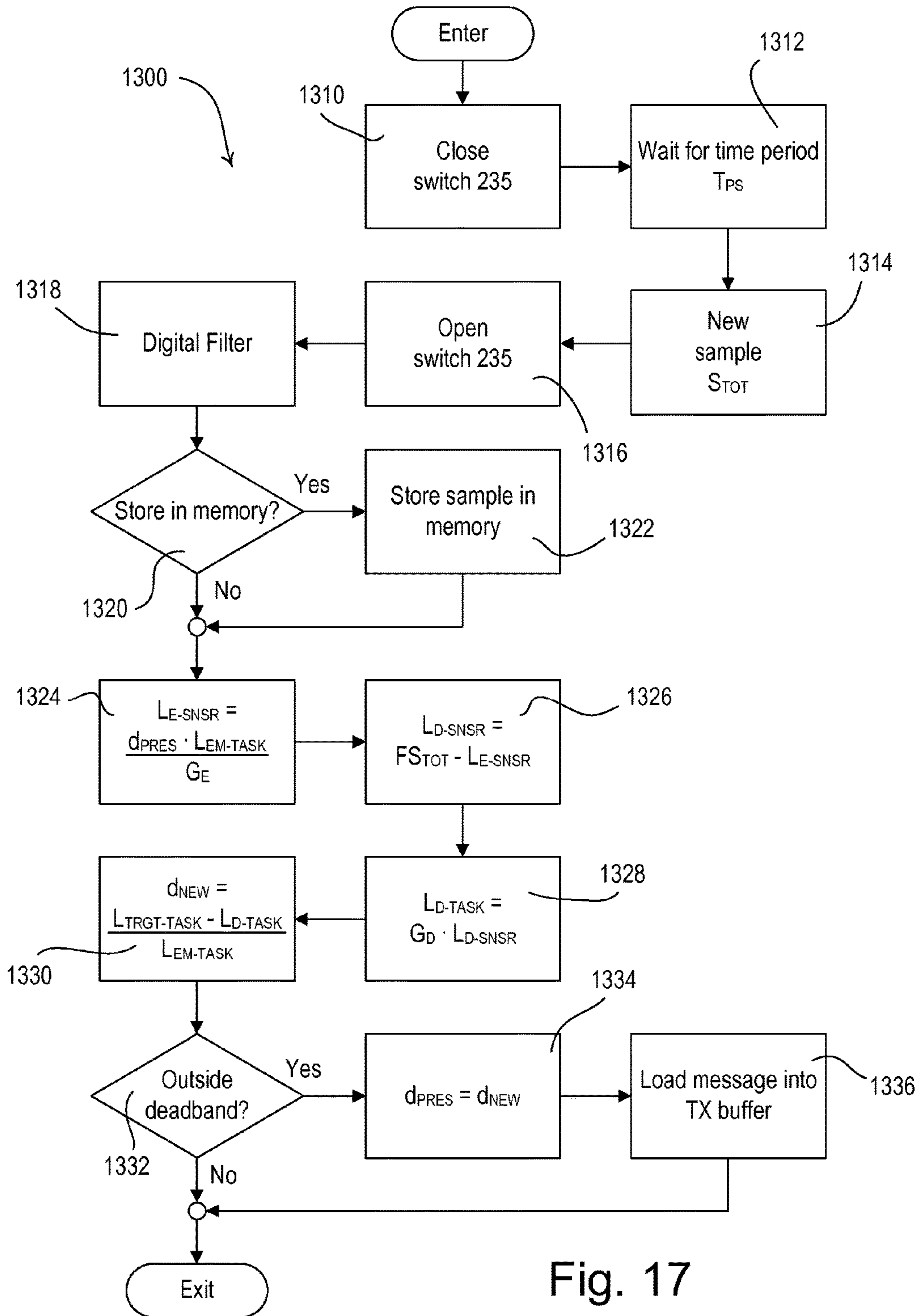


Fig. 17

WIRELESS BATTERY-POWERED DAYLIGHT SENSOR

Matter enclosed in heavy brackets [] appears in the original patent but forms no part of this reissue specification; matter printed in italics indicates the additions made by reissue; a claim printed with strikethrough indicates that the claim was canceled, disclaimed, or held invalid by a prior post-patent action or proceeding.

CROSS-REFERENCE TO RELATED APPLICATIONS

This application is a non-provisional application of commonly-assigned U.S. Provisional Application Ser. No. 61/164,098, filed Mar. 27, 2009, entitled METHOD OF CALIBRATING A DAYLIGHT SENSOR, U.S. Provisional Application Ser. No. 61/174,322, filed Apr. 30, 2009, entitled WIRELESS BATTERY-POWERED DAYLIGHT SENSOR, and U.S. Provisional Application Ser. No. 61/285,628, filed Dec. 11, 2009, entitled WIRELESS BATTERY-POWERED DAYLIGHT SENSOR, the entire disclosures of which are hereby incorporated by reference.

BACKGROUND OF THE INVENTION

1. Field of the Invention

The present invention relates to daylight sensors for measuring the ambient light level (i.e., the total light intensity) in a space, and more particularly, to a lighting control system having a lighting control device (such as a dimmer switch) and a wireless, battery-powered daylight sensor.

2. Description of the Related Art

Many rooms in both residential and commercial buildings are illuminated by both artificial light from a lighting load, such as an incandescent lamp or a fluorescent lamp, and daylight (i.e., sunlight) shining through a window. Daylight sensors (i.e., photosensors) are often used to measure the total light intensity in a space in order to adjust the light intensity of the lighting load to thus adjust the total light intensity in the space. For example, the light intensity of the lighting load may be decreased as the total light intensity increases, and vice versa. Daylight sensors are typically mounted to a ceiling in the space at a distance from the window. Since electrical wires (for power and communication) are typically not located near the position on the ceiling to which the daylight sensor must be mounted, it is desirable that the daylight sensor be "wireless" in order to avoid the need to run electrical wires to the daylight sensor (for example, in a retro-fit installation). Therefore, there is a need for a battery-powered daylight sensor that is able to communicate wirelessly with a load control device, such as a dimmer switch.

SUMMARY OF THE INVENTION

According to an embodiment of the present invention, a wireless battery-powered daylight sensor for measuring a total light intensity in a space is operable to transmit wireless signals using a variable transmission rate that is dependent upon the total light intensity in the space. The sensor comprises a photosensitive circuit, a wireless transmitter for transmitting the wireless signals, a controller coupled to the photosensitive circuit and the wireless transmitter, and a battery for powering the photosensitive circuit, the wireless transmitter, and the controller. The photosensitive circuit is

operable to generate a light intensity control signal in response to the total light intensity in the space. The controller transmits the wireless signals in response to the light intensity control signal using the variable transmission rate that is dependent upon the total light intensity in the space. The variable transmission rate may be dependent upon an amount of change of the total light intensity in the space. In addition, the variable transmission rate may be further dependent upon a rate of change of the total light intensity in the space.

According to another embodiment of the present invention, a wireless battery-powered daylight sensor for measuring a total light intensity in a space comprises a photosensitive circuit operable to generate a light intensity control signal in response to the total light intensity in the space, a wireless transmitter for transmitting wireless signals, a controller coupled to the photosensitive circuit and the wireless transmitter, and a battery for powering the photosensitive circuit, the wireless transmitter, and the controller. The controller is operable to transmit a wireless signal in response to the light intensity control signal, and is operable to disable the photosensitive circuit, such that the photosensitive circuit does not draw current from the battery. In addition, the photosensitive circuit may comprise a photosensitive diode for conducting a photosensitive diode current having a magnitude responsive to the light intensity in the space, where the magnitude of the light intensity control signal is responsive to the magnitude of the photosensitive diode current. The photosensitive circuit may further comprise a controllable switch coupled in series with the photosensitive diode, such that the photosensitive diode conducts the photosensitive diode current when the switch is closed. The controller may be coupled to the switch for opening the switch, such that the photosensitive diode does not conduct the photosensitive diode current and the photosensitive circuit is disabled.

According to yet another embodiment of the present invention, a wireless battery-powered daylight sensor for measuring a total light intensity in a space operates as part of a lighting control system that comprises a dimmer switch for controlling the amount of power delivered to a lighting load. The sensor comprises a photosensitive circuit operable to generate a light intensity control signal in response to the total light intensity in the space, a wireless transmitter for transmitting wireless signals, a controller coupled to the photosensitive circuit and the wireless transmitter, and a battery for powering the photosensitive circuit, the wireless transmitter, and the controller. The controller is operable to determine, in response to the light intensity control signal, a new light intensity to which the dimmer switch should control the intensity of the lighting load. The controller is further operable to enable the wireless transmitter and to transmit to the dimmer switch a wireless signal including a command that includes the new light intensity for the lighting load if the new light intensity differs from a present light intensity of the lighting load by a predetermined increment.

According to another aspect of the present invention, a wireless battery-powered daylight sensor for measuring a total light intensity in a space comprises a photosensitive circuit operable to generate a light intensity control signal in response to the total light intensity in the space, a wireless transceiver for transmitting and receiving wireless signals, a laser pointer circuit adapted to be exposed to light from a laser pointer, a controller coupled to the photosensitive circuit, the wireless transceiver, and the laser pointer circuit, and a battery for powering the photosensitive circuit, the

wireless transceiver, and the controller. The controller is operable to transmit a wireless signal in response to the light intensity control signal. The controller is further operable to enable the wireless transceiver in response to light from a laser pointer shining on the laser pointer circuit, and to subsequently receive a wireless signal.

Other features and advantages of the present invention will become apparent from the following description of the invention that refers to the accompanying drawings.

BRIEF DESCRIPTION OF THE DRAWINGS

The invention will now be described in greater detail in the following detailed description with reference to the drawings in which:

FIG. 1 is a simple diagram of a radio-frequency (RF) lighting control system comprising a dimmer switch and a daylight sensor according to the present invention;

FIG. 2 is a simplified diagram of a room in which the daylight sensor of FIG. 1 may be mounted;

FIG. 3 shows a few example plots of total light intensities at the daylight sensor mounted in the room of FIG. 2 with respect to time during a sunny day, a cloudy day, and an intermittent-cloudy day;

FIG. 4 is an enlarged perspective view of the daylight sensor of FIG. 1;

FIG. 5 is a simplified block diagram of the dimmer switch of FIG. 1;

FIG. 6A is a simplified block diagram of the daylight sensor of FIG. 1;

FIG. 6B is a simplified schematic diagram of the daylight sensor of FIG. 6A;

FIG. 7 is a simplified flowchart of a transmission algorithm executed by a controller of the daylight sensor of FIG. 1 according to a first embodiment of the present invention, such that the daylight sensor transmits digital messages using a variable transmission rate;

FIG. 8 is a simplified flowchart of a variable transmission control procedure executed by the controller of the daylight sensor of FIG. 1 according to the first embodiment of the present invention;

FIG. 9 is a simplified flowchart of a receive procedure executed by a controller of the dimmer switch of FIG. 1 according to the first embodiment of the present invention;

FIG. 10A is a simplified flowchart of a laser pointer interrupt procedure executed by the controller of the daylight sensor of FIG. 1;

FIG. 10B is a diagram of an example test setup for the daylight sensor of FIG. 1 according to the first embodiment of the present invention;

FIG. 10C is a plot of an example test waveform for the daylight sensor of FIG. 1 according to the first embodiment to be used in the test setup shown in FIG. 10B;

FIG. 11 is a simplified flowchart of a variable transmission control procedure executed by the controller of the daylight sensor of FIG. 1 according to a second embodiment of the present invention;

FIG. 12 is a simplified flowchart of a receive procedure executed by the controller of the dimmer switch of FIG. 1 according to the second embodiment of the present invention;

FIG. 13 is a simplified flowchart of a load control procedure executed periodically by the controller of the dimmer switch of FIG. 1 according to the second embodiment of the present invention;

FIG. 14 is a simplified flowchart of a variable transmission control procedure executed by the controller of the daylight sensor of FIG. 1 according to a third embodiment of the present invention;

FIG. 15 is a simplified flowchart of a transmission algorithm executed by the controller of the daylight sensor of FIG. 1 according to a fourth embodiment of the present invention;

FIG. 16A is a simplified flowchart of a variable transmission control procedure executed by the controller of the daylight sensor of FIG. 1 according to the fourth embodiment of the present invention;

FIG. 16B is a plot of an example test waveform for the daylight sensor of FIG. 1 according to the fourth embodiment to be used in the test setup shown in FIG. 10B; and

FIG. 17 is a simplified flowchart of a control procedure executed periodically by the controller of the daylight sensor of FIG. 1 according to a fifth embodiment of the present invention.

DETAILED DESCRIPTION OF THE INVENTION

The foregoing summary, as well as the following detailed description of the preferred embodiments, is better understood when read in conjunction with the appended drawings. For the purposes of illustrating the invention, there is shown in the drawings an embodiment that is presently preferred, in which like numerals represent similar parts throughout the several views of the drawings, it being understood, however, that the invention is not limited to the specific methods and instrumentalities disclosed.

FIG. 1 is a simple diagram of a radio-frequency (RF) lighting control system 100 comprising a dimmer switch 110 and a daylight sensor 120 according to a first embodiment of the present invention. The dimmer switch 110 is adapted to be coupled in series electrical connection between an alternating-current (AC) power source 102 and a lighting load 104 for controlling the amount of power delivered to the lighting load. The dimmer switch 110 may be wall-mounted in a standard electrical wallbox. Alternatively, the dimmer switch 110 could be implemented as a table-top load control device. The dimmer switch 110 comprises a faceplate 112 and a bezel 113 received in an opening of the faceplate. The dimmer switch 110 further comprises a control actuator 114 (i.e., a button) and an intensity adjustment actuator 116. Successive actuations of the toggle actuator 114 toggle, i.e., turn off and on, the lighting load 104. Actuations of an upper portion 116A or a lower portion 116B of the intensity adjustment actuator 116 respectively increase or decrease the amount of power delivered to the lighting load 104 and thus increase or decrease a present light intensity L_{PRES} of the lighting load 104 from a minimum intensity (e.g., 1%) to a maximum intensity (e.g., 100%). A plurality of visual indicators 118, e.g., light-emitting diodes (LEDs), are arranged in a linear array on the left side of the bezel 113. The visual indicators 118 are illuminated to provide feedback of the intensity of the lighting load 104. An example of a dimmer switch having a toggle actuator 114 and an intensity adjustment actuator 116 is described in greater detail in U.S. Pat. No. 5,248,919, issued Sep. 29, 1993, entitled LIGHTING CONTROL DEVICE, the entire disclosure of which is hereby incorporated by reference.

The daylight sensor 120 is mounted so as to measure a total light intensity L_{T-SNSR} in the space around the daylight sensor (i.e., in the vicinity of the lighting load 104 controlled by the dimmer switch 110). The daylight sensor 120 includes

an internal photosensitive circuit, e.g., a photosensitive diode **232** (FIG. 6A), which is housed in an enclosure **122** having a lens **124** for conducting light from outside the daylight sensor towards the internal photosensitive diode **232**. The daylight sensor **120** is responsive to the total light intensity L_{T-SNSR} measured by the internal photosensitive circuit. Specifically, the daylight sensor **120** is operable to wirelessly transmit digital messages (i.e., wireless signals) to the dimmer switch **110** via RF signals **106**, such that the dimmer switch **110** controls the present light intensity L_{PRES} of the lighting load **104** in response to the total light intensity L_{T-SNSR} measured by the daylight sensor **120**.

During a setup procedure of the RF lighting control system **100**, the daylight sensor **120** may be assigned to (i.e., associated with) the dimmer switch **110**. As mentioned above, the daylight sensor **120** transmits digital messages wirelessly via the RF signals **106** to the dimmer switch **110** in response to the total light intensity L_{T-SNSR} measured by the daylight sensor. A digital message transmitted by the daylight sensor **120** includes, for example, identifying information, such as, a serial number (i.e., a unique identifier) associated with the daylight sensor. The dimmer switch **110** is responsive to messages containing the serial numbers of the daylight sensor **120** to which the dimmer switch is assigned. Each digital message may further comprise a value representative of the measured total light intensity L_{T-SNSR} measured by the daylight sensor **120** (e.g., in foot-candles). Accordingly, the dimmer switch **110** controls the present light intensity L_{PRES} of the lighting load **104** in response to receiving a digital message with the total light intensity L_{T-SNSR} as measured by the daylight sensor **120**. According to the present invention, the daylight sensor **120** is operable to transmit digital messages to the dimmer switch **110** using a variable transmission rate f_{TX} that is dependent upon the measured total light intensity L_{T-SNSR} , such that the daylight sensor **120** only transmits digital messages when needed (as will be described in greater detail below).

Examples of RF lighting control systems are described in greater detail in U.S. patent application Ser. No. 12/033,223, filed Feb. 19, 2008, entitled COMMUNICATION PROTOCOL FOR A RADIO-FREQUENCY LOAD CONTROL SYSTEM; U.S. patent application Ser. No. 12/203,518, filed Sep. 3, 2008, entitled RADIO-FREQUENCY LIGHTING CONTROL SYSTEM WITH OCCUPANCY SENSING; U.S. patent application Ser. No. 12/203,500, filed Sep. 3, 2008, entitled BATTERY-POWERED OCCUPANCY SENSOR; and U.S. patent application Ser. No. 12/371,027, filed Feb. 13, 2009, entitled METHOD AND APPARATUS FOR CONFIGURING A WIRELESS SENSOR, the entire disclosures of which are hereby incorporated by reference.

Alternatively, the dimmer switch **110** could be replaced with an electronic switch comprising, for example, a relay, for simply toggling the lighting load **104** on and off. The electronic switch could be adapted to simply turn the lighting load **104** on when the measured total light intensity L_{T-SNSR} drops below a predetermined threshold and turn the lighting load off when the measured total light intensity L_{T-SNSR} rises above approximately the predetermined threshold (e.g., using some hysteresis).

The lighting control system **100** could additionally comprise one or more motorized window treatments, such as roller shades, draperies, Roman shades, or blinds, for controlling the amount of daylight entering the space around the daylight sensor **120**. Examples of load control systems having motorized window treatments are described in greater detail in U.S. Pat. No. 7,111,952, issued Sep. 26, 2006, entitled SYSTEM TO CONTROL DAYLIGHT AND

ARTIFICIAL ILLUMINATION AND SUN GLARE IN A SPACE, the entire disclosure of which is hereby incorporated by reference.

FIG. 2 is a simplified diagram of a room **130** in which the daylight sensor **120** may be mounted. The daylight sensor **120** is mounted to a ceiling **132** of the room **130** at a distance from a window **134** through which natural light (i.e., daylight) shines. The lighting load **104** is also mounted to the ceiling **132** of the room. The room **130** contains a task surface **136** (e.g., a table) that is illuminated by the natural light shining through the window **134** and the electric light (i.e., artificial light) generated by the lighting load **104**. Thus, a total light intensity L_{T-TASK} produced on the task surface **136** is the sum of a light intensity L_{D-TASK} on the task surface from only daylight entering the room **130** through the window **134** and a light intensity L_{E-TASK} on the task surface from only the lighting load **104** (i.e., $L_{T-TASK} = L_{D-TASK} + L_{E-TASK}$). The daylight sensor **120** is operable to measure the total light intensity L_{T-SNSR} at the daylight sensor, which is also a combination of the natural light and the electric light in the room **130**. The natural and electric light that shine onto the task surface **136** may be reflected to the daylight sensor **120**, while the natural light from the window **134** may shine directly onto the daylight sensor. Thus, the total light intensity L_{T-SNSR} measured by the daylight sensor **120** is the sum of a light intensity L_{D-SNSR} at the daylight sensor from only daylight entering the room **130** through the window **134** and a light intensity L_{E-SNSR} at the daylight sensor from only the lighting load **104** (i.e., $L_{T-SNSR} = L_{D-SNSR} + L_{E-SNSR}$).

The dimmer switch **110** adjusts the present light intensity L_{PRES} of the lighting load **104** so as to control the total light intensity L_{T-TASK} on the task surface **136** towards a target total task surface light intensity $L_{TRGT-TASK}$. For example, the target total task surface light intensity $L_{TRGT-TASK}$ may be preset to be approximately fifty foot-candles. In addition, the target total task surface light intensity $L_{TRGT-TASK}$ may be decreased by actuating the intensity adjustment actuator **116**. Alternatively, the dimmer switch **110** could be operable to receive one or more digital messages from an advanced programming device, such as a personal digital assistant (PDA) or a personal computer (PC), such that the target total task surface light intensity $L_{TRGT-TASK}$ may be entered using a graphical user interface (GUI) and transmitted to the dimmer switch **110**. Further, the target total task surface light intensity $L_{TRGT-TASK}$ could alternatively be adjusted using an advanced programming mode of the dimmer switch **110**. An example of an advanced programming mode for a dimmer switch is described in greater detail in U.S. Pat. No. 7,190,125, issued Mar. 13, 2007, entitled PROGRAMMABLE WALLBOX DIMMER, the entire disclosure of which is hereby incorporated by reference.

Since the total light intensity L_{T-SNSR} measured by the daylight sensor **120** (e.g., as reflected on the daylight sensor) is less than the total light intensity L_{T-TASK} shining directly on the task surface **136**, the lighting control system **100** is characterized by one or more gains. Specifically, the dimmer switch **110** uses a daylight gain G_D and an electrical light gain G_E to control the present intensity L_{PRES} of the lighting load **104**. The daylight gain G_D is representative of the ratio between the light intensity L_{D-TASK} on the task surface **136** from only daylight and the light intensity L_{D-SNSR} measured by the daylight sensor **120** from only daylight (i.e., $G_D = L_{D-TASK} / L_{D-SNSR}$). The electric light gain G_E is representative of the ratio between the light intensity L_{E-TASK} on the task surface **136** from only the lighting load **104** and the light intensity L_{E-SNSR} measured by the daylight sensor **120**

from only the lighting load (i.e., $G_E = L_{E-TASK} / L_{E-SNSR}$). The daylight gain G_D and the electrical light gain G_E of the lighting control system **100** are set during a gain calibration procedure. An example of a gain calibration procedures are described in greater detail in commonly-assigned, co-pending U.S. patent application Ser. No. 12/727,923, filed Mar. 19, 2010, entitled METHOD OF CALIBRATING A DAYLIGHT SENSOR, the entire disclosure of which is hereby incorporated by reference.

During days when there are intermittent clouds passing the building in which the room **130** is located, the total light intensity L_{T-SNSR} at the daylight sensor **120** may fluctuate between high values when the clouds are not blocking the sunlight and low values when the clouds are blocking the sunlight. FIG. 3 shows a few example plots of the total light intensity L_{T-SNSR} as measured by the daylight sensor **120** with respect to time during a sunny day, a cloudy day, and an intermittent-cloudy day. The total light intensity L_{T-SNSR} during a day typically takes the shape of a parabola. On a sunny day, a total sunny-day light intensity $L_{T-SUNNY}$ may increase from sunrise (at time $t_{SUNRISE}$) to a maximum sunny-day light intensity $L_{MAX-SUNNY}$ around midday (at time t_{MIDDAY}), and then decrease until sunset (at time t_{SUNSET}). On a cloudy day, a total cloudy-day light intensity $L_{T-CLOUDY}$ may increase from sunrise to a maximum cloudy-day light intensity $L_{MAX-CLOUDY}$ around midday, and then decreases until sunset. The maximum sunny-day light intensity $L_{MAX-SUNNY}$ is typically greater than the maximum cloudy-day light intensity $L_{MAX-CLOUDY}$. On a day having intermittent clouds, a total light intensity L_{T-IC} may fluctuate between the total cloudy-day light intensity $L_{T-CLOUDY}$ and the total sunny-day light intensity $L_{T-SUNNY}$ as shown in FIG. 3.

FIG. 4 is an enlarged perspective view of the daylight sensor **120**. The lens **124** is transparent such that the light from the room **130** is able to shine onto the internal photosensitive diode **232** of the daylight sensor **120**. The daylight sensor **120** is positioned on the ceiling **132** such that an arrow **140** points towards the window **134**, such that lens **124** is directed towards the window **134**. As a result, more natural light than artificial light will shine through the lens **124** and onto the internal photosensitive diode **232**. A plurality of actuators (e.g., a calibration button **150**, a test button **152**, and a link button **154**) are used during the setup and calibration procedures of the daylight sensor **120**. The daylight sensor **120** further comprises a laser-pointer receiving opening **156**, which is adapted to receive energy from a laser pointer (not shown). The daylight sensor **120** is responsive to the energy of the laser pointer shining through the laser-pointer receiving opening **156**. When the daylight sensor **120** is mounted to the ceiling **132**, a user may shine the laser pointer through the opening **156** rather than actuating the calibration button **150** during the gain calibration procedure.

FIG. 5 is a simplified block diagram of the dimmer switch **110**. The dimmer switch **110** comprises a controllably conductive device **210** coupled in series electrical connection between the AC power source **102** and the lighting load **104** for control of the power delivered to the lighting load. The controllably conductive device **210** may comprise any suitable type of bidirectional semiconductor switch, such as, for example, a triac, a field-effect transistor (FET) in a rectifier bridge, or two FETs in anti-series connection. The controllably conductive device **210** includes a control input coupled to a drive circuit **212**. The controllably conductive device

210 is rendered conductive or non-conductive in response to the control input, which in turn controls the power supplied to the lighting load **104**.

The drive circuit **212** provides control inputs to the controllably conductive device **210** in response to control signals from a controller **214**. The controller **214** is, for example, a microcontroller, but may alternatively be any suitable processing device, such as a programmable logic device (PLD), a microprocessor, or an application specific integrated circuit (ASIC). The controller **214** receives inputs from the control actuator **114** and the intensity adjustment actuator **116** and controls the visual indicators **118**. The controller **214** is also coupled to a memory **216** for storage of the preset intensity of lighting load **104**, the serial number of the daylight sensor **120** to which the dimmer switch **110** is assigned, the daylight gain G_D , the electrical light gain G_E , and other operational characteristics of the dimmer switch **110**. The controller **230** may recall the daylight gain G_D and the electrical light gain G_E from the memory **216** at startup. The memory **216** may be implemented as an external integrated circuit (IC) or as an internal circuit of the controller **214**. A power supply **218** generates a direct-current (DC) voltage V_{CC} for powering the controller **214**, the memory **216**, and other low-voltage circuitry of the dimmer switch **110**.

A zero-crossing detector **220** determines the zero-crossings of the input AC waveform from the AC power supply **102**. A zero-crossing is defined as the time at which the AC supply voltage transitions from positive to negative polarity, or from negative to positive polarity, at the beginning of each half-cycle. The zero-crossing information is provided as an input to controller **214**. The controller **214** provides the control signals to the drive circuit **212** to operate the controllably conductive device **210** (i.e., to provide voltage from the AC power supply **102** to the lighting load **104**) at predetermined times relative to the zero-crossing points of the AC waveform using a phase-control dimming technique.

The dimmer switch **110** further comprises an RF transceiver **222** and an antenna **224** for receiving the RF signals **106** from the daylight sensor **120**. The controller **214** is operable to control the controllably conductive device **210** in response to the messages received via the RF signals **106**. Examples of the antenna **224** for wall-mounted dimmer switches, such as the dimmer switch **110**, are described in greater detail in U.S. Pat. No. 5,982,103, issued Nov. 9, 1999, and U.S. Pat. No. 7,362,285, issued Apr. 22, 2008, both entitled COMPACT RADIO FREQUENCY TRANSMITTING AND RECEIVING ANTENNA AND CONTROL DEVICE EMPLOYING SAME. The entire disclosures of both patents are hereby incorporated by reference.

FIG. 6A is a simplified block diagram of the daylight sensor **120**. The daylight sensor **120** comprises a controller **230** that is responsive to a photosensitive circuit **231**, which includes the photosensitive diode **232**. The cathode of the photosensitive diode **232** is coupled to the controller **230** via a transimpedance amplifier **234**, which operates as a current-to-voltage converter. The anode of the photosensitive diode **232** is coupled to circuit common through a controllable switch **235**, which allows the controller **230** to enable and disable the photosensitive circuit **231** (using a photosensitive circuit enable control signal V_{PS_ENABLE}) as will be described in greater detail below.

The photosensitive diode **232** conducts a photosensitive diode current I_{PD} having a magnitude dependent upon the magnitude of the light that shines on the photosensitive diode (i.e., the total light intensity L_{T-SNSR} as measured by the daylight sensor **120**). The transimpedance amplifier **234**

provides the controller **230** with a total light intensity control signal V_{TOT} representative of the total light intensity L_{T-SNSR} . Specifically, the magnitude of the total light intensity control signal V_{TOT} generated by the transimpedance amplifier **234** is dependent upon the magnitude of the current I_{PD} conducted by the photosensitive diode **232**, and thus the total light intensity L_{T-SNSR} . The controller **230** comprises an analog-to-digital converter (ADC), such that the controller is operable to sample the total light intensity control signal V_{TOT} to generate a total light intensity sample S_{TOT} . The controller **230** uses a sampling period T_{SMPL} of, for example, approximately one second, such that the controller samples the total light intensity control signal V_{TOT} approximately once every second during normal operation of the daylight sensor **120**.

The daylight sensor **120** further comprises an RF transceiver **236**, which is coupled to the controller **230** and an antenna **238**. The controller **230** is operable to cause the RF transceiver **236** to transmit digital messages to the dimmer switch **110** via the RF signals **106** in response to the magnitude of the total light intensity control signal V_{TOT} . The controller **230** may also be operable to receive a digital message from the dimmer switch **110** or another remote control device, such as a personal digital assistant (PDA), for configuring the operation of the daylight sensor **120**. The controller **230** provides the digital message to be transmitted by the RF transceiver **236** and obtains received digital messages from the RF transmitter via an RF data control signal V_{RF_DATA} . The controller **230** also is operable to enable and disable the RF transceiver via an RF enable control signal V_{RF_ENABLE} . Alternatively, the RF transceiver **236** of the daylight sensor **120** could comprise an RF transmitter and the RF transceiver **222** of the dimmer switch **110** could comprise an RF receiver to allow for one-way communication between the daylight sensor and the dimmer switch. The RF transmitter may comprise, for example, part number CC1150 manufactured by Texas Instruments Inc.

The controller **230** of the daylight sensor **120** is also responsive to a plurality of actuators **240** (i.e., the calibration button **150**, the test button **152**, and the link button **154**), which provide user inputs to the daylight sensor for use during calibration of the daylight sensor. The controller **230** is operable to control one or more LEDs **242** to illuminate the lens **124** to thus provide feedback during calibration of the daylight sensor **120**. A laser pointer circuit **244** is coupled to the controller **230** and is responsive to light that shines through the laser-pointer receiving opening **156** from a laser pointer. Specifically, the controller **230** responds to an input from the laser pointer circuit **244** in the same manner as an actuation of the calibration button **150**. The controller **230** is further coupled to a memory **246** for storing the operational characteristics of the daylight sensor **120**. The daylight sensor **120** also comprises a battery **V1** that provides a battery voltage V_{BATT} (e.g., approximately three volts) for powering the controller **230**, the photosensitive circuit **231**, the RF transceiver **236**, and the other circuitry of the daylight sensor **120**.

The controller **230** is operable to control the photosensitive circuit **231** and the RF transceiver **236** in order to conserve battery power. Specifically, the controller **230** is operable to enable the photosensitive circuit **231** (by closing the switch **235** via the photosensitive circuit enable control signal V_{PS_ENABLE}) for a small time period T_{PD} (e.g., 50 msec) during each sampling period T_{SMPL} , such that the photosensitive diode **232** only conducts current for a portion of the time during normal operation (e.g., 5% of the time). In addition, the controller **230** only enables the RF trans-

ceiver **236** (via the RF enable control signal V_{RF_ENABLE}) when required. As previously mentioned, the controller **230** only enables the RF transceiver **236** to transmit digital messages when needed, i.e., using the variable transmission rate (as will be described in greater detail below with reference to FIG. **8**). The controller **230** only enables the RF transceiver **236** to receive digital messages in response to the laser pointer circuit **244** receiving light from a laser pointer through the laser-pointer receiving opening **156**. When the photosensitive circuit **231** and the RF transceiver **236** are disabled, the controller **230** is operable to enter a sleep mode in which the controller consumes less power.

FIG. **6B** is a simplified schematic diagram of the daylight sensor **120** showing the transimpedance amplifier **234** and the laser pointer circuit **244** in greater detail. The transimpedance amplifier **234** comprises an operational amplifier (“op-amp”) **U250** having a non-inverting input terminal coupled to circuit common. A feedback resistor **[8252] R252** is coupled between an inverting input terminal and an output terminal of the op-amp **U250**. The output terminal of the op-amp **U250** provides to the controller **230** the total light intensity control signal V_{TOT} , which has a magnitude that varies in response to the magnitude of the photosensitive diode current I_{PD} . The cathode of the photosensitive diode **232** is coupled to the inverting input terminal of the op-amp **U250**, such that the photosensitive diode current I_{PD} is conducted through the feedback resistor **R252**. Thus, the magnitude of the total light intensity control signal V_{TOT} is dependent upon the magnitude of the photosensitive diode current I_{PD} and the resistance of the feedback resistor **[8252] R252**. For example, the resistor **R252** may have a resistance of approximately 300 k Ω , such that the magnitude of the total light intensity control signal V_{TOT} ranges from approximately zero volts to three volts as the light intensity shining directly on the photosensitive diode **232** ranges from approximately zero lux to 1000 lux.

The transimpedance amplifier **234** further comprises a feedback capacitor **C254** (e.g., having a capacitance of approximately 0.022 μ F) for providing some low-pass filtering, such that the magnitude of the total light intensity control signal V_{TOT} is not responsive to high-frequency noise in the photosensitive diode current I_{PD} . In addition, the op-amp **U250** is powered from the battery **V1** through a low-pass filter comprising a resistor **8256** (e.g., having a resistance of approximately 22 Ω) and a capacitor **C258** (e.g., having a capacitance of approximately 0.1 μ F). The low-pass filter prevents high-frequency noise that may be coupled to the battery **V1** from the RF transceiver **236** from affecting the operation of the photosensitive circuit **231**.

The laser pointer circuit **244** comprises a laser-responsive element, e.g., a light-emitting diode (LED) **D260**. The LED **D260** is positioned inside the daylight sensor **120** such that light from a laser pointer may shine through the laser-pointer receiving opening **156** and onto the LED. The LED **D260** may be a green LED, such that a laser current I_{LASER} conducted through the LED increases in magnitude when a green laser pointer is shined onto the LED. A resistor **R262** is coupled between the anode of the LED **D260** and circuit common and has, for example, a resistance of approximately 1 M Ω . A capacitor **C264** is coupled in parallel with the resistor **R262** and has, for example, a capacitance of approximately 0.01 μ F. The junction of the LED **D260** and the resistor **R262** is coupled to the controller **230** through a capacitor **C265** (e.g., having a capacitance of approximately 0.22 μ F) and a resistor **8266** (e.g., having a resistance of approximately 10 k Ω). The junction of the capacitor **C265** and the resistor **8266** is coupled to circuit common through

a resistor (e.g., having a resistance of approximately 1 M Ω). When a laser pointer is shined onto the LED D260 and the laser current I_{LASER} increases in magnitude, the voltage across the parallel combination of the resistor R262 and the capacitor C264 also increases in magnitude. Accordingly, the capacitor C265 conducts a pulse of current and the laser pointer control signal V_{LASER} also increases in magnitude. The input of the controller 230 that receives the laser pointer control signal V_{LASER} is an interrupt pin, such that the controller 230 is operable to come out of sleep mode in response to the laser pointer. The controller 230 may then be operable to enable the RF transceiver 236 to receive a digital message as will be described in greater detail below with reference to FIG. 10A.

According to the present invention, the daylight sensor 120 is operable to transmit digital messages to the dimmer switch 110 using the variable transmission rate that is dependent upon the present change in the total light intensity L_{T-SNSR} as measured by the daylight sensor 120. The daylight sensor 120 is operable to determine the total light intensity L_{T-SNSR} from the magnitude of the total light intensity control signal V_{TOT} , and to only transmit one or more values representative of the total light intensity L_{T-SNSR} (e.g., in foot-candles) to the dimmer switch 110 when the total light intensity L_{T-SNSR} has changed by at least a first predetermined percentage ΔS_{MAX1} . Since the total light intensity L_{T-SNSR} as measured by the daylight sensor 120 changes throughout a typical day, the variable transmission rate also changes throughout the day (as shown in FIG. 3). The variable transmission rate ensures that the daylight sensor 120 only transmits digital messages when needed (i.e., when the total light intensity L_{T-SNSR} is changing quickly, but not too quickly). Because the controller 230 is able to disable the photosensitive circuit 231 (by opening the switch 235 via the photosensitive circuit enable control signal V_{PS_ENABLE}), the daylight sensor 120 is able to conserve battery power by not transmitting digital messages to the dimmer switch 110 as often when the total light intensity L_{T-SNSR} is relatively constant with respect to time.

FIG. 7 is a simplified flowchart of a transmission algorithm 300 executed by the controller 230 of the daylight sensor 120 according to the first embodiment of the present invention, such that the daylight sensor 120 transmits digital messages using the variable transmission rate. The transmission algorithm 300 as shown in FIG. 7 is generalized and specific embodiments are detailed below. According to the first embodiment, the controller 230 collects a predetermined number N_{SMPL} of measurements of the total light intensity L_{T-SNSR} (e.g., ten) during consecutive non-overlapping time intervals (i.e., windows) that each have a length equal to a predetermined time period T_{WIN} (i.e., $T_{WIN} = N_{SMPL} \cdot T_{SMPL}$). The controller 230 determines one or more estimators from a previous time interval and uses the estimator to estimate one or more predicted light intensity values in the present time interval. At end of the present time interval, the controller 230 determines whether a digital message including one or more values representative of the total light intensity L_{T-SNSR} should be transmitted to the dimmer switch 110 in response to the error between the measured light intensity values and the predicted light intensity values. The transmission algorithm 300 is executed with at a period equal to the predetermined time period T_{WIN} . Accordingly, the minimum time period between transmissions by the daylight sensor 120 according to the first embodiment is equal to the predetermined time period T_{WIN} . For example, the predetermined time period T_{WIN} may be

approximately ten seconds, but may alternatively range from approximately five seconds to thirty seconds.

Referring to FIG. 7, the controller 230 first measures the predetermined number N_{SMPL} of new total light intensity values at step 310, and stores the measured total light intensity values at step 312. Next, the controller 230 determines the predicted light intensity value(s) at step 314 using the estimator(s) determined during one of the previous time intervals, and calculates an error between the measured total light intensity values and the predicted total light intensity values at step 316. If the error is outside of predetermined limits (i.e., is too great) at step 318, the controller 230 calculates the new estimator(s) for use during the subsequent time interval at step 320 and transmits a digital message including one or more values representative of the total light intensity L_{T-SNSR} as measured by the daylight sensor 120 to the dimmer switch 110 at step 322. For example, the controller 230 may transmit one or more of the measured total light intensity values to the dimmer switch 110. Alternatively, the controller 230 may transmit the new estimator(s) determined at step 320 to the dimmer switch 110. After transmitting a digital message to the dimmer switch 110, the transmission algorithm 300 loops around, such that the controller 230 may collect the predetermined number N_{SMPL} of measurements of the total light intensity L_{T-SNSR} during the subsequent non-overlapping time interval. If the error is within the predetermined limits at step 318, the controller 230 does not calculate the new estimator(s) at step 320 and does not transmit the value representative of the total light intensity L_{T-SNSR} at step 324, but simply analyzes the next non-overlapping time interval.

According to the first embodiment of the present invention, the controller 230 of the daylight sensor 120 uses a single data point as the estimator. For example, the controller 230 may use the minimum value of the measured light intensity values from the previous time interval as the estimator. Alternatively, the controller 230 may use the average or median value of the measured light intensity values from the previous time interval as the estimator. Since the estimator is a single data point, the controller 230 only uses one predicted light intensity value at step 314 of the transmission algorithm 300. For example, the predicted light intensity value may be equal to the estimator. The controller 230 then calculates the error using the minimum value of the measured light intensity values from the present time interval and the predicted light intensity value (i.e., the estimator).

FIG. 8 is a simplified flowchart of a variable transmission control procedure 400 executed by the controller 230 of the daylight sensor 120 according to the first embodiment of the present invention. The controller 230 executes the variable transmission control procedure 400 periodically (e.g., approximately once every second) during normal operation in order to sample the total light intensity control signal V_{TOT} , to thus collect the predetermined number N_{SMPL} of samples (e.g., approximately ten samples) during each of the consecutive non-overlapping time intervals. Specifically, the controller 230 first enables the photosensitive circuit 231 at step 410 by closing the controllable switch 235 using the photosensitive circuit enable control signal V_{PS_ENABLE} . The controller 230 waits for the time period T_{PD} (i.e., 50 msec) at step 412 to allow the photosensitive diode current I_{PD} to become representative of the total light intensity L_{T-SNSR} at the daylight sensor 120. The controller 230 samples the total light intensity control signal V_{TOT} to generate a new total light intensity sample S_{TOT} at step 414, and disables the photosensitive circuit 231 by opening the switch 235 using

the photosensitive circuit enable control signal V_{PS_ENABLE} at step 416. The controller 230 then increments a variable n by one at step 418 and stores the new total light intensity sample S_{TOT} as sample $S[n]$ in the memory 246 at step 420. If the variable n is less than the predetermined number N_{SMPL} of samples at step 422, the variable transmission control procedure 400 simply exits without processing the samples $S[n]$ stored in the memory 246. The controller 230 will execute the variable transmission control procedure 400 once again to collect a new sample of the total light intensity control signal V_{TOT} .

If the variable n is greater than or equal to the predetermined number N_{SMPL} of samples at step 422, the controller 230 processes the samples $S[n]$ stored in the memory 246 in order to determine if a digital message should be transmitted to the dimmer switch 110. First, the controller 230 resets the variable n to zero at step 424. The controller 230 then determines if the total light intensity L_{T-SNSR} has changed by at least the first predetermined percentage ΔS_{MAX1} . Specifically, the controller 230 determines a present minimum sample $S_{MIN-PRS}$ of the samples $S[n]$ stored in the memory 246 (i.e., samples $S[0]$ through $S[N_{SMPL}]$) at step 426. The controller 230 then calculates a minimum sample adjustment percentage ΔS_{MIN} that is representative of the amount of change of the total light intensity L_{T-SNSR} at step 428 using the equation:

$$\Delta S_{MIN} = \frac{|S_{MIN-PRS} - S_{MIN-PRV}|}{S_{MIN-PRV}}, \quad (\text{Equation 1})$$

where the sample $S_{MIN-PRV}$ is the previous minimum sample determined during the previous time period T_{WIN} that is stored in the memory 246. If the minimum sample adjustment percentage ΔS_{MIN} is less than the first predetermined percentage ΔS_{MAX1} at step 430, the variable transmission control procedure 400 exits without the controller 230 transmitting a digital message to the dimmer switch 110. In other words, the controller 230 has determined that the total light intensity L_{T-SNSR} has not changed significantly enough to merit a transmission of a digital message. For example, the first predetermined percentage ΔS_{MAX1} may be approximately 15%, but may alternatively range from approximately 1% to 20%.

If the minimum sample adjustment percentage ΔS_{MIN} is greater than or equal to the first predetermined percentage ΔS_{MAX1} at step 430, the controller 230 sets the previous minimum sample $S_{MIN-PRV}$ equal to the present minimum sample $S_{MIN-PRS}$ at step 432. The controller 230 then loads a digital message including a value representative of the total light intensity L_{T-SNSR} as measured by the daylight sensor 120 (e.g., in foot-candles) in a transmit (TX) buffer at step 434, before the variable transmission control procedure 400 exits. For example, the controller 230 may include the minimum present minimum sample $S_{MIN-PRS}$ in the digital message loaded into the TX buffer. The controller 230 will transmit the digital message to the dimmer switch 110 via the RF signals 106 using a transmit procedure (not shown). An example of a transmit procedure is described in previously-referenced U.S. patent application Ser. No. 12/203,518.

FIG. 9 is a simplified flowchart of a receive procedure 500 executed by the controller 214 of the dimmer switch 110 when a digital message is received from the daylight sensor 120 at step 510. As previously mentioned, the dimmer switch 110 adjusts the present light intensity L_{PRES} of the

lighting load 104 so as to control the total light intensity L_{T-TASK} on the task surface towards the target total task surface light intensity $L_{TRGT-TASK}$. Specifically, the dimmer switch 110 uses a present dimming percentage d_{PRES} to control the present light intensity L_{PRES} of the lighting load 104. The present dimming percentage d_{PRES} is calculated in response to the received digital messages and a target task surface light intensity value $L_{TRGT-TASK}$ during the receive procedure 500. For example, the present dimming percentage d_{PRES} may be a number between zero and one. The controller 214 may apply the present dimming percentage d_{PRES} to different dimming curves depending upon the load type of the lighting load 104 (i.e., incandescent, fluorescent, etc.) to determine the actual new present light intensity L_{PRES} of the lighting load.

Referring to FIG. 9, if the received digital message does not include a light intensity value received from the daylight sensor 120 at step 512, the controller 214 processes the digital message appropriately at step 514 and the receive procedure 500 exits. For example, the digital message may comprise a calibration message transmitted during a calibration procedure of the daylight sensor 120. However, if the received digital message includes a light intensity value at step 512, the controller 214 stores the total light intensity L_{T-SNSR} as measured by the daylight sensor 120 (and as received in the digital message) in the memory 248 at step 516. As noted above, the value representative of the total light intensity L_{T-SNSR} in the received digital message may be equal to the minimum present minimum sample $S_{MIN-PRS}$ from the variable transmission control procedure 400 executed by the controller 230 of the daylight sensor 120 (i.e., $L_{T-SNSR} = S_{MIN-PRS}$).

At step 518, the controller 214 calculates the light intensity L_{E-SNSR} measured by the daylight sensor 120 from only the lighting load 104 using the electric light gain G_E , i.e.,

$$L_{E-SNSR} = \frac{d_{PRES} \cdot L_{EM-TASK}}{G_E}, \quad (\text{Equation 2})$$

where $L_{EM-TASK}$ represents the light intensity on the task surface 136 from only the lighting load 104 when the lighting load is at the maximum light intensity. For example, the controller 214 may set the light intensity $L_{EM-TASK}$ from Equation 2 equal to the light intensity L_{E-TASK} on the task surface from only the lighting load 104 (from the gain calibration procedure), or to a predetermined value, such as, fifty foot-candles. At step 520, the controller 214 calculates the light intensity L_{D-SNSR} at the daylight sensor 120 from only natural light by subtracting the light intensity L_{E-SNSR} at the daylight sensor from only the lighting load 104 (as calculated at step 518) from the total light intensity L_{T-SNSR} measured by the daylight sensor (as received in the digital message), i.e.,

$$L_{D-SNSR} = L_{T-SNSR} - L_{E-SNSR}. \quad (\text{Equation 3})$$

At step 522, the controller 214 calculates the light intensity L_{D-TASK} on the task surface from only daylight by multiplying the light intensity L_{D-SNSR} at the daylight sensor 120 from only daylight by the daylight gain G_D , i.e.,

$$L_{D-TASK} = G_D \cdot L_{D-SNSR}. \quad (\text{Equation 4})$$

At step 524, the controller 214 calculates the new present dimming percentage d_{PRES} as a function of the target total task surface light intensity $L_{TRGT-TASK}$, the light intensity L_{D-TASK} on the task surface from only daylight, and the light

15

intensity $L_{EM-TASK}$ on the task surface **136** from only the lighting load **104** when the lighting load is at the maximum light intensity, i.e.,

$$d_{PRES} = \frac{L_{TRGT-TASK} - L_{D-TASK}}{L_{EM-TASK}} \quad (\text{Equation 5})$$

Finally, the controller **214** controls the lighting load **104** according to the new present dimming percentage d_{PRES} , before the receive procedure **500** exits.

FIG. **10A** is a simplified flowchart of a laser pointer interrupt procedure **600** executed by the controller **230** in response to the laser pointer circuit **244** detecting light from a laser pointer when the controller is in the sleep mode. Specifically, when the laser pointer control signal V_{LASER} is pulled high towards the battery voltage V_{BATT} at step **610**, the controller **230** first enables the RF transceiver **236** via the RF enable control signal V_{RF_ENABLE} at step **612**. The controller **230** then waits until a digital message is received at step **614** or a timeout expires at step **616**. If a digital message is received at step **614** (e.g., from the dimmer switch **110**), the controller **230** stores the received digital message in a receive (RX) buffer at step **618**, such that the controller **230** may process the received digital message at a later time. The controller **230** then disables the RF transceiver **236** via the RF enable control signal V_{RF_ENABLE} at step **620**, and the laser pointer interrupt procedure **600** exits. If the timeout expires at step **616** before a digital message is received at step **614**, the controller **230** simply disables the RF transceiver **236** at step **620**, before the laser pointer interrupt procedure **600** exits.

FIG. **10B** is a diagram of an example test setup **650** and FIG. **10C** is a plot of an example test waveform **670** for the daylight sensor **120** of the first embodiment. The test setup **650** comprises test box **652** having a first compartment in which a test lighting load **604** is located and a second compartment in which the daylight sensor **120** and a light meter **654** are located. The first and second compartments of the test box **652** are separated by a light diffuser **656**. The test setup **650** further comprises a personal computer (PC) **658**, which coupled to the daylight sensor **120** and the light meter **654** via serial connections **662**. The PC is operable to adjust the intensity of the lighting load **604** using a dimmer circuit **660** according to the test waveform **670** and to observe the transmission rate of the daylight sensor **120** as well as the actual light intensity as measured by the light meter **654**. The test waveform **670** controls the intensity of the test lighting load **604** linearly from a minimum test intensity L_{T-MIN} to a maximum test intensity L_{T-MAX} and has a length T_{TEST} , such that the test waveform **670** has a slope m_{TEST} , i.e., $m_{TEST} = (L_{T-MAX} - L_{T-MIN}) / T_{TEST}$. If the test waveform **670** has a first slope, the rate of transmission of the daylight sensor **120** of the first embodiment will remain constant at a first rate. For example, the minimum test intensity L_{T-MIN} may be zero foot-candles, the maximum test intensity L_{T-MAX} may be 50 foot-candles, and the length T_{TEST} may be two hours. If the test waveform **670** is altered to have a second slope less than the first slope (e.g., if the length T_{TEST} is increased to approximately three hours), the rate of transmission of the daylight sensor **120** will change to a second rate less than the first rate.

According to a second embodiment of the present invention, the controller **230** uses a linear least-squares prediction model to determine the predicted light intensity values. Specifically, the controller **230** is operable to perform a

16

linear least-squares fit on the measured light intensity values from a present time interval to determine a slope m and an offset b of a line (i.e., $y=mx+b$) that best represents the change in the measured light intensity values with respect to time. The controller **230** uses these estimators (i.e., the slope m and the offset b) to determine the predicted light intensity values for one or more of the subsequent time intervals. The controller **230** then determines a mean-square error e between the measured light intensity values and the predicted light intensity values.

FIG. **11** is a simplified flowchart of a variable transmission control procedure **700** executed by the controller **230** of the daylight sensor **120** according to the second embodiment of the present invention. As in the first embodiment, the controller **230** executes the variable transmission control procedure **700** of the second embodiment periodically (e.g., approximately once every second) during normal operation to sample the total light intensity control signal V_{TOT} and to collect the predetermined number N_{SMPL} of samples during each of the consecutive non-overlapping time intervals. The controller **230** closes the controllable switch **235** to enable the photosensitive circuit **231** at step **710**, and waits for the time period T_{PD} (i.e., 50 msec) at step **712** to allow the photosensitive diode current I_{PD} to become representative of the total light intensity L_{T-SNSR} . The controller **230** then samples the total light intensity control signal V_{TOT} (to generate a new total light intensity sample S_{TOT}) at step **714**, and opens the controllable switch **235** to disable the photosensitive circuit **231** at step **716**. The controller **230** increments a variable n by one at step **718** and stores the new total light intensity sample S_{SNSR} as sample $S[n]$ in the memory **246** at step **720**. If the controller **230** has not yet collected the predetermined number N_{SMPL} of samples during the present time interval at step **722**, the variable transmission control procedure **700** simply exits without processing the samples $S[n]$ stored in the memory **246**.

When the controller **230** has collected the predetermined number N_{SMPL} of samples during the present time interval at step **722**, the controller **230** processes the samples $S[n]$ stored in the memory **246** to determine if a digital message should be transmitted to the dimmer switch **110**. The controller **230** first increments a variable q at step **724**. The controller **230** uses the variable q to keep track of how many time intervals have occurred after the time interval in which the estimators were last calculated. The controller **230** then calculates the predicted light intensity values at step **726** using the estimators (i.e., the slope m and the offset b) from a previous time interval, i.e.,

$$P[i] = m \cdot i + b, \quad (\text{Equation 6})$$

for $i = q \cdot T_{WIN} + 1$ to $2q \cdot T_{WIN}$. At step **728**, the controller **230** determines the mean-square error e between the measured light intensity values and the predicted light intensity values, i.e.,

$$e = (1/N_{MAX}) \cdot \sum (S[i] - P[i])^2, \quad (\text{Equation 7})$$

for $i = q \cdot T_{WIN} + 1$ to $2q \cdot T_{WIN}$. If the mean-square error e is less than a predetermined maximum error e_{MAX} (e.g., approximately 15%) at step **730**, the variable transmission control procedure **700** exits without transmitting a digital message to the dimmer switch **110**.

However, if the mean-square error e is greater than or equal to the predetermined maximum error e_{MAX} at step **730**, the controller **230** then determines the new estimators at step **732** by performing a linear least-squares fit on the measured light intensities from the present time interval to thus determine the slope m and the offset b of the line that best

represents the measured light intensities from the present time interval. The controller **230** loads a digital message including one or more values representative of the total light intensity L_{T-SNSR} in the TX buffer at step **734**. For example, the controller **230** may include the estimators (i.e., the slope m and the offset b) determined at step **732** in the digital message. Since the slope m and the offset b determined at step **732** represent the measured intensity values from the present time interval, the predicted intensity values determined in the next subsequent time interval will begin at time T_{WIN} , which is equal to the predetermined number N_{SMPL} of samples per interval. Therefore, the controller **230** resets the variable n to N_{SMPL} and the variable q to one at step **736**, before the variable transmission control procedure **700** exits.

Since both the slope m and the offset b as determined by the daylight sensor **120** are transmitted to the dimmer switch **110**, the dimmer switch is operable to continuously recalculate (i.e., estimate) the total light intensity L_{T-SNSR} as a function of time, and to adjust the present light intensity L_{PRES} of the lighting load **104** in response to the estimated total light intensity L_{T-SNSR} . FIG. **12** is a simplified flowchart of a receive procedure **800** executed by the controller **214** of the dimmer switch **110** when a digital message is received from the daylight sensor **120** at step **810** according to the second embodiment of the present invention. If the received digital message includes light intensity values received from the daylight sensor **120** at step **812**, the controller **214** stores the slope m and the offset b from the received digital message in the memory **216** at step **814**. The controller **214** calculates the total light intensity L_{T-SNSR} as measured the daylight sensor **120** at step **816** using the slope m and the offset b from the received digital message, as well as the predetermined period T_{WIN} of each interval, i.e.,

$$L_{T-SNSR}=m \cdot T_{WIN}+b \quad (\text{Equation 8})$$

The controller **214** then stores the calculated total light intensity L_{T-SNSR} in the memory **216** at step **818**, before the receive procedure **800** exits. If the received digital message does not include light intensity values received from the daylight sensor **120** at step **812**, the controller **214** processes the digital message appropriately at step **820** and the receive procedure **800** exits.

FIG. **13** is a simplified flowchart of a load control procedure **900** executed by the controller **214** of the dimmer switch **110** periodically according to an adjustment period T_{ADJ} (e.g., one second), such that the load control procedure **900** is executed once per second. The controller **214** first updates the total light intensity L_{T-SNSR} (with respect to time) at step **910** using the slope m stored in the memory **216**, i.e.,

$$L_{T-SNSR}=L_{T-SNSR}+m \cdot T_{ADJ} \quad (\text{Equation 9})$$

The controller **214** then determines the new present dimming percentage d_{PRES} for the lighting load **104** in a similar manner as in the receive procedure **500** of the first embodiment. Specifically, the controller **214** calculates the light intensity L_{E-SNSR} measured by the daylight sensor **120** from only the lighting load **104** at step **912**, calculates the light intensity L_{D-SNSR} at the daylight sensor **120** from only natural light at step **914**, calculates the light intensity L_{D-TASK} on the task surface from only daylight at step **916**, and calculates the new present dimming percentage d_{PRES} at step **918**. The controller **214** then finally controls the lighting load **104** according to the new present dimming percentage d_{PRES} at step **920**, before the load control procedure **900** exits.

According to a third embodiment of the present invention, the controller **230** uses a parabolic model to determine the predicted light intensity values. In other words, the controller **230** is operable to perform a parabolic least-squares fit on the measured light intensity values from a present time interval to fit measured light intensity values to a parabola (i.e., $y=ax^2+bx+c$) that best represents the change in the measured light intensity values with respect to time. The controller **230** uses these estimators (i.e., the coefficients a , b , c of the parabola) to determine the predicted light intensity values for one or more of the subsequent time intervals. The controller **230** then determines a mean-square error e between the measured light intensity values and the predicted light intensity values.

FIG. **14** is a simplified flowchart of a variable transmission control procedure **1000** executed by the controller **230** of the daylight sensor **120** periodically (e.g., approximately once every second) according to the third embodiment of the present invention. The variable transmission control procedure **1000** is very similar to the variable transmission control procedure **700** of the second embodiment. However, the controller **230** calculates the predicted light intensity values at step **1026** using the coefficients a , b , c (i.e., the estimators) and the parabola equation, i.e.,

$$P[i]=ai^2+bi+c, \quad (\text{Equation 10})$$

$$\text{for } i=q \cdot T_{WIN}+1 \text{ to } 2q \cdot T_{WIN}.$$

At step **1028**, the controller **230** determines the mean-square error e between the measured light intensity values and the predicted light intensity values. If the mean-square error e is greater than or equal to the predetermined maximum error e_{MAX} at step **1030**, the controller **230** determines the new estimators at step **1032** by performing a parabolic least-squares fit on the measured light intensities from the present time interval to thus determine the coefficients a , b , c of the parabola that best represent the measured light intensities from the present time interval. The controller **230** then loads a digital message including one or more values representative of the total light intensity L_{T-SNSR} in the TX buffer at step **1034**, e.g., the estimators (i.e., the coefficients a , b , c of the parabola) determined at step **1032**. Accordingly, the dimmer switch **110** will execute a receive procedure (not shown) similar to the receive procedure **800** of the second embodiment in order to calculate the total light intensity L_{T-SNSR} as measured by the daylight sensor **120** using the coefficients a , b , c . In addition, the dimmer switch **110** will periodically adjust the present light intensity L_{PRES} of the lighting load **104** using a load control procedure (not shown) similar to the load control procedure **900** of the second embodiment.

According to another alternative embodiment of the present invention, the controller **230** of the daylight sensor **120** could use a linear predictor to determine the predicted light intensity values. For example, the predicted light intensity values may be calculated using the equation:

$$P[i]=-\sum(\alpha_i \cdot x[n-i]) \quad (\text{Equation 11})$$

$$\text{for } i=1 \text{ to } K,$$

where $x[n-i]$ are the previous measured light intensity values, α_i are the predictor coefficients, and K is the maximum number of values used to calculate the predicted light intensity.

According to a fourth embodiment of the present invention, the daylight sensor **120** does not transmit digital messages in response to the measured total light intensity L_{T-SNSR} if the measured data is "misbehaving" so as to reduce the transmission rate and further conserve battery

life. For example, the daylight sensor **120** may ignore fluctuations in the measured total light intensity L_{T-SNSR} that are large in magnitude and short in time duration (i.e., during intermittent-cloudy days as shown in FIG. 3), such that the variable transmission rate of the daylight sensor is also dependent upon the rate of change of the total light intensity L_{T-SNSR} measured by the daylight sensor (i.e., the “dynamic” change in the total light intensity). Specifically, the daylight sensor **120** does not transmit digital messages to the dimmer switch **110** if the total light intensity L_{T-SNSR} has changed by more than a second predetermined percentage ΔS_{MAX2} during the predetermined time period T_{WIN} . Accordingly, the variable transmission rate of the daylight sensor **120** of the fourth embodiment of the present invention results in the average time between transmissions by the daylight sensor during the course of a day being greater than approximately 420 seconds (as determined by experimental study).

FIG. 15 is a simplified flowchart of a transmission algorithm **1100** executed by the controller **230** of the daylight sensor **120** according to the fourth embodiment of the present invention, such that the daylight sensor **120** transmits digital messages using the variable transmission rate. The transmission algorithm **1100** of the fourth embodiment is similar to the transmission algorithm **300** of the first, second, and third embodiments (as shown in FIG. 7). The controller **230** first measures and stores the predetermined number N_{SMPL} of new total light intensity values at steps **310** and **312**. Next, the controller **230** determines the predicted light intensity value (s) at step **314** using, for example, any of the estimators described with reference to the first through third embodiments, and calculates the error between the measured total light intensity values and the predicted total light intensity values at step **316**.

However, according to the fourth embodiment, the controller **230** further analyzes the measured total light intensity values if the error calculated at step **316** is outside of the predetermined limits (i.e., is too great) at step **318**. Specifically, the controller **230** using the measured total light intensity values to calculate a data behavior metric at step **1124**, compares the calculated data behavior metric to predetermined data behavior metric limit(s) at step **1126**, and determines if the data is misbehaving at step **1128**, i.e., is outside of the data behavior metric limit(s). For example, the controller **230** may analyze the total light intensity values to determine if the rate of change of the total light intensity L_{T-SNSR} measured by the daylight sensor **120** is too great. If the data is not misbehaving at step **1128**, the controller **230** calculates the new estimator(s) for use during the subsequent time interval at step **320** and transmits a digital message including one or more values representative of the total light intensity L_{T-SNSR} as measured by the daylight sensor **120** to the dimmer switch **110** at step **322**, before the transmission algorithm **1100** loops around. If the data is misbehaving at step **1128**, the controller **230** does not calculate the new estimator(s) at step **320** and does not transmit the values representative of the total light intensity L_{T-SNSR} at step **324**, but simply analyzes the next non-overlapping time interval.

FIG. 16A is a simplified flowchart of a variable transmission control procedure **1200** executed by the controller **230** of the daylight sensor **120** periodically (e.g., approximately once every second) according to the fourth embodiment of the present invention. The variable transmission control procedure **1200** of the fourth embodiment is very similar to the variable transmission control procedure **400** of the first embodiment (as shown in FIG. 8). According to the fourth embodiment of the present invention, the controller **230** uses a single data point as the estimator (as in the first embodi-

ment). However, the controller **230** could alternatively use a linear prediction model or a parabolic prediction model to determine the estimators as described above with reference to the second and third embodiments respectively.

Referring to FIG. 16A, if the minimum sample adjustment percentage ΔS_{MIN} is greater than or equal to the first predetermined percentage ΔS_{MAX1} at step **430**, the controller **230** determines if the data (i.e., the samples $S[n]$ stored in the memory **246**) is misbehaving by determining if the total light intensity L_{T-SNSR} has changed by more than the second predetermined percentage ΔS_{MAX2} during the present time period T_{WIN} . Specifically, the controller **230** determines a present maximum sample $S_{MAX-PRS}$ of the samples $S[n]$ stored in the memory **246** (i.e., samples $S[0]$ through $S[N_{SMPL}]$) at step **1236**. The controller **230** then calculates a present sample adjustment amount ΔS_{PRS} , which is representative of the rate of change of the total light intensity L_{T-SNSR} , at step **1238** using the equation:

$$\Delta S_{PRS} = \frac{S_{MAX-PRS} - S_{MIN-PRS}}{S_{MAX-PRS}} \quad (\text{Equation 12})$$

If the present sample adjustment amount ΔS_{PRS} is greater than or equal to the second predetermined percentage ΔS_{MAX2} at step **1240**, the variable transmission control procedure **1200** exits without transmitting a digital message to the dimmer switch **110**. For example, the second predetermined percentage ΔS_{MAX2} may be approximately 10%, but may alternatively range from approximately 5% to 25%.

However, if the present sample adjustment amount ΔS_{PRS} is less than the second predetermined percentage ΔS_{MAX2} at step **1240**, the controller **230** sets the previous minimum sample $S_{MIN-PRV}$ equal to the present minimum sample $S_{MIN-PRS}$ at step **432**. The controller **230** then loads a digital message including a value representative of the total light intensity L_{T-SNSR} as measured by the daylight sensor **120** (i.e., the minimum present minimum sample $S_{MIN-PRS}$) in a transmit (TX) buffer at step **434**, before the variable transmission control procedure **1200** exits.

FIG. 16B is a plot of an example test waveform **1250** for the daylight sensor **120** of the fourth embodiment to be used in the test setup **650** shown in FIG. 10B. The test waveform **1250** comprises a pulsed waveform added on top of a linear ramp waveform and has peaks and valleys, such that the test waveform models the total light intensity L_{T-SNSR} as measured by the daylight sensor **120** on an intermittent-cloudy day. The test waveform **1250** has a minimum light intensity (during the valleys) that increases with respect to time at a first slope m_1 , and a maximum light intensity (during the peaks) that increases with respect to time at a second slope m_2 . Each of the peaks (during which the test waveform **1250** is at the maximum light intensity) have a length T_{PULSE} , which may be approximately five seconds. The magnitude of the test waveform **1250** during the valleys is approximately 15% of the magnitude of the test waveform during the peaks. When the test waveform **1250** is used in the test setup **650** to control the test lighting load **604**, the daylight sensor **120** of the fourth embodiment will not transmit digital messages in response to the temporary excursions of the light intensity during the peaks. Accordingly, the rate of transmission of the daylight sensor **120** of the fourth embodiment will remain constant at a rate determined by the slope m_1 of the valleys.

As described above, the controller **230** of the daylight sensor **120** of the first, second, third, and fourth embodiments collects the predetermined number N_{SMPL} of mea-

measurements of the total light intensity L_{T-SNSR} during consecutive non-overlapping time intervals, and only analyzes the measurements at the end of each time interval (i.e., as determined by the predetermined time period T_{WIN}). Alternatively, the controller **230** could analyze the measurements of the total light intensity L_{T-SNSR} in a sliding window time interval. Specifically, the controller **230** could store each new measurement of the total light intensity L_{T-SNSR} in a first-in, first-out (FIFO) register (e.g., having a size equal to the predetermined number N_{SMPL} of measurements). The controller **230** could then analyze the data stored in the FIFO registered each time that the controller samples the total light intensity control signal V_{TOT} .

In addition, the controller **230** of the daylight sensor **120** transmits digital messages including one or more values representative of the measured total light intensity L_{T-SNSR} according to the first, second, third, and fourth embodiments. According to a fifth embodiment of the present invention, each digital message transmitted by the daylight sensor **120** to the dimmer switch **110** may alternatively comprise a command, such as a specific new light intensity L_{NEW} for the lighting load **104**. The controller **230** of the daylight sensor **120** determines the new intensity levels L_{NEW} in response to the measured total light intensity L_{T-SNSR} . The dimmer switch **110** controls the present light intensity L_{PRES} of the lighting load **104** to the new light intensity L_{NEW} in response to receiving a digital message with a command from the daylight sensor **120**.

According to the fifth embodiment, each time the controller **230** of the daylight sensor **120** samples the total light intensity control signal V_{TOT} , the controller **230** calculates a new dimming percentage d_{NEW} , which may be transmitted to the dimmer switch **110**. As in the previous embodiments, the new dimming percentage d_{NEW} may be a number between zero and one, which is representative of the new light intensity L_{NEW} for the lighting load **104**. The controller **214** of the dimmer switch **110** is operable to determine the light intensity L_{NEW} from the new dimming percentage d_{NEW} received from the daylight sensor **120**, for example, by applying the new dimming percentage d_{NEW} to different dimming curves depending upon the load type of the lighting load. The controller **230** of the daylight sensor **120** only transmits digital messages to the dimmer switch **110** when the new dimming percentage d_{NEW} is outside a deadband, i.e., only when a change to the present light intensity L_{PRES} of the lighting load **104** is required. Accordingly, the daylight sensor **120** only transmits digital messages to the dimmer switch **110** using a variable transmission rate that is dependent upon the measured total light intensity L_{T-SNSR} .

In addition, the controller **230** may also store a historical record of the total light intensity L_{T-SNSR} as measured by the daylight sensor **120** each time the controller samples the total light intensity control signal V_{TOT} . The controller **230** is operable to determine when it is daytime and nighttime in response to the total light intensity control signal V_{TOT} and the historical record stored in the memory **246**. The controller **230** may increase the length of the sampling period T_{SMPL} (e.g., to approximately three seconds) during the nighttime, such that the controller samples the total light intensity control signal V_{TOT} less frequently and consumes even less power.

FIG. 17 is a simplified flowchart of a control procedure **1300** executed periodically (e.g., every one to three seconds) by the controller **230** of the daylight sensor **120** according to the fifth embodiment of the present invention. At step **1310**, the controller **230** enables the photosensitive circuit **231** by closing the switch **235** using the photosensitive circuit

enable control signal V_{PS_ENABLE} . The controller **230** waits for the time period T_{PD} (i.e., 50 msec) at step **1312** to allow the photosensitive diode current I_{PD} to become representative of the total light intensity L_{T-SNSR} at the daylight sensor **120**. The controller **230** then samples the total light intensity control signal V_{TOT} (using the ADC) to generate a new total light intensity sample S_{TOT} at step **1314**, and disables the photosensitive circuit **231** by opening the switch **235** using the photosensitive circuit enable control signal V_{PS_ENABLE} at step **1316**. At step **1318**, the total light intensity sample S_{TOT} is applied to a digital filter (such as a linear predictor) to generate a filtered total light intensity sample FS_{TOT} .

The controller **230** is operable to periodically store the filtered total light intensity samples FS_{TOT} (e.g., every 30 minutes) to create the historical record in the memory **246** of the total light intensity L_{T-SNSR} at the daylight sensor **120**. Specifically, if the controller **230** should store the present filtered total light intensity sample FS_{TOT} at step **1320**, the controller stores the present filtered total light intensity sample FS_{TOT} in the memory **246** at step **1322**.

Next, the controller **230** uses the filtered total light intensity sample FS_{TOT} and a present dimming percentage d_{PRES} to determine the new dimming percentage d_{NEW} for the lighting load **104** using similar calculations as the receive procedure **500** of the first embodiment. Specifically, the controller **230** calculates the light intensity L_{E-SNSR} measured by the daylight sensor **120** from only the lighting load **104** at step **1324**, calculates the light intensity L_{D-SNSR} at the daylight sensor **120** from only natural light at step **1326**, calculates the light intensity L_{D-TASK} on the task surface from only daylight at step **1328**, and calculates the new dimming percentage d_{NEW} at step **1330**.

At step **1332**, the controller **230** determines if the new dimming percentage d_{NEW} is outside of a deadband, e.g.,

$$d_{PRES} - \Delta < d_{NEW} < d_{PRES} + \Delta, \quad (\text{Equation 13})$$

where Δ represents a predetermined increment by which the new dimmer percentage d_{NEW} must differ from the present dimming percentage d_{PRES} before the daylight sensor **120** will transmit a digital message to the dimmer switch **110** causing the dimmer switch to adjust the intensity of the lighting load **104** to the new intensity L_{NEW} . For example, the predetermined increment Δ may be approximately 1%. If the new dimming percentage d_{NEW} is within the deadband at step **1332**, the control procedure **1300** simply exits. However, if the new dimming percentage d_{NEW} is outside the deadband at step **1332**, the controller **230** stores the new dimming percentage d_{NEW} as the present dimming percentage d_{PRES} at step **1334**. The controller **230** loads a digital message (including a command to control the intensity of the lighting load **104** according to the new dimming percentage d_{NEW}) into a transmit (TX) buffer at step **1336**, before the control procedure **1300** exits.

A lighting control systems including wired daylight sensors (i.e., wired photosensors) is described in greater detail in U.S. Pat. No. 7,369,060, issued May 6, 2008, entitled DISTRIBUTED INTELLIGENCE BALLAST SYSTEM AND EXTENDED LIGHTING CONTROL PROTOCOL, the entire disclosures of which is hereby incorporated by reference.

While the present invention has been described with reference to the dimmer switch **110** for controlling the intensity of the lighting load **104**, the concepts of the present invention could be applied to load control systems comprising other types of load control devices, such as, for example, fan-speed controls for fan motors, electronic dimming ballasts for fluorescent loads, and drivers for light-emitting

diodes (LEDs). Further, the concepts of the present invention could be used to control other types of electrical loads, such as, for example, fan motors or motorized window treatments.

Although the present invention has been described in relation to particular embodiments thereof, many other variations and modifications and other uses will become apparent to those skilled in the art. It is preferred, therefore, that the present invention be limited not by the specific disclosure herein, but only by the appended claims.

The invention claimed is:

1. A wireless battery-powered daylight sensor for measuring a [total] light intensity [in a space], the sensor comprising:

a photosensitive circuit operable to generate a light intensity control signal in response to the [total] light intensity [in the space];

a wireless transmitter for transmitting wireless signals;

a controller coupled to the photosensitive circuit and the wireless transmitter, the controller operable to transmit wireless signals in response to the light intensity control signal, the controller operable to periodically sample the light intensity control signal, the wireless signals comprising digital messages, each digital message including a value representative of the [total] light intensity;

a memory coupled to the controller for storing sampled light intensity values; and

a battery for powering the photosensitive circuit, the wireless transmitter, and the controller;

wherein the controller is operable to analyze the sampled light intensity values stored in the memory to determine an amount of change of the [total] light intensity [in the space], the controller operable to transmit the wireless signals using a variable transmission rate that is dependent upon the amount of change of the [total] light intensity [in the space].

2. The daylight sensor of claim 1, wherein the controller determines at least one predicted light intensity value and calculates an error between the sampled light intensity values and the at least one predicted light intensity value, the controller operable to transmit a digital message if the error is too great.

3. The daylight sensor of claim 2, wherein the controller periodically samples the light intensity control signal and stores the samples in memory, the controller operable to analyze the samples stored in memory using a sliding window time interval to determine the amount of change of the [total] light intensity [in the space].

4. The daylight sensor of claim 2, wherein the controller collects a predetermined number of sampled light intensity values during consecutive non-overlapping time intervals, the controller operable to analyze the sampled light intensity values of each time interval to determine the amount of change of the [total] light intensity [in the space].

5. The daylight sensor of claim 4, wherein the controller is operable to analyze the samples stored in the memory to determine if the data is misbehaving.

6. The daylight sensor of claim 5, wherein the controller calculates a behavior metric and determines if the data behavior metric is outside of one or more data behavior metric limits.

7. The daylight sensor of claim 4, wherein the controller determines at least one estimator during a previous time interval, and uses the at least one estimator to determine the at least one predicted light intensity value during a present time interval.

8. The daylight sensor of claim 7, wherein the controller calculates multiple predicted light intensity values during the present time interval.

9. The daylight sensor of claim 8, wherein the controller uses a linear prediction model to calculate the multiple predicted light intensity values, the estimators comprising a slope and an offset of a line that best represents the change of the [total] light intensity [in the space].

10. The daylight sensor of claim 9, wherein the controller transmits the slope and the offset of the line that best represents the change of the [total] light intensity [in the space] when the error between the sampled light intensity values and the predicted light intensity values is too great.

11. The daylight sensor of claim 9, wherein the controller performs a linear least-squares fit to determine the slope and the offset of the line that best represents the change of the [total] light intensity [in the space].

12. The daylight sensor of claim 8, wherein the controller uses a parabolic prediction model to calculate the multiple predicted light intensity values, the estimators comprising coefficients of a parabola that best represents the change of the [total] light intensity [in the space].

13. The daylight sensor of claim 8, wherein the controller calculates a mean-square error between the predicted light intensity values and the sampled light intensity values, the controller operable to transmit a digital message if the mean-square error exceeds a maximum error.

14. The daylight sensor of claim 7, wherein the estimator comprises a minimum sampled light intensity value from the previous time interval, the controller operable to transmit a digital message if the difference between the estimator and a minimum sampled light intensity value from the present time interval exceeds a maximum error.

15. The daylight sensor of claim 14, wherein the controller transmits the minimum sampled light intensity value from the present time interval when the difference between the estimator and a minimum sampled light intensity value from the present time interval exceeds the maximum error.

16. The daylight sensor of claim 7, wherein the estimator comprises an average value of the sampled light intensity values from the previous time interval, the controller operable to transmit a digital message if the difference between the estimator and an average value of the sampled light intensity values from the present time interval exceeds a maximum error.

17. The daylight sensor of claim 7, wherein the estimator comprises a median value of the sampled light intensity values from the previous time interval, the controller operable to transmit a digital message if the difference between the estimator and a median value of the sampled light intensity values from the present time interval exceeds a maximum error.

18. The daylight sensor of claim 6, wherein the data behavior metric comprises a rate of change of the [total] light intensity [in the space].

19. The daylight sensor of claim 18, wherein the controller is operable to transmit a digital message if the rate of change of the [total] light intensity [in the space] is within the one or more data behavior metric limits.

20. The daylight sensor of claim 19, wherein the controller uses a maximum sampled light intensity value and a minimum sampled light intensity value from the present time interval to determine if the rate of change of the [total] light intensity [in the space] is within the one or more data behavior metric limits.

25

21. The daylight sensor of claim 6, wherein the data behavior metric comprises a dynamic change in the [total] light intensity [in the space].

22. A method of transmitting a digital message in response to a [total] light intensity [in a space], the method comprising:

measuring the [total] light intensity [in the space];
 generating a light intensity control signal in response to the [total] light intensity [in the space];
 periodically sampling the light intensity control signal;
 storing sampled light intensity values in memory;
 analyzing the sampled light intensity values stored in the memory to determine a rate of change of the [total] light intensity [in the space]; and
 transmitting digital messages using a variable transmission rate that is dependent upon an amount of change of the [total] light intensity [in the space] and the rate of change of the [total] light intensity [in the space], each digital message including a value representative of the [total] light intensity.

23. The method of claim 22, wherein the step of transmitting wireless signals further comprises transmitting a digital message if the rate of change of the [total] light intensity is within predetermined limits.

24. A method of transmitting a digital message *for controlling a lighting load* in response to a [total] light intensity [in a space], the method comprising:

measuring the [total] light intensity [in the space];
 generating a light intensity control signal in response to the [total] light intensity [in the space];
 determining a new light intensity for the lighting load in response to the light intensity control signal, *where the new light intensity can range from a minimum intensity to a maximum intensity*; and

wirelessly transmitting digital messages if the new light intensity differs from a present light intensity of the lighting load by a predetermined increment, such that the digital messages are transmitted using a variable transmission rate that is dependent upon the [total] light intensity [in the space], each digital message including a command to control [a] *the* lighting load in response to the [total] light intensity.

25. The method of claim 24, wherein the variable transmission rate is also dependent upon a dynamic change in the [total] light intensity [in the space].

26. A wireless battery-powered daylight sensor for measuring a [total] light intensity [in a space], the sensor comprising:

a photosensitive circuit operable to generate a light intensity control signal in response to the [total] light intensity [in the space];

a wireless transmitter for transmitting wireless signals;

a controller coupled to the photosensitive circuit and the wireless transmitter, the controller operable to transmit wireless signals in response to the light intensity control signal, the controller operable to periodically sample the light intensity control signal, the wireless signals comprising digital messages, each digital message including a value representative of the [total] light intensity;

a memory coupled to the controller for storing sampled light intensity values; and

a battery for powering the photosensitive circuit, the wireless transmitter, and the controller;

wherein the controller is operable to analyze the samples stored in the memory to determine a rate of change of the [total] light intensity [in the space], the controller

26

operable to transmit the wireless signals using a variable transmission rate that is dependent upon the rate of change of the [total] light intensity [in the space].

27. The daylight sensor of claim 26, wherein the controller does not transmit a digital message if the rate of change of the [total] light intensity is outside of predetermined limits.

28. A load control system for controlling the power delivered from an AC power source to an electrical load located in [a space of] a building, the load control system comprising:

a load control device coupled in series electrical connection between the source and the load for controlling the power delivered to the load; and

a wireless battery-powered daylight sensor for measuring a light intensity [in the space], the *daylight* sensor operable to wirelessly transmit digital messages to the load control device in response to the light intensity control signal, each digital message including a value representative of the light intensity [in the space], such that the load control device controls the power delivered to the load in response to the light intensity [in the space], *the daylight sensor comprising* a controller operable to transmit the digital messages using a variable transmission rate that is dependent upon an amount of change of the light intensity [in the space]; wherein the controller does not transmit a digital message if a data is misbehaving.

29. A wireless battery-powered daylight sensor for measuring a [total] light intensity [in a space], the sensor comprising:

a photosensitive circuit operable to generate a light intensity control signal in response to the [total] light intensity [in the space], *the photosensitive circuit comprising a photosensitive diode for conducting a photosensitive diode current having a magnitude representative of the light intensity, the photosensitive circuit comprising an amplifier operable to generate the light intensity control signal in response to the photosensitive diode current, the photosensitive circuit further comprising a controllable switch coupled in series with the photosensitive diode*;

a wireless transmitter for transmitting wireless signals;

a controller coupled to *the controllable switch* of the photosensitive circuit and the wireless transmitter, the controller operable to transmit wireless signals in response to the light intensity control signal, the controller operable to transmit wireless signals using a variable transmission rate that is dependent upon the [total] light intensity [in the space]; and

a battery for powering *the photosensitive diode and the amplifier* of the photosensitive circuit, the wireless transmitter, and the controller;

wherein the controller is operable to [enable the photosensitive circuit] *close the controllable switch* and subsequently sample the light intensity control signal at a sampling period, the controller further operable to [disable the photosensitive circuit] *open the controllable switch* after the light intensity control signal has been sampled, such that *the photosensitive diode* of the photosensitive circuit only draws current from the battery for a small time period during each sampling period.

30. The daylight sensor of claim 29, wherein the controller is operable determine a new light intensity for [the] a lighting load in response to the light intensity control signal, the controller operable to transmit a digital signal if the new

light intensity differs from a present light intensity of the lighting load by a predetermined increment.

31. The daylight sensor of claim 29, wherein the variable transmission rate is also dependent upon a dynamic change in the [total] light intensity [in the space].

[32. A wireless battery-powered daylight sensor for measuring a total light intensity in a space, the sensor comprising:

a photosensitive circuit operable to generate a light intensity control signal in response to the total light intensity in the space;

a wireless transmitter for transmitting wireless signals;

a controller coupled to the photosensitive circuit and the wireless transmitter, the controller operable to transmit wireless signals in response to the light intensity control signal, the controller operable to transmit wireless signals using a variable transmission rate that is dependent upon the total light intensity in the space; and

a battery for powering the photosensitive circuit, the wireless transmitter, and the controller;

wherein the controller is operable to disable the photosensitive circuit, such that the photosensitive circuit does not draw current from the battery when the wireless transmitter is not transmitting a wireless signal.]

33. A wireless battery-powered daylight sensor for measuring a [total] light intensity [in a space], the sensor comprising:

a photosensitive circuit operable to generate a light intensity control signal in response to the [total] light intensity [in the space], *the photosensitive circuit comprising a photosensitive diode for conducting a photosensitive diode current having a magnitude representative of the light intensity, the photosensitive circuit comprising an amplifier operable to generate the light intensity control signal in response to the photosensitive diode current, the photosensitive circuit further comprising a controllable switch coupled in series with the photosensitive diode;*

a wireless transmitter for transmitting wireless signals;

a controller coupled to *the controllable switch* of the photosensitive circuit and the wireless transmitter, the controller operable to transmit a wireless signal in response to the light intensity control signal; and

a battery for powering *the photosensitive diode and the amplifier* of the photosensitive circuit, the wireless transmitter, and the controller;

wherein the controller is operable to [disable the photosensitive circuit] *open the controllable switch*, such that *the photosensitive diode* of the photosensitive circuit does not draw current from the battery.

34. The sensor of claim 33, wherein [the photosensitive circuit comprises a photosensitive diode for conducting a photosensitive diode current having a magnitude responsive to the light intensity in the space,] the magnitude of the light intensity control signal *is* responsive to the magnitude of the photosensitive diode current.

35. The sensor of claim 34, wherein [the photosensitive circuit further comprises a controllable switch coupled in series with the photosensitive diode,] the photosensitive diode *is* operable to conduct the photosensitive diode current when the switch is closed, the controller [coupled] operable to *control* the switch [for opening the switch,] such that the photosensitive diode does not conduct the photosensitive diode current and the photosensitive circuit is disabled.

36. The sensor of claim 35, wherein the light intensity control signal is sampled periodically at a sampling rate and the switch is only closed for a portion of the time between each sample.

37. The sensor of claim 36, wherein the controller is operable to determine when it is nighttime in response to the light intensity control signal, and to decrease the sampling rate during the nighttime.

38. The sensor of claim 35, wherein the [photosensitive circuit further] *amplifier* comprises a transimpedance amplifier coupled between the photosensitive diode and the controller[, the transimpedance amplifier operable to generate the light intensity control signal in response to the photosensitive diode current].

39. The sensor of claim 33, wherein the daylight sensor operates as part of a lighting control system that comprises a dimmer switch for controlling the amount of power delivered to a lighting load, the controller operable to determine a new light intensity of the lighting load in response to the light intensity control signal, the controller operable to enable the wireless transmitter and to transmit a wireless signal if the new light intensity differs from a present light intensity of the lighting load by a predetermined increment.

40. The sensor of claim 33, wherein the controller is operable to enable the wireless transmitter and to transmit a wireless signal if the [total] light intensity [in the space] changes by a predetermined amount.

41. The sensor of claim 33, further comprising:

a wireless receiver coupled to the controller and operable to receive a wireless signal, the wireless receiver powered by the battery; and

a laser pointer circuit adapted to be exposed to light from a laser pointer, the laser pointer circuit coupled to the controller;

wherein the controller is operable to enable the wireless receiver in response to light from a laser pointer shining on the laser pointer circuit, and to subsequently receive a wireless signal.

42. The sensor of claim 33, wherein the controller is operable to [enable the photosensitive circuit] *close the controllable switch* and subsequently sample the light intensity control signal at a sampling period, the controller further operable to [disable the photosensitive circuit] *open the controllable switch* after the light intensity control signal has been sampled, such that the photosensitive circuit only draws current from the battery for a small time period during each sampling period.

43. A wireless battery-powered daylight sensor for measuring a [total] light intensity [in a space], the daylight sensor operates as part of a lighting control system that comprises a dimmer switch for controlling the amount of power delivered to a lighting load, the sensor comprising:

a photosensitive circuit operable to generate a light intensity control signal in response to the [total] light intensity [in the space];

a wireless transmitter for transmitting wireless signals;

a controller coupled to the photosensitive circuit and the wireless transmitter, the controller operable to determine, in response to the light intensity control signal, a new light intensity to which the dimmer switch should control the intensity of the lighting load, *where the new light intensity can range from a minimum intensity to a maximum intensity;*

a battery for powering the photosensitive circuit, the wireless transmitter, and the controller;

wherein the controller is operable to enable the wireless transmitter and to transmit to the dimmer switch a wireless signal including a command that includes the new light intensity for the lighting load if the new light intensity differs from a present light intensity of the lighting load by a predetermined increment.

44. A wireless battery-powered daylight sensor for measuring a [total] light intensity [in a space], the sensor comprising:

a photosensitive circuit operable to generate a light intensity control signal in response to the [total] light intensity [in the space];

a wireless transceiver for transmitting and receiving wireless signals;

a laser pointer circuit adapted to be exposed to light from a laser pointer;

a controller coupled to the photosensitive circuit, the wireless transceiver, and the laser pointer circuit, the controller operable to transmit a wireless signal in response to the light intensity control signal;

a battery for powering the photosensitive circuit, the wireless transceiver, and the controller;

wherein the controller is operable to enable the wireless transceiver in response to light from a laser pointer shining on the laser pointer circuit, and to subsequently receive a wireless signal.

45. A load control system for controlling the power delivered from an AC power source to an electrical load located in [a space of] a building, the load control system comprising:

a load control device coupled in series electrical connection between the source and the load for controlling the power delivered to the load; and

a wireless battery-powered daylight sensor for measuring a light intensity [in the space], the *daylight* sensor operable to wirelessly transmit digital messages to the load control device in response to the light intensity control signal, each digital message including a value representative of the light intensity [in the space], such that the load control device controls the power delivered to the load in response to the light intensity [in the space], *the daylight sensor comprising* a controller operable to transmit the digital messages using a variable transmission rate that is dependent upon an amount of change of the light intensity [in the space] and a rate of change of the light intensity [in the space];

wherein the controller transmits a digital message if the rate of change of the [total] light intensity is within predetermined limits.

46. A load control system for controlling the power delivered from an AC power source to an electrical load located in [a space of] a building, the load control system comprising:

a load control device coupled in series electrical connection between the source and the load for controlling the power delivered to the load; and

a wireless battery-powered daylight sensor for measuring a light intensity [in the space], the *daylight* sensor operable to wirelessly transmit digital messages to the load control device in response to the light intensity control signal, each digital message including a value representative of the light intensity [in the space], such that the load control device controls the power delivered to the load in response to the light intensity [in the space], *the daylight sensor comprising* a controller operable to transmit the digital messages using a vari-

able transmission rate that is dependent upon an amount of change of the light intensity [in the space]; wherein the daylight sensor only transmits a digital message to the load control device if the light intensity [in the space] has changed by a predetermined amount.

47. A load control system for controlling the power delivered from an AC power source to a lighting load located in [a space of] a building, the load control system comprising:

a dimmer switch coupled in series electrical connection between the source and the lighting load for controlling the power delivered to the lighting load; and

a wireless battery-powered daylight sensor for measuring a light intensity [in the space], the *daylight* sensor operable to wirelessly transmit digital messages to the dimmer switch in response to the light intensity control signal, each digital message including a value representative of the light intensity [in the space], such that the dimmer switch controls the power delivered to the lighting load in response to the light intensity [in the space], *the daylight sensor comprising* a controller operable to transmit the digital messages using a variable transmission rate that is dependent upon the light intensity [in the space];

[A] wherein the daylight sensor is operable to determine a new light intensity for the lighting load in response to the light intensity [in the space], the daylight sensor operable to transmit a digital signal to the dimmer switch if the new light intensity differs from a present light intensity of the lighting load by a predetermined increment.

48. The system of claim 47, wherein the variable transmission rate is also dependent upon a dynamic change in the light intensity [in the space].

49. A method of transmitting a digital message in response to a [total] light intensity [in a space], the method comprising:

measuring the [total] light intensity [in the space];
generating a light intensity control signal in response to the [total] light intensity [in the space];
periodically sampling the light intensity control signal;
storing sampled light intensity values in memory;
analyzing the sampled light intensity values stored in the memory to determine an amount of change of the [total] light intensity [in the space]; and [by a controller]

transmitting digital messages by a controller using a variable transmission rate that is dependent upon the amount of change of the [total] light intensity [in the space], each digital message including a value representative of the [total] light intensity.

50. The method of claim 49, further comprising:
determining at least one predicted light intensity value; and

calculating an error between the sampled light intensity values and the at least one predicted light intensity value;

wherein the controller is operable to transmit a digital message if the error is too great.

51. The method of claim 50, further comprising:
collecting a predetermined number of sampled light intensity values during consecutive non-overlapping time intervals;

wherein the step of analyzing further comprises analyzing the sampled light intensity values of each time interval to determine the amount of change of the [total] light intensity [in the space].

31

52. The method of claim 50, further comprising:
periodically sampling the light intensity control signal;
storing the samples in memory; and
analyzing the samples stored in memory using a sliding
window time interval to determine the amount of
change of the [total] light intensity [in the space].

53. The method of claim 51, further comprising:
analyzing the samples stored in the memory to determine
if a data is misbehaving.

54. The method of claim 53, wherein the step of analyzing
the samples stored in the memory to determine if the data is
misbehaving further comprises calculating a behavior met-
ric, and determining if the data behavior metric is outside of
one or more data behavior metric limits.

55. The method of claim 54, wherein the data behavior
metric comprises a rate of change of the [total] light intensity
[in the space].

56. The method of claim 55, wherein the step of trans-
mitting wireless signals comprises transmitting a digital
message if the rate of change of the [total] light intensity [in
the space] is within the one or more data behavior metric
limits.

57. The method of claim 56, wherein the step of analyzing
the samples stored in the memory to determine is the data is
misbehaving further comprises using a maximum sampled
light intensity value and a minimum sampled light intensity
value from the present time interval to determine if the rate
of change of the [total] light intensity [in the space] is within
the one or more data behavior metric limits.

58. The method of claim 51, further comprising:
determining at least one estimator during a previous time
interval;

wherein the step of determining at least one predicted
light intensity value comprises using the at least one
estimator to determine the at least one predicted light
intensity value during a present time interval.

59. The method of claim 58, wherein the estimator
comprises a minimum sampled light intensity value from the
previous time interval, and the step of transmitting wireless
signals further comprises transmitting a digital message if
the difference between the estimator and a minimum
sampled light intensity value from the present time interval
exceeds a maximum error.

60. The method of claim 59, wherein the step of trans-
mitting wireless signals further comprises transmitting the
minimum sampled light intensity value from the present
time interval when the difference between the estimator and
a minimum sampled light intensity value from the present
time interval exceeds the maximum error.

61. The method of claim 58, wherein the estimator
comprises an average value of the sampled light intensity

32

values from the previous time interval, and the step of
transmitting wireless signals further comprises transmitting
a digital message if the difference between the estimator and
an average value of the sampled light intensity values from
the present time interval exceeds a maximum error.

62. The method of claim 58, wherein the estimator
comprises a median value of the sampled light intensity
values from the previous time interval, the step of transmit-
ting wireless signals further comprises transmitting a digital
message if the difference between the estimator and a
median value of the sampled light intensity values from the
present time interval exceeds a maximum error.

63. The method of claim 58, wherein the step of deter-
mining at least one predicted light intensity value comprises
calculating multiple predicted light intensity values during
the present time interval.

64. The method of claim 63, wherein the step of calcu-
lating multiple predicted light intensity values comprises
using a linear least-squares prediction model, the estimators
comprising a slope and an offset of a line that best represents
the change of the [total] light intensity [in the space].

65. The method of claim 64, wherein the step of trans-
mitting wireless signals comprises transmitting the slope and
the offset of the line that best represents the change of the
[total] light intensity [in the space] when the error between
the sampled light intensity values and the predicted light
intensity values is too great.

66. The method of claim 64, wherein the step of deter-
mining at least one estimator during a previous time interval
comprises performing a linear least-squares fit to determine
the slope and the offset of the line that best represents the
change of the [total] light intensity [in the space].

67. The method of claim 63, wherein the step of calcu-
lating multiple predicted light intensity values comprises
using a parabolic prediction model, the estimators compris-
ing coefficients of a parabola that best represents the change
of the [total] light intensity [in the space].

68. The method of claim 63, wherein the step of calcu-
lating multiple predicted light intensity values comprises
using a linear predictor to calculate the predicted light
intensity values.

69. The method of claim 63, further comprising:
calculating a mean-square error between the predicted
light intensity values and the sampled light intensity
values;

wherein the step of transmitting wireless signals com-
prises transmitting a digital message if the mean-square
error exceeds a maximum error.

* * * * *