



US00RE46580E

(19) **United States**  
(12) **Reissued Patent**  
**Johnson**

(10) **Patent Number:** **US RE46,580 E**  
(45) **Date of Reissued Patent:** **Oct. 24, 2017**

(54) **ENCLOSURE FOR A PERITONEAL DIALYSIS DEVICE**

D351,470 S \* 10/1994 Scherer et al. .... D24/169  
5,431,626 A 7/1995 Bryant et al.  
5,628,908 A 5/1997 Kamen et al.

(Continued)

(71) Applicant: **DEKA Products Limited Partnership**,  
Manchester, NH (US)

(72) Inventor: **Matthew J. Johnson**, Dunbarton, NH  
(US)

(73) Assignee: **DEKA Products Limited Partnership**,  
Manchester, NH (US)

(21) Appl. No.: **29/579,851**

(22) Filed: **Oct. 4, 2016**

**Related U.S. Patent Documents**

Reissue of:

(64) Patent No.: **Des. 724,742**  
Issued: **Mar. 17, 2015**  
Appl. No.: **29/493,117**  
Filed: **Jun. 5, 2014**

(51) **LOC (10) Cl.** ..... **24-01**

(52) **U.S. Cl.**  
USPC ..... **D24/169**

(58) **Field of Classification Search**  
USPC ..... D24/169, 186, 107, 108, 216, 219, 232;  
D14/355, 356, 167, 168, 240  
CPC ..... A61M 1/284; A61M 1/282; A61M  
2209/084; A61M 2205/128  
See application file for complete search history.

(56) **References Cited**

**U.S. PATENT DOCUMENTS**

D308,249 S \* 5/1990 Buckley ..... D24/169  
D341,890 S 11/1993 Sievert et al.  
5,350,357 A \* 9/1994 Kamen ..... A61M 1/28  
604/29

**OTHER PUBLICATIONS**

Ing et al., editors. *Dialysis: History, Development, and Promise*.  
Hackensack, NJ: World Scientific, 2012. 259-269.

(Continued)

*Primary Examiner* — Phillip S Hyder

(74) *Attorney, Agent, or Firm* — Wolf, Greenfield &  
Sacks, P.C.

(57) **CLAIM**

The ornamental design for [a rear panel of] an enclosure *for a peritoneal dialysis device*, as shown and described.

**DESCRIPTION**

FIG. 1 is a back, bottom, and left side perspective view of the [rear panel of an] enclosure *for a peritoneal dialysis device*, showing the new design;

FIG. 2 is a back, bottom, and right side perspective view thereof;

FIG. 3 is a back side elevational view thereof;

FIG. 4 is a bottom plan view thereof;

FIG. 5 is a top plan view thereof;

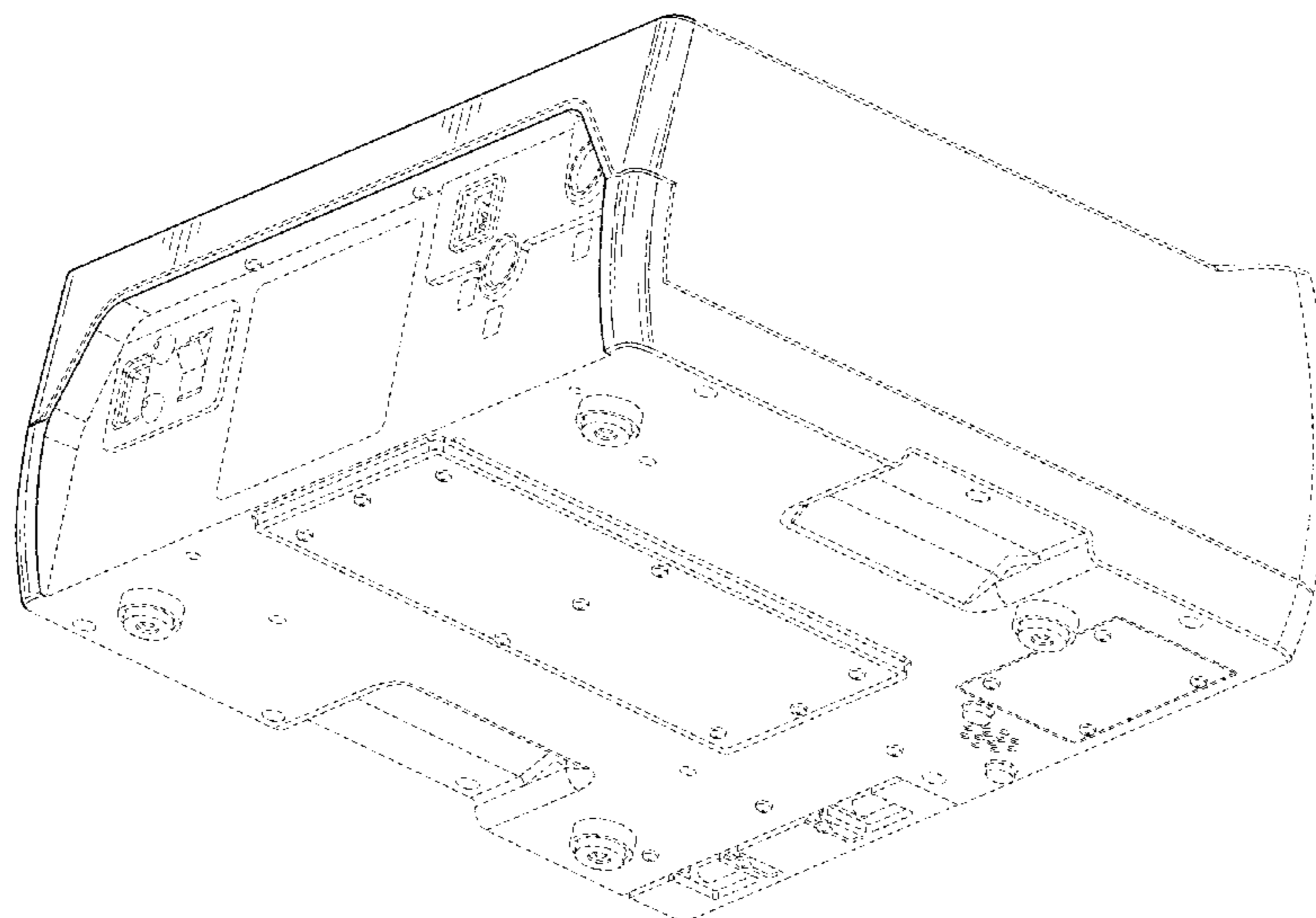
FIG. 6 is a left side elevational view thereof; and,

FIG. 7 is a right side elevational view thereof.

The broken lines [represent unclaimed] *depict* portions of the [rear panel of an] enclosure [and form no] *for a peritoneal dialysis device in which the design is embodied that are not considered* part of the claimed design.

**1 Claim, 6 Drawing Sheets**

**Matter enclosed in heavy brackets [ ] appears in the original patent but forms no part of this reissue; matter printed in italics indicates the additions made by reissue.**



(AMENDED)

(56)

References Cited

U.S. PATENT DOCUMENTS

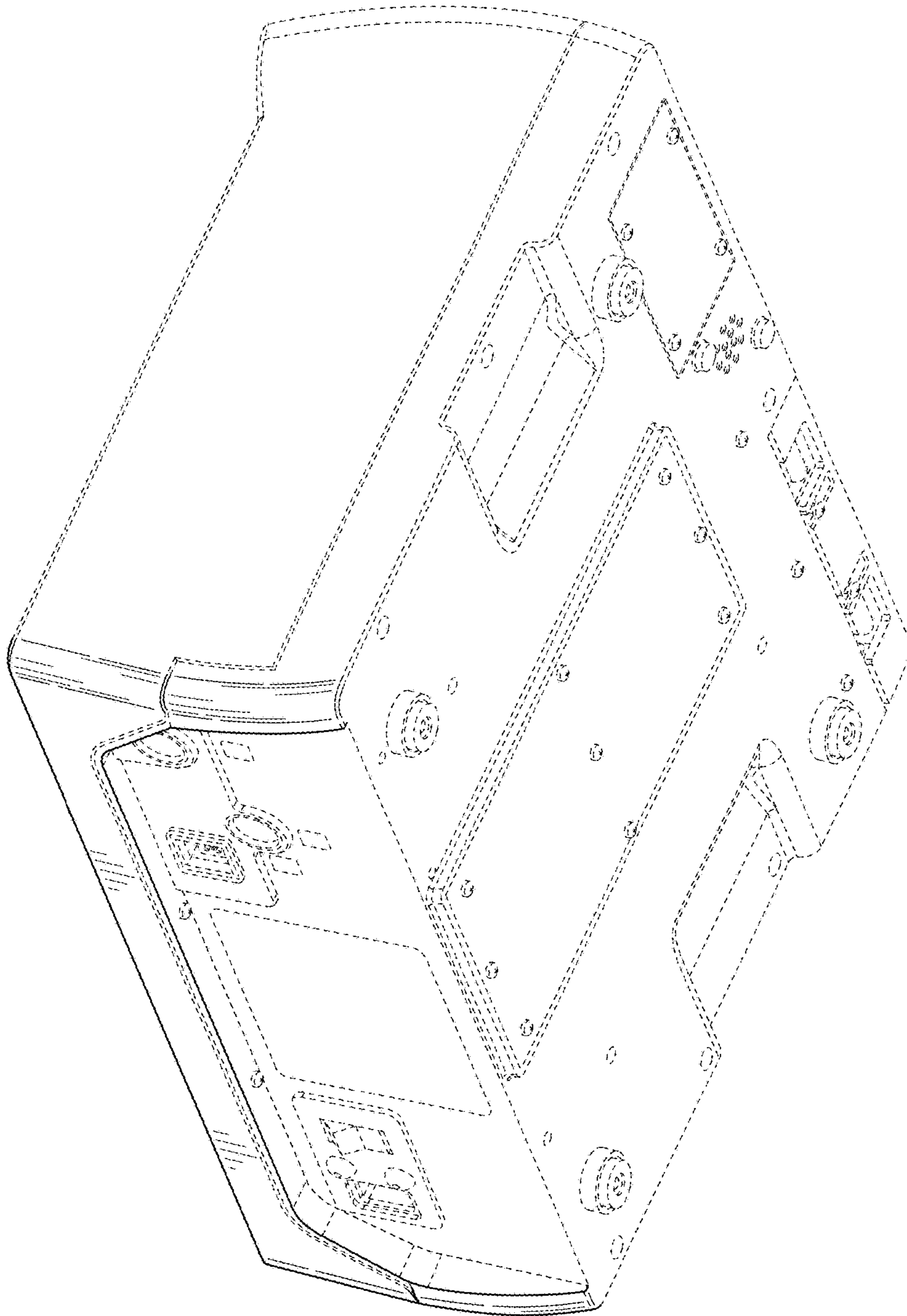
D386,634 S 11/1997 Daus  
D393,314 S 4/1998 Meisner et al.  
5,938,634 A 8/1999 Packard  
D483,206 S 12/2003 Schweikarth  
D534,275 S 12/2006 Hayamizu  
D556,910 S \* 12/2007 Reihanifam et al. .... D24/169  
D565,157 S 3/2008 Bates  
D565,178 S 3/2008 Tanaka  
D596,719 S 7/2009 Chen  
D609,350 S 2/2010 Hickey et al.  
D627,470 S \* 11/2010 Hickey et al. .... D24/169  
D637,293 S 5/2011 Hickey et al.  
D639,930 S \* 6/2011 Collins et al. .... D24/107  
D641,882 S 7/2011 Hickey et al.  
D645,157 S 9/2011 Fallon et al.  
D663,844 S 7/2012 McGill et al.  
D675,727 S 2/2013 Collins et al.  
D680,849 S 4/2013 Berger et al.  
8,512,553 B2 8/2013 Cicchello et al.  
8,720,913 B2 \* 5/2014 Fallon ..... B62B 3/02  
280/47.35  
D724,740 S 3/2015 Collins et al.  
D724,741 S 3/2015 Collins  
D724,742 S 3/2015 Johnson  
D725,277 S 3/2015 Gill  
D725,780 S 3/2015 Johnson  
D725,781 S 3/2015 Collins

D725,782 S 3/2015 Gill  
D745,646 S 12/2015 Schonherr et al.  
D748,229 S 1/2016 Yoshioka  
D750,764 S 3/2016 DeSocio  
D755,394 S 5/2016 Collins et al.  
D755,975 S 5/2016 Collins et al.  
D757,272 S 5/2016 Distler et al.  
2004/0156745 A1 \* 8/2004 Vandlik ..... A61M 1/0209  
422/44  
2004/0202561 A1 10/2004 Hershberger et al.  
2008/0015490 A1 1/2008 Hershberger et al.  
2009/0113335 A1 4/2009 Sandoe et al.  
2009/0222119 A1 9/2009 Plahey et al.  
2010/0087777 A1 \* 4/2010 Hopping ..... A61M 1/28  
604/29  
2013/0037142 A1 2/2013 Farrell  
2014/0018728 A1 1/2014 Plahey et al.

OTHER PUBLICATIONS

Baxter Healthcare Corporation. HomeChoice: HomeChoice PRO APD Systems Patient At-Home Guide. N.p.: Baxter Healthcare Corporation, Oct. 12, 2009: i, sect.-p. 5-8, 5-10, 20-3, 20-5, 20-19. Photographs of HomeChoice Automated Peritoneal Dialysis System cyclor, Baxter Healthcare Corporation. Photographs of HomeChoice PRO Automated Peritoneal Dialysis System cyclor, Baxter Healthcare Corporation.

\* cited by examiner



**FIG. 1**  
(AMENDED)

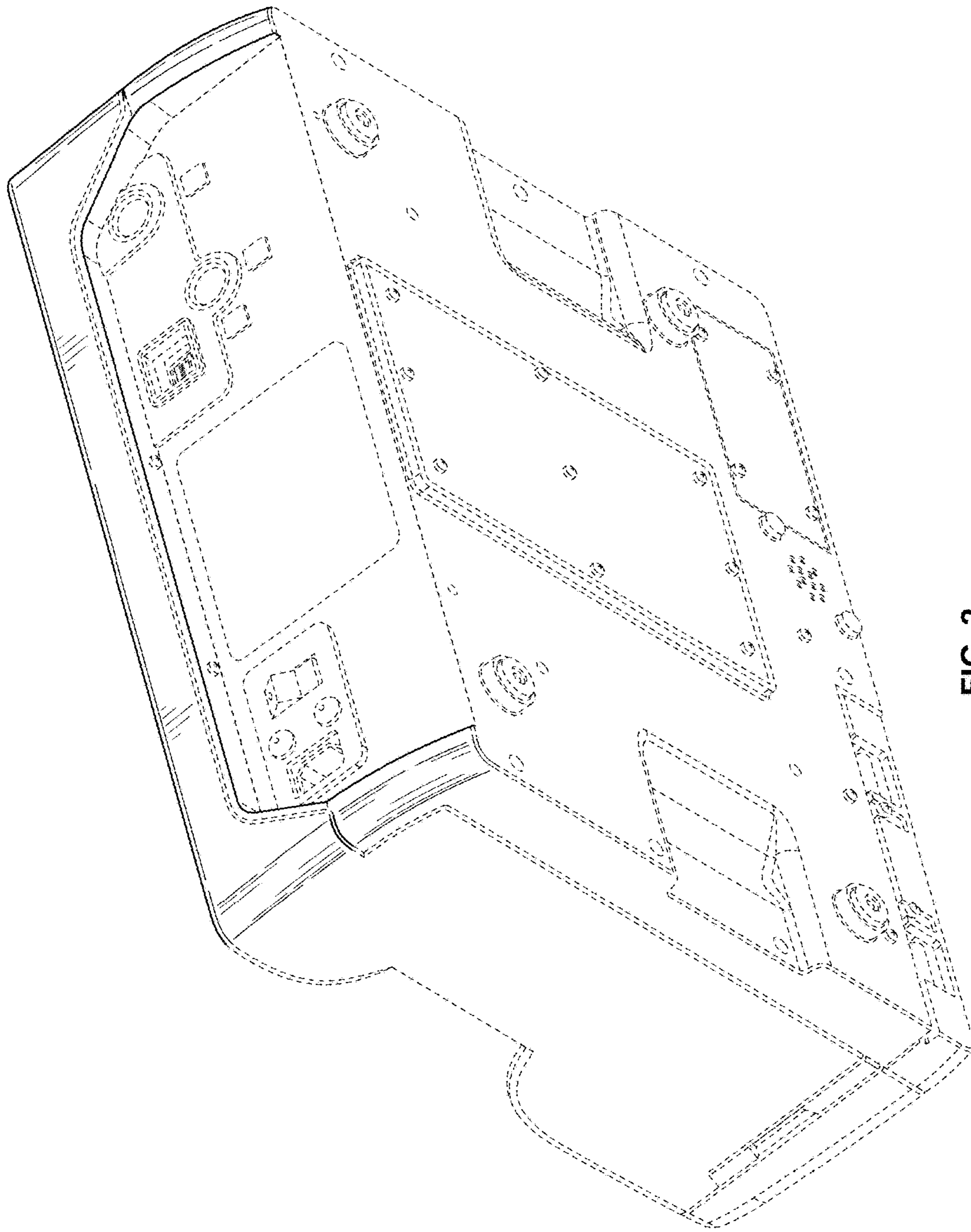
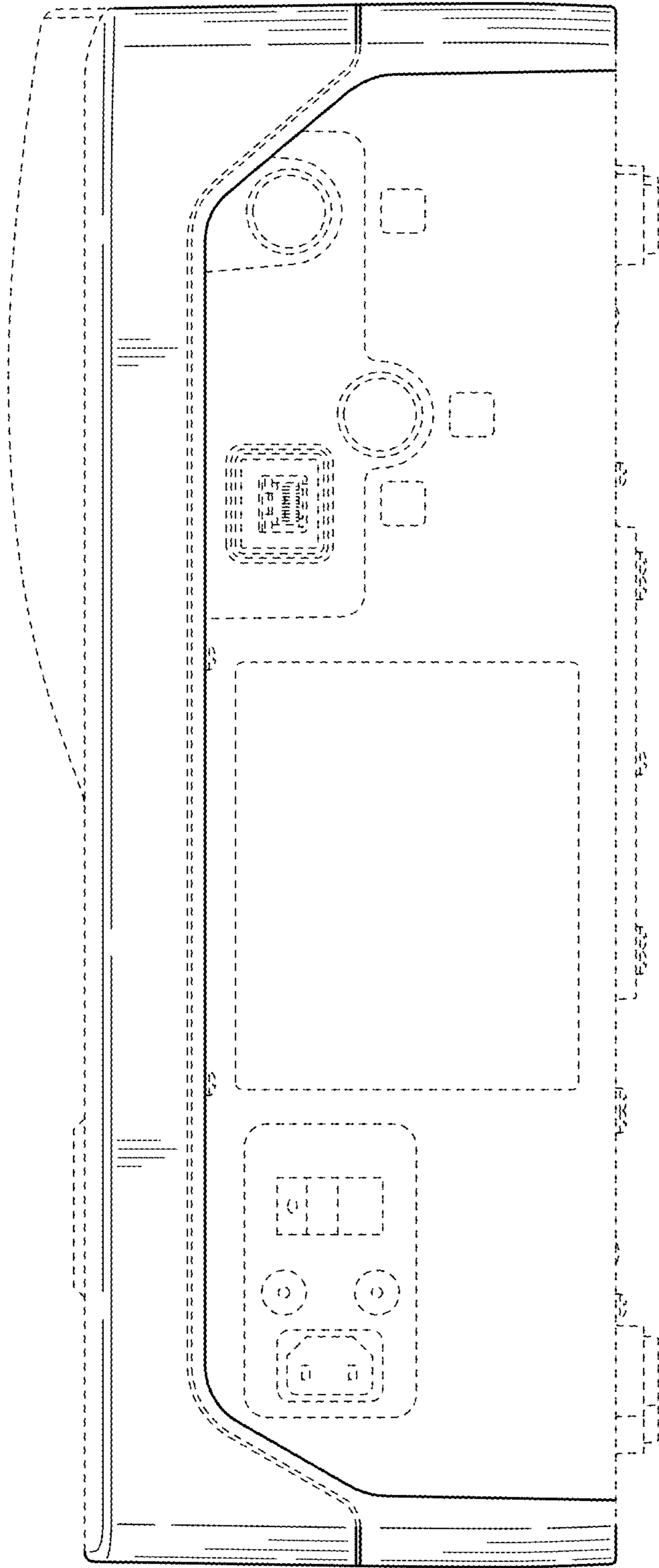


FIG. 2  
(AMENDED)



**FIG. 3**  
(AMENDED)

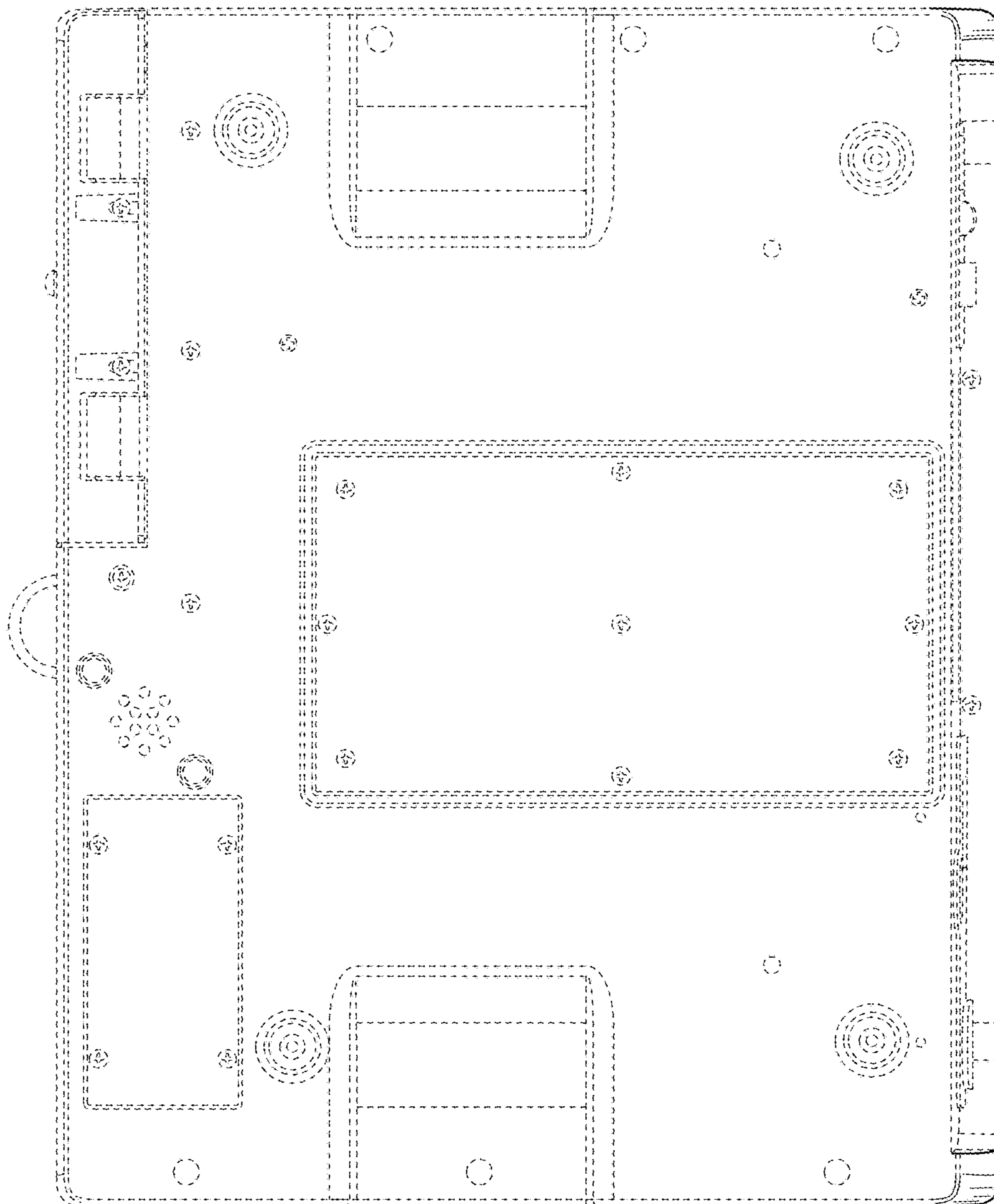


FIG. 4  
(AMENDED)

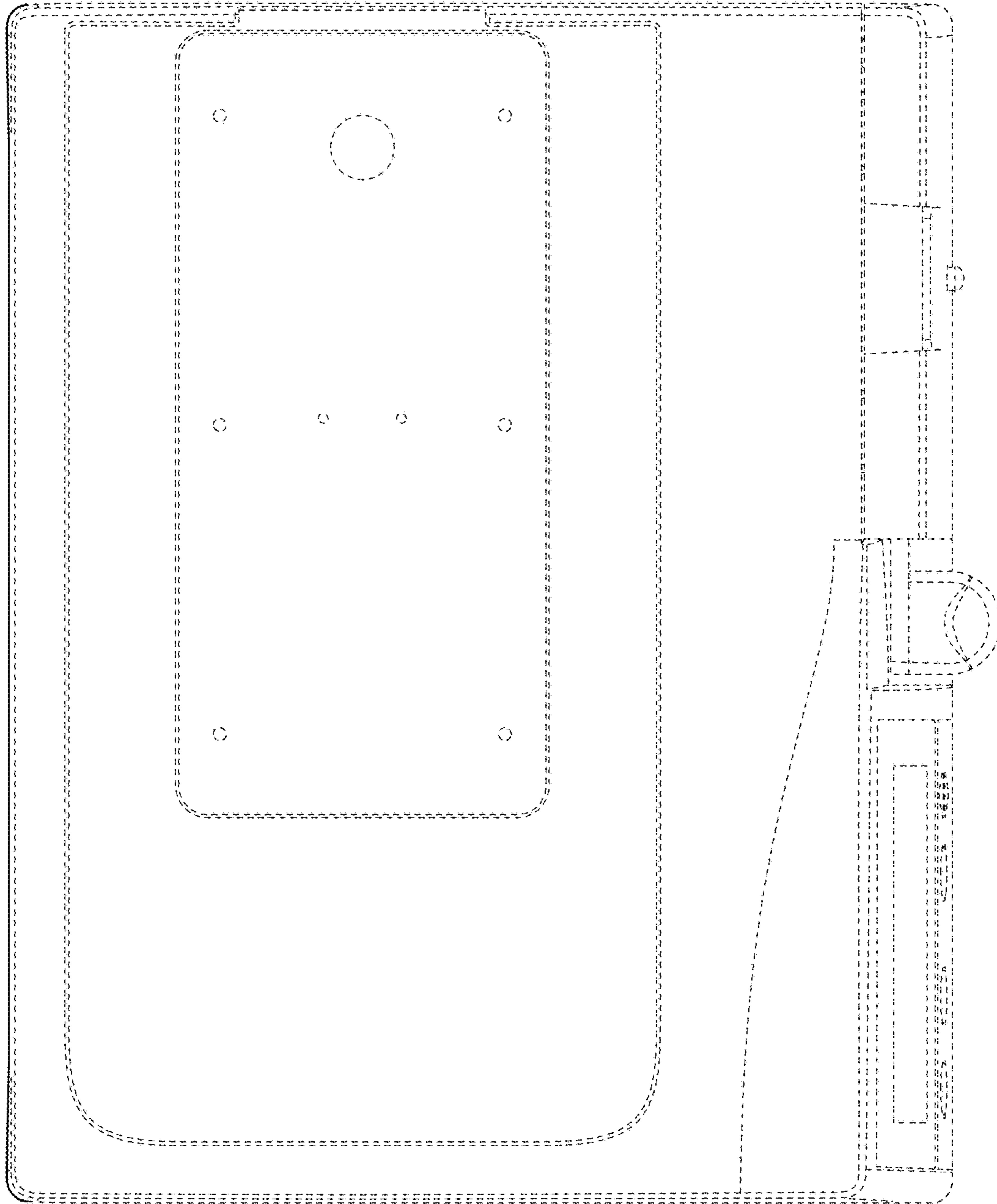


FIG. 5

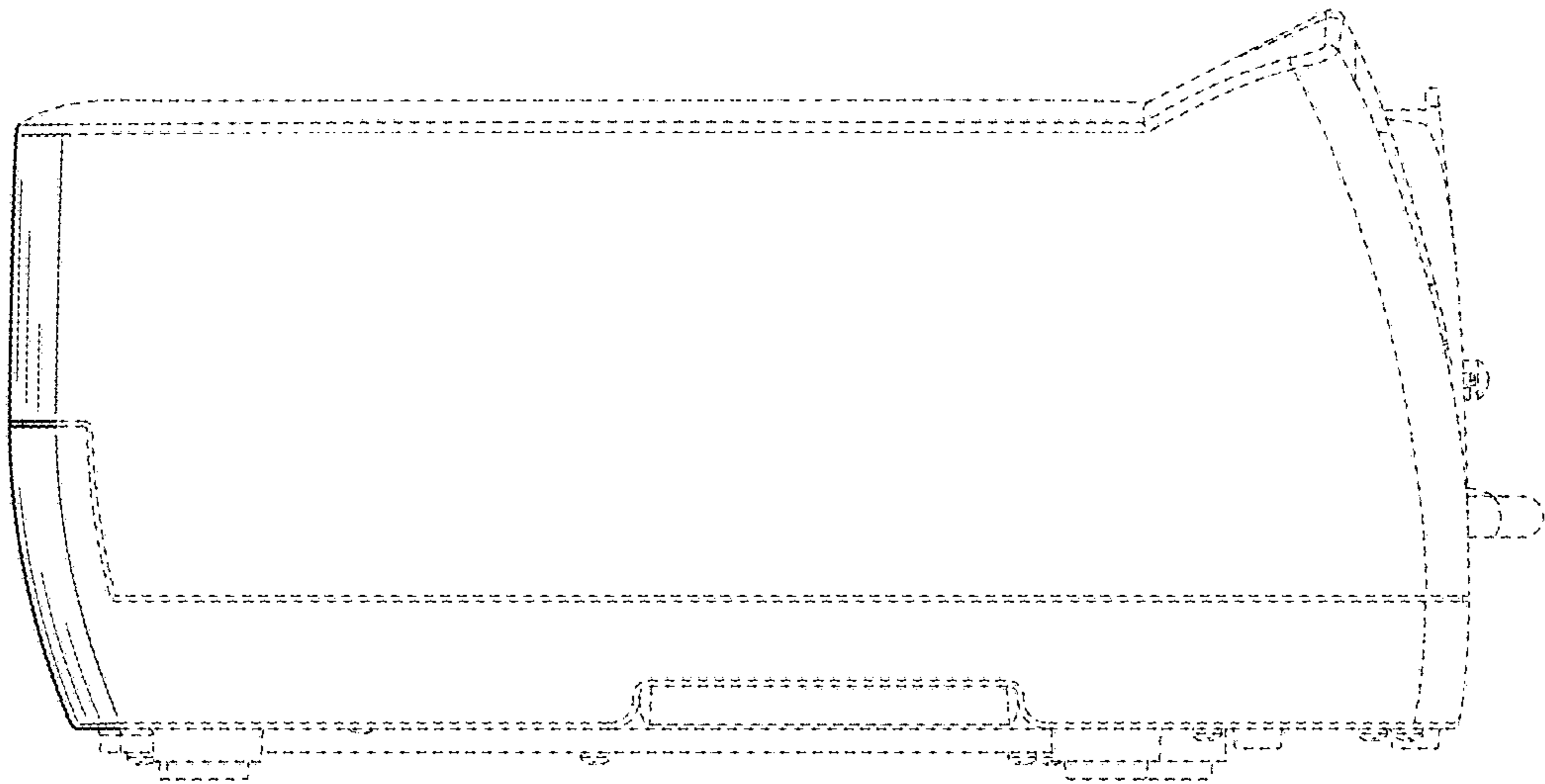


FIG. 6

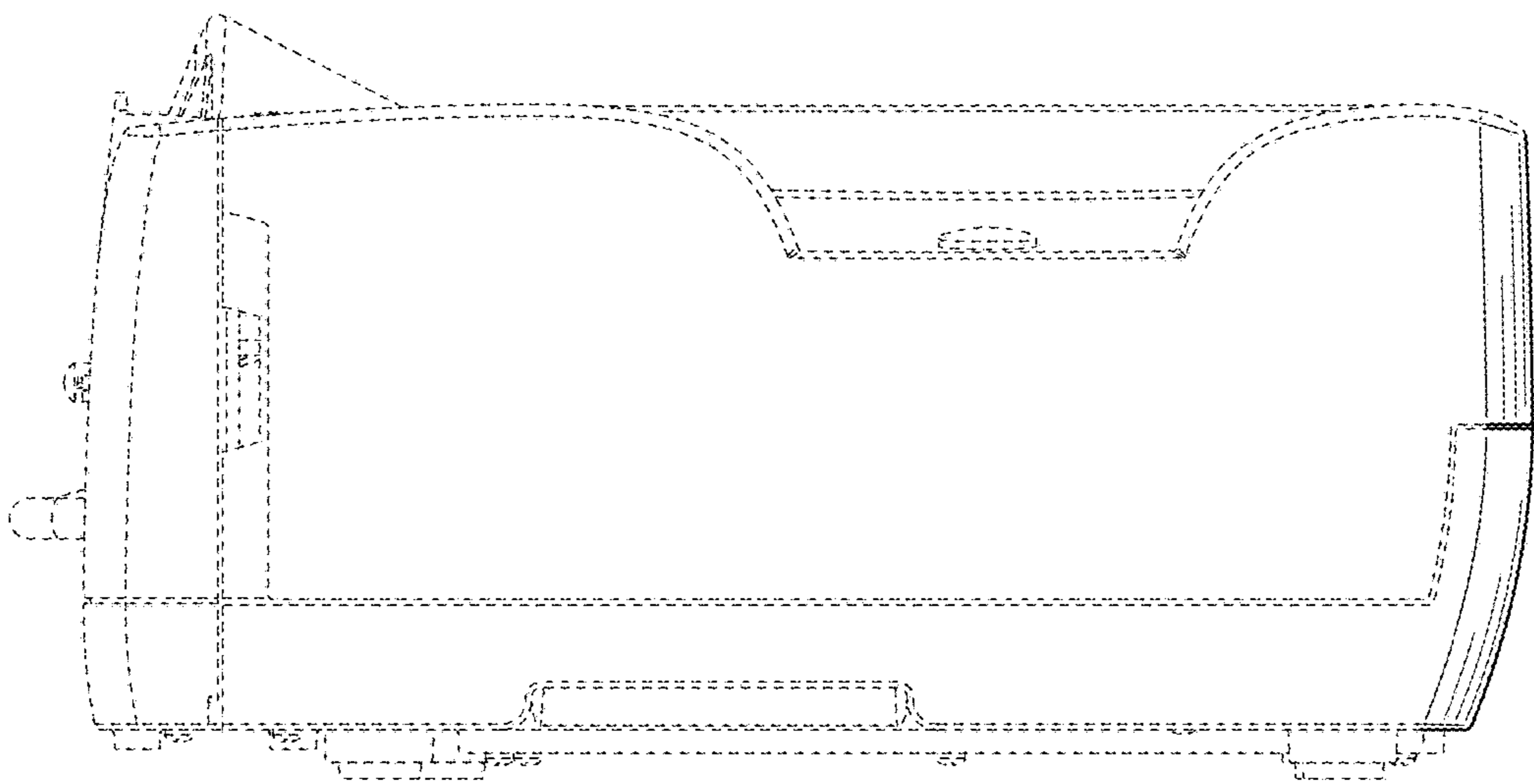


FIG. 7