



US00RE46577E

(19) **United States**
(12) **Reissued Patent**
Collins et al.

(10) **Patent Number:** **US RE46,577 E**
(45) **Date of Reissued Patent:** **Oct. 24, 2017**

(54) **ENCLOSURE FOR A PERITONEAL DIALYSIS DEVICE**

(71) Applicant: **DEKA Products Limited Partnership**,
Manchester, NH (US)

(72) Inventors: **David E. Collins**, Manchester, NH
(US); **Matthew R. Gill**, Cambridge,
MA (US); **Matthew J. Johnson**,
Dunbarton, NH (US)

(73) Assignee: **DEKA Products Limited Partnership**,
Manchester, NH (US)

(21) Appl. No.: **29/579,823**

(22) Filed: **Oct. 4, 2016**

Related U.S. Patent Documents

Reissue of:

(64) Patent No.: **Des. 724,740**
Issued: **Mar. 17, 2015**
Appl. No.: **29/493,099**
Filed: **Jun. 5, 2014**

(51) **LOC (10) Cl.** **24-01**

(52) **U.S. Cl.**
USPC **D24/169**

(58) **Field of Classification Search**
USPC D24/169, 186, 107, 108, 216, 219, 232
(Continued)

(56) **References Cited**

U.S. PATENT DOCUMENTS

D308,249 S * 5/1990 Buckley D24/169
D341,890 S 11/1993 Sievert et al.
(Continued)

OTHER PUBLICATIONS

ING et al., editors. Dialysis: History, Development, and Promise.
Hackensack, NJ: World Scientific, 2012. 259-269.

(Continued)

Primary Examiner — Phillip S Hyder

(74) *Attorney, Agent, or Firm* — Wolf, Greenfield &
Sacks, P.C.

(57) **CLAIM**

The ornamental design for an enclosure for a peritoneal dialysis device, as shown and described.

DESCRIPTION

FIG. 1 is a front, top, and right side perspective view of a *first embodiment of a new design of the enclosure for a peritoneal dialysis device*, showing the new design];

FIG. 2 is a front side elevational view thereof;

FIG. 3 is a rear side elevational view thereof;

FIG. 4 is a right side elevational view thereof[.];

FIG. 5 is a left side elevational view thereof;

FIG. 6 is a top plan view thereof;

FIG. 7 is a bottom plan view thereof;

FIG. 8 is a front, top, left side perspective view thereof;

FIG. 9 is a [back] rear, bottom, and right side perspective view thereof;

FIG. 10 is a front, bottom, and slight left side perspective view thereof;

FIG. 11 is a [back] rear, bottom, and left side perspective view thereof;

FIG. 12 is [another] a front, top, and right side perspective view [thereof] of a *second embodiment of the new design of the enclosure for a peritoneal dialysis device*, showing an open door thereof;

FIG. 13 is [another] a front side elevational view thereof[, showing an open door thereof];

FIG. 14 is [another] a rear side elevational view thereof[, showing an open door thereof];

FIG. 15 is [another] a right side elevational view thereof[, showing an open door thereof.];

FIG. 16 is [another] a left side elevational view thereof[, showing an open door thereof];

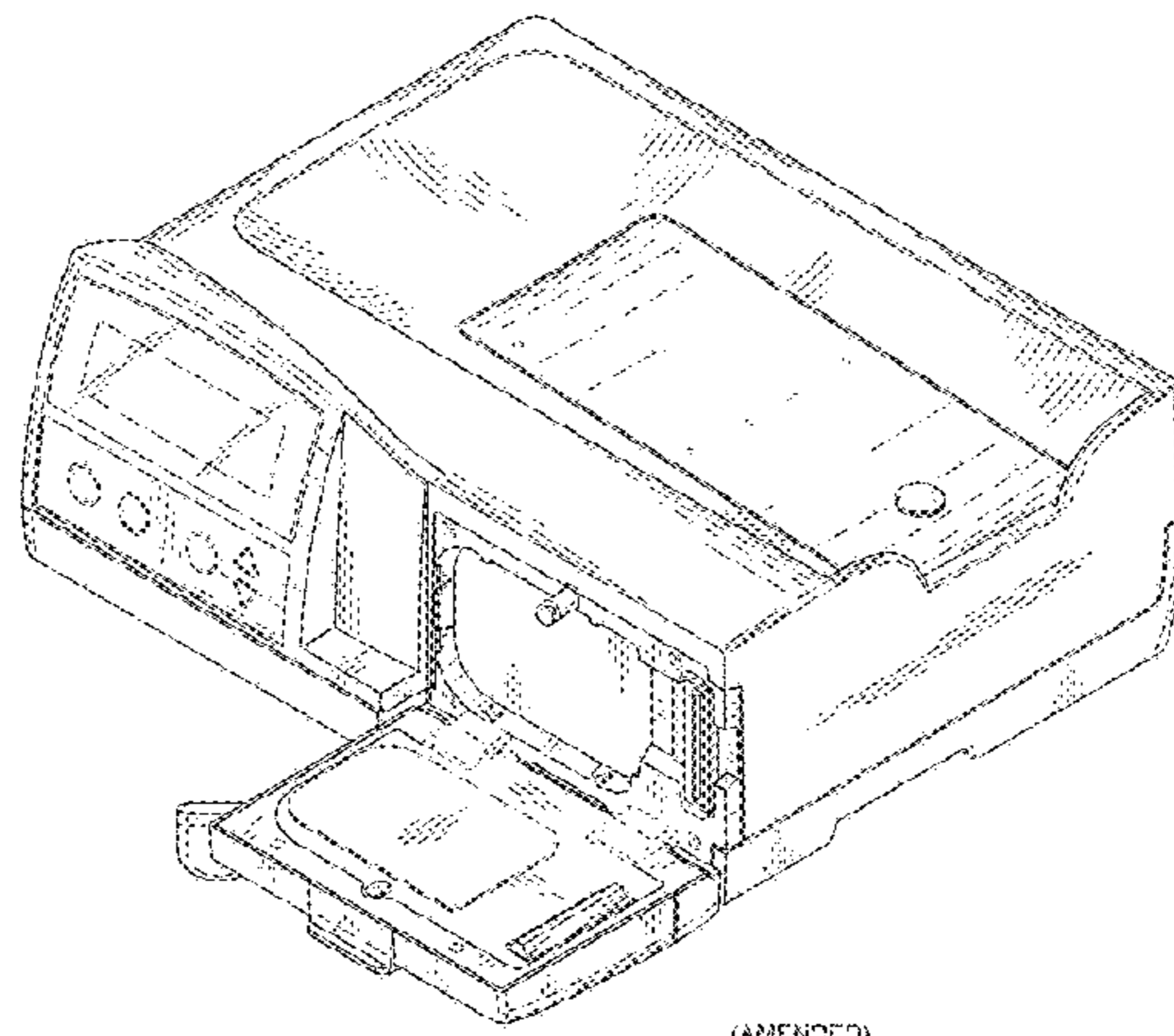
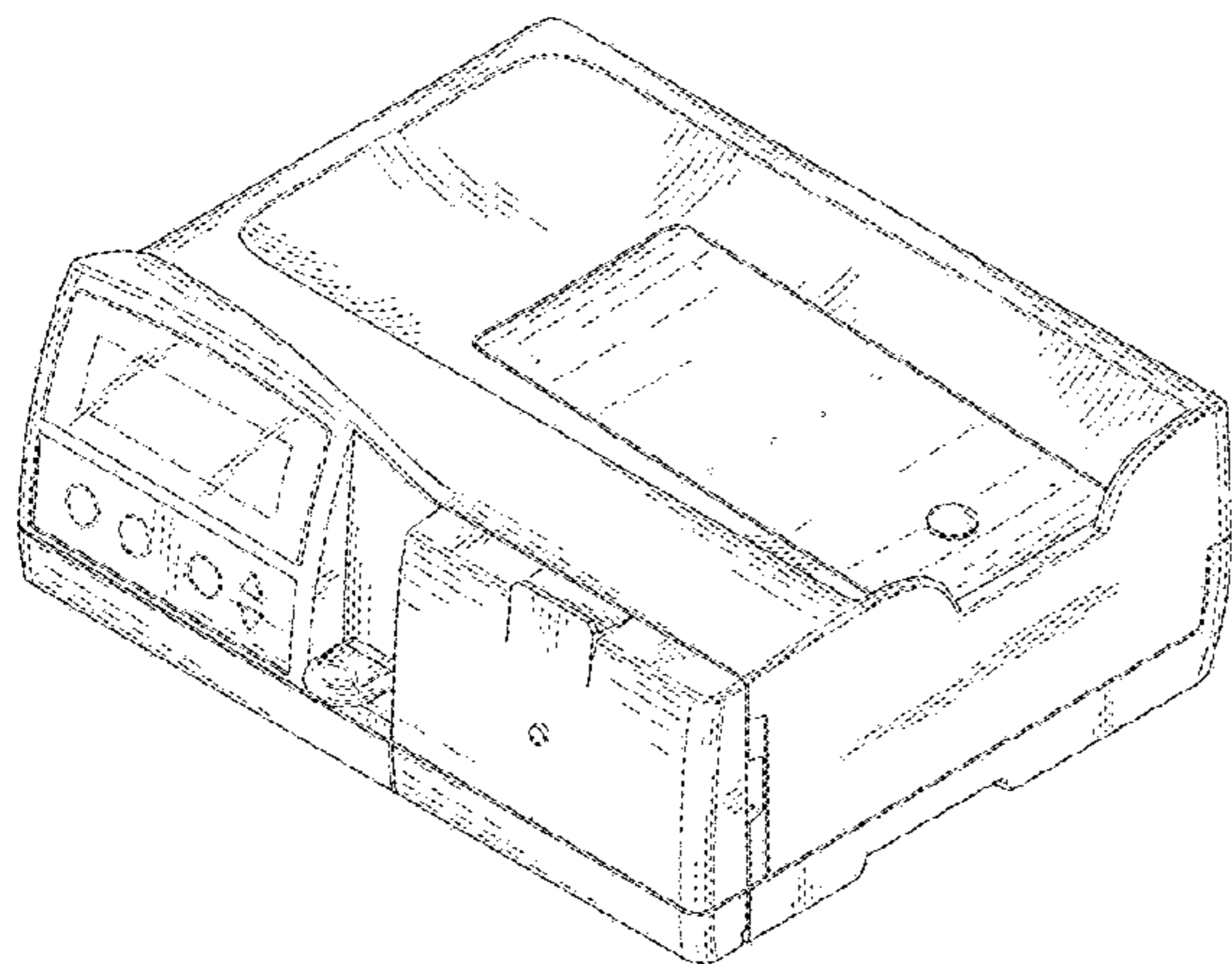
FIG. 17 is [another] a top plan view thereof[, showing an open door thereof]; and,

FIG. 18 is [another] a bottom plan view thereof[, showing an open door thereof].

The broken lines represent unclaimed portions of the enclosure for a peritoneal dialysis device and form no part of the claimed design.

1 Claim, 15 Drawing Sheets

Matter enclosed in heavy brackets [] appears in the original patent but forms no part of this reissue; matter printed in italics indicates the additions made by reissue.



(AMENDED)

(58) **Field of Classification Search**
 CPC A61M 1/284; A61M 1/282; A61M
 2209/084; A61M 2205/128
 See application file for complete search history.

(56) **References Cited**

U.S. PATENT DOCUMENTS

5,350,357 A * 9/1994 Kamen A61M 1/28
 604/29
 D351,470 S * 10/1994 Scherer et al. D24/169
 5,431,626 A * 7/1995 Bryant et al. 604/65
 5,628,908 A 5/1997 Kamen et al.
 D386,634 S 11/1997 Daugs
 D393,314 S 4/1998 Meisner et al.
 5,938,634 A * 8/1999 Packard 604/29
 D483,206 S 12/2003 Schweikarth
 D534,275 S 12/2006 Hayamizu
 D556,910 S * 12/2007 Reihanifam et al. D24/169
 D565,157 S 3/2008 Bates
 D565,178 S 3/2008 Tanaka
 D596,719 S 7/2009 Chen
 D609,350 S 2/2010 Hickey et al.
 D627,470 S 11/2010 Hickey et al.
 D637,293 S * 5/2011 Hickey et al. D24/169
 D639,930 S 6/2011 Collins et al.
 D641,882 S 7/2011 Hickey et al.
 D645,157 S * 9/2011 Fallon et al. D24/227
 D663,844 S 7/2012 McGill et al.
 D675,727 S 2/2013 Collins et al.
 D680,849 S 4/2013 Berger et al.
 8,512,553 B2 8/2013 Cicchello et al.
 8,720,913 B2 * 5/2014 Fallon B62B 3/02
 280/47.35

D724,740 S 3/2015 Collins et al.
 D724,741 S 3/2015 Collins
 D724,742 S 3/2015 Johnson
 D725,277 S 3/2015 Gill
 D725,780 S 3/2015 Johnson
 D725,781 S 3/2015 Collins
 D725,782 S 3/2015 Gill
 D745,646 S 12/2015 Schonherr et al.
 D748,229 S 1/2016 Yoshioka
 D750,764 S 3/2016 DeSocio
 D755,394 S 5/2016 Collins et al.
 D755,975 S 5/2016 Collins et al.
 D757,272 S 5/2016 Distler et al.
 2004/0156745 A1 * 8/2004 Vandlik A61M 1/0209
 422/44
 2004/0202561 A1 10/2004 Hershberger et al.
 2008/0015490 A1 1/2008 Hershberger et al.
 2009/0113335 A1 4/2009 Sandoe et al.
 2009/0222119 A1 * 9/2009 Plahey et al. 604/29
 2010/0087777 A1 * 4/2010 Hopping A61M 1/28
 604/29
 2013/0037142 A1 * 2/2013 Farrell 137/565.01
 2014/0018728 A1 * 1/2014 Plahey et al. 604/29

OTHER PUBLICATIONS

Baxter Healthcare Corporation. HomeChoice: HomeChoice PRO
 APD Systems Patient At-Home Guide. N.p.: Baxter Healthcare
 Corporation, Oct. 12, 2009: i, sect.-p. 5-8, 5-10, 20-3, 20-5, 20-19.
 Photographs of HomeChoice Automated Peritoneal Dialysis System
 cyclor, Baxter Healthcare Corporation.
 Photographs of HomeChoice PRO Automated Peritoneal Dialysis
 System cyclor, Baxter Healthcare Corporation.

* cited by examiner

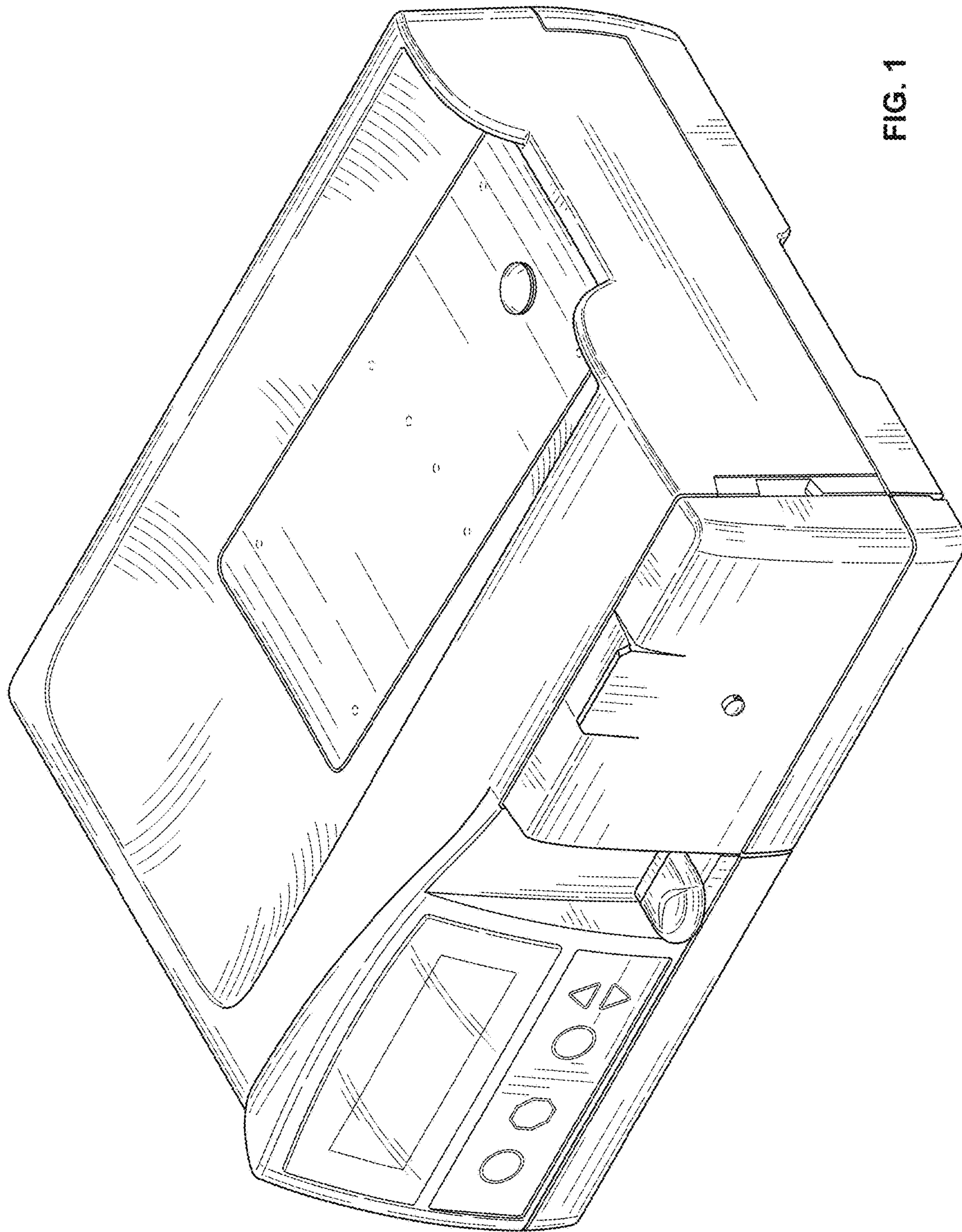


FIG. 1

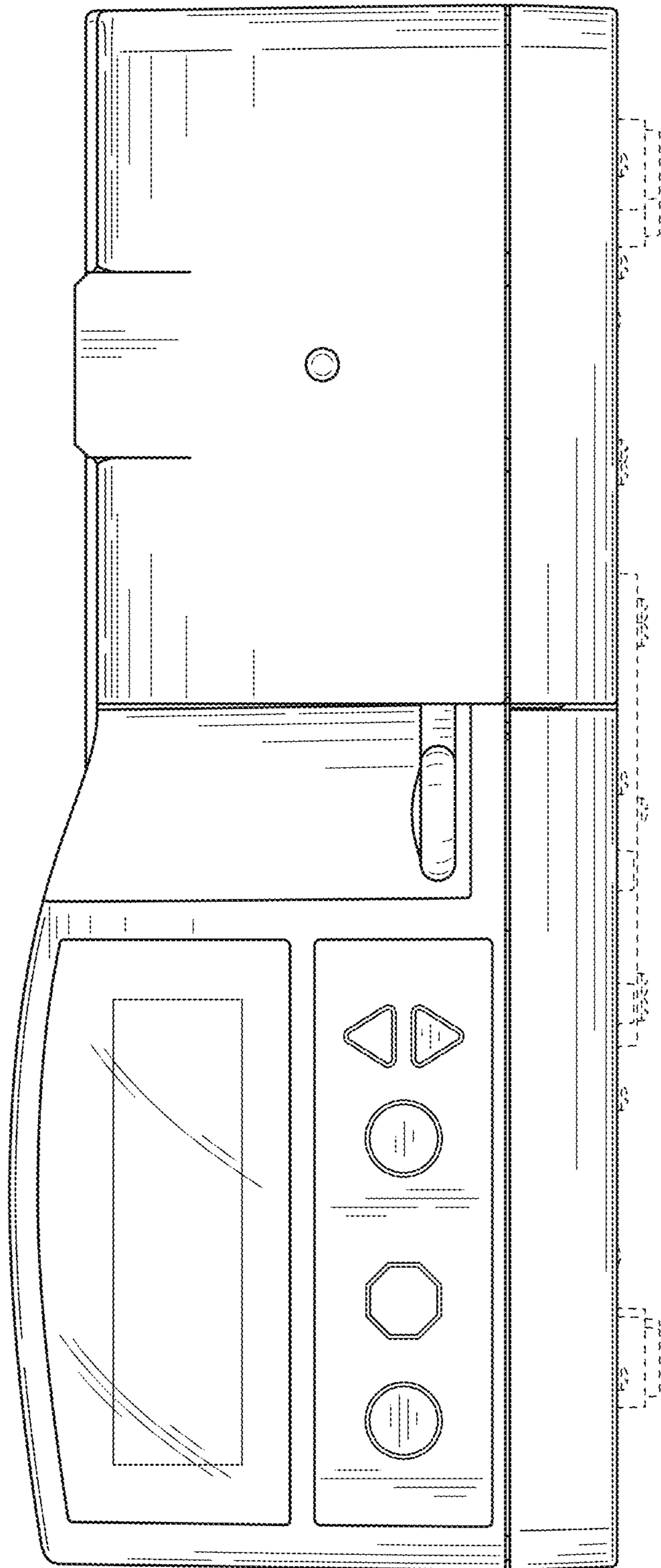


FIG. 2

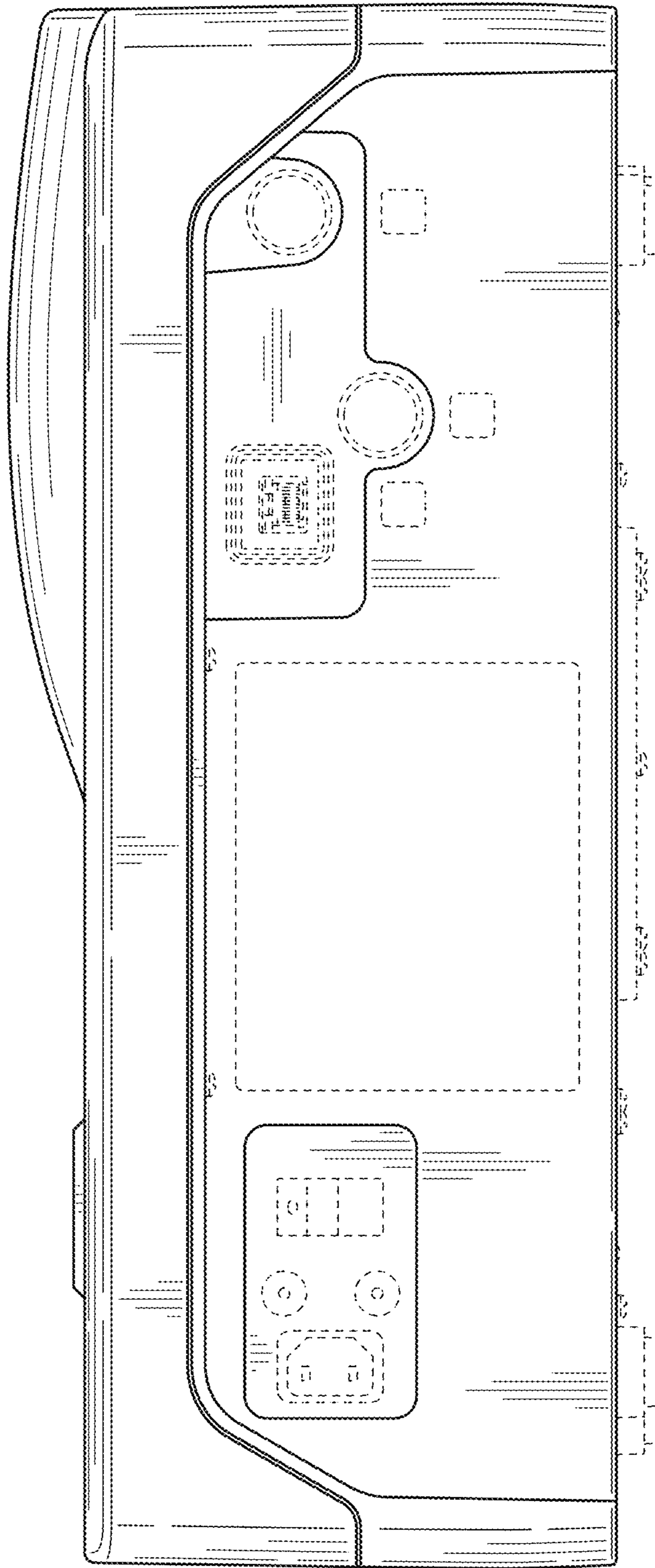


FIG. 3

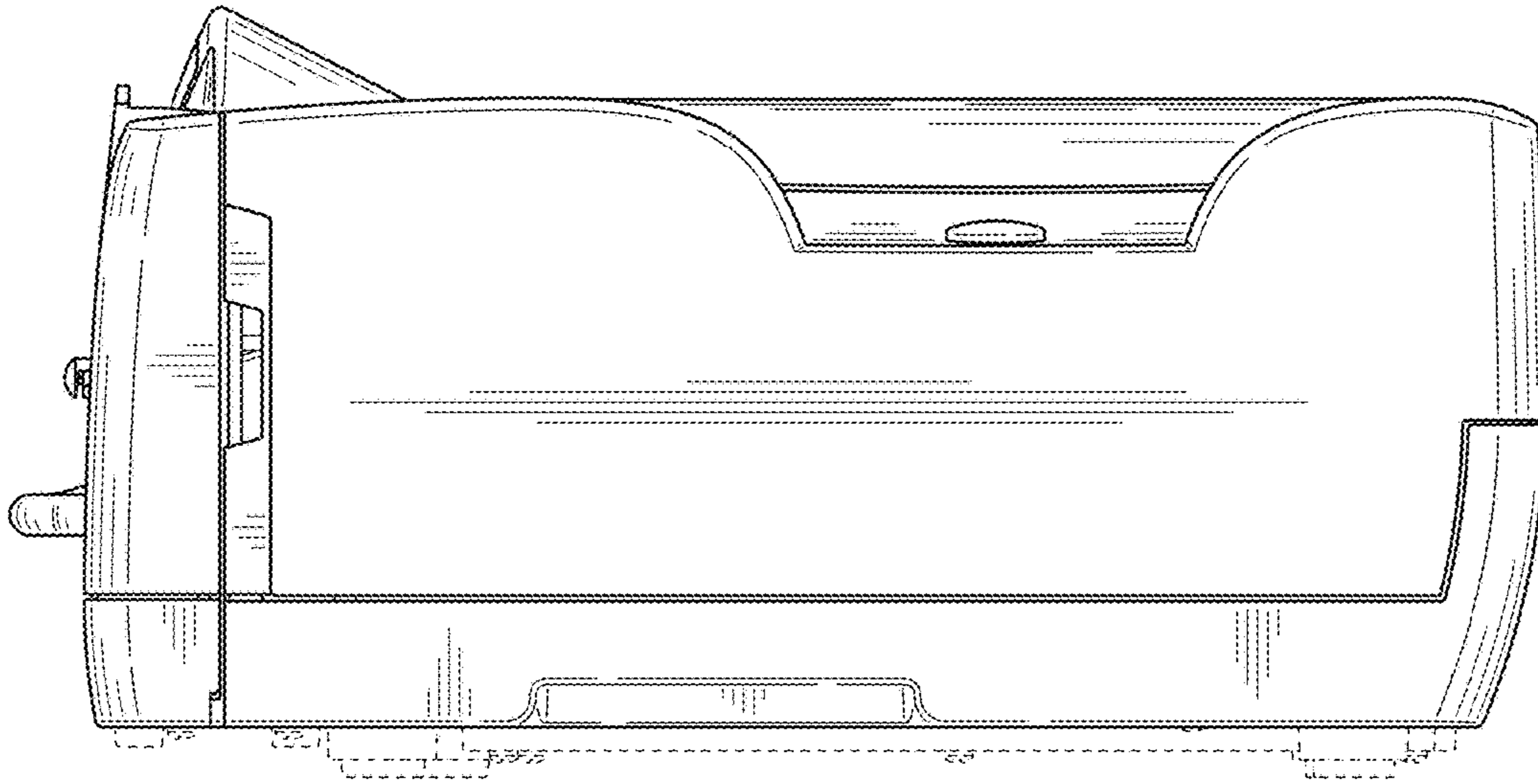


FIG. 4

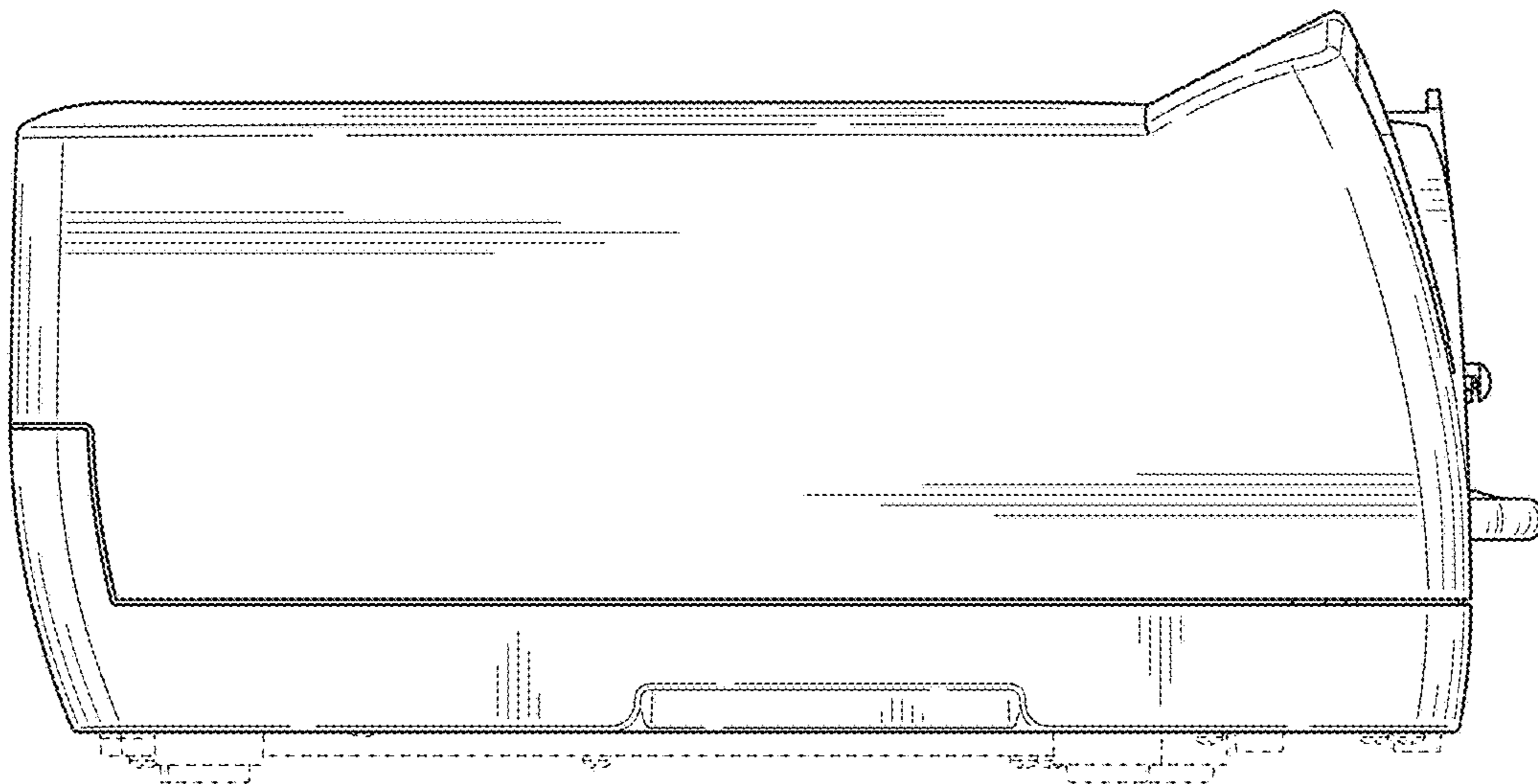


FIG. 5

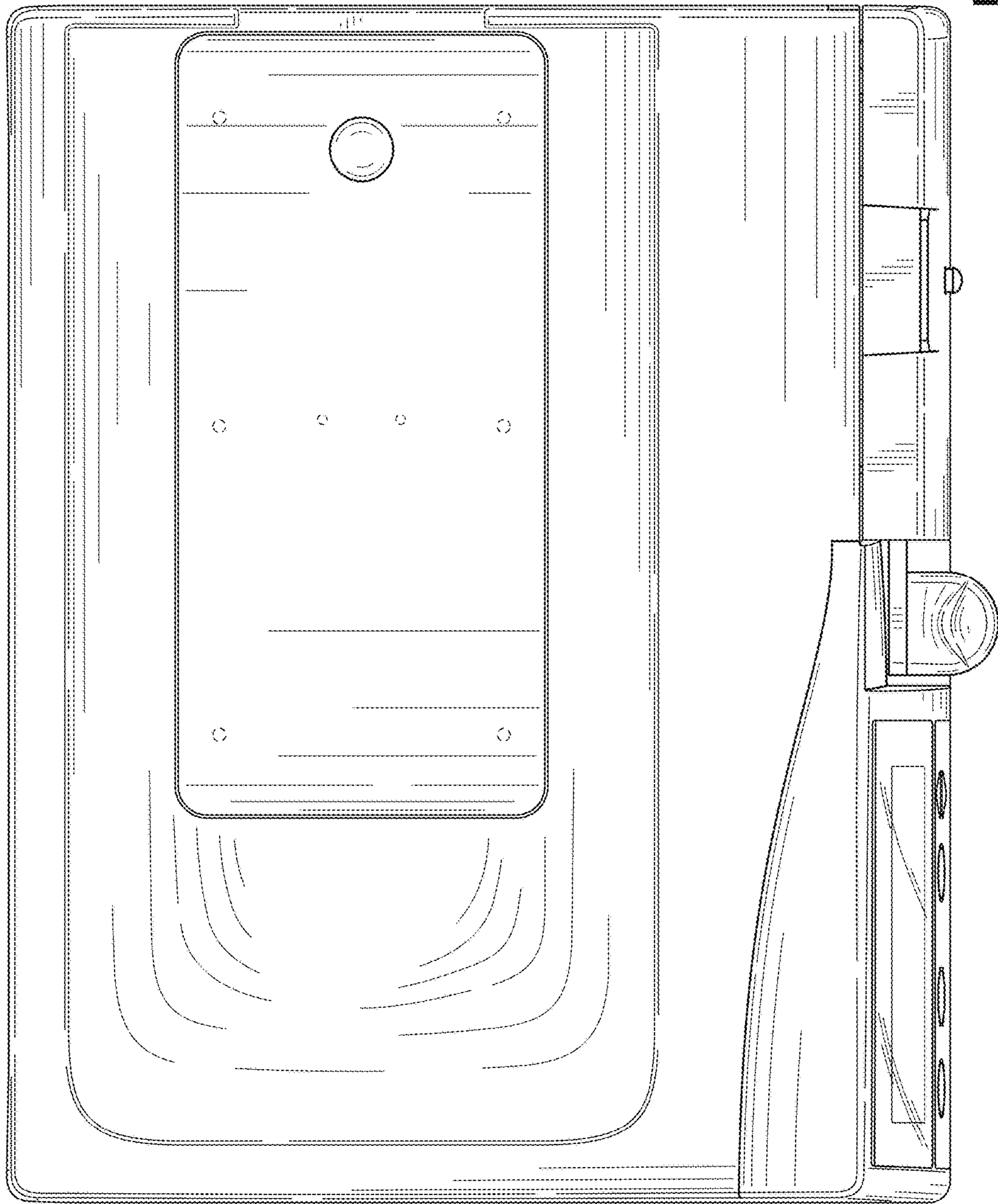


FIG. 6

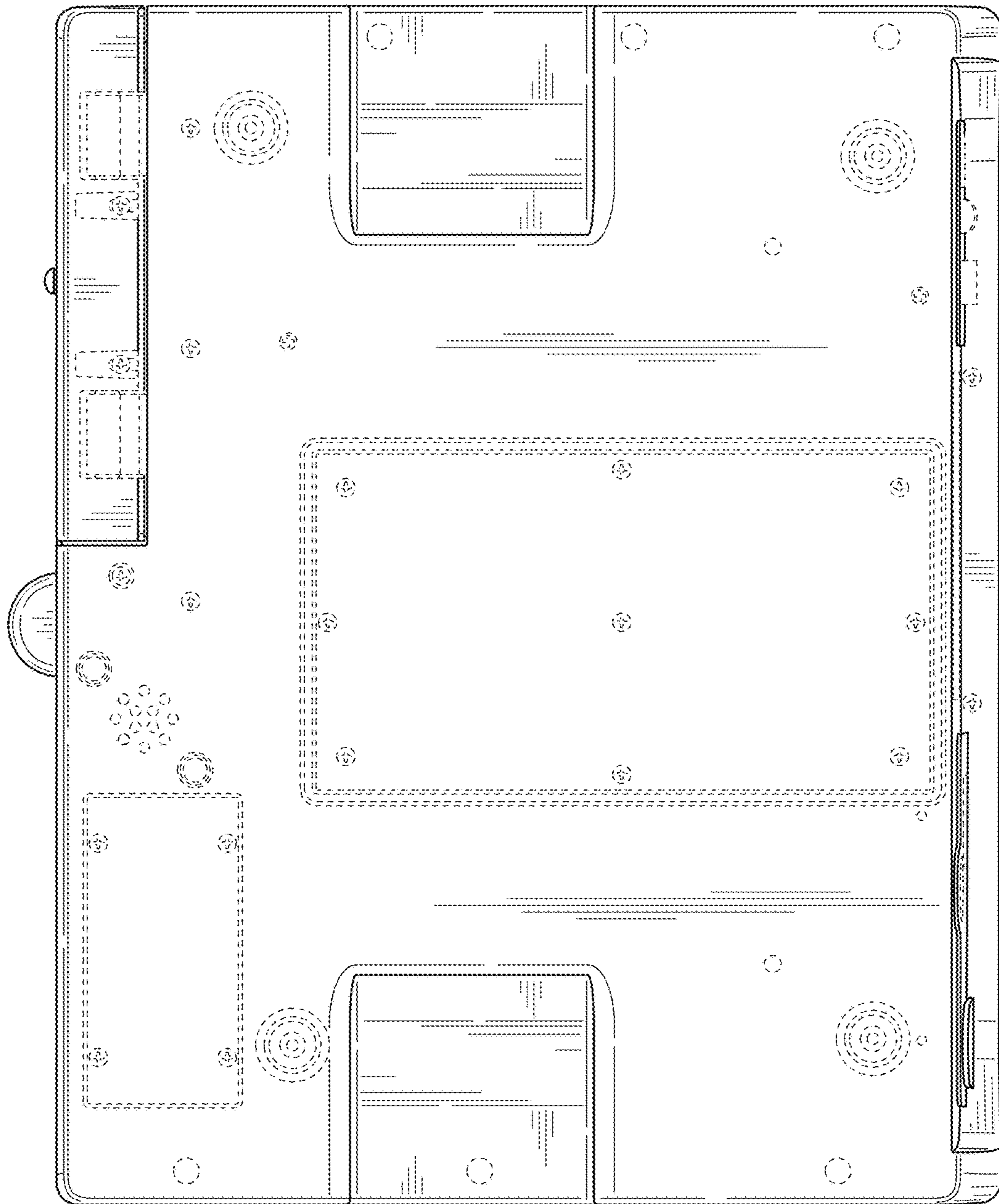


FIG. 7

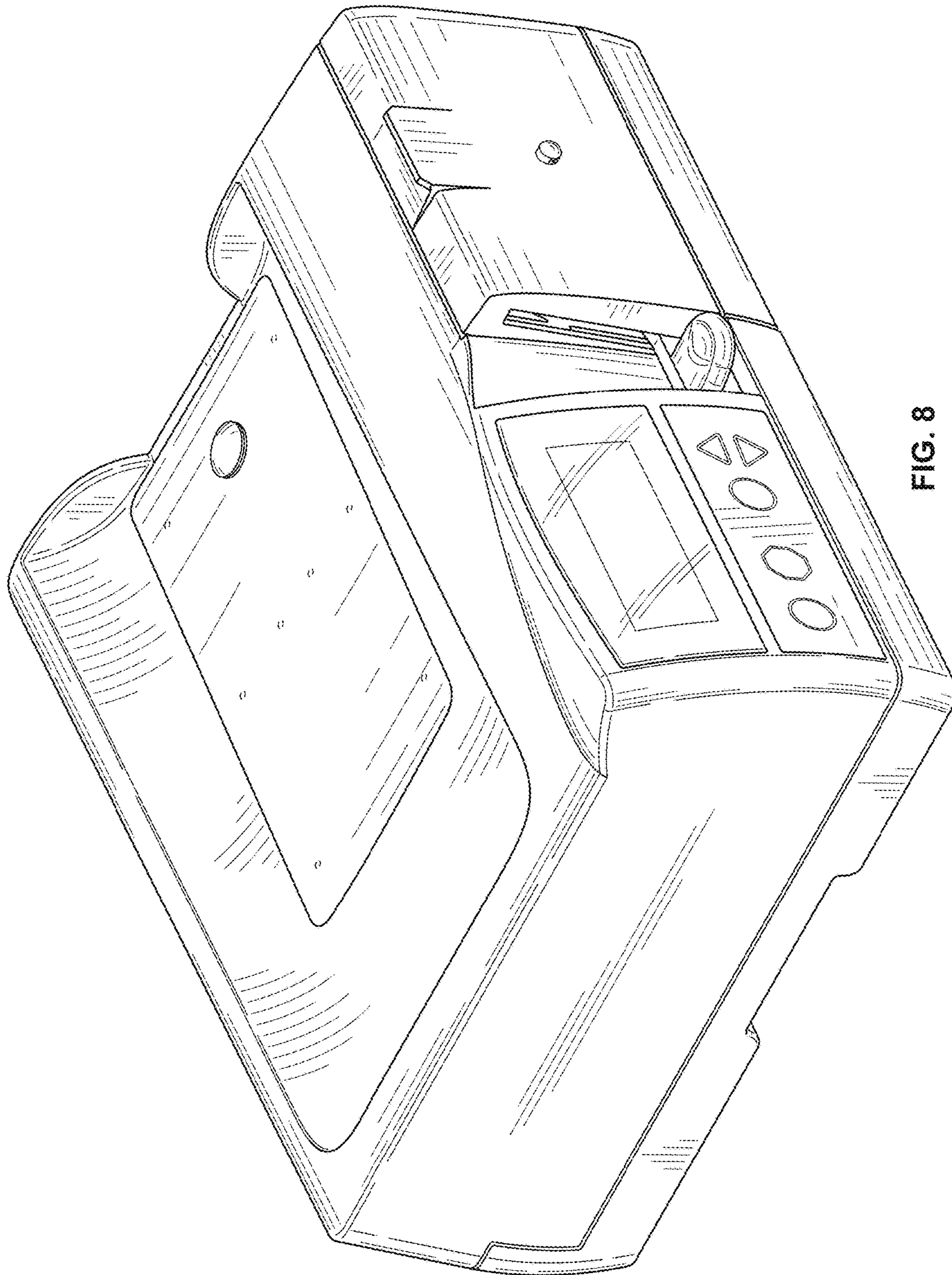


FIG. 8

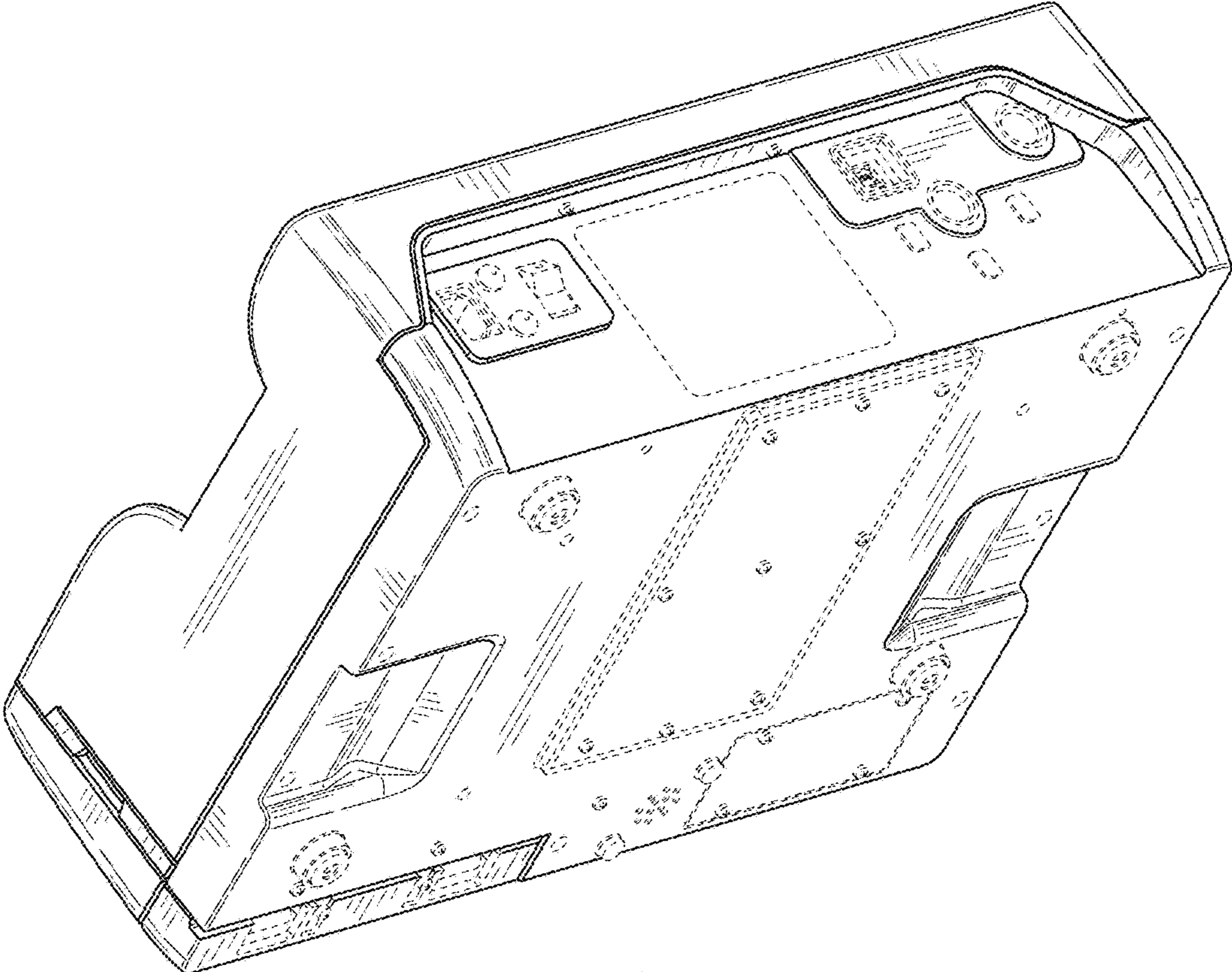


FIG. 9

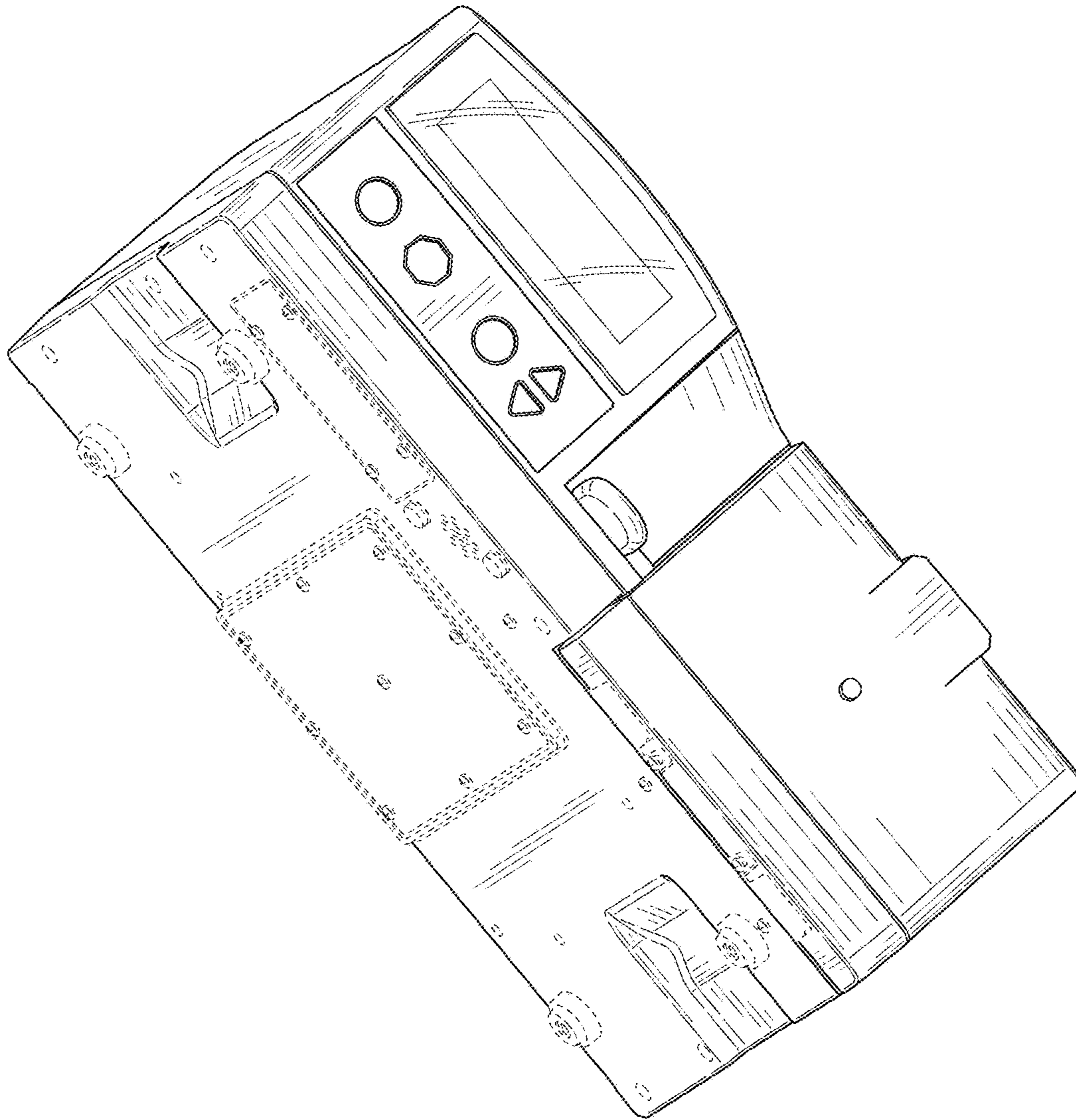


FIG. 10

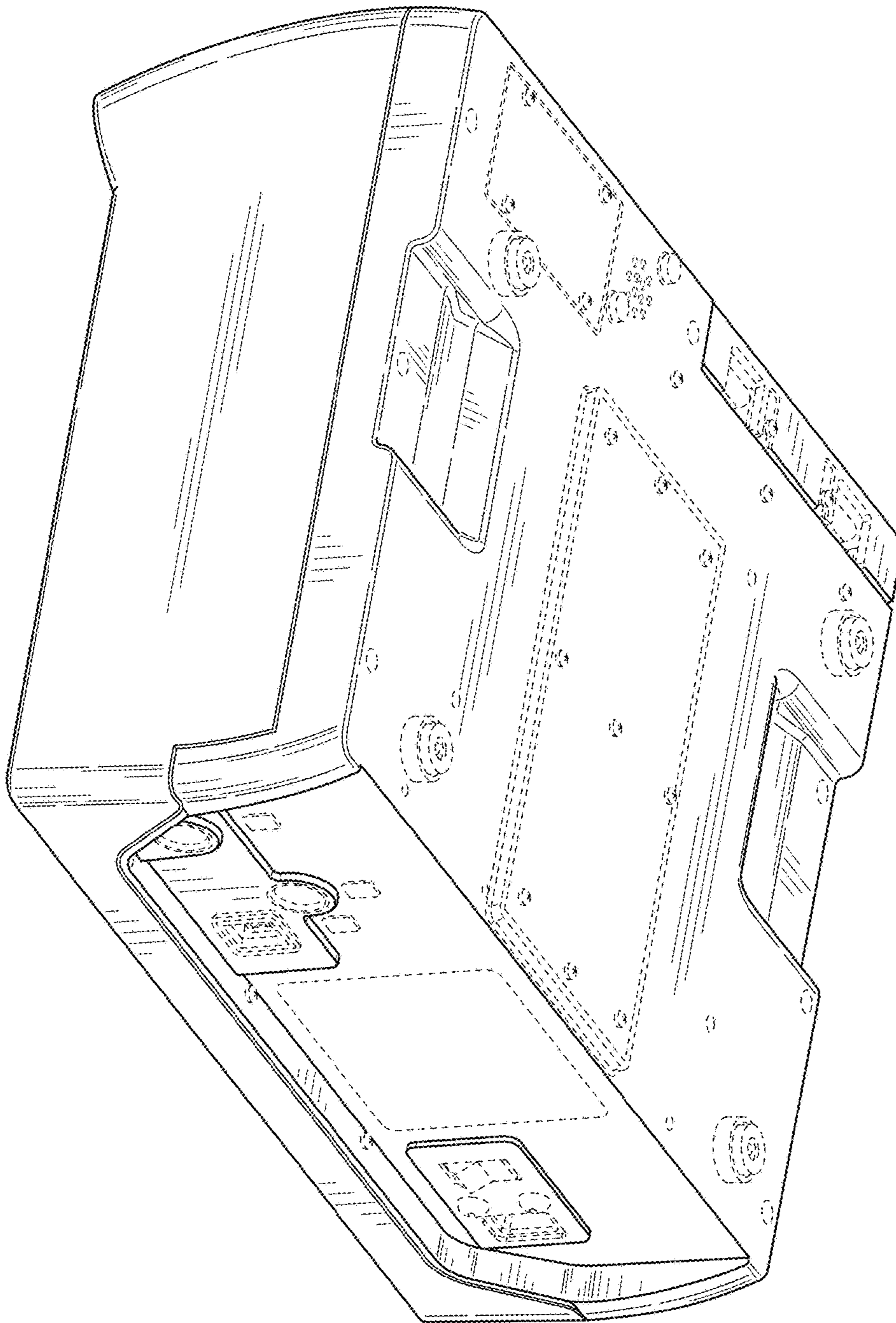


FIG. 11

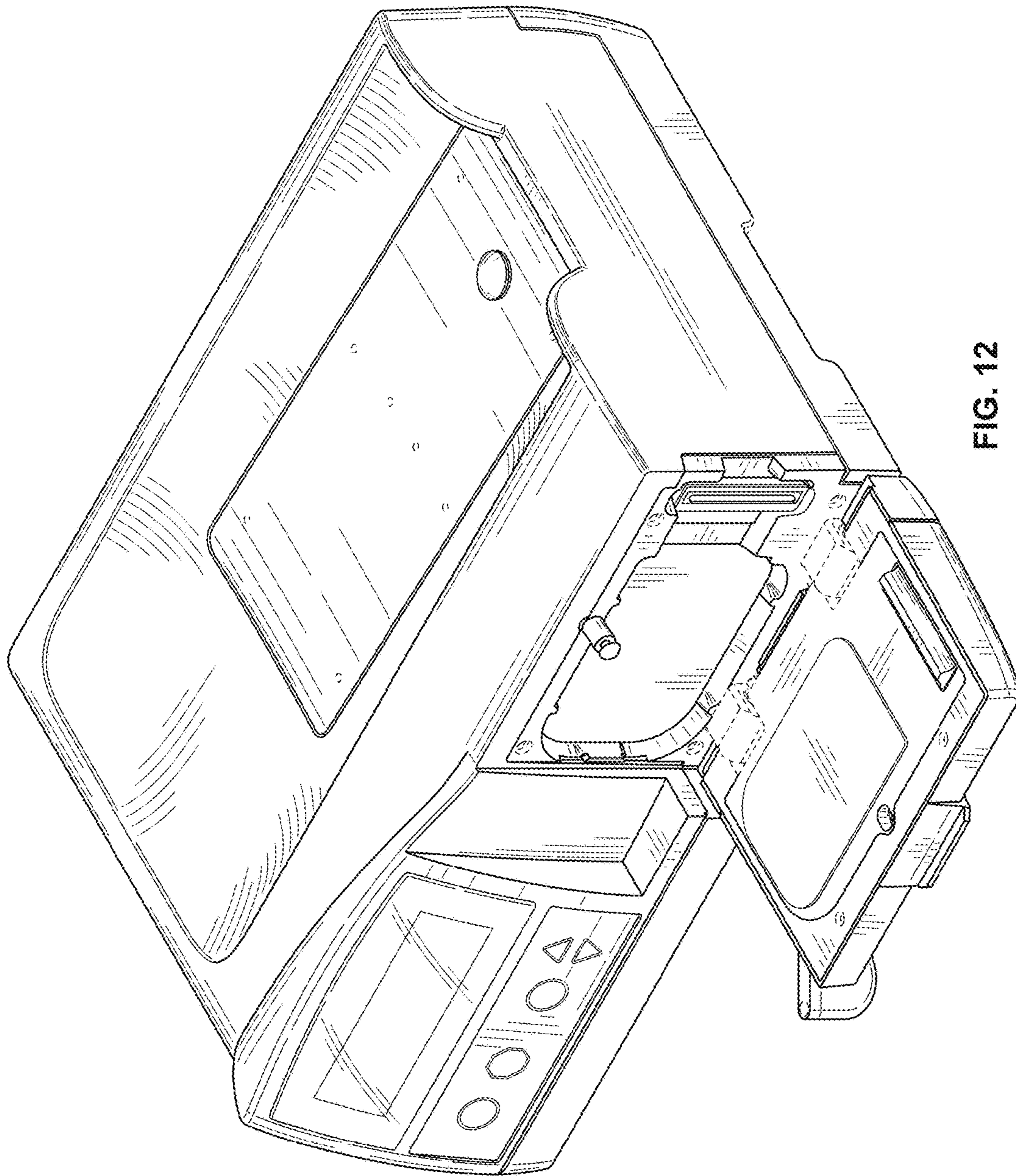


FIG. 12
(AMENDED)

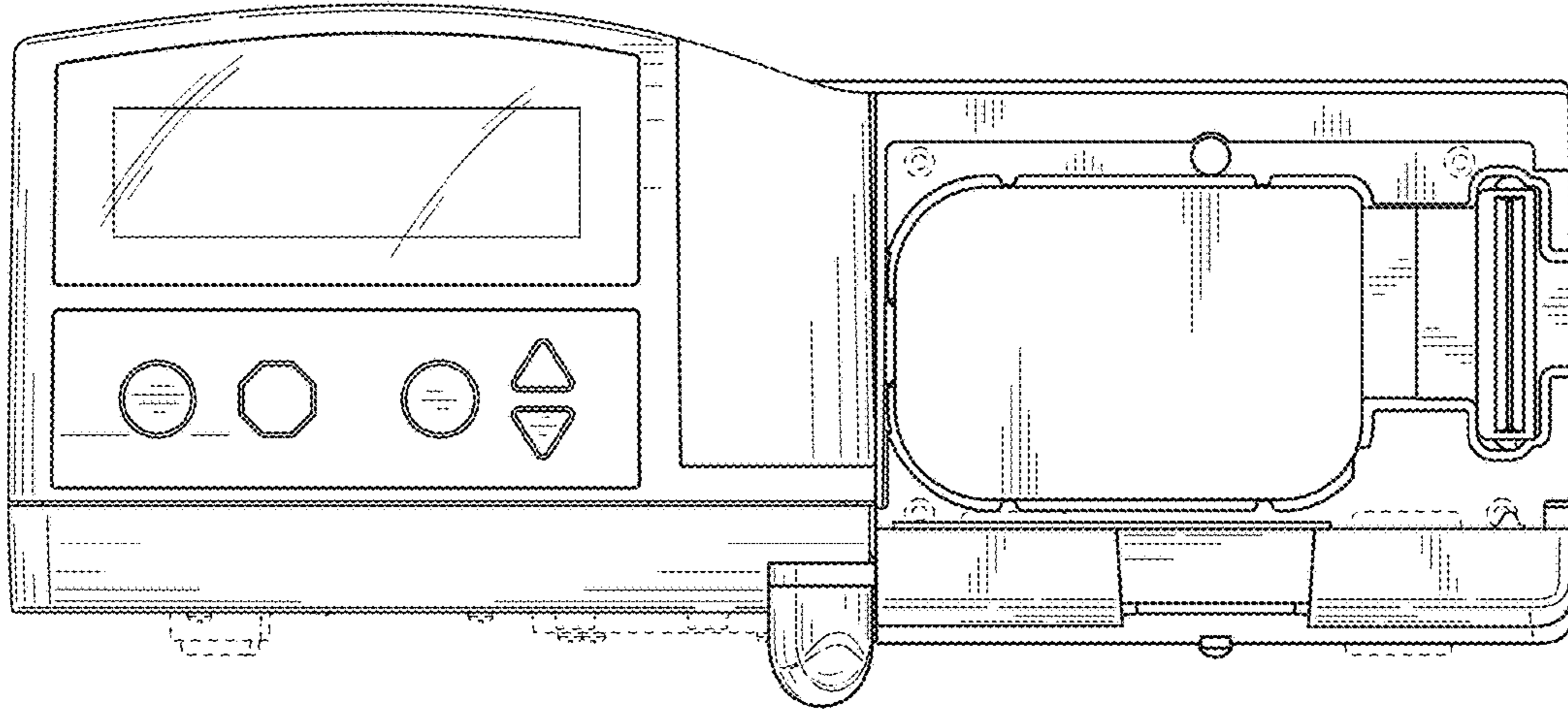


FIG. 13

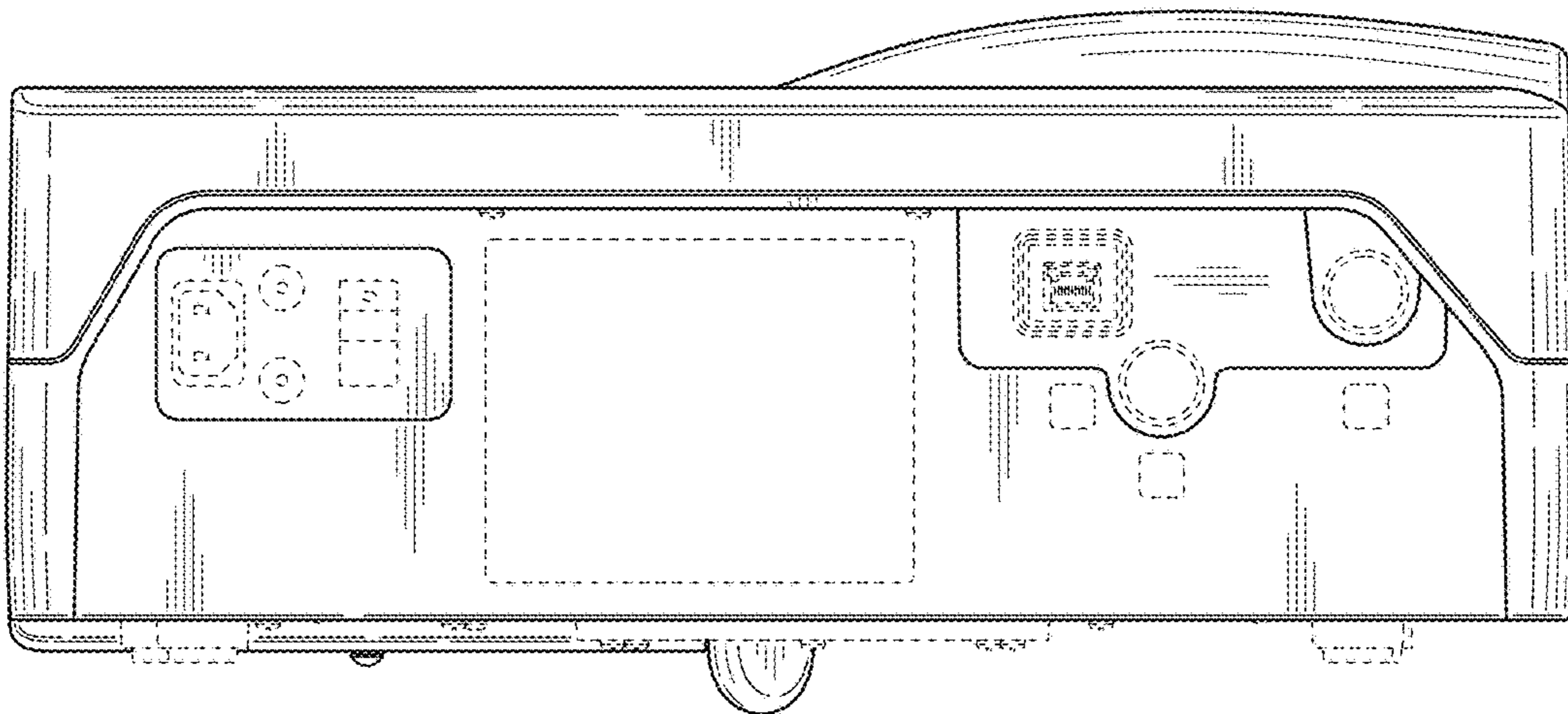


FIG. 14

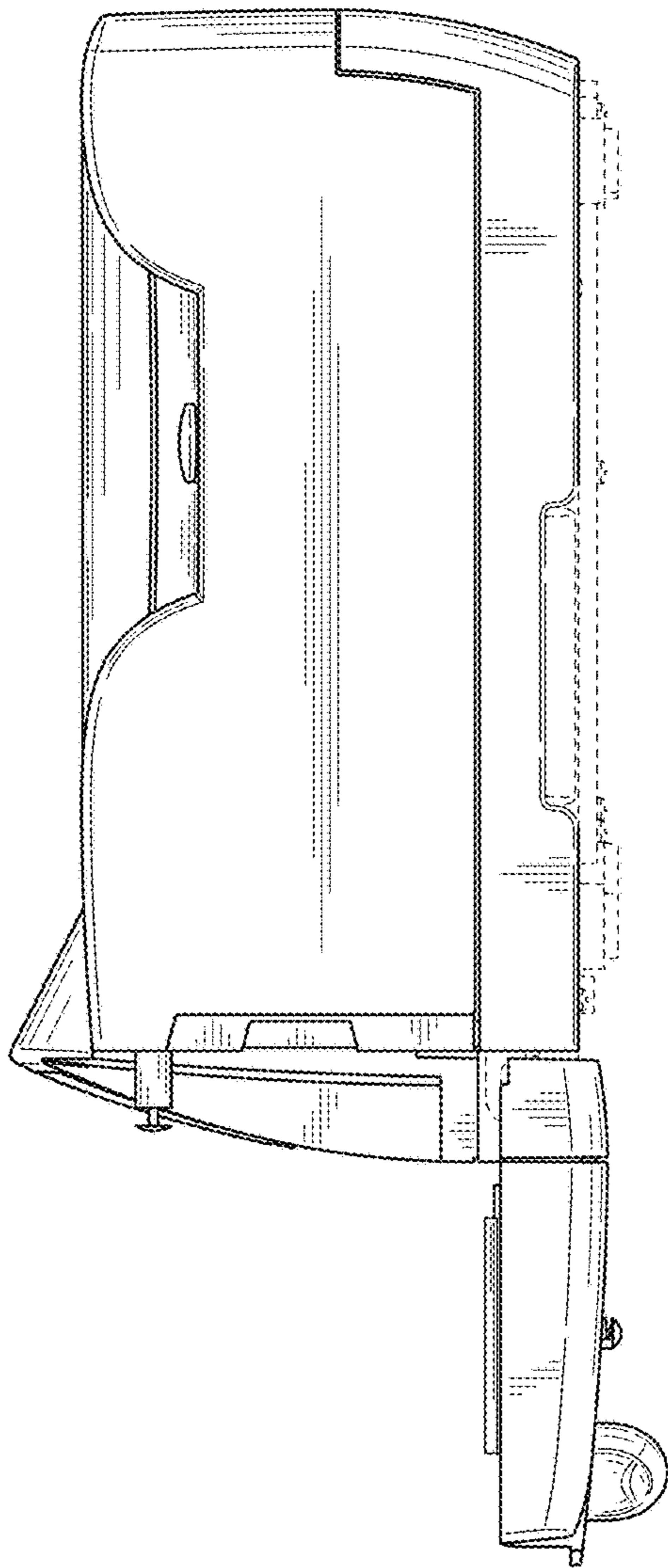


FIG. 15
(AMENDED)

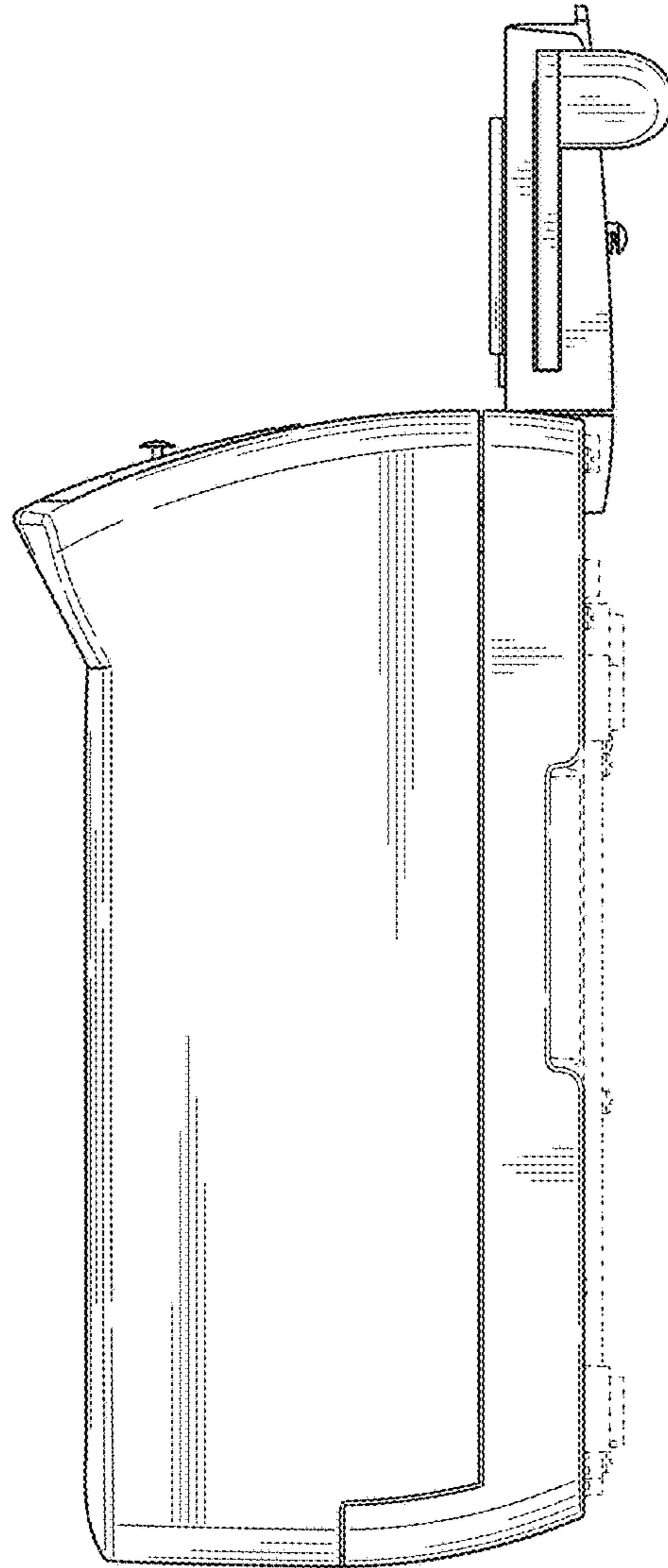


FIG. 16
(AMENDED)

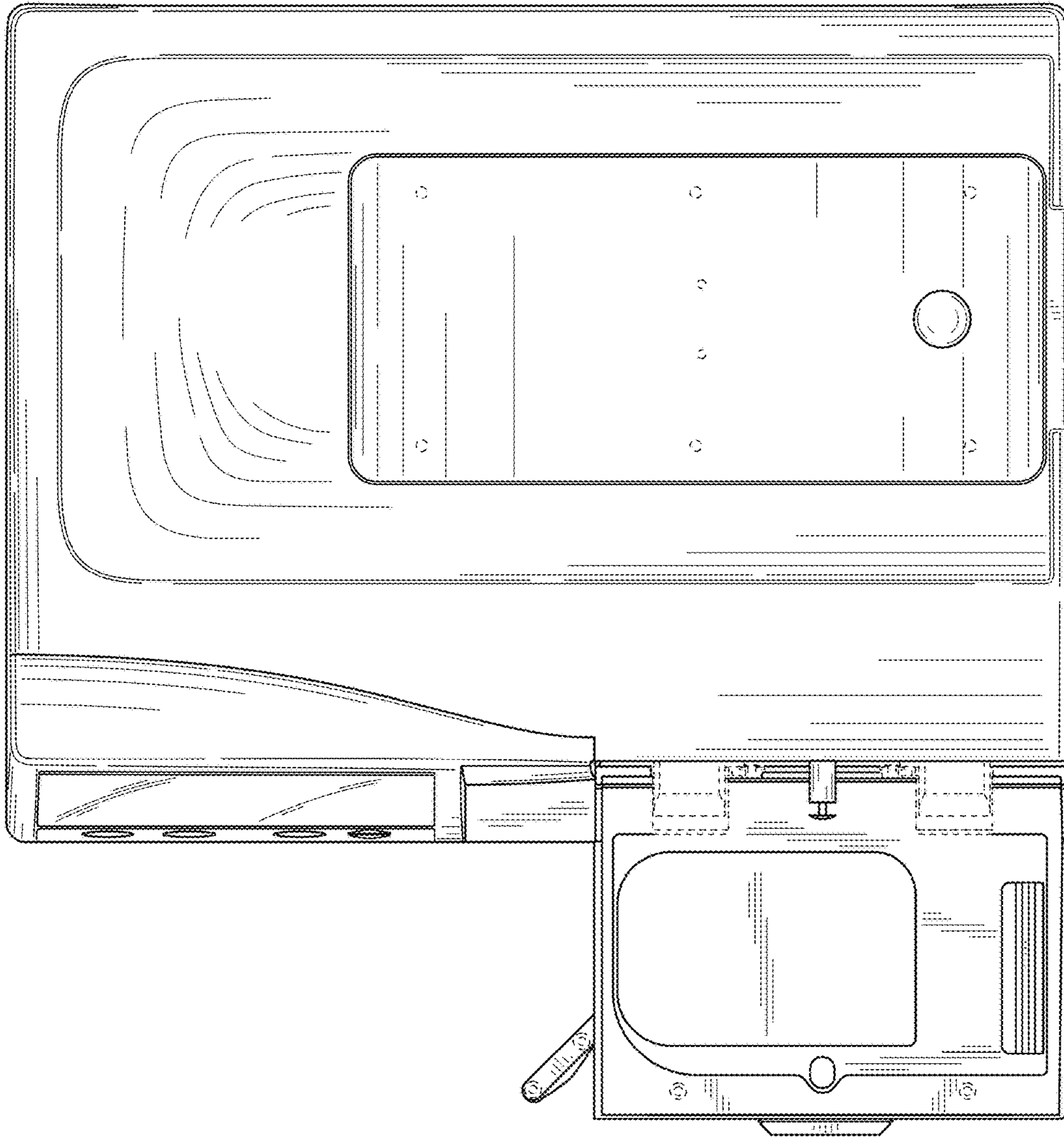


FIG. 17

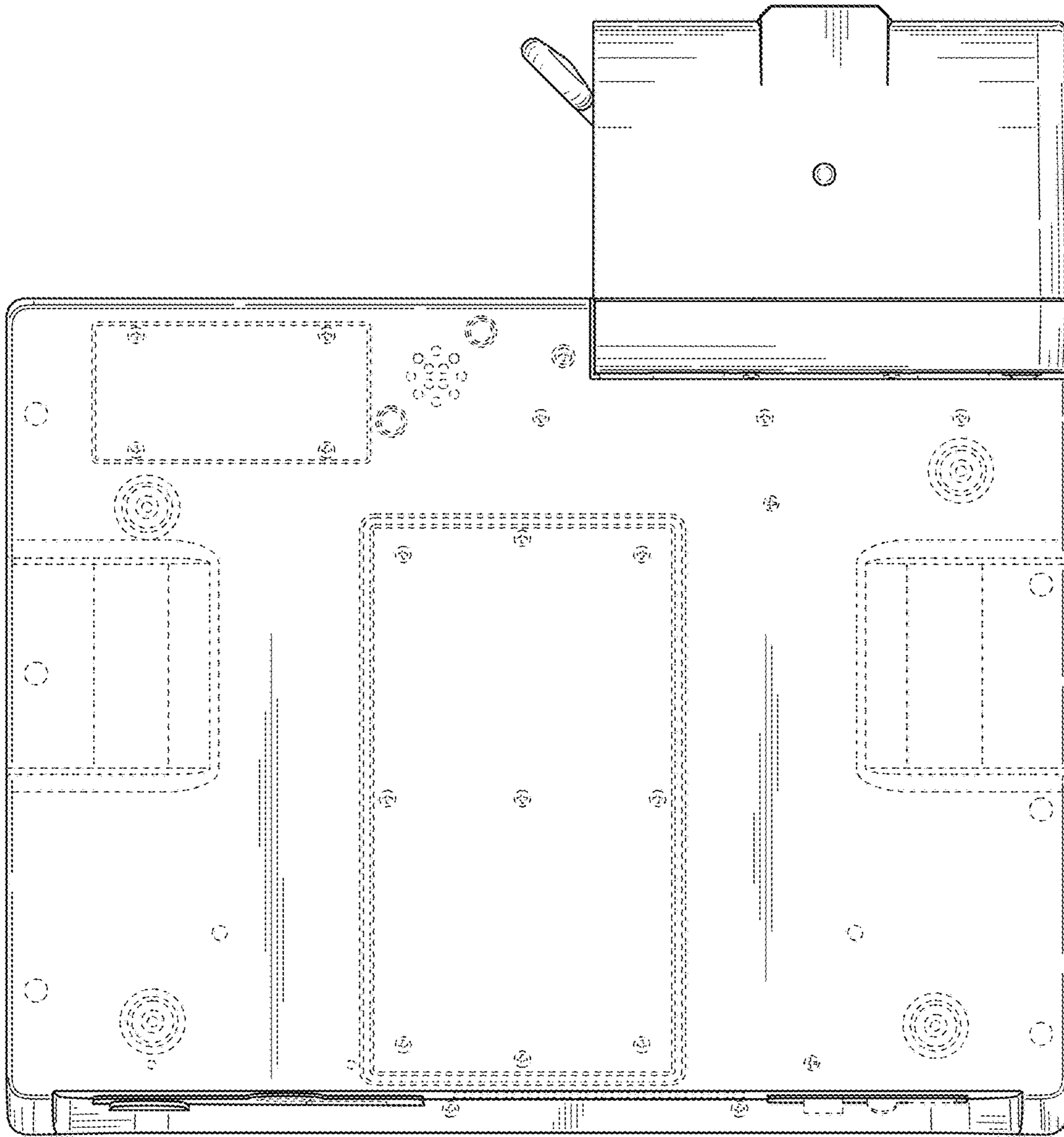


FIG. 18
(AMENDED)