



US00RE46542E

(19) **United States**
(12) **Reissued Patent**
Chambers et al.

(10) **Patent Number: US RE46,542 E**
(45) **Date of Reissued Patent: Sep. 12, 2017**

(54) **BOTTLE CAP**

(71) Applicant: **Burt's Bees, Inc.**, Oakland, CA (US)

(72) Inventors: **Kathryn Chambers**, Alpharette, GA (US); **Matthew King**, Durham, NC (US); **Julie Colon**, Oakland, CA (US); **Courtney Cloninger**, Durham, NC (US); **Robert Combs**, Morrisville, NC (US)

(21) Appl. No.: **29/528,842**

(22) Filed: **Jun. 1, 2015**

Related U.S. Patent Documents

Reissue of:

(64) Patent No.: **Des. 674,696**
Issued: **Jan. 22, 2013**
Appl. No.: **29/425,956**
Filed: **Jun. 28, 2012**

(51) **LOC (10) Cl.** **09-07**

(52) **U.S. Cl.**
USPC **D9/452**

(58) **Field of Classification Search**
USPC D9/445, 452, 454, 529; D5/50-54;
D7/392.1; D24/224; 220/200, 281, 288,
220/293, 376
CPC B65D 1/00; B65D 1/02; B65D 1/0207;
B65D 1/0223

See application file for complete search history.

(56) **References Cited**

U.S. PATENT DOCUMENTS

D25,617 S * 6/1896 Gaskill D9/529
D264,438 S * 5/1982 Thompson D9/529
D364,040 S * 11/1995 Suskind D5/1
D386,410 S * 11/1997 Mahlmann D9/445
D453,880 S * 2/2002 Cheynet D5/47
D476,573 S * 7/2003 Diete D9/529
D498,382 S * 11/2004 Davis D7/300.1
D530,153 S * 10/2006 Karp D7/510

7,345,616 B2 * 3/2008 Williams 342/4
D567,094 S * 4/2008 Bickert D9/529
D575,580 S * 8/2008 Germany D7/392.1
D578,633 S * 10/2008 Schluter D23/370
D590,713 S * 4/2009 Ray D9/450
D607,741 S * 1/2010 Triolo D9/553
D612,238 S * 3/2010 Moreau et al. D9/452
D616,703 S * 6/2010 Joy D7/507
D618,065 S * 6/2010 Joy D7/607
D629,259 S * 12/2010 Joy D7/607
D636,263 S * 4/2011 Phemster D9/452
D643,090 S * 8/2011 Cumberland D23/209
D643,508 S * 8/2011 Wilkinson D23/209

(Continued)

Primary Examiner — Darlington Ly

(74) *Attorney, Agent, or Firm* — Ann Lee

(57) **CLAIM**

We claim the ornamental design for a *bottle cap*, as shown and described.

DESCRIPTION

FIG. 1 is a top perspective view of a *bottle cap*, showing our new design;

FIG. 2 is a top plan view thereof;

FIG. 3 is a bottom plan view thereof *with the container portion shown in phantom removed*;

FIG. 4 is a back side elevation view thereof;

FIG. 5 is a front side elevation view thereof;

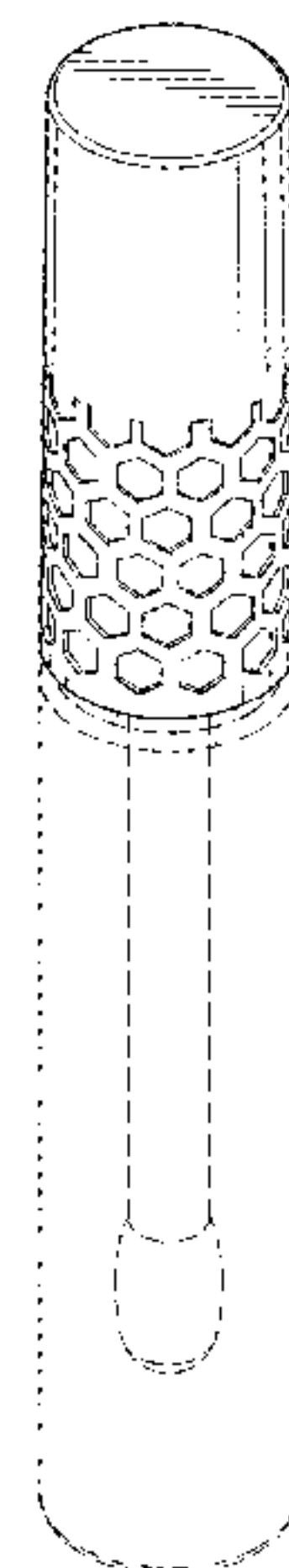
FIG. 6 is a left side elevation view thereof; and,

FIG. 7 is a right side elevation view thereof.

The broken lines [in the drawing depict environmental subject matter only and form] *showing the container portion of the bottle is provided for the purposes of illustrating environmental structure and forms* no part of the claimed design.

1 Claim, 2 Drawing Sheets

Matter enclosed in heavy brackets [] appears in the original patent but forms no part of this reissue; matter printed in italics indicates the additions made by reissue.



(Amended)

(56)

References Cited

U.S. PATENT DOCUMENTS

D649,469	S	*	11/2011	Fine	D9/551
D662,008	S	*	6/2012	Harshman	D11/146
D662,355	S	*	6/2012	Tyson	D7/396.6
D674,696	S	*	1/2013	Chambers	D9/445
D676,748	S	*	2/2013	Guillois	D9/445
D691,418	S	*	10/2013	Minton	D7/399
D692,674	S	*	11/2013	Clerici	D5/63
D702,446	S	*	4/2014	Boyle	D5/61
D715,100	S	*	10/2014	Eyal	D7/510
D723,366	S	*	3/2015	Lee	D9/434
D727,102	S	*	4/2015	Eyal	D7/510
D738,220	S	*	9/2015	Rohit	D9/553
D740,491	S	*	10/2015	Albertini	D28/76

* cited by examiner

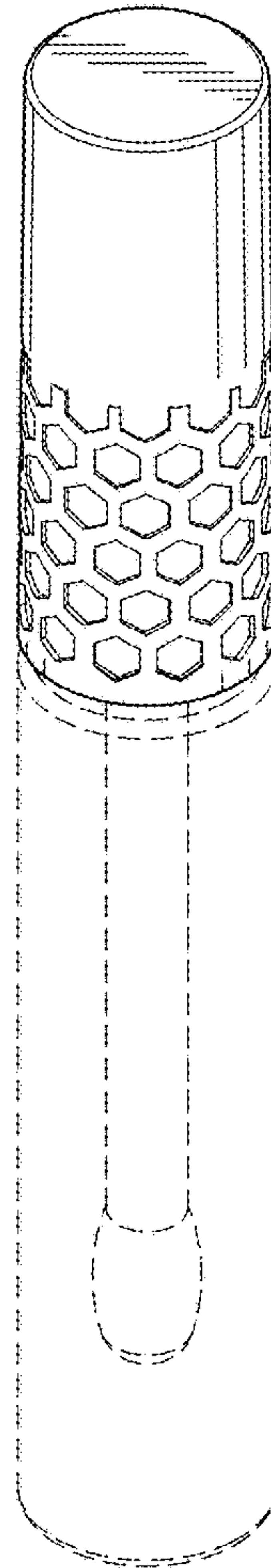


FIG. 1
(Amended)

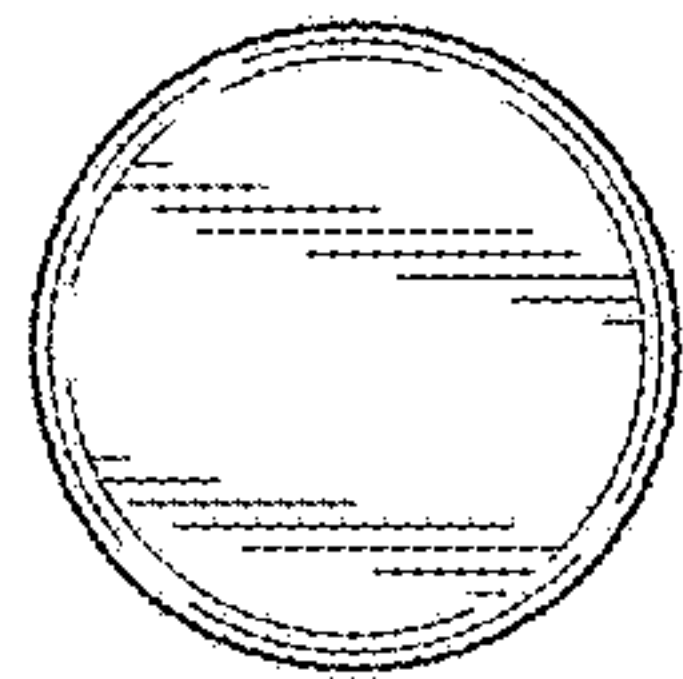


FIG. 2
(Amended)

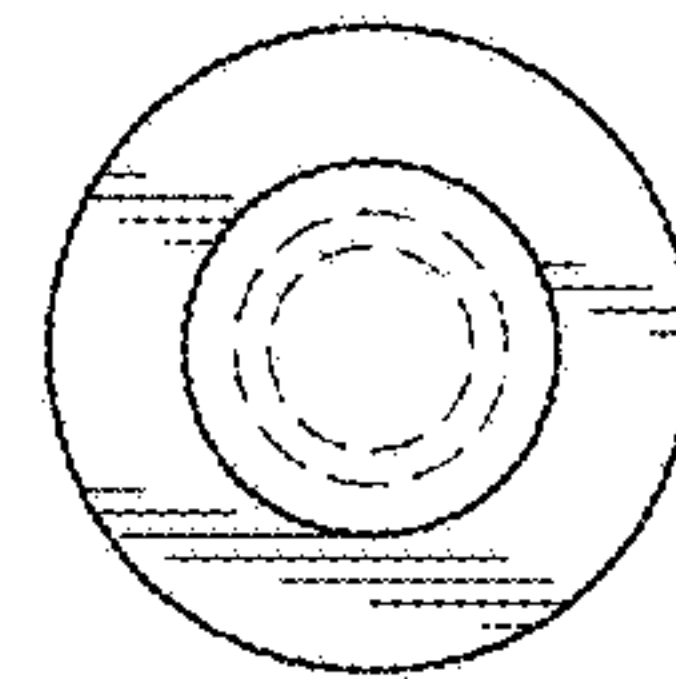


FIG. 3
(Amended)



FIG. 4
(Amended)



FIG. 5
(Amended)

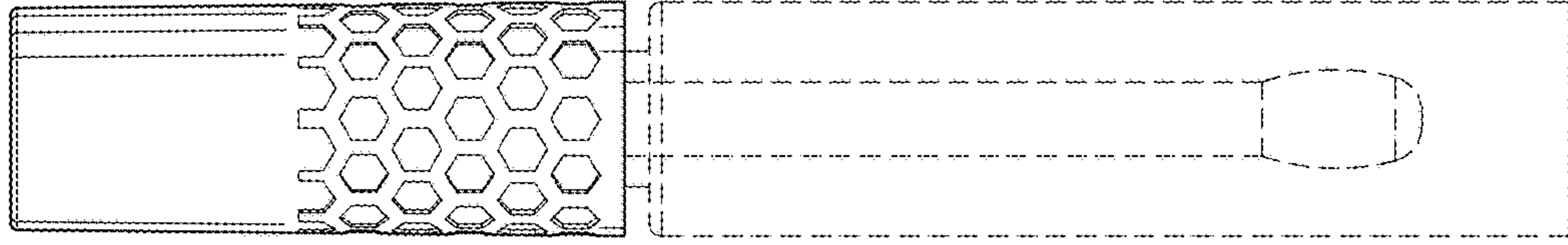


FIG. 6
(Amended)

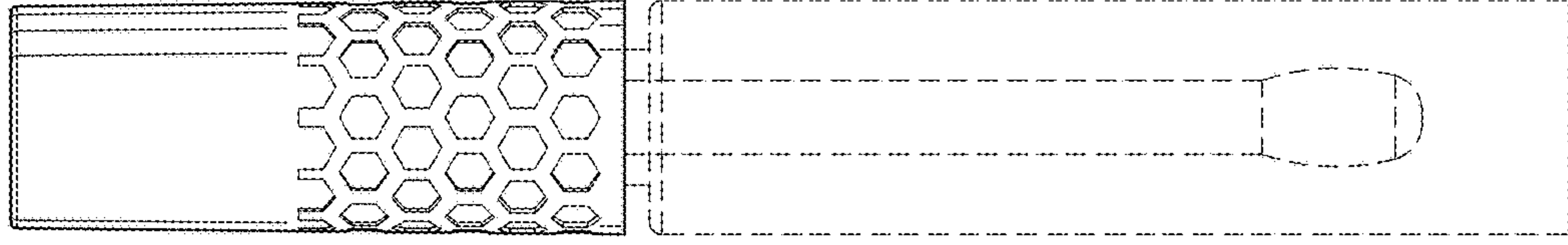


FIG. 7
(Amended)