



US00RE46531E

(19) **United States**
(12) **Reissued Patent**
Oren et al.

(10) **Patent Number: US RE46,531 E**
(45) **Date of Reissued Patent: Sep. 5, 2017**

(54) **PROPPANT VESSEL BASE**

(71) Applicant: **Oren Technologies, LLC**, Houston, TX (US)
(72) Inventors: **John Oren**, Houston, TX (US); **Joshua Oren**, Houston, TX (US)
(73) Assignee: **OREN TECHNOLOGIES, LLC**, Houston, TX (US)

(21) Appl. No.: **29/523,148**
(22) Filed: **Apr. 7, 2015**

Related U.S. Patent Documents

Reissue of:

(64) Patent No.: **Des. 688,349**
Issued: **Aug. 20, 2013**
Appl. No.: **29/436,168**
Filed: **Nov. 2, 2012**

U.S. Applications:

(62) Division of application No. 29/500,685, filed on Aug. 27, 2014, now Pat. No. Re. 45,713, which is an application for the reissue of Pat. No. Des. 688,349.
(51) **LOC (10) Cl.** **23-01**
(52) **U.S. Cl.**
USPC **D23/202**
(58) **Field of Classification Search**
USPC D23/202-206; D3/273; 206/386, 600, 206/1.5; D34/38; 220/581

(Continued)

(56) **References Cited**

U.S. PATENT DOCUMENTS

137,871 A 4/1873 Worsley
150,894 A 5/1874 Safely
(Continued)

FOREIGN PATENT DOCUMENTS

CA 2023138 2/1992
CA 2791088 3/2013
(Continued)

OTHER PUBLICATIONS

International Search Report for PCT/US2015/012990, dated May 6, 2015. (15 pages).

(Continued)

Primary Examiner — Phillip S Hyder

(74) *Attorney, Agent, or Firm* — Hogan Lovells US LLP

(57) **CLAIM**

The ornamental design for a proppant vessel base, as shown and described.

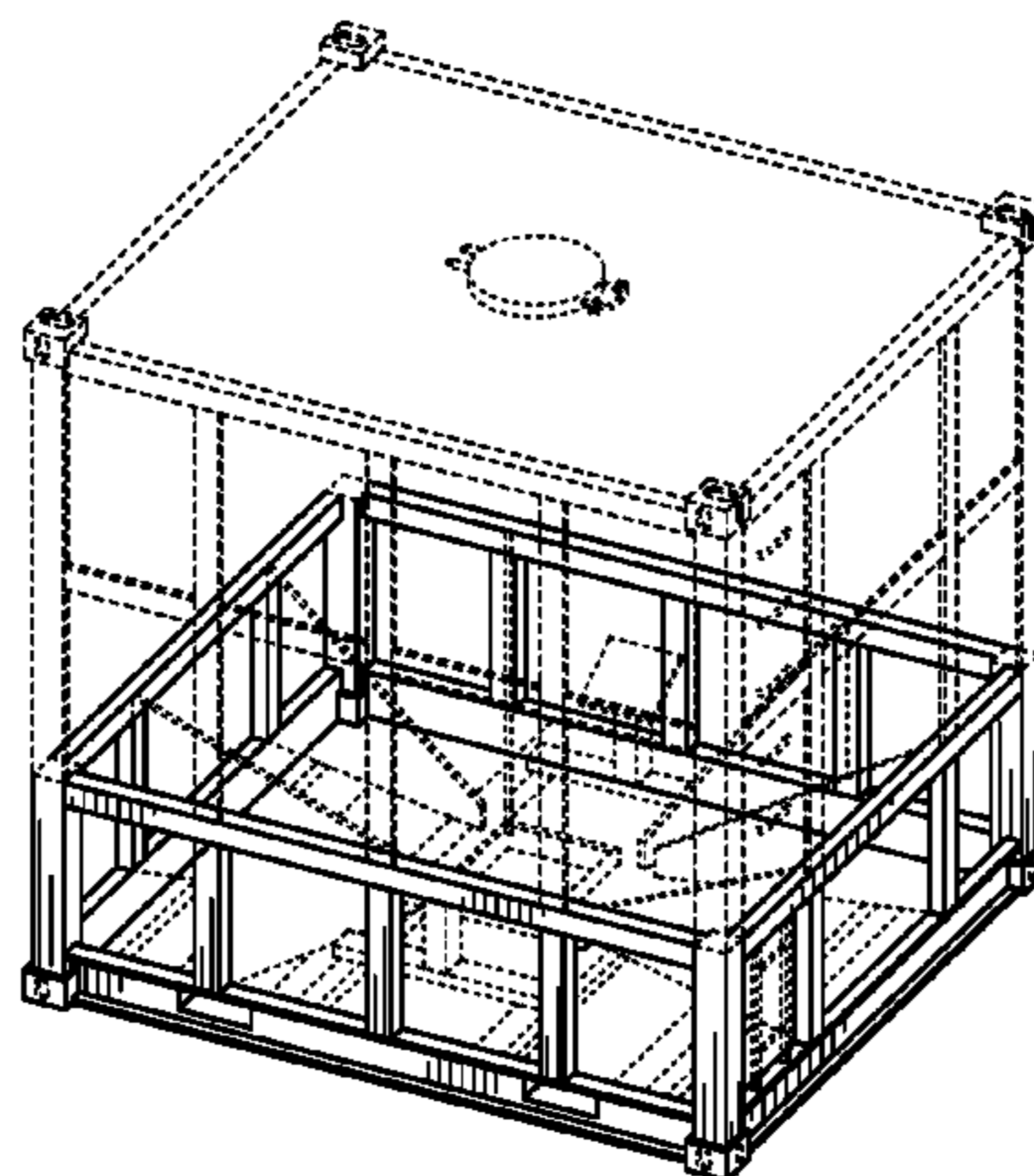
DESCRIPTION

FIG. 1 is an upper perspective view of the proppant vessel base showing *an embodiment of our design*.
FIG. 2 is a front [elevation] *elevational view [thereof] of the embodiment of FIG. 1*;
FIG. 3 is a rear [elevation] *elevational view [thereof] of the embodiment of FIG. 1*;
FIG. 4 is a right side [elevation] *elevational view [thereof] of the embodiment of FIG. 1*;
FIG. 5 is [an opposite] *a left side [elevation] elevational view [thereof] of the embodiment of FIG. 1*;
FIG. 6 is a top plan view [thereof] *of the embodiment of FIG. 1*; and,
FIG. 7 is a bottom plan view [thereof] *of the embodiment of FIG. 1*.

[The features presented in broken lines are for environmental purposes only and form no part of the claimed design.] *The broken lines depict portions of the proppant vessel in which the design is embodied that are not considered part of the claimed design.*

1 Claim, 2 Drawing Sheets

Matter enclosed in heavy brackets [] appears in the original patent but forms no part of this reissue; matter printed in italics indicates the additions made by reissue.



Amended

(58)	Field of Classification Search CPC B65D 88/20; B65D 88/26; B65D 88/128; B65D 88/129 See application file for complete search history.	D216,511 S * 3,524,567 A 3,528,570 A 3,561,633 A 3,587,834 A 3,596,609 A 3,601,244 A 3,602,400 A 3,650,567 A 3,661,293 A 3,692,363 A 3,704,797 A 3,729,121 A 3,734,215 A 3,738,511 A 3,777,909 A 3,785,534 A 3,802,584 A 3,817,261 A 3,827,578 A 3,840,141 A 3,854,612 A 3,861,716 A 3,883,005 A 3,933,100 A 3,970,123 A 3,986,708 A 3,997,089 A 4,003,301 A 4,004,700 A 4,057,153 A 4,058,239 A 4,063,656 A 4,073,410 A 4,138,163 A 4,178,117 A 4,210,273 A 4,210,963 A RE30,358 E 4,222,498 A 4,227,732 A 4,232,884 A 4,239,424 A 4,247,228 A 4,258,953 A 4,265,266 A 4,278,190 A 4,282,988 A 4,287,921 A 4,287,997 A 4,289,353 A 4,299,597 A 4,306,895 A 4,329,106 A 4,350,241 A 4,359,176 A 4,363,396 A 4,397,406 A 4,398,653 A 4,402,392 A 4,407,202 A 4,408,886 A 4,410,106 A 4,427,133 A 4,428,504 A 4,449,861 A 4,453,645 A 4,474,204 A 4,475,672 A 4,483,462 A 4,525,071 A 4,532,098 A 4,569,394 A 4,571,143 A 4,608,931 A 4,619,531 A 4,626,155 A 4,626,166 A 4,628,825 A	1/1970 8/1970 9/1970 2/1971 6/1971 8/1971 8/1971 8/1971 3/1972 5/1972 9/1972 12/1972 4/1973 5/1973 6/1973 12/1973 1/1974 4/1974 6/1974 8/1974 10/1974 12/1974 1/1975 5/1975 1/1976 7/1976 10/1976 12/1976 1/1977 1/1977 11/1977 11/1977 12/1977 2/1978 2/1979 12/1979 7/1980 7/1980 8/1980 9/1980 10/1980 11/1980 12/1980 1/1981 3/1981 5/1981 7/1981 8/1981 9/1981 9/1981 11/1981 12/1981 5/1982 9/1982 11/1982 12/1982 8/1983 8/1983 9/1983 10/1983 10/1983 10/1983 1/1984 1/1984 5/1984 6/1984 10/1984 10/1984 11/1984 6/1985 7/1985 2/1986 2/1986 9/1986 10/1986 12/1986 12/1986 12/1986	Coleman D23/202 Coleman Pase Morrison et al. Dugge Ortner Ort et al. Cooke Danielson Gerhard et al. Tenebaum et al. Suykens Cannon Smith Lemon et al. Rheinfrank Smith Sackett Rogge Hough Allom et al. Snape Baxter et al. Stevens Dugge Poulton et al. Heltzel et al. Clarke et al. Norton Empey Weaver Van Mill Lambert Melcher Calvert et al. Brugler Hegele Ricciardi et al. Sensibar Brock Kish DeWitt Pavolka Gray et al. Johnson Kierbow et al. Oory et al. Hulbert, Jr. Sanford Rolfe et al. Merritt Oetiker et al. Thompson et al. Adler Wenzel Johnson Wolf et al. Croley Daloisio Fabian et al. McCormick Sampson et al. Kierbow et al. Kierbow et al. Bassett et al. Saito et al. Usui et al. West Whitehead Heintz Horowitz Campbell Sweatman et al. Hellerich Ruhmann et al. Dunstan Hlinsky et al. Jolly Taylor et al.
(56)	References Cited U.S. PATENT DOCUMENTS 384,443 A 6/1888 Hoover 448,238 A 3/1891 Johnson 917,649 A 4/1909 Otto 1,143,641 A 6/1915 McGregor 1,331,883 A 2/1920 Stuart 1,344,768 A 6/1920 Messiter 1,434,488 A 11/1922 Forsythe et al. 1,520,560 A 12/1923 Burno 1,506,936 A 9/1924 Lea 1,526,527 A 2/1925 Butler 1,573,664 A 2/1926 Wetherill 1,807,447 A 5/1931 Smith 1,850,000 A 3/1932 Fernand 1,932,320 A 10/1933 Steward 1,973,312 A 9/1934 Hardinge 2,233,005 A 2/1941 Garlinghouse 2,255,448 A 9/1941 Morris 2,293,160 A 8/1942 Miller et al. 2,368,672 A 2/1945 McNamara 2,381,103 A 8/1945 Frank 2,423,879 A 7/1947 De Frees 2,564,020 A 8/1951 Mengel 2,603,342 A 7/1952 Martinson 2,616,758 A 11/1952 Meyers 2,622,771 A 12/1952 Tulou 2,652,174 A 9/1953 Shea et al. 2,678,145 A 5/1954 Ejuzwiak et al. 2,693,282 A 11/1954 Sensibar 2,700,574 A 1/1955 Tourneau 2,792,262 A 4/1955 Hathom 2,774,515 A 12/1956 Johansson et al. 2,791,973 A 5/1957 Dorey 2,801,125 A 7/1957 Page et al. 2,808,164 A 10/1957 Glendinning 2,812,970 A 11/1957 Martinson 2,837,369 A 6/1958 Stopps 2,865,521 A 12/1958 Fisher et al. 2,873,036 A 2/1959 Noble 2,894,666 A 7/1959 Campbell, Jr. 2,988,235 A 6/1961 Ronyak 2,994,460 A 8/1961 Matthews 3,049,248 A 8/1962 Heltzel et al. 3,064,832 A 11/1962 Heltzel 3,083,879 A 4/1963 Coleman 3,090,527 A 5/1963 Rensch 3,109,389 A 11/1963 Karlsson 3,122,258 A 2/1964 Raymond 3,135,432 A 6/1964 McKinney 3,163,127 A 12/1964 Guttridge et al. 3,187,684 A 6/1965 Ortner 3,198,494 A 8/1965 Curran et al. 3,199,585 A 8/1965 Cronberger 3,248,026 A 4/1966 Kemp 3,255,927 A 6/1966 Ruppert et al. 3,265,443 A 8/1966 Simas 3,270,921 A 9/1966 Nadolske et al. 3,281,006 A 10/1966 Wei 3,294,306 A 12/1966 Areddy 3,318,473 A 5/1967 Jones et al. 3,353,599 A 11/1967 Swift 3,354,918 A 11/1967 Coleman 3,378,152 A 4/1968 Warner 3,387,570 A 6/1968 Pulcrano et al. 3,396,675 A 8/1968 Stevens 3,397,654 A 8/1968 Snyder 3,406,995 A 10/1968 McCarthy 3,407,971 A 10/1968 Oehler 3,425,599 A 2/1969 Sammamo et al. 3,455,474 A 7/1969 Truncali			

(56)

References Cited

U.S. PATENT DOCUMENTS

4,660,733 A	4/1987	Snyder et al.	5,806,863 A	9/1998	Heger et al.
4,701,095 A	10/1987	Berryman et al.	5,836,480 A	11/1998	Epp et al.
4,715,754 A	12/1987	Scully	5,845,799 A	12/1998	Deaton
4,738,774 A	4/1988	Patrick	5,876,172 A	3/1999	Di Rosa
4,801,389 A	1/1989	Brannon et al.	5,906,471 A	5/1999	Schwoerer
4,819,830 A	4/1989	Schultz	5,911,337 A	6/1999	Bedeker
4,848,605 A	7/1989	Wise	5,927,558 A	7/1999	Bruce
4,882,784 A	11/1989	Tump	5,971,219 A	10/1999	Karpisek
4,889,219 A	12/1989	Key	5,993,202 A	11/1999	Yamazaki et al.
4,901,649 A	2/1990	Fehrenbach et al.	6,002,063 A	12/1999	Bilak et al.
4,909,378 A	3/1990	Webb	6,006,918 A	12/1999	Hart
4,909,556 A	3/1990	Koskinen	6,069,118 A	5/2000	Hinkel et al.
4,919,583 A	4/1990	Speakman, Jr.	6,077,068 A	6/2000	Okumura
4,923,358 A	5/1990	Van Mill	6,092,974 A	7/2000	Roth
4,946,068 A	8/1990	Erickson et al.	6,109,486 A	8/2000	Lee
4,954,975 A	9/1990	Kalata	6,120,233 A	9/2000	Adam
4,956,821 A	9/1990	Fenelon	6,155,175 A	12/2000	Rude et al.
4,975,205 A	12/1990	Sloan	6,186,654 B1	2/2001	Gunteret et al.
4,995,522 A	2/1991	Barr	6,190,107 B1	2/2001	Lanigan et al.
5,004,400 A	4/1991	Handke	6,192,985 B1	2/2001	Hinkel et al.
5,042,538 A	8/1991	Wiese	6,196,590 B1	3/2001	Kim
5,069,352 A	12/1991	Harbolt et al.	6,205,938 B1	3/2001	Foley et al.
5,080,259 A	1/1992	Hadley	6,247,594 B1	6/2001	Garton
5,082,304 A	1/1992	Preller	6,263,803 B1	7/2001	Dohr et al.
5,102,281 A	4/1992	Handke	6,269,849 B1	8/2001	Fields
5,102,286 A	4/1992	Fenton	6,273,154 B1	8/2001	Laug
5,105,858 A	4/1992	Levinson	6,283,212 B1	9/2001	Hinkel et al.
5,131,524 A	7/1992	Uehara	6,286,986 B2	9/2001	Grimland
5,190,182 A	3/1993	Copas et al.	6,296,109 B1	10/2001	Nohl
5,195,861 A	3/1993	Handke	6,306,800 B1	10/2001	Samuel et al.
5,199,826 A	4/1993	Lawrence	6,328,156 B1	12/2001	Ostman
5,201,546 A	4/1993	Lindsay	6,328,183 B1	12/2001	Coleman
5,224,635 A	7/1993	Wise	6,364,584 B1	4/2002	Taylor
5,253,746 A	10/1993	Friesen et al.	6,374,915 B1	4/2002	Andrews
5,265,763 A	11/1993	Heinrici et al.	6,382,446 B1	5/2002	Hinkle et al.
5,286,158 A	2/1994	Zimmerman	6,401,983 B1	6/2002	McDonald et al.
5,290,139 A	3/1994	Hedrick	6,412,422 B2	7/2002	Dohr et al.
5,324,097 A	6/1994	DeCap	6,415,909 B1	7/2002	Mitchell et al.
5,339,996 A	8/1994	Dubbert	6,416,271 B1	7/2002	Pigott et al.
5,345,982 A	9/1994	Nadeau et al.	6,425,725 B1	7/2002	Ehlers
5,358,137 A	10/1994	Shuert et al.	6,457,291 B2	10/2002	Wick
5,373,792 A	12/1994	Pileggi et al.	6,505,760 B1	1/2003	Werner
5,402,915 A	4/1995	Hogan	6,508,387 B1	1/2003	Simon et al.
5,413,154 A	5/1995	Hurst et al.	6,508,615 B2	1/2003	Taylor
5,429,259 A	7/1995	Robin	6,523,482 B2	2/2003	Wingate
5,441,321 A	8/1995	Karpisek	6,537,002 B2	3/2003	Gloystein
5,445,289 A	8/1995	Owen	6,575,614 B2	6/2003	Tosco et al.
5,465,829 A	11/1995	Kruse	6,660,693 B2	12/2003	Miller et al.
5,470,175 A	11/1995	Jensen et al.	6,663,373 B2	12/2003	Yoshida
5,493,852 A	2/1996	Stewart	6,666,573 B2	12/2003	Grassi
5,538,286 A	7/1996	Hoff	6,675,073 B2	1/2004	Kieman et al.
5,549,278 A	8/1996	Sidler	6,705,449 B2	3/2004	Wagstaffe
5,564,599 A	10/1996	Barber et al.	6,720,290 B2	4/2004	England et al.
5,570,743 A	11/1996	Padgett et al.	6,772,912 B1	8/2004	Schall et al.
5,590,976 A	1/1997	Kilheffer et al.	6,774,318 B2	8/2004	Beal et al.
5,601,181 A	2/1997	Lindhorst	6,776,235 B1	8/2004	England
5,602,761 A	2/1997	Spoerre et al.	6,783,032 B2	8/2004	Fons
5,613,446 A	3/1997	DiLuigi et al.	6,811,048 B2	11/2004	Lau
5,617,974 A	4/1997	Sawyer	6,828,280 B2	12/2004	England et al.
5,647,514 A	7/1997	Toth et al.	6,835,041 B1	12/2004	Albert
RE35,580 E	8/1997	Heider et al.	6,882,960 B2	4/2005	Miller
5,667,298 A	9/1997	Musil	6,902,061 B1	6/2005	Elstone
5,687,881 A	11/1997	Rouse et al.	6,915,854 B2	7/2005	England et al.
5,690,466 A	11/1997	Gaddis et al.	6,953,119 B1	10/2005	Wening
5,697,535 A	12/1997	Coleman	6,955,127 B2	10/2005	Taylor
5,704,477 A *	1/1998	Hermann et al. 206/386	6,964,551 B1	11/2005	Friesen
5,706,614 A	1/1998	Wiley et al.	6,968,946 B2	11/2005	Shuert
5,718,555 A	2/1998	Swalheim	6,974,021 B1	12/2005	Boevers
5,722,552 A	3/1998	Olson	7,008,163 B2	3/2006	Russell
5,761,854 A	6/1998	Johnson et al.	7,036,662 B2 *	5/2006	Schutz 206/386
5,762,222 A	6/1998	Liu	7,051,661 B2	5/2006	Herzog et al.
5,772,390 A	6/1998	Walker	7,084,095 B2	8/2006	Lee et al.
5,782,524 A	7/1998	Heider et al.	7,104,425 B2	9/2006	Le Roy
5,785,421 A	7/1998	Milek	7,140,516 B2	11/2006	Bothor
5,803,296 A	9/1998	Olson	7,146,914 B2	12/2006	Morton et al.
			7,201,290 B2	4/2007	Mehus et al.
			7,214,028 B2	5/2007	Boasso
			7,240,681 B2	7/2007	Saik
			7,252,309 B2	8/2007	Eng Soon et al.

(56)

References Cited

U.S. PATENT DOCUMENTS

7,284,579 B2 10/2007 Elgan et al.
 7,284,670 B2 10/2007 Schmid
 7,316,333 B2 1/2008 Wegner
 7,367,271 B2 5/2008 Early
 7,377,219 B2 5/2008 Brandt
 7,410,623 B2 8/2008 Mehus et al.
 7,475,796 B2 1/2009 Garton
 7,500,817 B2 3/2009 Furrer et al.
 7,513,280 B2 4/2009 Brashears et al.
 7,591,386 B2 9/2009 Hooper
 7,640,075 B2 12/2009 Wietgreffe
 7,695,538 B2 4/2010 Cheng
 7,753,637 B2 7/2010 Benedict et al.
 7,798,558 B2 9/2010 Messier
 7,802,958 B2 9/2010 Garcia et al.
 7,803,321 B2 9/2010 Lark et al.
 7,837,427 B2 11/2010 Beckel
 7,841,394 B2 11/2010 McNeel et al.
 7,845,516 B2 12/2010 Pessin et al.
 7,858,888 B2 12/2010 Lucas et al.
 7,878,327 B2* 2/2011 Cassina 206/386
 7,891,304 B2 2/2011 Herzog et al.
 7,891,523 B2 2/2011 Mehus et al.
 7,896,198 B2 3/2011 Mehus et al.
 7,897,223 B2* 3/2011 Schubbach et al. 428/35.7
 7,921,783 B2 4/2011 Forbes et al.
 7,958,995 B2* 6/2011 Dedmon et al. 206/386
 7,967,161 B2 6/2011 Townsend
 7,980,803 B2 7/2011 Brandstätter et al.
 7,997,623 B2 8/2011 Williams
 8,083,083 B1 12/2011 Mohns
 8,201,520 B2 6/2012 Meritt
 8,313,278 B2 11/2012 Simmons et al.
 8,366,349 B2 2/2013 Beachner
 8,375,690 B2 2/2013 LaFargue et al.
 8,379,927 B2 2/2013 Taylor
 8,387,824 B2 3/2013 Wietgreffe
 8,393,502 B2 3/2013 Renyer et al.
 8,424,666 B2 4/2013 Berning et al.
 D688,351 S 8/2013 Oren
 8,505,780 B2 8/2013 Oren
 8,544,419 B1 10/2013 Spalding et al.
 8,545,148 B2 10/2013 Wanek-Pusset et al.
 8,562,022 B2 10/2013 Nadeau et al.
 8,573,387 B2 11/2013 Trimble
 8,573,917 B2 11/2013 Renyer
 8,585,341 B1 11/2013 Oren
 D694,670 S 12/2013 Oren
 8,616,370 B2 12/2013 Allegretti
 8,622,251 B2 1/2014 Oren
 8,636,832 B2 1/2014 Stutzman et al.
 8,646,641 B2 2/2014 Moir
 8,668,430 B2 3/2014 Oren
 8,820,559 B2 9/2014 Beitler et al.
 8,827,118 B2 9/2014 Oren
 8,887,914 B2 11/2014 Allegretti
 8,905,266 B2 12/2014 De Brabanter
 8,915,691 B2 12/2014 Mintz
 9,051,801 B1 6/2015 Mintz
 9,052,034 B1 6/2015 Wegner et al.
 9,267,266 B2 2/2016 Cutler et al.
 2001/0022308 A1 9/2001 Epp et al.
 2001/0045338 A1 11/2001 Ransil et al.
 2002/0134550 A1 9/2002 Leeson et al.
 2002/0139643 A1 10/2002 Peltier et al.
 2003/0006248 A1 1/2003 Gill et al.
 2003/0111470 A1 6/2003 Fouillet et al.
 2003/0145418 A1 8/2003 Ikeda et al.
 2003/0156929 A1 8/2003 Russell
 2004/0065699 A1 4/2004 Schoer et al.
 2004/0074922 A1 4/2004 Bother et al.
 2004/0084874 A1 5/2004 McDougall et al.
 2004/0206646 A1 10/2004 Goh
 2004/0245284 A1 12/2004 Mehus et al.
 2005/0158158 A1 7/2005 Porta

2005/0201851 A1 9/2005 Jonkka
 2006/0012183 A1 1/2006 Marchiori et al.
 2006/0027582 A1 2/2006 Beach
 2006/0053582 A1 3/2006 Engel et al.
 2006/0091072 A1 5/2006 Schmid et al.
 2006/0151058 A1 7/2006 Salaoras et al.
 2006/0180062 A1 8/2006 Furrer et al.
 2006/0180232 A1 8/2006 Glewwe et al.
 2006/0239806 A1 10/2006 Yelton
 2006/0267377 A1 11/2006 Lusk et al.
 2006/0289166 A1 12/2006 Stromquist et al.
 2007/0096537 A1 5/2007 Hicks
 2007/0125543 A1 6/2007 McNeel et al.
 2008/0008562 A1 1/2008 Beckel et al.
 2008/0029546 A1 2/2008 Schuld
 2008/0029553 A1 2/2008 Culleton
 2008/0179054 A1 7/2008 McGough et al.
 2008/0179324 A1 7/2008 McGough et al.
 2008/0213073 A1 9/2008 Benedict et al.
 2008/0226434 A1 9/2008 Smith et al.
 2008/0264641 A1 10/2008 Slabaugh et al.
 2008/0277423 A1 11/2008 Garton
 2009/0038242 A1 2/2009 Cope
 2009/0078410 A1 3/2009 Krenek et al.
 2009/0278326 A1 11/2009 Rowland et al.
 2010/0021258 A1 1/2010 Kim
 2010/0037572 A1 2/2010 Cheng
 2010/0038143 A1 2/2010 Burnett et al.
 2010/0040446 A1 2/2010 Renyer
 2010/0108711 A1 5/2010 Wietgreffe
 2010/0129193 A1 5/2010 Sherrer
 2010/0278621 A1 11/2010 Redekop
 2010/0288603 A1 11/2010 Schafer
 2011/0011893 A1 1/2011 Cerny
 2011/0017693 A1 1/2011 Thomas
 2011/0101040 A1 5/2011 Weissbrod
 2011/0109073 A1 5/2011 Williams
 2011/0127178 A1 6/2011 Claussen
 2011/0162838 A1 7/2011 Mackenzie et al.
 2011/0168593 A1 7/2011 Neufeld et al.
 2011/0222983 A1 9/2011 Dugic et al.
 2011/0297702 A1 12/2011 Hildebrandt et al.
 2012/0103848 A1 5/2012 Allegretti et al.
 2012/0219391 A1 8/2012 Teichrob et al.
 2012/0255539 A1 10/2012 Kolecki
 2013/0004272 A1 1/2013 Mintz
 2013/0022441 A1 1/2013 Uhryn et al.
 2013/0206415 A1 8/2013 Sheesley
 2013/0209204 A1 8/2013 Sheesley
 2013/0233545 A1 9/2013 Mahoney
 2013/0284729 A1 10/2013 Cook et al.
 2013/0309052 A1 11/2013 Luharuka
 2014/0020892 A1 1/2014 Oren
 2014/0023465 A1 1/2014 Oren et al.
 2014/0034662 A1 2/2014 Chalmers et al.
 2014/0044507 A1 2/2014 Naizer et al.
 2014/0083554 A1 3/2014 Harris
 2014/0093319 A1 4/2014 Harris et al.
 2014/0097182 A1 4/2014 Sheesley
 2014/0166647 A1 6/2014 Sheesley
 2014/0203046 A1 7/2014 Allegretti
 2014/0234059 A1 8/2014 Thomeer
 2014/0321950 A1 10/2014 Krenek et al.
 2015/0004895 A1 1/2015 Hammers et al.
 2015/0069052 A1 3/2015 Allegretti et al.
 2015/0110565 A1 4/2015 Harris
 2015/0159232 A1 6/2015 Zucchi et al.
 2016/0280480 A1 9/2016 Smith et al.
 2017/0129721 A1 5/2017 Harris et al.

FOREIGN PATENT DOCUMENTS

CN 201390486 1/2010
 CN 201881469 6/2011
 CN 103350017 10/2013
 DE 3342281 6/1985
 DE 4217329 5/1993
 EP 0019967 12/1980
 EP 322283 6/1989

(56)

References Cited

FOREIGN PATENT DOCUMENTS

EP	0564969	10/1993
EP	0997607	5/2000
EP	1052194	11/2000
EP	1167236	1/2002
EP	1775190	4/2007
EP	2062832	5/2009
EP	2311757	4/2011
FR	2640598	6/1990
GB	2374864	10/2002
JP	S4871029	9/1973
JP	S4876041	9/1973
JP	S58161888	10/1983
JP	410087046	4/1998
JP	10264882	10/1998
MX	2012011046	5/2013
WO	9008082	7/1990
WO	9202437	2/1992
WO	9301997	2/1993
WO	9300031	4/1993
WO	2007005054	1/2007
WO	2007061310	5/2007
WO	2010026235	3/2010
WO	2011099358	8/2011
WO	2012021447	2/2012
WO	2012058059	5/2012

OTHER PUBLICATIONS

FS-35 Desert Frac-Sanders. NOV (National Oilwell Varco). Mar. 19, 2012. (https://web.archive.org/web/20120319070423/http://www.nov.com/Well_Service_and_Completion/Frac_Sand_Handling_Equipment/Frac_Sanders/FS-35.aspx).

International Search Report for related International Application No. PCT/US2012/066639, Feb. 25, 2013.

International Search Report for related International Application No. PCT/US2013/035442, Jun. 23, 2013.

International Search Report for related International Application No. PCT/US2013/032819, May 23, 2013.

International Search Report for related International Application No. PCT/US2013/049028, Mar. 4, 2014.

International Preliminary Report on Patentability for PCT/US2012/066639, Feb. 26, 2013.

International Preliminary Report on Patentability for PCT/US2013/032819, Sep. 23, 2014.

European Search Report for Application No. 15167039.5, Sep. 8, 2015. (7 pages).

International Search Report for PCT/US2015/024810, Jul. 8, 2015. (13 pages).

PCT International Search Report for PCT/US15/57601, May 6, 2016. (11 pages).

SandBox Logistics, LLC, screenshots from video dated Sep. 19, 2013.

SandBox Logistics, LLC, screenshots from video dated Aug. 22, 2014.

SandBox Logistics, LLC, screenshots from video dated Oct. 11, 2013.

SandBox Logistics, LLC, screenshots from video dated Apr. 10, 2013.

SandBox Logistics, "Mine to Wellhead Logistics," Houston, TX, May 2013.

SandBox Logistics, screenshots from video made in Apr. 2013 and publicly shown in May 2013, Arnegard, North Dakota.

International Search Report for PCT/US15/35635, Oct. 30, 2015. (12 pages).

Frac Sand Primer by Brian D. Olmen, Kelrick, LLC, from Hydraulic Fracturing by Michael Berry Smith and Carl Montgomery (CRC Press, Dec. 16, 2015), p. 384.

Premier Silica LLC, Sands Application in the Energy Market, Irving, TX, Copyright 2016.

Getty, John, Montana Tech; ASTM International, Overview of Proppants and Existing Standards and Practices, Jacksonville, FL, Jan. 29, 2013.

Grit Energy Solutions, LLC, Fidelity, Screenshots from video dated May 16, 2014.

Grit Energy Solutions, LLC, Gate, Screenshots from video dated Dec. 6, 2013, <https://www.youtube.com/user/gritstack>.

Grit Energy Solutions, LLC, Screen, Screenshots from video dated Dec. 6, 2013, <https://www.youtube.com/user/gritstack>.

Grit Energy Solutions, LLC, The Grit Stack System—Live Frac, Screenshots from video dated Jun. 15, 2015, <https://www.youtube.com/user/gritstack>.

Grit Energy Solutions, LLC, The Grit Stack System, Screenshots from video dated Feb. 7, 2014, <https://www.youtube.com/user/gritstack>.

Non-Final Office Action Mailed Dec. 28, 2016 for co-pending U.S. Appl. No. 13/628,702.

Non-Final Office Action Mailed Jan. 13, 2017 for co-pending U.S. Appl. No. 14/923,920.

Final Office Action Mailed Jan. 12, 2017 for co-pending U.S. Appl. No. 14/841,942.

Non-Final Office Action Mailed Dec. 23, 2016 for co-pending U.S. Appl. No. 14/485,686.

Non-Final Office Action Mailed Jan. 27, 2017 for co-pending U.S. Appl. No. 14/485,687.

Non-Final Office Action Mailed Dec. 20, 2016 for co-pending U.S. Appl. No. 14/831,924.

Final Office Action Mailed Jan. 19, 2017 for co-pending U.S. Appl. No. 13/660,855.

Final Office Action Mailed Nov. 25, 2016 for co-pending U.S. Appl. No. 15/152,744.

Non-Final Office Action Mailed Dec. 15, 2016 for co-pending U.S. Appl. No. 14/848,447.

Non-Final Office Action Mailed Dec. 9, 2016 for co-pending U.S. Appl. No. 14/927,614.

International Search Report for PCT Application No. PCT/US2016/050859 mailed Dec. 9, 2016.

Arrows Up, Inc., Jumbo BTS—Bulk Transport System, Aug. 1, 2014.

Arrows Up, Inc., Reusable Packaging Association, Member Spotlight: John Allegretti, President & CEO, Arrows Up, Inc., Jun. 23, 2016.

Seed Today, Arrows Up, Inc. Bulk Transport System (BTS), Country Journal Publishing Co., Decatur, IL, Mar. 2, 2011.

SeedQuest, Arrows Up, Inc. launches innovative bulk transport system for see, Barrington, IL, Mar. 2, 2011.

Monster Tanks, Inc., Sand Monster Website, <http://monstertanksinc.com/sandmonster.html>, 2012.

Solaris Oilfield Infrastructure, Mobile Sand Silo System, 2016.

Final Office Action Mailed Sep. 27, 2016 for co-pending U.S. Appl. No. 13/555,635.

Non-Final Office Action Mailed Mar. 23, 2016 for co-pending U.S. Appl. No. 13/555,635.

Final Office Action Mailed Jul. 30, 2015 for co-pending U.S. Appl. No. 13/555,635.

Non-Final Office Action Mailed Oct. 22, 2014 for co-pending U.S. Appl. No. 13/555,635.

Final Office Action Mailed Jun. 21, 2016 for co-pending U.S. Appl. No. 13/628,702.

Non-Final Office Action Mailed Feb. 23, 2016 for co-pending U.S. Appl. No. 13/628,702.

Final Office Action Mailed Sep. 22, 2015 for co-pending U.S. Appl. No. 13/628,702.

Non-Final Office Action Mailed Jul. 28, 2015 for co-pending U.S. Appl. No. 13/628,702.

Final Office Action Mailed Mar. 24, 2015 for co-pending U.S. Appl. No. 13/628,702.

Non-Final Office Action Mailed Sep. 18, 2014 for co-pending U.S. Appl. No. 13/628,702.

Final Office Action Mailed Jun. 27, 2016 for co-pending U.S. Appl. No. 14/831,924.

Non-Final Office Action Mailed Feb. 16, 2016 for co-pending U.S. Appl. No. 14/831,924.

(56)

References Cited

OTHER PUBLICATIONS

Final Office Action Mailed Jun. 27, 2016 for co-pending U.S. Appl. No. 14/923,920.
 Non-Final Office Action Mailed Feb. 9, 2016 for co-pending U.S. Appl. No. 14/923,920.
 Final Office Action Mailed Sep. 15, 2016 for co-pending U.S. Appl. No. 14/943,111.
 Non-Final Office Action Mailed Apr. 5, 2016 for co-pending U.S. Appl. No. 14/943,111.
 Final Office Action Mailed Jul. 18, 2016 for co-pending U.S. Appl. No. 14/948,494.
 Non-Final Office Action Mailed Apr. 8, 2016 for co-pending U.S. Appl. No. 14/948,494.
 Non-Final Office Action Mailed Sep. 6, 2016 for co-pending U.S. Appl. No. 15/144,296.
 Non-Final Office Action Mailed Jul. 25, 2016 for co-pending U.S. Appl. No. 13/660,855.
 Final Office Action Mailed Apr. 28, 2016 for co-pending U.S. Appl. No. 13/660,855.
 Non-Final Office Action Mailed Oct. 8, 2015 for co-pending U.S. Appl. No. 13/660,855.
 Final Office Action Mailed Aug. 6, 2015 for co-pending U.S. Appl. No. 13/660,855.
 Non-Final Office Action Mailed Apr. 29, 2015 for co-pending U.S. Appl. No. 13/660,855.
 Final Office Action Mailed Dec. 17, 2014 for co-pending U.S. Appl. No. 13/660,855.
 Non-Final Office Action Mailed Sep. 4, 2014 for co-pending U.S. Appl. No. 13/660,855.
 Final Office Action Mailed Sep. 24, 2013 for co-pending U.S. Appl. No. 13/660,855.
 Non-Final Office Action Mailed May 14, 2013 for co-pending U.S. Appl. No. 13/660,855.
 Non-Final Office Action Mailed Jul. 5, 2016 for co-pending U.S. Appl. No. 14/996,362.
 Non-Final Office Action Mailed Jul. 6, 2016 for co-pending U.S. Appl. No. 15/144,450.
 Final Office Action Mailed Sep. 29, 2016 for co-pending U.S. Appl. No. 13/768,962.
 Non-Final Office Action Mailed Apr. 5, 2016 for co-pending U.S. Appl. No. 13/768,962.
 Final Office Action Mailed Oct. 9, 2015 for co-pending U.S. Appl. No. 13/768,962.
 Non-Final Office Action Mailed May 1, 2015 for co-pending U.S. Appl. No. 13/768,962.
 Non-Final Office Action Mailed Jul. 18, 2016 for co-pending U.S. Appl. No. 15/152,744.
 Non-Final Office Action Mailed Apr. 13, 2016 for co-pending U.S. Appl. No. 14/738,485.
 Non-Final Office Action Mailed Sep. 7, 2016 for co-pending U.S. Appl. No. 14/841,942.
 Final Office Action Mailed May 12, 2016 for co-pending U.S. Appl. No. 14/841,942.
 Non-Final Office Action Mailed Nov. 30, 2015 for co-pending U.S. Appl. No. 14/841,942.
 Non-Final Office Action Mailed Jul. 21, 2016 for co-pending U.S. Appl. No. 15/083,596.
 Non-Final Office Action Mailed Aug. 19, 2016 for co-pending U.S. Appl. No. 15/084,613.
 Non-Final Office Action Mailed Sep. 6, 2016 for co-pending U.S. Appl. No. 15/143,942.

Final Office Action Mailed Sep. 1, 2016 for co-pending U.S. Appl. No. 14/848,447.
 Non-Final Office Action Mailed Apr. 8, 2016 for co-pending U.S. Appl. No. 14/848,447.
 Non-Final Office Action Mailed Oct. 27, 2016 for co-pending U.S. Appl. No. 15/219,676.
 Non-Final Office Action Mailed Nov. 9, 2016 for co-pending U.S. Appl. No. 14/948,494.
 Final Office Action Mailed Nov. 4, 2016 for co-pending U.S. Appl. No. 14/738,485.
 Non-Final Office Action Mailed May 13, 2016 for co-pending U.S. Appl. No. 14/986,826.
 Final Office Action Mailed Sep. 15, 2016 for co-pending U.S. Appl. No. 14/922,836.
 Non-Final Office Action Mailed Feb. 4, 2016 for co-pending U.S. Appl. No. 14/922,836.
 Final Office Action Mailed Aug. 25, 2016 for co-pending U.S. Appl. No. 14/927,614.
 Non-Final Office Action Mailed Mar. 1, 2016 for co-pending U.S. Appl. No. 14/927,614.
 Non-Final Office Action Mailed Apr. 29, 2016 for co-pending U.S. Appl. No. 14/943,182.
 Final Office Action Mailed Sep. 15, 2016 for co-pending U.S. Appl. No. 14/882,973.
 Non-Final Office Action Mailed Feb. 11, 2016 for co-pending U.S. Appl. No. 14/882,973.
 Non-Final Office Action Mailed Aug. 11, 2016 for co-pending U.S. Appl. No. 13/625,675.
 Final Office Action Mailed Nov. 11, 2015 for co-pending U.S. Appl. No. 13/625,675.
 Non-Final Office Action Mailed Mar. 11, 2015 for co-pending U.S. Appl. No. 13/625,675.
 Non-Final Office Action Mailed Apr. 3, 2017 for co-pending U.S. Appl. No. 13/555,635.
 Non-Final Office Action Mailed Feb. 14, 2017 for co-pending U.S. Appl. No. 14/943,111.
 Final Office Action Mailed Mar. 7, 2017 for co-pending U.S. Appl. No. 15/144,296.
 Non-Final Office Action Mailed Apr. 6, 2017 for co-pending U.S. Appl. No. 13/768,962.
 Non-Final Office Action Mailed Mar. 6, 2017 for co-pending U.S. Appl. No. 15/152,744.
 Non-Final Office Action Mailed Feb. 24, 2017 for co-pending U.S. Appl. No. 14/943,182.
 File History for U.S. Appl. No. 61/538,616, Robert A. Harris, Sep. 23, 2011. (21 pages).
 International Search Report and Written Opinion for PCT/US2017/012271, dated May 22, 2017.
 Non-Final Office Action dated Apr. 24, 2017 for co-pending U.S. Appl. No. 14/738,485.
 Final Office Action dated May 4, 2017 for co-pending U.S. Appl. No. 15/143,942.
 Final Office Action dated May 30, 2017 for co-pending U.S. Appl. No. 13/625,675.
 Final Office Action dated Apr. 19, 2017 for co-pending U.S. Appl. No. 15/219,640.
 Non-Final Office Action dated Jun. 1, 2017 for co-pending U.S. Appl. No. 15/219,640.
 Final Office Action dated May 2, 2017 for co-pending U.S. Appl. No. 15/219,676.
 Non-Final Office Action dated May 10, 2017 for co-pending U.S. Appl. No. 14/882,973.

* cited by examiner

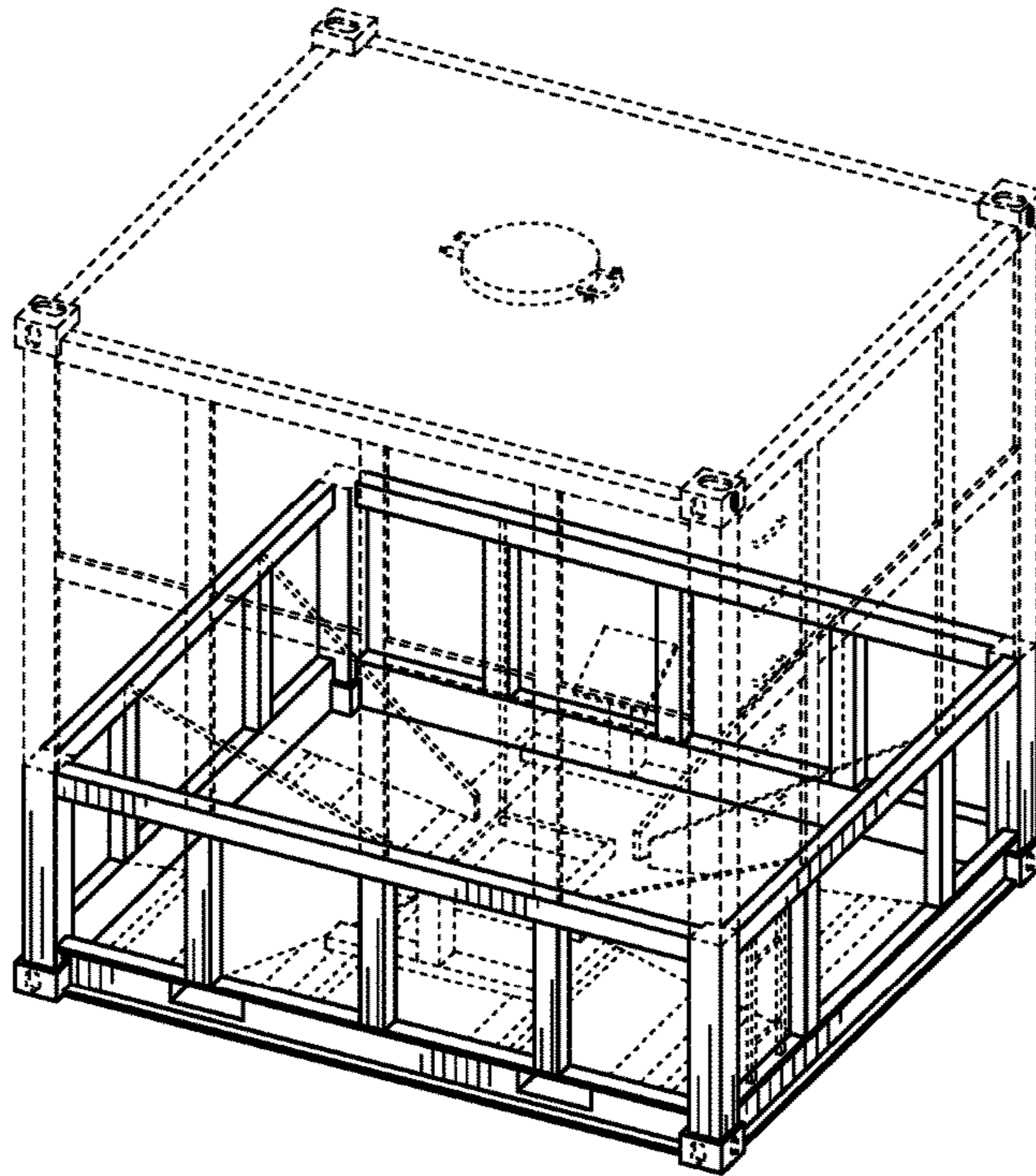


FIG. 1
Amended

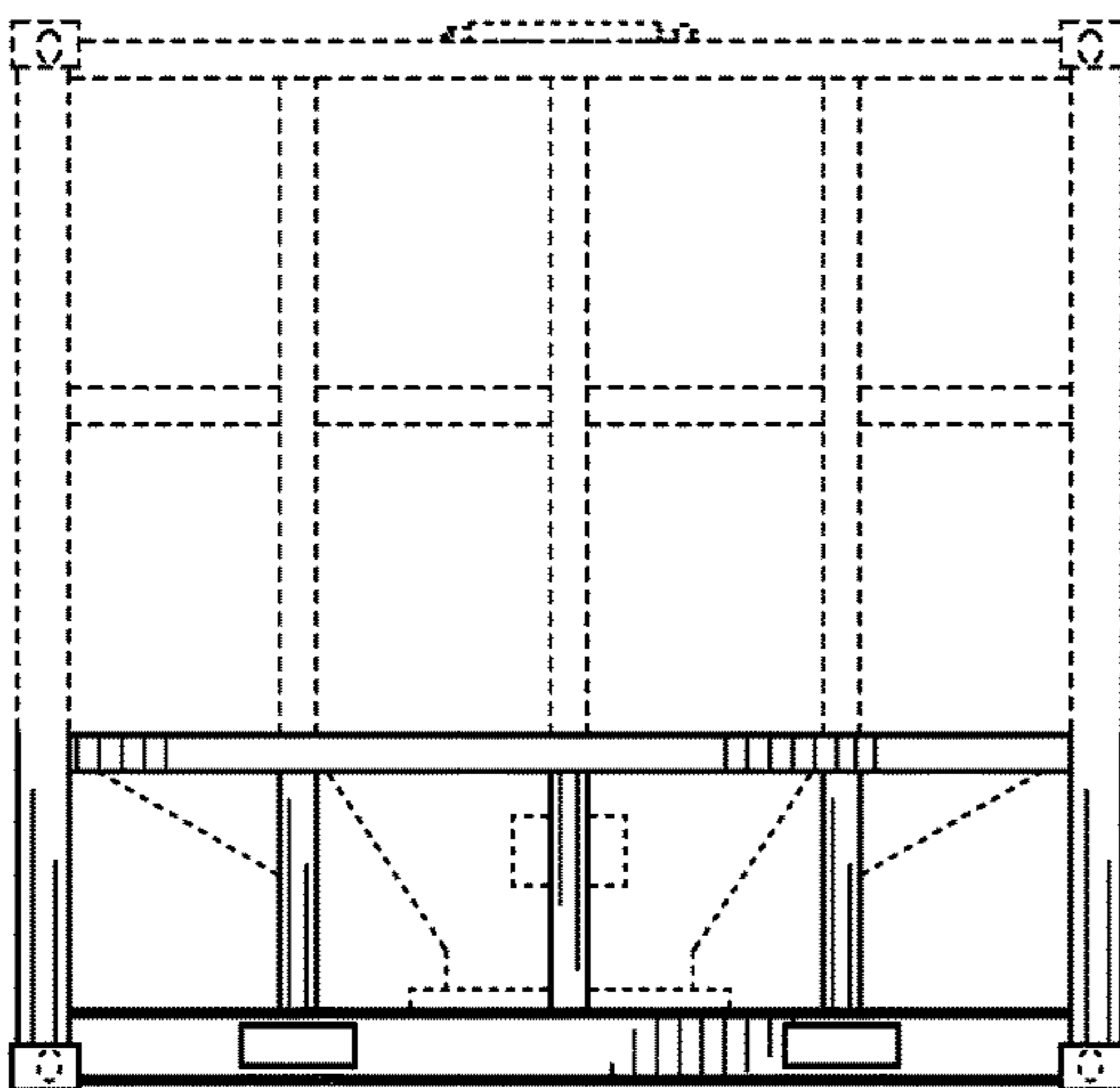


FIG. 2
Amended

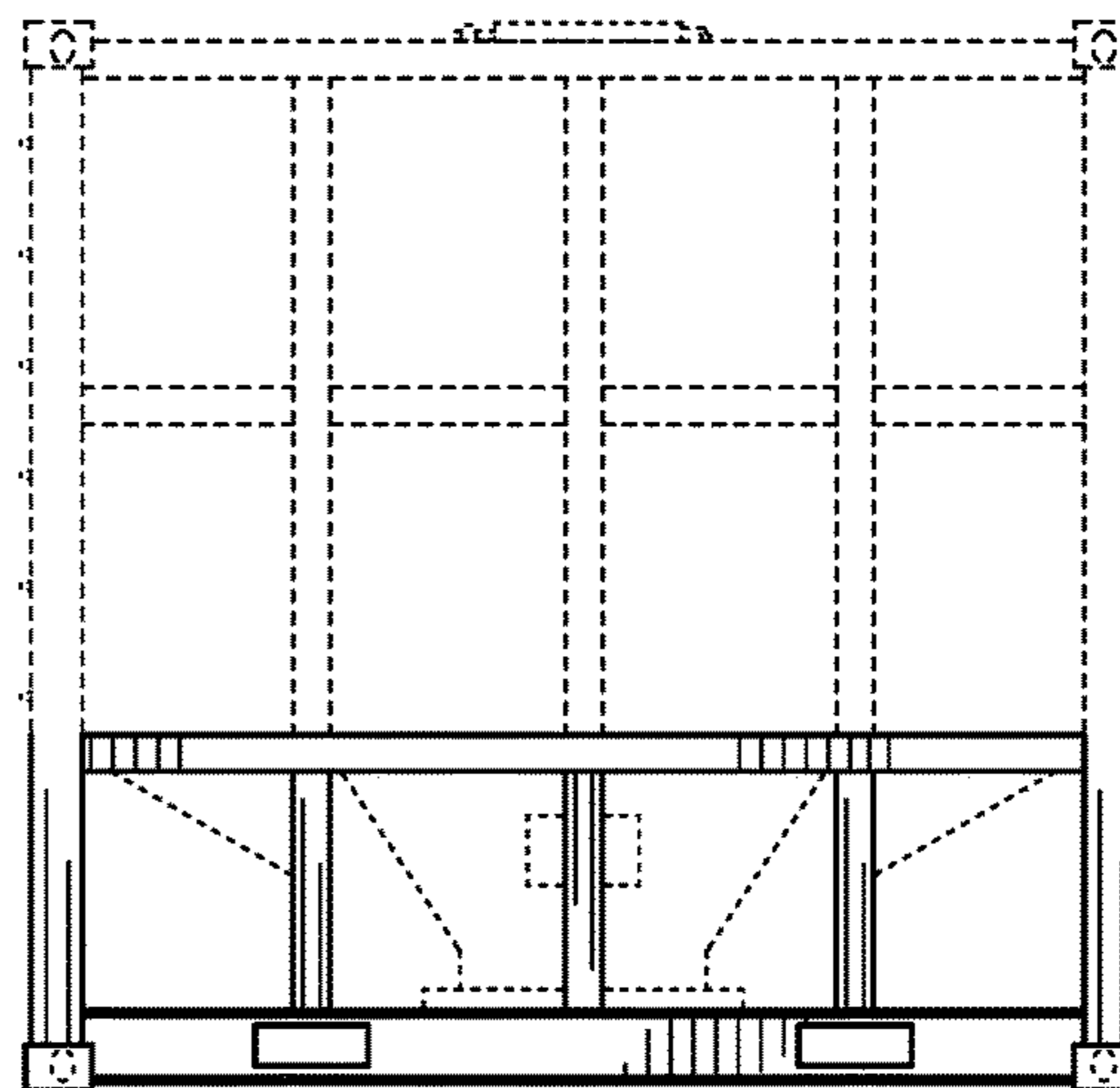


FIG. 3
Amended

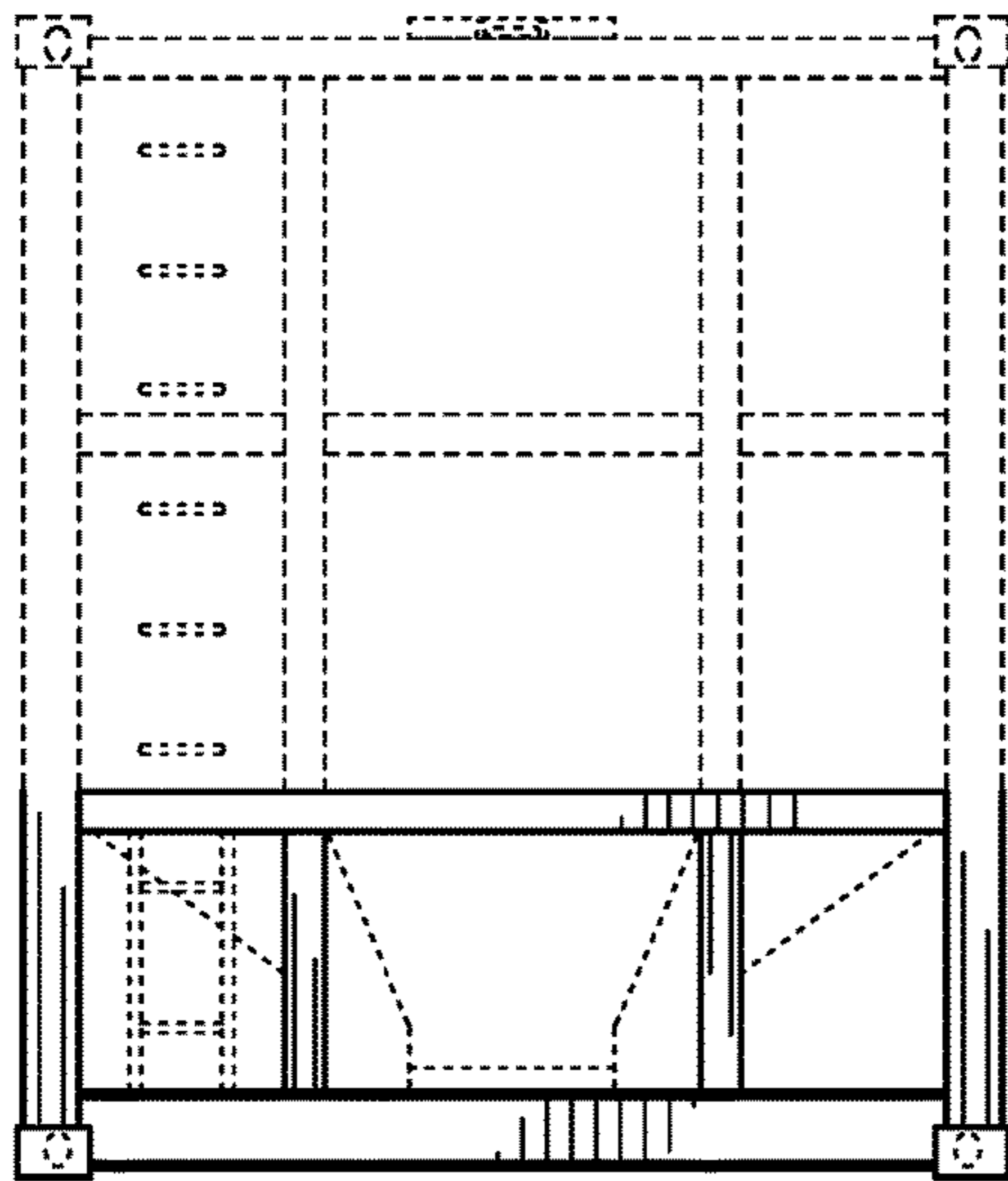


FIG. 4
Amended

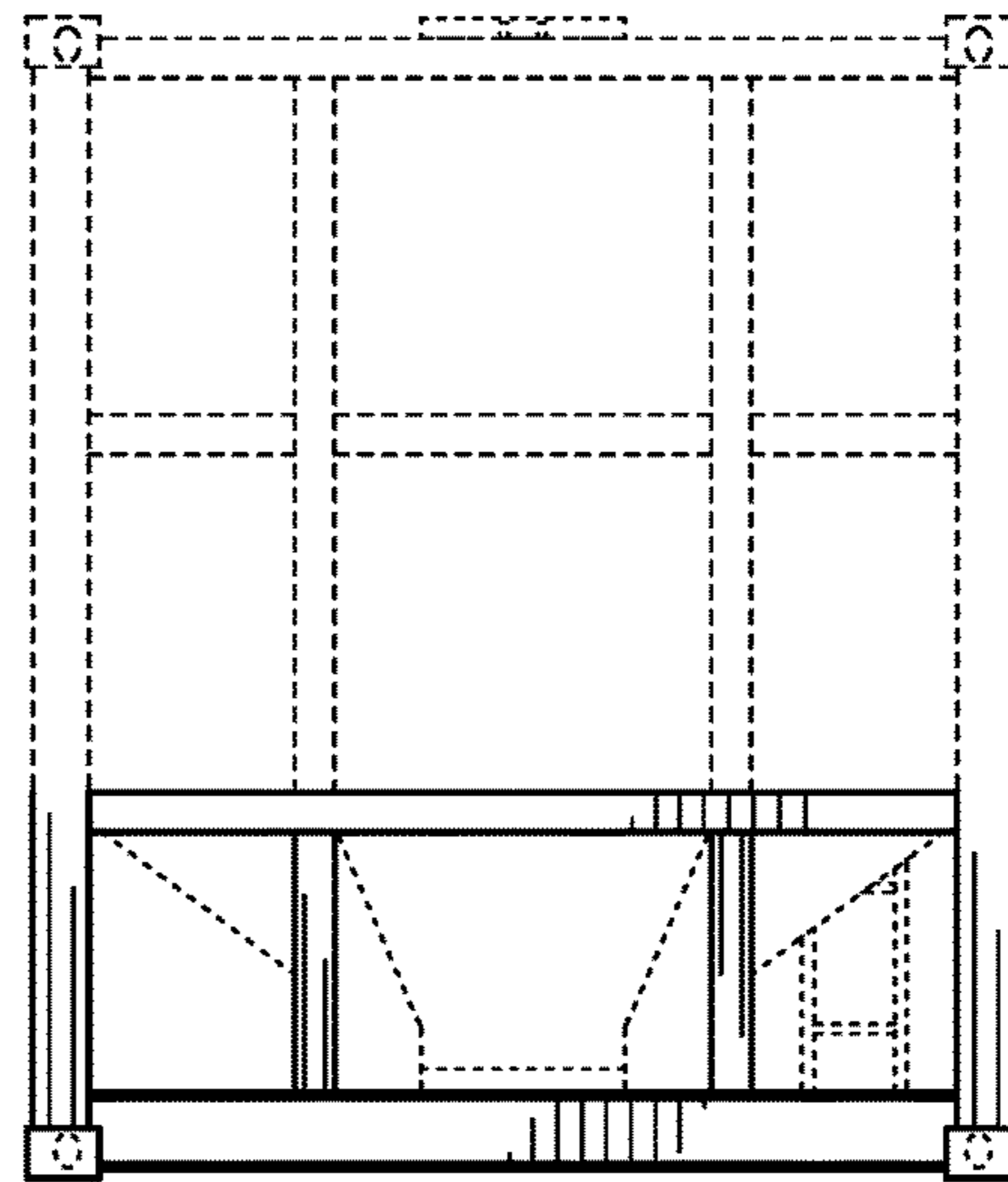


FIG. 5
Amended

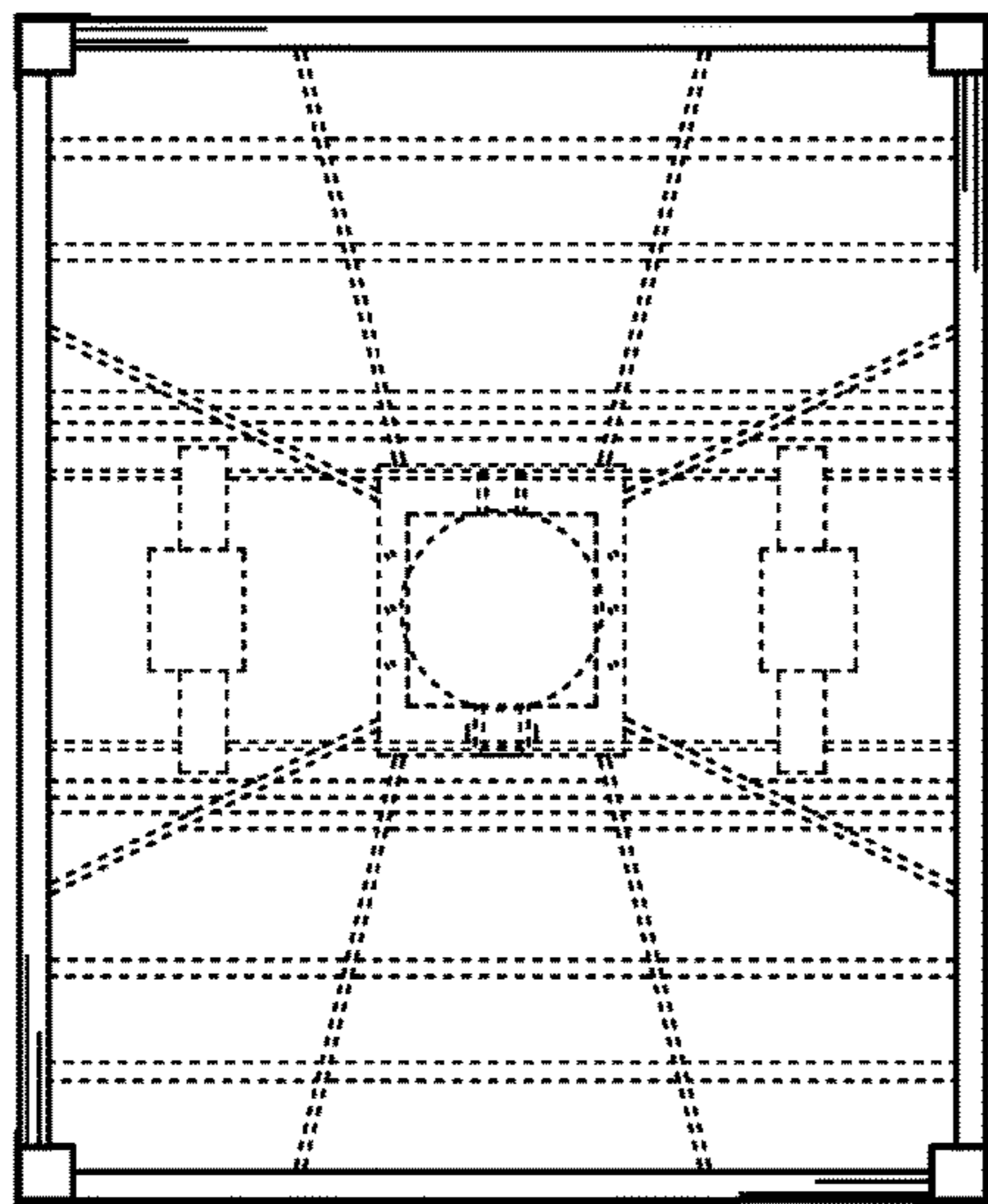


FIG. 6
Amended

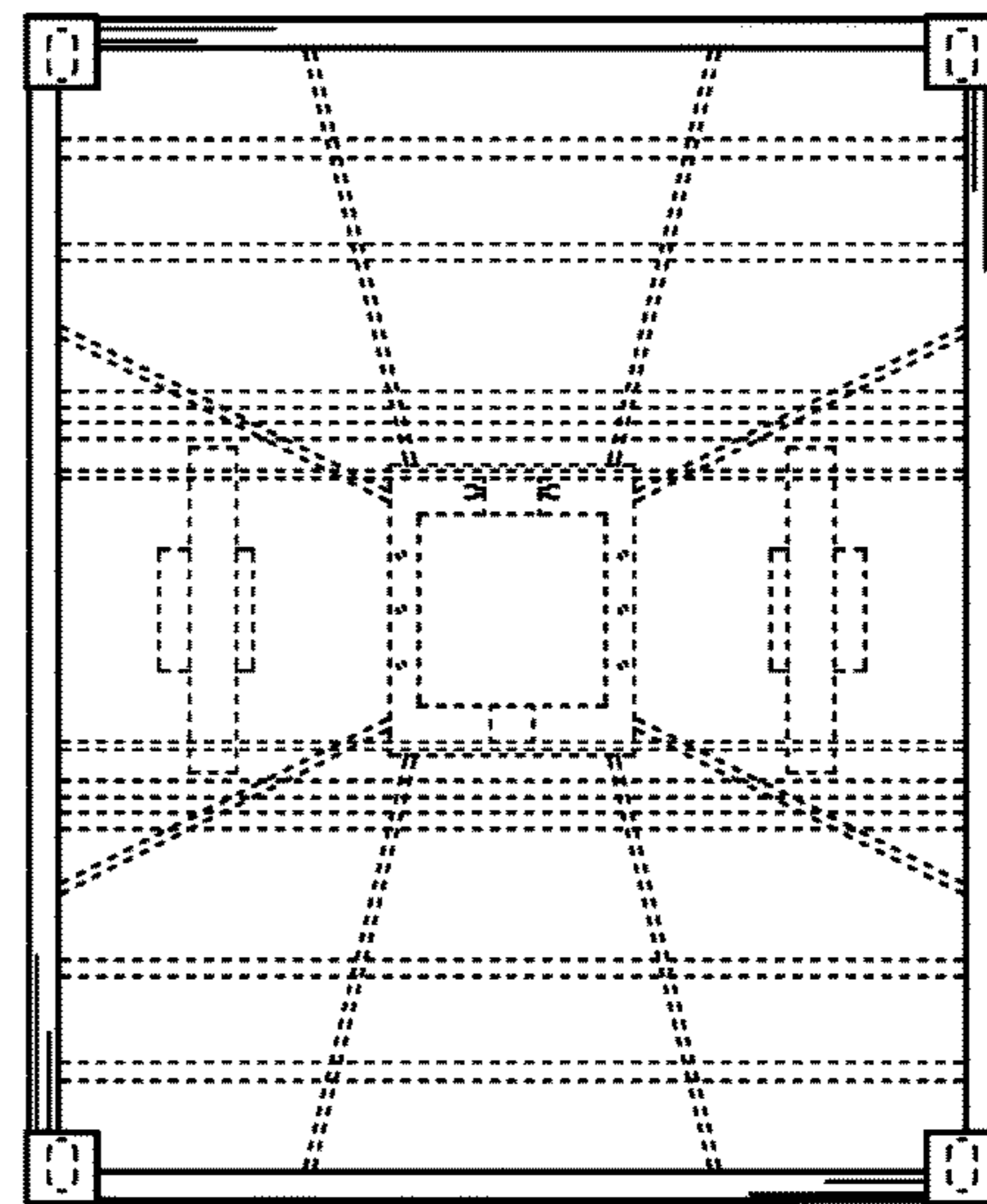


FIG. 7
Amended