



US00RE46525E

(19) **United States**
(12) **Reissued Patent**
Castonguay et al.

(10) **Patent Number: US RE46,525 E**
(45) **Date of Reissued Patent: *Aug. 29, 2017**

(54) **FIBER OPTIC LOCAL CONVERGENCE POINTS FOR MULTIPLE DWELLING UNITS**

(71) Applicant: **Corning Optical Communications LLC**, Hickory, NC (US)
(72) Inventors: **Guy Castonguay**, Peoria, AZ (US); **Terry Dean Cox**, Fort Worth, TX (US); **Thomas Shaw Liggett**, Keller, TX (US); **Selena Strickland**, Monclova, OH (US)

(73) Assignee: **Corning Optical Communications LLC**, Hickory, NC (US)

(*) Notice: This patent is subject to a terminal disclaimer.

(21) Appl. No.: **14/028,338**

(22) Filed: **Sep. 16, 2013**

Related U.S. Patent Documents

Reissue of:

(64) Patent No.: **7,548,680**
Issued: **Jun. 16, 2009**
Appl. No.: **12/012,144**
Filed: **Jan. 31, 2008**

U.S. Applications:

(63) Continuation of application No. 13/162,115, filed on Jun. 16, 2011, which is an application for the reissue
(Continued)

(51) **Int. Cl.**
G02B 6/00 (2006.01)
H04J 14/00 (2006.01)
G02B 6/44 (2006.01)

(52) **U.S. Cl.**
CPC **G02B 6/445** (2013.01); **G02B 6/4452** (2013.01); **G02B 6/4454** (2013.01); **G02B 6/4471** (2013.01)

(58) **Field of Classification Search**
CPC **G02B 6/445**; **G02B 6/4452**; **G02B 6/4454**; **G02B 6/4471**

(Continued)

(56) **References Cited**

U.S. PATENT DOCUMENTS

4,792,203 A 12/1988 Nelson et al.
4,844,573 A * 7/1989 Gillham et al. 385/42
(Continued)

FOREIGN PATENT DOCUMENTS

CN 1632628 A 6/2005
CN 1300607C LI 2/2007
(Continued)

OTHER PUBLICATIONS

Patent Cooperation Treaty, International Search Report and Written Opinion for International Application No. PCT/US2008/03128, Feb. 7, 2008.

(Continued)

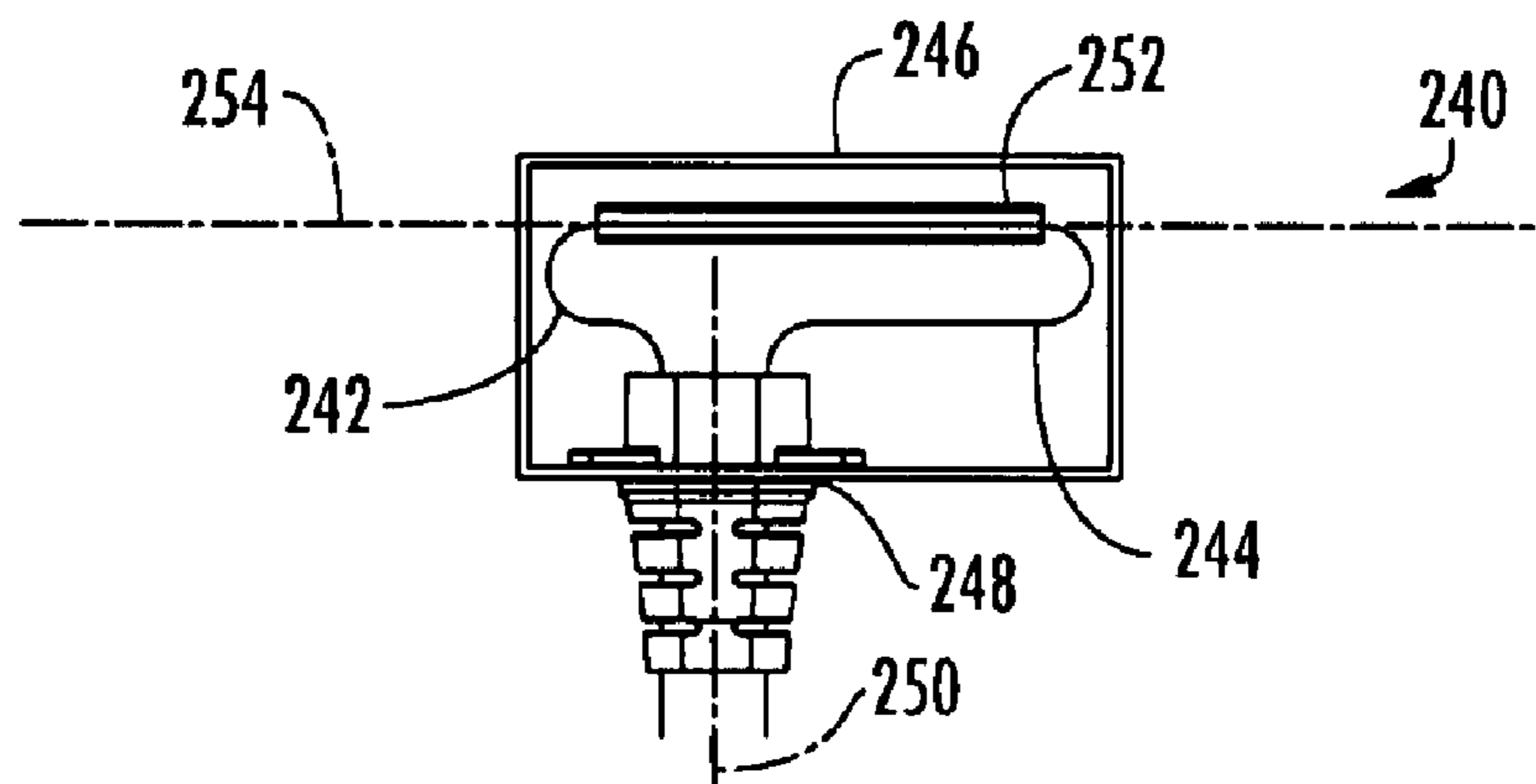
Primary Examiner — Deandra Hughes

(74) *Attorney, Agent, or Firm* — LeClairRyan, a Professional Corporation

(57) **ABSTRACT**

There are provided fiber optic local convergence points (“LCPs”) adapted for use with multiple dwelling units (“MDUs”) that facilitate relatively easy installation and/or optical connectivity to a relatively large number of subscribers. The LCP includes a housing mounted to a surface, such as a wall, and a cable assembly with a connector end to be optically connected to a distribution cable and a splitter end to be located within the housing. The splitter end includes at least one splitter and a plurality of subscriber receptacles to which subscriber cables may be optically connected. The splitter end of the cable assembly of the LCP may also include a splice tray assembly and/or a fiber optic routing guide. Furthermore, a fiber distribution terminal (“FDT”) may be provided along the subscriber cable to facilitate installation of the fiber optic network within the MDU.

7 Claims, 14 Drawing Sheets



Related U.S. Application Data

of Pat. No. 7,548,680, which is a continuation of application No. 11/653,137, filed on Jan. 12, 2007, now Pat. No. 7,349,616.

(58) **Field of Classification Search**

USPC 385/32, 50
See application file for complete search history.

(56) **References Cited**

U.S. PATENT DOCUMENTS

4,948,220 A 8/1990 Violo et al.
5,100,221 A 3/1992 Carney et al.
5,187,766 A 2/1993 Finzel et al.
5,249,252 A 9/1993 Noto
5,260,957 A 11/1993 Hakimi et al. 372/39
5,274,731 A 12/1993 White
5,363,440 A 11/1994 Daoud
5,402,515 A 3/1995 Vidacovich et al.
5,421,532 A 6/1995 Richter
D362,255 S 9/1995 White
5,548,678 A * 8/1996 Frost et al. 385/135
5,655,044 A 8/1997 Finzel et al.
5,668,911 A 9/1997 Debortoll
5,734,776 A 3/1998 Puetz
5,778,131 A 7/1998 Llewellyn et al.
5,790,741 A 8/1998 Vincent et al.
5,881,200 A 3/1999 Burt 385/142
5,946,440 A 8/1999 Puetz
6,061,492 A 5/2000 Strause et al.
6,157,714 A 12/2000 Daoud
6,160,946 A 12/2000 Thompson et al.
6,256,444 B1 7/2001 Bechamps et al.
6,259,851 B1 7/2001 Daoud 385/135
6,263,141 B1 7/2001 Smith
6,282,360 B1 8/2001 Milanowski et al.
6,356,697 B1 3/2002 Braga et al.
6,363,200 B1 3/2002 Thompson et al.
6,385,381 B1 5/2002 Janus et al.
6,424,781 B1 7/2002 Puetz et al.
6,532,332 B2 3/2003 Solheid et al.
6,535,579 B1 3/2003 Blake et al.
6,535,682 B1 3/2003 Puetz et al.
6,542,652 B1 4/2003 Mahony
6,556,763 B1 4/2003 Puetz et al.
6,577,801 B2 6/2003 Broderick et al. 385/125
6,584,267 B1 6/2003 Caveney et al.
6,614,978 B1 9/2003 Caveney
6,631,237 B2 10/2003 Knudsen et al.
6,633,717 B1 10/2003 Knight et al.
6,661,961 B1 12/2003 Allen et al.
6,695,486 B1 2/2004 Falkenberg
6,710,366 B1 3/2004 Lee et al. 257/14
6,711,339 B2 3/2004 Puetz et al.
6,760,531 B1 7/2004 Solheid et al.
6,766,094 B2 * 7/2004 Smith et al. 385/135
6,788,786 B1 9/2004 Kessler et al.
6,792,191 B1 * 9/2004 Clapp et al. 385/135
6,795,552 B1 9/2004 Stanush et al.
6,796,437 B2 9/2004 Krampotich et al.
6,802,724 B1 10/2004 Mahony 439/135
6,810,194 B2 10/2004 Griffiths et al.
6,815,612 B2 11/2004 Bloodworth et al.
6,850,685 B2 2/2005 Tinucci et al.
6,922,509 B2 * 7/2005 Hamada 385/48
6,925,241 B2 8/2005 Bohle et al.
6,959,131 B2 * 10/2005 Willig 385/43
6,968,107 B2 11/2005 Belardi et al. 385/127
6,983,095 B2 1/2006 Reagan et al.
7,054,513 B2 5/2006 Herz et al. 385/12
7,054,523 B2 5/2006 Takahashi et al.
7,083,051 B2 8/2006 Smith et al.
7,086,539 B2 8/2006 Knudsen et al.
7,086,898 B2 8/2006 Johnsen et al.
7,088,889 B2 * 8/2006 Takahashi et al. 385/43
7,088,899 B2 8/2006 Reagan et al.

7,090,084 B2 8/2006 Knudsen et al.
7,102,884 B2 9/2006 Mertesdorf et al.
7,103,247 B2 9/2006 Yamazaki et al.
7,103,255 B2 9/2006 Reagan et al.
7,139,461 B2 11/2006 Puetz et al.
7,142,764 B2 11/2006 Allen et al.
7,146,089 B2 12/2006 Reagan et al.
7,149,398 B2 12/2006 Solheid et al.
7,171,100 B2 1/2007 Solheid et al.
7,171,102 B2 1/2007 Reagan et al.
7,173,183 B2 2/2007 McMahan et al.
7,194,181 B2 3/2007 Holmberg et al.
7,200,317 B2 4/2007 Reagan et al.
7,218,827 B2 5/2007 Vongseng et al.
7,218,828 B2 5/2007 Feustel et al.
7,233,731 B2 6/2007 Solheid et al.
7,245,809 B1 7/2007 Gniadek et al.
7,277,620 B2 10/2007 Vongseng et al.
7,295,747 B2 11/2007 Solheid et al.
7,298,952 B2 11/2007 Allen et al.
7,330,546 B2 2/2008 Kessler et al.
7,330,626 B2 2/2008 Kowalczyk et al.
7,333,707 B2 2/2008 Puetz et al.
7,343,071 B2 * 3/2008 Laurent-Lund 385/45
7,349,616 B1 * 3/2008 Castonguay et al. 385/135
7,359,610 B2 4/2008 Vongseng
7,366,391 B2 4/2008 Ellison et al.
7,369,741 B2 5/2008 Reagan et al.
7,400,816 B2 7/2008 Reagan et al.
7,406,242 B1 7/2008 Braga
7,409,138 B1 8/2008 Frazier et al.
7,418,181 B2 8/2008 Zimmel et al.
7,421,183 B2 9/2008 Vongseng
7,433,566 B2 10/2008 Bookbinder et al.
7,444,050 B2 * 10/2008 Miyadera et al. 385/45
7,450,806 B2 11/2008 Bookbinder et al.
7,450,807 B2 11/2008 Bickham et al.
7,505,660 B2 3/2009 Bickham et al.
7,548,680 B2 6/2009 Castonguay et al.
7,620,282 B2 11/2009 Bickham et al.
7,680,380 B2 3/2010 Johnson
8,380,036 B2 2/2013 Smith
2002/0181925 A1 12/2002 Hodge et al.
2003/0072518 A1 4/2003 Henschel et al.
2003/0113086 A1 6/2003 Jun et al.
2004/0001686 A1 1/2004 Smith et al. 385/135
2004/0067024 A1 4/2004 Yamada et al.
2004/0228598 A1 11/2004 Allen et al.
2004/0258355 A1 12/2004 Wang et al.
2005/0021391 A1 * 1/2005 Lu et al. 705/11
2005/0021392 A1 1/2005 English et al. 705/12
2005/0129379 A1 6/2005 Reagan et al.
2005/0213921 A1 * 9/2005 Mertesdorf et al. 385/135
2005/0249505 A1 * 11/2005 Manderscheid et al. 398/177
2005/0254757 A1 11/2005 Ferretti, III et al.
2005/0265664 A1 12/2005 Yang et al.
2006/0008231 A1 1/2006 Reagan et al.
2006/0083461 A1 * 4/2006 Takahashi et al. 385/28
2006/0133753 A1 * 6/2006 Nelson et al. 385/125
2006/0153516 A1 7/2006 Napiorkowski et al.
2006/0177190 A1 8/2006 Vongseng et al.
2006/0193586 A1 8/2006 Hoehne et al.
2006/0233507 A1 10/2006 Makrides-Saravanos et al.
2006/0263029 A1 * 11/2006 Mudd et al. 385/135
2006/0275008 A1 12/2006 Xin
2006/0285807 A1 12/2006 Lu et al.
2007/0003204 A1 1/2007 Makrides-Saravanos et al.
2007/0003205 A1 * 1/2007 Saravanos et al. 385/137
2007/0036503 A1 2/2007 Solheid et al.
2007/0165995 A1 7/2007 Reagan et al.
2007/0189691 A1 8/2007 Barth et al.
2007/0192817 A1 8/2007 Landry et al.
2007/0212010 A1 9/2007 Caveney
2008/0008436 A1 1/2008 Reagan et al.
2008/0013910 A1 1/2008 Reagan et al.
2008/0019655 A1 1/2008 Vongseng et al.
2008/0025684 A1 1/2008 Vongseng et al.
2008/0031585 A1 2/2008 Solheid et al.
2008/0042536 A1 2/2008 Guzzo et al.

(56)

References Cited

U.S. PATENT DOCUMENTS

2008/0075411	A1	3/2008	Solheid et al.	
2008/0079341	A1	4/2008	Anderson et al.	
2008/0080825	A1	4/2008	Leon et al.	
2008/0080826	A1	4/2008	Leon et al.	
2008/0080827	A1	4/2008	Leon et al.	
2008/0080828	A1	4/2008	Leon et al.	
2008/0080829	A1	4/2008	Smith et al.	
2008/0093101	A1	4/2008	Kessler et al.	
2008/0112675	A1*	5/2008	Lewallen et al.	385/99
2008/0116153	A1	5/2008	Smith et al.	
2008/0118207	A1	5/2008	Yamamoto et al.	
2008/0124038	A1	5/2008	Kowalczyk et al.	
2008/0124039	A1	5/2008	Gniadek et al.	
2008/0145013	A1*	6/2008	Escoto et al.	385/135
2008/0152292	A1*	6/2008	Wilken et al.	385/135
2008/0170833	A1	7/2008	Castonguay et al.	
2008/0212928	A1	9/2008	Kowalczyk et al.	
2008/0219633	A1	9/2008	Smith et al.	

FOREIGN PATENT DOCUMENTS

EP	0744640	A1	11/1996
EP	0744640	B1	8/2006
JP	62-27312		2/1987
JP	H02-007009	A	1/1990
JP	H11-326683	A	11/1999
JP	2001-356217	A	12/2001
JP	2002-221638	A	8/2002
JP	2003-262743	A	9/2003
JP	2003-307630	A	10/2003
JP	2004-109730	A	4/2004
JP	2004-126471	A	4/2004
JP	2004-221420	A	8/2004
JP	2004-317838	A	11/2004
JP	2005-115263	A	4/2005
JP	2005-165303	A	6/2005
JP	2006-201662	A	8/2006
JP	2006-313212	A	11/2006
JP	2006-317630	A	11/2006
WO	89/05989	A1	6/1989
WO	91/18311	A2	11/1991
WO	WO 95/06347	A1	3/1995
WO	02/33457	A2	4/2002
WO	WO 2004/086112	A1	10/2004
WO	WO 2005/050277	A2	6/2005
WO	WO 2005/088373	A1	9/2005
WO	WO 2006/050505	A1	5/2006
WO	2006112979	A2	10/2006
WO	WO 2006/127457	A1	11/2006
WO	WO 2006/135524	A2	12/2006
WO	WO 2008/088675	A2	7/2008
WO	WO 2008/112179	A1	9/2008

OTHER PUBLICATIONS

Gibson et al., Evanescent Field Analysis of Air-Silica Microstructure Waveguides, IEEE, 0-7803-7105-4/01, 2001, pp. 709-710.

Penn Well Corporation, "Bringing Fiber to the multi-dwelling unit", reprinted with revisions to format, from the Oct. 2005 edition of Cabling Installation & Maintenance, Copyright 2005.

Corning Cable Systems LLC, Product Information Sheet, OptiTect™ Premier Local Convergence Cabinet, An Evolant© Solutions Product, Sep. 2006, 6 pages.

FONS, Fiber Optic Network Solutions, "Fiber Distribution Terminals", Fiber Access Terminals, Copyright© FONS Corp. 2005, www.fons.com, 3 pages.

FONS, Fiber Optic Network Solutions, "Indoor Fiber Distribution Terminal", "Interior Wall Mount Terminals", Copyright© FONS Corp. 2005, www.fons.com, 3 pages.

ADC Spec Sheet "OmniReach™ FTTX Solutions", "Outdoor Fiber Distribution Terminal 24 (OFDT-24)", 103335AE, Jan. 2007 Revision © 2006, 2007 www.adc.com, 4 pages.

ADC Spec Sheet "OmniReach™ FTTX Solutions", "Indoor Fiber Distribution Terminal", 103266AE, Aug. 2006 Revision © 2006 www.adc.com, 4 pages.

ADC Catalog "OmniReach™ FTTP Solutions", "Fiber Distribution Terminals", "FTTP Infrastructure Solutions", "Fiberglass In-Ground Mounting Sleeve", "Above Ground Cabinet Mounting", "Pad or Pole Mounting", "Accessories", 1276550 Apr. 2004, Revision © 2003, 2004 www.adc.com, 12 pages.

Emerson product sheet, "NetSpan™ Fiber Distribution Hub Fiber Cross-Connect Enclosure", "Outside Plant for Business Continuity", © 2006 Emerson Network Power Energy Systems, North America, www.EmersonNetworkPower.com/Energy_Systems.Com, 2 pages.

Draka Comteq/Optical Fibre, Issue Date: Aug. 2006, Supersedes: -/, "BendBrightXS Single Mode Optical Fibre, Enhances low macrobending sensitive, low water peak fibre, Product Type: G.652D, Coating Type: ColorLock™ and Natural", www.drakafibre.com www.draka.com, 2 pages.

Corning Cable Systems, "OptiTect® Gen III Splitter Modules," Standard Recommended Procedure (SRP) 000-258, Issue 1, 6 pages (Nov. 2007).

Corning Cable Systems, "OptiTect® Gen III Splitter Modules," Standard Recommended Procedure (SRP) 000-245, Issue 7, 4 pages (Mar. 2009)

Corning Cable Systems, "Outdoor Multidwelling Unit (MDU) with Splitter Modules," Standard Recommended Procedure (SRP) 003-764, Issue 1, 16 pages (Nov. 2007).

Corning Cable Systems, "OptiTect® FDH-HDF Cabinet," Standard Recommended Procedure (SRP) 003-668, Issue 1f, 20 pages (Mar. 2004).

Corning Cable Systems, "OptiTect® Premiere Cabinet FDH-HDF," Standard Recommended Procedure (SRP) 003-668, Issue 5, 26 pages (Mar. 2005).

ADC, "OmniReach FTTX Solutions. Passive Optical Splitter Modules. 6th Edition," 102902AE, Dec. 2008 Revision, Copyright 2008, 2007, 2006, 19 pages.

International Search Report and Written Opinion for PCT/US2008/000095 (Sep. 12, 2008).

Office Action for Australian Patent Application No. 2008226892 (May 19, 2011).

Office Action for Australian Patent Application No. 2008226892 (Sep. 7, 2011).

Office Action for Canadian Patent Application No. 2,679,996 (Nov. 30, 2011).

Office Action for Canadian Patent Application No. 2,754,111 (Nov. 29, 2011).

Office Action for Canadian Patent Application No. 2,754,149 (Nov. 29, 2011).

Office Action for parent Reissue U.S. Appl. No. 13/162,115 (Dec. 19, 2011).

Office Action for parent Reissue U.S. Appl. No. 13/162,115 (Dec. 4, 2013).

Office Action for parent Reissue U.S. Appl. No. 13/162,115 (May 4, 2012).

Reissue U.S. Appl. No. 13/162,115, Parent Reissue Application (filed Jun. 16, 2011).

Office Action in U.S. Appl. No. 13/162,115 (Mar. 9, 2015).

"Channel Insertion Loss for 1x64 and 1x128 Split EPONS," IEEE802.3 Plenary Meeting, Dallas, Texas, Siemens Networks SA (Nov. 14-16, 2006).

Office Action for Parent Reissue U.S. Appl. No. 13/162,115, 33 pages (mailed Feb. 11, 2016).

Non-Final Office Action in U.S. Appl. No. 13/162,115 (mailed Nov. 9, 2016).

Corning Cable Systems Standard Recommended Procedure (SRP) 003-718, Issue 2, 24 pages (May 2006).

Corning Cable Systems Standard Recommended Procedure (SRP) 003-735, Issue 4, 31 pages (Sep. 2012).

European Search Report and Opinion for European Application No. EP14180061.5, 13 pages (dated Nov. 21, 2014).

Office Action for Canadian Patent Application No. 2,679,996 (dated Dec. 9, 2016).

(56)

References Cited

OTHER PUBLICATIONS

Office Action for Canadian Patent Application No. 2,679,996 (dated Jul. 27, 2015).

Office Action for Canadian Patent Application No. 2,679,996 (dated Jun. 9, 2014).

Office Action for Canadian Patent Application No. 2,679,996 (dated Jun. 7, 2013).

Office Action for Canadian Patent Application No. 2,679,996 (dated Dec. 4, 2012).

Office Action for Canadian Patent Application No. 2,679,996 (dated Jul. 26, 2012).

Office Action for Canadian Patent Application No. 2,679,996 (dated Apr. 24, 2012).

Office Action for Canadian Patent Application No. 2,754,149 (dated Dec. 9, 2016).

Office Action for Canadian Patent Application No. 2,754,149 (dated Jul. 27, 2015).

Office Action for Canadian Patent Application No. 2,754,149 (dated Nov. 15, 2013).

Office Action for Canadian Patent Application No. 2,754,149 (dated Jun. 7, 2013).

Office Action for Canadian Patent Application No. 2,754,149 (dated Dec. 5, 2012).

Office Action for Canadian Patent Application No. 2,754,149 (dated Aug. 7, 2012).

Office Action for Canadian Patent Application No. 2,754,149 (dated Apr. 25, 2012).

Corning ® SMF-28e ® Optical Fiber Product Information, PI1344, 4 pages (dated Jan. 2005).

Patent Cooperation Treaty, International Search Report for International Application No. PCT/US2008/000095, Sep. 12, 2008, 2 pages.

International Telecommunication Union, ITU-T G.652, Telecommunication Standardization Sector of ITU, Jun. 2005, Series G: Transmission Systems and Media, Digital Systems and Networks, Transmission media characteristics—Optical fibre cables, Characteristics of a single-mode optical fibre and cable, ITU-T Recommendation G.652, 22 pgs.

International Telecommunication Union, ITU-T G.657, Telecommunication Standardization Sector of ITU, Dec. 2006, Series G: Transmission Systems and Media, Digital Systems and Networks, Transmission media and optical systems characteristics—Optical Fibre Cables, Characteristics of a bending loss insensitive single mode optical fibre and cable for the access network, ITU-T Recommendation G.657, 20 pgs.

Monro et al., “Holey Fibers with random cladding distributions” Optic Letters, vol. 25, No. 4; Feb. 15, 2000.

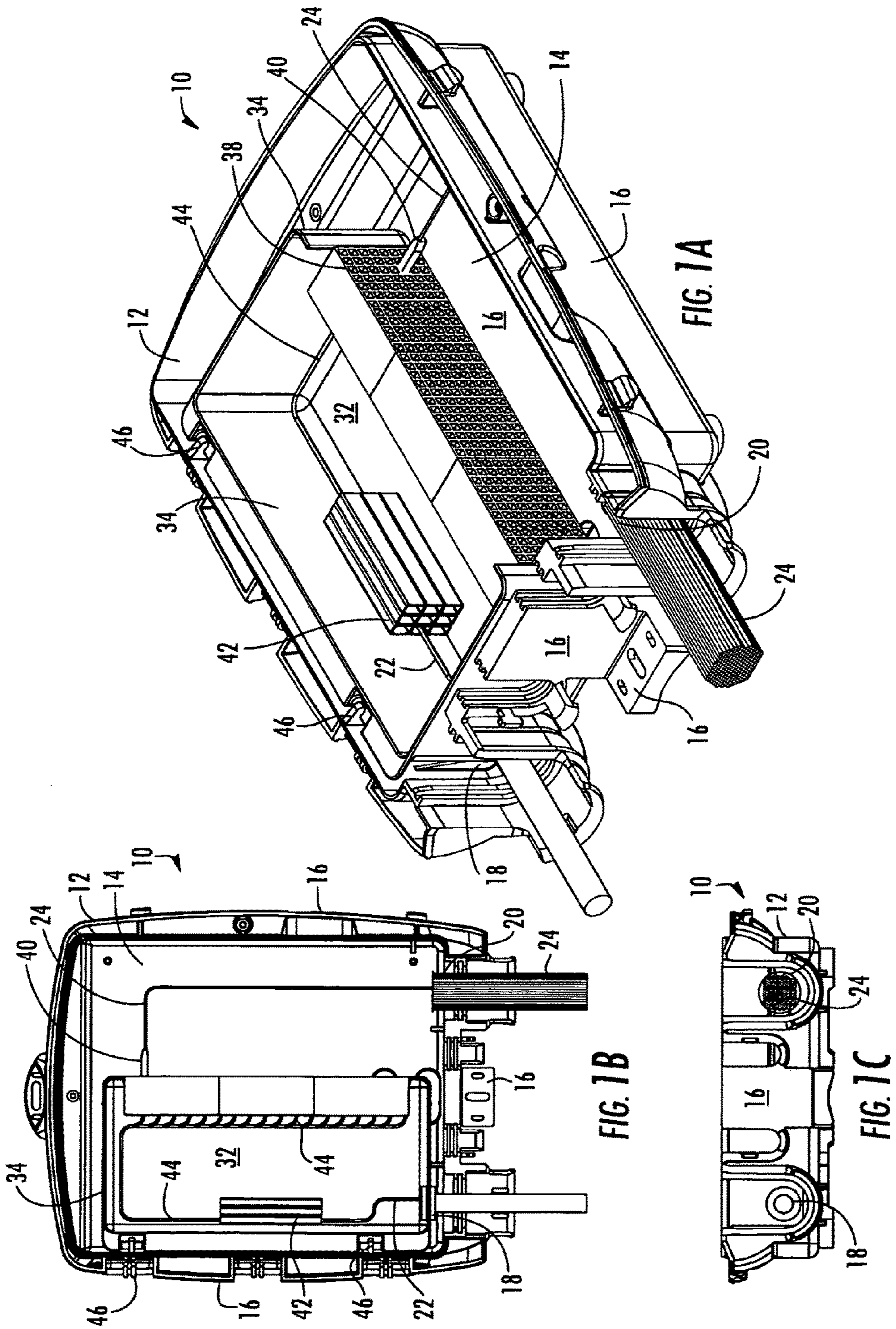
Pickrell et al., “Novel Techniques for the Fabrication of Holey Optical Fibers” Spie Conference Proceedings, vol. 4578, pp. 271-282; 2001.

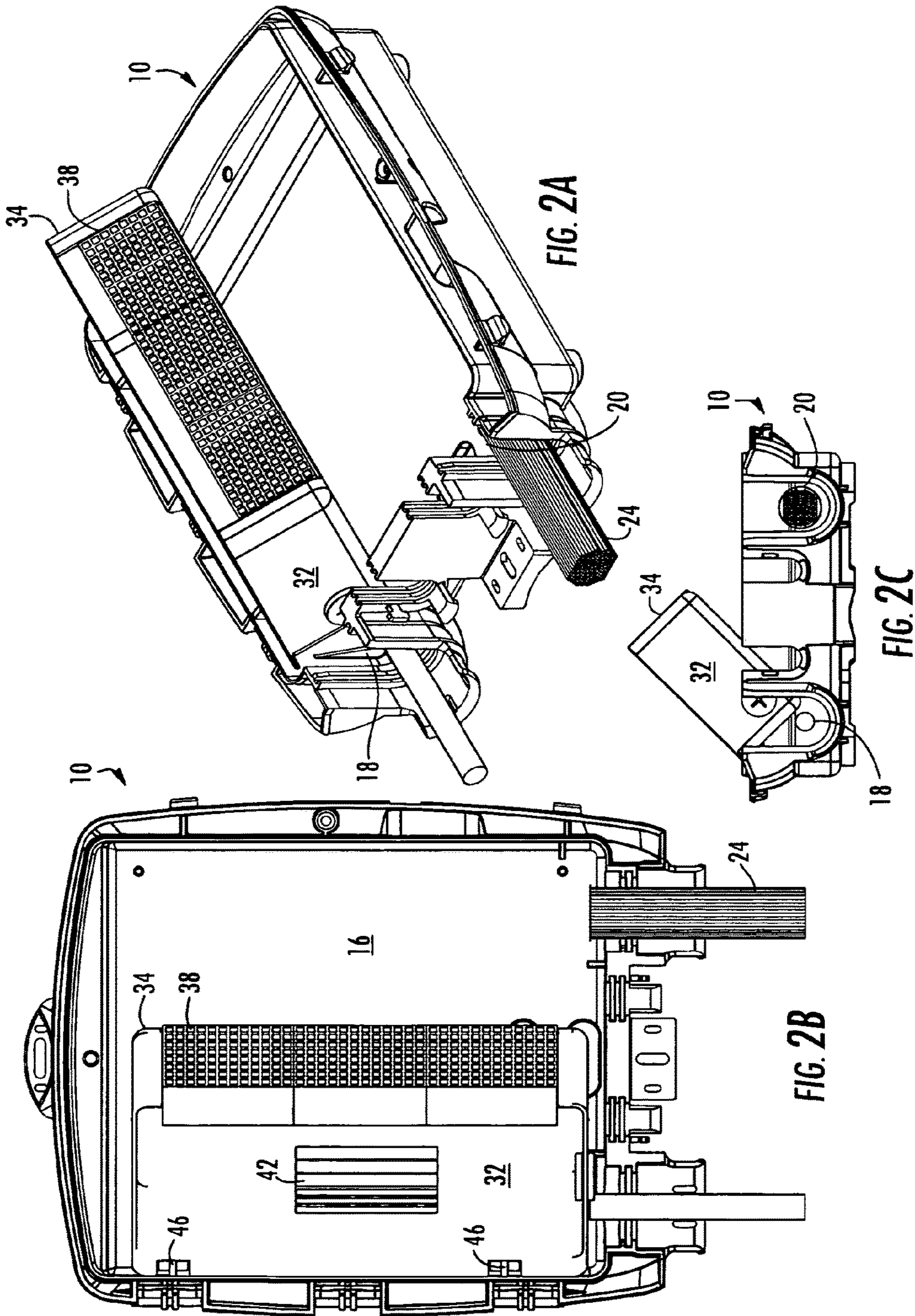
SPC TelEquip product sheet, “FiberGard Distribution Terminal 48 Fiber-Indoor/Outdoor”, “The compact solution for fiber provisioning”, www.spc.net/2005/Fiber%/20Optics%20FiberGard%20Dist%20Term%2048.html.

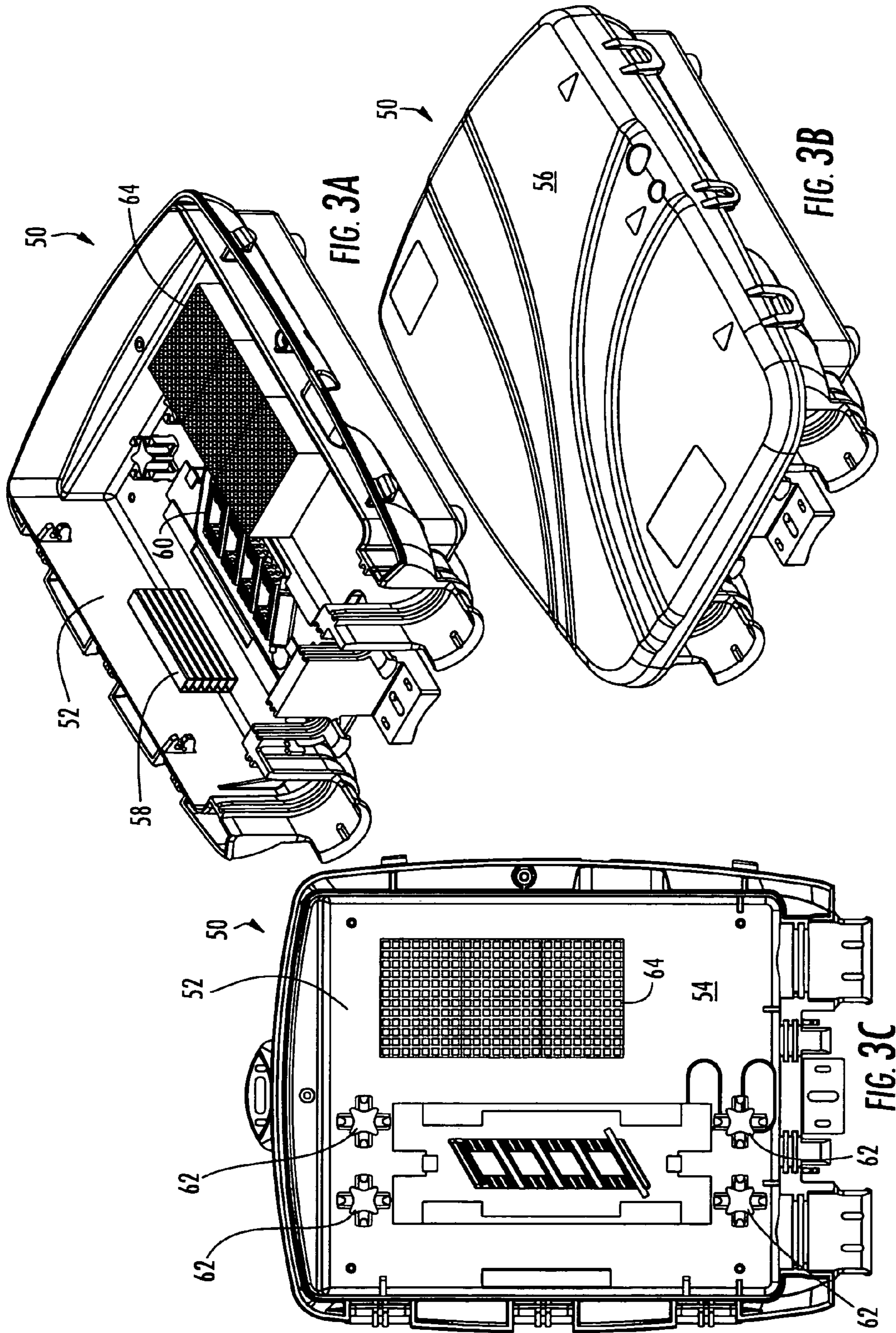
Hitachi Cable Review No. 24 “Low-low Holey Fiber”, Aug. 2005, 5 pages.

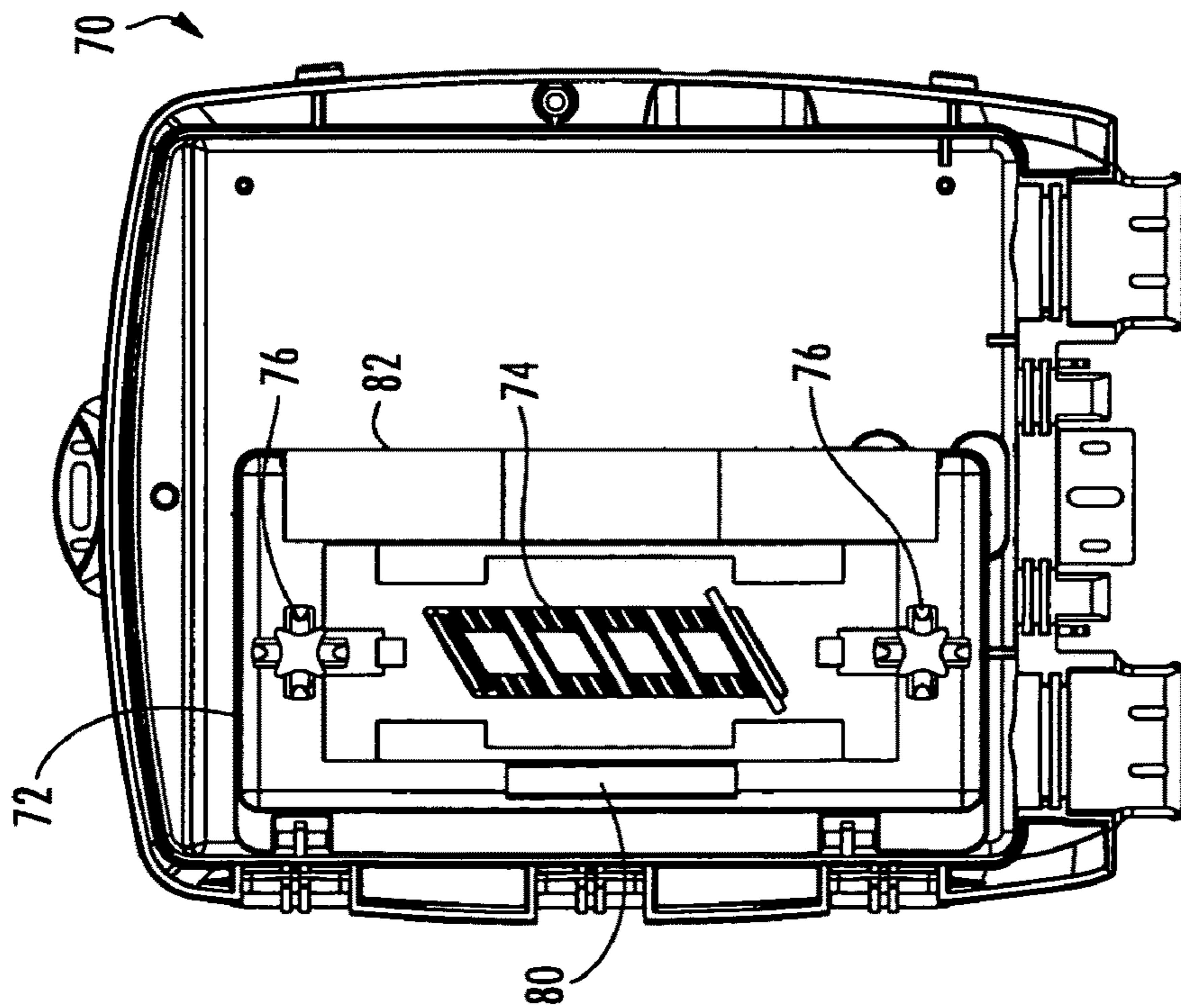
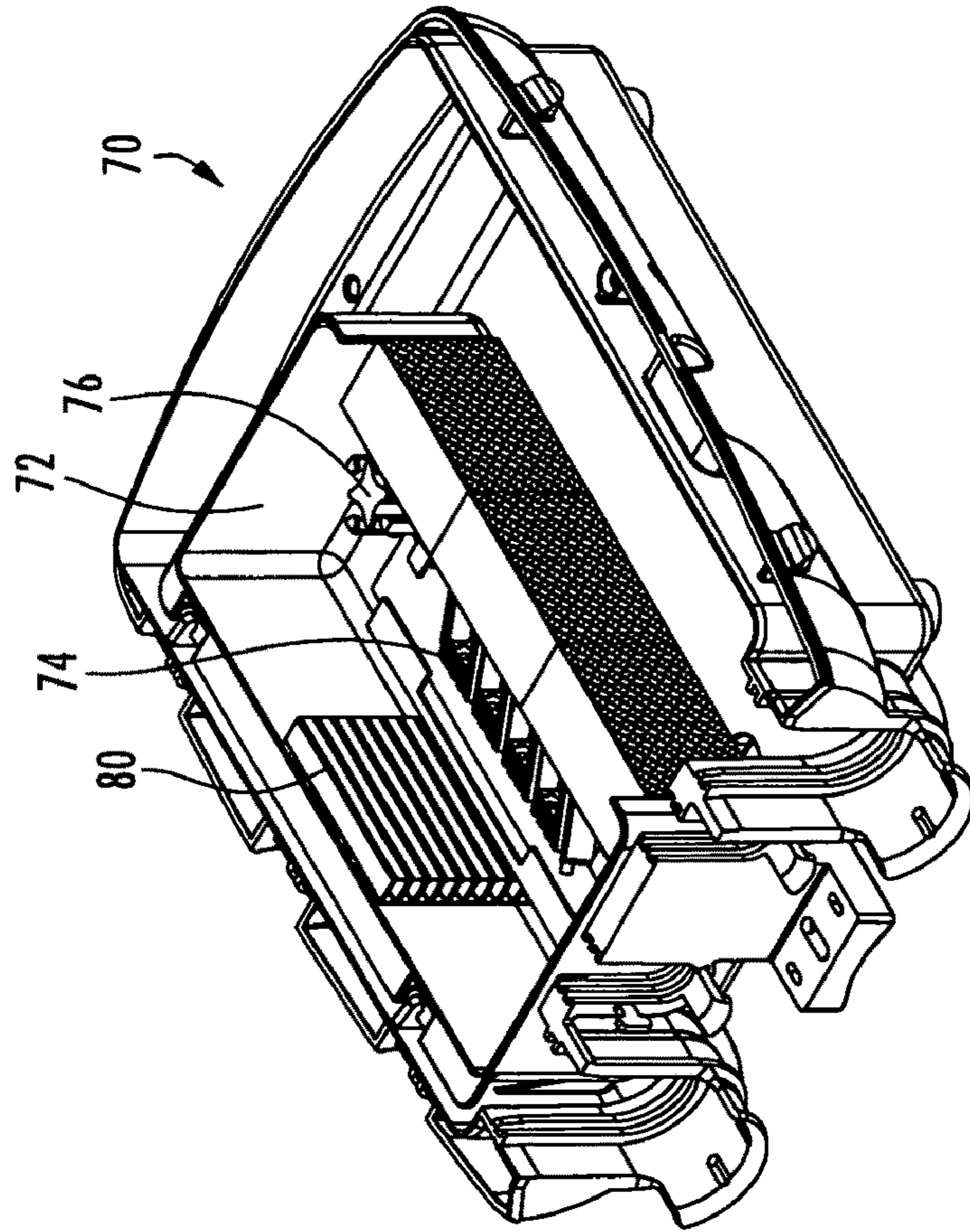
Corning Cable Systems, SRP-009-005, “Installation Instructions for the IBM Fiber Transport System-III (FTS-III),” Issue 1, Jun. 1994, 15 pages.

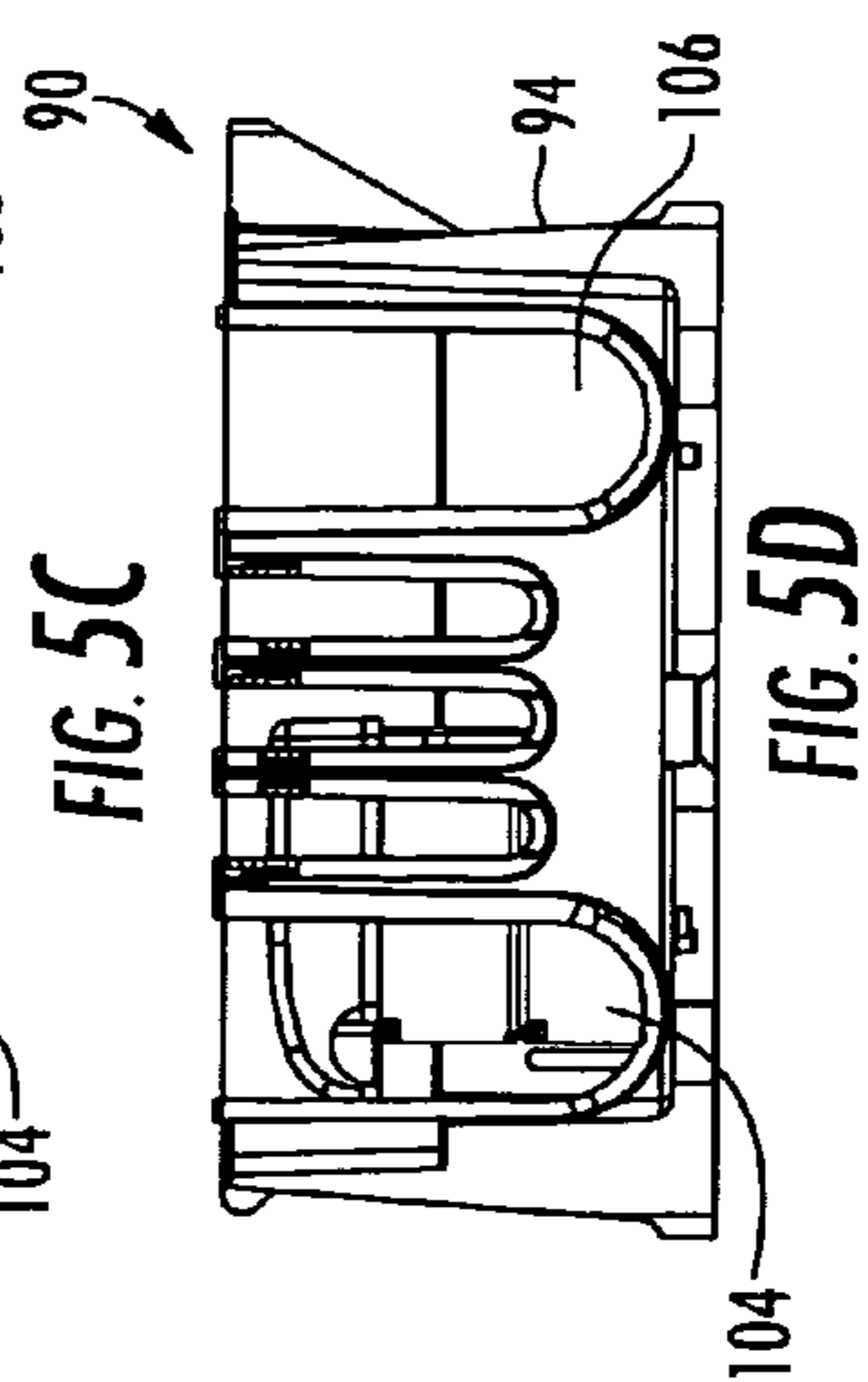
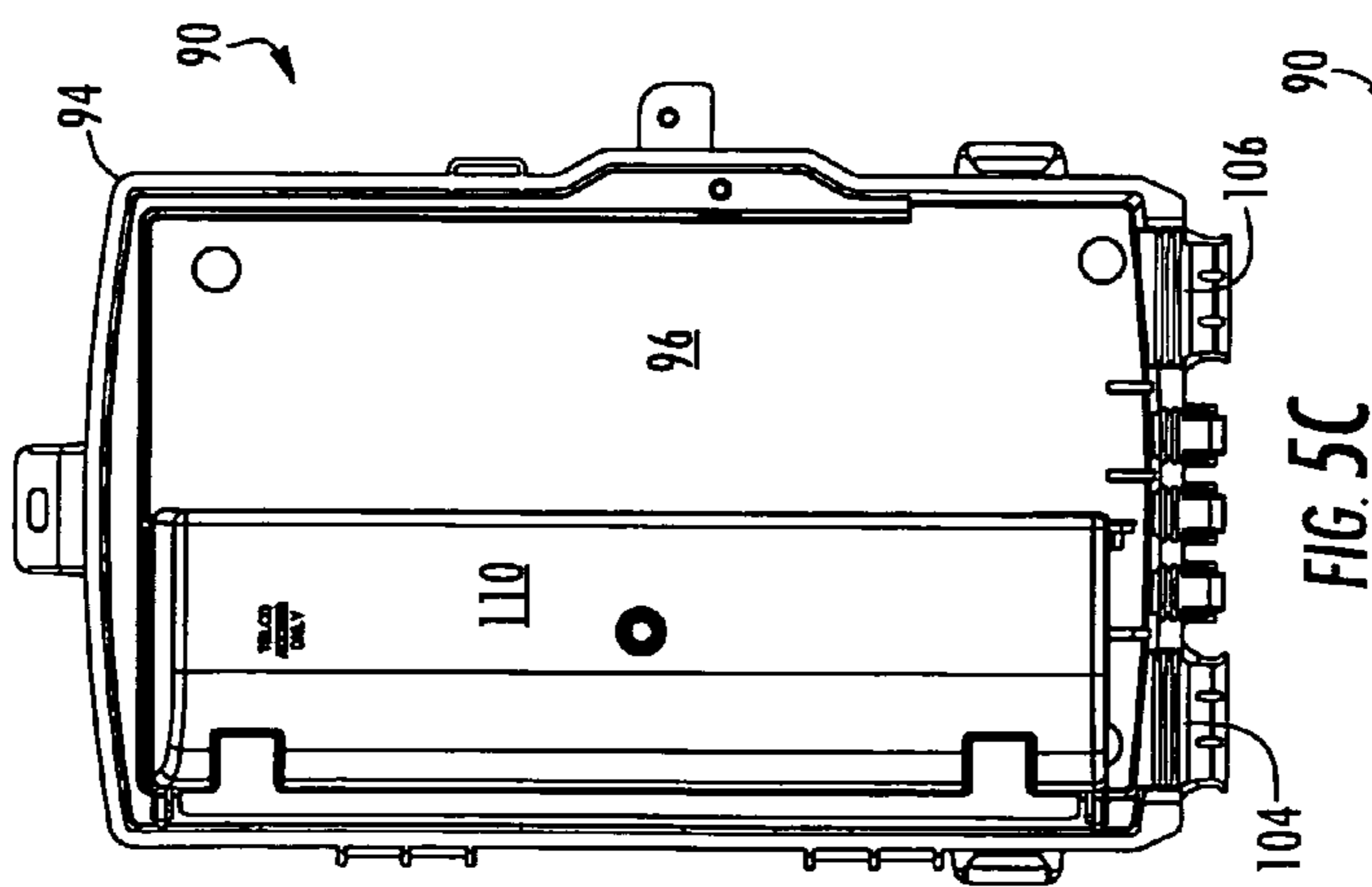
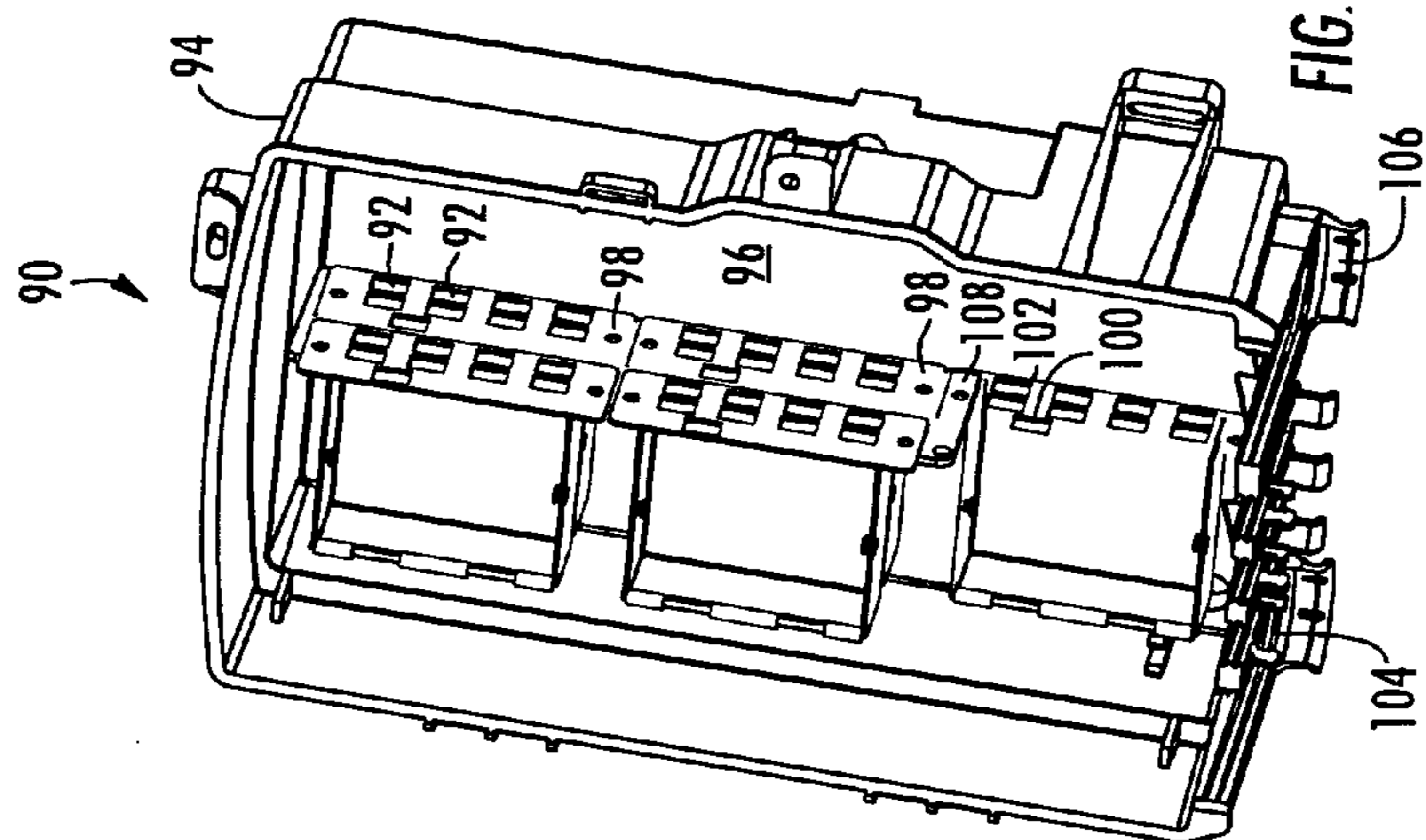
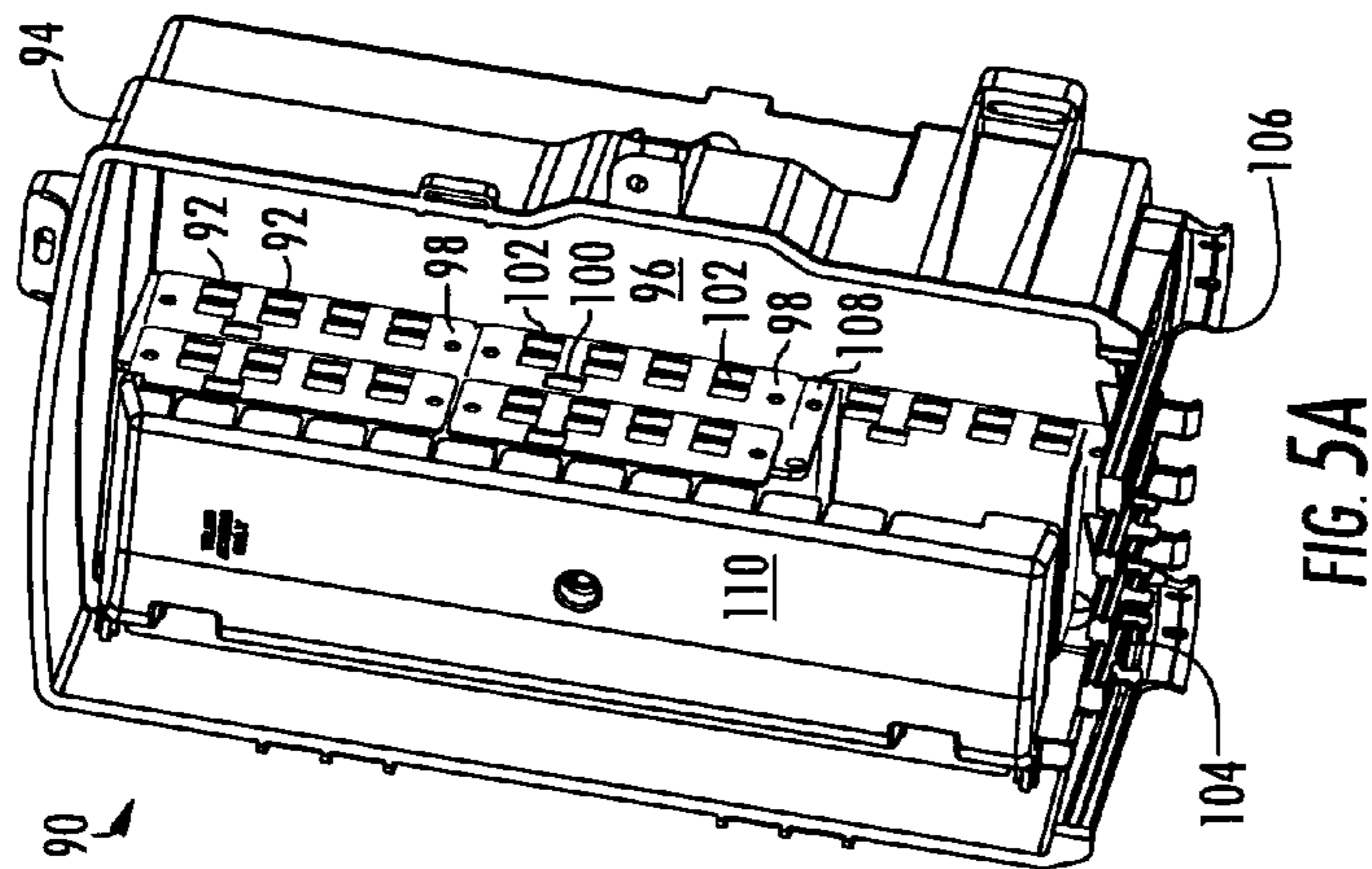
* cited by examiner











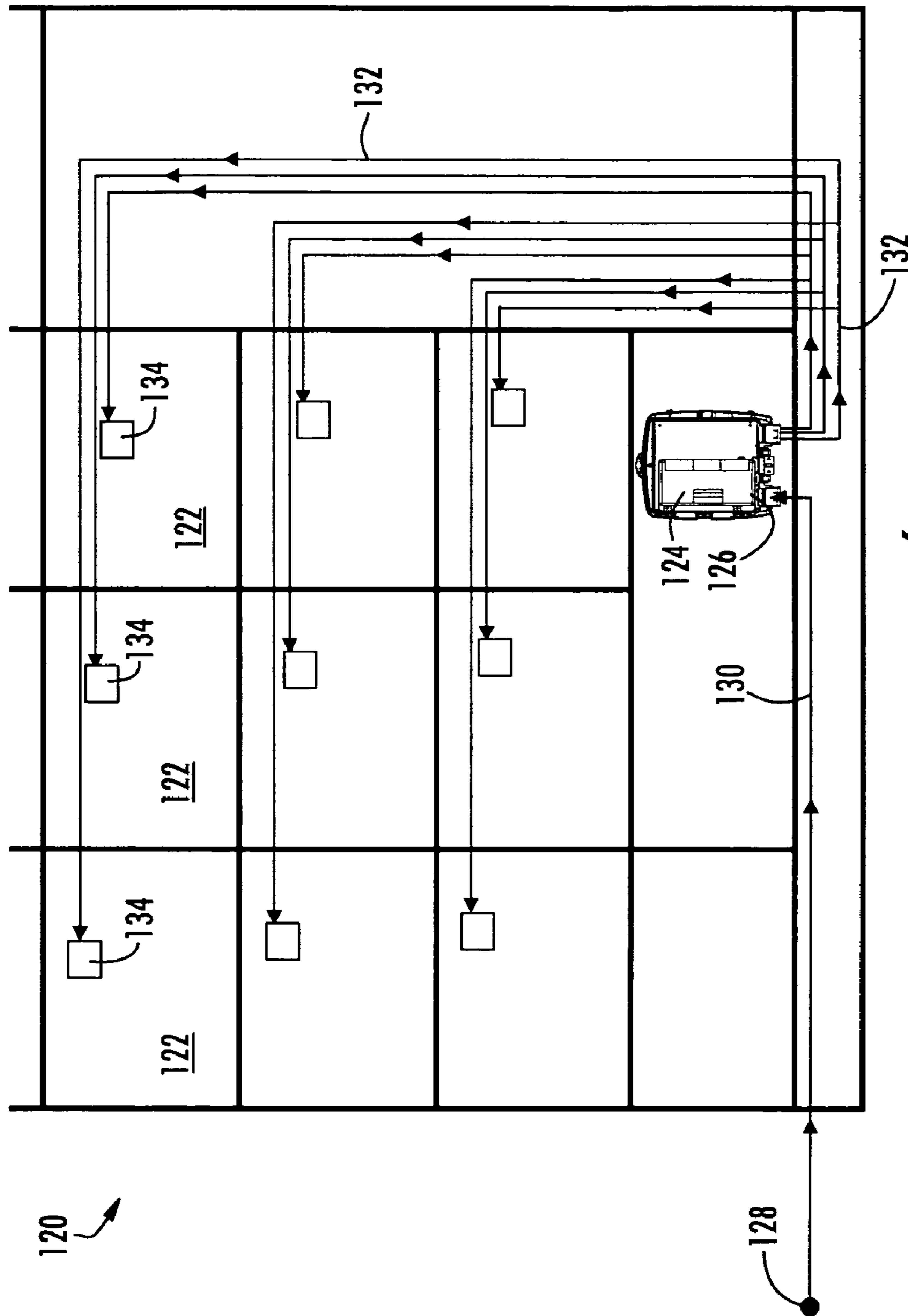
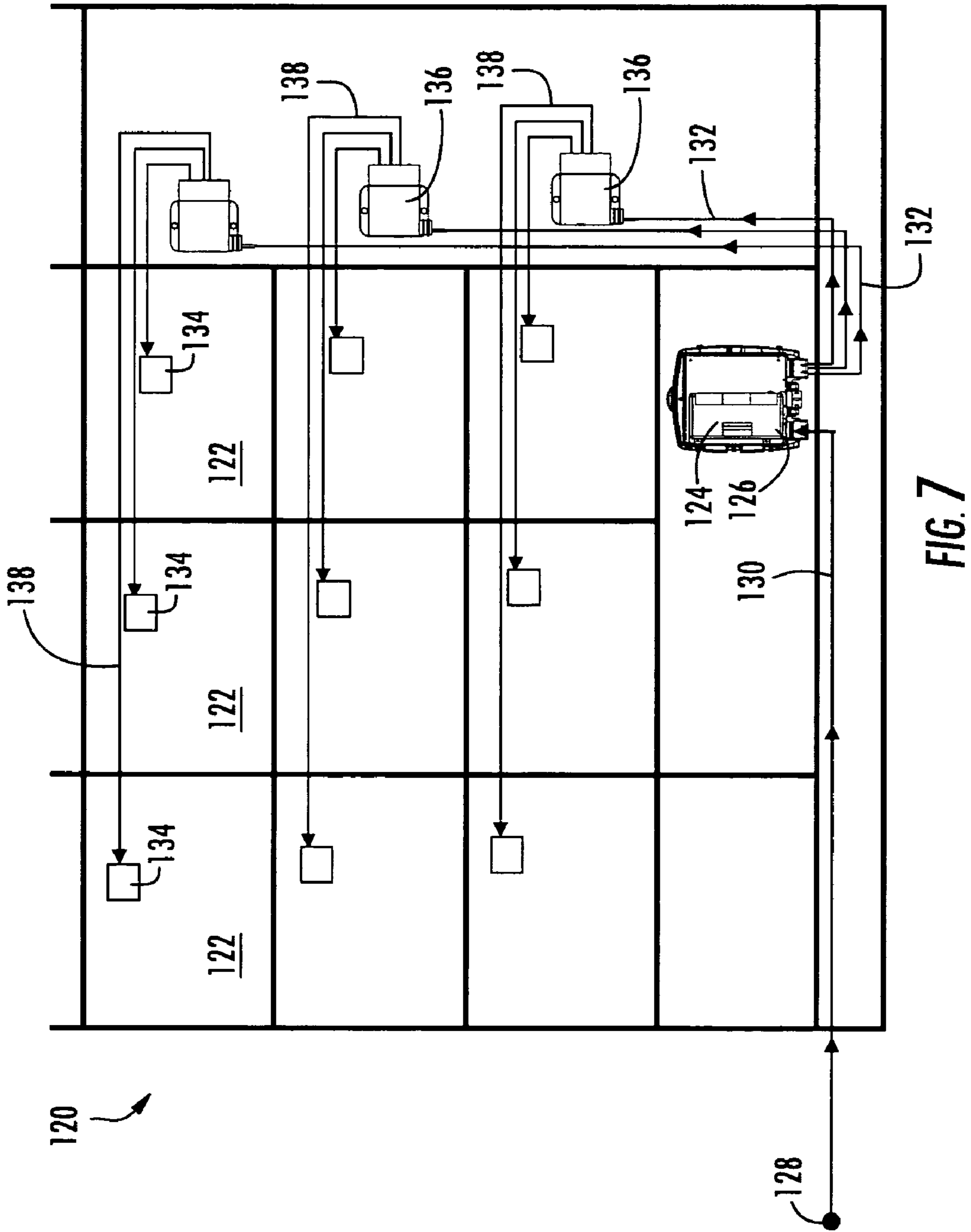


FIG. 6



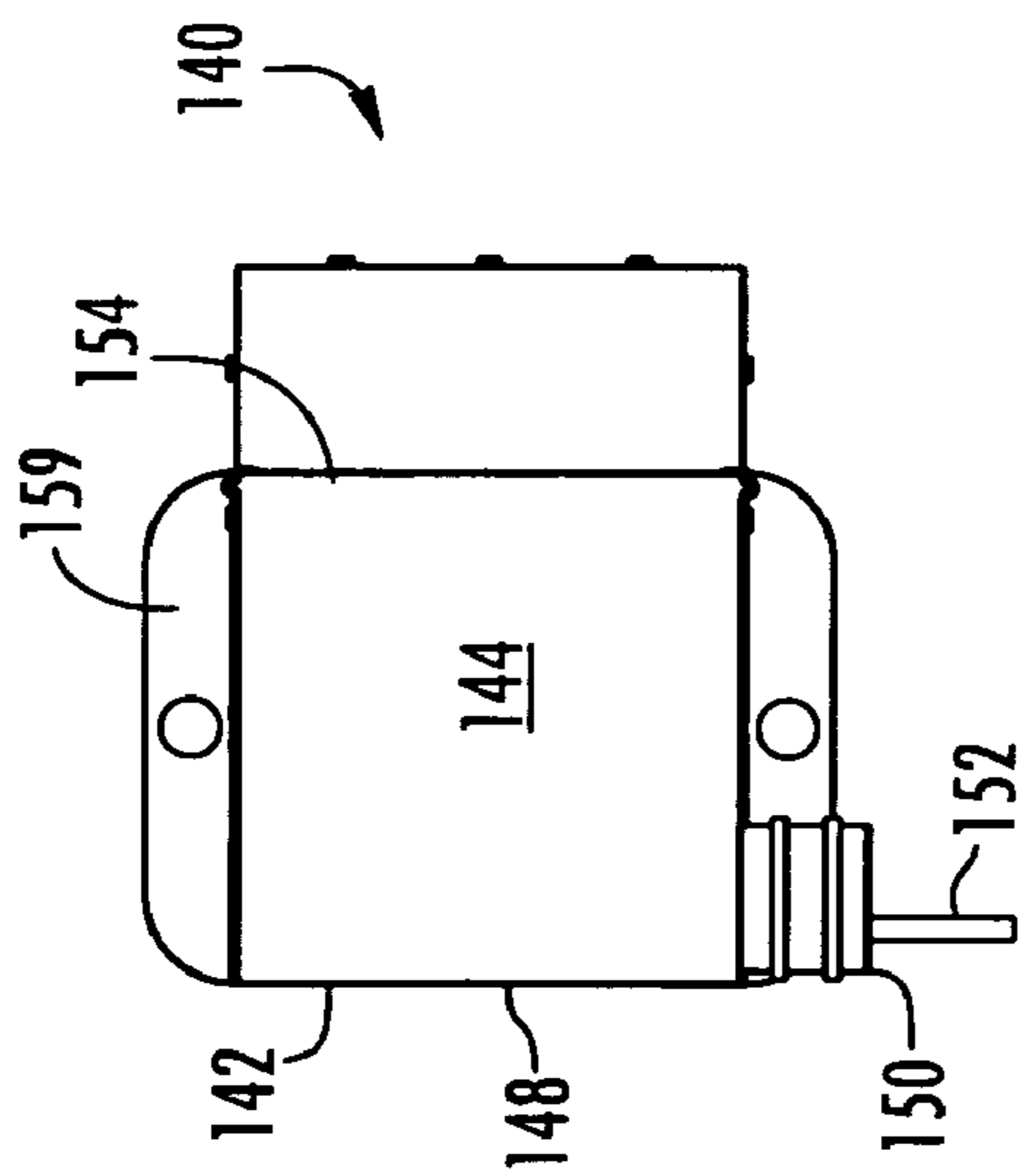


FIG. 8C

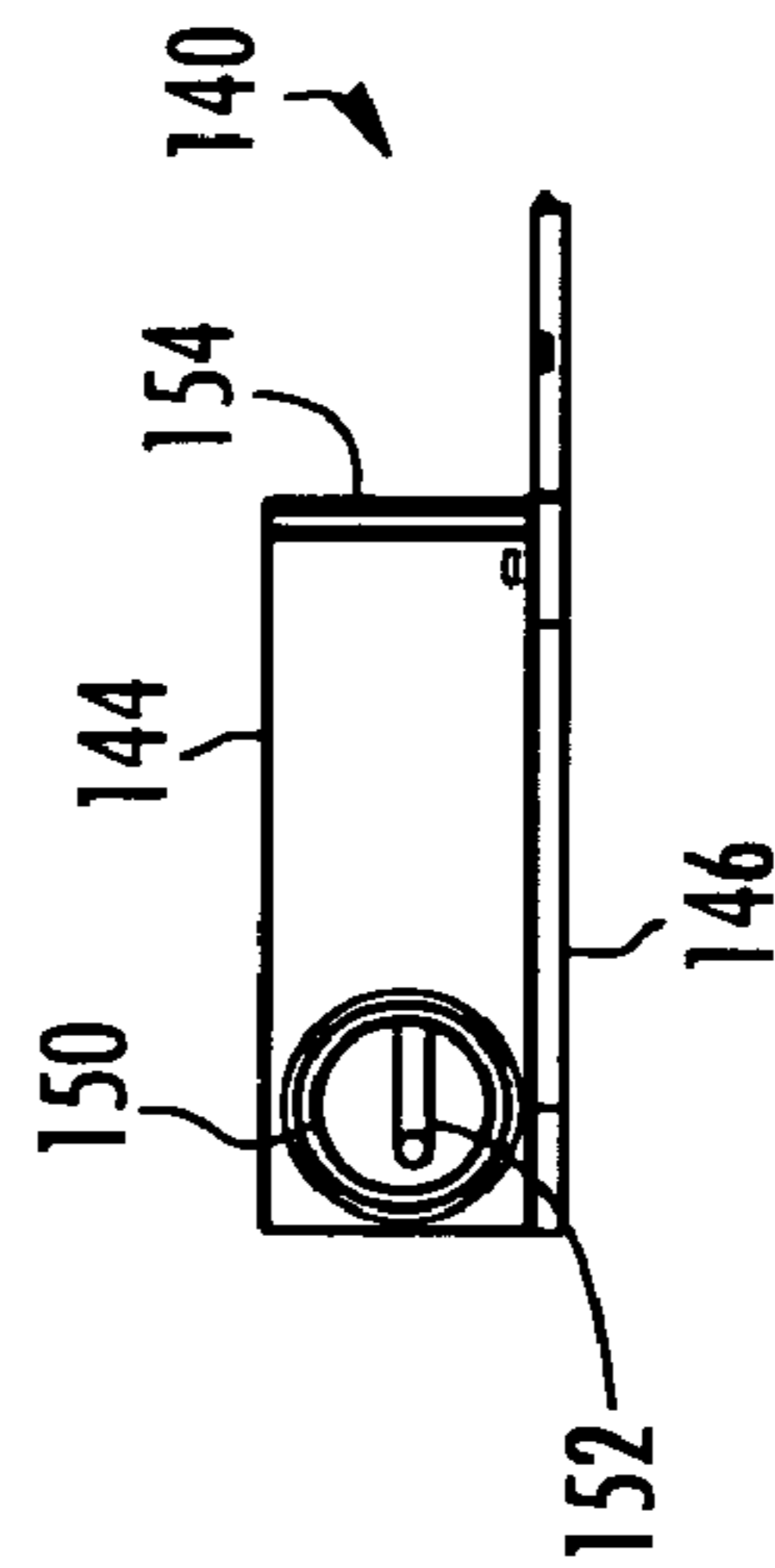


FIG. 8D

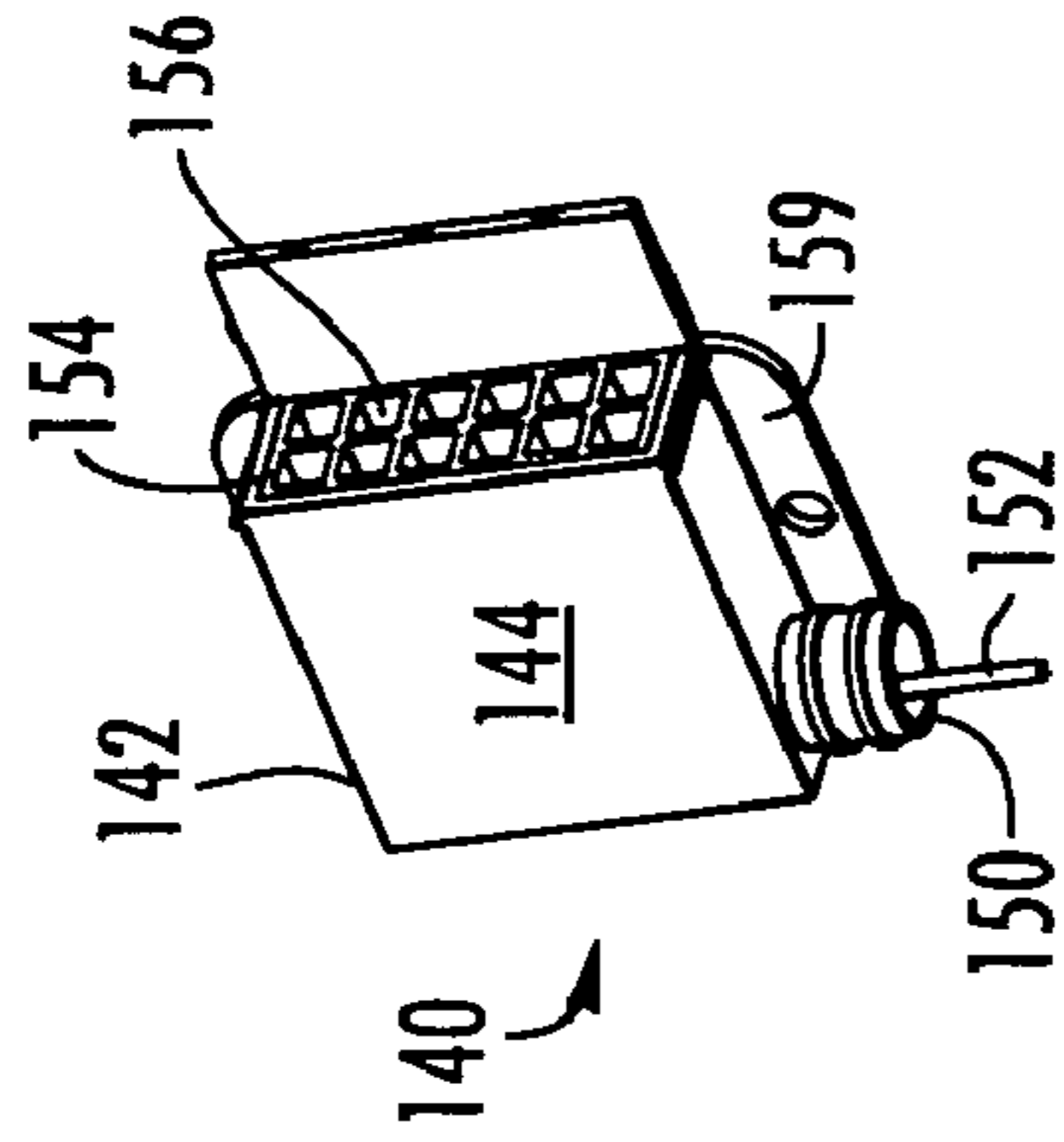


FIG. 8A

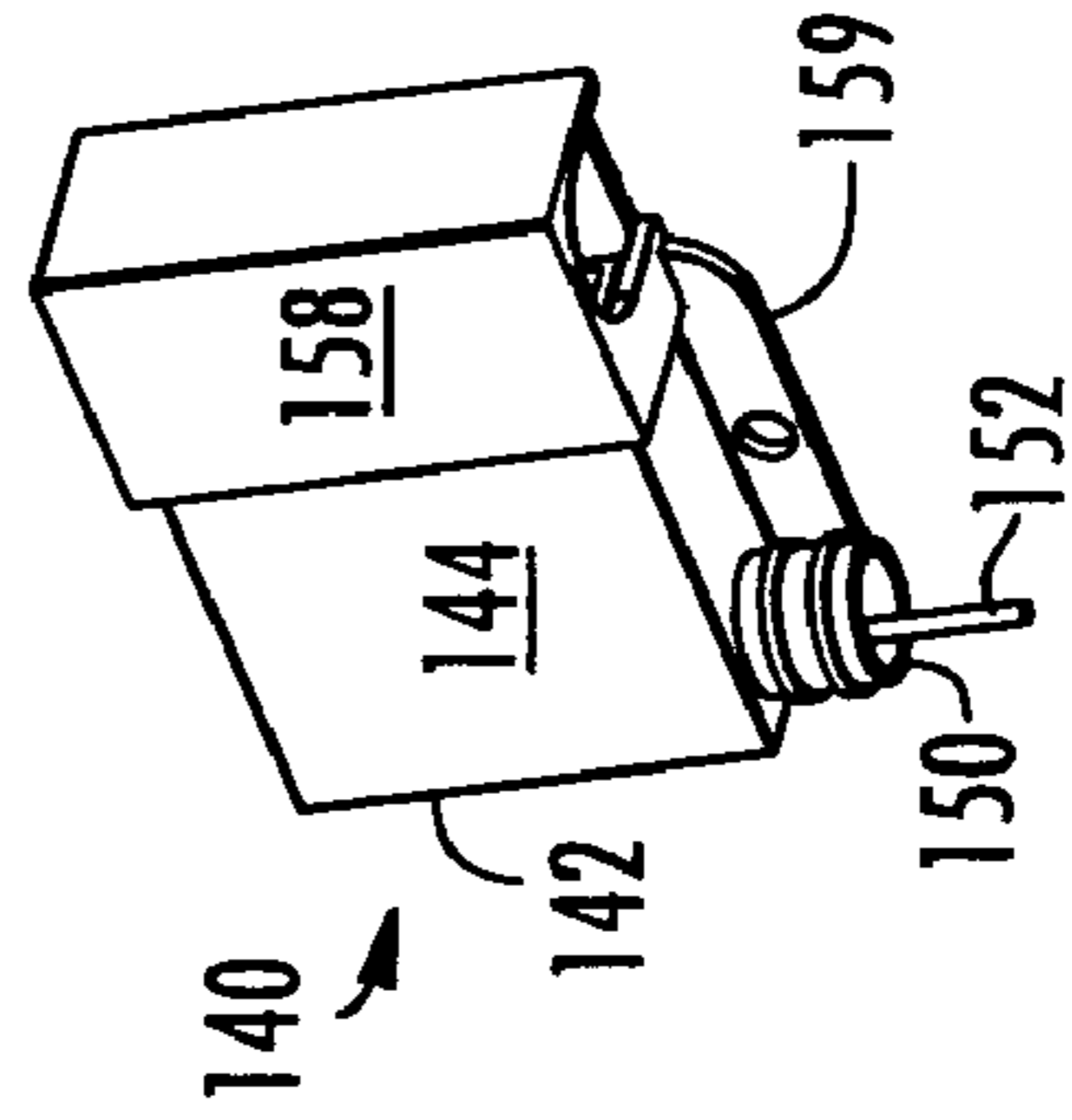


FIG. 8B

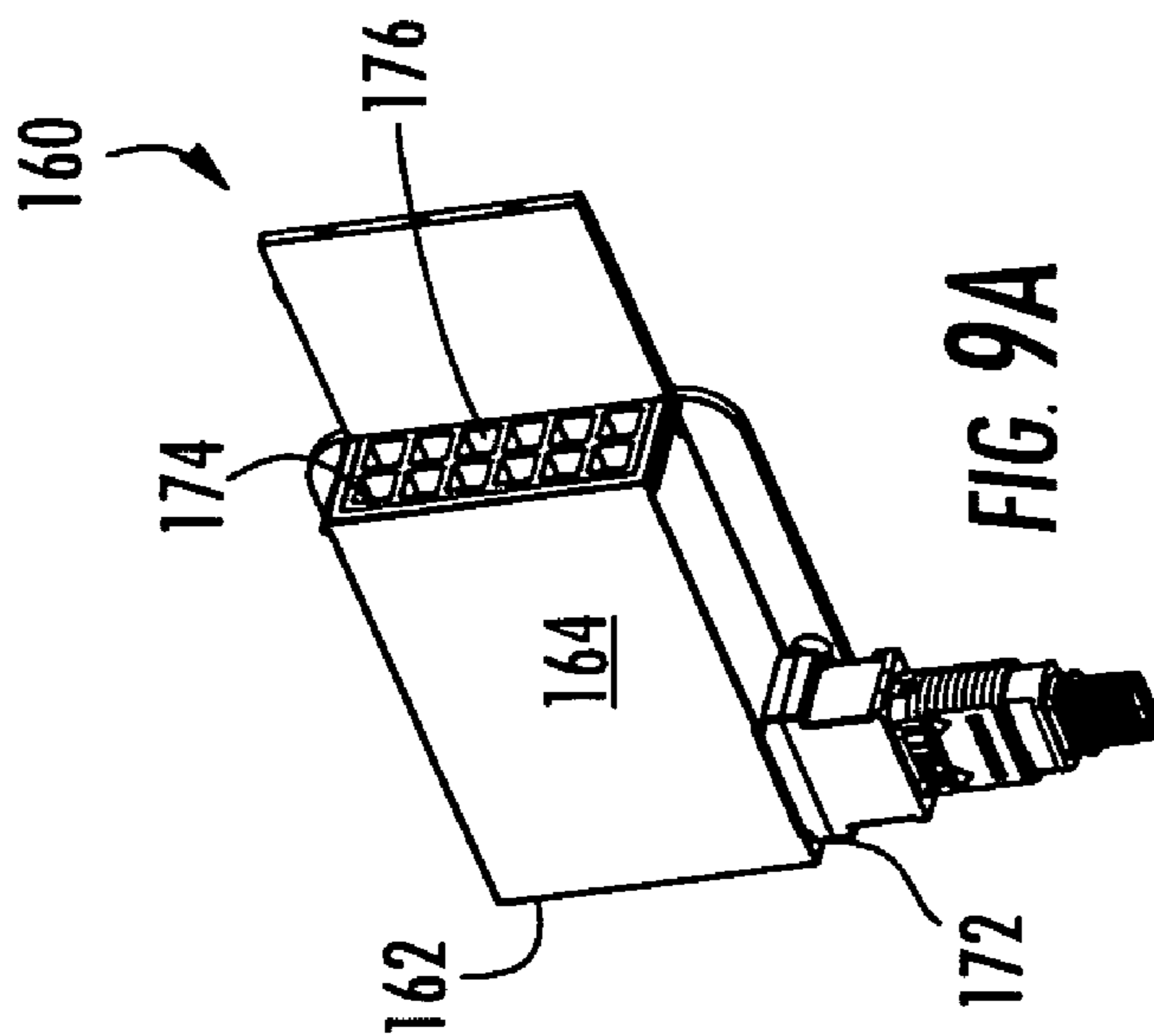


FIG. 9A

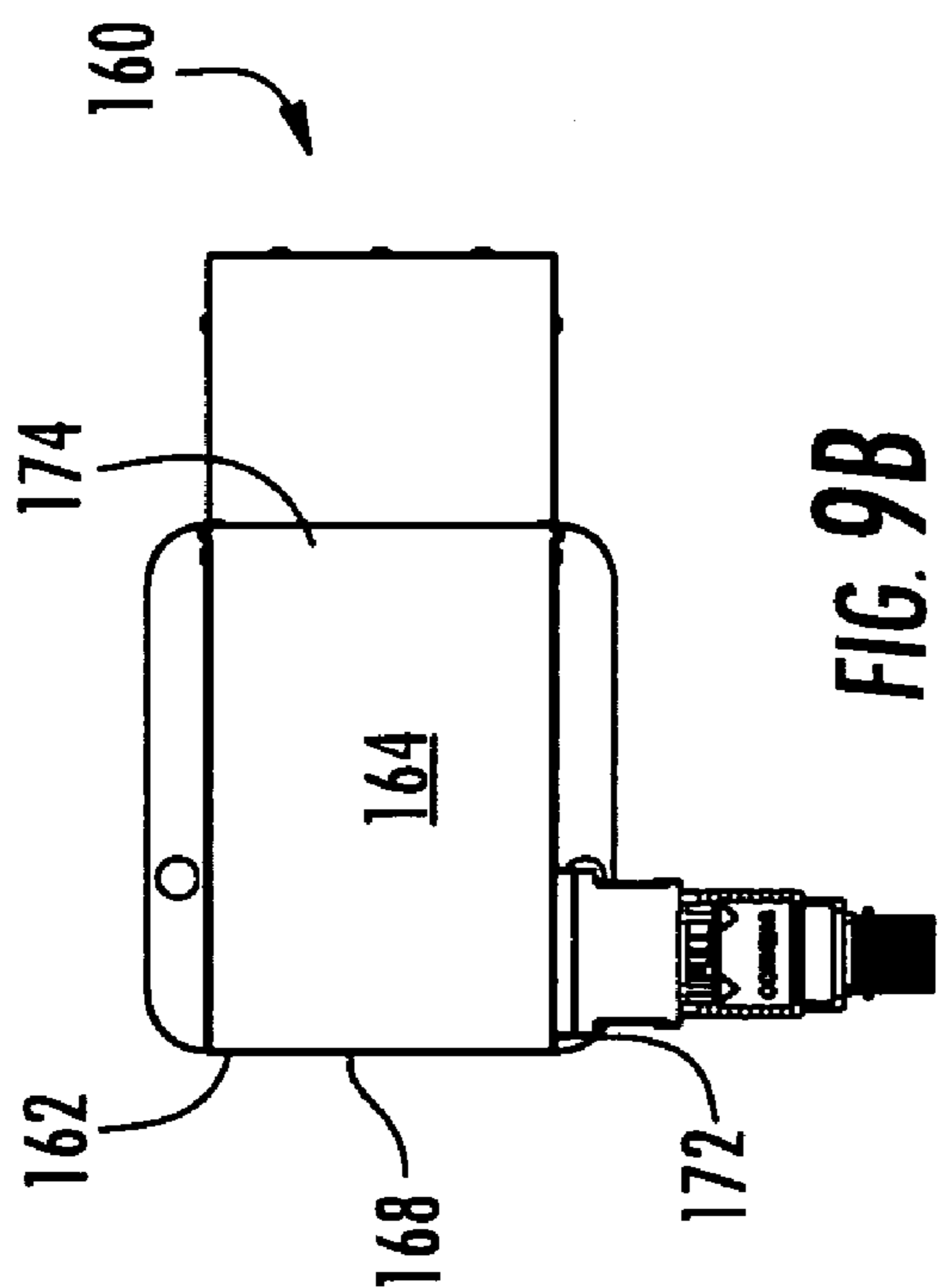


FIG. 9B

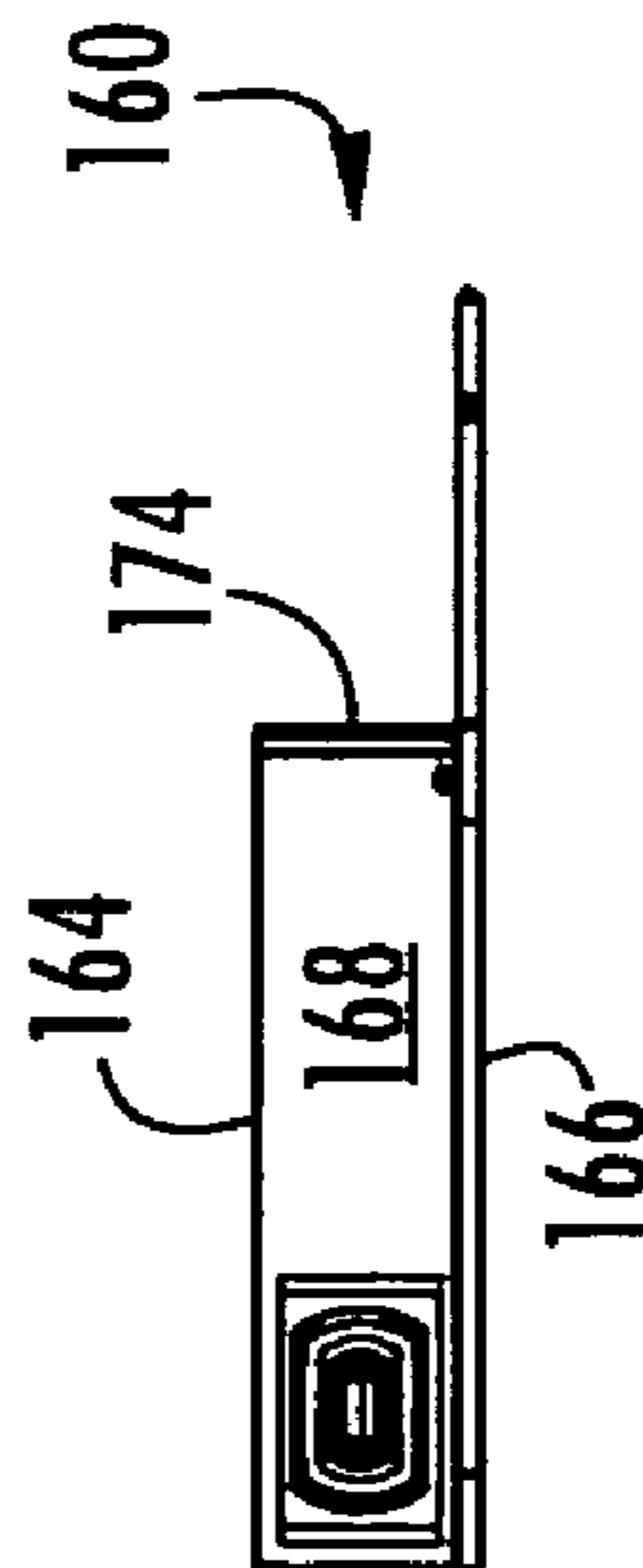
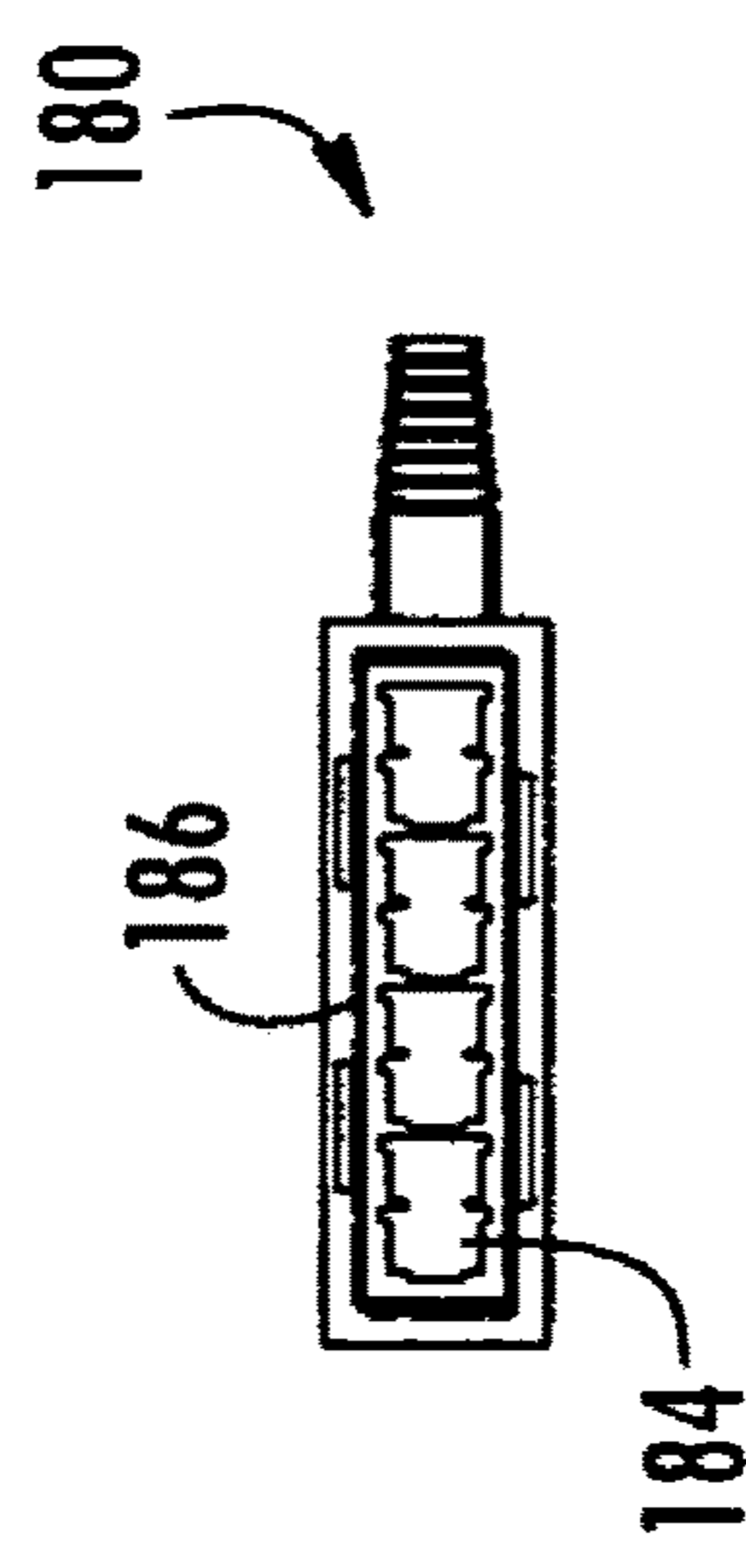
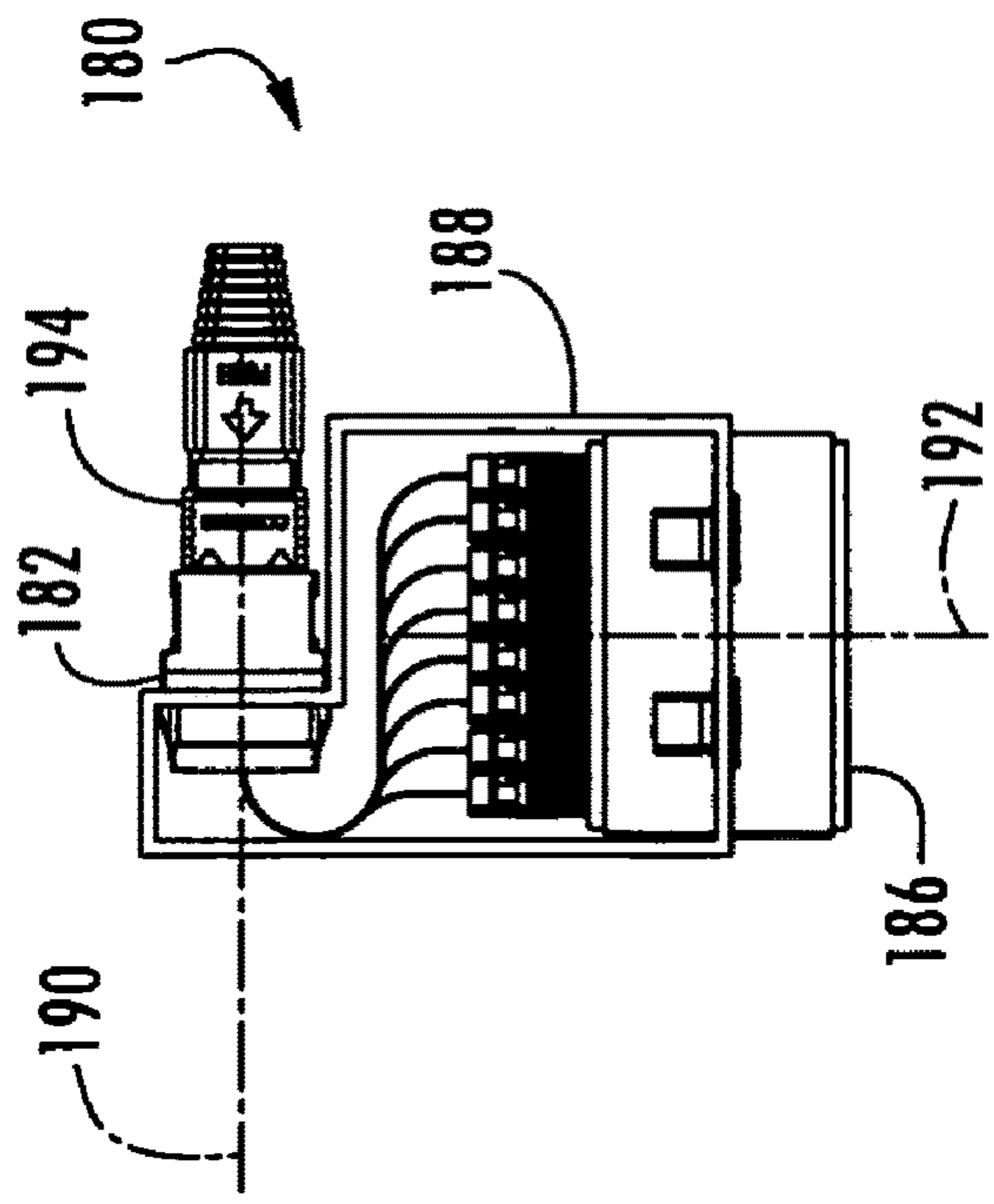
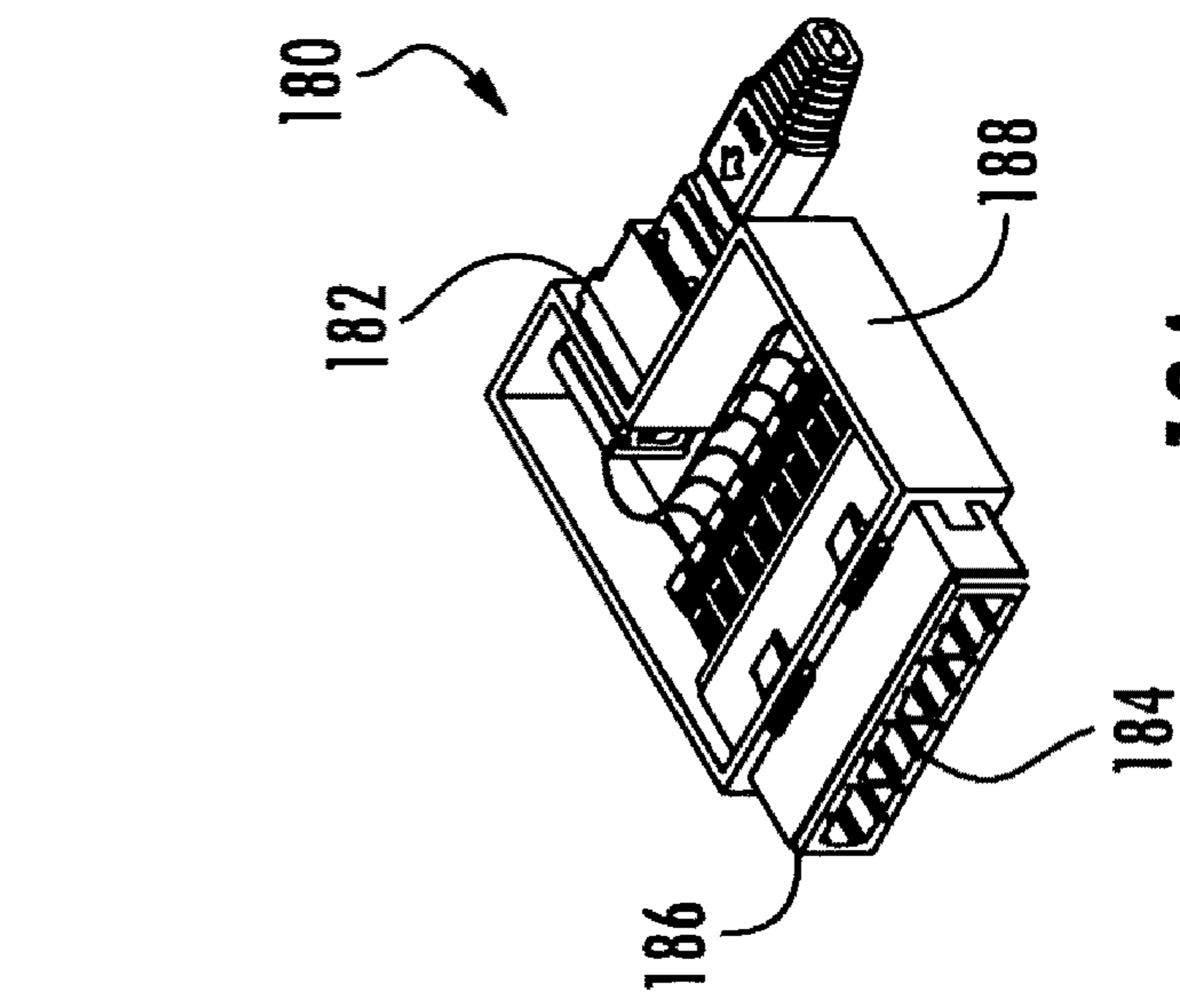


FIG. 9C



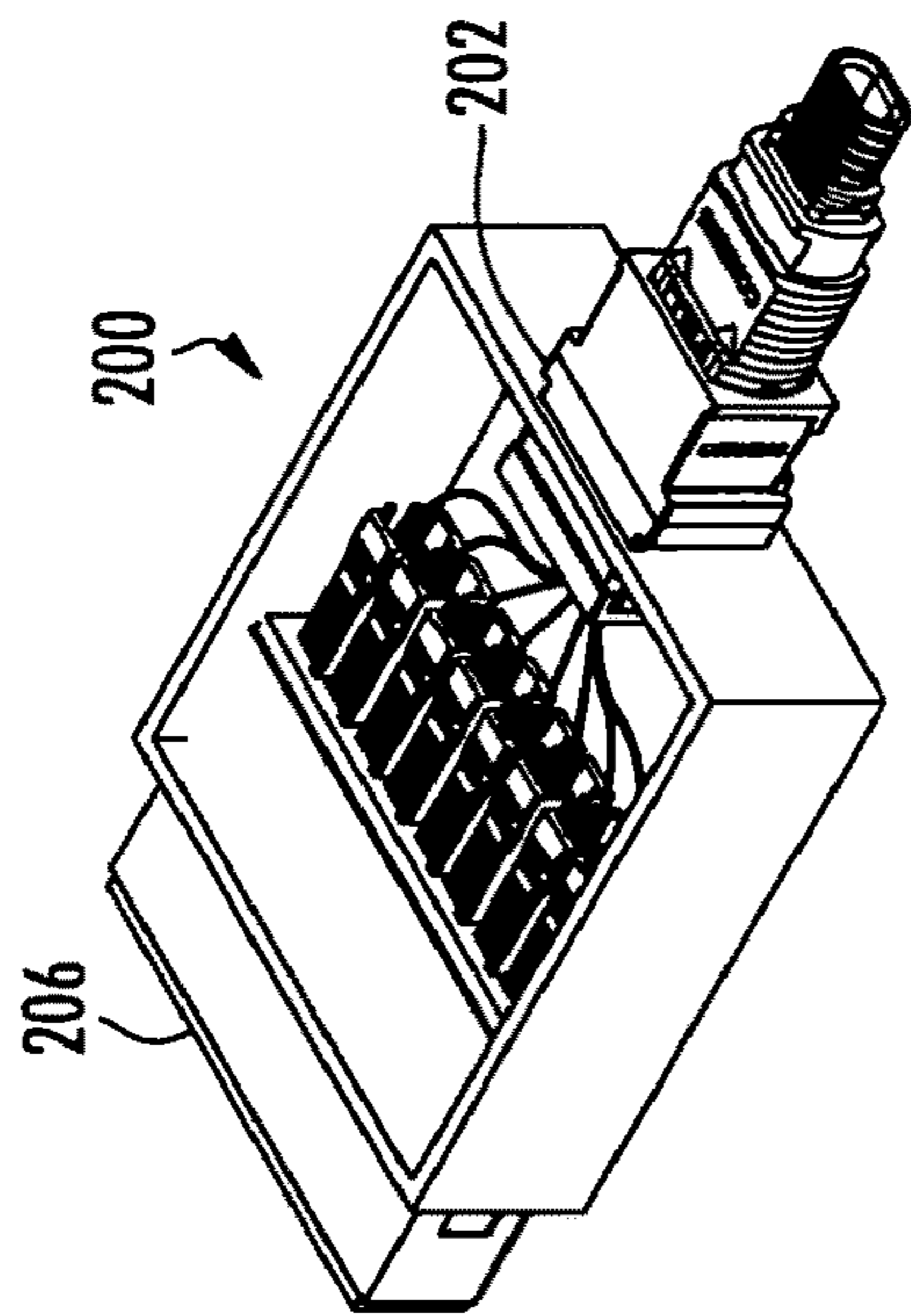


FIG. 11A

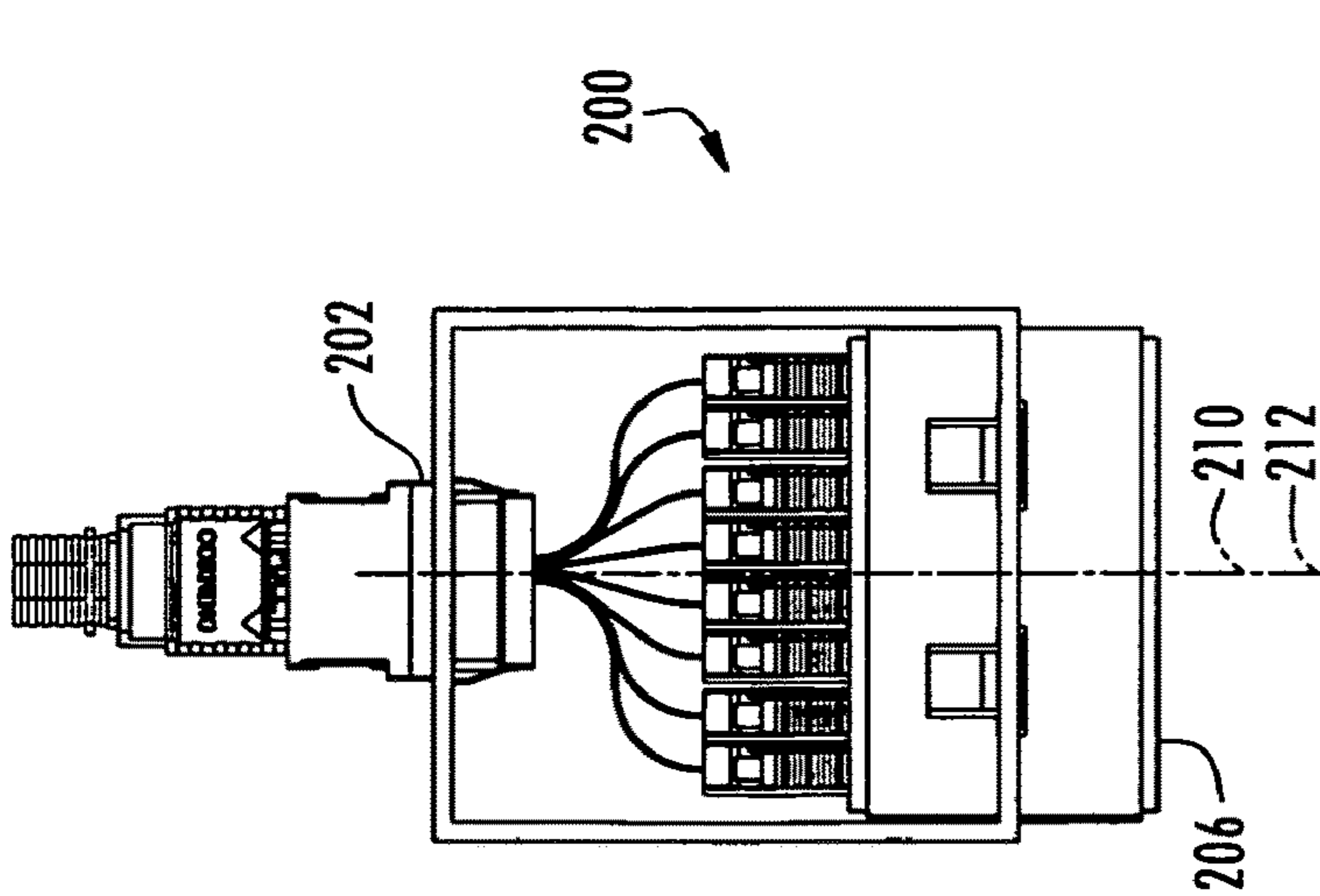


FIG. 11B

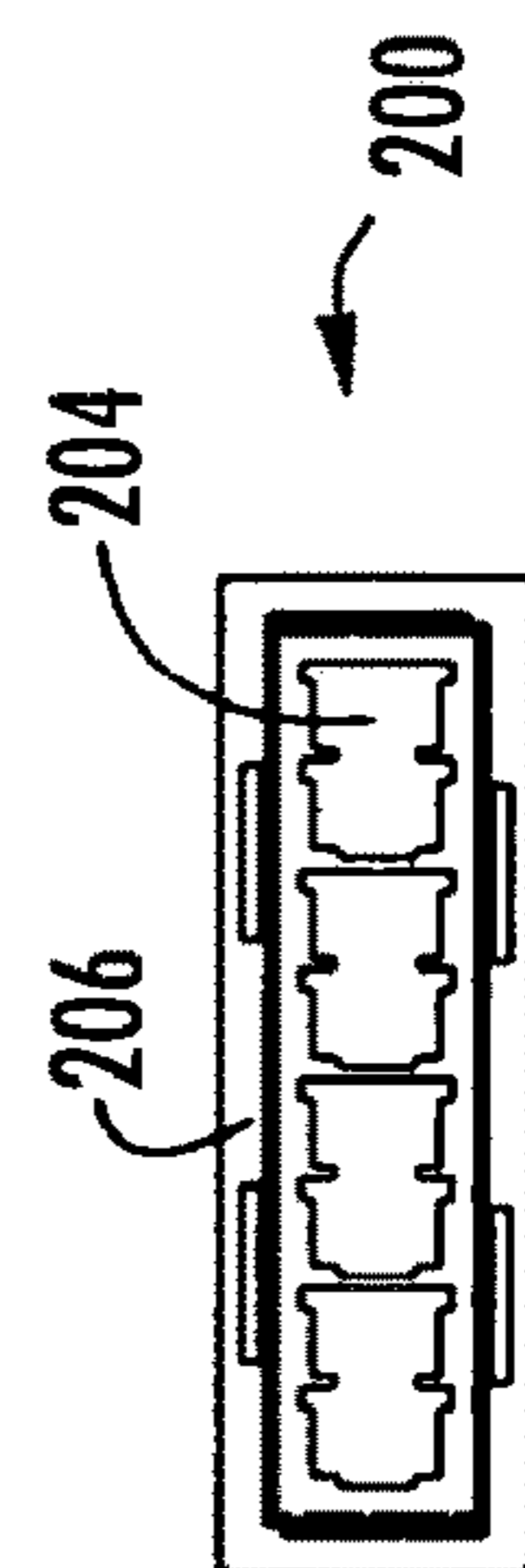


FIG. 11C

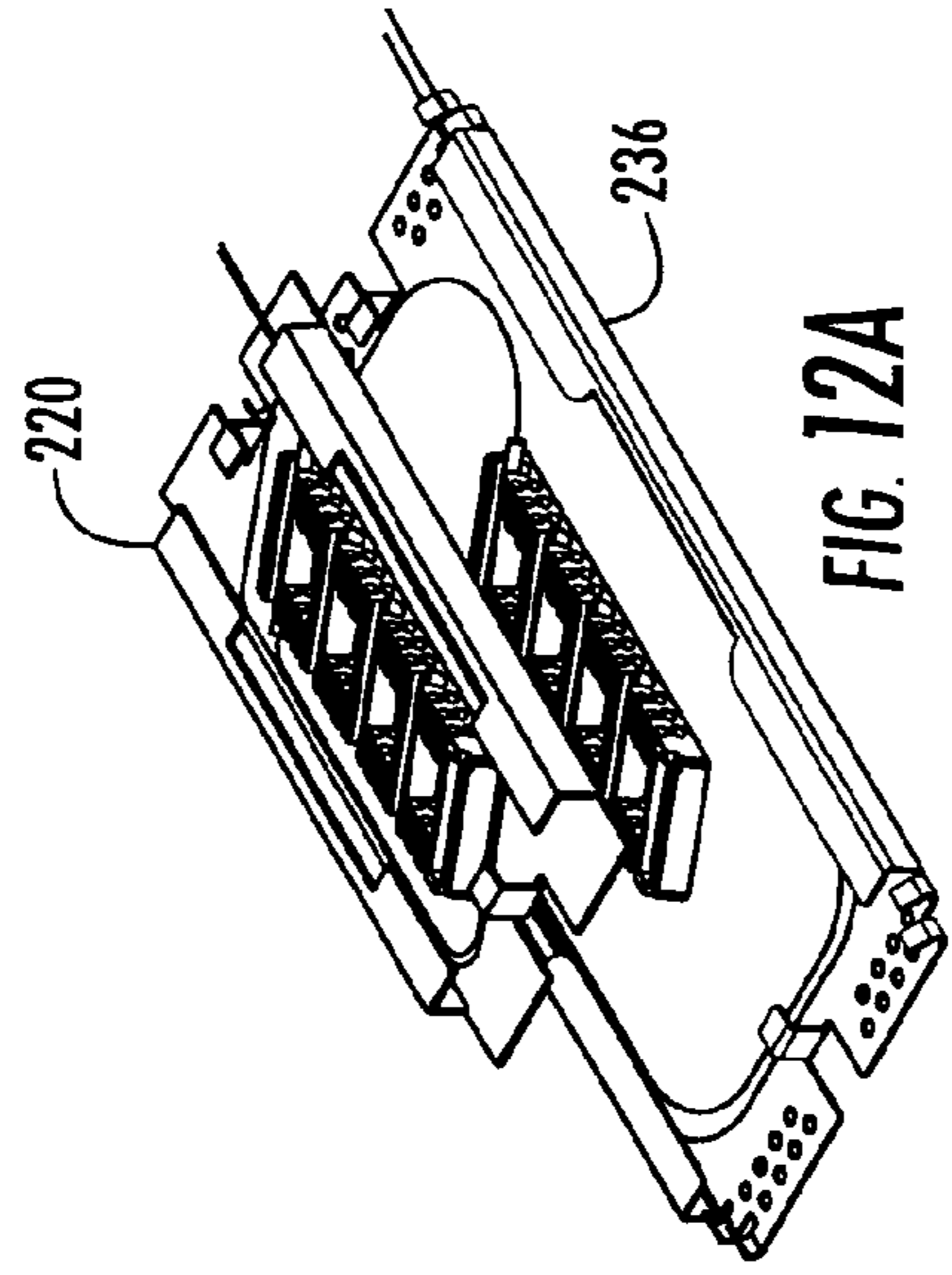
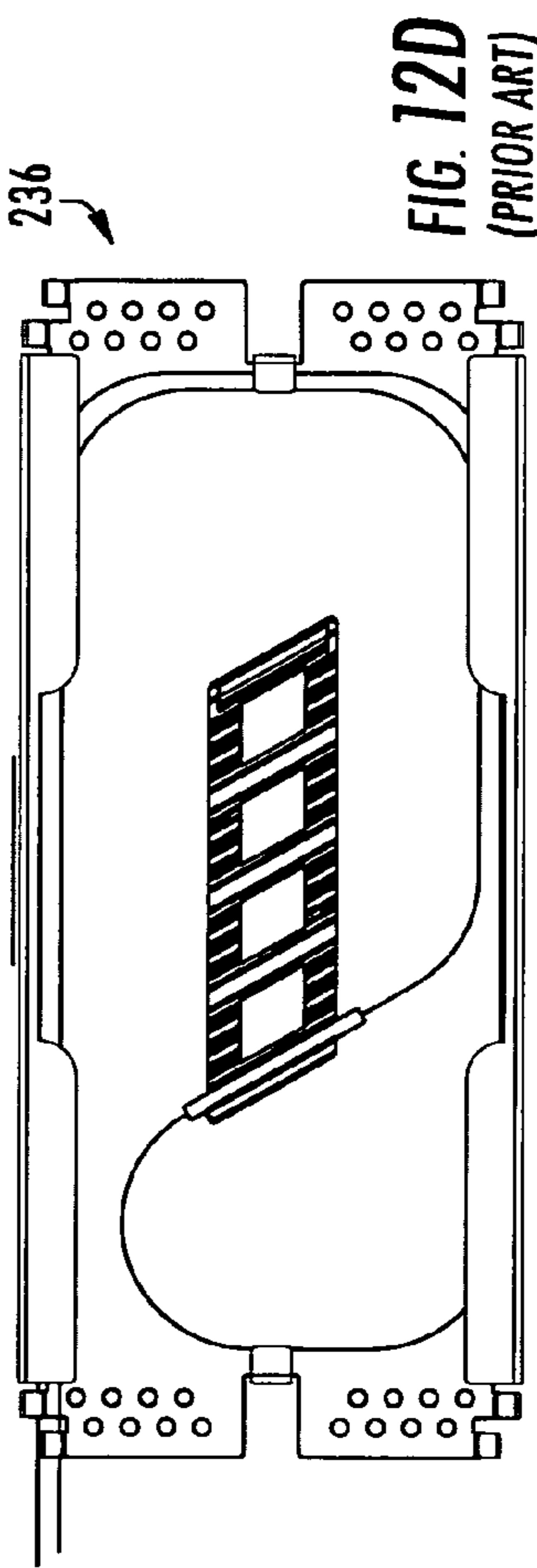
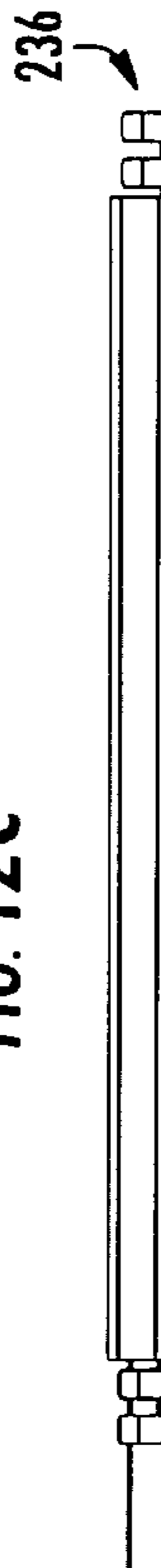
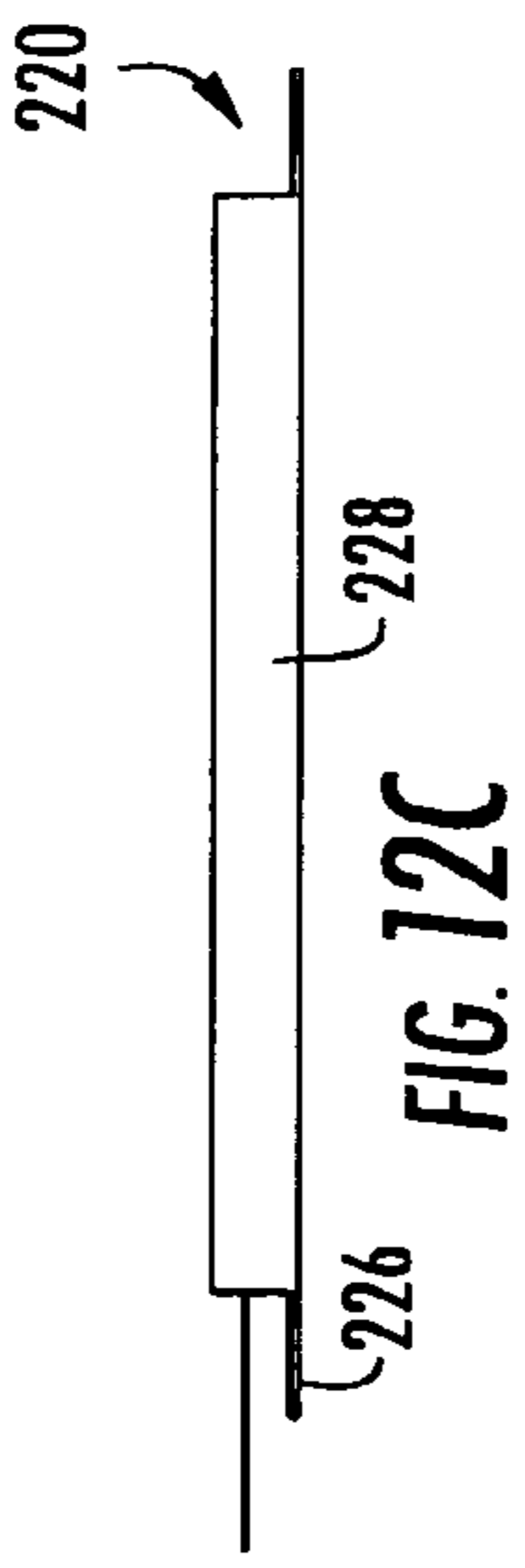
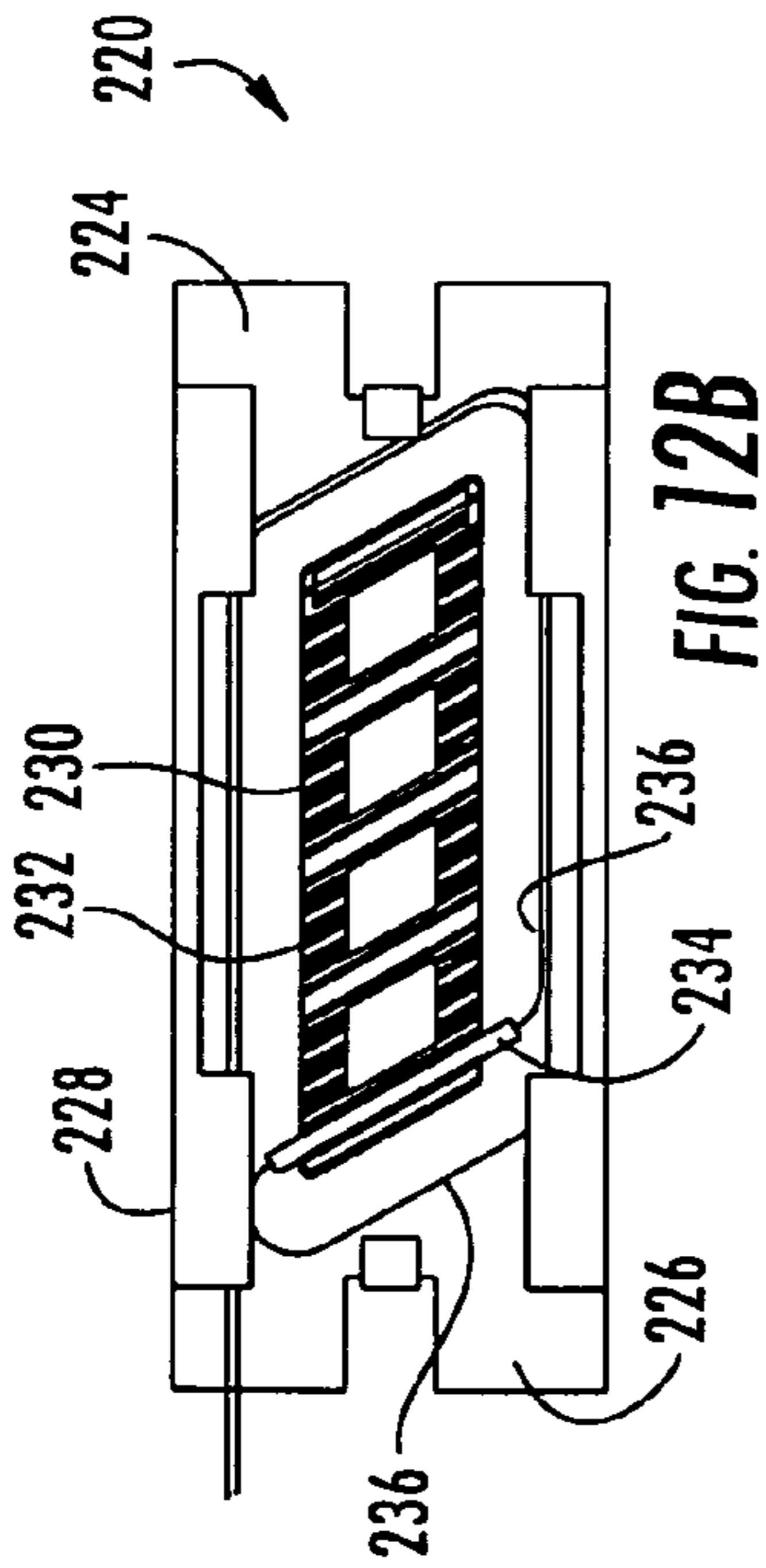


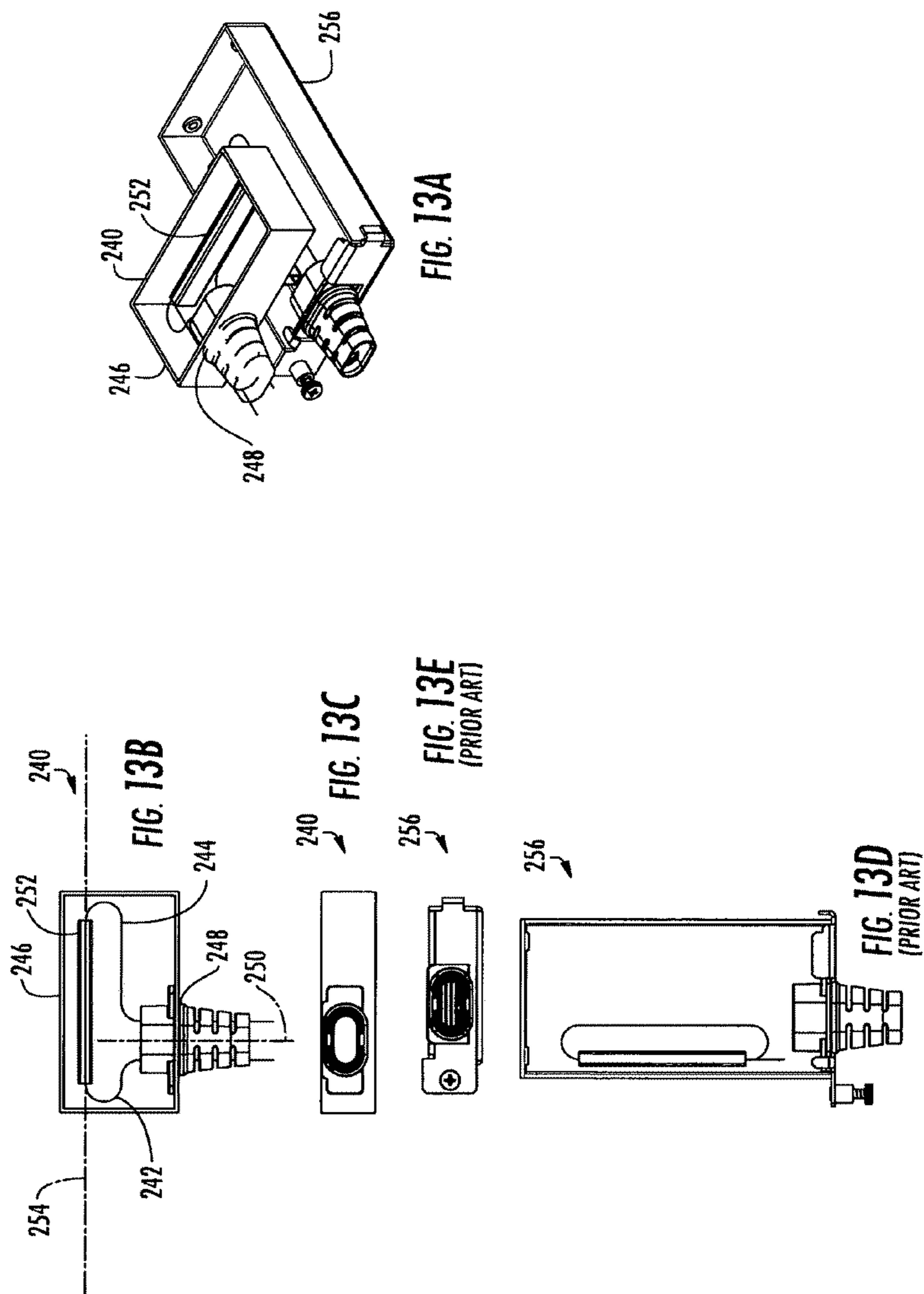
FIG. 12A

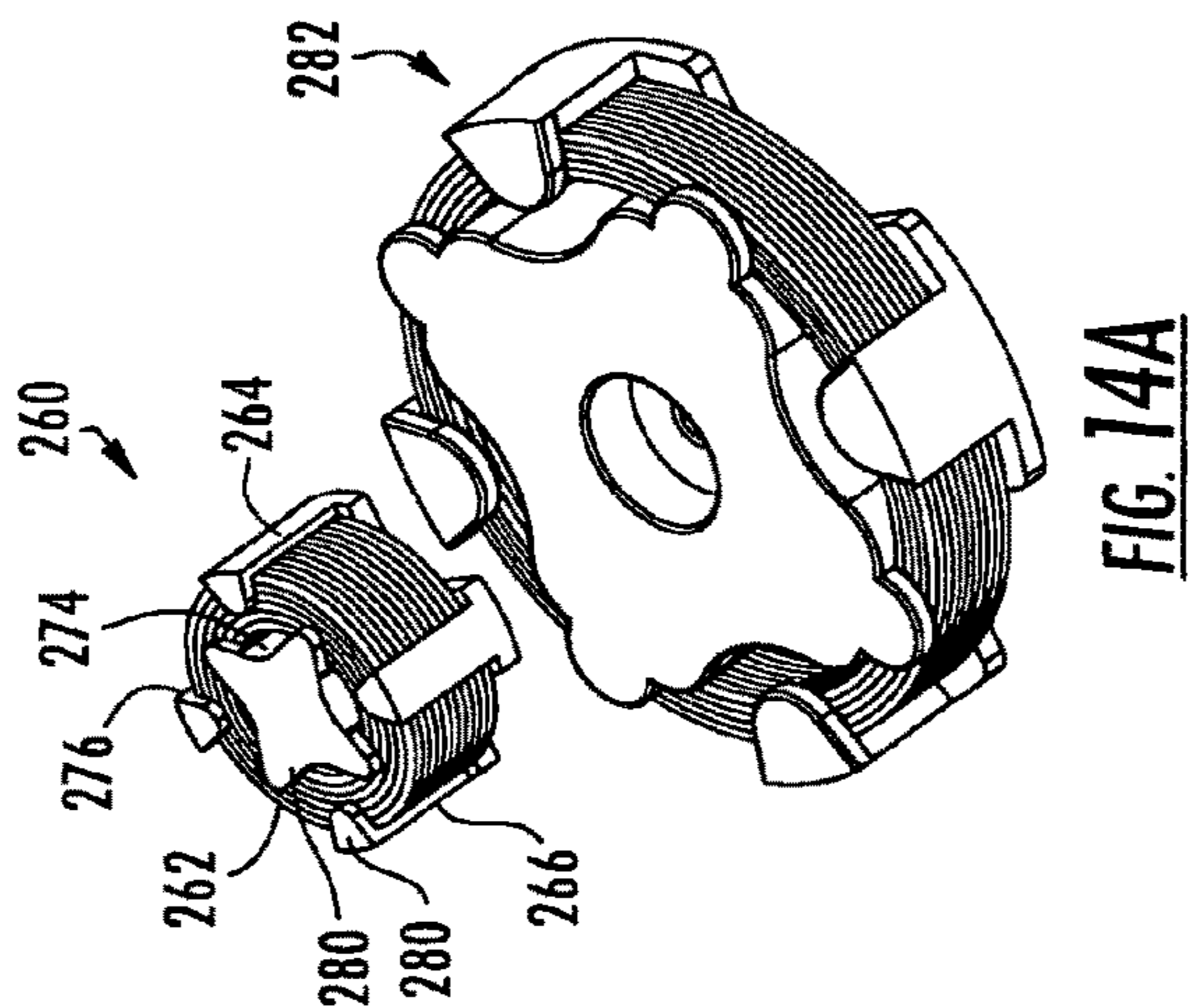
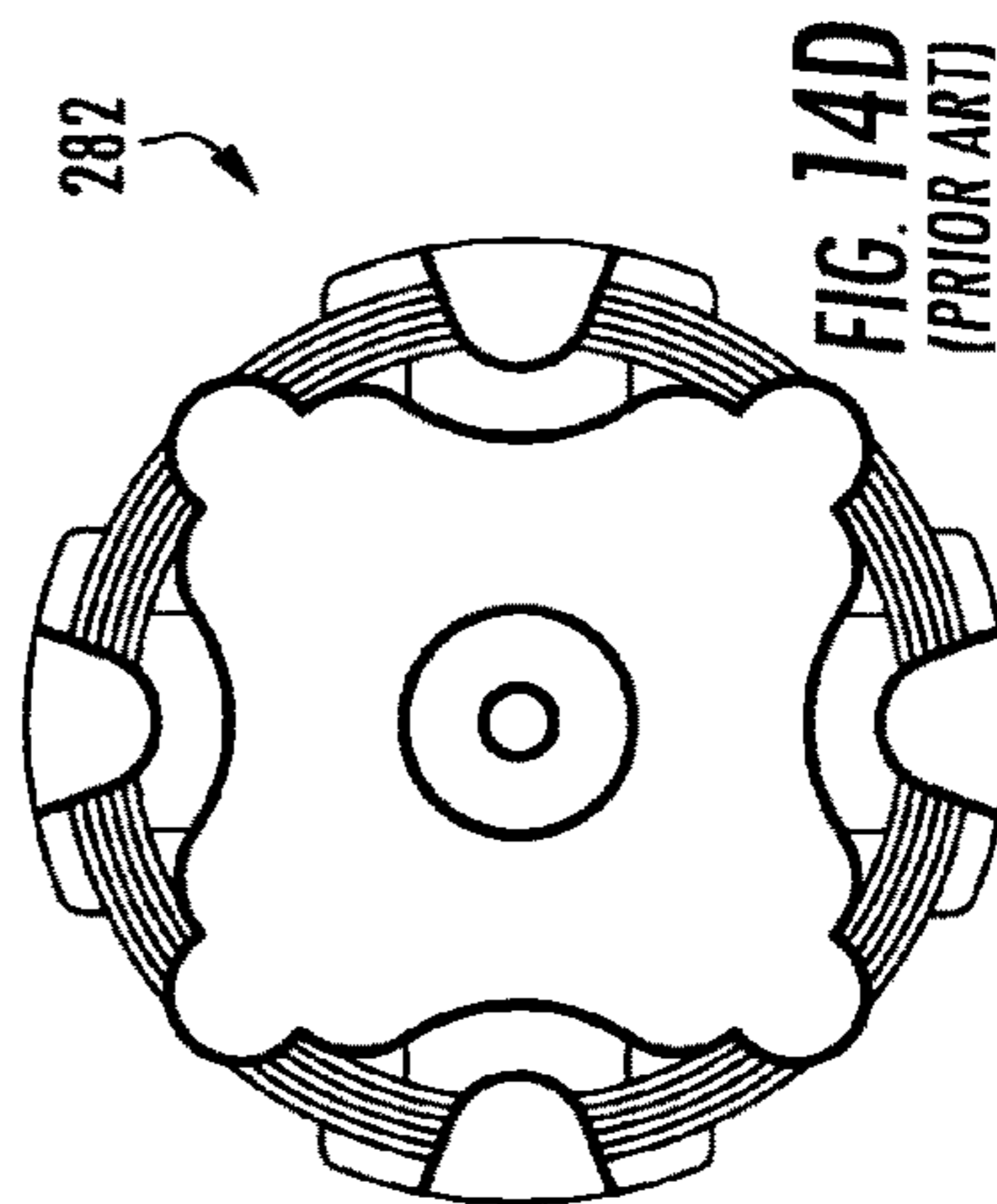
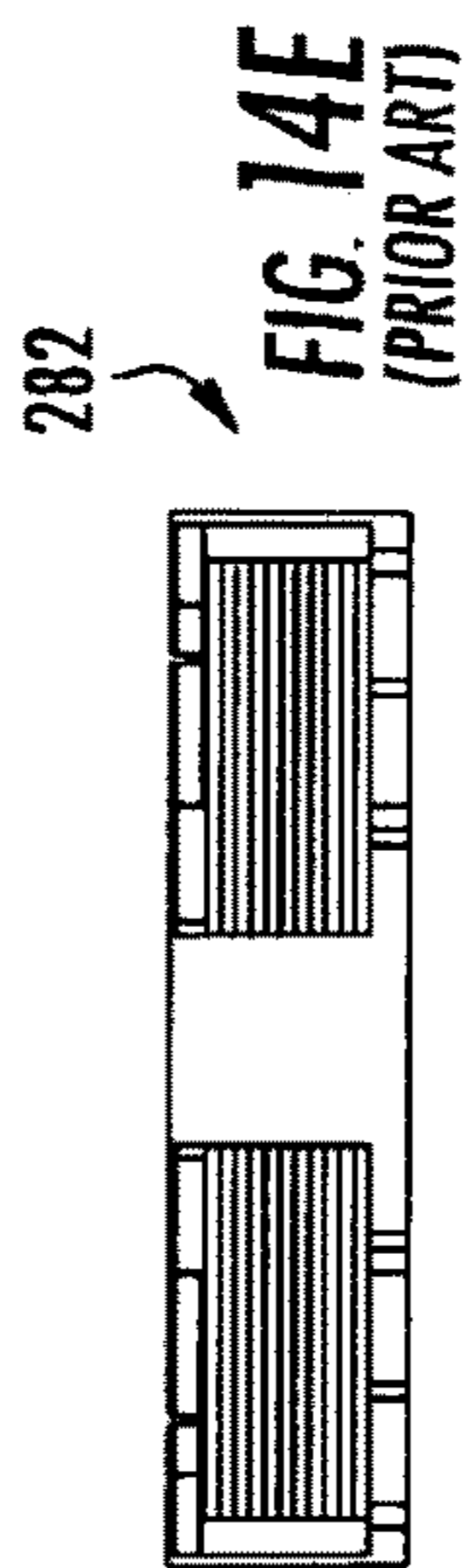
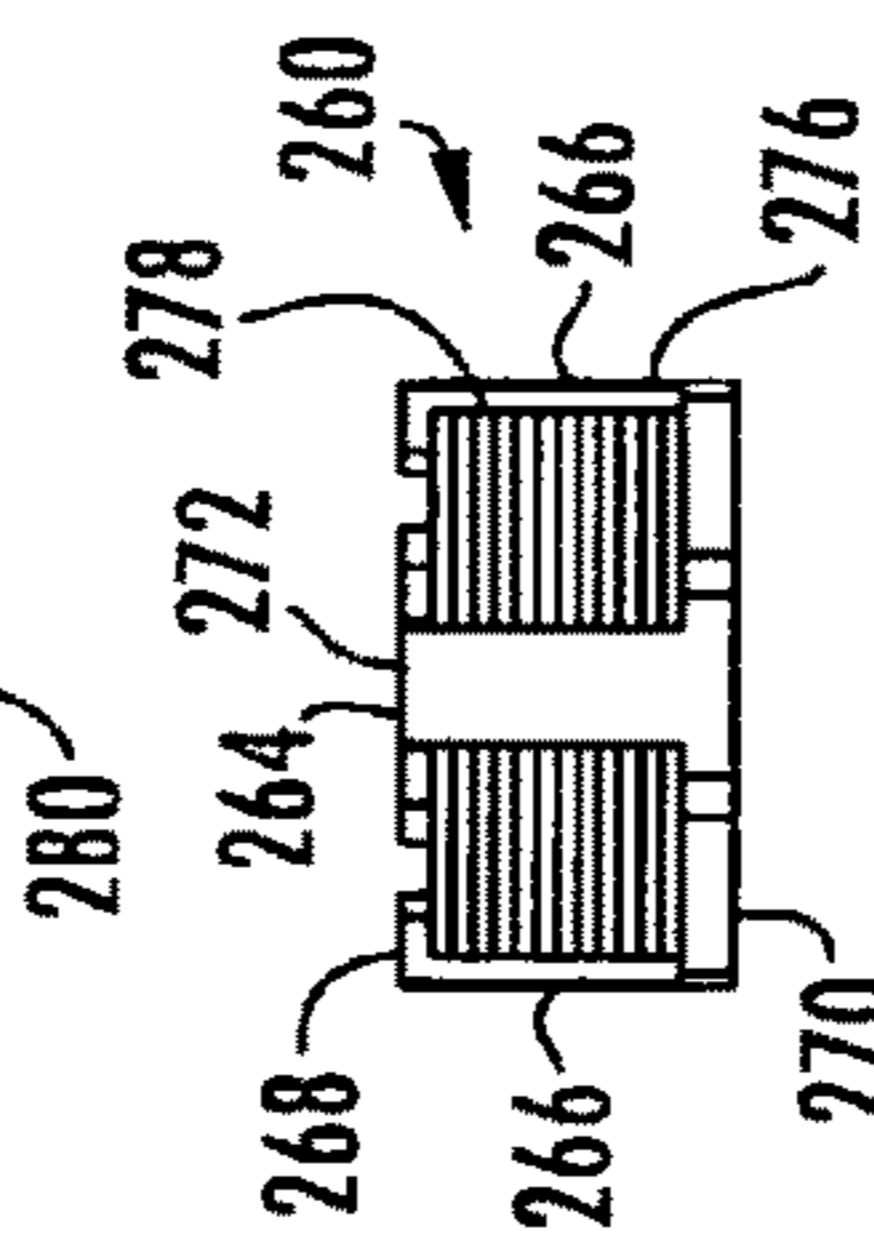
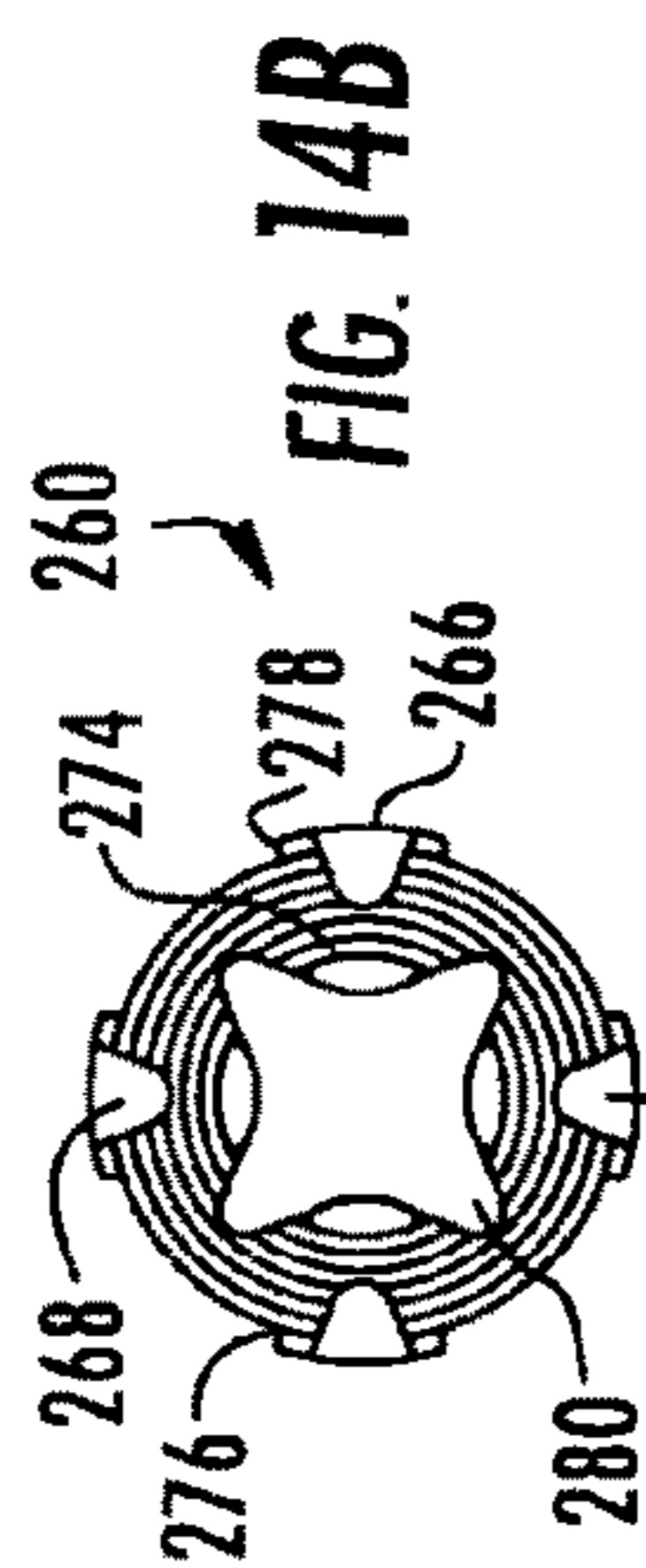
FIG. 12D
(PRIOR ART)

FIG. 12E
(PRIOR ART)

FIG. 12B

FIG. 12C





**FIBER OPTIC LOCAL CONVERGENCE
POINTS FOR MULTIPLE DWELLING UNITS**

Matter enclosed in heavy brackets [] appears in the original patent but forms no part of this reissue specification; matter printed in italics indicates the additions made by reissue; a claim printed with strikethrough indicates that the claim was canceled, disclaimed, or held invalid by a prior post-patent action or proceeding.

More than one reissue application has been filed for the reissue of U.S. Pat. No. 7,548,680. The reissue applications are U.S. patent application Ser. Nos. 13/162,115 and 14/028,338. U.S. patent application Ser. No. 14/028,338 is the present application and is a continuation reissue application of U.S. patent application Ser. No. 13/162,115.

RELATED APPLICATIONS

The present application is a *continuation reissue application of U.S. patent application Ser. No. 13/162,115, filed Jun. 16, 2011, which is an application for reissue of U.S. Pat. No. 7,548,680, issued Jun. 16, 2009, which is a Continuation of U.S. Ser. No. 11/653,137 filed on Jan. 12, 2007 now U.S. Pat. No. 7,349,616, each of which is incorporated herein by reference.*

BACKGROUND OF THE INVENTION

1. Field of the Invention

The present invention is related to fiber optic local convergence points and associated fiber optic hardware, and more particularly, to fiber optic local convergence points adapted for multiple dwelling units.

2. Description of Related Art

To provide improved performance to subscribers, fiber optic networks are increasingly providing optical fiber connectivity directly to the subscribers. As part of various fiber-to-the-premises (FTTP), fiber-to-the-home (FTTH), and other initiatives (generally described as FTTH), such fiber optic networks are providing the optical signals from distribution cables through local convergence points ("LCPs") to fiber optic cables, such as drop cables, that are run directly to the subscribers' premises. Such optical connectivity is increasingly being provided to multiple dwelling units ("MDUs") in part because of the relatively large density of subscribers located in an MDU.

MDUs include apartments, condominiums, townhouses, dormitories, hotels/motels, office buildings, factories, and any other collection of subscriber locations that are in relatively close proximity to one another. MDUs typically are all provided in a single indoor environment, such as an office or condominium; however, MDUs may also include a plurality of individual structures, such as apartment complexes. Typically, if an MDU comprises multiple structures, the optical fibers extending between the structures are adapted for outdoor environments, whereas the optical fibers extending within the structures are adapted for indoor environments. Most conventional MDUs include an LCP located in a generally central and selectively accessible location, such as the basement, utility closet, or the like, or the LCP may be located outside the MDU on an exterior wall, in a pedestal, in a handhole, or the like. The LCP includes at least one fiber optic cable that optically connects to a distribution cable. The LCP also includes a connection point where the

subscriber cables routed through the building are optically connected to the distribution cable.

Conventional LCPs for such MDUs are generally sized according to the number of subscribers to be serviced through the LCP, and many of the high density MDUs require large, expensive LCPs that may be difficult to install and/or transport. In addition, conventional LCPs often require skilled technicians to install the LCP and route the associated subscriber cables. Furthermore, highly skilled technicians are required to optically connect, often by splicing, the distribution cable to the LCP and to optically connect and route the subscriber cables to the LCP. Therefore, a need exists for LCPs that are cost-effective, are relatively small in size, and may be installed and maintained by relatively unskilled technicians.

BRIEF SUMMARY OF THE INVENTION

The various embodiments of the present invention address the above needs and achieve other advantages by providing LCPs and associated fiber optic hardware components that provide optical connectivity to relatively large numbers of subscribers using relative small fiber optic hardware components. In addition, some embodiments of the present invention enable installation of the LCPs and associated components by relatively unskilled technicians by removing the need to splice any of the connections between the distribution cable and the subscriber location and by providing optical fibers having significantly smaller minimum bend radii to provide more versatility when routing the subscriber cables through the building.

In one embodiment of the present invention, a fiber optic local convergence point ("LCP") adapted for use with a multiple dwelling unit is provided. The LCP is adapted to optically connect at least one optical fiber of a distribution cable to at least one subscriber optical fiber. The LCP comprises a housing having an interior cavity defined by a plurality of sides and by a cover that is selectively moveable from an opened position to a closed position to thereby provide access to the interior cavity when the cover is in the opened position. The housing also includes at least one surface adapted for mounting the LCP to a structure, and the housing further comprises at least one opening through the housing for the passage of at least one optical fiber. The LCP also comprises a cable assembly with a connector end adapted for optical connection to the at least one optical fiber of the distribution cable and with a splitter end generally opposite the connector end of the cable assembly. The splitter end of the cable assembly defines a casing with an exterior surface that defines a plurality of receptacles adapted to selectively receive fiber optic connectors that are optically connected to the subscriber optical fiber. The connector end of the cable assembly is optically connected to the splitter end with at least one cable assembly optical fiber. In addition, the splitter end comprises at least one splitter that optically connects the cable assembly optical fiber with the plurality of receptacles. The splitter end of the cable assembly is adapted to be removably received within the housing of the LCP, and the splitter end is adapted to be received within the housing without opening the casing of the splitter end.

Further embodiments of the present invention provide a cable assembly adapted for use in a multiple dwelling unit to optically connect at least one optical fiber of a distribution cable to at least one subscriber optical fiber. The cable assembly comprising a connector end adapted for optical connection to the at least one optical fiber of the distribution

cable and with a splitter end generally opposite the connector end of the cable assembly. The splitter end of the cable assembly defines a casing with an exterior surface that defines a plurality of receptacles adapted to selectively receive fiber optic connectors that are optically connected to the subscriber optical fiber. The connector end of the cable assembly is optically connected to the splitter end with at least one cable assembly optical fiber. In addition, the splitter end comprises at least one splitter that optically connects the cable assembly optical fiber with the plurality of receptacles. Some embodiments of the present invention include at least one microstructured optical fiber in the cable assembly. The microstructured optical fiber comprises a core region and a cladding region surrounding the core region, the cladding region comprises an annular hole-containing region comprised of non-periodically disposed holes. The microstructured fiber of some embodiments of the present invention has an 8 mm macrobend induced loss at 1550 nm of less than 0.2 dB/turn.

Still further embodiments provide related fiber optic hardware adapted for use in MDUs and other facilities. For example, the present invention provides fiber optic splice tray assemblies defining a density of splice holders per unit of volume of the splice tray assembly of at least 5 single splices/in³ and/or at least 10 mass fusion splices/in³, fiber optic splitter modules that includes a splitter axis orthogonal to an opening axis and/or that define a density of splits per unit volume of the housing of at least 5 splits/in³, fiber optic routing guides adapted to store an amount of length of optical fiber (900 μm diameter) per unit of volume of a housing of at least 10 in/in³, and fiber distribution terminals ("FDTs") defining a density of fiber optic output receptacles per unit of volume of the housing of at least 10 receptacles/in³ for an input subscriber optical cable and of at least 6 receptacles/in³ for a connectorized input subscriber optical cable. All of these fiber optic hardware components provide a significant improvement to the comparable conventional components, thus allowing them to be more easily handled and allowing them to be installed in a greater number of locations based upon the network's requirements and/or the technician's preferences. Therefore, the LCPs, cable assemblies, FDTs, and other components of various embodiments of the present invention provide for cost-effective, reduced-size, and easily-installed fiber optic networks for MDUs.

BRIEF DESCRIPTION OF THE SEVERAL VIEWS OF THE DRAWINGS

Having thus described the invention in general terms, reference will now be made to the accompanying drawings, which are not necessarily drawn to scale and are meant to be illustrative and not limiting, and wherein:

FIG. 1A is a perspective view of a local convergence point ("LCP") in accordance with one embodiment of the present invention with the cover removed and the splitter end of the cable assembly opened;

FIG. 1B is a top view the LCP of FIG. 1A illustrating the optical fiber routing within the splitter end of the cable assembly and illustrating the subscriber optical fiber;

FIG. 1C is a side view of the bottom of the LCP of FIG. 1A illustrating the openings for the at least one cable assembly optical fiber (left) and the at least one subscriber optical fiber (right);

FIG. 2A is a perspective view of a LCP in accordance with another embodiment of the present invention, illustrating the

housing of the LCP removably receiving the splitter end of the cable assembly by rotating the splitter end into the housing;

FIG. 2B is a top view of the LCP of FIG. 2A illustrating the splitter end of the cable assembly at a rotated position;

FIG. 2C is a bottom view of the LCP of FIG. 2A illustrating the splitter end of the cable assembly at a rotated position of about 45 degrees;

FIG. 3A is a perspective view of a LCP in accordance with yet another embodiment of the present invention, illustrating the housing as including a plurality of splitter modules, a splice tray assembly, fiber optic routing guides, and a subscriber termination field comprising a plurality of receptacles, wherein the LCP is free of a splitter end of a cable assembly;

FIG. 3B is a perspective view of the LCP of FIG. 3A with a cover attached and in the closed position;

FIG. 3C is a top view of the LCP of FIG. 3A illustrating the splitter modules, the splice tray assembly, the fiber optic routing guides, and the subscriber termination field;

FIG. 4A is a perspective view of a LCP in accordance with a further embodiment of the present invention, illustrating the splitter end of the cable assembly as including a plurality of splitter modules, a splice tray assembly, fiber optic routing guides, and a subscriber termination field comprising a plurality of receptacles;

FIG. 4B is a top view of the LCP of FIG. 4A illustrating the splitter modules, the splice tray assembly, the fiber optic routing guides, and the subscriber termination field within the splitter end of the cable assembly;

FIG. 5A is a perspective view of a LCP in accordance with a still further embodiment of the present invention, illustrating a plurality of splitter modules housed within the interior cavity of the housing, wherein the splitter modules define multi-fiber output receptacles;

FIG. 5B is a perspective view of the LCP of FIG. 5A illustrating the splitter modules with the access cover removed to allow selective installation and/or removal of the individual splitter modules;

FIG. 5C is a top view of the LCP of FIG. 5A with the access cover installed;

FIG. 5D is a side view of the bottom of the LCP of FIG. 5A illustrating the openings providing passage for the optical fibers to and from the distribution cable and/or the subscriber termination points;

FIG. 6 is a side view of a MDU that includes an LCP and associated fiber optic hardware in accordance with another embodiment of the present invention wherein the fiber optic network does not include at least one FDT such that the subscriber optical fibers are routed directly to the subscriber termination points without the use of the FDT and/or the subscriber drop optical fibers;

FIG. 7 is a side view of a multiple dwelling unit ("MDU") that includes an LCP and associated fiber optic hardware in accordance with one embodiment of the present invention, illustrating the optical signal routing from the distribution cable to LCP via the cable assembly optical fiber to the LCP, then to the FDT via the subscriber optical fiber, and finally to the subscriber termination point via the subscriber drop optical fiber;

FIG. 8A is a perspective view of a fiber distribution terminal ("FDT") in accordance with one embodiment of the present invention illustrating a single input optical cable comprising a plurality of input optical fibers and an output opening comprising a plurality of fiber optic output receptacles;

5

FIG. 8B is a perspective view of the FDT of FIG. 8A further comprising a removable portion adapted to selectively cover the fiber optic output receptacles when at least one connector is received in the fiber optic receptacles;

FIG. 8C is a top view of the FDT of FIG. 8A illustrating the mounting flanges of the FDT;

FIG. 8D is a side view of the bottom of the FDT of FIG. 8A illustrating the input opening in a sidewall as comprising a through-hole for passage of at least one input optical fiber;

FIG. 9A is a perspective view of a FDT in accordance with a further embodiment of the present invention illustrating an input opening comprising a fiber optic input receptacle and an output opening comprising a plurality of fiber optic output receptacles;

FIG. 9B is a top view of the FDT of FIG. 9A illustrating the mounting flanges of the FDT;

FIG. 9C is a side view of the bottom of the FDT of FIG. 9A illustrating the input opening in a sidewall as comprising a fiber optic input receptacle adapted to receive a multi-fiber connector of the subscriber optical fiber;

FIG. 10A is a perspective view of a FDT in accordance with a still further embodiment of the present invention with a top cover removed, illustrating an input opening comprising a fiber optic input receptacle and an output opening comprising a plurality of fiber optic output receptacles, wherein the FDT defines an input opening axis that is generally orthogonal to an output opening axis;

FIG. 10B is a top view of the FDT of FIG. 10A illustrating the internal routing of the optical fibers from the input opening to the output opening;

FIG. 10C is a side view of the output opening of the FDT of FIG. 10A illustrating the plurality of fiber optic output receptacles adapted to receive MU connectors of the subscriber drop optical fibers;

FIG. 11A is a perspective view of a FDT in accordance with yet another embodiment of the present invention with a top cover removed, illustrating an input opening comprising a fiber optic input receptacle and an output opening comprising a plurality of fiber optic output receptacles, wherein the FDT defines an input opening axis that is generally parallel to an output opening axis;

FIG. 11B is a top view of the FDT of FIG. 11A illustrating the internal routing of the optical fibers from the input opening to the output opening;

FIG. 11C is a side view of the output opening of the FDT of FIG. 11A illustrating the plurality of fiber optic output receptacles adapted to receive MU connectors of the subscriber drop optical fibers;

FIG. 12A is a perspective view of a fiber optic splice tray assembly in accordance with one embodiment of the present invention illustrated above a prior art splice tray assembly, wherein the splice tray assembly of the present invention defines a significantly greater density of splice holders per unit volume of the splice tray assembly as compared to the prior art splice tray assembly;

FIGS. 12B and 12C are top and side views, respectively, of the splice tray assembly of the embodiment of the present invention of FIG. 12A illustrated to scale relative to the prior art splice tray assembly of FIGS. 12D and 12E;

FIGS. 12D and 12E are top and side views, respectively, of the prior art splice tray assembly of FIG. 12A illustrated to scale relative to the splice tray assembly of FIGS. 12B and 12C;

FIG. 13A is a perspective view of a fiber optic splitter module in accordance with one embodiment of the present invention illustrated above a prior art splitter module, wherein the splitter module of the present invention defines

6

a significantly greater density of output optical fibers per unit volume of the housing as compared to the prior art splice tray assembly, and wherein the splitter module of the present invention defines a splitter axis that is generally orthogonal to an opening axis;

FIGS. 13B and 13C are top and side views, respectively, of the splitter module of the embodiment of the present invention of FIG. 13A illustrated to scale relative to the prior art splitter module of FIG. 13A;

FIGS. 13D and 13E are top and side views, respectively, of the prior art splitter module of FIG. 13A illustrated to scale relative to the splitter module of FIGS. 13B and 13C;

FIG. 14A is a perspective view of a fiber optic routing guide in accordance with one embodiment of the present invention illustrated above a prior art routing guide, wherein the routing guide of the present invention is adapted to store a significantly greater amount of length of optical fiber per unit volume of the housing as compared to the prior art routing guide;

FIGS. 14B and 14C are top and side views, respectively, of the routing guide of the embodiment of the present invention of FIG. 14A illustrated to scale relative to the prior art routing guide of FIG. 14A; and

FIGS. 14D and 14E are top and side views, respectively, of the prior art routing guide of FIG. 14A illustrated to scale relative to the routing guide of FIGS. 14B and 14C.

DETAILED DESCRIPTION OF THE INVENTION

The present invention now will be described more fully hereinafter with reference to the accompanying drawings, in which some, but not all embodiments of the invention are shown. Indeed, the invention may be embodied in many different forms and should not be construed as limited to the embodiments set forth herein; rather, these embodiments are provided so that this disclosure will satisfy applicable legal requirements. Although apparatus and methods for providing local convergence points ("LCPs") for multiple dwelling units ("MDUs") are described and shown in the accompanying drawings with regard to specific types of LCPs and associated fiber optic hardware, it is envisioned that the functionality of the various apparatus and methods may be applied to any now known or hereafter devised LCPs and associated fiber optic hardware in which it is desired to provide optical connectivity for MDUs. Like numbers refer to like elements throughout.

With reference to FIG. 1A-14E, various LCPs and associated fiber optic hardware in accordance with various embodiments of the present invention are illustrated. It should be appreciated that the many embodiments of the present invention include various combinations of the fiber optic hardware described herein. Furthermore, certain embodiments do not include all of the components described herein, non-limiting examples of components that are not included in all embodiments include fiber optic splice tray assemblies, fiber optic routing guides, fiber distribution terminals, subscriber drop optical fibers, and others. In addition, although many embodiments referred to herein are described as having certain dimensions and densities, it should be appreciated that the dimensions are merely exemplary and limiting.

Turning now to the LCP 10 of FIGS. 1A-1C, the LCP is adapted for use with a MDU to optically connect at least one optical fiber of a distribution cable to at least one subscriber optical fiber. The LCPs described herein are intended for indoor use; however, further embodiments are adapted for

indoor and/or outdoor use and may be mounted to any surface. The LCP 10 of FIGS. 1A-1C include a housing 12 comprising an interior cavity 14 defined by a plurality of sides 16 and by a cover (not shown) that is selectively moveable from an opened position to a closed position to thereby provide access to the interior cavity when the cover is in the opened position. The interior cavity 14 of the LCP 10 is not hermetically sealed and may include a variety of openings to provide access to the interior cavity. The housing 12 of FIGS. 1A-1C comprises at least one surface 16 adapted for mounting the LCP 10 to a structure (not shown) such as wall in a building to provide one non-limiting example. The housing 12 of FIGS. 1A-1C is similar to standard plastic network interface device ("NID") housings offered by Corning Cable Systems of Hickory, N.C.; however, the housings of further embodiments of the present inventions include housings of any shape and/or material sufficient to provide the necessary optical connectivity, environmental protection, and/or structural properties required for the particular application. The housing 12 further comprises at least one opening 18 and 20 through the housing for the passage of at least one optical fiber such as an optical fiber 22 optically connected to at least one optical fiber of a distribution cable (not shown) and such as a subscriber optical fiber 24 optically connected to a subscriber termination point (not shown). It should be appreciated that the opening 20 provides passage for a plurality of subscriber optical fibers which are shown generally outside the housing 12, but for illustrative purposes only one subscriber optical fiber 24 is shown inside the housing 12.

The LCP 10 of FIGS. 1A-1C also includes a cable assembly 30 comprising a connector end (not shown) adapted for optical connection to at least one optical fiber of a distribution cable (not shown) of the fiber optic network. The connector end includes a preconnectorized (factory-prepared connector) end that may be conveniently connected to a connector at an access point on the distribution cable. Conversely, the connector end of further embodiments may not include any connector such that the optical fiber(s) of the connector end must be spliced to the optical fiber(s) of the distribution cable at an access point (that may or may not be factory-prepared) on the distribution cable. Returning again to the embodiment of FIGS. 1A-1C, generally opposite the connector end of the cable assembly 30 is provided a splitter end 32 that defines a casing 34 with an exterior surface 36 that defines a plurality of receptacles 38 adapted to selectively receive fiber optic connectors 40 that are optically connected to the at least one subscriber optical fiber 24. At least one cable assembly optical fiber 22 extends from the connector end to the splitter end to optically connect the splitter end to the connector end (and the distribution cable when the LCP is installed).

The cable assembly optical fiber 22 of FIGS. 1A-1C is optically connected to a splitter 42, such as a 1x8, 1x16, 1x32, and/or 1x64 splitters to provide non-limiting examples of splitters, that splits the optical signal from the optical fiber 22 to a plurality of pigtails 44. The pigtails 44 are optical fibers optically connected to the splitter and that terminate in a connector (not shown) adapted to be received in the receptacles opposite the exterior surface 36, such that receipt of the fiber optic connector 40 by the receptacle 38 optically connects the pigtail to the subscriber optical fiber. Further embodiments of the present invention provide alternative devices to optically connect the cable assembly optical fiber to the plurality of receptacles. The splitter end 32 of FIGS. 1A-1C includes nine 1x32 splitters 42 thus providing up to 288 receptacles 38 adapted to selectively

receive fiber optic connectors 40 that are optically connected to the at least one subscriber optical fiber 24. Thus the cable assembly 30 includes nine cable assembly optical fibers to optically connect each of the splitters 42 to the distribution cable. However, further embodiments of the present invention include any number of cable assembly optical fibers, splitters, and receptacles, which are typically dictated by the number of subscriber termination points to be provided within the MDU (and the number of LCPs to be provided in the MDU, as some MDUs include multiple LCPs).

The splitter end 32 of the cable assembly 30 of the LCP 10 of FIG. 1A-1C is adapted to be removably received within the housing 12 of the LCP. Furthermore, the splitter end 32 of FIGS. 1A-1C is adapted to be received within the housing without opening the casing 34 of the splitter end. Therefore, the LCP 10 may be conveniently installed by a field technician by simply mounting the housing 12 to an appropriate surface, optically connecting the connector end of the cables assembly 30 to the distribution cable, and then inserting the splitter end 32 into the housing. Further embodiments of the present invention comprise an LCP that does not include a housing, but simply comprises the cable assembly, such as the cable assembly 30 of FIGS. 1A-1C. Such as of a cable assembly without the housing would be suitable for certain applications where environmental protection, security, and other considerations are less of a concern. For certain embodiments of the LCP without a housing, the casing of the cable assembly includes features to assist in the convenient mounting of the splitter end (and in some embodiments, the connector end) of the cable assembly relative to the MDU.

Turning again to the LCP 10 of the illustrated embodiments, receipt of the splitter end 32 into the housing 12 is illustrated in FIGS. 2A-2C. An interior surface of the housing 12 includes a clip 46 into which a protrusion of the casing 34 may be selectively received to create a hinge to allow the splitter end to be rotatably joined to the housing of the LCP 10. To install the splitter end 32 into the housing 12, the technician simply connects the protrusions to the respective clips 46 and then rotates the splitter end inward. The splitter end 32 is illustrated in FIGS. 2A-2C as being at about a 45 degree angle relative to the housing; however, the splitter end may rotate any amount permitted by the housing (for this example from at least 0 degrees to 90 degrees); however, further embodiments of the present invention include splitter ends that rotate at any angles relative to the housing and splitter ends that are selectively received by the housing in alternative fashions, such as with fasteners, with retaining clips requiring linear insertion or alternative insertion techniques, with adhesives, and with any suitable retention devices and/or techniques. As previously mentioned, the splitter end 32 of FIGS. 1A-2C is adapted to be received within the housing without opening the casing 34 of the splitter end. Furthermore, the splitter end of the cable assembly is adapted to be removably received within the housing 12 of the LCP 10 without requiring any splice operation and/or connectorization operation. The splitter end 32 is factory prepared to include all the necessary optical connectivity from the connector end to the plurality of receptacles such that a technician would not be required to open the casing 34. However, it should be appreciated that the casings of some embodiments of the present invention provide devices and/or techniques for selectively opening and closing the casing 34 in the field to permit selective access within the casing. Still further embodiments of the present invention include splitter ends that do not include any casing, such as the LCP 50 of FIGS. 3A-3B.

The LCP 50 of FIGS. 3A-3C is one embodiment of the present invention that does not include a casing for the splitter end 52. Rather than having an encased splitter end, the splitter end 52 of FIGS. 3A-3C is positioned within the interior cavity 54 as individual components, preferably in the factory, but possibly in the field. FIG. 3B illustrates the cover 56 that is selectively movable from an opened position to a closed position (FIG. 3B) to provide access to the interior cavity 54. The splitter end 52 of the LCP 50 may be factory prepared to include all the fiber optic hardware components shown and to allow a field technician to provide a number of operations on the various components. The splitter end 52 includes a plurality of splitters 58, at least one splice tray assembly 60, at least one fiber optic routing guide 62, and a subscriber termination field comprising a plurality of receptacles 64. By providing the fiber optic hardware components individually within the LCP 50, a network provider is given the option of purchasing the LCP with the minimum amount of fiber optic hardware components required at the time of installation and then add additional components as additional subscribers need connection to the network. Still further advantages are provided by providing the splitter end 52 of FIGS. 3A-3C. The cable assembly optical fiber(s) (not shown) is routed to the splitters 58 where the optical signal is split into a plurality of optical fibers. The optical fibers may be spliced, by either single splices for individual fibers or mass fusion splicing for multi-fiber cables such as ribbon cables, and placed within the splice tray assembly. The optical fibers from the splitters may be spliced to pigtails that may be inserted into a side of the receptacles 64 opposite the side into which the connector of the subscriber optical fiber will be received. Although the splice tray assembly 60 does accommodate a certain amount of fiber optic slack, such as an amount of slack necessary to perform the splice operation, the fiber optic routing guides 62 also provide slack storage for the optical fibers from the splitters and/or for the pigtails. Still further embodiments of the present invention may provide additional and/or alternative fiber optic components in the interior cavity of the housing of the LCP.

Turning now to the LCP 70 of FIGS. 4A and 4B, the splitter end 72 does include fiber optic splice tray assembly 74 and fiber optic routing guides 76 within the casing 78. The splitter end 72 also includes a plurality of splitters 80 and the plurality of receptacles 82 similar to the embodiments of FIGS. 1A-2C. Therefore, the LCP 70 of FIGS. 4A and 4B includes some of the functionality of the LCP 50 of FIGS. 3A-3C, while also providing the ease of installation of the LCP 10 of FIGS. 1A-2C. Still further advantages can be realized by combining the various fiber optic hardware components and techniques of the embodiments of FIGS. 1A-4B and further embodiments of the present invention.

In addition to providing convenient installation of the LCP within and/or near the MDU, the LCPs of certain embodiments of the present invention also provide improved density of connections, which significantly reduces the cost of the hardware and enables technicians to more easily install the LCP and associated fiber optic hardware and to increase the possible places the LCP and associated fiber optic hardware may be installed and/or mounted. Whereas prior art LCPs generally define a width of 13.5 inches, a height of 15.5 inches, and a depth of 5.5 inches along the exterior of the LCP while providing only 48 receptacles for subscriber optical fibers, the LCPs of the illustrated embodiments of the present invention generally define a width of 9.8 inches, a height of 12.6 inches, and a depth of 3.8 inches while providing 288 receptacles for subscriber optical fibers.

Therefore, the prior art LCPs define a density of receptacles per unit of volume of the housing of about 0.042 receptacles/in³, and the LCPs of the illustrated embodiments define a density of receptacles per unit of volume of the housing of about 0.614 receptacles/in³, which is a significant improvement in density that can be used to provide smaller LCPs and/or provide additional optical connectivity with the LCPs of the present invention. Various embodiments of the present invention preferably provide a density of receptacles per unit of volume of the housing from about 0.10 receptacles/in³ to about 4.0 receptacles/in³, more preferably a density of receptacles per unit of volume of the housing from about 0.25 receptacles/in³ to about 2.0 receptacles/in³, and still more preferably a density of receptacles per unit of volume of the housing from about 0.50 receptacles/in³ to about 1.0 receptacles/in³.

The LCPs of FIGS. 1A-4B include receptacles that are adapted to receive connectors of subscriber optical fibers that comprise 5 mm optical connectors, which may be arranged in relatively dense patterns as a distance of only 5 mm is required between centers in both lateral and longitudinal directions ("5 mm optical connectors"). Still further embodiments of the present invention include receptacles adapted to receive MU connectors that may also be arranged in relatively dense patterns, but require 4.5 mm to 5 mm between centers in either a lateral or longitudinal direction and about 10 mm in the opposite direction; thereby requiring slightly large volume than the 5 mm optical connectors. Additional embodiments of the present invention include receptacles adapted to receive SC, LC, ST, FC, MT-RJ, MTP, and other fiber optic connectors and adapted to receive single-mode or multimode fibers in simplex, duplex, or multi-fiber arrangements.

FIGS. 5A-5D illustrate yet another LCP 90 of the present invention, wherein the LCP includes a plurality of multi-fiber receptacles 92 adapted to received multi-fiber connectors (not shown) of the subscriber optical fibers. The housing 94 of the LCP 90 defines an interior cavity 96 into which a plurality of splitter modules 98 may be received. Rather than providing a cable assembly as in the embodiments discussed above, the LCP 90 is adapted to house a plurality of splitter modules 98. The splitter modules 98 of the illustrated embodiments includes a single input opening 100 and a plurality of output openings 102 to which optical fibers may be routed and connected via multi-fiber connectors (not shown). The optical fibers pass through the openings 104 and 106 similar to the embodiments described above; however, it would be possible to change the routing if desired by the technician. The splitter modules 98 include a splitter (not shown) that splits the optical signal received through the input opening 100 to the plurality of receptacles of the output openings. The splitter modules 98 are installed by fastening them to brackets 108 provided in the interior cavity 96 of the housing 94; however, further embodiments may install the splitter modules in alternative fashions, such as by providing a splitter end of a cable assembly wherein the splitter end is adapted to receive at least one splitter module within the splitter end, to describe one non-limiting example. The LCP 90 of FIGS. 5A-5D includes an access cover 110 to limit access to the splitter modules to technicians. The splitter modules of certain embodiments of the present invention include the splitter modules of FIGS. 13A-13D described in more detail below.

FIGS. 6 and 7 illustrate the LCPs (not to scale) of certain embodiments of the present invention installed in an MDU 120. The MDU 120 of FIGS. 6 and 7 comprises an apartment building having nine dwelling units 122 for illustrative

purposes only. The LCP **124** is positioned on the ground floor or basement in the illustrated embodiment; however, the LCP of further embodiments is positioned at any location relative to the MDU. The LCP **124** includes a cable assembly **126** that is optically connected to a distribution cable **128** via the cable assembly optical fiber(s) **130** as described above. As also described above, the subscriber optical fibers **132** that are connected to the receptacles of the LCP **124** exit the LCP and extend throughout the MDU. The subscriber optical fibers **132** of FIG. **6** extend directly to each dwelling unit and terminate at a subscriber termination point **134**, such as an adapter in a wall outlet, an adapter in a floor panel, an adapter behind a ceiling tile, or the like such that the subscriber can optically connect directly (or indirectly in some situations) to the subscriber optical fiber **132**. Although the optical fibers **130** and **132** include arrows pointing in the direction of the subscriber termination points **134**, it should be appreciated that optical signals may be passed in either direction as required for the particular application; the arrows are merely provided for illustrative purposes.

FIG. **7** is also provided to illustrate embodiments in which the subscriber optical fiber **132** is optically connected to a fiber distribution terminal ("FDT") **136** (not to scale) rather than the subscriber termination point **134**. FDTs are provided to simplify the routing and installation of the optical fibers between the LCP **124** and the subscriber termination points **134** by allowing the subscriber optical fibers **132** to be grouped between the LCP and FDT and then separated at the FDT. More specifically, the subscriber optical fibers **132** of FIG. **7** comprise multi-fiber cables comprising a plurality of optical fibers, such as ribbon fiber to provide one non-limiting example. As explained more fully below, the subscriber optical fiber **132** is separated into multiple subscriber drop optical fibers **138** that are routed from the FDT **136** to the subscriber termination points **134**. As shown in FIG. **7**, each floor of the MDU **120** includes a FDT, such that each of the three subscriber optical fibers **132** is divided into three subscriber drop optical fibers **136**. Accordingly, there are fewer optical fibers and/or cables extending between the floors of the MDU thus simplifying routing of optical fibers through the MDU. Although floors of an MDU are described in the illustrated embodiments, it should be appreciated that FDTs may be used to facilitate optical fiber routing to any layout of areas within an MDU.

Turning now to the FDTs of FIGS. **8A-11C**, various FDTs are included in the present invention. The FDT **140** of FIGS. **8A-8D** comprises a generally rectangular housing **142** that defines a top wall **144**, a bottom wall **146**, and a sidewall **148** extending therebetween. The FDT **140** includes an input opening **150** defined in the sidewall **148**, and the input opening is adapted to receive at least one input optical fiber. For the FDT **140** of FIGS. **8A-8D**, the input opening **150** receives a single subscriber optical cable **152** that comprises twelve subscriber optical fibers. The FDT **140** defines a direct cable input as compared to the multi-fiber connector input of the embodiment of FIGS. **9A-9C** described below. The FDT **140** of FIGS. **8A-8D** also includes an output opening **154** defined in the sidewall **148**. The output opening **154** comprises a plurality of fiber optic output receptacles **156** adapted to receive fiber optic connectors, such as from a subscriber drop optical fiber (not shown), to optically connect the fiber optic connector to a respective one of the input optical fibers. The FDTs of further embodiments of the present invention are adapted to receive any number of input optical fibers and provide any number of fiber optic output receptacles. The FDT **140** of FIG. **8B** includes a removable

portion **158** adapted to selectively cover the fiber optic output receptacles when one or more fiber optic connectors are received in the fiber optic output receptacles to generally protect the connectors from unintentional disconnection, as well as other undesirable problems that may be created by unintentional contact of foreign objects with the connectors. The removable portion **158** of FIG. **8B** may be easily connected and disconnected by a technician using clips, fasteners, and the like when the technician accesses the output opening **154** and the fiber optic output receptacles **156**. The FDT **140** also includes one or more mounting flanges **159** to provide easy installation of the FDT within the MDU.

The FDT **140** of FIGS. **8A-8D** provides a significant advantage over prior art FDTs in that the FDT **140** provides easy installation and connectivity, as well as requiring significantly less volume than prior art FDTs. Prior art FDTs typically use a housing similar to the LCP housings described above or an even larger cabinet or the like. Therefore, prior art FDTs provide for only about a density of receptacles per unit of volume of the housing of about 0.042 receptacles/in³. However, the FDT **140** of FIGS. **8A-8D** generally defines (not including the mounting flanges or removable portion area) a width of 1.38 inches, a height of 1.35 inches, and a depth of 0.55 inches while providing 12 receptacles for subscriber optical fibers. Therefore, the FDT **140** provides a density of receptacles per unit of volume of the housing of about 11.7 receptacles/in³, which is a significant improvement in density over the prior art. Various embodiments of the present invention preferably provide direct cable input FDTs having a density of receptacles per unit of volume of the housing from about 1.0 receptacles/in³ to about 40 receptacles/in³, more preferably a density of receptacles per unit of volume of the housing from about 5.0 receptacles/in³ to about 20 receptacles/in³, and still more preferably a density of receptacles per unit of volume of the housing from about 10 receptacles/in³ to 0.3 about 15 receptacles/in³.

Referring now to the FDTs of FIGS. **9A-9C**, a multi-fiber connector input FDT **160** is provided. The FDT **160** of FIGS. **9A-9C** comprises a generally rectangular housing **162** that defines a top wall **164**, a bottom wall **166**, and a sidewall **168** extending therebetween. The FDT **160** includes an input opening **170** defined in the sidewall **168**, and the input opening is adapted to receive at least one input optical fiber. For the FDT **160** of FIGS. **9A-9C**, the input opening **170** provides a multi-fiber receptacle **172** to which a multi-fiber connector may be selectively received. The multi-fiber connector of the subscriber optical cable (not shown) comprises twelve subscriber optical fibers. The FDT **160** of FIGS. **9A-9C** also includes an output opening **174** defined in the sidewall **168**. The output opening **174** comprises a plurality of fiber optic output receptacles **156** adapted to receive fiber optic connectors, such as from a subscriber drop optical fiber (not shown), to optically connect the fiber optic connector to a respective one of the input optical fibers. The FDTs of further embodiments of the present invention are adapted to receive any number of input optical fibers and to provide any number of fiber optic output receptacles.

Similar to the direct cable input FDT **140** of FIGS. **8A-8D**, the multi-fiber connector input FDT **160** of FIGS. **9A-9C** provides a significant advantage over prior art FDTs in that the FDT **140** provides easy installation and connectivity, as well as requiring significantly less volume than prior art FDTs. As mentioned above, prior art FDTs typically provide a density of receptacles per unit of volume of the housing of about 0.042 receptacles/in³. However, the FDT

160 of FIGS. **9A-9C** generally defines (not including the mounting flanges or removable portion area) a width of 2.09 inches, a height of 1.35 inches, and a depth of 0.55 inches while providing 12 receptacles for subscriber optical fibers. Therefore, the FDT **160** provides a density of receptacles per unit of volume of the housing of about 7.73 receptacles/in³, which is a significant improvement in density over the prior art. Various embodiments of the present invention preferably provide multi-fiber connector input FDTs having a density of receptacles per unit of volume of the housing from about 1.0 receptacles/in³ to about 40 receptacles/in³, more preferably a density of receptacles per unit of volume of the housing from about 5.0 receptacles/in³ to about 20 receptacles/in³, and still more preferably a density of receptacles per unit of volume of the housing from about 6.0 receptacles/in³ to about 12 receptacles/in³.

Referring now to the multi-fiber connector input FDTs of FIGS. **10A-11C**, each FDT **180** and **200** are similar to the multi-fiber connector input FDT **160** of FIGS. **9A-9C** but provide the input openings **182** and **202** at slightly different positions and provide eight MU fiber optic output receptacles **184** and **204** of the output openings **186** and **206** as opposed to the twelve 5 mm fiber optic output receptacles **156** (for receiving 5 mm optical connectors). The FDTs **182** and **202** also do not include mounting flanges and/or the removable portion; however, further embodiments of the present invention include FDTs that include any combination of the features described herein. The FDT **180** of FIGS. **10A-10C** includes the input opening **182** in the sidewall **188** such that the input opening defines an input axis **190** generally orthogonal to the input opening **182** and the output opening **186** defines an output axis **192** generally orthogonal to the output opening, such that the input axis and the output axis are generally orthogonal to one another. The input axis **190** and the output axis **192** of the openings of the FDT **160** of FIGS. **9A-9C** are also orthogonal to one another; however, the input opening of the FDT **180** of FIGS. **10A-10C** has been recessed a significant amount to protect the multi-fiber connector **194** of the subscriber optical cable and to further reduce the amount of area required by the FDT and its related connectors. Similarly, the FDT **200** of FIGS. **11A-11C** defines an input axis **210** and an output axis **212** that are generally parallel to one another. Therefore, the FDTs of various embodiments of the present invention provide numerous option when selecting the proper FDT to be used in a particular location, with or without particular connectors, with a particular orientation, and the like.

FIGS. **12A-14D** illustrate fiber optic hardware components associated with the LCPs of various embodiments of the present invention. The fiber optic hardware components are illustrated to scale relative to similar prior art components to illustrate the differences in sizes and/or orientations achievable using microstructured optical fiber of the present invention, as described more fully below. Turning now to the fiber optic splice tray assembly **220** of FIGS. **12A-12C**, the fiber optic splice tray assembly comprises a frame **224** defining a base **226** and a plurality of sidewalls **228** joined to the base, wherein a volume of the splice tray assembly is defined by a length of the base, a width of the base, and a height of the sidewalls. The splice tray assembly also includes a splice tray **230** comprising a plurality of splice holders **232** joined to the splice tray. The splice holders **232** are adapted to selectively receive a plurality of splices **234** of optical fibers **236**. The splice holders **234** are generally angled relative to the sidewalls **228** of the frame **224**. At least a portion of the sidewalls **228** defines slack storage generally around the splice tray **230**, wherein the slack storage pro-

vides for a sufficient amount of slack of the optical fibers **236** associated with the splice generally sufficient for a technician to optically connect the optical fibers with the splice **234**. As shown best in FIG. **10B**, the splice tray assembly **220** provides slack storage along only two sidewalls **228** of the frame **224**.

Based in part upon the use of the microstructured optical fiber described below, the splice tray assembly **220** is adapted to provide a significant improvement in the density of splices per unit of volume of the splice tray assembly, thus reducing the size, number, and/or costs of splice tray assemblies required for a particular application. Whereas prior art splice tray assemblies **236** generally define along the exterior a width of 3.94 inches, a length of 9.34 inches, and a depth of 0.4 inches while providing 24 splice holders, the splice tray assembly of the illustrated embodiment of the present invention generally defines along the exterior a width of 2.44 inches, a length of 6.34 inches, and a depth of 0.4 inches while providing 24 splice holders. Therefore, the prior art splice tray assemblies define a density of splice holders per unit of volume of the splice tray assembly of about 1.63 single splices/in³ and about 3.26 mass fusion splices/in³, and the splice tray assembly of the illustrated embodiment defines a density of splice holders per unit of volume of the splice tray assembly of about 3.87 single splices/in³ and about 7.76 mass fusion splices/in³. Various embodiments of the present invention preferably provide a density of splice holders per unit of volume of the splice tray assembly of at least 3 single splices/in³ or at least 6 mass fusion splices/in³, more preferably a density of splice holders per unit of volume of the splice tray assembly of at least 5 single splices/in³ or at least 10 mass fusion splices/in³, and still more preferably a density of splice holders per unit of volume of the splice tray assembly of at least 8 single splices/in³ or at least 16 mass fusion splices/in³.

Turning now to the fiber optic splitter module **240** of FIGS. **13A-13C**, the splitter module optically connects at least one input optical fiber **242** and a plurality of output optical fibers **244**. The splitter module comprises a housing **246** having at least one opening **248** therethrough, wherein the opening defines an opening axis **250** generally orthogonal to the opening. The splitter module also includes a splitter **252** within the housing **246**, wherein the input optical fiber **242** is optically connected to the plurality of output optical fibers **244** by the splitter **252**. The splitter **252** defines a splitter axis **254** generally aligned with the input optical fiber **242** and the plurality of output optical fibers **244** proximate the splitter. In the splitter module **240** of FIGS. **13A-13C**, the splitter axis **254** is generally orthogonal to the opening axis **250**. It should be noted that the splitter module **240** does not include a slack loop for either the input optical fiber **242** or the output optical fiber **244**, based in part upon the performance of the microstructured optical fiber used in some embodiments of the present invention.

Also based in part upon the use of the microstructured optical fiber described below, the splitter module **240** is adapted to provide a significant improvement in the density of output optical fiber splits per unit of volume of the splitter module housing, thus reducing the size, number, and/or costs of splitter modules required for a particular application. Whereas prior art splitter module **256** generally defines along the exterior a width of 3.07 inches, a length of 4.85 inches, and a depth of 0.92 inches while providing 32 output fiber splits, the splice tray assembly of the illustrated embodiment of the present invention generally defines along the exterior a width of 3.47 inches, a length of 1.83 inches, and a depth of 0.83 inches while providing 32 output fiber

splits. Therefore, the prior art splice tray assemblies define a density of output optical fiber splits per unit of volume of the splitter module housing of about 2.34 splits/in³, and the splice tray assembly of the illustrated embodiment density of output optical fiber splits per unit of volume of the splitter module housing of about 6.07 splits/in³. Various embodiments of the present invention preferably provide a density of output optical fiber splits per unit of volume of the splitter module housing of about 4 splits/in³ to about 10 splits/in³, more preferably a density of output optical fiber splits per unit of volume of the splitter module housing of about 5 splits/in³ to about 8 splits/in³, and still more preferably a density of output optical fiber splits per unit of volume of the splitter module housing of about 6 splits/in³ to about 7 splits/in³. It should be appreciated that the numbers given above are for 1×32 splitters and that additional splitter modules of the present invention generally define the same volume while including alternative numbers of splits, such that the amounts given above should be adjusted accordingly based upon the splitter ratio of the actual splitter(s) used in the splitter module.

Turning now to the fiber optic routing guide **260** of FIGS. **14A-14E**, the fiber optic routing guide is adapted for use in an enclosure of a fiber optic network, such as the housing (and/or splitter end of the cable assembly) of an LCP as described above, to provide one non-limiting example. The routing guide **260** is adapted to store slack of an optical fiber **262**, such as an optical fiber having an outer diameter of 900 μm to provide one non-limiting example. The routing guide **260** comprises a housing **264** defining an outer surface **266** generally located between a top surface **268** and a bottom surface **270**. The routing guide **260** also includes a core portion **272** defining a fiber routing surface **274** along the perimeter of the core portion between the top surface **268** and the bottom surface **270**. The core portion **272** is generally centered in the housing **264**, and the fiber routing surface is adapted to receive the routed optical fiber **262**. The routing guide **260** further includes an outer wall **276** joined to the core portion **272**. The outer wall **276** defines the outer surface **266** of the housing **264** and defines an inner surface **278** opposite the outer surface and facing the fiber routing surface **274** of the core portion **272**. For the routing guide **260** of FIGS. **14A-14C**, the fiber routing surface **278** generally defines a plurality of curved surfaces having a common center, the outer surface **266** generally defines a plurality of curved surfaces having a common center, and the centers for both the fiber routing surface and the outer surface correspond (same center). Tab portions **280** extending radially from the fiber routing surface **274** and the inner surface **278**. The volume of the routing guide **260** is defined along the outer surface **266** between the top surface **268** and the bottom surface **270**.

Based in part upon the use of the microstructured optical fiber described below, the routing guide **260** of FIGS. **14A-14C** is adapted to provide a significant improvement in the amount of length of optical fiber stored by the routing guide per unit of volume of the housing, thus reducing the size, number, and/or costs of routing guides required for a particular application. Whereas prior art routing guides **282** generally define an outer diameter along the outer surface of 2.50 inches and a height of 0.56 inches while being able to store 323 inches of 900 μm optical fiber, the routing guide of the illustrated embodiment of the present invention generally defines an outer diameter along the outer surface of 1.05 inches and a height of 0.56 inches while being able to store 290 inches of 900 μm optical fiber. Therefore, the prior art routing guides is adapted to store an amount of length of

optical fiber per unit of volume of the housing of about 6.12 inches of 900 μm diameter optical fiber/in³, and the routing guide of the illustrated embodiment is adapted to store an amount of length of optical fiber per unit of volume of the housing of about 13.1 inches of 900 μm diameter optical fiber/in³. Various embodiments of the present invention preferably store an amount of length of optical fiber per unit of volume of the housing of about 10 inches of 900 μm diameter optical fiber/in³ to about 20 inches of 900 μm diameter optical fiber/in³, more preferably store an amount of length of optical fiber per unit of volume of the housing of about 11 inches of 900 μm diameter optical fiber/in³ to about 18 inches of 900 μm diameter optical fiber/in³, and still more preferably store an amount of length of optical fiber per unit of volume of the housing of about 13 inches of 900 μm diameter optical fiber/in³ to about 15 inches of 900 μm diameter optical fiber/in³. Still further routing guides of further embodiments of the present invention include differently shaped and/or sized routing guides adapted to hold alternative lengths of optical fibers having alternative diameters.

Various embodiments of the present invention are adapted to include bend performance optical fibers. One example of bend performance optical fiber is a microstructured optical fiber having a core region and a cladding region surrounding the core region, the cladding region comprising an annular hole-containing region comprised of non-periodically disposed holes such that the optical fiber is capable of single mode transmission at one or more wavelengths in one or more operating wavelength ranges. The core region and cladding region provide improved bend resistance, and single mode operation at wavelengths preferably greater than or equal to 1500 nm, in some embodiments also greater than about 1310 nm, in other embodiments also greater than 1260 nm. The optical fibers provide a mode field at a wavelength of 1310 nm preferably greater than 8.0 microns, more preferably between about 8.0 and 10.0 microns. In preferred embodiments, optical fiber disclosed herein is thus single-mode transmission optical fiber.

In some embodiments of the present invention, the microstructured optical fibers disclosed herein comprises a core region disposed about a longitudinal centerline and a cladding region surrounding the core region, the cladding region comprising an annular hole-containing region comprised of non-periodically disposed holes, wherein the annular hole-containing region has a maximum radial width of less than 12 microns, the annular hole-containing region has a regional void area percent of less than about 30 percent, and the non-periodically disposed holes have a mean diameter of less than 1550 nm.

By “non-periodically disposed” or “non-periodic distribution”, it is meant that when one takes a cross-section (such as a cross-section perpendicular to the longitudinal axis) of the optical fiber, the non-periodically disposed holes are randomly or non-periodically distributed across a portion of the fiber. Similar cross sections taken at different points along the length of the fiber will reveal different cross-sectional hole patterns, i.e., various cross-sections will have different hole patterns, wherein the distributions of holes and sizes of holes do not match. That is, the holes are non-periodic, i.e., they are not periodically disposed within the fiber structure. These holes are stretched (elongated) along the length (i.e. in a direction generally parallel to the longitudinal axis) of the optical fiber, but do not extend the entire length of the entire fiber for typical lengths of transmission fiber.

For a variety of applications, it is desirable for the holes to be formed such that greater than about 95% of and preferably all of the holes exhibit a mean hole size in the cladding for the optical fiber which is less than 1550 nm, more preferably less than 775 nm, most preferably less than 390 nm. Likewise, it is preferable that the maximum diameter of the holes in the fiber be less than 7000 nm, more preferably less than 2000 nm, and even more preferably less than 1550 nm, and most preferably less than 775 nm. In some embodiments, the fibers disclosed herein have fewer than 5000 holes, in some embodiments also fewer than 1000 holes, and in other embodiments the total number of holes is fewer than 500 holes in a given optical fiber perpendicular cross-section. Of course, the most preferred fibers will exhibit combinations of these characteristics. Thus, for example, one particularly preferred embodiment of optical fiber would exhibit fewer than 200 holes in the optical fiber, the holes having a maximum diameter less than 1550 nm and a mean diameter less than 775 nm, although useful and bend resistant optical fibers can be achieved using larger and greater numbers of holes. The hole number, mean diameter, max diameter, and total void area percent of holes can all be calculated with the help of a scanning electron microscope at a magnification of about 800 \times and image analysis software, such as ImagePro, which is available from Media Cybernetics, Inc. of Silver Spring, Md., USA.

The optical fibers disclosed herein may or may not include germania or fluorine to also adjust the refractive index of the core and or cladding of the optical fiber, but these dopants can also be avoided in the intermediate annular region and instead, the holes (in combination with any gas or gases that may be disposed within the holes) can be used to adjust the manner in which light is guided down the core of the fiber. The hole-containing region may consist of undoped (pure) silica, thereby completely avoiding the use of any dopants in the hole-containing region, to achieve a decreased refractive index, or the hole-containing region may comprise doped silica, e.g. fluorine-doped silica having a plurality of holes.

In one set of embodiments, the core region includes doped silica to provide a positive refractive index relative to pure silica, e.g. germania doped silica. The core region is preferably hole-free. In some embodiments, the core region comprises a single core segment having a positive maximum refractive index relative to pure silica Δ_1 in %, and the single core segment extends from the centerline to a radius R1. In one set of embodiments, $0.30\% < \Delta_1 < 0.40\%$, and $3.0 \mu\text{m} < R1 < 5.0 \mu\text{m}$. In some embodiments, the single core segment has a refractive index profile with an alpha shape, where alpha is 6 or more, and in some embodiments alpha is 8 or more. In some embodiments, the inner annular hole-free region extends from the core region to a radius R2, wherein the inner annular hole-free region has a radial width W12, equal to $R2 - R1$, and W12 is greater than 1 μm . Radius R2 is preferably greater than 5 μm , more preferably greater than 6 μm . The intermediate annular hole-containing region extends radially outward from R2 to radius R3 and has a radial width W23, equal to $R3 - R2$. The outer annular region extends radially outward from R3 to radius R4. Radius R4 is the outermost radius of the silica portion of the optical fiber. One or more coatings may be applied to the external surface of the silica portion of the optical fiber, starting at R4, the outermost diameter or outermost periphery of the glass part of the fiber. The core region and the cladding region are preferably comprised of silica. The core region is preferably silica doped with one or more dopants. Preferably, the core region is hole-free. The hole-containing region

has an inner radius R2 which is not more than 20 μm . In some embodiments, R2 is not less than 10 μm and not greater than 20 μm . In other embodiments, R2 is not less than 10 μm and not greater than 18 μm . In other embodiments, R2 is not less than 10 μm and not greater than 14 μm . Again, while not being limited to any particular width, the hole-containing region has a radial width W23 which is not less than 0.5 μm . In some embodiments, W23 is not less than 0.5 μm and not greater than 20 μm . In other embodiments, W23 is not less than 2 μm and not greater than 12 μm . In other embodiments, W23 is not less than 2 μm and not greater than 10 μm .

Such fiber can be made to exhibit a fiber cutoff of less than 1400 nm, more preferably less than 1310 nm, a 20 mm macrobend induced loss at 1550 nm of less than 1 dB/turn, preferably less than 0.5 dB/turn, even more preferably less than 0.1 dB/turn, still more preferably less than 0.05 dB/turn, yet more preferably less than 0.03 dB/turn, and even still more preferably less than 0.02 dB/turn, a 12 mm macrobend induced loss at 1550 nm of less than 5 dB/turn, preferably less than 1 dB/turn, more preferably less than 0.5 dB/turn, even more preferably less than 0.2 dB/turn, still more preferably less than 0.01 dB/turn, still even more preferably less than 0.05 dB/turn, and a 8 mm macrobend induced loss at 1550 nm of less than 5 dB/turn, preferably less than 1 dB/turn, more preferably less than 0.5 dB/turn, and even more preferably less than 0.2 dB-turn, and still even more preferably less than 0.1 dB/turn.

The fiber of some embodiments of the present invention comprises a core region that is surrounded by a cladding region that comprises randomly disposed voids which are contained within an annular region spaced from the core and positioned to be effective to guide light along the core region. Other optical fibers and micro structured fibers may be used in the present invention. Additional features of the microstructured optical fibers of additional embodiments of the present invention are described more fully in pending U.S. patent application Ser. No. 11/583,098 filed Oct. 18, 2006, and provisional U.S. patent application Ser. Nos. 60/817,863 filed Jun. 30, 2006; 60/817,721 filed Jun. 30, 2006; 60/841,458 filed Aug. 31, 2006; and 60/841,490 filed Aug. 31, 2006; all of which are assigned to Corning Incorporated and the disclosures of which are incorporated by reference herein.

Many modifications and other embodiments of the invention set forth herein will come to mind to one skilled in the art to which the invention pertains having the benefit of the teachings presented in the foregoing descriptions and the associated drawings. Therefore, it is to be understood that the invention is not to be limited to the specific embodiments disclosed and that modifications and other embodiments are intended to be included within the scope of the appended claims. It is intended that the present invention cover the modifications and variations of this invention provided they come within the scope of the appended claims and their equivalents. Although specific terms are employed herein, they are used in a generic and descriptive sense only and not for purposes of limitation.

The invention claimed is:

[1.] A fiber optic splitter module for optically connecting at least one input optical fiber and a plurality of output optical fibers, the splitter module comprising:

- a housing having at least one opening therethrough, wherein the opening defines an opening axis generally orthogonal to the opening; and
- a splitter within the housing, wherein the input optical fiber is optically connected to the plurality of output

19

optical fibers by the splitter, wherein the splitter defines a splitter axis generally aligned with the input optical fiber and the plurality of output optical fibers; wherein the splitter axis is generally orthogonal to the opening axis; and

wherein the splitter module defines a density of output optical fiber splits per unit of volume of the housing of at least 5 splits/in³.]

[2. A splitter module according to claim 1, wherein the input optical fiber and the plurality of output optical fibers are routed within the housing generally without a slack loop.]

[3. A fiber optic splitter module for optically connecting at least one input optical fiber and a plurality of output optical fibers, the splitter module comprising:

a housing having at least one opening therethrough, wherein the opening defines an opening axis generally orthogonal to the opening; and

a splitter within the housing, wherein the input optical fiber is optically connected to the plurality of output optical fibers by the splitter, wherein the splitter defines a splitter axis generally aligned with the input optical fiber and the plurality of output optical fibers;

wherein the splitter axis is generally orthogonal to the opening axis; and

wherein the splitter module defines a density of output optical fiber splits per unit of volume of the housing from about 4 splits/in³ to about 10 splits/in³.]

[4. A fiber optic splitter module for optically connecting at least one input optical fiber and a plurality of output optical fibers, the splitter module comprising:

a housing having at least one opening therethrough, wherein the opening defines an opening axis generally orthogonal to the opening; and

a splitter within the housing, wherein the input optical fiber is optically connected to the plurality of output optical fibers by the splitter, wherein the splitter defines a splitter axis generally aligned with the input optical fiber and the plurality of output optical fibers;

wherein the splitter axis is generally orthogonal to the opening axis; and

wherein at least one optical fiber of the plurality of output optical fibers comprises a microstructured optical fiber comprising a core region and a cladding region surrounding the core region, the cladding region comprising an annular hole-containing region comprised of non-periodically disposed holes.]

[5. A splitter module according to claim 4, wherein the microstructured fiber has an 8 mm macrobend induced loss at 1550 nm of less than 0.2 dB/turn.]

[6. A splitter module according to claim 1, wherein at least one optical fiber of the plurality of output optical fibers

20

comprises a microstructured optical fiber comprising a core region and a cladding region surrounding the core region, the cladding region comprising an annular hole-containing region comprised of non-periodically disposed holes.]

[7. A splitter module according to claim 6, wherein the microstructured fiber has an 8 mm macrobend induced loss at 1550 nm of less than 0.2 dB/turn.]

[8. A splitter module according to claim 3, wherein the input optical fiber and the plurality of output optical fibers are routed within the housing generally without a slack loop.]

[9. A splitter module according to claim 3, wherein at least one optical fiber of the plurality of output optical fibers comprises a microstructured optical fiber comprising a core region and a cladding region surrounding the core region, the cladding region comprising an annular hole-containing region comprised of non-periodically disposed holes.]

[10. A splitter module according to claim 9, wherein the microstructured fiber has an 8 mm macrobend induced loss at 1550 nm of less than 0.2 dB/turn.]

[11. A splitter module according to claim 4, wherein the input optical fiber and the plurality of output optical fibers are routed within the housing generally without a slack loop.]

12. *A fiber optic splitter module comprising:*

a housing having a volume; and

a splitter within the housing, wherein an input optical fiber is optically connected to a plurality of output optical fibers by the splitter, wherein said input optical fiber and said output fibers have bend performance such that with a macrobend of 8 mm to 12 mm the induced loss at a wavelength of 1550 nm is less than 1 dB/turn, and wherein the splitter module defines a density of output optical fiber splits per unit of volume of the housing from about 4 splits/in³ to about 10 splits/in³.

13. *The fiber optic splitter module of claim 12, wherein the induced loss is less than 0.5 dB/turn.*

14. *The fiber optic splitter module of claim 12, wherein the induced loss is less than 0.2 dB/turn.*

15. *The fiber optic splitter module of claim 12, wherein the induced loss is less than 0.05 dB/turn.*

16. *The fiber optic splitter module of claim 12, wherein the induced loss is less than 0.01 dB/turn.*

17. *The fiber optic splitter module of claim 12, wherein the housing has at least one opening therethrough, wherein the opening defines an opening axis orthogonal to the opening.*

18. *The fiber optic splitter module of claim 17, wherein the splitter defines a splitter axis that is not aligned with the opening axis.*

* * * * *

UNITED STATES PATENT AND TRADEMARK OFFICE
CERTIFICATE OF CORRECTION

PATENT NO. : RE46,525 E
APPLICATION NO. : 14/028338
DATED : August 29, 2017
INVENTOR(S) : Guy Castonguay et al.

Page 1 of 1

It is certified that error appears in the above-identified patent and that said Letters Patent is hereby corrected as shown below:

On the Title Page

On the page 3, in item (56), in Column 1, under "Other Publications", Line 13, delete "Termial"," and insert -- Terminal", --.

On the page 3, in item (56), in Column 2, under "Other Publications", Line 69, delete "Applicaion" and insert -- Application --.

Signed and Sealed this
Seventh Day of February, 2023
Katherine Kelly Vidal

Katherine Kelly Vidal
Director of the United States Patent and Trademark Office