

US00RE46516E

(19) **United States**
(12) **Reissued Patent**
Bryant

(10) **Patent Number:** **US RE46,516 E**
(45) **Date of Reissued Patent:** **Aug. 22, 2017**

(54) **WELL PACK LIGHT FIXTURE**

(71) Applicant: **Cooper Technologies Company**,
Houston, TX (US)

(72) Inventor: **Christopher Michael Bryant**, Social
Circle, GA (US)

(73) Assignee: **Cooper Technologies Company**,
Houston, TX (US)

(21) Appl. No.: **29/555,474**

(22) Filed: **Feb. 22, 2016**

Related U.S. Patent Documents

Reissue of:

(64) Patent No.: **Des. 668,810**
Issued: **Oct. 9, 2012**
Appl. No.: **29/406,180**
Filed: **Nov. 10, 2011**

U.S. Applications:

(63) Continuation of application No. 29/504,562, filed on
Oct. 7, 2014, now Pat. No. Re. 45,893, which is an
(Continued)

(51) **LOC (10) Cl.** **26-03**

(52) **U.S. Cl.**
USPC **D26/85**

(58) **Field of Classification Search**
USPC D26/72, 85, 87, 92; 362/147, 404, 405,
362/406, 407, 408, 432

(Continued)

(56) **References Cited**

U.S. PATENT DOCUMENTS

2,732,484 A 1/1956 Lipscomb
3,047,716 A 7/1962 Hoxie et al.

(Continued)

OTHER PUBLICATIONS

Lighting Science; Wallpak ; product specification sheet; Nov. 2010.

(Continued)

Primary Examiner — Phillip S Hyder

(74) *Attorney, Agent, or Firm* — King & Spalding LLP

(57) **CLAIM**

The ornamental design for a wall pack light fixture, as
shown and described.

DESCRIPTION

This application is a continuation reissue application of and
claims priority to U.S. patent application Ser. No. 29/504,
562, filed on Oct. 7, 2014, and titled "Wall Pack Light
Fixture," which is a reissue application of and claims
priority to U.S. patent application Ser. No. 29/406,180, filed
on Nov. 10, 2011, titled "Wall Pack Light Fixture," and
issued as U.S. Pat. No. D668,810 on Oct. 9, 2012, which is
a continuation of and claims priority under 35 U.S.C. §120
to U.S. Design application Ser. No. 29/389,912, titled "Wall
Pack Light Fixture" and filed Apr. 18, 2011, [the] which
issued as U.S. Pat. No. D650,112 on Dec. 6, 2011. The entire
contents of [which] the foregoing applications are hereby
incorporated herein by reference.

More than one reissue application has been filed for the
reissue of U.S. Pat. No. D668,810. In addition to the present
continuation reissue application, U.S. patent application
Ser. No. 29/504,562 is a reissue application of U.S. Pat. No.
D668,810.

FIG. 1 is a perspective view of a wall pack light fixture,
showing my new design;

FIG. 2 is another perspective view thereof;

FIG. 3 is a front view thereof;

FIG. 4 is a left side view thereof;

FIG. 5 is a right side view thereof;

FIG. 6 is a top plan view thereof; and,

FIG. 7 is a bottom plan view thereof.

The broken lines shown represent unclaimed subject matter
and form no part of the claimed design.

1 Claim, 7 Drawing Sheets

**Matter enclosed in heavy brackets [] appears in the
original patent but forms no part of this reissue; matter
printed in italics indicates the additions made by reissue.**

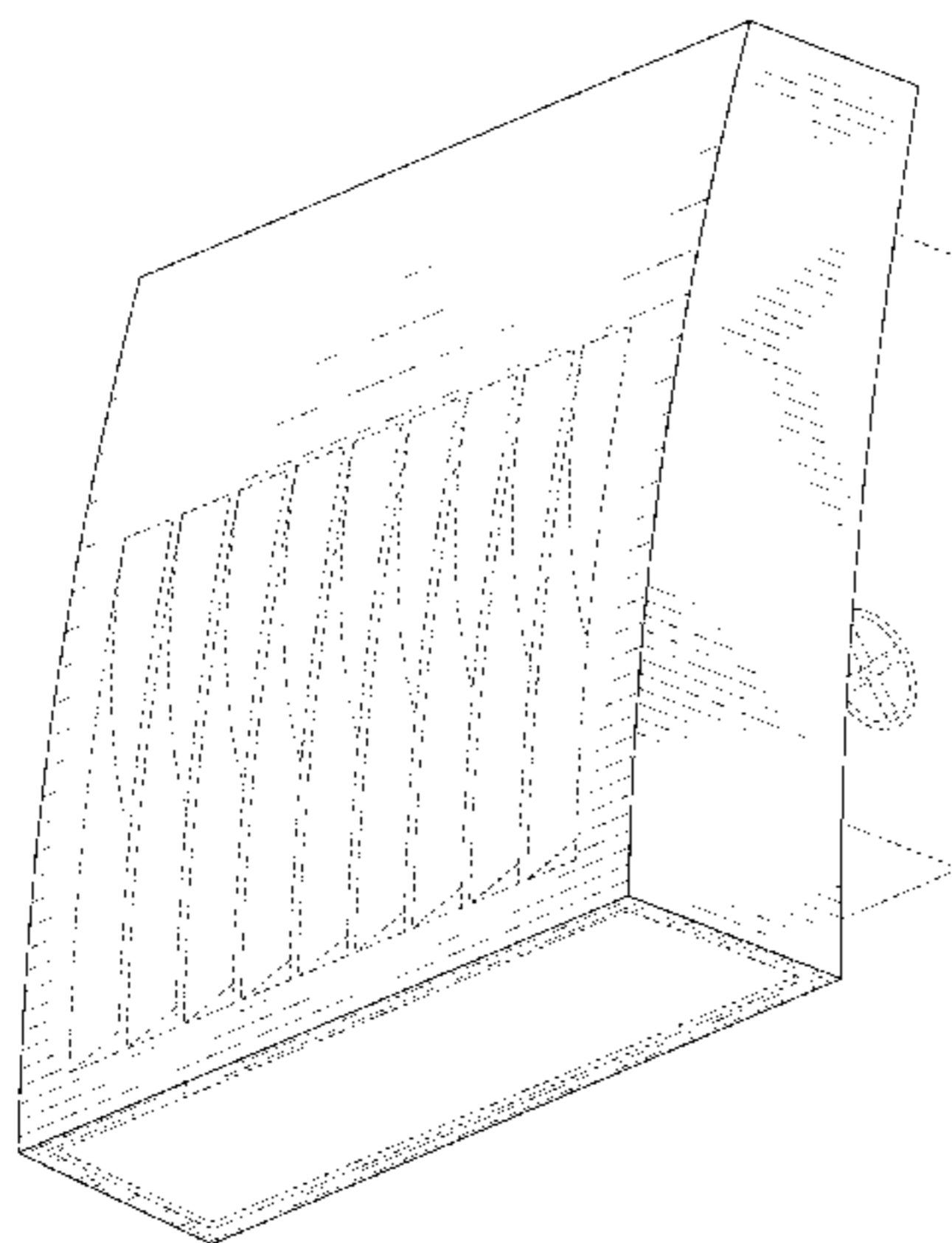


FIG. 1

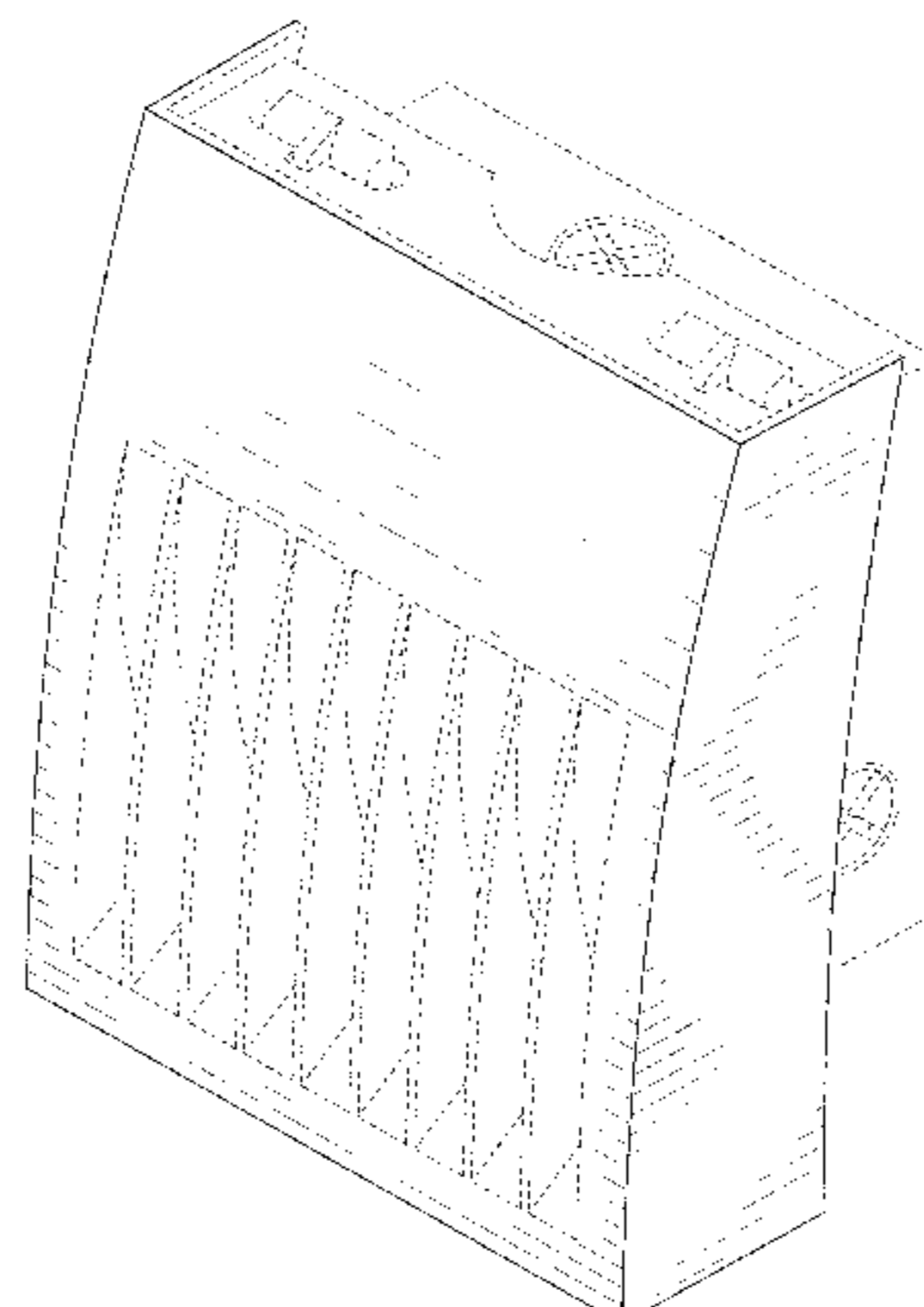


FIG. 2

Related U.S. Application Data

application for the reissue of Pat. No. Des. 668,810, which is a continuation of application No. 29/389,912, filed on Apr. 18, 2011, now Pat. No. Des. 650,112.

(58) **Field of Classification Search**

CPC .. F21S 8/003; F21V 1/18; F21V 8/003; F21V 8/024

See application file for complete search history.

(56) **References Cited**

U.S. PATENT DOCUMENTS

D203,060	S	11/1965	Schaefer	
3,263,071	A	7/1966	Fabbri	
D228,667	S	10/1973	Anderson	
D248,184	S	6/1978	Roberts	
D285,258	S	8/1986	Hamasaki	
D287,646	S	1/1987	Ayukawa	
D289,087	S	3/1987	Kobata	
D380,853	S	7/1997	Johnson	
D415,305	S	10/1999	Putman	
D421,816	S	3/2000	Gongora et al.	
D456,932	S	5/2002	Crosby	
D465,050	S	10/2002	Crelin	
D499,834	S	12/2004	Yu et al.	
D527,134	S	8/2006	Bagen	
D544,991	S	6/2007	Guercio	
D553,789	S *	10/2007	Akinrele	D26/118
D562,491	S *	2/2008	DiCola	D26/85
D574,995	S	8/2008	Boyer	
D577,146	S *	9/2008	Haugaard	D26/118
D579,141	S	10/2008	Guercio	
D579,144	S	10/2008	Wnek et al.	
D590,088	S *	4/2009	Dworschak	D26/85
D590,983	S *	4/2009	Sabernig	D26/85
D595,447	S *	6/2009	Purcell	D26/85

D608,040	S	1/2010	Guercio	
D609,387	S *	2/2010	Compton	D26/85
D610,296	S *	2/2010	Boissevain et al.	D26/85
D612,975	S *	3/2010	Guercio et al.	D26/85
D617,491	S *	6/2010	Dordoni	D26/85
D626,271	S	10/2010	Verelst	
D634,873	S	3/2011	Guercio	
D634,878	S	3/2011	Guercio et al.	
D643,147	S *	8/2011	Guercio	D26/118
D643,571	S	8/2011	Chen	
D644,370	S *	8/2011	Lickiss	D26/85
D647,662	S *	10/2011	Verelst et al.	D26/85
D650,112	S *	12/2011	Bryant	D26/85
D653,377	S	1/2012	Guercio	
D658,803	S	5/2012	Maxik et al.	
D659,895	S *	5/2012	Maxik	D26/118
D678,596	S	3/2013	Bryant	
D691,320	S *	10/2013	Guercio	D26/118
D695,445	S	12/2013	Panchisin et al.	
D698,986	S	2/2014	Reynolds	
D699,386	S	2/2014	Park et al.	
D699,887	S	2/2014	Chen	
D707,385	S	6/2014	Wardenburg et al.	
D714,992	S *	10/2014	Bryant	D26/118

OTHER PUBLICATIONS

Press Release, RAB Lighting, Feb. 9, 2010, RAB Lighting launches 20W LED Wallpack for out-door use.
 RAB Lighting. WPLED52 Series Installation Instructions. P.1-2. www.rabweb.com; 2011; in Sep. 11, 2015 Office Action for U.S. Appl. No. 14/749,263.
 RAB Lighting, The New LPACK52, Specification Sheet, in Sep. 11, 2015 Office Action for U.S. Appl. No. 14/749,263.
 Press Release, RAB Lighting, Oct. 12, 2010, RAB LPACK13 Makes the Switch to LED Even Easier.
 Press Release, RAB Lighting, Dec. 23, 2009, RAB Lighting Introduces new LED Wallpack.

* cited by examiner

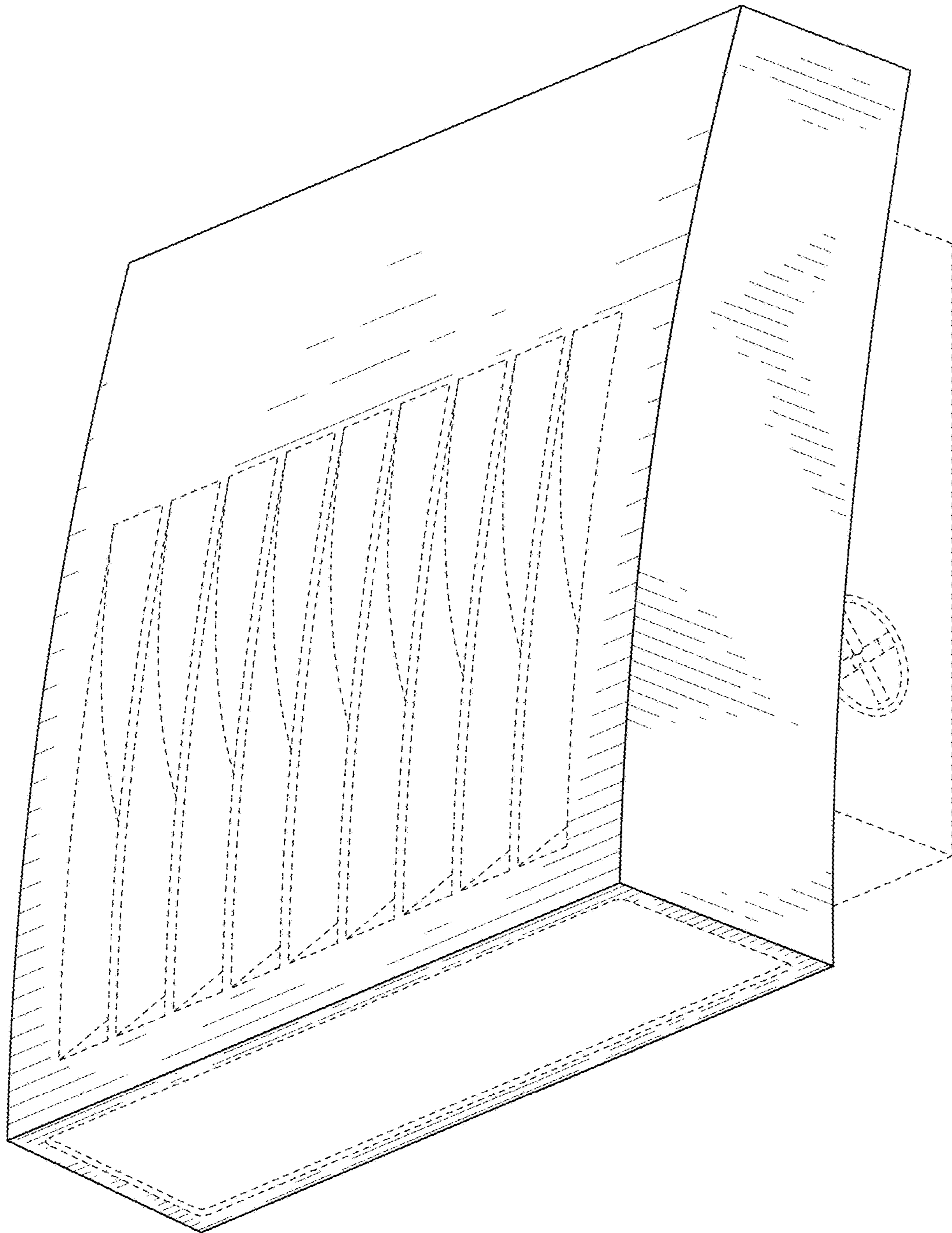


FIG. 1

AMENDED

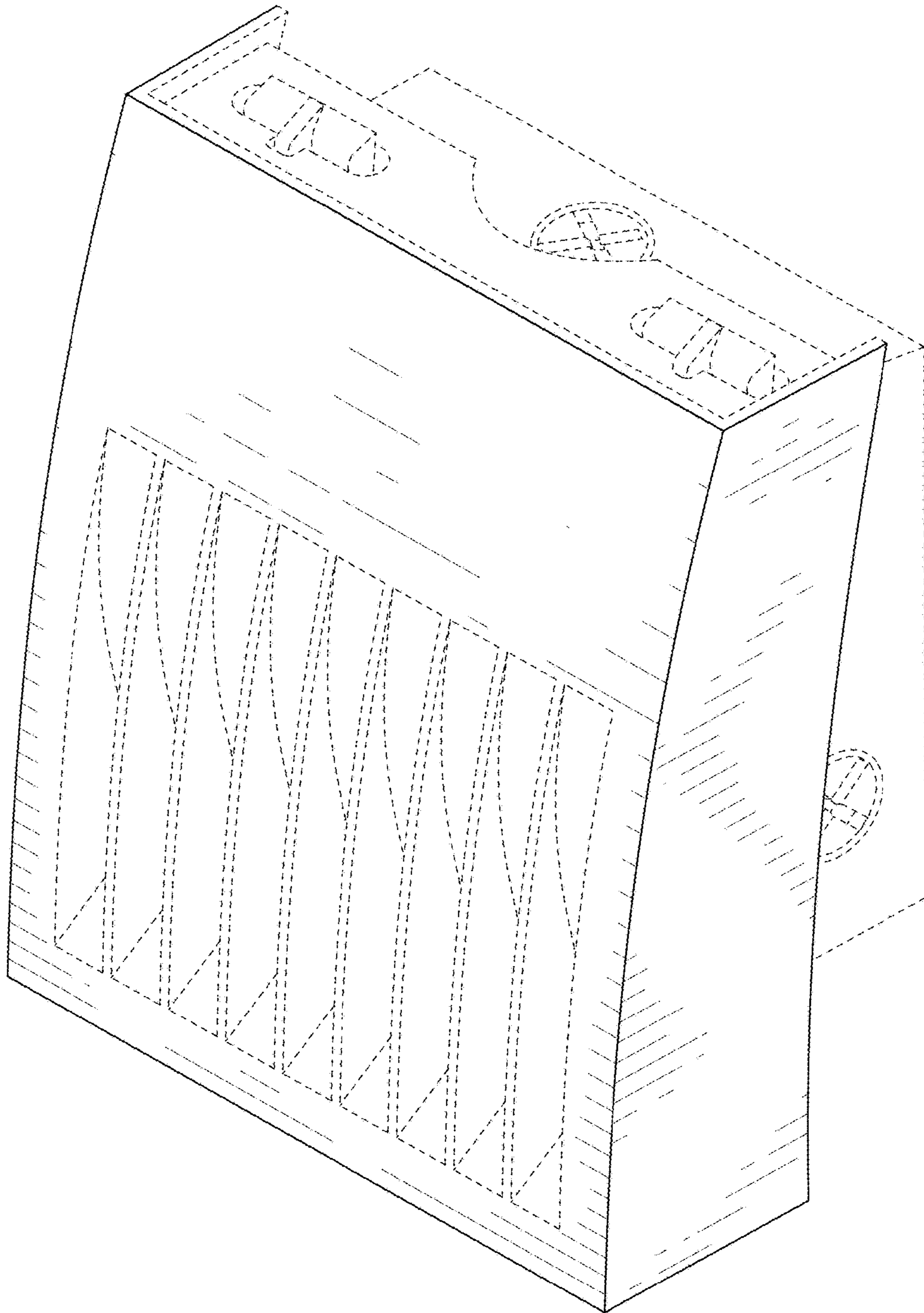


FIG. 2
AMENDED

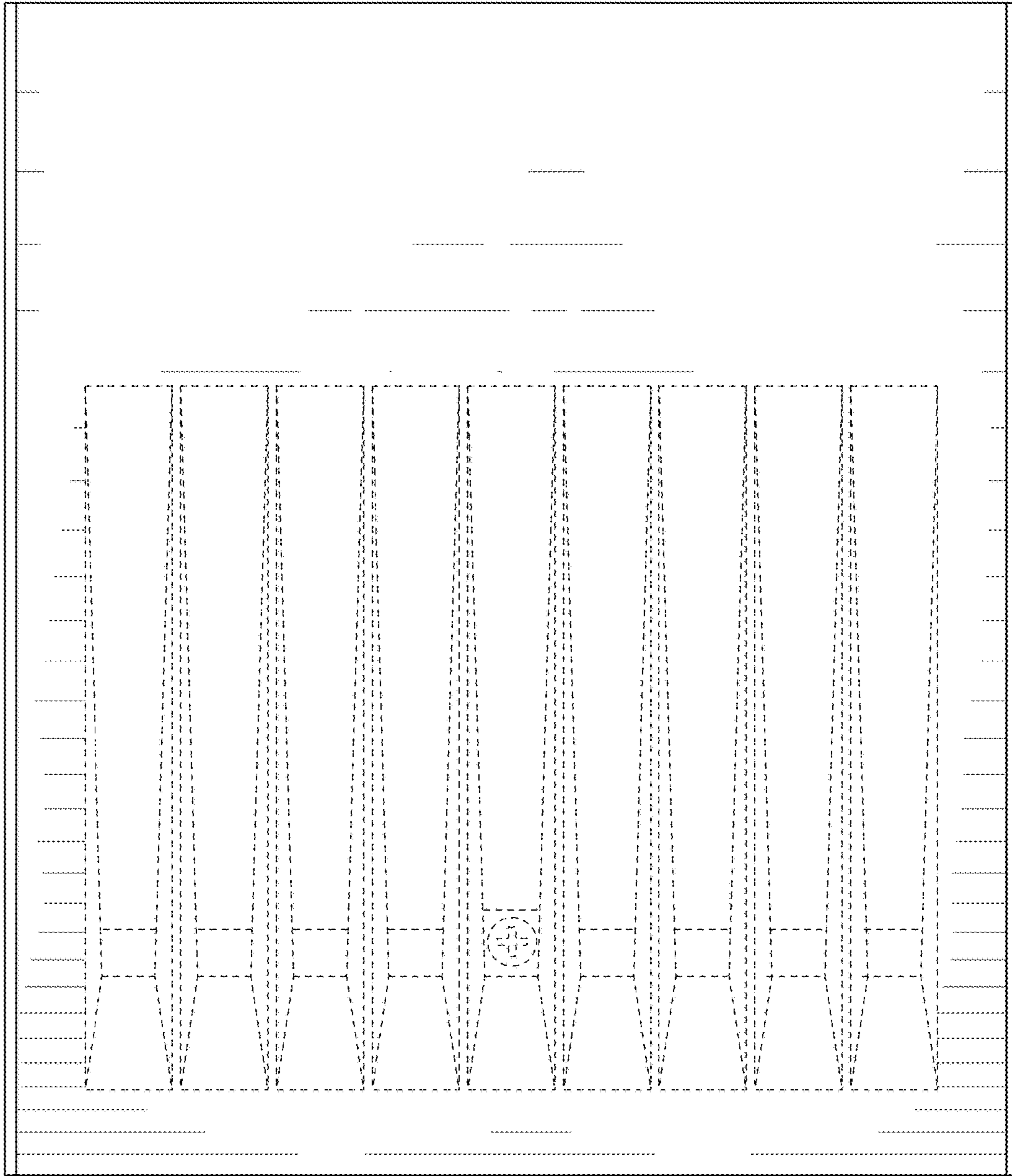


FIG. 3

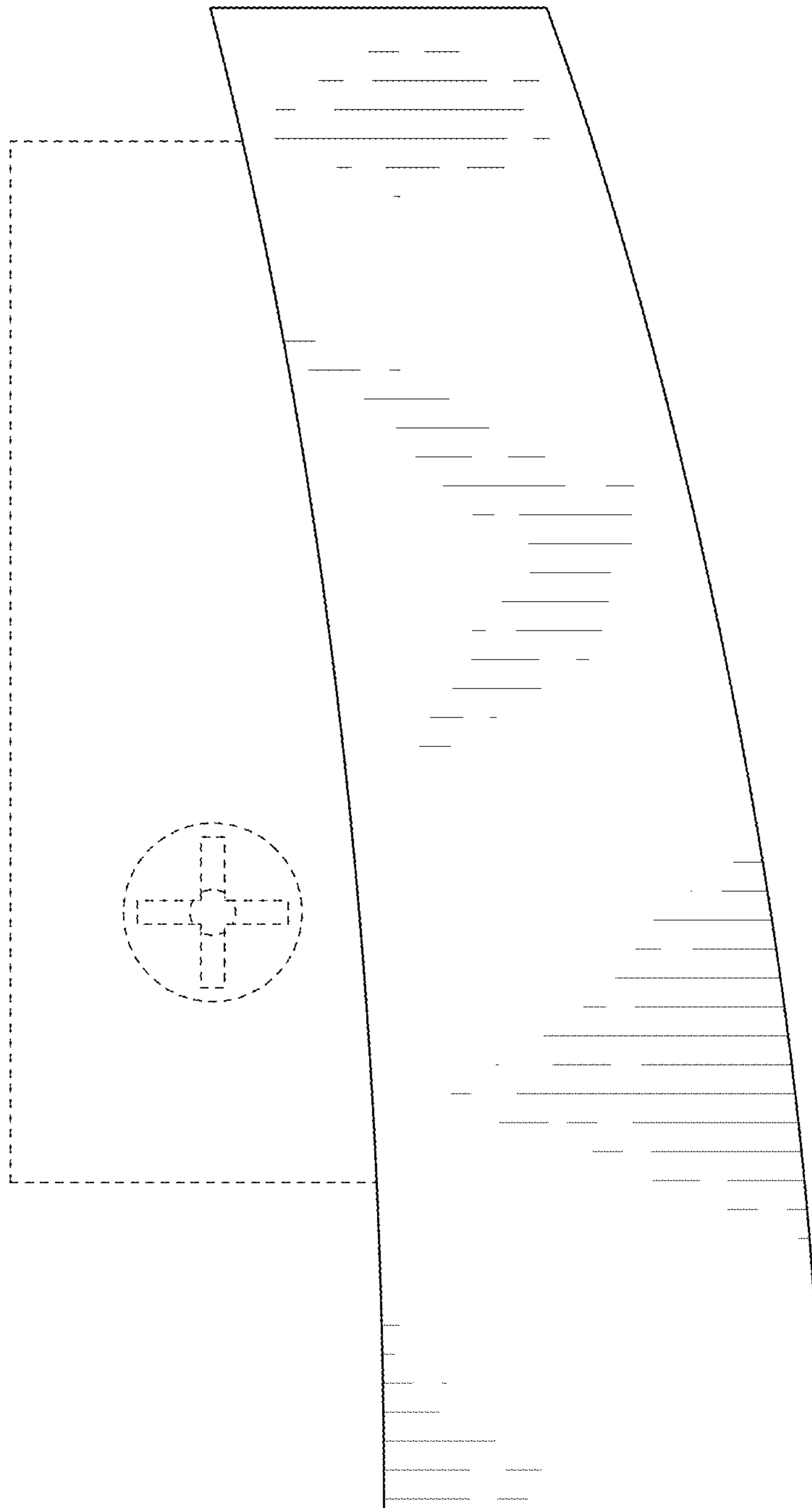


FIG. 4
AMENDED

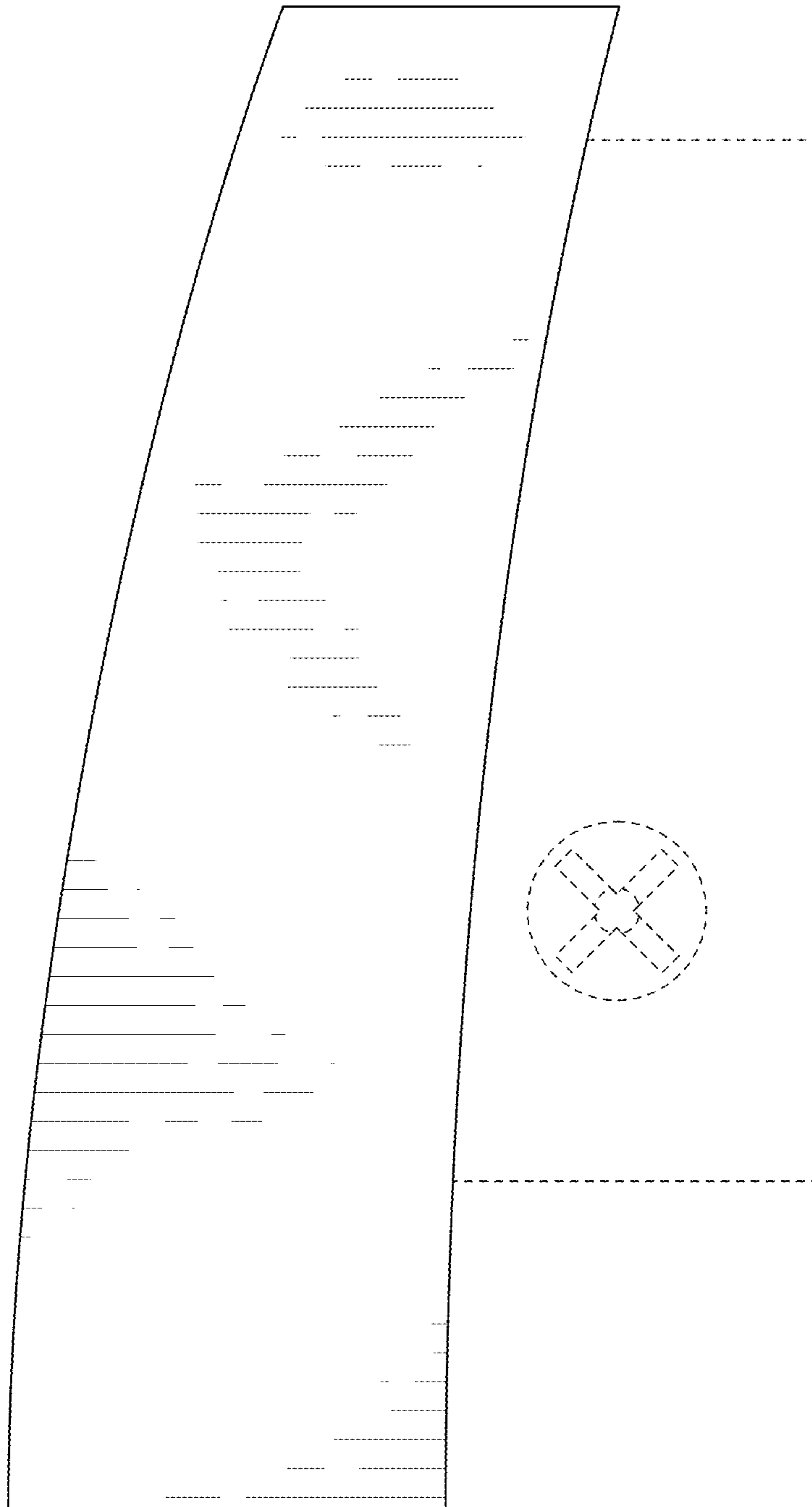


FIG. 5

AMENDED

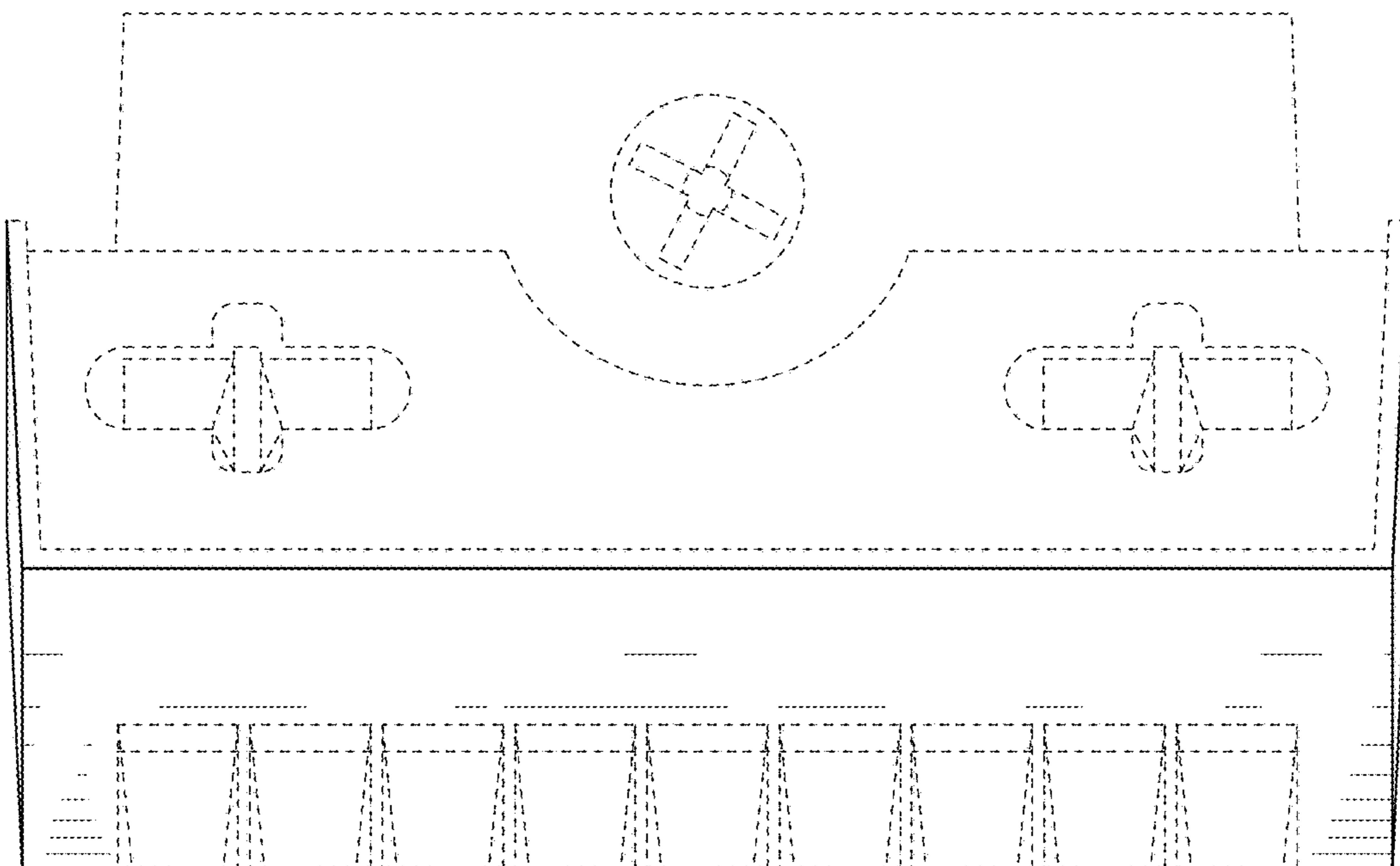


FIG. 6

AMENDED



FIG. 7

AMENDED