

US00RE46484E

(19) **United States**
(12) **Reissued Patent**
Hanna

(10) **Patent Number:** **US RE46,484 E**
(45) **Date of Reissued Patent:** **Jul. 25, 2017**

(54) **PLUMBING FITTING**

DESCRIPTION

(75) Inventor: **Ken S. Hanna**, Kohler, WI (US)

(73) Assignee: **KOHLER CO.**, Kohler, WI (US)

(21) Appl. No.: **29/424,137**

(22) Filed: **Jun. 7, 2012**

Related U.S. Patent Documents

Reissue of:

(64) Patent No.: **Des. 617,424**
Issued: **Jun. 8, 2010**
Appl. No.: **29/343,608**
Filed: **Sep. 16, 2009**

(51) **LOC (10) Cl.** **23-01**

(52) **U.S. Cl.**
USPC **D23/252**

(58) **Field of Classification Search**
USPC D23/250, 252, 254, 238, 241, 242;
D8/308; 16/110.1; 137/801; 4/676, 677,
4/678

See application file for complete search history.

(56) **References Cited**

U.S. PATENT DOCUMENTS

D290,869 S 7/1987 Paul
D316,591 S 4/1991 Ragonot
(Continued)

OTHER PUBLICATIONS

American Standard. "Moments". Lavatories with various configurations. Labeled Exhibit 31. date unknown, 1 page.

(Continued)

Primary Examiner — Phillip S Hyder

(74) *Attorney, Agent, or Firm* — Foley & Lardner LLP

(57) **CLAIM**

The ornamental design for a plumbing fitting, as shown and described.

Notice: More than one reissue application has been filed for the reissue of Pat. No. D617,424. Application Ser. No. 29/476,353, filed Dec. 12, 2013, is a reissue divisional of application Ser. No. 29/424,137 (the present application), filed Jun. 7, 2012, which is an application for reissue of U.S. Pat. No. D617,424.

FIG. 1 is a right, top, front perspective view of a plumbing fitting according to my new design;

FIG. 2 is a right side elevational view thereof, the left side elevational view thereof being a mirror image of the right side shown;

FIG. 3 is a front elevational view thereof;

FIG. 4 is a rear elevational view thereof;

FIG. 5 is a top plan view thereof; [and,]

FIG. 6 is a bottom plan view thereof[.];

FIG. 7 is a right, top, front perspective view of a plumbing fitting according to another embodiment of my new design;

FIG. 8 is a right side elevational view thereof, the left side elevational view thereof being a mirror image of the right side shown;

FIG. 9 is a front elevational view thereof;

FIG. 10 is a rear elevational view thereof;

FIG. 11 is a top plan view thereof; and,

FIG. 12 is a bottom plan view thereof.

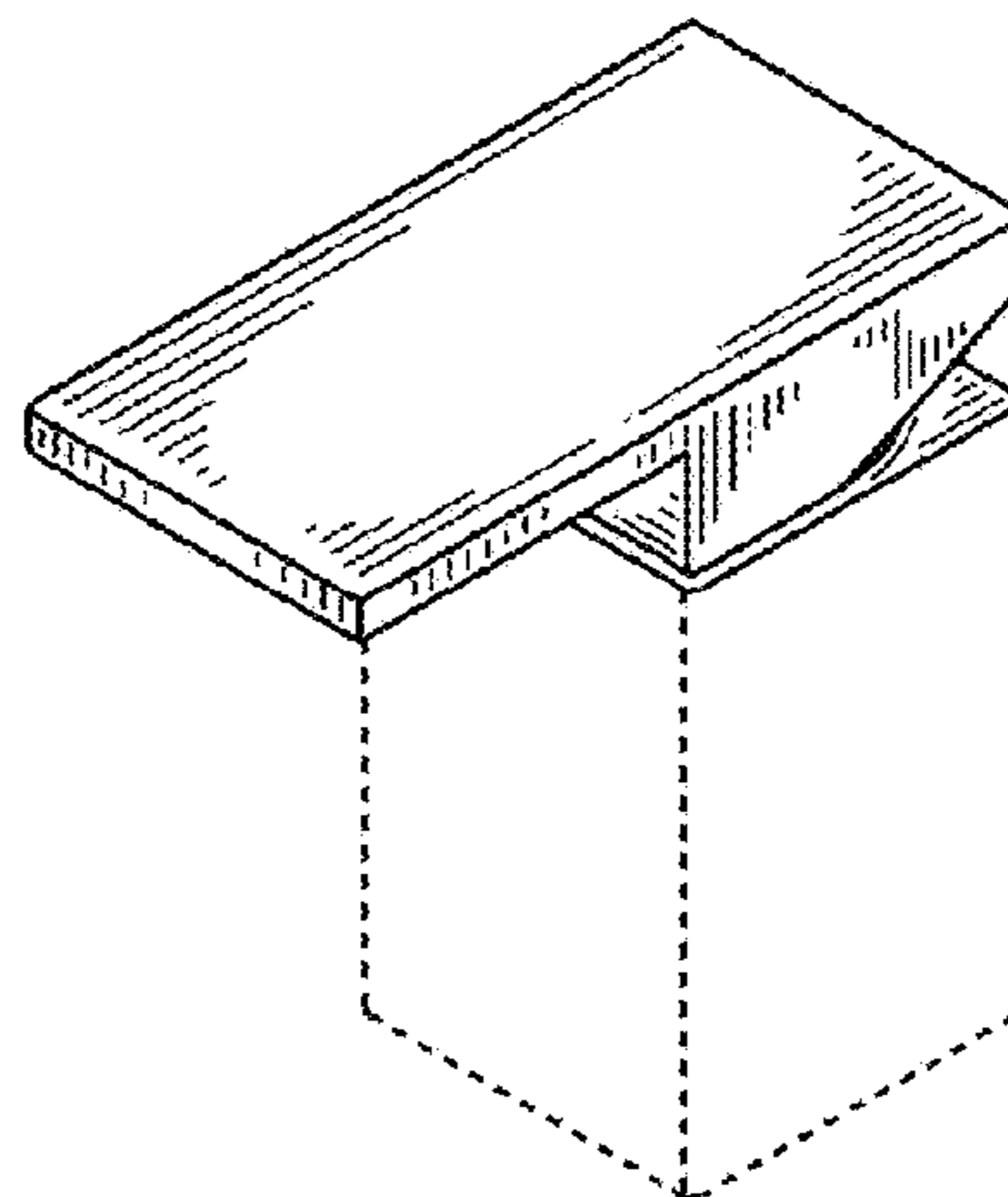
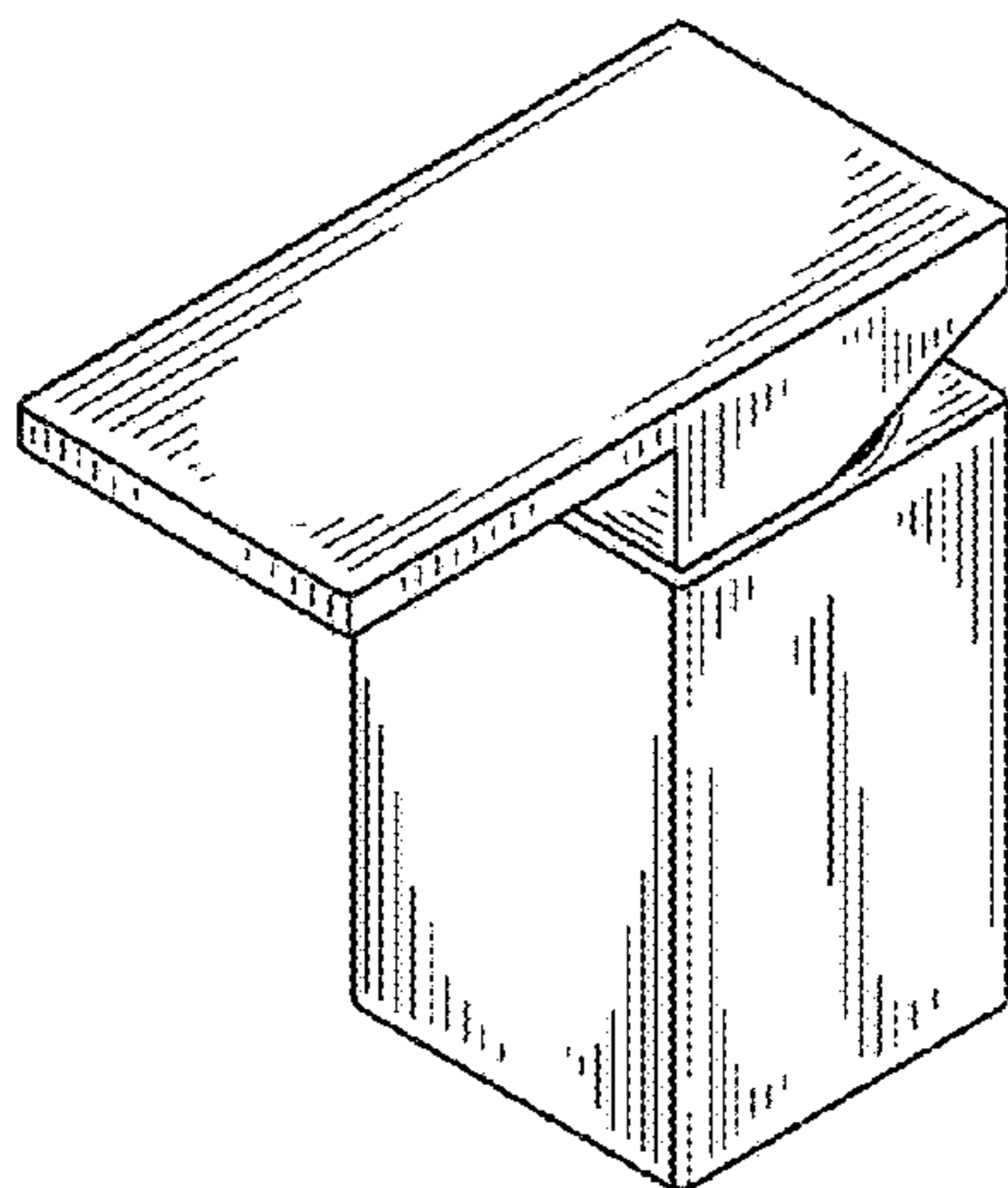
[The broken line representations in the figures are for the purpose of illustration only, and form no part of the claimed design.]

The broken lines depict portions of the plumbing fitting in which the design is embodied that are not considered part of the claimed design.

In a preferred embodiment, the nature of this product is a plumbing fitting, such as a faucet control for a shower and/or bath.

1 Claim, 4 Drawing Sheets

Matter enclosed in heavy brackets [] appears in the original patent but forms no part of this reissue; matter printed in italics indicates the additions made by reissue.



NEW

(56)

References Cited

U.S. PATENT DOCUMENTS

D478,966 S	8/2003	Citterio	
D494,254 S	8/2004	Citterio	
D495,780 S	9/2004	Aubry et al.	
D503,217 S	3/2005	Aubry et al.	
D512,484 S	12/2005	Paini	
D517,169 S *	3/2006	Ogata	D23/238
D522,092 S	5/2006	Hoernig	
D532,084 S *	11/2006	Toyohara	D23/238
D536,065 S	1/2007	Wang	
D541,906 S *	5/2007	Qing	D23/238
D548,308 S *	8/2007	Hoernig	D23/238
D556,863 S *	12/2007	Demmer	D23/235
D557,383 S	12/2007	Garner	
D568,967 S *	5/2008	Williams et al.	D23/250
D573,231 S *	7/2008	Kulig	D23/242
D579,521 S *	10/2008	Kulig	D23/238
D583,905 S	12/2008	Oh	
D590,050 S *	4/2009	Miyamoto	D23/255
D596,711 S *	7/2009	Sieger	D23/238
D602,121 S	10/2009	Yabe et al.	
D605,256 S	12/2009	Flowers et al.	
D611,575 S	3/2010	Schoenherr et al.	
D615,162 S	5/2010	Pan	
D617,424 S	6/2010	Hanna	
D626,632 S	11/2010	Hanna et al.	
D635,223 S	3/2011	Sandee et al.	

OTHER PUBLICATIONS

Brizo. "Loki". Single control lavatory. Labeled Exhibit 30. date unknown, 1 page.

Colourwash.co.uk. "Tango Taps". Labeled Exhibit 1. Colourwash.co.uk catalog. date unknown, 1 page.

Danze. "Sirius Two Handle Lavatory Faucet". Model No. D301444. Labeled Exhibit 8. HomePortfolio.com online catalog. Copyright 1997-2008 HomePortfolio Inc., 1 page.

Danze. "Shower Mixer". Labeled Exhibit 1. Danze.com. retrieved Nov. 24, 2008, 1 page.

Danze. "Shower Mixer". Labeled Exhibit 2. Danze.com. retrieved Nov. 24, 2008, 1 page.

Danze. "Sirius". Lavatory (various configurations). Labeled Exhibit 9. date unknown, 1 page.

Delta. "Urban Collection—Arzo". Single control and widespread faucets. Labeled Exhibit 24. date unknown, 1 page.

Dornbracht. "Lot" Series. Labeled Exhibit 3. Dornbracht catalog, date unknown, 1 page.

Dornbracht. "Lulu". Single level lavatory and single lever vessel tall (and alternative configurations). "MEM". Single lever lavatory and alternative configurations. Labeled Exhibits 3-4. date unknown, 3 pages.

Dornbracht. "Tara". Single control lav and widespread valve (and various configurations). Labeled Exhibit 14. date unknown, 2 pages.

Gessi Rettangolo. Lavatories with various configurations. Labeled Exhibit 25. date unknown, 1 page.

Grohe. "Allure". Lavatory with various configurations. "Lineare". Lavatory. Labeled Exhibits 15-16. date unknown, 1 page.

Hansgrohe. "Hansgrohe Freestanding Tub Filler", Model No. 39451001. Labeled Exhibit 3. eFaucets.com online catalog, Copyright 2003-2008 eImprovement.com, 1 page.

Hansgrohe. "Axor Citterio M". Single-hole faucet and widespread. "Axor Citterio". Lav mixer and widespread. Labeled Exhibits 17-18. date unknown, 1 page.

Hansgrohe. "Massaud". Single control and widespread. "Axor Starck". Lav mixer and sheet flow spout. Labeled Exhibits 5-6. date unknown, 1 page.

Hastings Bath Collection. "Riviera 3 Hole Basin Set—Ribbon Spout". Model No. Fan C 4204. Labeled Exhibit 4. HomePortfolio.com online catalog. Copyright 1997-2008 HomePortfolio Inc., 1 page.

Hastings Tile & Bath. "Plano In-Wall". Labeled Exhibit 2. HastingsTileBath.com online catalog. retrieved May 14, 2010, 1 page.

Hastings Tile & Bath. "Plano Shower". Labeled Exhibit 1. HastingsTileBath.com online catalog. retrieved May 14, 2010, 1 page.

Hastings. "Fantini—Riviera Ribbon". Widespread sink faucet. Labeled Exhibit 13. date unknown, 1 page.

Hastings. "Plano". Lavatory. Labeled Exhibit 32. date unknown, 1 page.

Jado. "Glance". Single control lav and widespread. Labeled Exhibit 8. date unknown, 1 page.

Kohler co. "Margaux® single-control lavatory faucet", Model No. K-16230-4. Labeled Exhibit 2. Kohler Co. online catalog, Copyright 2008, 1 page.

KWC. "Qbix / Qbix Art". Lavatories with various configurations. Labeled Exhibit 29. date unknown, 1 page.

Lacava. "Waterblade". Single control lav (various configurations). Labeled Exhibit 10. date unknown, 1 page.

Moen Showhouse. "Destiny". Single control lavatory. "Solace". Single and widespread lavatories. Labeled Exhibits 27-28. date unknown, 1 page.

Moen Showhouse. "Level". Single control and widespread configurations. Labeled Exhibit 26. date unknown, 1 page.

Newform. "E-go-n". Lavatory (various configurations). "Base". Lavatory. Labeled Exhibits 11-12. date unknown, 1 page.

Newform. Lavatories (various configurations). Labeled Exhibit 33. date unknown, 1 page.

Notice of Allowance on U.S. Appl. No. 29/343,608, mail date Feb. 17, 2010, 4 pages.

Notice of Allowance on U.S. Appl. No. 29/346,309, mail date Jun. 16, 2010, 4 pages.

Notice of Allowance on U.S. Appl. No. 29/350,460, mail date Jul. 12, 2010, 5 pages.

Notice of Allowance on U.S. Appl. No. 29/351,340, mail date Jun. 23, 2010, 7 pages.

Notice of Allowance on U.S. Appl. No. 29/354,791, mail date Dec. 3, 2010, 5 pages.

Oversized replica of computer gaming joystick. Labeled Exhibit 6. date unknown, 1 page.

Toto. "Soiree Single-Handle Lavatory Faucet". Model No. TL960SD. Labeled Exhibit 2. FixtureUniverse.com online catalog, Copyright 1999-2008, Allied Trade Group, Inc., 1 page.

Toto. "Lloyd". Widespread lavatory faucet. "Soiree". Widespread lavatory faucet. "Renesse". Single control and widespread lav (various configurations). Labeled Exhibits 19-21. date unknown, 1 page.

WS Bath Collections, "Hydrus 01-02—Basin (deck) Faucet—solid massive stainless steel". Labeled Exhibit 7. HomePortfolio.com online catalog. Copyright 1997-2008 HomePortfolio Inc., 1 page.

Zuchetti Aguablu. zut.za5432 ws and alternative configurations. Labeled Exhibit 7. date unknown, 1 page.

Zuchetti. "Soft". Lavatory. "Wosh". Lavatory. Labeled Exhibits 22-23. date unknown, 1 page.

SignatureHardware. "Whittington Collection—Flat Cubic Roman Tub Faucet". SignatureHardware.com online catalog. Copyright 1989-2008 SignatureHardware.com or its affiliates. Oversized joystick.

* cited by examiner

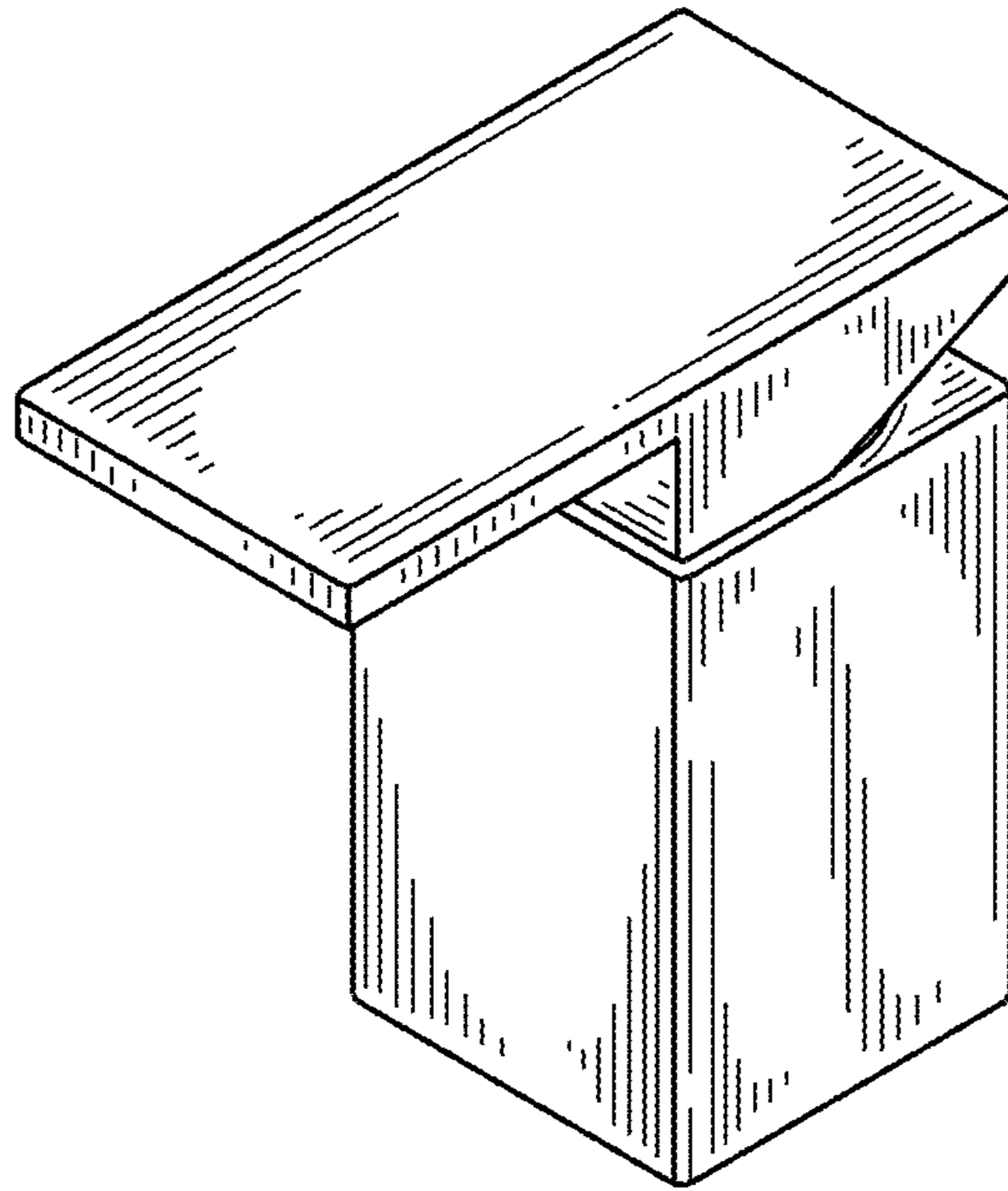


FIG. 1

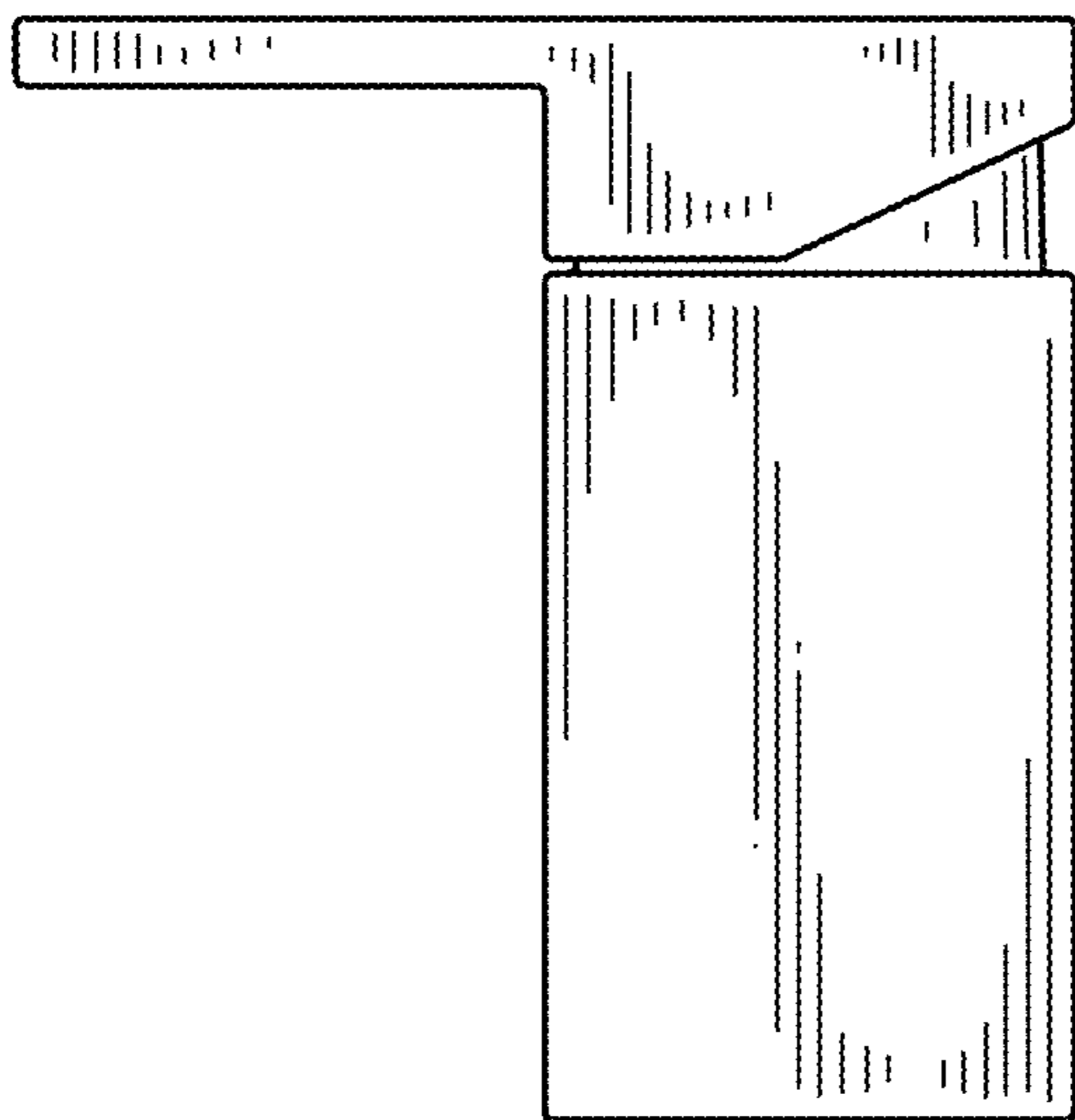


FIG. 2

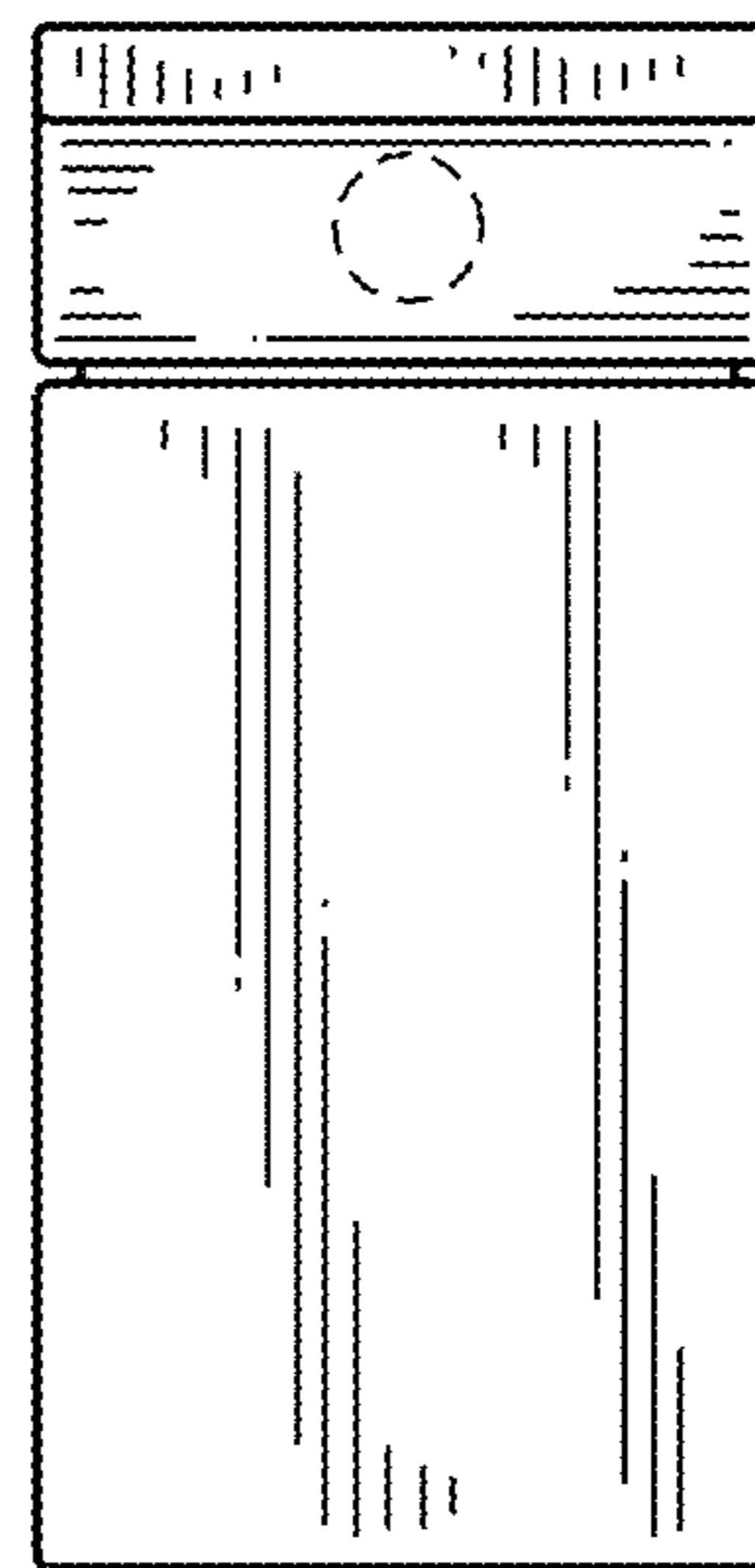


FIG. 3

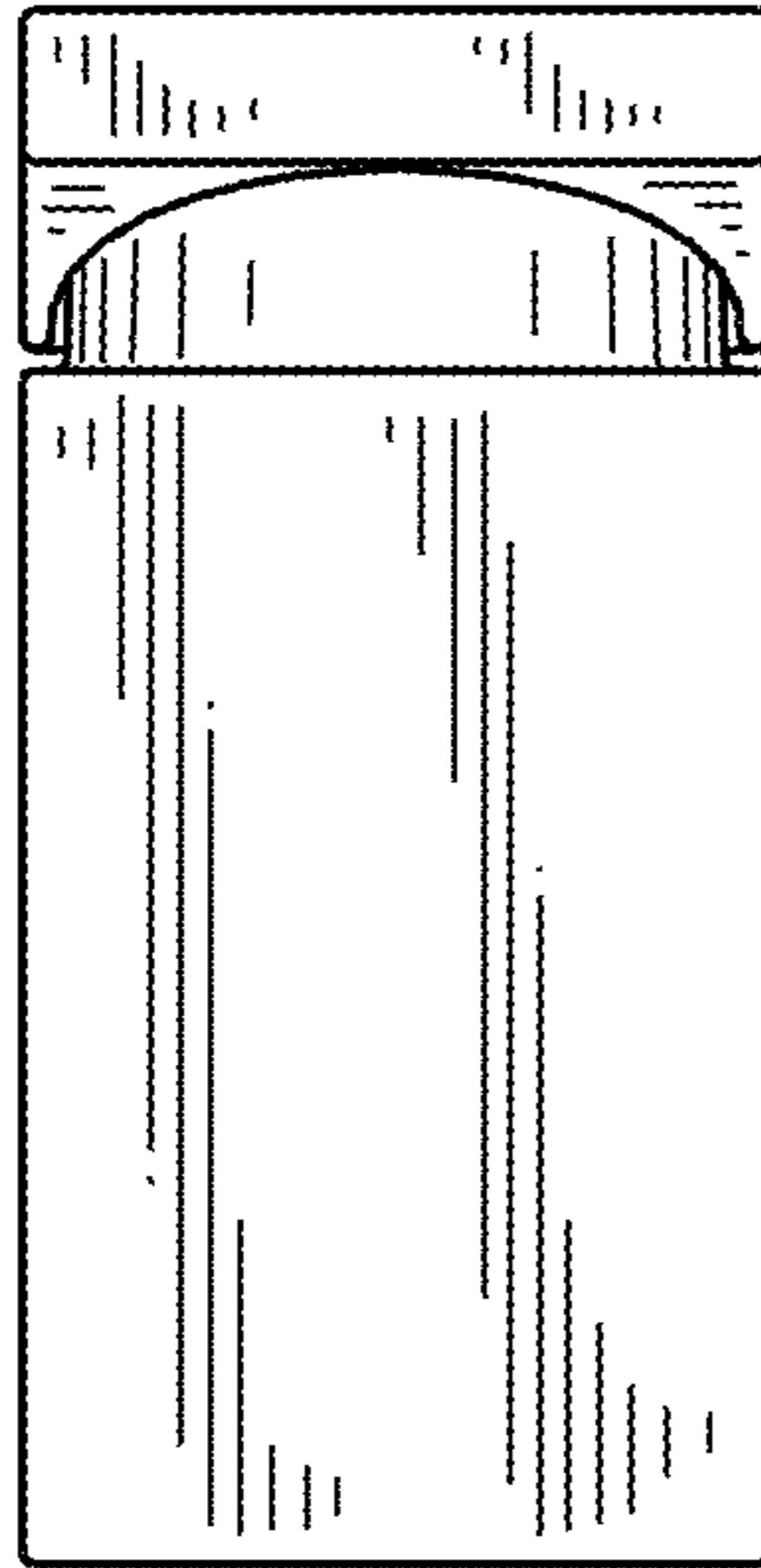


FIG. 4

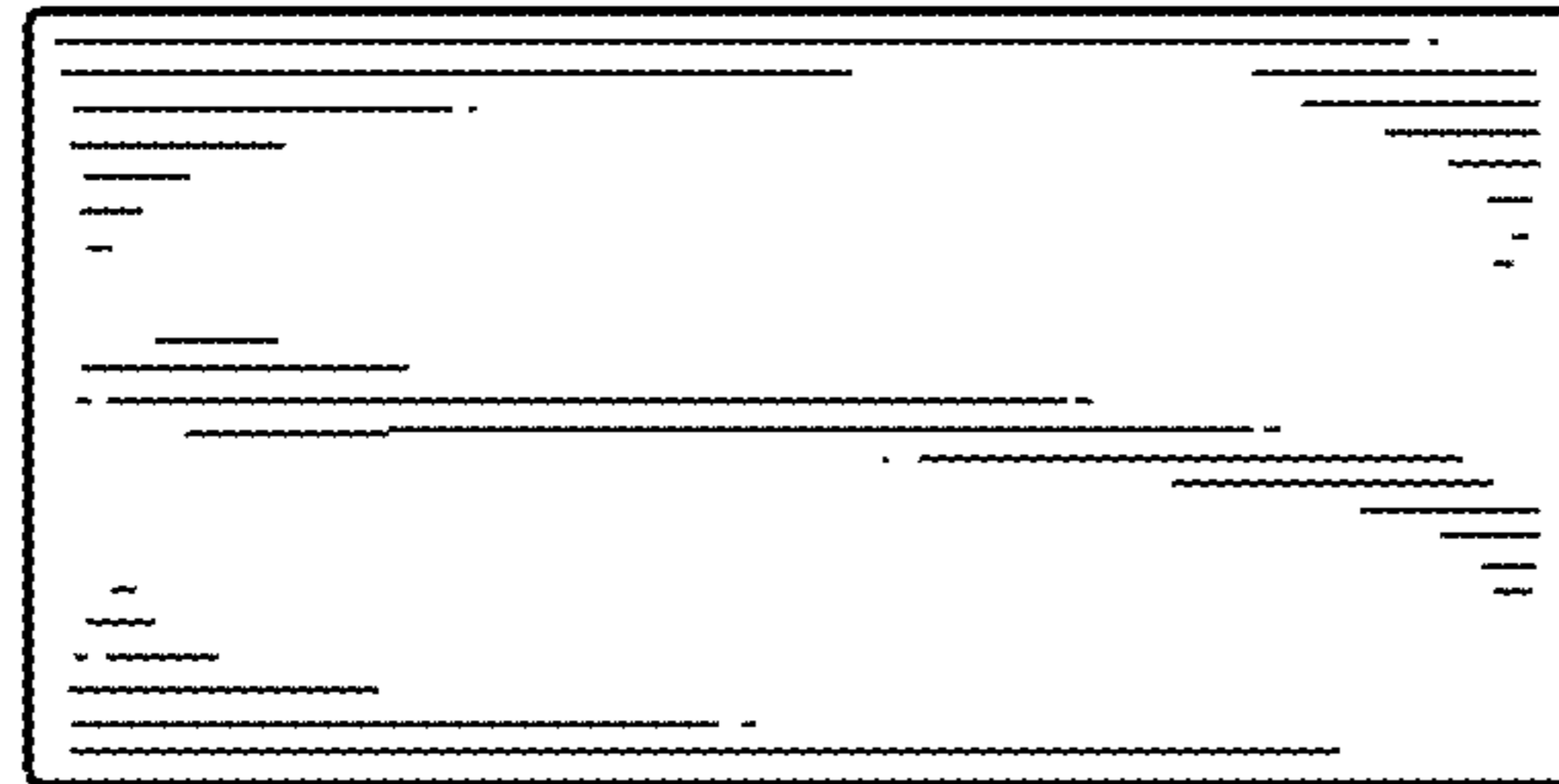


FIG. 5

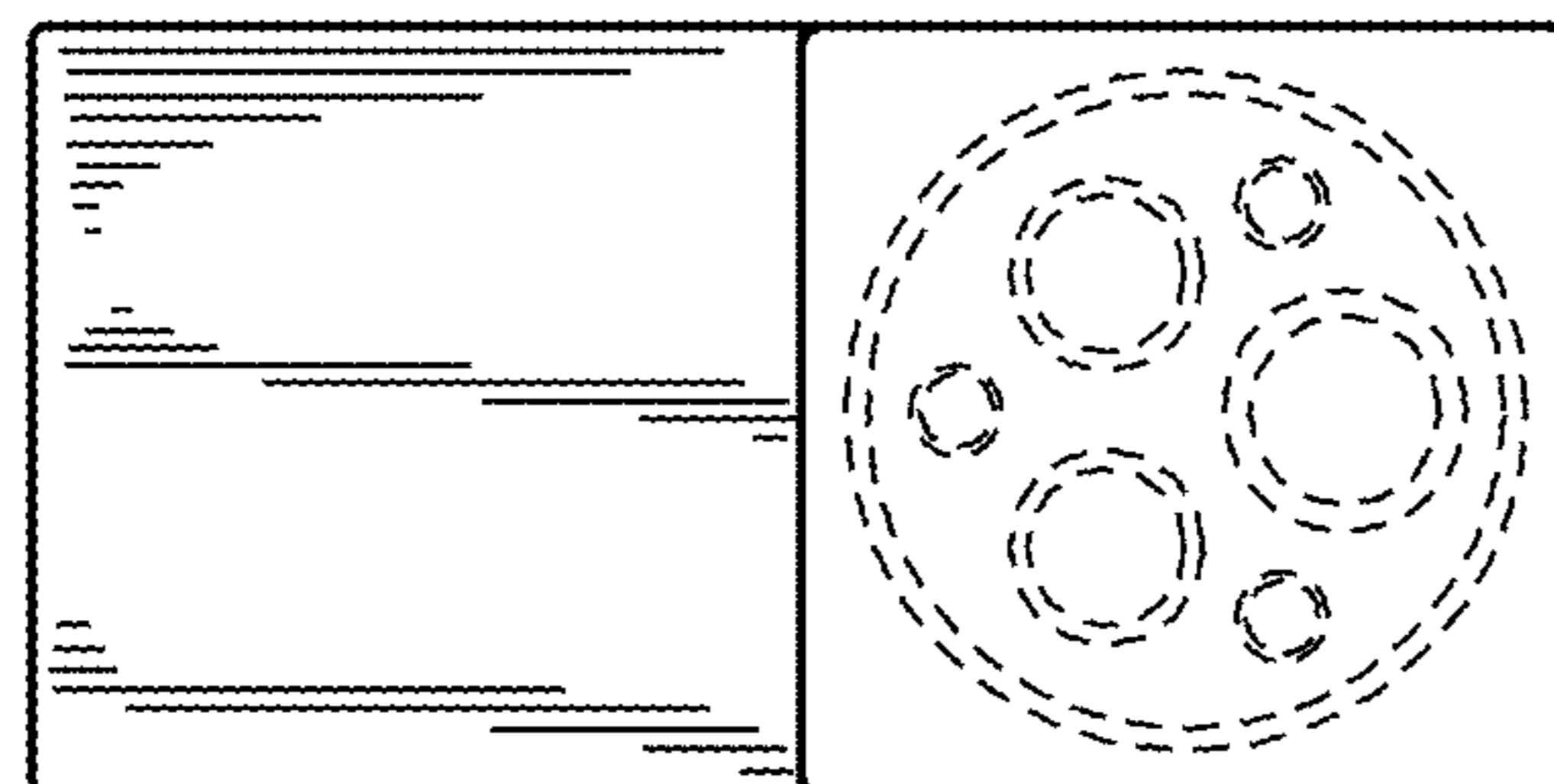


FIG. 6

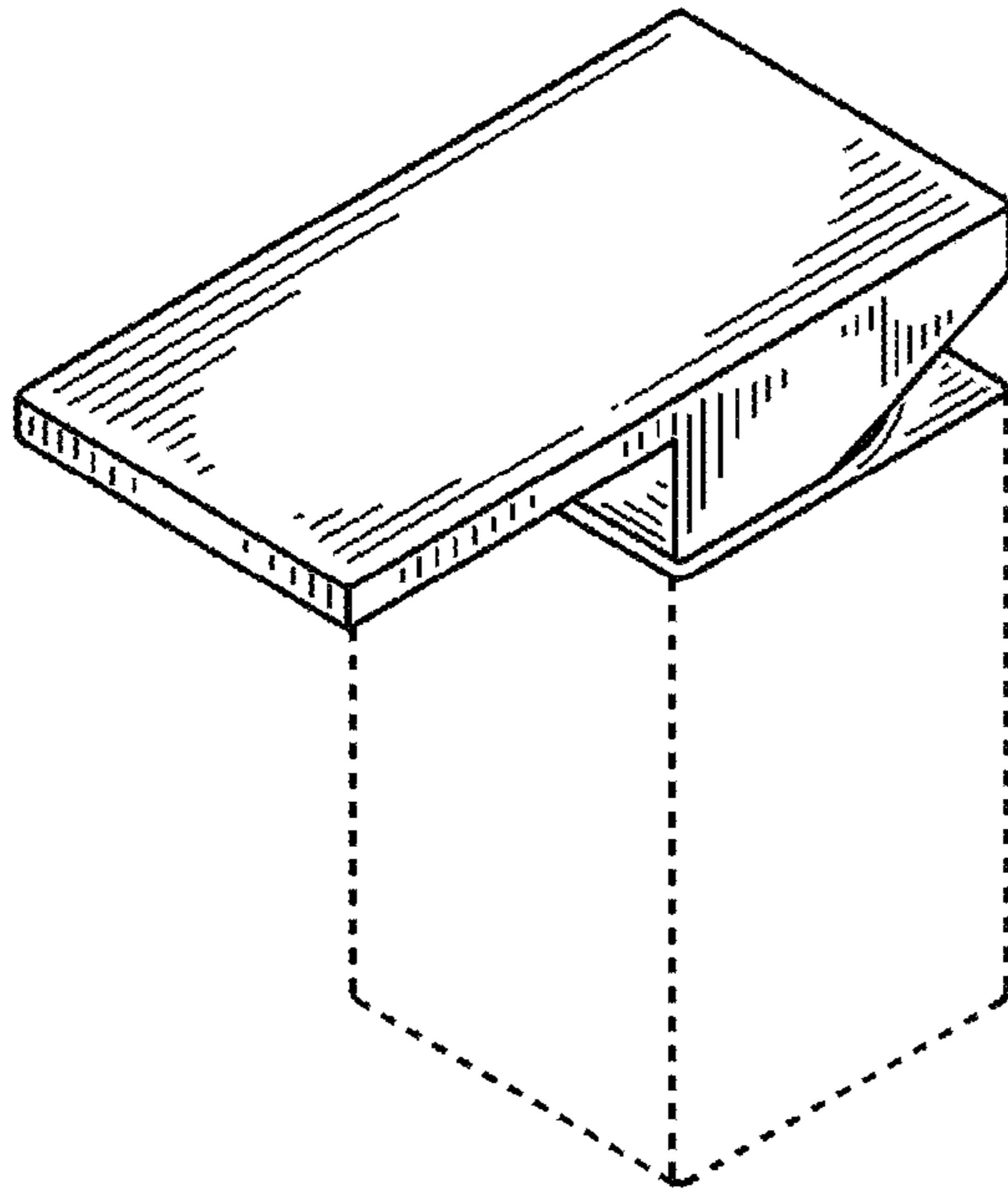


FIG. 7
NEW

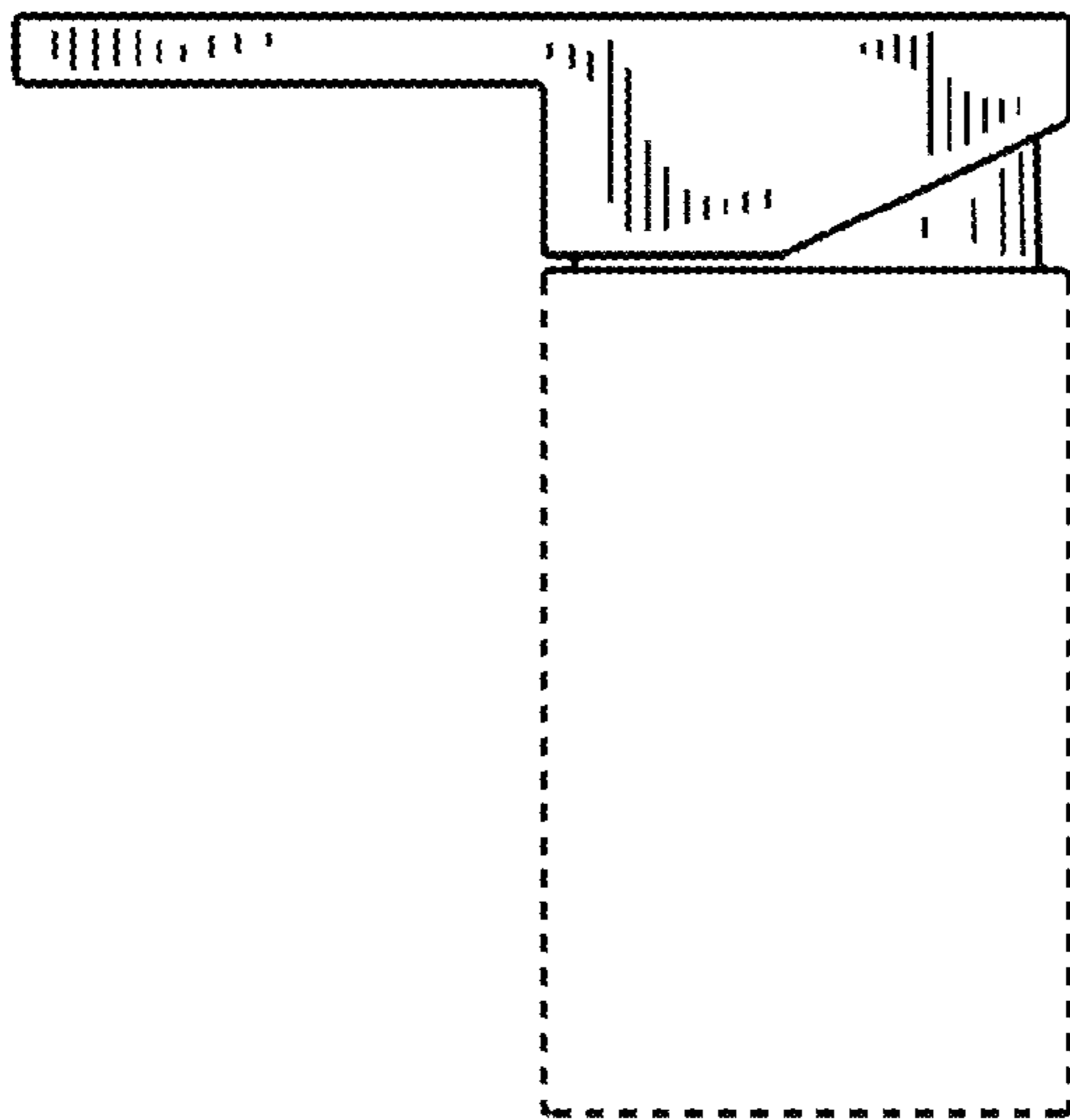


FIG. 8
NEW

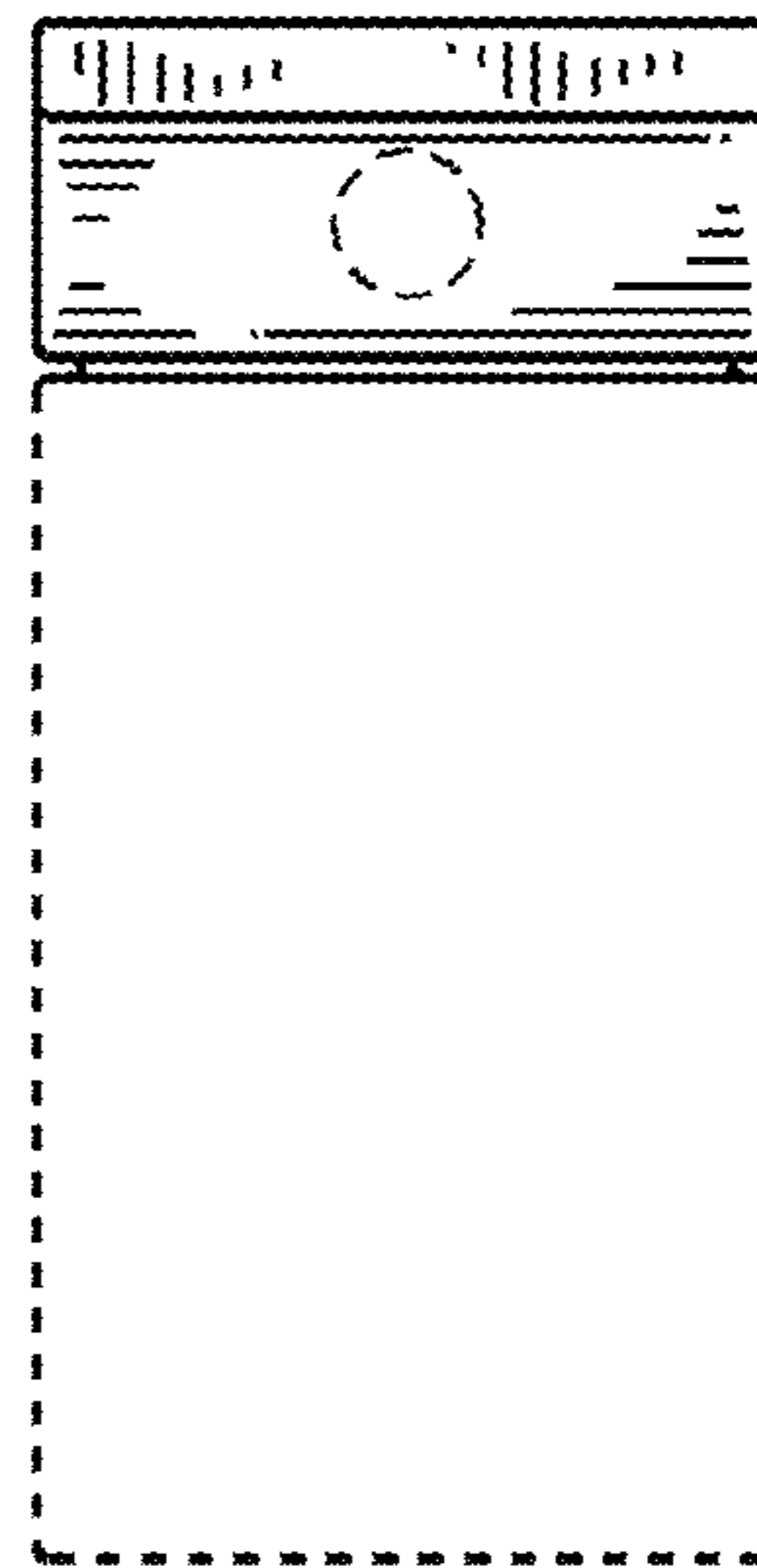


FIG. 9
NEW

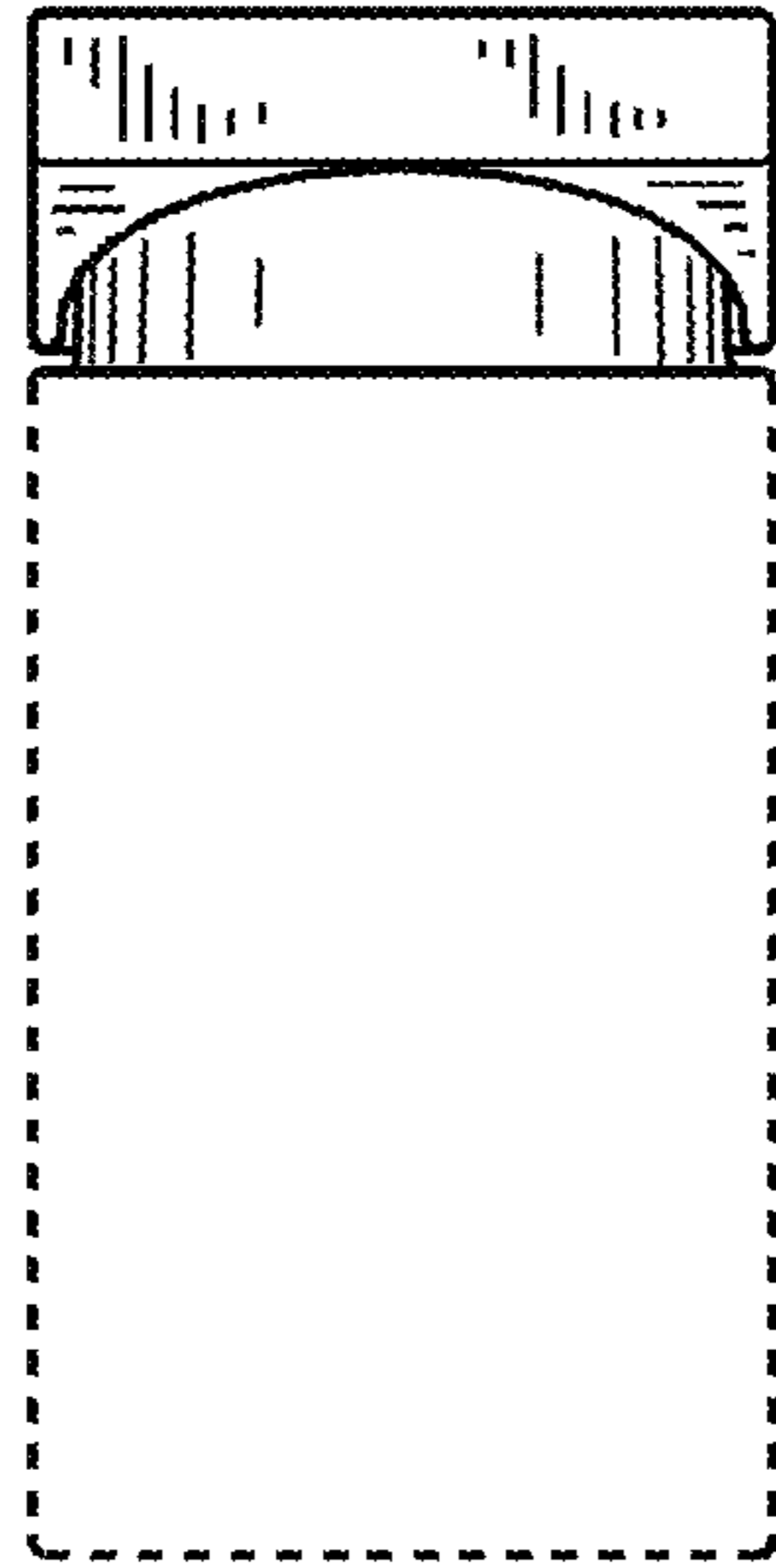


FIG. 10
NEW

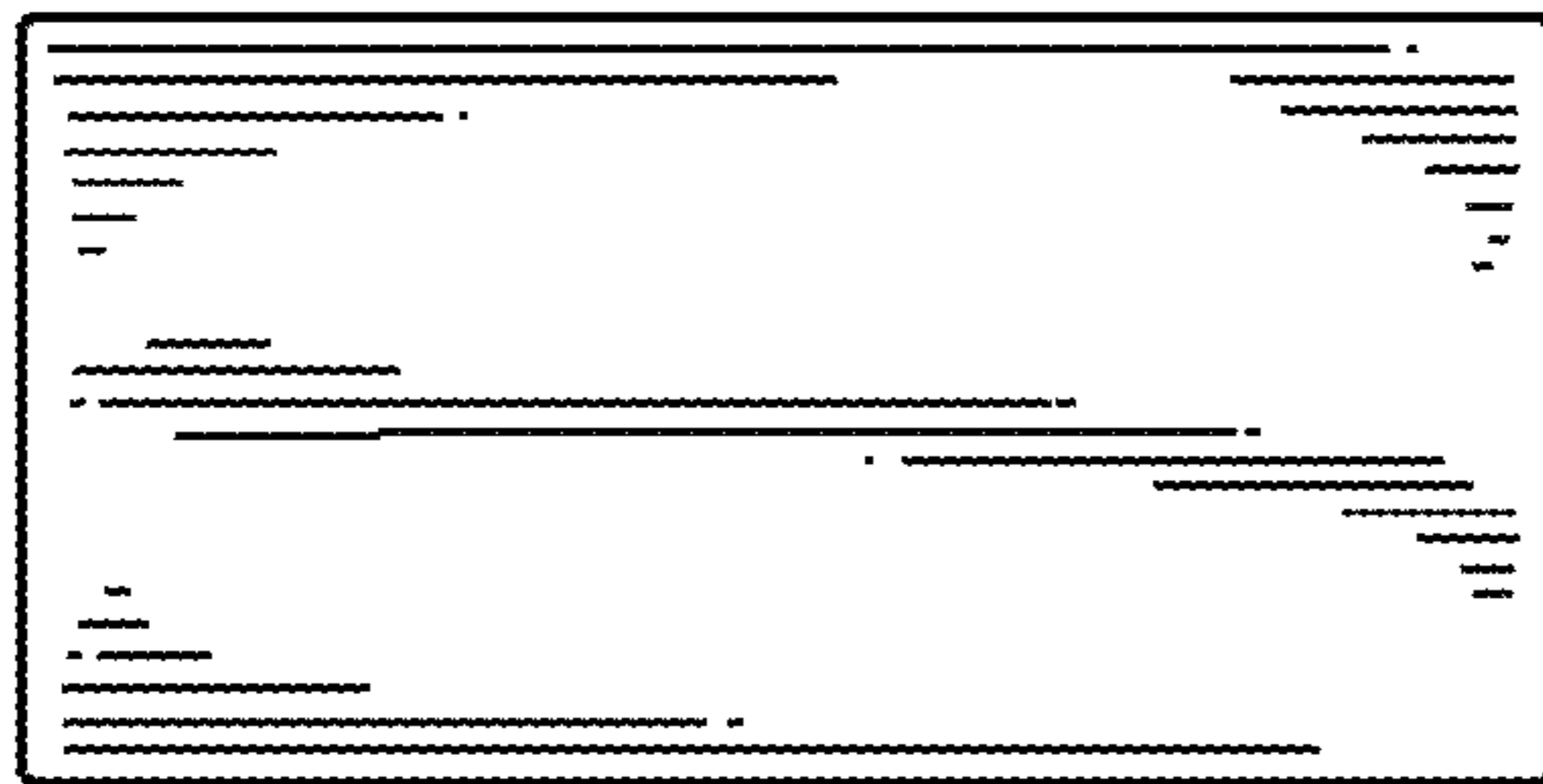


FIG. 11
NEW

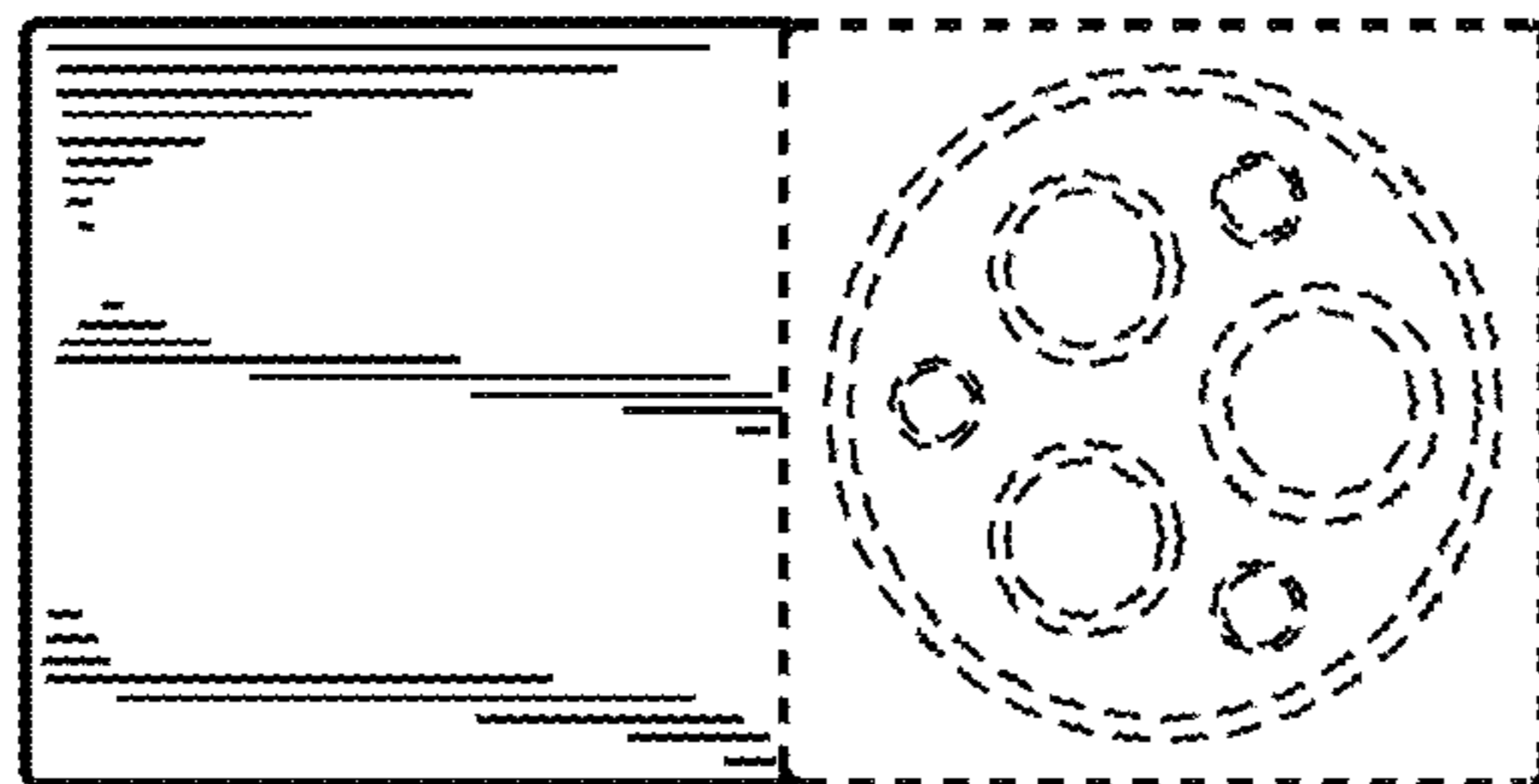


FIG. 12
NEW