



US00RE46409E

(19) **United States**
(12) **Reissued Patent**
Foley et al.

(10) **Patent Number:** **US RE46,409 E**
(45) **Date of Reissued Patent:** **May 23, 2017**

(54) **IMAGE GUIDED AWL/TAP/SCREWDRIVER**

(71) Applicant: **Medtronic Navigation, Inc.**, Louisville, CO (US)

(72) Inventors: **Kevin T. Foley**, Germantown, TN (US); **Anthony J. Melkent**, Germantown, TN (US); **Catalina J. Carroll**, Memphis, TN (US)

(73) Assignee: **Medtronic Navigation, Inc.**, Louisville, CO (US)

(21) Appl. No.: **14/691,159**

(22) Filed: **Apr. 20, 2015**

Related U.S. Patent Documents

Reissue of:

(64) Patent No.: **6,021,343**
Issued: **Feb. 1, 2000**
Appl. No.: **08/971,126**
Filed: **Nov. 20, 1997**

U.S. Applications:

(63) Continuation of application No. 13/453,709, filed on Apr. 23, 2012, now Pat. No. Re. 45,484, which is a (Continued)

(51) **Int. Cl.**
A61B 17/16 (2006.01)
A61B 17/88 (2006.01)
(Continued)

(52) **U.S. Cl.**
CPC **A61B 17/8875** (2013.01); **A61B 17/16** (2013.01); **A61B 34/20** (2016.02);
(Continued)

(58) **Field of Classification Search**
CPC **A61B 17/16**; **A61B 17/8875**; **A61B 19/52**;
A61B 19/5244; **A61B 17/1655**;
(Continued)

(56) **References Cited**

U.S. PATENT DOCUMENTS

1,576,781 A 3/1926 Phillips
1,735,726 A 11/1929 Bornhardt
(Continued)

FOREIGN PATENT DOCUMENTS

CA 964149 3/1975
CA 1336451 1/1988
(Continued)

OTHER PUBLICATIONS

Germano, Isabelle M., "The NeuroStation System for Image-Guided, Frameless Stereotaxy," *Neurosurgery*, vol. 37, No. 2 Aug. 1995, pp. 348-350.*

(Continued)

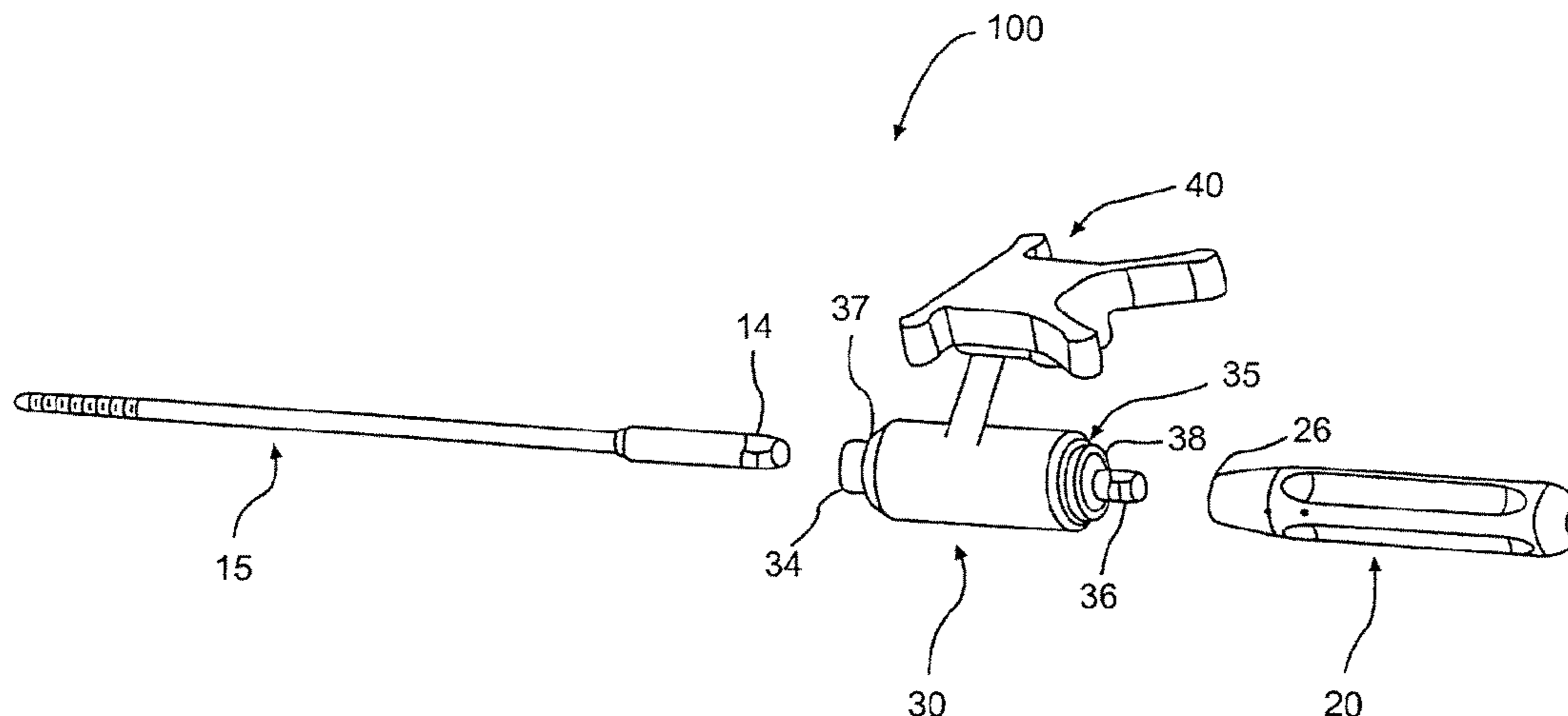
Primary Examiner — Sara Clarke

(74) *Attorney, Agent, or Firm* — Harness Dickey

(57) **ABSTRACT**

A trackable medical instrument for use in a computer assisted image guided medical and surgical navigation systems that generate images during medical and surgical procedures, includes a guide member having an emitter array for being tracked by the system and a drive shaft contained within the guide member having a proximal and a distal end, the drive shaft being rotatable within the guide member while being fixable axially inside the guide member, the proximal end of the drive shaft having a first connector for interchangeably receiving at least one drive source, and the distal end having a second connector for interchangeably receiving at least one instrument tip.

26 Claims, 5 Drawing Sheets



Related U.S. Application Data

continuation of application No. 10/062,265, filed on Jan. 31, 2002, now Pat. No. Re. 43,328, which is an application for the reissue of Pat. No. 6,021,343.

(51) **Int. Cl.**

- A61B 19/00* (2006.01)
- A61B 17/00* (2006.01)
- A61B 90/96* (2016.01)
- A61B 34/20* (2016.01)
- A61B 34/10* (2016.01)
- A61B 90/00* (2016.01)

(52) **U.S. Cl.**

- CPC *A61B 90/36* (2016.02); *A61B 90/96* (2016.02); *A61B 17/1655* (2013.01); *A61B 34/10* (2016.02); *A61B 2017/0046* (2013.01); *A61B 2034/107* (2016.02); *A61B 2034/2055* (2016.02); *A61B 2034/2072* (2016.02); *A61B 2090/3983* (2016.02)

(58) **Field of Classification Search**

- CPC *A61B 19/50*; *A61B 2019/5483*; *A61B 2017/0046*; *A61B 2019/442*; *A61B 2019/507*; *A61B 2019/5255*; *A61B 2019/5272*; *A61B 90/96*; *A61B 90/36*; *A61B 34/20*; *A61B 2090/3983*; *A61B 2034/2055*; *A61B 2034/2072*; *A61B 2034/107*; *A61B 34/10*

See application file for complete search history.

(56)

References Cited

U.S. PATENT DOCUMENTS

2,407,845 A 9/1946 Nemeyer
 2,650,588 A 9/1953 Drew
 2,697,433 A 12/1954 Zehnder
 3,016,899 A 1/1962 Stenvall
 3,017,887 A 1/1962 Heyer
 3,061,936 A 11/1962 Dobbeleer
 3,073,310 A 1/1963 Mocarski
 3,109,588 A 11/1963 Polhemus et al.
 3,294,083 A 12/1966 Alderson
 3,367,326 A 2/1968 Frazier
 3,439,256 A 4/1969 Kahne
 3,577,160 A 5/1971 White
 3,614,950 A 10/1971 Rabey
 3,644,825 A 2/1972 Davis, Jr. et al.
 3,674,014 A 7/1972 Tillander
 3,702,935 A 11/1972 Carey et al.
 3,704,707 A 12/1972 Halloran
 3,821,469 A 6/1974 Whetstone et al.
 3,867,943 A * 2/1975 Nordin A61B 17/1622
 173/218
 3,868,565 A 2/1975 Kuipers
 3,941,127 A 3/1976 Froning
 3,963,028 A 6/1976 Cooley et al. 128/276
 3,983,474 A 9/1976 Kuipers
 4,017,858 A 4/1977 Kuipers
 4,037,592 A 7/1977 Kronner
 4,052,620 A 10/1977 Brunnett
 4,054,881 A 10/1977 Raab
 4,117,337 A 9/1978 Staats
 4,173,228 A 11/1979 Van Steenwyk et al.
 4,182,312 A 1/1980 Mushabac
 4,202,349 A 5/1980 Jones
 4,228,799 A 10/1980 Anichkov et al.
 4,256,112 A 3/1981 Kopf et al.
 4,262,306 A 4/1981 Renner
 4,287,809 A 9/1981 Egli et al.
 4,298,874 A 11/1981 Kuipers
 4,314,251 A 2/1982 Raab
 4,317,078 A 2/1982 Weed et al.

4,319,136 A 3/1982 Jinkins
 4,328,548 A 5/1982 Crow et al.
 4,328,813 A 5/1982 Ray
 4,339,953 A 7/1982 Iwasaki
 4,341,220 A 7/1982 Perry
 4,346,384 A 8/1982 Raab
 4,358,856 A 11/1982 Stivender et al.
 4,368,536 A 1/1983 Pfeiler
 4,396,885 A 8/1983 Constant
 4,396,945 A 8/1983 DiMatteo et al.
 4,403,321 A 9/1983 Kruger
 4,418,422 A 11/1983 Richter et al.
 4,419,012 A 12/1983 Stephenson et al.
 4,422,041 A 12/1983 Lienau
 4,431,005 A 2/1984 McCormick
 4,485,815 A 12/1984 Amplatz et al.
 4,506,676 A 3/1985 Duska
 4,543,959 A 10/1985 Sepponen
 4,548,208 A 10/1985 Niemi
 4,571,834 A 2/1986 Fraser et al.
 4,572,198 A 2/1986 Codrington
 4,583,538 A 4/1986 Onik et al.
 4,584,577 A 4/1986 Temple
 4,608,977 A 9/1986 Brown
 4,613,866 A 9/1986 Blood
 4,617,925 A 10/1986 Laitinen
 4,618,978 A 10/1986 Cosman
 4,621,628 A 11/1986 Brudermann
 4,625,718 A 12/1986 Olerud et al.
 4,638,798 A 1/1987 Shelden et al.
 4,642,786 A 2/1987 Hansen
 4,645,343 A 2/1987 Stockdale et al.
 4,649,504 A 3/1987 Krouglicof et al.
 4,651,732 A 3/1987 Frederick
 4,653,509 A 3/1987 Oloff et al.
 4,659,971 A 4/1987 Suzuki et al.
 4,660,970 A 4/1987 Ferrano
 4,672,306 A 6/1987 Thong 324/72.5
 4,673,352 A 6/1987 Hansen 433/69
 4,688,037 A 8/1987 Krieg
 4,701,049 A 10/1987 Beckman et al.
 4,705,395 A 11/1987 Hageniers
 4,705,401 A 11/1987 Addleman et al.
 4,706,665 A 11/1987 Gouda
 4,709,156 A 11/1987 Murphy et al.
 4,710,708 A 12/1987 Rorden et al.
 4,719,419 A 1/1988 Dawley
 4,722,056 A 1/1988 Roberts et al. 364/413
 4,722,336 A 2/1988 Kim et al.
 4,723,544 A 2/1988 Moore et al.
 4,727,565 A 2/1988 Ericson
 RE32,619 E 3/1988 Damadian
 4,733,969 A 3/1988 Case et al.
 4,737,032 A 4/1988 Addleman et al.
 4,737,794 A 4/1988 Jones
 4,737,921 A 4/1988 Goldwasser et al.
 4,742,356 A 5/1988 Kuipers
 4,742,815 A 5/1988 Ninan et al.
 4,743,770 A 5/1988 Lee
 4,743,771 A 5/1988 Sacks et al.
 4,745,290 A 5/1988 Frankel et al.
 4,750,487 A 6/1988 Zanetti
 4,753,528 A 6/1988 Hines et al.
 4,761,072 A 8/1988 Pryor
 4,764,016 A 8/1988 Johansson
 4,771,787 A 9/1988 Wurster et al.
 4,779,212 A 10/1988 Levy
 4,782,239 A 11/1988 Hirose et al.
 4,788,481 A 11/1988 Niwa
 4,791,934 A 12/1988 Brunnett
 4,793,355 A 12/1988 Crum et al.
 4,794,262 A 12/1988 Sato et al.
 4,797,907 A 1/1989 Anderton
 4,803,976 A 2/1989 Frigg et al.
 4,804,261 A 2/1989 Kirschen
 4,805,615 A 2/1989 Carol
 4,809,694 A 3/1989 Ferrara
 4,821,200 A 4/1989 Oberg
 4,821,206 A 4/1989 Arora

(56)

References Cited

U.S. PATENT DOCUMENTS

4,821,731 A	4/1989	Martinelli et al.	5,211,164 A	5/1993	Allen
4,822,163 A	4/1989	Schmidt	5,211,165 A	5/1993	Dumoulin et al.
4,825,091 A	4/1989	Breyer et al.	5,211,176 A	5/1993	Ishiguro et al.
4,829,373 A	5/1989	Leberl et al.	5,212,720 A	5/1993	Landi et al.
4,836,778 A	6/1989	Baumrind et al. 433/69	5,214,615 A	5/1993	Bauer
4,838,265 A	6/1989	Cosman et al.	5,219,351 A	6/1993	Teubner et al.
4,841,967 A	6/1989	Chang et al.	5,222,499 A	6/1993	Allen et al.
4,845,771 A	7/1989	Wislocki et al.	5,224,049 A	6/1993	Mushabac
4,849,692 A	7/1989	Blood	5,228,442 A	7/1993	Imran
4,860,331 A	8/1989	Williams et al.	5,230,338 A	7/1993	Allen et al.
4,862,893 A	9/1989	Martinelli	5,230,623 A	7/1993	Guthrie et al. 433/72
4,869,247 A	9/1989	Howard, III et al.	5,233,990 A	8/1993	Barnea
4,875,165 A	10/1989	Fencil et al.	5,237,996 A	8/1993	Waldman et al.
4,875,478 A	10/1989	Chen	5,249,581 A	10/1993	Horbal et al.
4,884,566 A	12/1989	Mountz et al.	5,251,127 A	10/1993	Raab 364/413
4,889,526 A	12/1989	Rauscher et al.	5,251,635 A	10/1993	Dumoulin et al.
4,896,673 A	1/1990	Rose et al.	5,253,647 A	10/1993	Takahashi et al.
4,905,698 A	3/1990	Strohl, Jr. et al.	5,255,680 A	10/1993	Darrow et al.
4,923,459 A	5/1990	Nambu	5,257,636 A	11/1993	White
4,931,056 A	6/1990	Ghajar et al.	5,257,998 A	11/1993	Ota et al.
4,945,305 A	7/1990	Blood	5,261,404 A	11/1993	Mick et al.
4,945,914 A	8/1990	Allen	5,265,610 A	11/1993	Darrow et al.
4,951,653 A	8/1990	Fry et al.	5,265,611 A	11/1993	Hoening et al.
4,955,891 A	9/1990	Carol	5,269,759 A	12/1993	Hernandez et al.
4,961,422 A	10/1990	Marchosky et al.	5,271,400 A	12/1993	Dumoulin et al.
4,977,655 A	12/1990	Martinelli	5,273,025 A	12/1993	Sakiyama et al.
4,989,608 A	2/1991	Ratner	5,274,551 A	12/1993	Corby, Jr.
4,991,579 A	2/1991	Allen	5,279,309 A	1/1994	Taylor et al.
5,002,058 A	3/1991	Martinelli	5,285,787 A	2/1994	Machida
5,005,592 A	4/1991	Cartmell	5,291,199 A	3/1994	Overman et al.
5,013,317 A	5/1991	Cole et al.	5,291,889 A	3/1994	Kenet et al.
5,016,639 A	5/1991	Allen	5,295,483 A	3/1994	Nowacki et al. 128/660.03
5,017,139 A	5/1991	Mushabac	5,297,549 A	3/1994	Beatty et al.
5,027,818 A	7/1991	Bova et al.	5,299,253 A	3/1994	Wessels
5,030,196 A	7/1991	Inoue	5,299,254 A	3/1994	Dancer et al.
5,030,222 A	7/1991	Calandruccio et al.	5,299,288 A	3/1994	Glassman et al. 395/80
5,031,203 A	7/1991	Trecha	5,300,080 A	4/1994	Clayman et al.
5,042,486 A	8/1991	Pfeiler et al.	5,305,091 A	4/1994	Gelbart et al.
5,047,036 A	9/1991	Koutrouvelis	5,305,203 A	4/1994	Raab 364/413
5,050,608 A	9/1991	Watanabe et al. 128/653	5,306,271 A	4/1994	Zinreich et al.
5,054,492 A	10/1991	Scribner et al.	5,307,072 A	4/1994	Jones, Jr.
5,057,095 A	10/1991	Fabian	5,309,913 A	5/1994	Kormos et al.
5,059,789 A	10/1991	Salcudean	5,315,630 A	5/1994	Sturm et al.
5,078,140 A	1/1992	Kwoh 128/653.1	5,316,024 A	5/1994	Hirschi et al.
5,079,699 A	1/1992	Tuy et al.	5,318,025 A	6/1994	Dumoulin et al.
5,086,401 A	2/1992	Glassman et al.	5,320,111 A	6/1994	Livingston
5,094,241 A	3/1992	Allen	5,325,728 A	7/1994	Zimmerman et al.
5,097,839 A	3/1992	Allen	5,325,873 A	7/1994	Hirschi et al.
5,098,426 A	3/1992	Sklar et al.	5,329,944 A	7/1994	Fabian et al.
5,099,845 A	3/1992	Besz et al.	5,330,485 A	7/1994	Clayman et al.
5,099,846 A	3/1992	Hardy	5,333,168 A	7/1994	Fernandes et al.
5,105,829 A	4/1992	Fabian et al.	5,353,795 A	10/1994	Souza et al.
5,107,839 A	4/1992	Houdek et al.	5,353,800 A	10/1994	Pohndorf et al.
5,107,843 A	4/1992	Aarnio et al.	5,353,807 A	10/1994	DeMarco
5,107,862 A	4/1992	Fabian et al.	5,359,417 A	10/1994	Muller et al.
5,109,194 A	4/1992	Cantaloube	5,368,030 A	11/1994	Zinreich et al.
5,119,817 A	6/1992	Allen	5,371,778 A	12/1994	Yanof et al.
5,142,930 A	9/1992	Allen et al.	5,375,596 A	12/1994	Twiss et al.
5,143,076 A	9/1992	Hardy et al.	5,377,678 A	1/1995	Dumoulin et al.
5,152,288 A	10/1992	Hoening et al.	5,383,454 A	1/1995	Bucholz 128/653.1
5,160,337 A	11/1992	Cosman	5,385,146 A	1/1995	Goldreyer
5,161,536 A	11/1992	Vilkomerson et al.	5,385,148 A	1/1995	Lesh et al.
5,178,164 A	1/1993	Allen	5,386,828 A	2/1995	Owens et al.
5,178,621 A	1/1993	Cook et al.	5,389,101 A	2/1995	Heilbrun et al. 606/130
5,186,174 A	2/1993	Schlöndorff et al. 128/653	5,391,199 A	2/1995	Ben-Haim
5,187,475 A	2/1993	Wagener et al.	5,394,457 A	2/1995	Leibinger et al.
5,188,126 A	2/1993	Fabian et al.	5,394,875 A	3/1995	Lewis et al.
5,190,059 A	3/1993	Fabian et al.	5,397,329 A	3/1995	Allen
5,193,106 A	3/1993	DeSena	5,398,684 A	3/1995	Hardy
5,197,476 A	3/1993	Nowacki et al.	5,399,146 A	3/1995	Nowacki et al.
5,197,965 A	3/1993	Cherry et al.	5,400,384 A	3/1995	Fernandes et al.
5,198,768 A	3/1993	Keren	5,402,801 A	4/1995	Taylor
5,198,877 A	3/1993	Schulz 356/375	5,408,409 A	4/1995	Glassman et al.
5,207,681 A	5/1993	Ghadjar et al. 606/96	5,413,573 A	5/1995	Koivukangas
5,207,688 A	5/1993	Carol	5,417,210 A	5/1995	Funda et al.
			5,419,325 A	5/1995	Dumoulin et al.
			5,423,334 A	6/1995	Jordan
			5,425,367 A	6/1995	Shapiro et al.
			5,425,382 A	6/1995	Golden et al.

(56)

References Cited

U.S. PATENT DOCUMENTS

5,426,683 A	6/1995	O'Farrell, Jr. et al.	5,630,431 A	5/1997	Taylor
5,426,687 A	6/1995	Goodall et al.	5,636,644 A	6/1997	Hart et al.
5,427,097 A	6/1995	Depp	5,638,819 A	6/1997	Manwaring et al.
5,429,132 A	7/1995	Guy et al.	5,640,170 A	6/1997	Anderson
5,433,198 A	7/1995	Desai	5,642,395 A	6/1997	Anderton et al.
RE35,025 E	8/1995	Anderton	5,643,268 A	7/1997	Vilsmeier et al.
5,437,212 A	8/1995	Thompson et al. 81/63.1	5,645,065 A	7/1997	Shapiro et al.
5,437,277 A	8/1995	Dumoulin et al.	5,645,545 A	7/1997	Bryant
5,443,066 A	8/1995	Dumoulin et al.	5,646,524 A	7/1997	Gilboa
5,443,489 A	8/1995	Ben-Haim	5,647,361 A	7/1997	Damadian
5,444,756 A	8/1995	Pai et al.	5,662,111 A	9/1997	Cosman 128/653.1
5,445,144 A	8/1995	Wodicka et al.	5,664,001 A	9/1997	Tachibana et al.
5,445,150 A	8/1995	Dumoulin et al.	5,674,296 A	10/1997	Bryan et al.
5,445,166 A	8/1995	Taylor	5,676,673 A	10/1997	Ferre et al. 606/130
5,446,548 A	8/1995	Gerig et al.	5,681,260 A	10/1997	Ueda et al.
5,447,154 A	9/1995	Cinquin et al. 128/653.1	5,682,886 A	11/1997	Delp et al.
5,448,610 A	9/1995	Yamamoto et al.	5,682,890 A	11/1997	Kormos et al.
5,453,686 A	9/1995	Anderson	5,690,108 A	11/1997	Chakeres
5,456,718 A	10/1995	Szymaitis	D387,427 S	12/1997	Bucholz et al. D24/140
5,457,641 A	10/1995	Zimmer et al.	5,694,945 A	12/1997	Ben-Haim
5,464,446 A	11/1995	Dressen et al.	5,695,500 A	12/1997	Taylor et al.
5,469,847 A	11/1995	Zinreich et al.	5,695,501 A	12/1997	Carol et al.
5,474,558 A	12/1995	Neubardt	5,697,377 A	12/1997	Wittkamp
5,478,341 A	12/1995	Cook et al.	5,702,406 A	12/1997	Vilsmeier et al.
5,478,343 A	12/1995	Ritter	5,711,299 A	1/1998	Manwaring et al.
5,480,422 A	1/1996	Ben-Haim	5,713,946 A	2/1998	Ben-Haim
5,480,439 A	1/1996	Bisek et al.	5,715,822 A	2/1998	Watkins et al.
5,483,961 A	1/1996	Kelly et al.	5,715,836 A	2/1998	Kliegis et al.
5,485,849 A	1/1996	Panescu et al.	5,718,241 A	2/1998	Ben-Haim et al.
5,487,391 A	1/1996	Panescu	5,727,552 A	3/1998	Ryan
5,487,729 A	1/1996	Avellanet et al.	5,727,553 A	3/1998	Saad
5,487,757 A	1/1996	Truckai et al.	5,729,129 A	3/1998	Acker
5,490,196 A	2/1996	Rudich et al.	5,730,129 A	3/1998	Darrow et al.
5,494,034 A	2/1996	Schlondorff et al.	5,730,130 A	3/1998	Fitzpatrick et al.
5,503,416 A	4/1996	Aoki et al.	5,732,703 A	3/1998	Kalfas et al.
5,513,637 A	5/1996	Twiss et al.	5,735,278 A	4/1998	Hoult et al.
5,514,146 A	5/1996	Lam et al.	5,738,096 A	4/1998	Ben-Haim
5,515,160 A	5/1996	Schulz et al.	5,740,802 A	4/1998	Nafis et al.
5,517,990 A	5/1996	Kalfas et al. 128/653	5,741,214 A	4/1998	Ouchi et al.
5,531,227 A	7/1996	Schneider	5,742,394 A	4/1998	Hansen
5,531,520 A	7/1996	Grimson et al.	5,744,953 A	4/1998	Hansen
5,542,938 A	8/1996	Avellanet et al.	5,748,767 A	5/1998	Raab
5,543,951 A	8/1996	Moehrmann	5,749,362 A	5/1998	Funda et al.
5,546,940 A	8/1996	Panescu et al.	5,749,835 A	5/1998	Glantz
5,546,949 A	8/1996	Frazin et al.	5,752,513 A	5/1998	Acker et al.
5,546,951 A	8/1996	Ben-Haim	5,755,725 A	5/1998	Druais
5,551,429 A	9/1996	Fitzpatrick et al.	RE35,816 E	6/1998	Schulz
5,558,091 A	9/1996	Acker et al.	5,758,667 A	6/1998	Slettenmark
5,564,437 A	10/1996	Bainville et al.	5,762,064 A	6/1998	Polvani
5,566,681 A	10/1996	Manwaring et al.	5,767,669 A	6/1998	Hansen et al.
5,568,384 A	10/1996	Robb et al.	5,767,960 A	6/1998	Orman
5,568,809 A	10/1996	Ben-haim	5,769,789 A	6/1998	Wang et al.
5,572,999 A	11/1996	Funda et al.	5,769,843 A	6/1998	Abela et al.
5,573,533 A	11/1996	Strul	5,769,861 A	6/1998	Vilsmeier
5,575,192 A	11/1996	Eggert 81/63.1	5,772,594 A	6/1998	Barrick
5,575,794 A	11/1996	Walus et al.	5,775,322 A	7/1998	Silverstein et al.
5,575,798 A	11/1996	Koutrouvelis	5,776,064 A	7/1998	Kalfas et al.
5,383,454 B1	12/1996	Bucholz 128/653.1	5,782,765 A	7/1998	Jonkman
5,583,909 A	12/1996	Hanover	5,787,886 A	8/1998	Kelly et al.
5,588,430 A	12/1996	Bova et al.	5,792,055 A	8/1998	McKinnon
5,590,215 A	12/1996	Allen	5,795,294 A	8/1998	Luber et al.
5,591,207 A	1/1997	Coleman	5,797,849 A	8/1998	Vesely et al.
5,592,939 A	1/1997	Martinelli	5,799,055 A	8/1998	Peshkin et al.
5,595,193 A	1/1997	Walus et al.	5,799,099 A	8/1998	Wang et al.
5,596,228 A	1/1997	Anderton et al.	5,800,352 A	9/1998	Ferre et al.
5,600,330 A	2/1997	Blood	5,800,535 A	9/1998	Howard, III
5,603,318 A	2/1997	Heilbrun et al.	5,802,719 A	9/1998	O'Farrell, Jr. et al.
5,611,025 A	3/1997	Lorensen et al.	5,803,089 A	9/1998	Ferre et al.
5,617,462 A	4/1997	Spratt	5,807,252 A	9/1998	Hassfeld et al.
5,617,857 A	4/1997	Chader et al. 128/653.1	5,810,008 A	9/1998	Dekel et al.
5,619,261 A	4/1997	Anderton	5,810,728 A	9/1998	Kuhn
5,622,169 A	4/1997	Golden et al.	5,810,735 A	9/1998	Halperin et al.
5,622,170 A	4/1997	Schulz 128/653	5,810,828 A	9/1998	Lightman et al.
5,627,873 A	5/1997	Hanover et al.	5,820,553 A	10/1998	Hughes
5,628,315 A	5/1997	Vilsmeier et al.	5,823,192 A	10/1998	Kalend et al.
			5,823,958 A	10/1998	Truppe
			5,828,725 A	10/1998	Levinson
			5,828,770 A	10/1998	Leis et al.
			5,829,444 A	11/1998	Ferre et al.

(56)

References Cited

U.S. PATENT DOCUMENTS

5,831,260 A 11/1998 Hansen
 5,833,608 A 11/1998 Acker
 5,834,759 A 11/1998 Glossop
 5,836,954 A 11/1998 Heilbrun et al.
 5,840,024 A 11/1998 Taniguchi et al.
 5,840,025 A 11/1998 Ben-Haim
 5,843,076 A 12/1998 Webster, Jr. et al.
 5,848,967 A 12/1998 Cosman
 5,851,183 A 12/1998 Bucholz
 5,865,846 A 2/1999 Bryan et al.
 5,868,674 A 2/1999 Glowinski et al.
 5,868,675 A 2/1999 Henrion et al.
 5,871,445 A 2/1999 Bucholz
 5,871,455 A 2/1999 Ueno
 5,871,487 A 2/1999 Warner et al.
 5,873,822 A 2/1999 Ferre et al.
 5,882,304 A 3/1999 Ehnholm et al.
 5,884,410 A 3/1999 Prinz
 5,889,834 A 3/1999 Vilsmeier et al.
 5,891,034 A 4/1999 Bucholz
 5,891,157 A 4/1999 Day et al.
 5,904,691 A 5/1999 Barnett et al.
 5,907,395 A 5/1999 Schulz et al.
 5,913,820 A 6/1999 Bladen et al.
 5,920,395 A 7/1999 Schulz
 5,921,992 A 7/1999 Costales et al.
 5,923,727 A 7/1999 Navab
 5,928,248 A 7/1999 Acker
 5,938,603 A 8/1999 Ponzi
 5,938,694 A 8/1999 Jaraczewski et al.
 5,947,980 A 9/1999 Jensen et al.
 5,947,981 A 9/1999 Cosman
 5,950,629 A 9/1999 Taylor et al.
 5,951,475 A 9/1999 Gueziec et al.
 5,951,571 A 9/1999 Audette
 5,954,647 A 9/1999 Bova et al.
 5,957,844 A 9/1999 Dekel et al.
 5,964,796 A 10/1999 Imran
 5,967,980 A 10/1999 Ferre et al.
 5,967,982 A 10/1999 Barnett
 5,968,047 A 10/1999 Reed
 5,971,997 A 10/1999 Guthrie et al.
 5,976,156 A 11/1999 Taylor et al.
 5,980,535 A 11/1999 Barnett et al.
 5,983,126 A 11/1999 Wittkampf
 5,987,349 A 11/1999 Schulz
 5,987,960 A 11/1999 Messner et al.
 5,999,837 A 12/1999 Messner et al.
 5,999,840 A 12/1999 Grimson et al.
 6,001,130 A 12/1999 Bryan et al.
 6,006,126 A 12/1999 Cosman
 6,006,127 A 12/1999 Van Der Brug et al.
 6,013,087 A 1/2000 Adams et al.
 6,014,580 A 1/2000 Blume et al.
 6,016,439 A 1/2000 Acker
 6,019,725 A 2/2000 Vesely et al.
 6,021,343 A 2/2000 Foley et al.
 6,024,408 A 2/2000 Bello et al.
 6,050,724 A 4/2000 Schmitz et al.
 6,059,718 A 5/2000 Taniguchi et al.
 6,063,022 A 5/2000 Ben-Haim
 6,071,288 A 6/2000 Carol et al.
 6,073,043 A 6/2000 Schneider
 6,076,008 A 6/2000 Bucholz
 6,096,050 A 8/2000 Audette
 6,104,944 A 8/2000 Martinelli
 6,118,845 A 9/2000 Simon et al.
 6,122,538 A 9/2000 Sliwa, Jr. et al.
 6,122,541 A 9/2000 Cosman et al.
 6,131,396 A 10/2000 Duerr et al.
 6,139,183 A 10/2000 Graumann
 6,147,480 A 11/2000 Osadchy et al.
 6,149,592 A 11/2000 Yanof et al.
 6,156,067 A 12/2000 Bryan et al.
 6,161,032 A 12/2000 Acker

6,165,181 A 12/2000 Heilbrun et al.
 6,167,296 A 12/2000 Shahidi
 6,172,499 B1 1/2001 Ashe
 6,175,756 B1 1/2001 Ferre et al.
 6,178,345 B1 1/2001 Vilsmeier et al.
 6,194,639 B1 2/2001 Botella et al.
 6,201,387 B1 3/2001 Govari
 6,203,497 B1 3/2001 Dekel et al.
 6,211,666 B1 4/2001 Acker
 6,223,067 B1 4/2001 Vilsmeier et al.
 6,233,476 B1 5/2001 Strommer et al.
 6,236,875 B1 5/2001 Bucholz et al.
 6,246,231 B1 6/2001 Ashe
 6,259,942 B1 7/2001 Westermann et al.
 6,273,896 B1 8/2001 Franck et al.
 6,285,902 B1 9/2001 Kienzle, III et al.
 6,298,262 B1 10/2001 Franck et al.
 6,314,310 B1 11/2001 Ben-Haim et al.
 6,332,089 B1 12/2001 Acker et al.
 6,341,231 B1 1/2002 Ferre et al.
 6,351,659 B1 2/2002 Vilsmeier
 6,381,485 B1 4/2002 Hunter et al.
 6,424,856 B1 7/2002 Vilsmeier et al.
 6,427,314 B1 8/2002 Acker
 6,428,547 B1 8/2002 Vilsmeier et al.
 6,434,415 B1 8/2002 Foley et al.
 6,434,507 B1* 8/2002 Clayton A61B 17/32002
 6,437,567 B1 8/2002 Schenck et al.
 6,445,943 B1 9/2002 Ferre et al.
 6,470,207 B1 10/2002 Simon et al.
 6,474,341 B1 11/2002 Hunter et al.
 6,478,802 B2 11/2002 Kienzle, III et al.
 6,484,049 B1 11/2002 Seeley et al.
 6,490,475 B1 12/2002 Seeley et al.
 6,493,573 B1 12/2002 Martinelli et al.
 6,498,944 B1 12/2002 Ben-Haim et al.
 6,516,046 B1 2/2003 Frohlich et al.
 6,527,443 B1 3/2003 Vilsmeier et al.
 6,551,325 B2 4/2003 Neubauer et al.
 6,584,174 B2 6/2003 Schubert et al.
 6,609,022 B2 8/2003 Vilsmeier et al.
 6,611,700 B1 8/2003 Vilsmeier et al.
 6,640,128 B2 10/2003 Vilsmeier et al.
 6,694,162 B2 2/2004 Hartlep
 6,701,179 B1 3/2004 Martinelli et al.
 RE43,328 E 4/2012 Foley et al.
 RE45,484 E 4/2015 Foley et al.
 2001/0007918 A1 7/2001 Vilsmeier et al.
 2002/0095081 A1 7/2002 Vilsmeier
 2004/0024309 A1 2/2004 Ferre et al.

600/104

FOREIGN PATENT DOCUMENTS

CA 1336451 C * 7/1995
 DE 3042343 A1 6/1982
 DE 3508730 9/1986
 DE 3717871 12/1988
 DE 3831278 A1 3/1989
 DE 3838011 7/1989
 DE 4213426 A1 10/1992
 DE 4225112 C1 12/1993
 DE 4233978 C1 4/1994
 DE 19715202 A1 10/1998
 DE 19751761 A1 10/1998
 DE 19832296 2/1999
 DE 19747427 A1 5/1999
 DE 10085137 11/2002
 EP 0062941 10/1982
 EP 0119660 9/1984
 EP 0155857 A2 9/1985
 EP 0 326 768 12/1988
 EP 0319844 A1 6/1989
 EP 0326768 8/1989
 EP 0350996 1/1990
 EP 0 501 993 B1 11/1990
 EP 0419729 A1 4/1991
 EP 0427358 5/1991
 EP 0 469 966 A1 7/1991

(56)

References Cited

FOREIGN PATENT DOCUMENTS

EP	0456103	11/1991
EP	0469966	2/1992
EP	0501993 A1	9/1992
EP	0581704	2/1994
EP	0651968	5/1995
EP	0655138	5/1995
EP	0894473	2/1999
EP	0908146	4/1999
EP	0930046	7/1999
FR	2417970	9/1979
FR	2618211	11/1991
GB	2094590	9/1982
GB	2164856 A	4/1986
JP	62327	6/1983
JP	61-94639 A	10/1984
JP	63240851 A	10/1988
JP	2765738	4/1991
JP	3267054	11/1991
WO	WO-8809151	12/1988
WO	WO-8905123 A1	6/1989
WO	WO 90/05494	5/1990
WO	WO-9005494 A1	5/1990
WO	WO 91/04711	4/1991
WO	WO-9103982	4/1991
WO	WO-9104711	4/1991
WO	WO 91/07726	5/1991
WO	WO-9107726 A1	5/1991
WO	WO-9203090	3/1992
WO	WO 92/06645	4/1992
WO	WO-9206645 A1	4/1992
WO	WO-9404938 A1	3/1994
WO	WO-9423647	10/1994
WO	WO-9424933	11/1994
WO	WO-9507055	3/1995
WO	WO 96/11624	4/1996
WO	WO-9611624 A2	4/1996
WO	WO-9632059 A1	10/1996
WO	WO97/15234	5/1997
WO	WO-9715234 A1	5/1997
WO	WO-9736192 A1	10/1997
WO	WO-9749453 A1	12/1997
WO	WO-9808554	3/1998
WO	WO-9838908	9/1998
WO	WO-9915097	4/1999
WO	WO-9921498 A1	5/1999
WO	WO-9923956	5/1999
WO	WO-9926549	6/1999
WO	WO-9929253	6/1999
WO	WO-9933406	7/1999
WO	WO-9937208 A1	7/1999
WO	WO-9938449	8/1999
WO	WO-99/27839	10/1999
WO	WO-9952094	10/1999
WO	WO-9960939	12/1999
WO	WO-0130437	5/2001

OTHER PUBLICATIONS

Alignment Procedure for the PixSys Two-Emitter Offset Probe for the SAC GP-8-3d Sonic Digitizer, PixSys, Jul. 2, 1992, pp. 1-4.*

Bucholz et al., Richard D. Intraoperative localization using a three dimensional optical digitizer Proceeding of Clinical Applications of Modern Imaging Technology, SPIE vol. 1894 (Jan. 19, 1993), pp. 312-322.*

Adams et al., Computer-Assisted Surgery, IEEE Computer Graphics & Applications, pp. 43-51, (May 1990).

Adams, L., et al., "Aide Au Reperage Tridimensionnel Pour La Chirurgie de la Base du Crane," Innov. Tech. Biol. Med., vol. 13, No. 4, pp. 409-424, 1992.

Barrick et al., "Prophylactic Intramedullary Fixation of the Tibia for Stress Fracture in a Professional Athlete," Journal of Orthopaedic Trauma, vol. 6, No. 2, pp. 241-244 (1992).

Barrick et al., "Technical Difficulties with the Brooker-Wills Nail in Acute Fractures of the Femur," Journal of Orthopaedic Trauma, vol. 6, No. 2, pp. 144-150 (1990).

Barrick, "Distal Locking Screw Insertion Using a Cannulated Drill Bit: Technical Note," Journal of Orthopaedic Trauma, vol. 7, No. 3, 1993, pp. 248-251.

Batnitzky et al., "Three-Dimensional Computer Reconstructions of Brain Lesions from Surface Contours Provided by Computed Tomography: A Prospectus," Neurosurgery, vol. 11, No. 1, Part 1, 1982, pp. 73-84.

Benzel et al., "Magnetic Source Imaging: a Review of the Magnes System of Biomagnetic Technologies Incorporated," Neurosurgery, vol. 33, No. 2 (Aug. 1993), pp. 252-259.

Bergstrom et al. Stereotaxic Computed Tomography, Am. J. Roentgenol, vol. 127 pp. 167-170 (1976).

Bouazza-Marouf et al.; "Robotic-Assisted Internal Fixation of Femoral Fractures", IMECHE., pp. 51-58 (1995).

Brack et al., "Accurate X-ray Based Navigation in Computer-Assisted Orthopedic Surgery," CAR '98, pp. 716-722.

Brown, R., M.D., A Stereotactic Head Frame for Use with CT Body Scanners, Investigative Radiology .Copyrgt. J.B. Lippincott Company, pp. 300-304 (Jul.-Aug. 1979).

Bryan, "Bryan Cervical Disc System Single Level Surgical Technique", Spinal Dynamics, 2002, pp. 1-33.

Bucholz et al., "Variables affecting the accuracy of stereotactic localization using computerized tomography," Journal of Neurosurgery, vol. 79, Nov. 1993, pp. 667-673.

Bucholz et al., Richard D.; "Clinical Applications of Modern Imaging Technology," SPIE vol. 1894; pp. 312-322; Jan. 19, 1993.

Bucholz, R.D., et al. Image-guided surgical techniques for infections and trauma of the central nervous system, Neurosurg. Clinics of N.A., vol. 7, No. 2, pp. 187-200 (1996).

Bucholz, R.D., et al., A Comparison of Sonic Digitizers Versus Light Emitting Diode-Based Localization, Interactive Image-Guided Neurosurgery, Chaster 16, pp. 179-200 (1993).

Bucholz, R.D., et al., Intraoperative localization using a three dimensional optical digitizer, SPIE—The Intl. Soc. for Opt. Eng., vol. 1894, pp. 312-322 (Jan. 17-19, 1993).

Bucholz, R.D., et al., Intraoperative Ultrasonic Brain Shift Monitor and Analysis, Stealth Station Marketing Brochure (2 pages) (undated).

Bucholz, R.D., et al., The Correction of Stereotactic Inaccuracy Caused by Brain Shift Using an Intraoperative Ultrasound Device, First Joint Conference, Computer Vision, Virtual Reality and Robotics in Medicine and Medical Robotics and Computer-Assisted Surgery, Grenoble, France, pp. 459-466 (Mar. 19-22, 1997).

Champleboux et al., "Accurate Calibration of Cameras and Range Imaging Sensors: the NPBS Method," IEEE International Conference on Robotics and Automation, Nice, France, May 1992.

Champleboux, "Utilisation de Fonctions Splines pour la Mise au Point D'un Capteur Tridimensionnel sans Contact," Quelsues Applications Medicales, Jul. 1991.

Cinquin et al., "Computer Assisted Medical Interventions," IEEE Engineering in Medicine and Biology, May/Jun. 1995, pp. 254-263.

Cinquin et al., "Computer Assisted Medical Interventions," International Advanced Robotics Programme, Sep. 1989, pp. 63-65.

Clarysse et al., "A Computer-Assisted System for 3-D Frameless Localization in Stereotaxic MRI," IEEE Transactions on Medical Imaging, vol. 10, No. 4, Dec. 1991, pp. 523-529.

Cutting M.D. et al., Optical Tracking of Bone Fragments During Craniofacial Surgery, Second Annual International Symposium on Medical Robotics and Computer Assisted Surgery, pp. 221-225, (Nov. 1995).

Feldmar et al., "3D-2D Projective Registration of Free-Form Curves and Surfaces," Rapport de recherche recherche (Inria Sophia Antipolis), 1994, pp. 1-44.

Foley et al., "Fundamentals of Interactive Computer Graphics," The Systems Programming Series, Chapter 7, Jul. 1984, pp. 245-266.

Foley et al., "Image-guided Intraoperative Spinal Localization," Intraoperative Neuroprotection, Chapter 19, 1996, pp. 325-340.

Foley, "The StealthStation: Three-Dimensional Image-Interactive Guidance for the Spine Surgeon," Spinal Frontiers, Apr. 1996, pp. 7-9.

(56)

References Cited

OTHER PUBLICATIONS

- Friets, E.M., et al. A Frameless Stereotaxic Operating Microscope for Neurosurgery, *IEEE Trans. on Biomed. Eng.*, vol. 36, No. 6, pp. 608-617 (Jul. 1989).
- Gallen, C.C., et al., Intracranial Neurosurgery Guided by Functional Imaging, *Surg. Neurol.*, vol. 42, pp. 523-530 (1994).
- Galloway, R.L., et al., Interactive Image-Guided Neurosurgery, *IEEE Trans. on Biomed. Eng.*, vol. 89, No. 12, pp. 1226-1231 (1992).
- Galloway, R.L., Jr. et al, Optical localization for interactive, image-guided neurosurgery, *SPIE*, vol. 2164, pp. 137-145 (undated).
- Gildenberg et al., "Calculation of Stereotactic Coordinates from the Computed Tomographic Scan," *Neurosurgery*, vol. 10, No. 5, May 1982, pp. 580-586.
- Gomez, C.R., et al., Transcranial Doppler Ultrasound Following Closed Head Injury: Vasospasm or Vasoparalysis?, *Surg. Neurol.*, vol. 35, pp. 30-35 (1991).
- Gonzalez, "Digital Image Fundamentals," *Digital Image Processing*, Second Edition, 1987, pp. 52-54.
- Gottesfeld Brown et al., "Registration of Planar Film Radiographs with Computer Tomography," *Proceedings of MMBIA*, Jun. 1996, pp. 42-51.
- Grimson, W.E.L., An Automatic Registration Method for Frameless Stereotaxy, Image Guided Surgery, and enhanced Reality Visualization, *IEEE*, pp. 430-436 (1994).
- Grimson, W.E.L., et al., Virtual-reality technology is giving surgeons the equivalent of x-ray vision helping them to remove tumors more effectively, to minimize surgical wounds and to avoid damaging critical tissues, *Sci. Amer.*, vol. 280, No. 6, pp. 62-69 (Jun. 1999).
- Gueziec et al., "Registration of Computed Tomography Data to a Surgical Robot Using Fluoroscopy: A Feasibility Study," *Computer Science/Mathematics*, Sep. 27, 1996, 6 pages.
- Guthrie, B.L., Graphic-Interactive Cranial Surgery: The Operating Arm System, *Handbook of Stereotaxy Using the CRW Apparatus*, Chapter 13, pp. 193-211 (undated).
- Hamadeh et al, "Kinematic Study of Lumbar Spine Using Functional Radiographies and 3D/2D Registration," *TIMC UMR 5525—IMAG*.
- Hamadeh et al., "Automated 3-Dimensional Computed Tomographic and Fluoroscopic Image Registration," *Computer Aided Surgery* (1998), 3:11-19.
- Hamadeh et al., "Towards Automatic Registration Between CT and X-ray Images: Cooperation Between 3D/2D Registration and 2D Edge Detection," *MRCAS '95*, pp. 39-46.
- Hardy, T., M.D., et al., CASS: A Program for Computer Assisted Stereotaxic Surgery, *The Fifth Annual Symposium on Computer Applications in Medical Care*, Proceedings, Nov. 1-4, 1981, *IEEE*, pp. 1116-1126, (1981).
- Hatch, "Reference-Display System for the Integration of CT Scanning and the Operating Microscope," Thesis, Thayer School of Engineering, Oct. 1984, pp. 1-189.
- Hatch, et al., "Reference-Display System for the Integration of CT Scanning and the Operating Microscope", *Proceedings of the Eleventh Annual Northeast Bioengineering Conference*, Mar. 14-15, 1985, pp. 252-254.
- Heilbrun et al., "Preliminary experience with Brown-Roberts-Wells (BRW) computerized tomography stereotaxic guidance system," *Journal of Neurosurgery*, vol. 59, Aug. 1983, pp. 217-222.
- Heilbrun, M.D., *Progressive Technology Applications, Neurosurgery for the Third Millennium*, Chapter 15, J. Whitaker & Sons, Ltd., Amer. Assoc. of Neurol. Surgeons, pp. 191-198 (1992).
- Heilbrun, M.P., et al., Stereotactic Localization and Guidance Using a Machine Vision Technique, *Stereotact & Funct. Neurosurg.*, *Proceed. of the Mtg. of the Amer. Soc. for Sterot. and Funct. Neurosurg.* (Pittsburgh, PA) vol. 58, pp. 94-98 (1992).
- Henderson et al., "An Accurate and Ergonomic Method of Registration for Image-guided Neurosurgery," *Computerized Medical Imaging and Graphics*, vol. 18, No. 4, Jul.-Aug. 1994, pp. 273-277.
- Hoerenz, "The Operating Microscope I. Optical Principles, Illumination Systems, and Support Systems," *Journal of Microsurgery*, vol. 1, 1980, pp. 364-369.
- Hofstetter et al., "Fluoroscopy Based Surgical Navigation—Concept and Clinical Applications," *Computer Assisted Radiology and Surgery*, 1997, pp. 956-960.
- Horner et al., "A Comparison of CT-Stereotaxic Brain Biopsy Techniques," *Investigative Radiology*, Sep.-Oct. 1984, pp. 367-373.
- Hounsfield, "Computerized transverse axial scanning (tomography): Part 1. Description of system," *British Journal of Radiology*, vol. 46, No. 552, Dec. 1973, pp. 1016-1022.
- Jacques et al., "A Computerized Microstereotactic Method to Approach, 3-Dimensionally Reconstruct, Remove and Adjuvantly Treat Small CNS Lesions," *Applied Neurophysiology*, vol. 43, 1980, pp. 176-182.
- Jacques et al., "Computerized three-dimensional stereotaxic removal of small central nervous system lesion in patients," *J. Neurosurg.*, vol. 53, Dec. 1980, pp. 816-820.
- Joskowicz et al., "Computer-Aided Image-Guided Bone Fracture Surgery: Concept and Implementation," *CAR '98*, pp. 710-715.
- Kall, B., The Impact of Computer and Imaging Technology on Stereotactic Surgery, *Proceedings of the Meeting of the American Society for Stereotactic and Functional Neurosurgery*, pp. 10-22 (1987).
- Kato, A., et al., A frameless, armless navigational system for computer-assisted neurosurgery, *J. Neurosurg.*, vol. 74, pp. 845-849 (May 1991).
- Kelly et al., "Computer-assisted stereotaxic laser resection of intra-axial brain neoplasms," *Journal of Neurosurgery*, vol. 64, Mar. 1986, pp. 427-439.
- Kelly et al., "Precision Resection of Intra-Axial CNS Lesions by CT-Based Stereotactic Craniotomy and Computer Monitored CO2 Laser," *Acta Neurochirurgica*, vol. 68, 1983, pp. 1-9.
- Kelly, P.J., Computer Assisted Stereotactic Biopsy and Volumetric Resection of Pediatric Brain Tumors, *Brain Tumors in Children*, *Neurologic Clinics*, vol. 9, No. 2, pp. 317-336 (May 1991).
- Kelly, P.J., Computer-Directed Stereotactic Resection of Brain Tumors, *Neurologica Operative Atlas*, vol. 1, No. 4, pp. 299-313 (1991).
- Kelly, P.J., et al., Results of Computed Tomography-based Computer-assisted Stereotactic Resection of Metastatic Intracranial Tumors, *Neurosurgery*, vol. 22, No. 1, Part 1, 1988, pp. 7-17 (Jan. 1988).
- Kelly, P.J., Stereotactic Imaging, Surgical Planning and Computer-Assisted Resection of Intracranial Lesions: Methods and Results, *Advances and Technical Standards in Neurosurgery*, vol. 17, pp. 78-118, (1990).
- Kim, W.S. et al., A Helmet Mounted Display for Telerobotics, *IEEE*, pp. 543-547 (1988).
- Klimek, L., et al., Long-Term Experience with Different Types of Localization Systems in Skull-Base Surgery, *Ear, Nose & Throat Surgery*, Chapter 51, pp. 635-638 (undated).
- Kosugi, Y., et al., An Articulated Neurosurgical Navigation System Using MRI and CT Images, *IEEE Trans. on Biomed. Eng.* vol. 35, No. 2, pp. 147-152 (Feb. 1988).
- Kwoh, Y.S., Ph.D., et al., A New Computerized Tomographic-Aided Robotic Stereotaxis System, *Robotics Age*, vol. 7, No. 6, pp. 17-22 (Jun. 1985).
- Laitinen et al., "An Adapter for Computed Tomography-Guided, Stereotaxis," *Surg. Neurol.*, 1985, pp. 559-566.
- Laitinen, "Noninvasive multipurpose stereoadapter," *Neurological Research*, Jun. 1987, pp. 137-141.
- Lavallee et al, "Matching 3-D Smooth Surfaces with their 2-D Projections using 3-D Distance Maps," *SPIE*, vol. 1570, *Geometric Methods in Computer Vision*, 1991, pp. 322-336.
- Lavallee et al., "Computer Assisted Driving of a Needle into the Brain," *Proceedings of the International Symposium CAR '89, Computer Assisted Radiology*, 1989, pp. 416-420.
- Lavallee et al., "Computer Assisted Interventionist Imaging: The Instance of Stereotactic Brain Surgery," *North-Holland MEDINFO 89, Part 1*, 1989, pp. 613-617.

(56)

References Cited

OTHER PUBLICATIONS

- Lavallee et al., "Computer Assisted Spine Surgery: A Technique for Accurate Transpedicular Screw Fixation Using CT Data and a 3-D Optical Localizer," TIMC, Faculte de Medecine de Grenoble.
- Lavallee et al., "Image guided operating robot: a clinical application in stereotactic neurosurgery," Proceedings of the 1992 IEEE International Conference on Robotics and Automation, May 1992, pp. 618-624.
- Lavallee et al., "Matching of Medical Images for Computed and Robot Assisted Surgery," IEEE EMBS, Orlando, 1991.
- Lavallee, "A New System for Computer Assisted Neurosurgery," IEEE Engineering in Medicine & Biology Society 11th Annual International Conference, 1989, pp. 0926-0927.
- Lavallee, "VI Adaption de la Methodologie a Quelques Applications Cliniques," Chapitre VI, pp. 133-148.
- Lavallee, S., et al., Computer Assisted Knee Anterior Cruciate Ligament Reconstruction First Clinical Tests, Proceedings of the First International Symposium on Medical Robotics and Computer Assisted Surgery, pp. 11-16 (Sep. 1994).
- Lavallee, S., et al., Computer Assisted Medical Interventions, NATO ASI Series, vol. F 60, 3d Imaging in Medic., pp. 301-312 (1990).
- Leavitt, D.D., et al., Dynamic Field Shaping to Optimize Stereotactic Radiosurgery, I.J. Rad. Onc. Biol. Phys., vol. 21, pp. 1247-1255 (1991).
- Leksell et al., "Stereotaxis and Tomography—A Technical Note," ACTA Neurochirurgica, vol. 52, 1980, pp. 1-7.
- Lemieux et al., "A Patient-to-Computed-Tomography Image Registration Method Based on Digitally Reconstructed Radiographs," Med. Phys. 21 (11), Nov. 1994, pp. 1749-1760.
- Levin et al., "The Brain: Integrated Three-dimensional Display of MR and PET Images," Radiology, vol. 172, No. 3, Sep. 1989, pp. 783-789.
- Maurer, Jr., et al., Registration of Head CT Images to Physical Space Using a Weighted Combination of Points and Surfaces, IEEE Trans. on Med. Imaging, vol. 17, No. 5, pp. 753-761 (Oct. 1998).
- Mazier et al., "Computer-Assisted Interventionist Imaging: Application to the Vertebral Column Surgery," Annual International Conference of the IEEE Engineering in Medicine and Biology Society, vol. 12, No. 1, 1990, pp. 0430-0431.
- Mazier et al., Chirurgie de la Colonne Vertebrale Assiste par Ordinateur: Application au Vissage Pediculaire, Innov. Tech. Biol. Med., vol. 11, No. 5, 1990, pp. 559-566.
- McGirr, S., M.D., et al., Stereotactic Resection of Juvenile Pilocytic Astrocytomas of the Thalamus and Basal Ganglia, Neurosurgery, vol. 20, No. 3, pp. 447-452, (1987).
- Merloz, et al., "Computer Assisted Spine Surgery", Clinical Assisted Spine Surgery, No. 337, pp. 86-96.
- Ng, W.S. et al., Robotic Surgery—A First-Hand Experience in Transurethral Resection of the Prostate Surgery, IEEE Eng. in Med. and Biology, pp. 120-125 (Mar. 1993).
- Pelizzari et al., "Accurate Three-Dimensional Registration of CT, PET, and/or MR Images of the Brain," Journal of Computer Assisted Tomography, Jan./Feb. 1989, pp. 20-26.
- Pelizzari et al., "Interactive 3D Patient-Image Registration," Information Processing in Medical Imaging, 12th International Conference, IPMI '91, Jul. 7-12, 136-141 (A.C.F. Colchester et al. eds. 1991).
- Pelizzari et al., No. 528—"Three Dimensional Correlation of PET, CT and MRI Images," The Journal of Nuclear Medicine, vol. 28, No. 4, Apr. 1987, p. 682.
- Penn, R.D., et al., Stereotactic Surgery with Image Processing of Computerized Tomographic Scans, Neurosurgery, vol. 3, No. 2, pp. 157-163 (Sep.-Oct. 1978).
- Phillips et al., "Image Guided Orthopaedic Surgery Design and Analysis," Trans Inst. MC, vol. 17, No. 5, 1995, pp. 251-264.
- Potamianos et al., "Intra-Operative Imaging Guidance for Keyhole Surgery Methodology and Calibration," First International Symposium on Medical Robotics and Computer Assisted Surgery, Sep. 22-24, 1994, pp. 98-104.
- Reinhardt et al., "CT-Guided 'Real Time' Stereotaxy," ACTA Neurochirurgica, 1989.
- Reinhardt, H., et al., A Computer Assisted Device for Intraoperative CT-Correlated Localization of Brain Tumors, pp. 51-58 (1988).
- Reinhardt, H.F. et al., Sonic Stereometry in Microsurgical Procedures for Deep Seated Brain Tumors and Vascular Malformations, Neurosurgery, vol. 32, No. 1, pp. 51-57 (Jan. 1993).
- Reinhardt H.F., et al., Mikrochirurgische Entfernung tiefliegender Gefa.beta.mi.beta.bildungen mit Hilfe der Sonar-Stereometrie (Microsurgical Removal of Deep-Seated Vascular Malformations Using Sonar Stereometry). Ultraschall in Med. 12, pp. 80-83(1991).
- Reinhardt, Hans. F., Neuronavigation: A Ten Year Review, Neurosurgery, pp. 329 341 (undated).
- Roberts et al., "A frameless stereotaxic integration of computerized tomographic imaging and the operating microscope," J. Neurosurg., vol. 65, Oct. 1986, pp. 545-549.
- Rosenbaum et al., "Computerized Tomography Guided Stereotaxis: A New Approach," Applied Neurophysiology, vol. 43, No. 3-5, 1980, pp. 172-173.
- Sautot, "Vissage Pediculaire Assiste Par Ordinateur," Sep. 20, 1994.
- Schueler et al., "Correction of Image Intensifier Distortion for Three-Dimensional X-Ray Angiography," SPIE Medical Imaging 1995, vol. 2432, pp. 272-279.
- Selvik et al., "A Roentgen Stereophotogrammetric System," Acta Radiologica Diagnosis, 1983, pp. 343-352.
- Simon, D.A., Accuracy Validation in Image-Guided Orthopaedic Surgery, Second Annual Intl. Symp. on Med. Rob. an Comp-Assisted surgery, MRCAS '95, pp. 185-192 (undated).
- Skip Jacques, et al., "A Computerized Microstereotactic Method to Approach, 3-Dimensionally Reconstruct, Remove and Adjuvantly Treat Small CNS Lesions," Meeting of the Amer. Soc. Stereotactic & Functional Neurosurgery, Houston 1980, Appl.Neurophysiol. 43: 176-182 (1980).
- Smith et al., "Computer Methods for Improved Diagnostic Image Display Applied to Stereotactic Neurosurgery," Automedical, vol. 14, 1992, pp. 371-382 (4 unnumbered pages).
- Smith, K.R., et al. Multimodality Image Analysis and Display Methods for Improved Tumor Localization in Stereotactic Neurosurgery, Annul Intl. Conf. of the IEEE Eng. in Med. and Biol. Soc., vol. 13, No. 1, p. 210 (1991).
- Tan, K., Ph.D., et al., A frameless stereotactic approach to neurosurgical planning based on retrospective patient-image registration, J Neurosurg, vol. 79, pp. 296-303 (Aug. 1993).
- Thompson, et al., A System for Anatomical and Functional Mapping of the Human Thalamus, Computers and Biomedical Research, vol. 10, pp. 9-24 (1977).
- Trobraugh, J.W., et al., Frameless Stereotactic Ultrasonography: Method and Applications, Computerized Medical Imaging and Graphics, vol. 18, No. 4, pp. 235-246 (1994).
- Viant et al., "A Computer Assisted Orthopaedic System for Distal Locking of Intramedullary Nails," Proc. of MediMEC '95, Bristol, 1995, pp. 86-91.
- Von Hanwhr et al., Foreword, Computerized Medical Imaging and Graphics, vol. 18, No. 4, pp. 225-228, (Jul.-Aug. 1994).
- Wang, M.Y., et al., An Automatic Technique for Finding and Localizing Externally Attached Markers in CT and MR Volume Images of the Head, IEEE Trans. on Biomed. Eng., vol. 43, No. 6, pp. 627-637 (Jun. 1996).
- Watanabe et al., "Three-Dimensional Digitizer (Neuronavigator): New Equipment for Computed Tomography-Guided Stereotaxic Surgery," Surgical Neurology, vol. 27, No. 6, Jun. 1987, pp. 543-547.
- Watanabe, "Neuronavigator," Igaku-no-Ayumi, vol. 137, No. 6, May 10, 1986, pp. 1-4.
- Watanabe, E., M.D., et al., Open Surgery Assisted by the Neuronavigator, a Stereotactic, Articulated, Sensitive Arm, Neurosurgery, vol. 28, No. 6, pp. 792-800 (1991).
- Weese et al., "An Approach to 2D/3D Registration of a Vertebra in 2D X-ray Fluoroscopies with 3D CT Images," pp. 119-128.
- "Prestige Cervical Disc System Surgical Technique", 12 pgs.
- Adams et al., "Orientation Aid for Head and Neck Surgeons," Innov. Tech. Biol. Med., vol. 13, No. 4, 1992, pp. 409-424.

(56)

References Cited

OTHER PUBLICATIONS

Adams, L., et al., "Aide Au Reperage Tridimensionnel Pour La Chirurgie de la Base du Crane," *Innov. Tech. Biol. Med.*, vol. 13, No. 4 pp. 409-424, 1992.

Bucholz, Richard D., "Halo vest versus spinal fusion for cervical injury: evidence from an outcome study," *J. Neurosurg* 70:884-892, Jun. 1989.

Germano, "Instrumentation, Technique and Technology", *Neurosurgery*, vol. 37, No. 2, Aug. 1995, pp. 348-350.

Heilbrun, M.P., *Computed Tomography—Guided Stereotactic Systems*, *Clinical Neurosurgery*, Chapter 31, pp. 564-581 (1983).

Krybus, W., et al., *Navigation Support for Surgery by Means of Optical Position Detection*, *Computer Assisted Radiology Proceed. of the Intl. Symp. CAR '91 Computed Assisted Radiology*, pp. 362-366 (Jul. 3-6, 1991).

Laitenen: *The Laitenen Stereotactic System*; STT, 5 pages, 1980.

Pixsys, *3-D Digitizing Accessories*, by Pixsys (marketing brochure)(undated) (2 pages).

Reinhardt, H.F. et al., *Sonic Stereometry in Microsurgical Procedures for Deep-Seated Brain Tumors and Vascular Malformations*, *Neurosurgery*, vol. 32, No. 1, pp. 51-57 (Jan. 1993).

Shelden et al., "Development of a computerized microstereotaxic method for localization and removal of minute CNS lesions under direct 3-D vision," *J. Neurosurg.*, vol. 52, 1980, pp. 21-27.

Smith et al., "The Neurostation.TM.—A Highly Accurate, Minimally Invasive Solution to Frameless Stereotactic Neurosurgery," *Computerized Medical Imaging and Graphics*, vol. 18, Jul.-Aug. 1994, pp. 247-256.

M. Peter Heilbrun, M.D., "Computer Tomography-Guided Stereotactic Systems," *Computed Tomographic Stereotaxy*, Ch.31 pp. 564-581, 1983.

W. Krybus, et al., "Navigation Support for Surgery by Means of Optical Position Detection," p. 362-366, 1990.

Offset Probe for SAC GP8-3d Digitizer, 2 pages, not dated.

"3-D Digitizing Accessories," PixSys, Jul. 2, 1992, 6 pages.

Richard D. Bucholz, M.D., et al., "Poster #1120, Use of an Intraoperative Optical Digitizer in a System for Free-Hand Stereotactic Surgery," *Scientific Program, Am. Assoc. of Neurological Surgeons 1992 Annual Meeting*, pp. 284-285, Apr. 16, 1992.

* cited by examiner

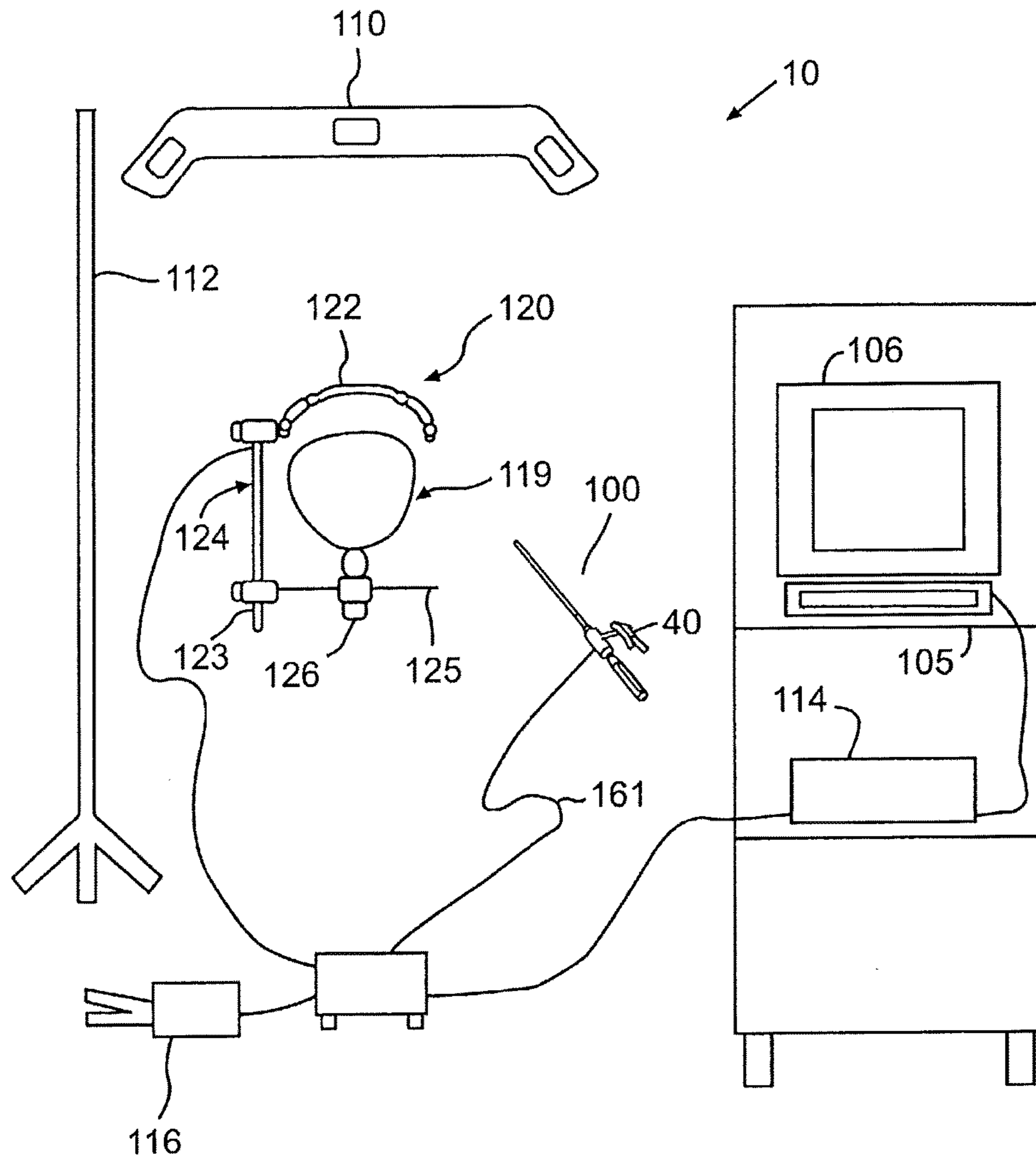


FIG. 1

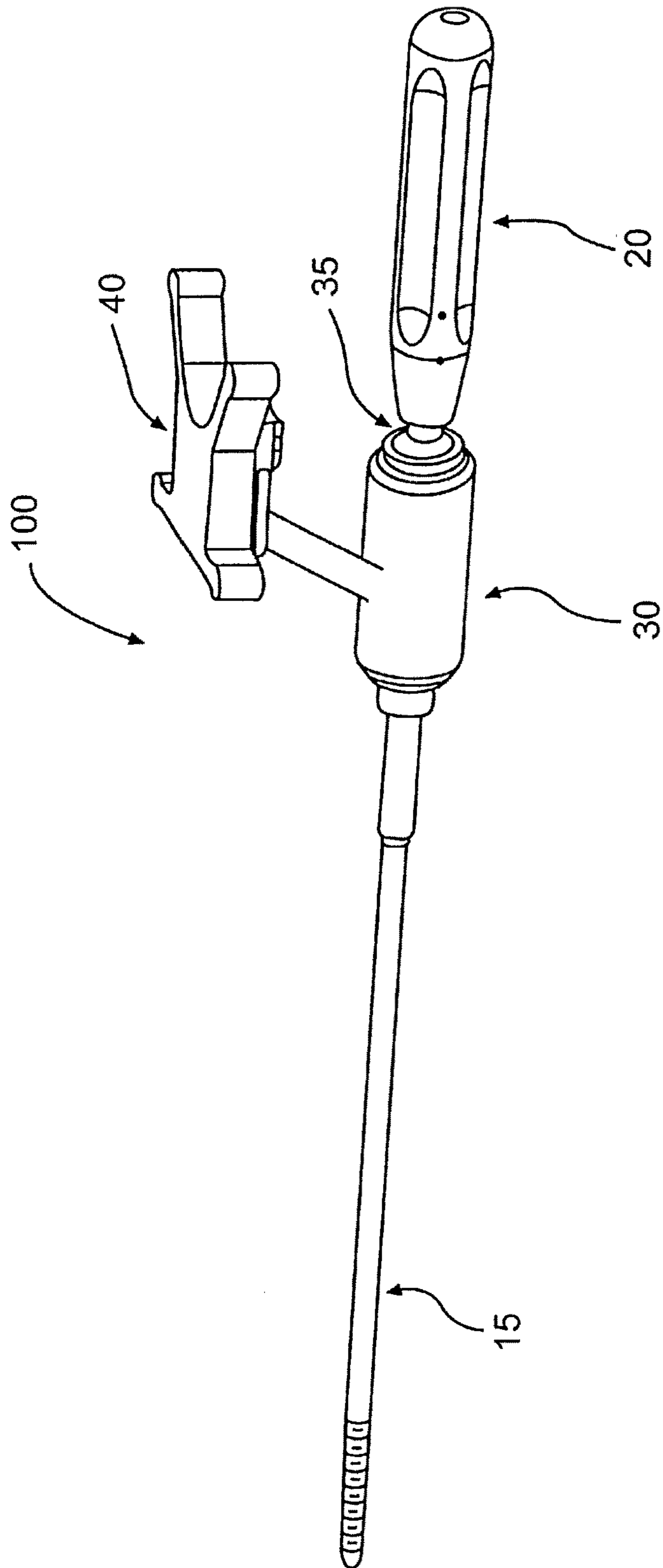
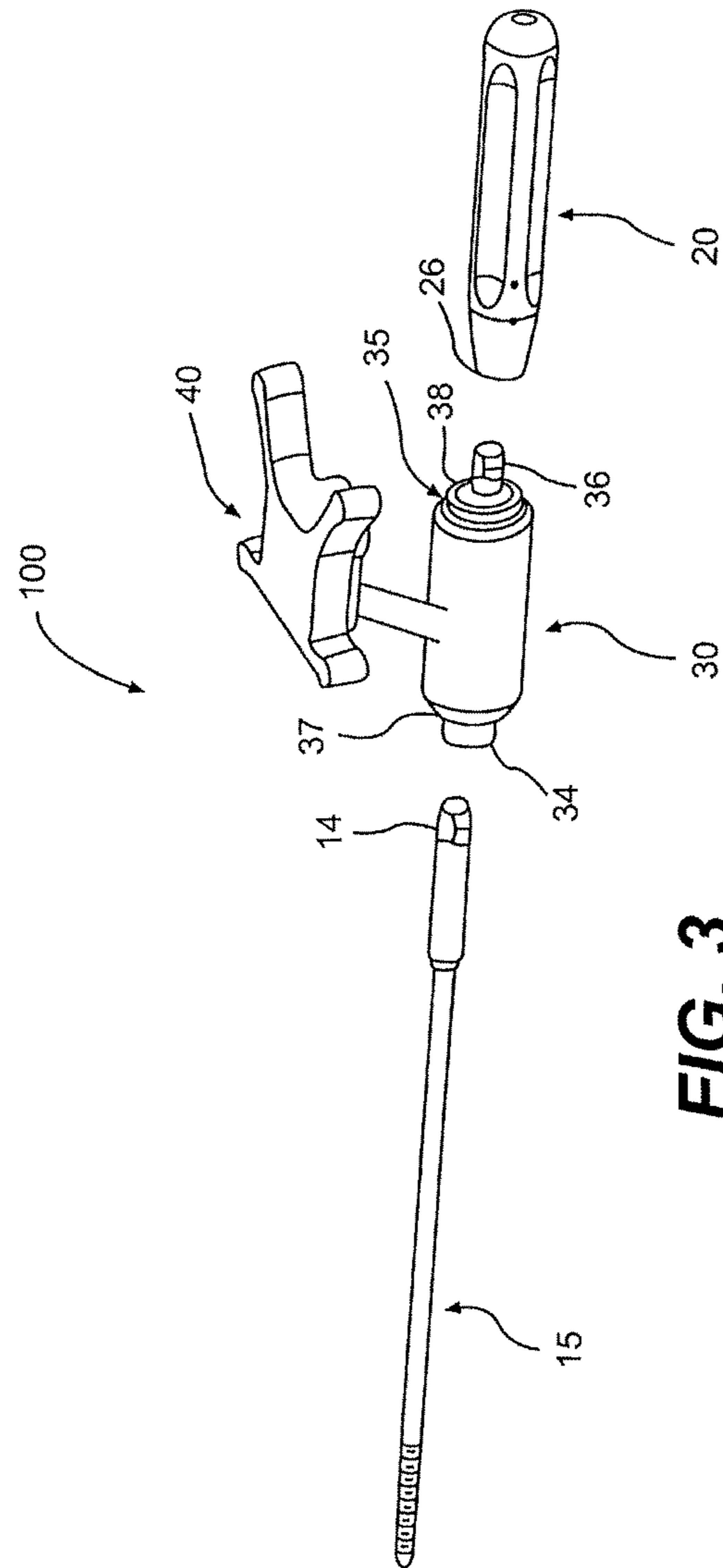
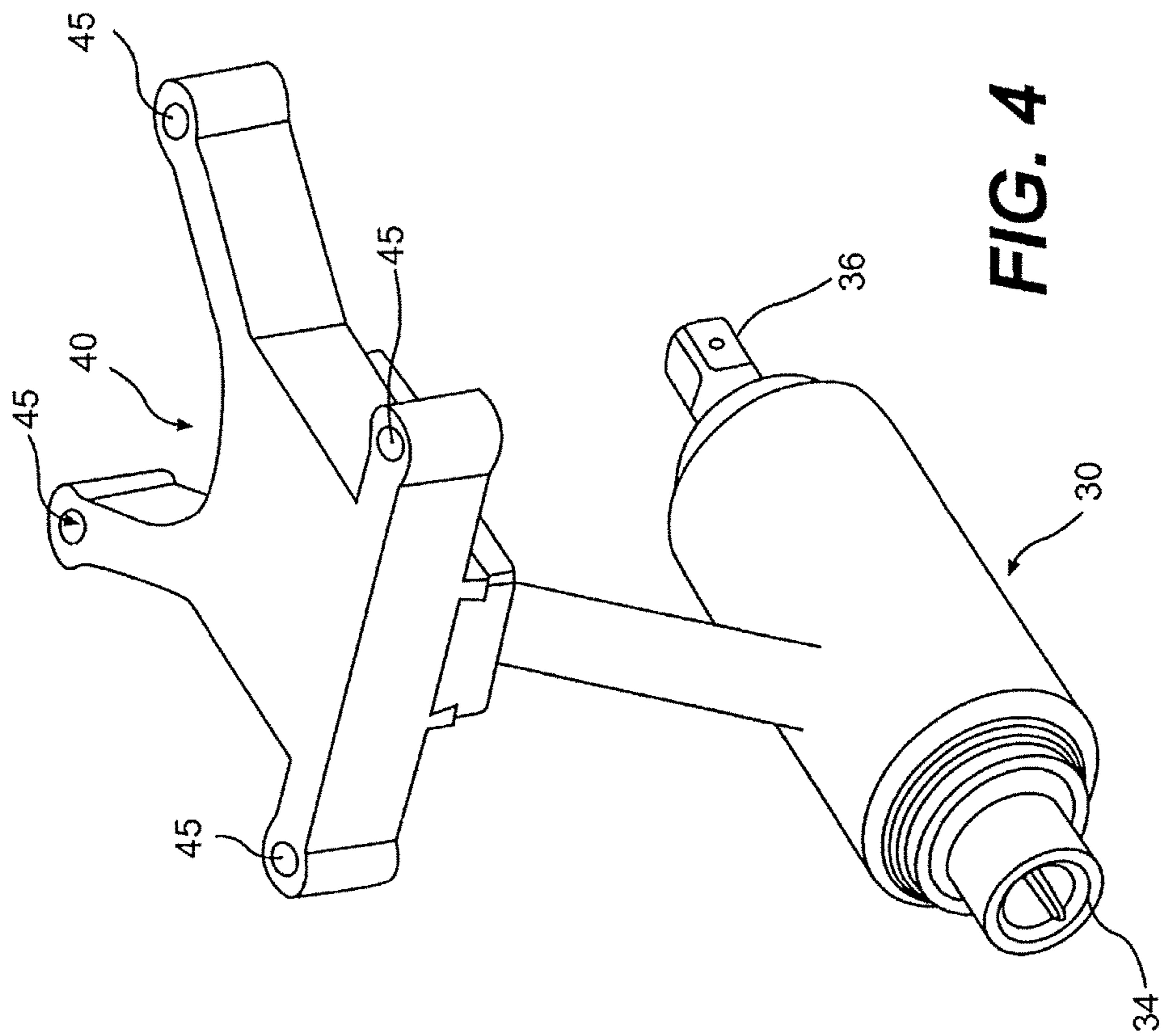


FIG. 2





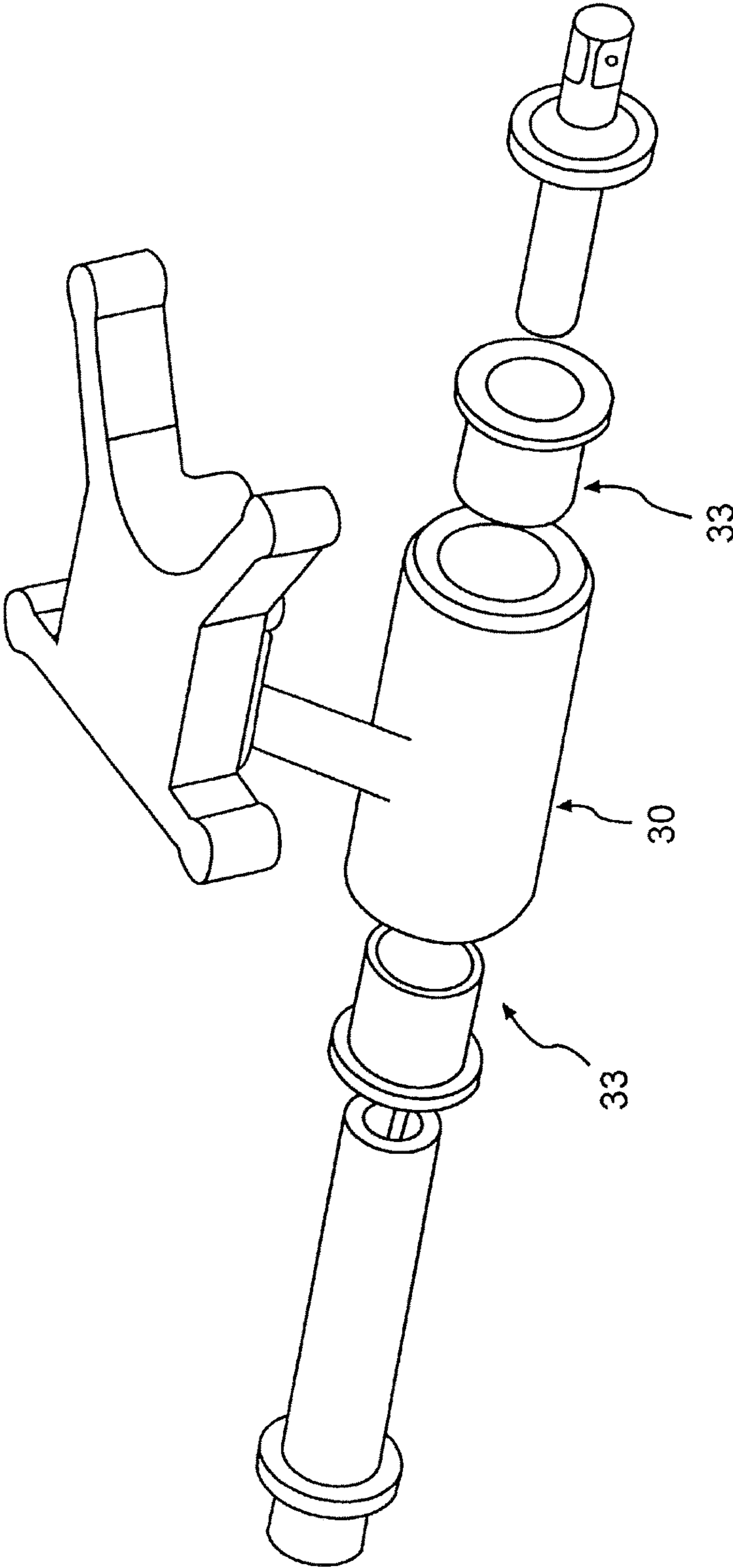


FIG. 5

IMAGE GUIDED AWL/TAP/SCREWDRIVER

Matter enclosed in heavy brackets [] appears in the original patent but forms no part of this reissue specification; matter printed in italics indicates the additions made by reissue; a claim printed with strikethrough indicates that the claim was canceled, disclaimed, or held invalid by a prior post-patent action or proceeding.

This application is a reissue of U.S. Pat. No. 6,021,343 issued on Feb. 1, 2000 and also claims benefit under 35 U.S.C. §120 as a continuation of currently U.S. patent application Ser. No. 13/453,709, filed on Apr. 23, 2012; which is also a reissue of U.S. Pat. No. 6,021,343 issued on Feb. 1, 2000; which claims benefit under 35 U.S.C. §120 as a continuation of U.S. Pat. No. Re. 43,328, which is also a reissue of U.S. Pat. No. 6,021,343 issued on Feb. 1, 2000. The disclosures of the above applications are incorporated herein by reference.

BACKGROUND OF THE INVENTION

1. Field of the Invention

The present invention relates generally to computer assisted image guided medical and surgical navigation systems that generate images during medical and surgical procedures indicating the relative position of various body parts, surgical implants, and instruments. In particular, the present invention relates to an instrument for use in an image guided surgery navigation system that enables the system to track both the depth and the trajectory of the instrument during surgery.

2. Background of Related Art

Computer assisted image guided medical and surgical navigation systems are known and used to generate images in order to guide a doctor during a surgical procedure. Such systems are disclosed, for example, in U.S. Pat. No. 5,383,454 to Bucholz; PCT application Ser. No. PCT/US94/04530 (Publication No. WO 94/24933) to Bucholz; and PCT application Ser. No. PCT/US95/12984 (Publication No. WO 96/11624) to Bucholz et al., incorporated herein by reference.

In general, these image guided systems use images of a body part, such as CT scans, taken before surgery to generate images on a display, such as a CRT monitor screen, during surgery for representing the position of a surgical instrument with respect to the body part. The systems typically include tracking devices such as, for example, an LED array mounted on a surgical instrument as well as a body part, a digitizer to track in real time the position of the body part and the instrument used during surgery, and a monitor screen to display images representing the body and the position of the instrument relative to the body part as the surgical procedure is performed.

There is a need in the art for a surgically navigable tool for use with these image guided systems that is simple to use and manipulate, that enables the computer tracking system to track both the trajectory of the instrument and the depth that the instrument is inserted into the body, and that is easily interchangeable with alternative drive sources such as a ratcheting handle or other instruments such as awls, taps, and screwdrivers.

SUMMARY OF THE INVENTION

It is therefore an object of the invention to provide an image guided medical instrument whose tip and trajectory can be simultaneously tracked.

It is a further object of the invention to provide an image guided medical instrument capable of generating a signal representing the trajectory and the depth of the tip of the instrument.

It is a still further object of the invention to provide an image guided medical instrument that may easily be used with any number of different tips and handles.

It is another object of the invention to provide an image guided medical instrument that is of relatively simple construction and relatively easy to use.

Additional objects and advantages of the invention will be set forth in the description which follows and, in part, will be obvious from the description or may be learned by practice of the invention. The objects and advantages of the invention will be realized and attained by means of the elements and combinations particularly pointed out in the appended claims.

To achieve the objects and in accordance with the purpose of the invention, as embodied and broadly described herein, the invention comprises a trackable medical instrument for use in a computer assisted image guided surgery system having a digitizer for tracking the position of the instrument in three dimensional space and a display providing an indication of the position of the instrument with respect to images of a body part taken preoperatively. The instrument includes a guide member having an emitter array mounted thereon for being tracked by the digitizer, and a drive shaft contained within the guide member, the drive shaft having a proximal and a distal end, the drive shaft being rotatable within the guide member while being fixable axially within the guide member, the proximal end of the drive shaft having a first connector for interchangeably receiving at least one drive source, and the distal end having a second connector for interchangeably receiving at least one instrument tip. The instrument may further include at least one instrument tip for connection to the distal end of the drive shaft and a drive handle for connection to the proximal end of the drive shaft for transmitting torque to the instrument tip to cause rotation of the instrument tip.

In another aspect of this invention, the instrument may further include a sensor which senses the removal and the connection of an instrument tip to the instrument. The sensor may be an electromechanical switch on the guide member.

It is to be understood that both the foregoing general description and the following detailed description are exemplary and explanatory and are not restrictive of the invention as claimed.

BRIEF DESCRIPTION OF THE DRAWINGS

The accompanying drawings are included to provide a further understanding of the invention and are incorporated in and constitute a part of this specification. The drawings illustrate embodiments of the invention and, together with the description, serve to explain the principles of the invention.

FIG. 1 is a schematic front view of a computer assisted image guided surgery system used with an instrument according to the present invention.

FIG. 2 is a perspective view of an instrument according to the present invention.

FIG. 3 is an exploded view of the instrument shown in FIG. 2.

FIG. 4 is a view of a portion of the instrument shown in FIG. 2.

FIG. 5 is an exploded view of the portion of the instrument shown in FIG. 4.

DESCRIPTION OF THE PREFERRED EMBODIMENTS

Reference will now be made in detail to the present preferred embodiments of the invention, examples of which are illustrated in the accompanying drawings. Wherever possible, the same reference numbers are used in the drawings and the description to refer to the same or like parts.

The medical instrument of the present invention is shown generally at **10** in FIG. 1. Instrument **100** can be used in many known computer assisted image guided surgical navigation systems such the system shown in FIG. 1 and disclosed in PCT application Ser. No. PCT/US95/12984 (Publication No. WO 96/11624) to Bucholz et al., incorporated herein by reference. A computer assisted image guided surgery system, shown at **10**, generates an image for display on a monitor **106** representing the real time position of a body part and the position of instrument **100** relative to the body part.

An image may be generated on monitor **106** from an image data set stored in a controller, such as computer **108**, usually generated preoperatively by some scanning technique such as by a CAT scanner or by magnetic resonance imaging. The image data set and the image generated have reference points for at least one body part. The reference points for the particular body part have a fixed spatial relation to the particular body part.

System **10** also generally includes a processor for processing image data, shown as digitizer control unit **114**. Digitizer control unit **114** is connected to monitor **106**, under control of computer **108**, and to instrument **100**. Digitizer **114**, in conjunction with a reference frame arc **120** and a sensor array **110** or other known position sensing unit, tracks the real time position of a body part, such as a cranium shown at **119** clamped in reference frame **120**, and an instrument **100**. Reference frame **120** has emitters **122** or other tracking means that generate signals representing the position of the various body reference points. Reference frame **120** is fixed spatially in relation to a body part by a clamp assembly indicated generally at **124, 125**, and **126**. Instrument **100** also has a tracking device shown as an emitter array **40** which generates signals representing the position of the instrument during the procedure.

Sensor array **110**, mounted on support **112**, receives and triangulates the signals generated by emitters **122** and emitter array **40** in order to identify during the procedure the relative position of each of the reference points and the instrument. Digitizer **114** and computer **108** may then modify the image data set according to the identified relative position of each of the reference points during the procedure. Computer **108** may then generate an image data set representing the position of the body elements and the instrument during the procedure. System **10** may also include a foot switch **116** connected to instrument **100** and digitizer **114** for controlling operation of the system. The structure and operation of an image guided surgery system is well known in the art and need not be discussed further here.

Referring to FIGS. 2 and 3, an instrument according to the present invention is shown at **100**. Instrument **100** includes a guide member **30**, an interchangeable instrument tip **15**, and an interchangeable driving handle **20**.

A drive shaft **35** is housed within guide member **30** and is removably connected to an end, here the proximal end **37**, to surgical instrument tip **15** and at the other end, here the distal

end **38**, to driving handle **20** such that torque applied manually or by motorized means to drive handle **20** is transmitted to drive shaft **35** which in turn is transmitted to tip **15**. Drive shaft **35**, while it could be extractable such as for service, is fixable axially in relation to guide member **30**, but is rotatable within guide member **30**. As shown in FIG. 5, bushings **33** may be provided at each end of guide member **30** to ensure smooth motion between drive shaft **35** and guide member **30**. Guide member **30** is preferably made of stainless steel, but can also be made of titanium, aluminum or plastic. Shaft **35** is preferably made from stainless steel, titanium, or aluminum.

Instrument **100** further includes a tracking device such as emitter array **40** attached to guide member **30** for tracking the location and trajectory of instrument **100**. As shown in FIG. 4, array **40** is equipped with a plurality of emitters or tracking means **45**, preferably four emitters, for generating a signal representing the trajectory of instrument **100** and the depth of instrument tip **15**. Preferably emitters **45** are light emitting diodes; however, other tracking devices known in the art capable of being tracked by a corresponding sensor array are within the scope of the invention. For purposes of illustration, not limitation, the tracking device may generate signals actively such as with acoustic, magnetic, electromagnetic, radiologic, and micropulsed radar systems, or passively such as with reflective surfaces.

Drive handle **20** and instrument tip **15** are shown as modular units that can be attached to drive shaft **35** with corresponding and interlocking male and female socket joints. As shown in FIGS. 3 and 4, drive shaft **35** has a female socket joint **34** for connection with a male socket **14** on tip **15**, and drive shaft **35** has a male socket joint **36** for connection with a female socket joint **26** on drive handle **20**. With the use of male and female socket joints, various instrument tips and various type and sized drive handles can be easily interchangeable. Instrument tip **15** could be any of a variety of instruments used in surgery such as taps, awls, and shaped tools for interacting with a work piece, such as a screwdriver for driving screws. Drive handle **20** could be any number of existing or specially designed handles and could be ratcheting, nonratcheting or motorized. Instrument tip **15** and drive handle **20** could also be permanently attached to drive shaft **35**. Other suitable connection means are within the scope of the invention as well.

In operation, torque applied to drive handle **20** is transmitted through drive shaft **35** to instrument tip **15**. Because drive shaft **35** is fixed axially in relation to guide member **30**, guide member **30** can remain stationary while drive shaft **35** rotates without translating along the axis of drive shaft **35**. The relationship between array **40** and the axis of drive shaft **35**, therefore, remains constant. Instrument tip **15** is also fixed axially in relation guide member **30**. As a result, the relationship between array **40** and instrument tip **15** also remains constant. Because the relationship between array **40** and tip **15** is constant, the signals emitted by emitters **45** can be used by the computer assisted image guided surgical navigation system to inform the surgeon of the position of instrument **100**, indicating both the trajectory or orientation in three dimensional space of instrument **100** and the length of travel along the trajectory, i.e., the depth instrument tip **15** has been inserted into a body part.

It should be recognized that other variations or modifications may be made to provide an instrument that has an emitter array fixed axially relative to the instrument tip while allowing the instrument tip to rotate relative to the emitter array. For example, guide member **30** may also be integral with instrument tip **15** and/or drive handle **20**. The array

5

could then be fixed axially relative to the instrument and means could be provided to allow rotation of the instrument relative to the array.

As discussed above, a variety of different instrument tips may be easily interchanged on instrument 100. To use these different instrument tips, information concerning the dimensions of the different tips may be entered into computer 108. As a result, computer 108 can process the various image data for the specific instrument tip being used so that system 10 tracks the depth of the tip being used or, in the case of a screwdriver, so that system 10 tracks the depth of the screw being inserted.

System 10 may also be provided with a mechanism to prevent the system from operating after a new tip has been connected until computer 108 has been recalibrated. For example, an electromechanical switch, or other suitable sensors, could be provided on instrument 100 to provide a signal to computer 108 indicating that instrument tip 15 has been removed from instrument 100 or that a new instrument tip 15 has been coupled to instrument 100. The switch is preferably a micro switch but can be embodied by any suitable electrical or electromechanical device or sensing device capable of providing a signal in response to attachment or detachment at a particular point on guide member 30 or tip 15.

The switch may be automatically actuated when tip 15 is removed or coupled to instrument 100. Computer 108 may be operably connected to the switch, such as through cable 161, and is responsive to the operation of the switch. Alternatively, if a wireless instrument is used such as one with passive reflective surfaces in place of LED emitters, any suitable form of communication known in the art can be used. An alarm or other indication of some type, such as a message or display on monitor 106, may be generated by computer 108 indicating to the user that tip 15 has been changed. The computer 108 may further prevent the system from operating until the system has been recalibrated for the new instrument tip. Recalibration may be accomplished by touching the instrument tip to a known reference point. Recalibration of the instrument tip can be positively confirmed by means of a light emission from the emitter array 40 detected by sensor array 110 and triangulated to determine the position of the instrument tip. Alternatively, the dimensions of the instrument or tool type may be entered into computer 108 or selected from a pre-programmed list of tool dimensions or tool types. Further, recalibration could be accomplished by a fiber optic device for reading a bar code on the instrument tip, or by any other suitable recalibration technique.

It will also be apparent to those skilled in the art that various modifications and variations can be made to the structure and methodology of the present invention without departing from the scope or spirit of the invention. In view of the foregoing, it is intended that the present invention cover modifications and variations of this invention provided they fall within the scope of the following claims and their equivalents.

What is claimed is:

[1. A trackable medical instrument for use in a computer assisted image guided surgery system having a digitizer for tracking the position of the instrument in three dimensional space and a display providing an indication of the position of the instrument with respect to images of a body part taken preoperatively, the instrument comprising:

a guide member having an emitter array mounted thereon for being tracked by a digitizer; and

6

a drive shaft contained within the guide member, the drive shaft having a longitudinal axis and a proximal and a distal end, the drive shaft being rotatable within the guide member while being fixable within the guide member in a direction of the longitudinal axis, the proximal end of the drive shaft having a first connector for interchangeably receiving at least one drive source for transmitting torque to the drive shaft causing rotation of the drive shaft relative to the guide member, and the distal end having a second connector for interchangeably receiving at least one instrument tip.]

[2. The instrument according to claim 1, further comprising at least one instrument tip for removable connection to the distal end of the drive shaft.]

[3. The instrument according to claim 2, wherein the at least one drive source comprises a drive handle for removable connection to the proximal end of the drive shaft for transmitting torque to the drive shaft and the instrument tip to cause rotation of the instrument tip.]

[4. The instrument according to claim 3, wherein the drive handle and the drive shaft include a male-female socket joint to removably connect the drive shaft to the drive handle.]

[5. The instrument according to claim 3, wherein the drive handle includes a ratchet.]

[6. The instrument according to claim 3, wherein the drive handle includes a motor for imparting torque to the drive shaft.]

[7. The instrument according to claim 2, wherein the instrument tip and the drive shaft include a male-female socket joint to removably connect the drive shaft to the instrument tip.]

[8. The instrument according to claim 2, wherein the instrument tip is an awl.]

[9. The instrument according to claim 2, wherein the instrument tip is a tap.]

[10. The instrument according to claim 2, wherein the instrument tip has a shaped end for mating with a workpiece to be rotated by said drive shaft.]

[11. The instrument according to claim 2, wherein the instrument tip is a drill bit.]

[12. The instrument according to claim 1, wherein the emitter array includes at least one LED array for emitting light signals.]

[13. The instrument according to claim 12, wherein the LED array includes a base and a plurality of LED emitters disposed on the base.]

[14. The instrument according to claim 1, wherein at least one bushing is provided in the guide member to reduce friction between the guide member and drive shaft.]

[15. The instrument according to claim 1, wherein the instrument includes a sensor which senses the removal and connection of an instrument tip to the instrument.]

[16. The instrument according to 15, wherein the sensor includes an electromechanical switch on the guide member electrically connected to the system.]

[17. A trackable medical instrument for use in a computer assisted image guided surgery system having a digitizer for receiving signals representing a position of the instrument during surgery, a computer for processing the signals received, and a display for providing an image representing the position of the instrument in three dimensional space during surgery, the instrument comprising:

guiding means for guiding the instrument in three dimensional space, the guiding means including signaling means for providing a signal representing the trajectory of the instrument and the location of the instrument; and

driving means for driving the instrument contained within the guiding means, the driving means having a longitudinal axis and being fixable in relation to the guiding means in a direction of the longitudinal axis while being rotatable in relation to the guiding means, the driving means having a first end adapted to interchangeably receive at least one medical instrument tip and an opposite end adapted to interchangeably receive at least one drive source.]

[18. The instrument according to claim 17, wherein the instrument includes a sensing means for sensing the removal and the connection of an instrument tip to the instrument.]

[19. The instrument according to 18, wherein the sensing means includes an electromechanical switch on the guiding means connected to the means for processing.]

[20. The instrument according to claim 17, wherein the guiding means comprises a housing for receiving the driving means, the driving means being rotatable within the housing while being retained axially within the housing.]

[21. The instrument according to claim 20 wherein the signaling means comprises an LED array.]

[22. The instrument according to claim 21, further comprising an instrument tip for connection to the first end of the driving means.]

[23. The instrument according to claim 22, further comprising a drive handle for connection to the opposite end of the driving means for transmitting torque to the instrument tip to cause rotation of the instrument tip.]

[24. The instrument according to claim 20, wherein the driving means comprises a drive shaft having mating connectors on both ends for connection to corresponding connectors disposed on an instrument tip and a drive source.]

[25. The instrument according to claim 24, wherein at least one bushing is provided between the housing and the drive shaft to reduce friction between the guide handle and drive shaft.]

[26. The instrument according to claim 22, wherein the instrument tip is an awl.]

[27. The instrument according to claim 22, wherein the instrument tip is a tap.]

[28. The instrument according to claim 22, wherein the instrument tip has a shaped end for mating with a workpiece.]

[29. A trackable medical instrument for use in a computer assisted image guided surgery system having a digitizer for tracking the position of the instrument in three dimensional space and a display providing an indication of the position of the instrument with respect to images of a body part taken preoperatively, the instrument comprising:

a guide member having an emitter array mounted thereon for being tracked by a digitizer;

a drive shaft contained within the guide member, the drive shaft having a longitudinal axis and a proximal and a distal end, the drive shaft being rotatable within the guide member while being fixable within the guide member in a direction of the longitudinal axis;

an instrument tip extending from the proximal end of the drive shaft; wherein the instrument tip rotates freely relative to the guide member while being fixable axially relative to the guide member; and

a drive handle extending from the distal end of the drive shaft for guiding the instrument, including the guide member, and for imparting rotary motion to the drive shaft and the instrument tip independent of the guide member.]

[30. The instrument according to claim 29, further comprising a proximal coupler for interchangeably coupling the drive source to the drive shaft.]

[31. The instrument according to claim 30, wherein the proximal coupler comprises a male-female socket joint disposed on the drive shaft and the drive source to removably connect the drive source to the drive shaft.]

[32. The instrument according to claim 29, wherein the drive handle includes a ratchet.]

[33. The instrument according to claim 29, wherein the drive handle includes a motor for imparting rotary motion to the drive shaft.]

[34. The instrument according to claim 29, further comprising a distal coupler for interchangeably coupling the instrument tip to the drive shaft.]

[35. The instrument according to claim 34, wherein the distal coupler includes a male-female socket joint disposed on the drive shaft and the instrument tip to removably connect the instrument tip to the drive shaft.]

[36. The instrument according to claim 29, wherein the instrument tip is an awl.]

[37. The instrument according to claim 29, wherein the instrument tip is a tap.]

[38. The instrument according to claim 29, wherein the instrument tip has a shaped end for mating with a workpiece to be rotated by said drive shaft.]

[39. The instrument according to claim 29, wherein the instrument tip is a drill bit.]

[40. The instrument according to claim 29, wherein the emitter array includes at least one LED array for emitting light signals.]

[41. The instrument according to claim 29, wherein the at least one LED array includes a base and a plurality of LED emitters disposed on the base.]

[42. The instrument according to claim 29, wherein at least one bushing is provided in the guide member to reduce friction between the guide member and drive shaft.]

[43. A trackable medical instrument for use in a computer assisted image guided surgery system having a digitizer for tracking the position of the instrument in three dimensional space and a display providing an indication of the position of the instrument with respect to images of a body part taken preoperatively, the instrument comprising:

a guide member having a tracking device mounted thereon for being tracked by a digitizer;

a drive shaft contained within the guide member, the drive shaft having a longitudinal axis and a proximal and a distal end, the drive shaft being rotatable within the guide member while being fixable within the guide member in a direction of the longitudinal axis;

an instrument tip extending from the proximal end of the drive shaft; wherein the instrument tip rotates freely relative to the guide member while being fixable axially relative to the guide member; and

a drive handle extending from the distal end of the drive shaft for guiding the instrument, including the guide member, and for imparting rotary motion to the drive shaft and the instrument tip independent of the guide member.]

[44. The instrument according to claim 43, wherein the tracking device includes a passive signal generator.]

[45. The instrument according to claim 44, wherein the instrument comprises at least one reflective surface for reflecting signals to be tracked by the digitizer.]

[46. The instrument according to claim 44, wherein the instrument comprises at least three reflective surfaces for reflecting signals to be tracked by the digitizer.]

[47. The instrument according to claim 43, further comprising a proximal coupler for interchangeably coupling the drive source to the drive shaft.]

[48. The instrument according to claim 47, wherein the proximal coupler comprises a male-female socket joint disposed on the drive shaft and the drive source to removably connect the drive source to the drive shaft.]

[49. The instrument according to claim 43, further comprising a distal coupler for interchangeably coupling the instrument tip to the drive shaft.]

[50. The instrument according to claim 49, wherein the distal coupler includes a male-female socket joint disposed on the drive shaft and the instrument tip to removably connect the instrument tip to the drive shaft.]

51. A trackable instrument, a guide member having a tracking device mounted thereon for being tracked by a system including a digitizer and a drive shaft contained within the guide member, the drive shaft having a longitudinal axis and a proximal end and a distal end, the distal end having a tip connector, the instrument comprising:

at least one instrument tip extending a distance between a tip proximal end and a tip distal end;

wherein the tip proximal end includes a shaped exterior; wherein the tip distal end is configured for performing a procedure;

wherein the tip proximal end is configured to be interchangeably received with the tip connector;

wherein the system is configured to be recalibrated to determine a position of the instrument tip for tracking after the instrument is connected to the drive shaft.

52. The instrument of claim 51, further comprising: the drive shaft;

wherein the drive shaft is configured to be rotatable within the guide member while being fixable within the guide member in a direction of the longitudinal axis, the proximal end of the drive shaft having a drive connector for interchangeably receiving at least one drive source for transmitting torque to the drive shaft causing rotation of the drive shaft relative to the guide member.

53. The instrument of claim 52, wherein the tip proximal end of the instrument tip is shaped for mating with and to be rotated by the drive shaft.

54. The instrument of claim 52, further comprising:

at least one drive source including a drive handle for removable connection to the proximal end of the drive shaft or a motor for removable connection to the proximal end of the drive shaft for transmitting torque to the drive shaft and the instrument tip to cause rotation of the instrument tip.

55. The instrument of claim 52, wherein the instrument tip and the drive shaft include a male-female socket joint to removably connect the drive shaft to the instrument tip.

56. The instrument of claim 52, wherein the instrument tip is an awl.

57. The instrument of claim 52, wherein the instrument tip is a tap.

58. The instrument of claim 52, wherein the instrument tip is a drill bit.

59. The instrument of claim 51, wherein the instrument includes a sensor which senses the removal and connection of the instrument tip relative to the drive shaft.

60. The instrument of claim 59, wherein the instrument tip is configured to operate the sensor to send a signal to the digitizer that at least one of the instrument tip is removed or that the instrument tip is inserted.

61. The instrument of claim 59, wherein the sensor is at least one of an electrical device, an electromechanical device, or sensing device configured to be operated by the instrument tip.

62. The instrument of claim 51, instrument tip is configured to be rotatable relative to the guide member while being fixable relative to the guide member in a direction of a longitudinal axis of the instrument tip.

63. A trackable instrument, a guide member having a tracking device mounted thereon for being tracked by a digitizer of a system and a drive shaft contained within the guide member, the drive shaft having a longitudinal axis and a proximal end and a distal end, the distal end having a tip connector, wherein the drive shaft is configured to be rotatable within the guide member while being fixable within the guide member in a direction of the longitudinal axis, the instrument comprising:

at least one instrument tip extending a distance between a tip proximal end and a tip distal end;

wherein the tip proximal end includes a shaped exterior; wherein the tip distal end is configured for performing a procedure;

wherein the tip proximal end is configured to be interchangeably received with the tip connector;

wherein the system is configured to be recalibrated to determine a position of the instrument tip for tracking after the instrument is connected to the drive shaft and the instrument tip to rotate relative to the tracking device with the drive shaft contained within the guide member.

64. The instrument of claim 63, further comprising: the drive shaft;

wherein the proximal end of the drive shaft has a drive connector for interchangeably receiving at least one drive source for transmitting torque to the drive shaft causing rotation of the drive shaft relative to the guide member.

65. The instrument of claim 63, wherein the instrument further comprises a sensor configured to be actuated by the instrument tip;

wherein the sensor is configured to transmit a signal to the digitizer.

66. The instrument of claim 65, wherein the sensor includes at least one of an electrical device, an electromechanical device, or sensing device.

67. The instrument of claim 63, wherein the system is configured to make an indication that the instrument tip has changed.

68. The instrument of claim 67, wherein the tracking device is an emitter array.

69. A method for operation of a trackable instrument, comprising:

engaging an instrument tip to a tip connector of a drive shaft, wherein the drive shaft is contained within a guide member, wherein a tracking device is mounted on the guide member for being tracked by a digitizer, the drive shaft having a longitudinal axis and a proximal end and a distal end, the distal end having the tip connector, wherein the drive shaft is configured to be rotatable within the guide member while being fixable within the guide member in a direction of the longitudinal axis, the instrument tip having a tip proximal end and a tip distal end, wherein the tip proximal end is configured to be interchangeably received with the tip connector; and

calibrating the engaged instrument tip when engaged to the drive shaft.

70. The method of claim 69, further comprising:
receiving an indication that calibration of the instrument
tip should occur.

71. The method of claim 69, further comprising:
actuating a sensor with the instrument tip during the 5
engaging the instrument tip with the tip connector.

72. The method of claim 71, wherein actuating the sensor
includes at least one of actuating at least one of an electrical
device, an electromechanical device, or sensing device.

73. The method of claim 69, wherein calibrating the 10
engaged instrument tip includes entering information
regarding a dimension of the instrument tip.

74. The method of claim 69, further comprising:
selecting the instrument tip for engaging to the tip con-
nector of the drive shaft. 15

75. The method of claim 74, wherein selecting the instru-
ment tip includes selecting the instrument tip from a plural-
ity of instruments tips including at least one of an awl, a tap,
a screwdriver, or a shaped tool.

76. The method of claim 69, further comprising: 20
tracking a location of the engaged instrument tip based at
least on the calibrating the engaged instrument tip.

* * * * *

UNITED STATES PATENT AND TRADEMARK OFFICE
CERTIFICATE OF CORRECTION

PATENT NO. : RE46,409 E
APPLICATION NO. : 14/691159
DATED : May 23, 2017
INVENTOR(S) : Foley et al.

Page 1 of 1

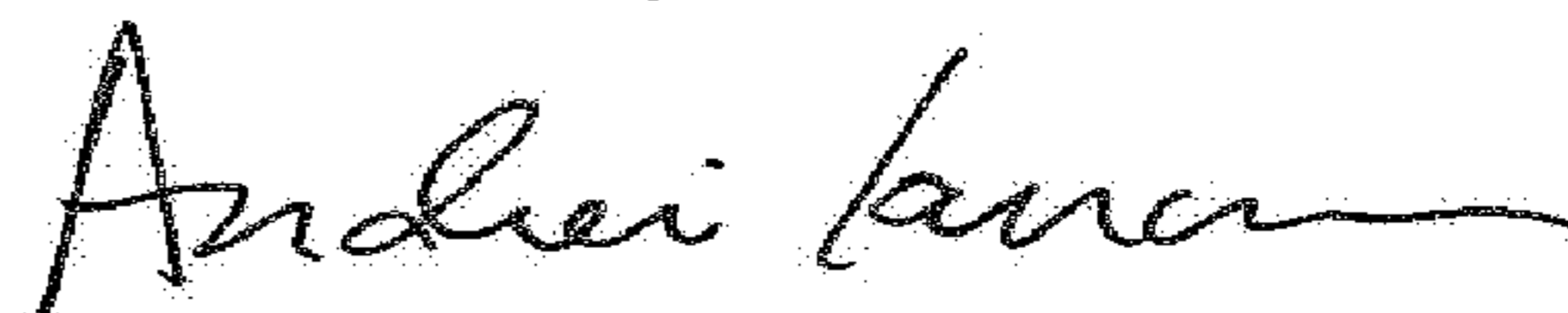
It is certified that error appears in the above-identified patent and that said Letters Patent is hereby corrected as shown below:

In the Specification

Please insert Line 9 (approx.) in Column 1 as follows:

--Notice: More than one reissue application has been filed for the reissue of U.S. Patent No. 6,021,343. The reissue applications are U.S. Reissue Patent Application Serial No. 14/691,159 (the present application), filed on April 20, 2015, now U.S. Reissue Patent No. RE46,409 E, issued May 23, 2017, and U.S. Reissue Patent Application Serial No. 14/545,311, filed on April 20, 2015, now U.S. Reissue Patent No. RE46,422 E, issued June 6, 2017, each of which are a continuation reissue application of U.S. Reissue Patent Application Serial No. 13/453,709, filed on April 23, 2012, now US. Reissue Patent No. RE45,484 E, issued April 21, 2015, which is a continuation reissue application of U.S. Reissue Patent Application Serial No. 10/062,265, filed on January 31, 2002, now U.S. Reissue Patent No. RE43,328 E, issued April 24, 2012.--

Signed and Sealed this
Fifth Day of June, 2018



Andrei Iancu
Director of the United States Patent and Trademark Office

UNITED STATES PATENT AND TRADEMARK OFFICE
CERTIFICATE OF CORRECTION

PATENT NO. : RE46,409 E
APPLICATION NO. : 14/691159
DATED : May 23, 2017
INVENTOR(S) : Foley et al.

Page 1 of 1

It is certified that error appears in the above-identified patent and that said Letters Patent is hereby corrected as shown below:

In the Specification

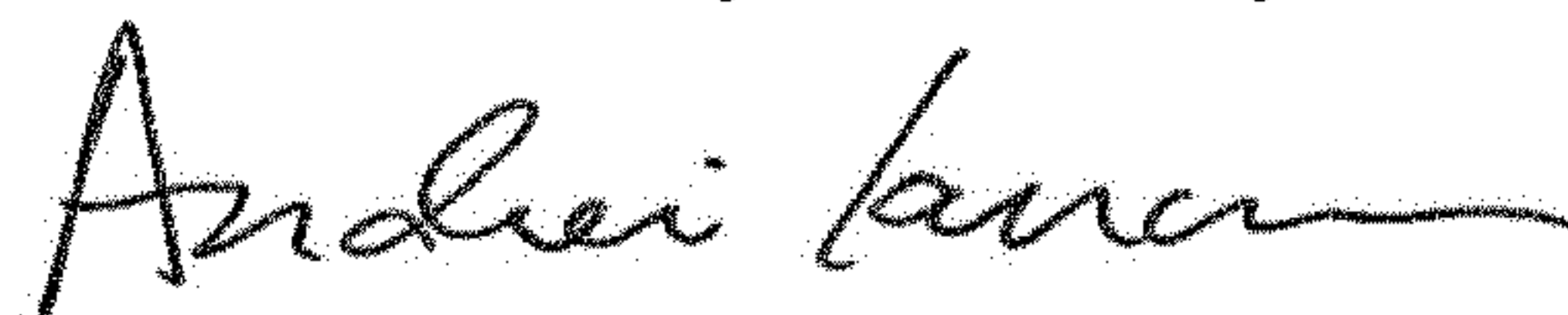
At Column 1, replace Lines 11-18 (approx.), with the following:

-- *CROSS-REFERENCE TO RELATED APPLICATIONS*

NOTICE: More than one reissue application has been filed for the reissue of U.S. Patent No. 6,021,343 A. The reissue applications are U.S. Reissue Patent Application Serial No. 14/691,954, filed on April 21, 2015, now abandoned, U.S. Reissue Patent Application Serial No. 14/691,159 (the present application), filed on April 20, 2015, now U.S. Reissue Patent No. RE46,409 E, issued May 23, 2017, and U.S. Reissue Patent Application Serial No. 14/545,311, filed on April 20, 2015, now U.S. Reissue Patent No. RE46,422 E, issued June 6, 2017, each of which are a continuation reissue application of U.S. Reissue Patent Application Serial No. 13/453,709, filed on April 23, 2012, now U.S. Reissue Patent No. RE45,484 E, issued April 21, 2015, which is a continuation reissue application of U.S. Reissue Patent Application Serial No. 10/062,265, filed on January 31, 2002, now U.S. Reissue Patent No. RE43,328 E, issued April 24, 2012, which is a reissue application of 08/971,126, filed on November 20, 1997, now U.S. Patent No. 6,021,343 A, issued February 1, 2000. --

This certificate supersedes the Certificate of Correction issued June 5, 2018.

Signed and Sealed this
Nineteenth Day of January, 2021



Andrei Iancu
Director of the United States Patent and Trademark Office