

US00RE46391E

(19) **United States**
(12) **Reissued Patent**
Jung

(10) **Patent Number: US RE46,391 E**
(45) **Date of Reissued Patent: May 2, 2017**

(54) **WIRELESS MULTI-CHARGER SYSTEM AND CONTROLLING METHOD THEREOF**

FOREIGN PATENT DOCUMENTS

(71) Applicant: **INTEL CORPORATION**, Santa Clara, CA (US)

JP 64-57006 U 4/1989
JP 64-570006 4/1989
(Continued)

(72) Inventor: **Chun-Kil Jung**, Seoul (KR)

OTHER PUBLICATIONS

(73) Assignee: **Intel Corporation**, Santa Clara, CA (US)

European Search Report completed Jan. 28, 2013, issued in corresponding European Application No. EP 08 15 9822.
(Continued)

(21) Appl. No.: **13/755,931**

(22) Filed: **Jan. 31, 2013**

Primary Examiner — Linh M. Nguyen
(74) *Attorney, Agent, or Firm* — International IP Law Group, P.L.L.C.

Related U.S. Patent Documents

Reissue of:

(64) Patent No.: **8,102,147**
Issued: **Jan. 24, 2012**
Appl. No.: **12/166,483**
Filed: **Jul. 2, 2008**

(57) **ABSTRACT**

Disclosed are a wireless multi-charger system capable of saving the total charging time of a large number of wireless power transmission devices since one wireless multi-power transmission device includes a plurality of the wireless power transmission devices so that a large number of the wireless power transmission devices can be charged with electricity, and preventing the damage of the wireless power transmission devices and the wireless multi-power transmission device although foreign substances are put on charger blocks that are not charged. The wireless multi-charger system (A) according to the present invention includes an external body formed as a wireless charger case **11**, wherein the wireless charger case **11** has a wireless charger table **12** formed in an upper surface thereof, wherein the wireless charger table **12** has a plurality of charger blocks **14**, each of which includes a primary charging core **13**, wherein the full-bridge resonant converter **22** is present in a plural form and coupled respectively to a plurality of the charger blocks **14**, wherein a multi-gate driver module **23** is provided to transmit a converted power signal to each of a plurality of the full-bridge resonant converters **22** under the control of the central controller **21**, and wherein a reception signal processor module **24** coupled to a plurality of the charger blocks **14** to process a signal transmitted from the wireless power transmission device **30** and supply the processed signal to the central controller **21** is provided.

(30) **Foreign Application Priority Data**

Nov. 30, 2007 (KR) 10-2007-0123749
Nov. 30, 2007 (KR) 10-2007-0123751
Nov. 30, 2007 (KR) 10-2007-0123752

(51) **Int. Cl.**
H02J 7/00 (2006.01)
H02J 7/02 (2016.01)
(Continued)

(52) **U.S. Cl.**
CPC **H02J 7/025** (2013.01); **H02J 5/005** (2013.01)

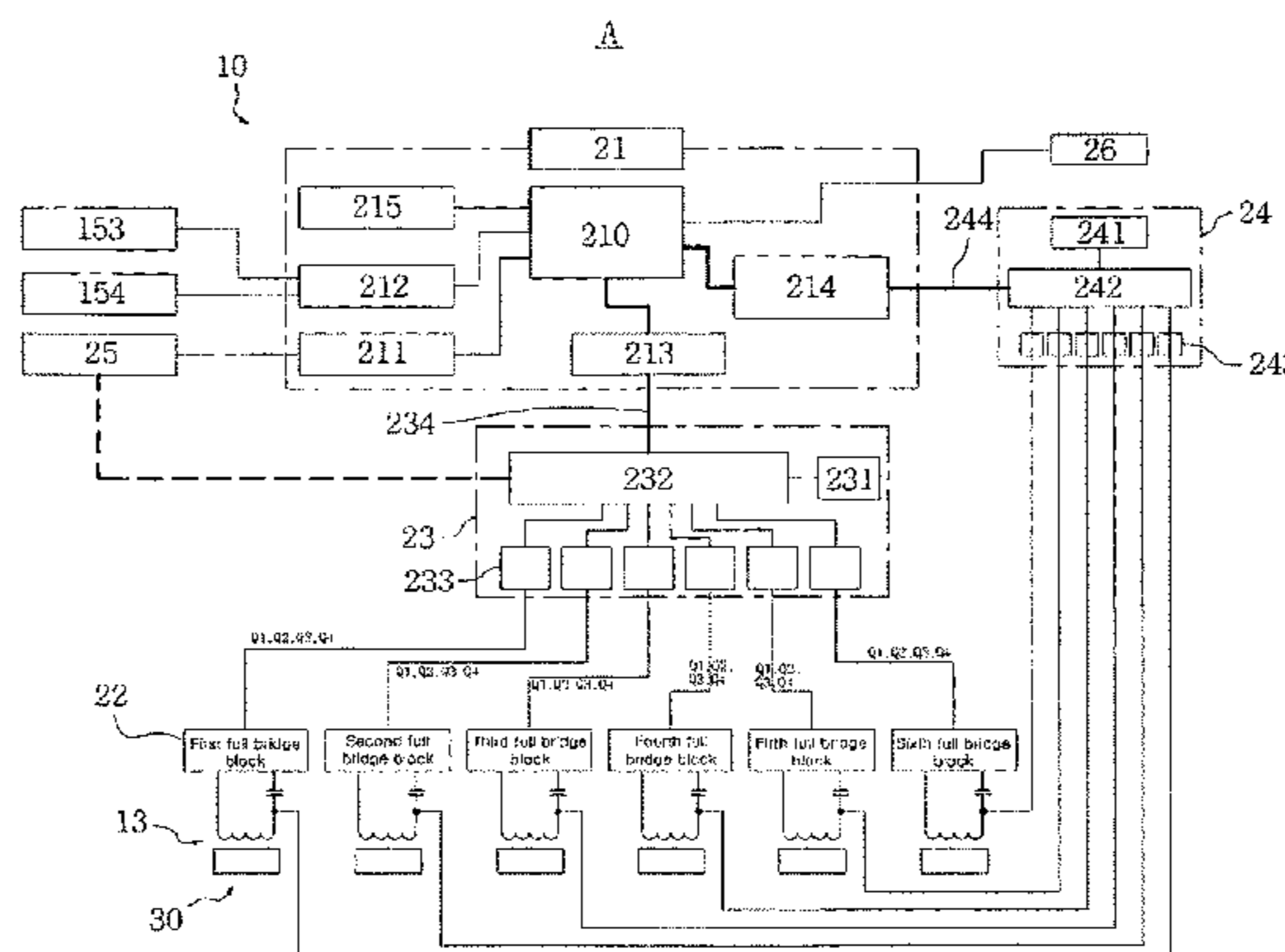
(58) **Field of Classification Search**
CPC **H02J 7/025**; **H02J 5/005**
(Continued)

(56) **References Cited**

U.S. PATENT DOCUMENTS

5,157,319 A 10/1992 Klontz 320/2
5,831,348 A 11/1998 Nishizawa 307/104
(Continued)

16 Claims, 15 Drawing Sheets



(51) **Int. Cl.**

H01F 17/00 (2006.01)
H02M 3/335 (2006.01)
H02J 5/00 (2016.01)

(58) **Field of Classification Search**

USPC 320/108, 106, 111, 114, 115; 323/363;
 363/17

See application file for complete search history.

(56)

References Cited

U.S. PATENT DOCUMENTS

6,160,374 A	12/2000	Hayes et al.	
6,184,651 B1	2/2001	Fernandez	320/108
6,683,438 B2 *	1/2004	Park et al.	320/108
7,375,493 B2	5/2008	Calhoon et al.	320/108
7,956,575 B2 *	6/2011	Kawano et al.	320/113
8,102,147 B2	1/2012	Jung	320/108
8,228,025 B2 *	7/2012	Ho et al.	320/108
8,330,414 B2	12/2012	Takahashi et al.	320/108
2004/0145342 A1	7/2004	Lyon	
2005/0068019 A1	3/2005	Nakamura et al.	
2005/0127868 A1 *	6/2005	Calhoon et al.	320/108
2006/0226805 A1 *	10/2006	Yu	320/107
2007/0139000 A1	6/2007	Kozuma et al.	320/108
2008/0094027 A1 *	4/2008	Cho	320/108
2008/0197802 A1 *	8/2008	Onishi et al.	320/106
2009/0033280 A1 *	2/2009	Choi et al.	320/108
2009/0096413 A1 *	4/2009	Partovi et al.	320/108
2013/0175983 A1 *	7/2013	Partovi et al.	320/108

FOREIGN PATENT DOCUMENTS

JP	09-019078	1/1997	
JP	9-19078 A	1/1997	
JP	2003-224937 A	8/2003	
JP	2004-222457	8/2004	
JP	2004-222457 A	8/2004	
JP	2005-006440	1/2005	
JP	2005-6440 A	1/2005	
JP	2006-314181	11/2006	
JP	2006-314181 A	11/2006	
JP	2007-295677	11/2007	
JP	2007-295677 A	11/2007	
KR	100554889 B1	3/2005	
KR	10-2005-0054816 A	6/2005	
KR	10-0554889 B1	2/2006	
KR	10-2007-0014804 A	2/2007	
WO	WO 2006/001557	1/2006	
WO	WO 2006/101285 A1 *	9/2006 H02J 7/00
WO	WO 2007/089086	9/2007	

OTHER PUBLICATIONS

U.S. Office Action issued by the United States Patent and Trademark Office on Sep. 12, 2013, for corresponding U.S. Appl. No. 13/875,748.

European Search Report issued by the European Patent Office on Aug. 27, 2014, for the corresponding EP Application No. 13186429.0.

U.S. Office Action issued by the USPTO on Mar. 17, 2015, for the corresponding U.S. Appl. No. 14/457,095.

* cited by examiner

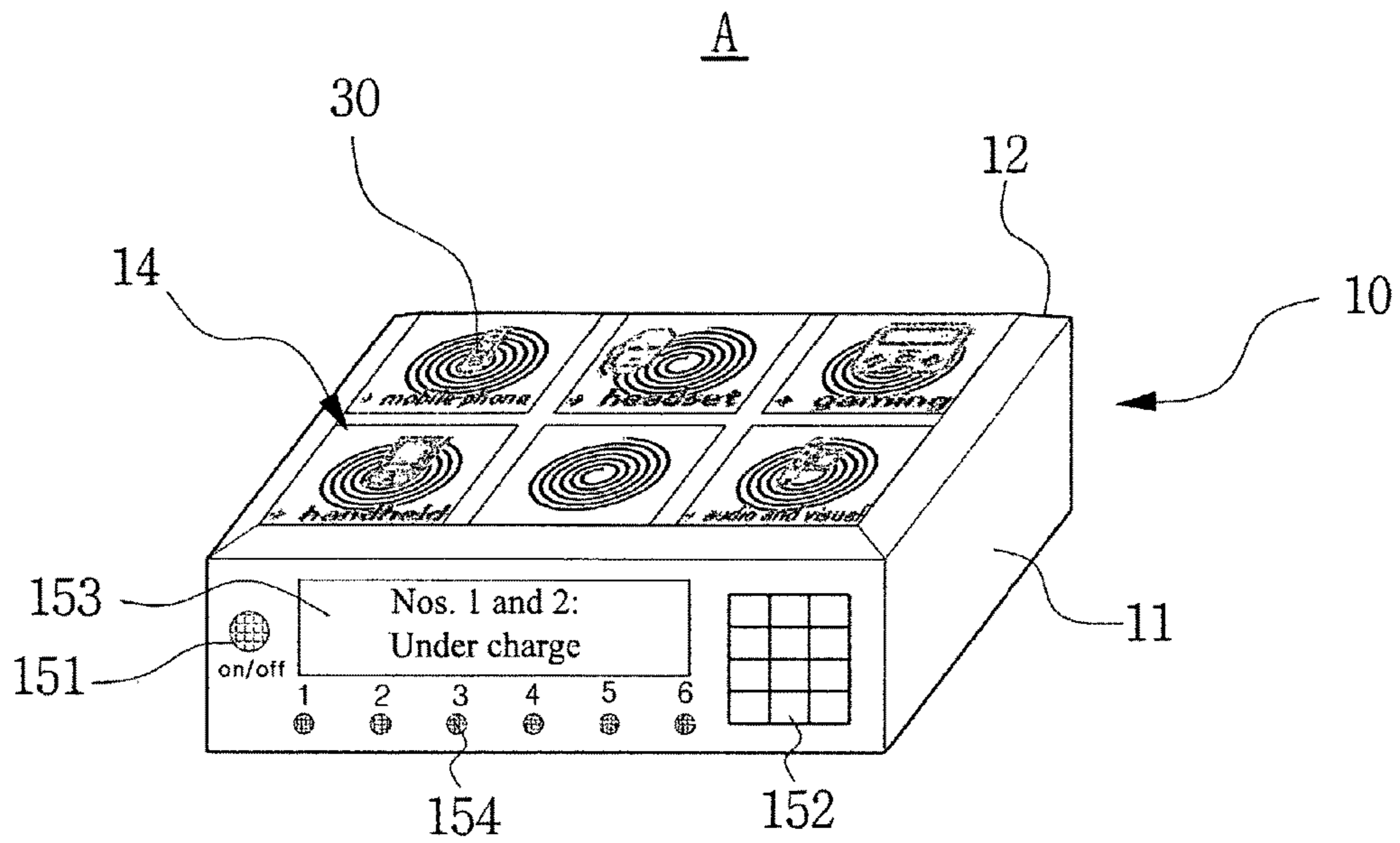


Fig. 1

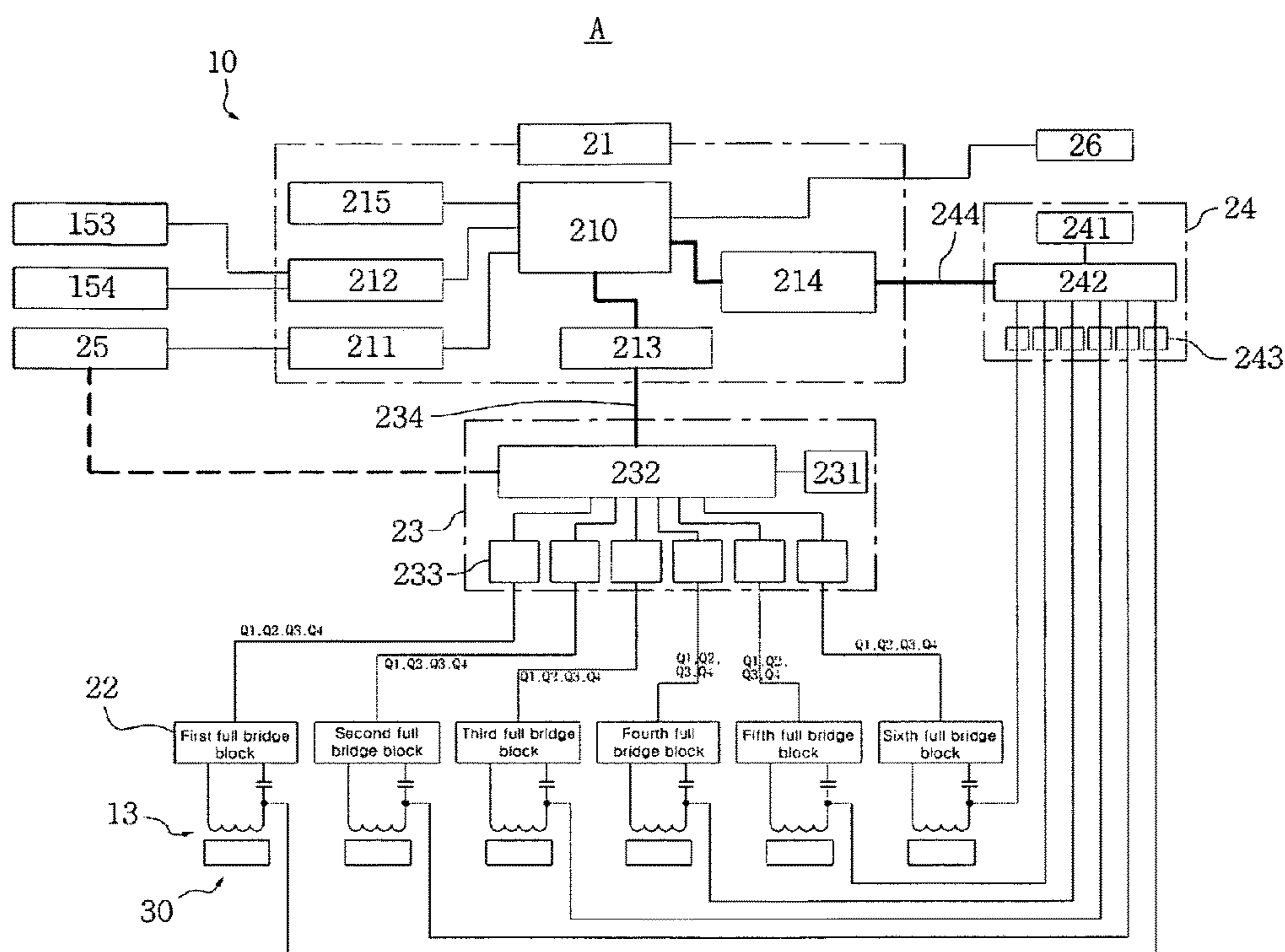


Fig. 2

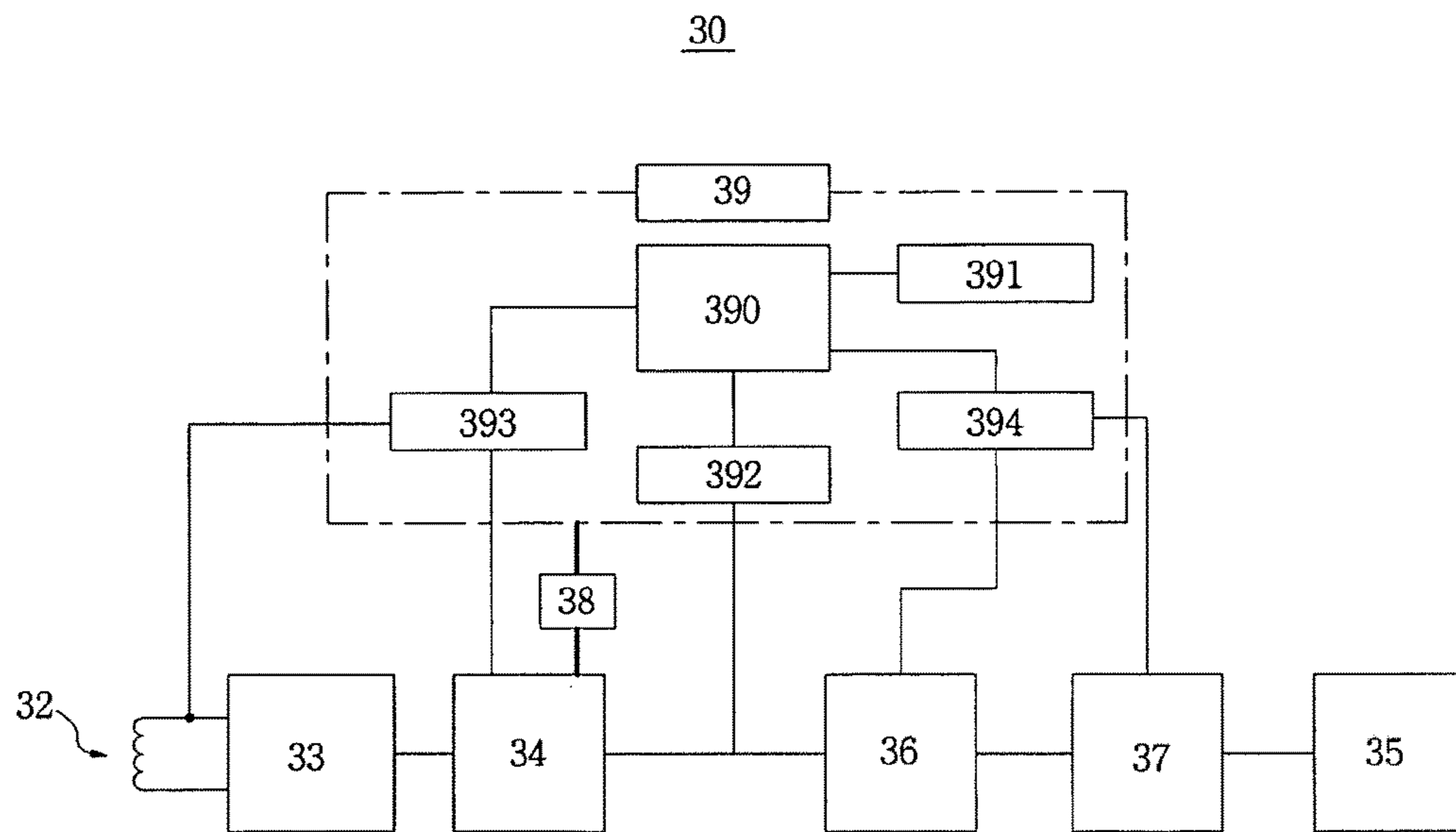
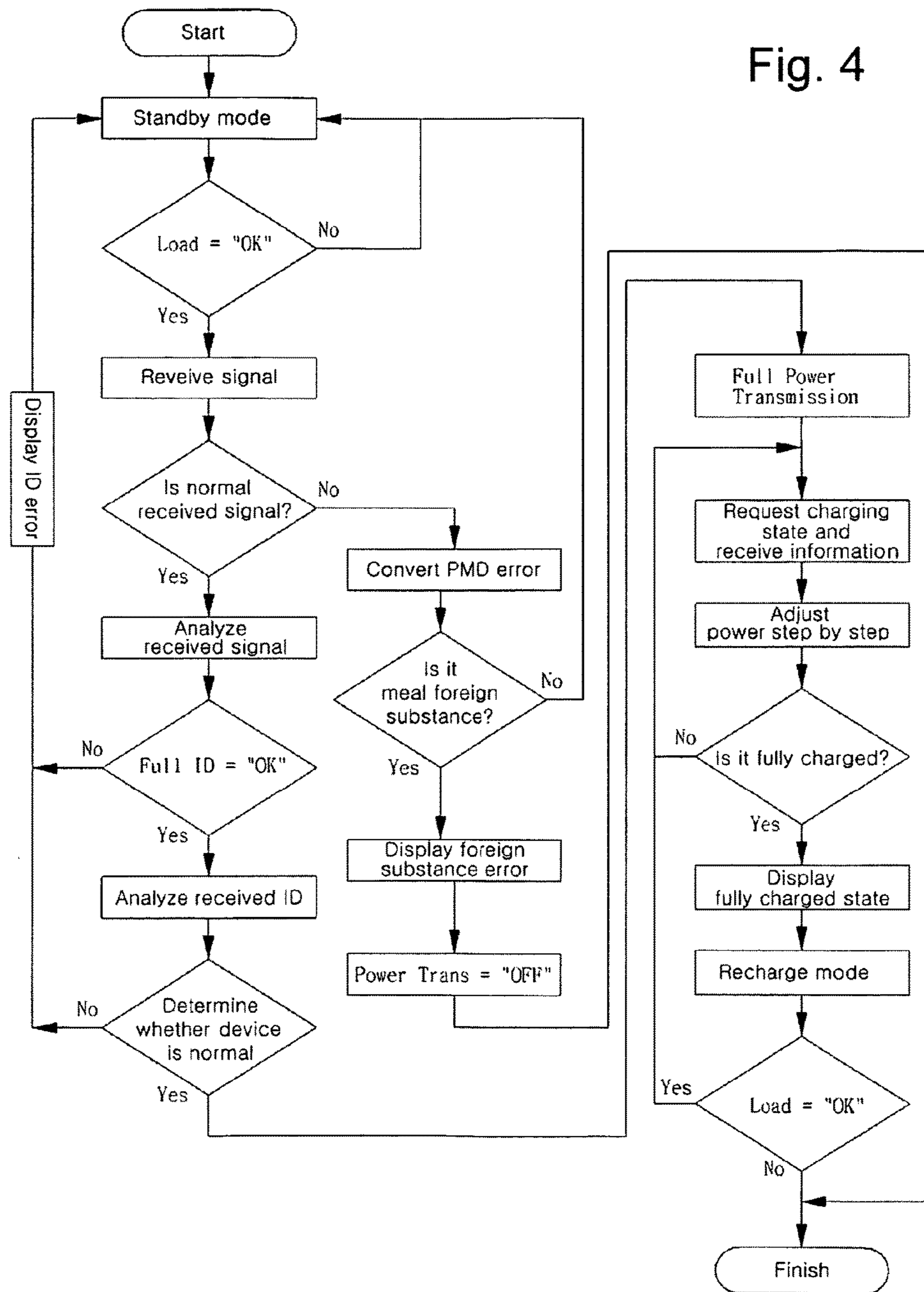


Fig. 3

Fig. 4



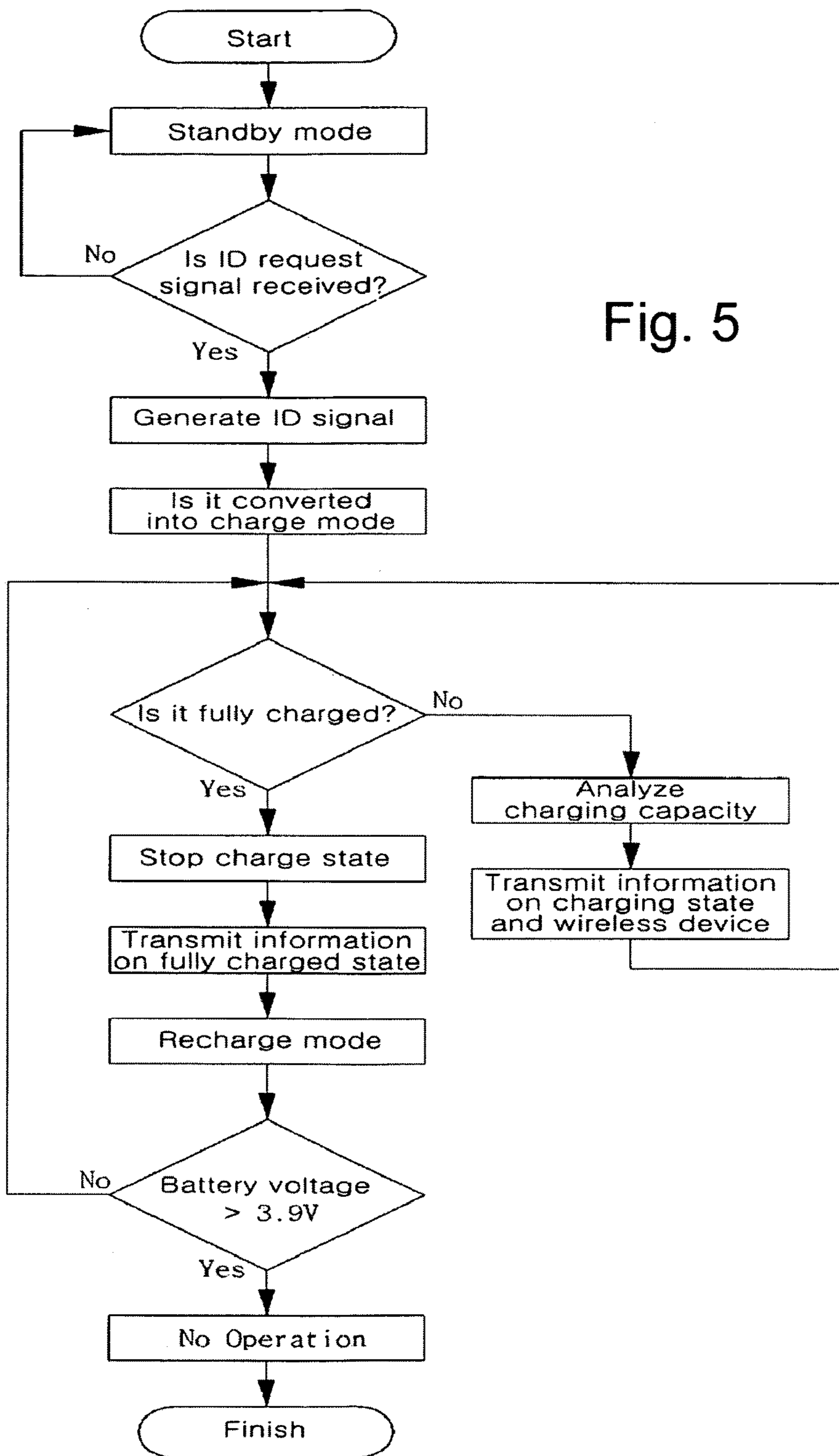


Fig. 5

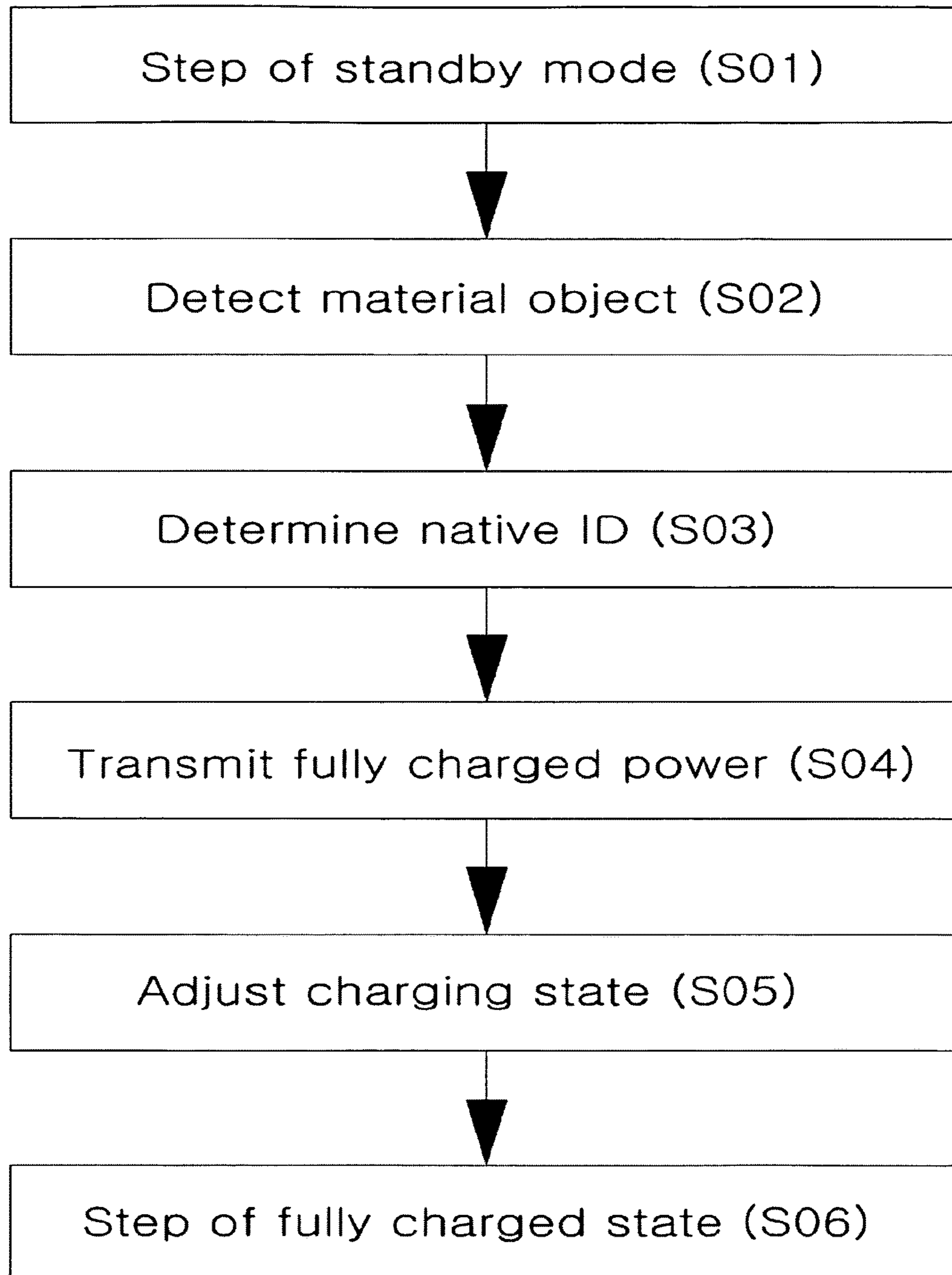


Fig. 6

Fig. 7

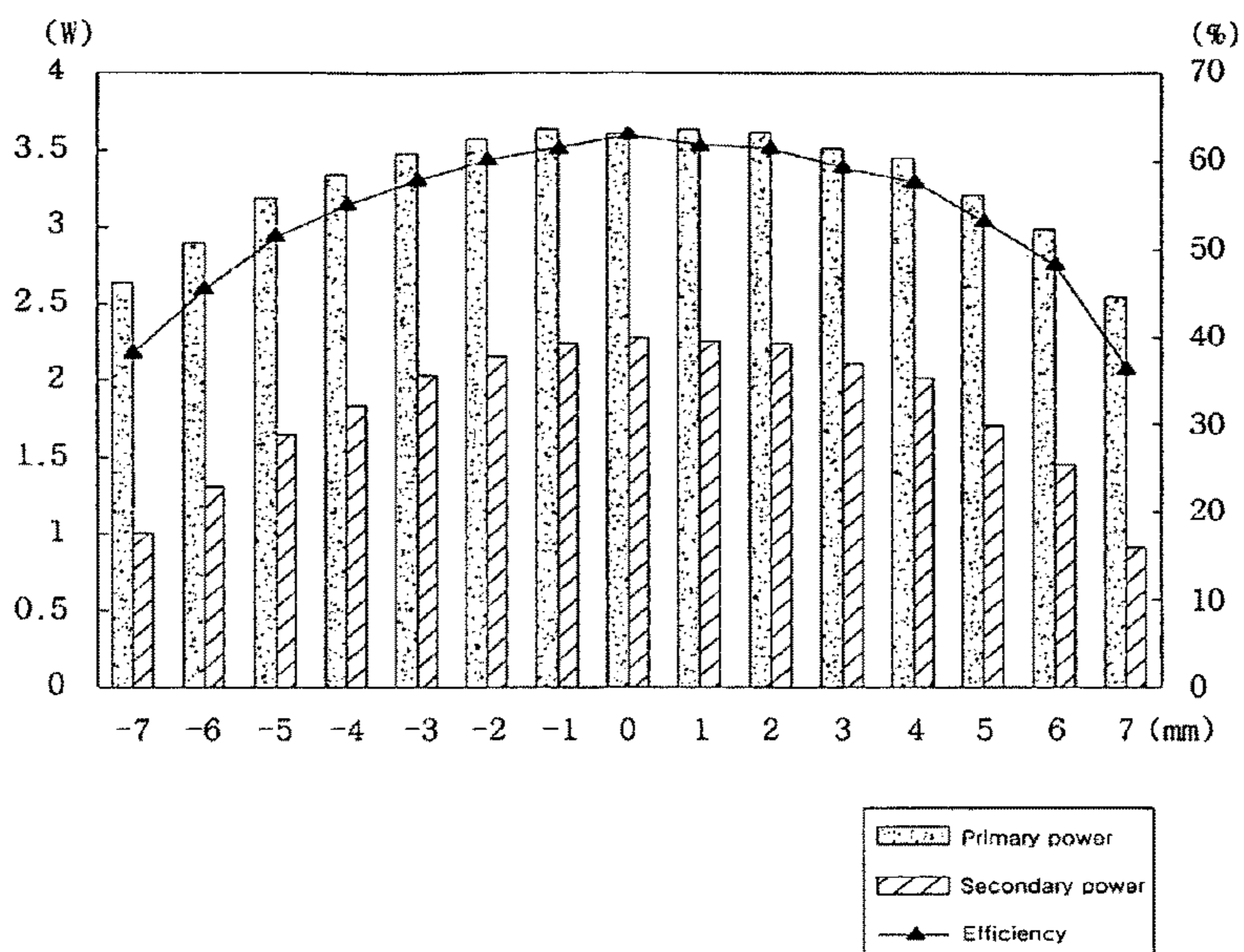


Fig. 8

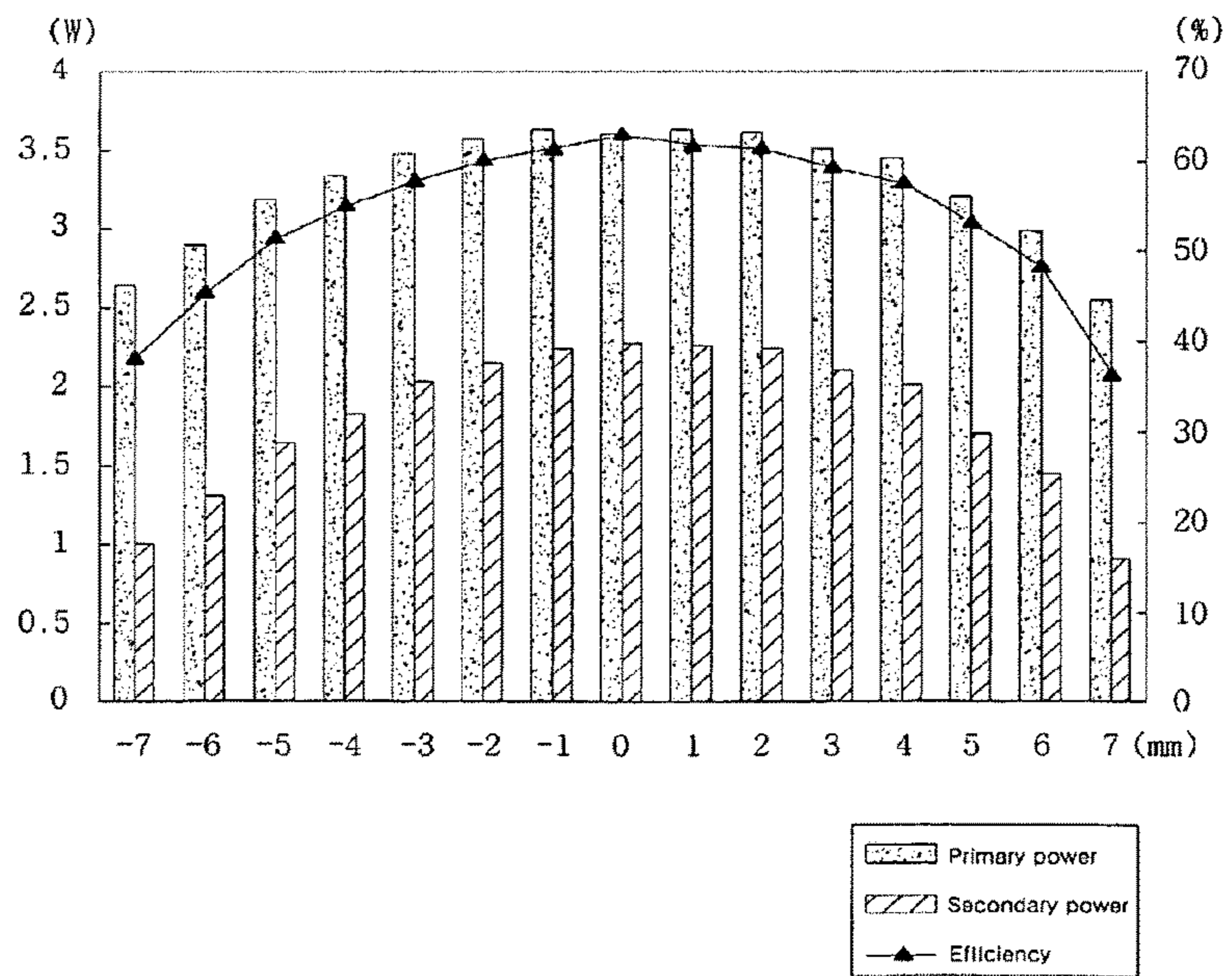


Fig. 9

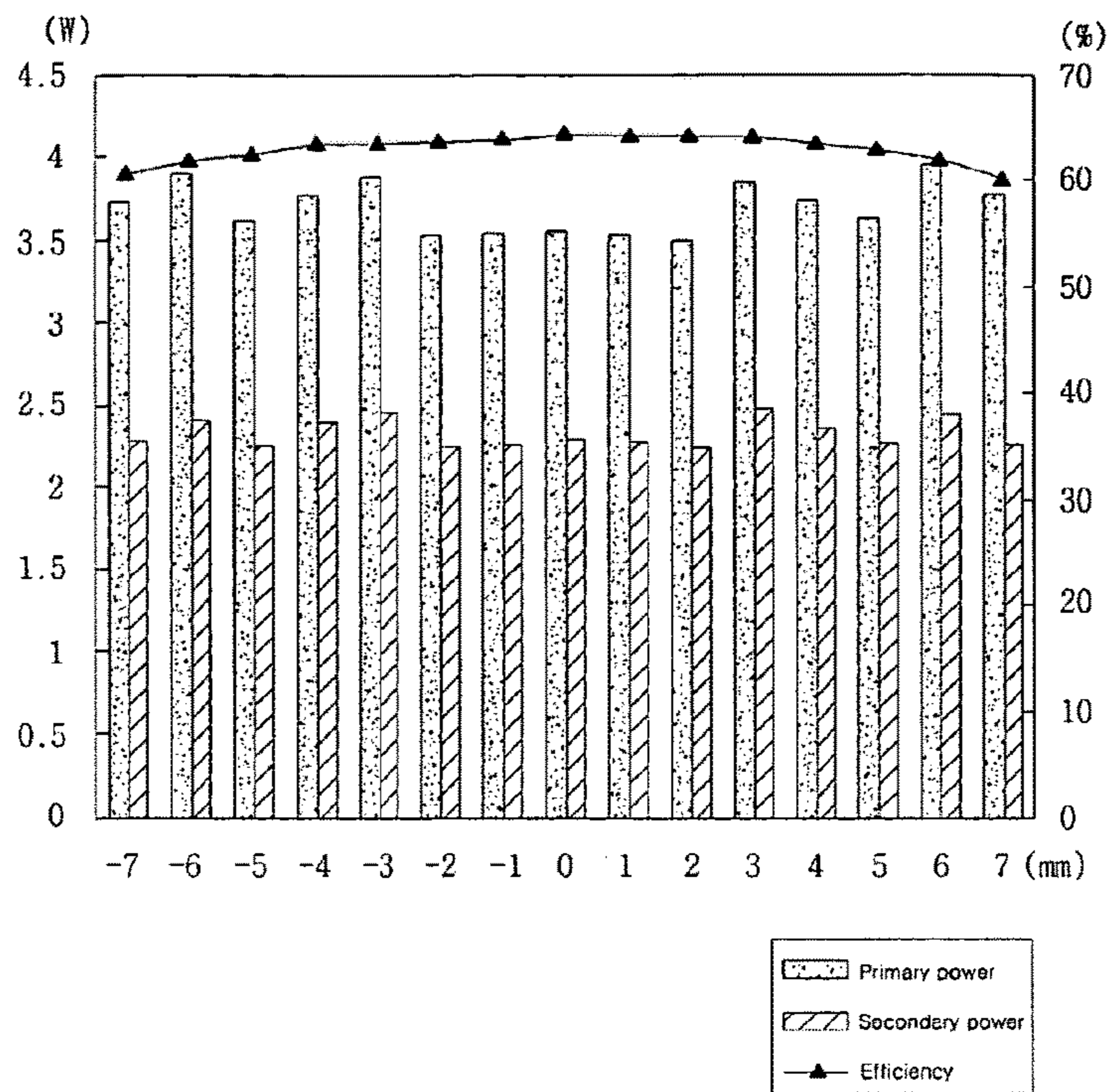
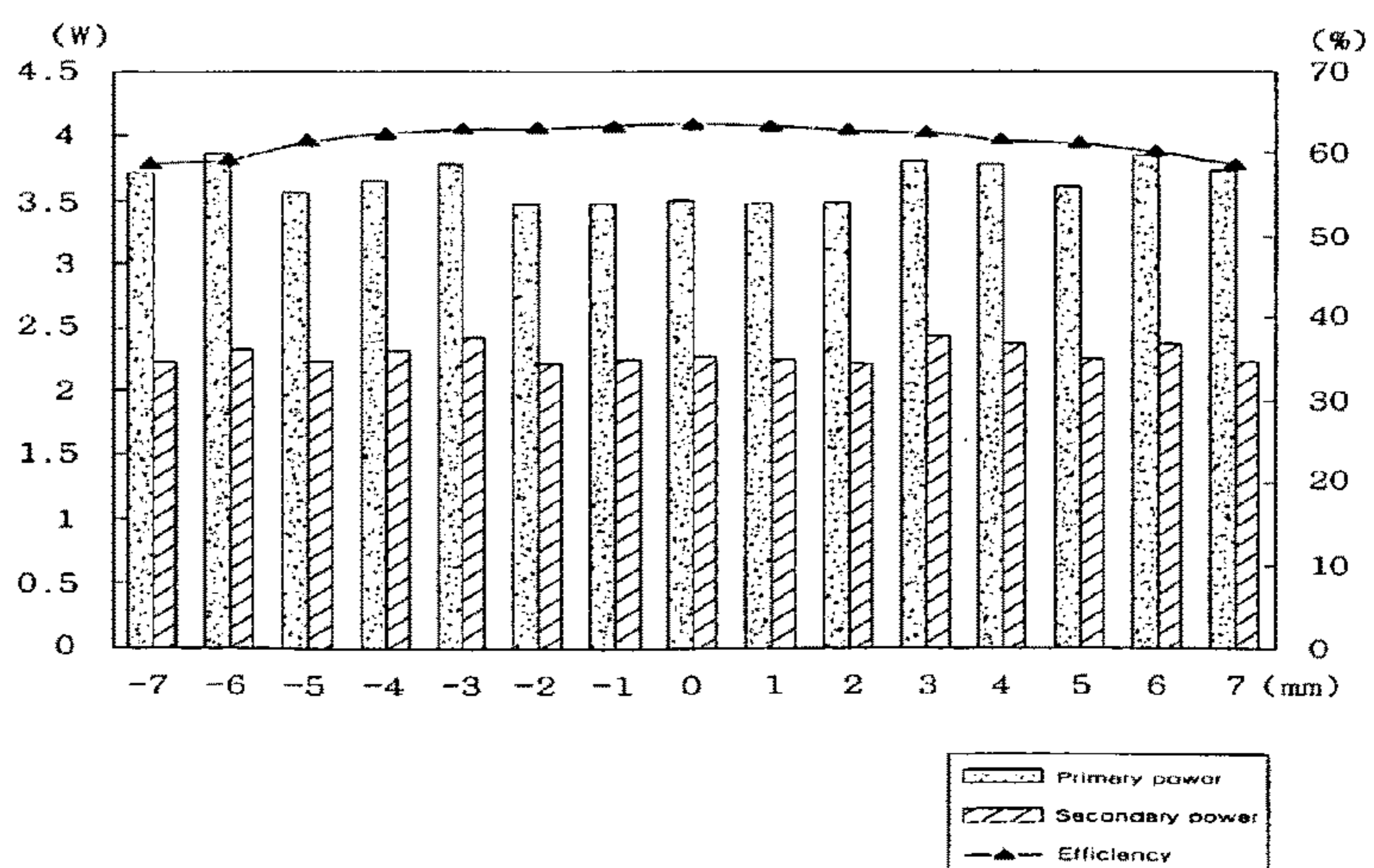


Fig. 10



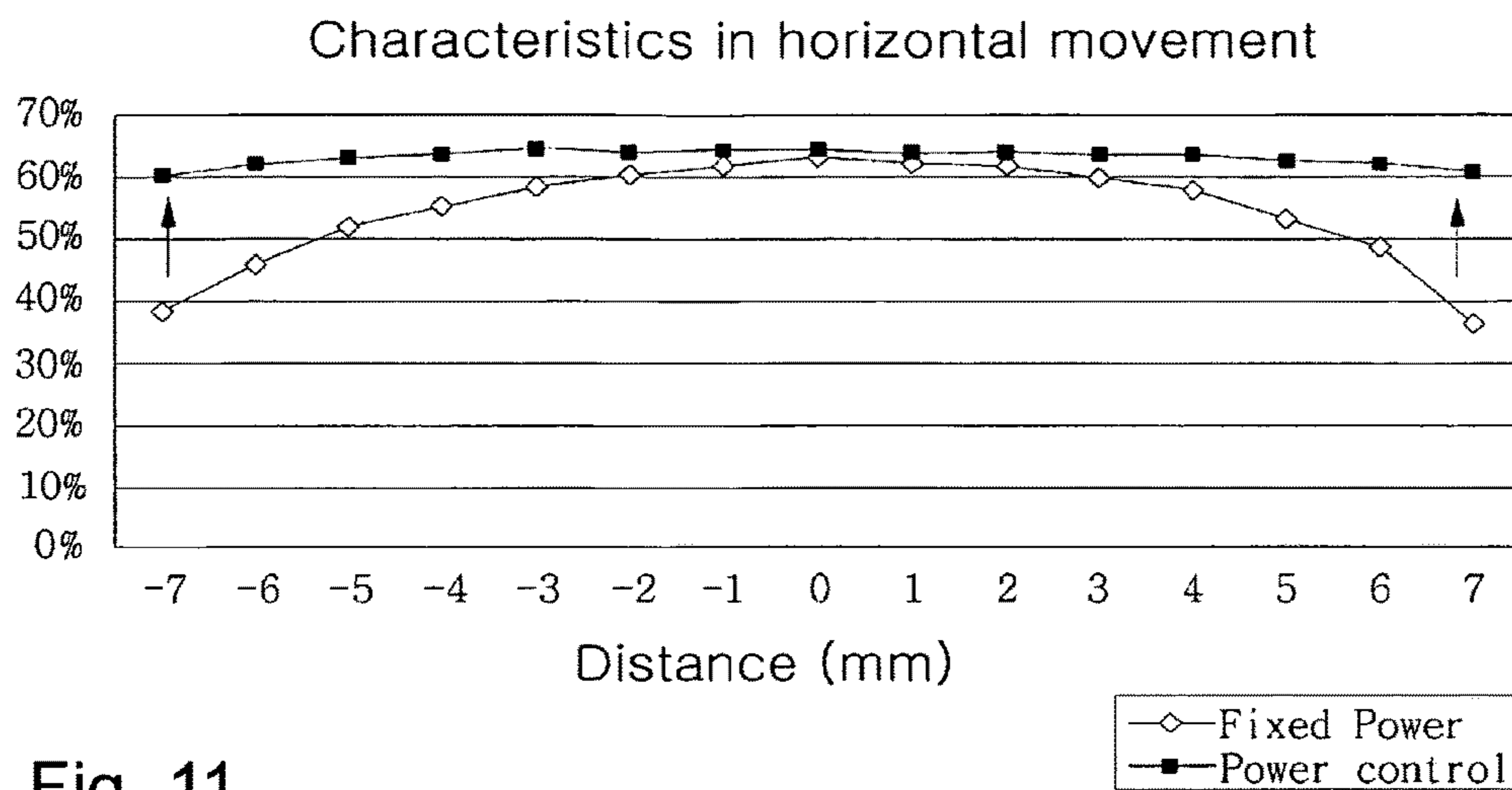


Fig. 11

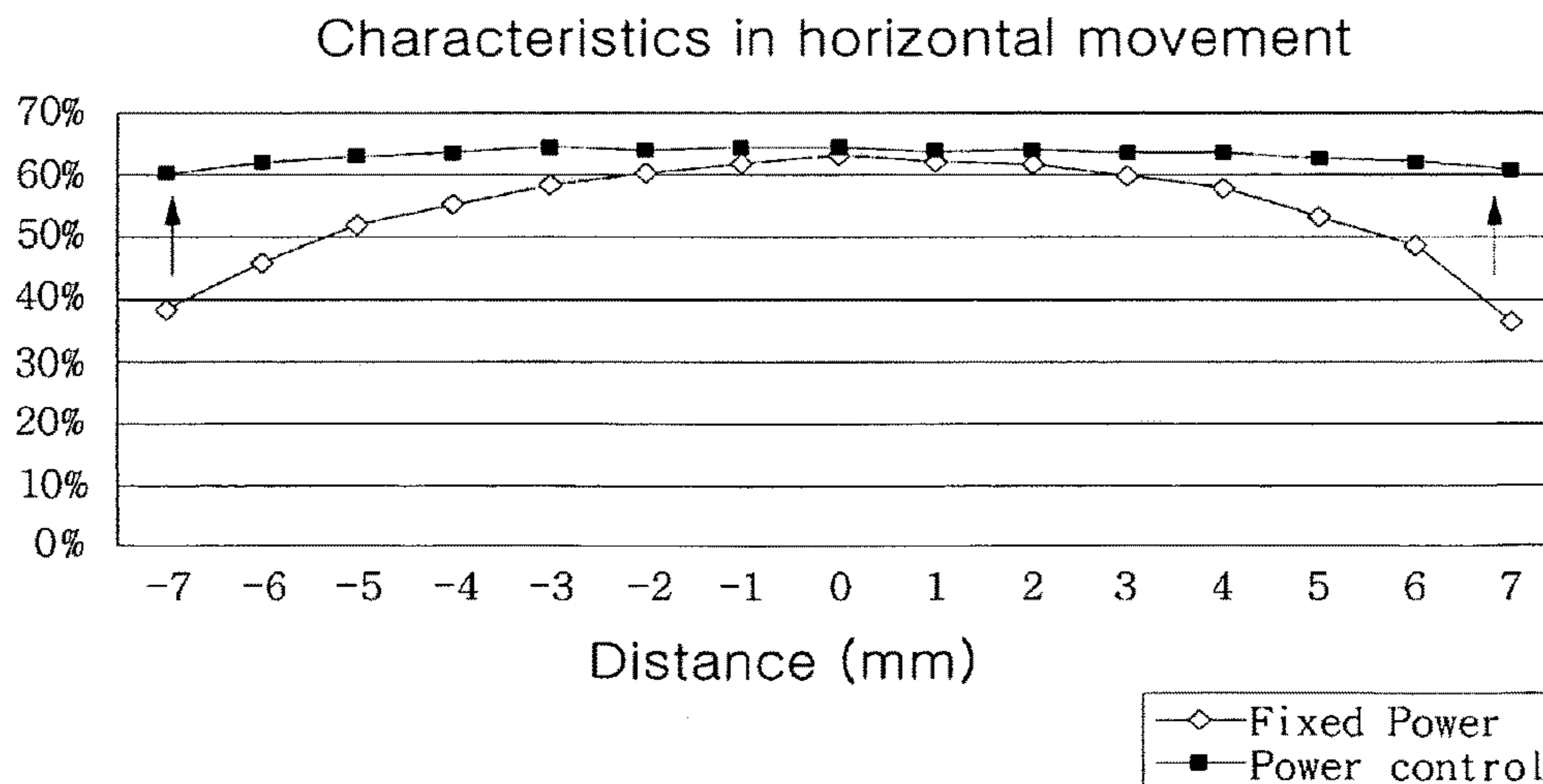


Fig. 12

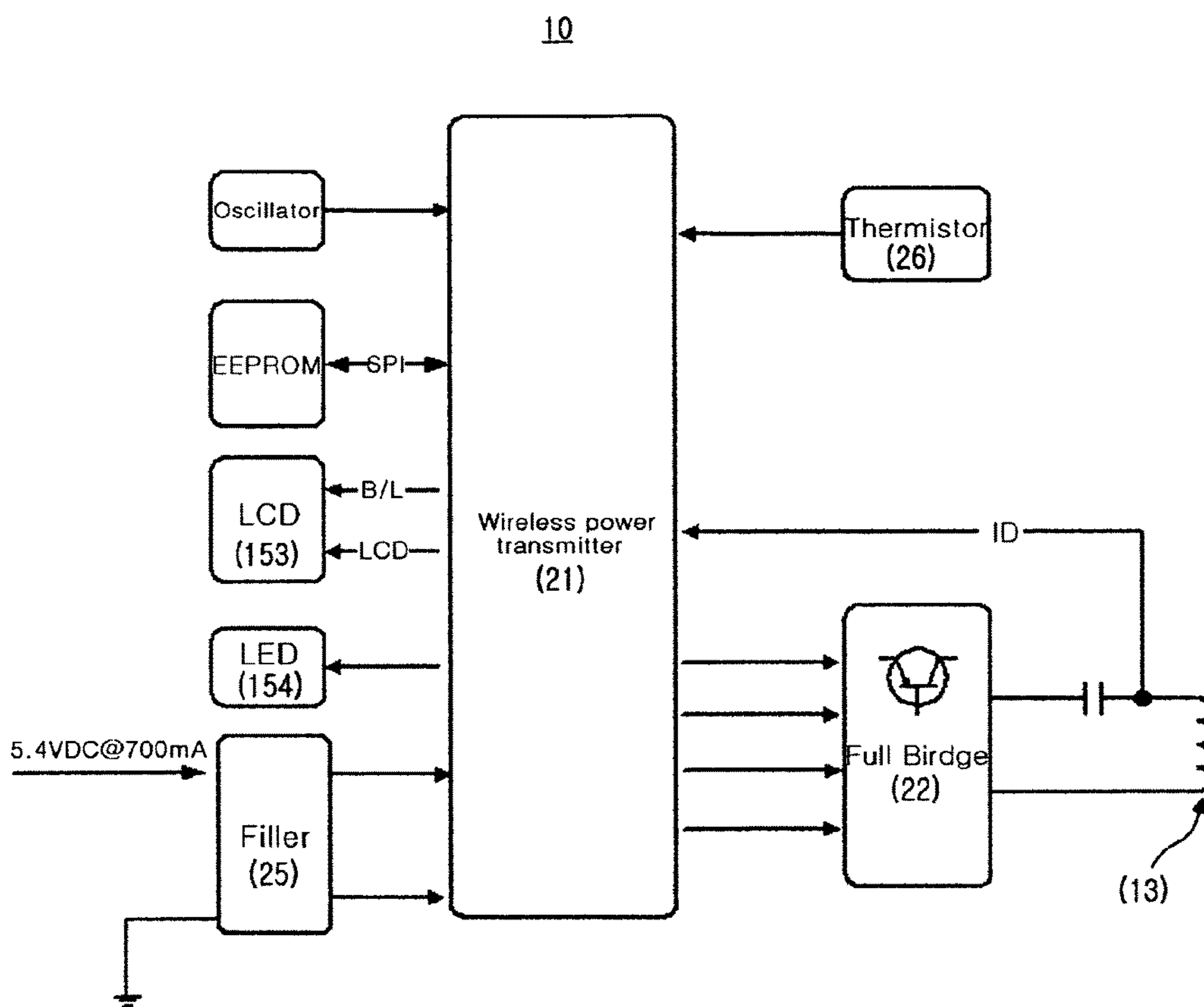


Fig. 13

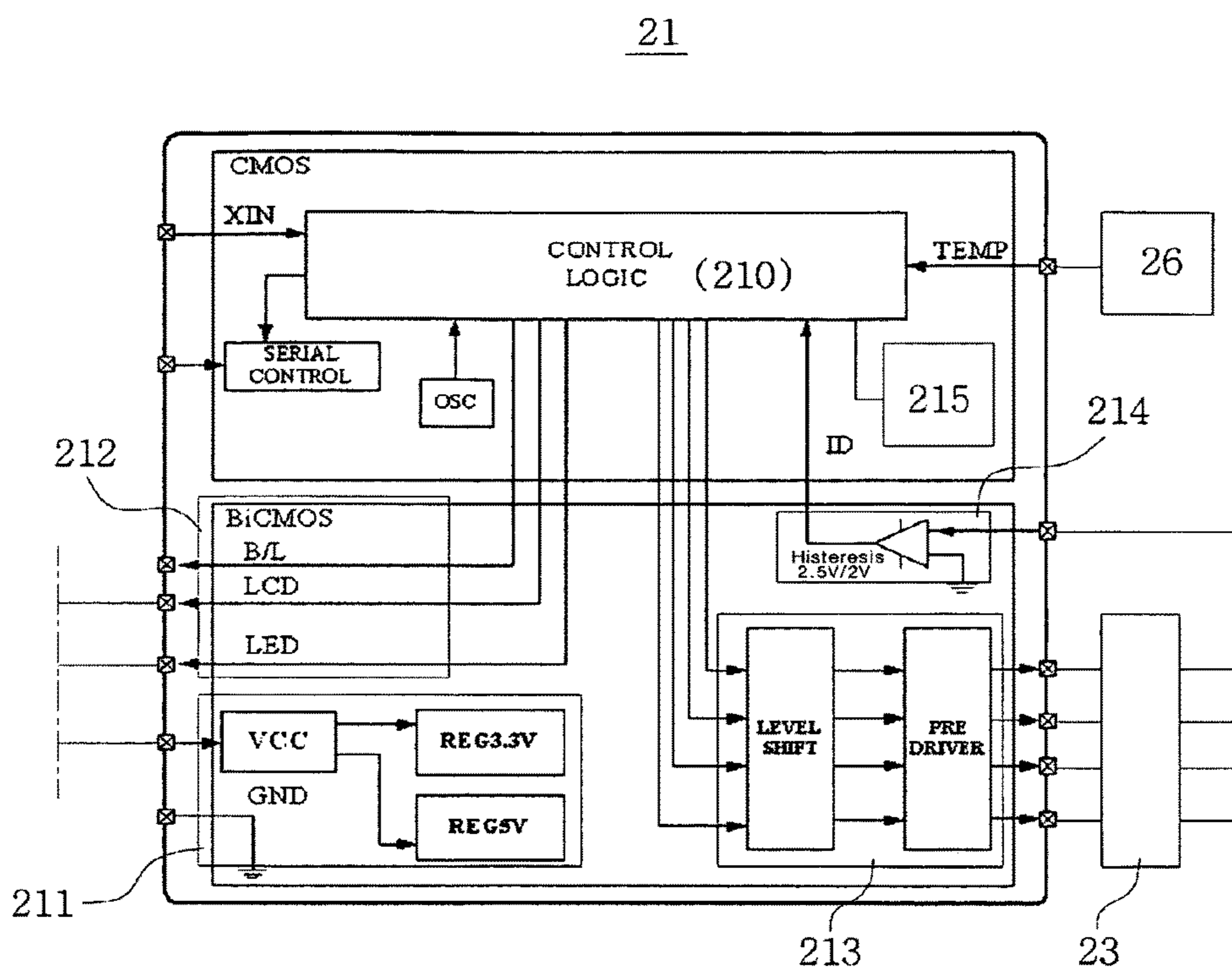


Fig. 14

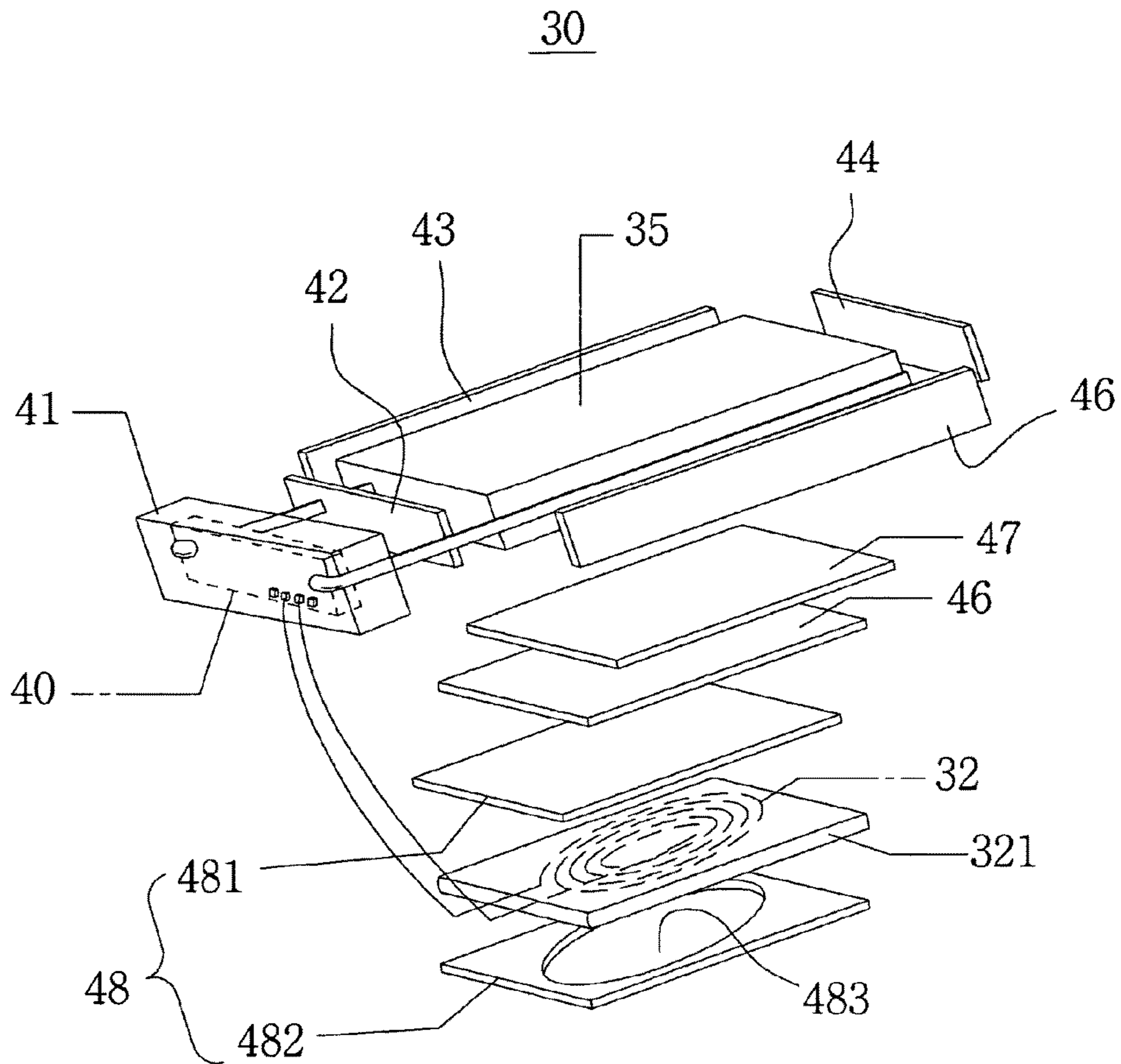


Fig. 15

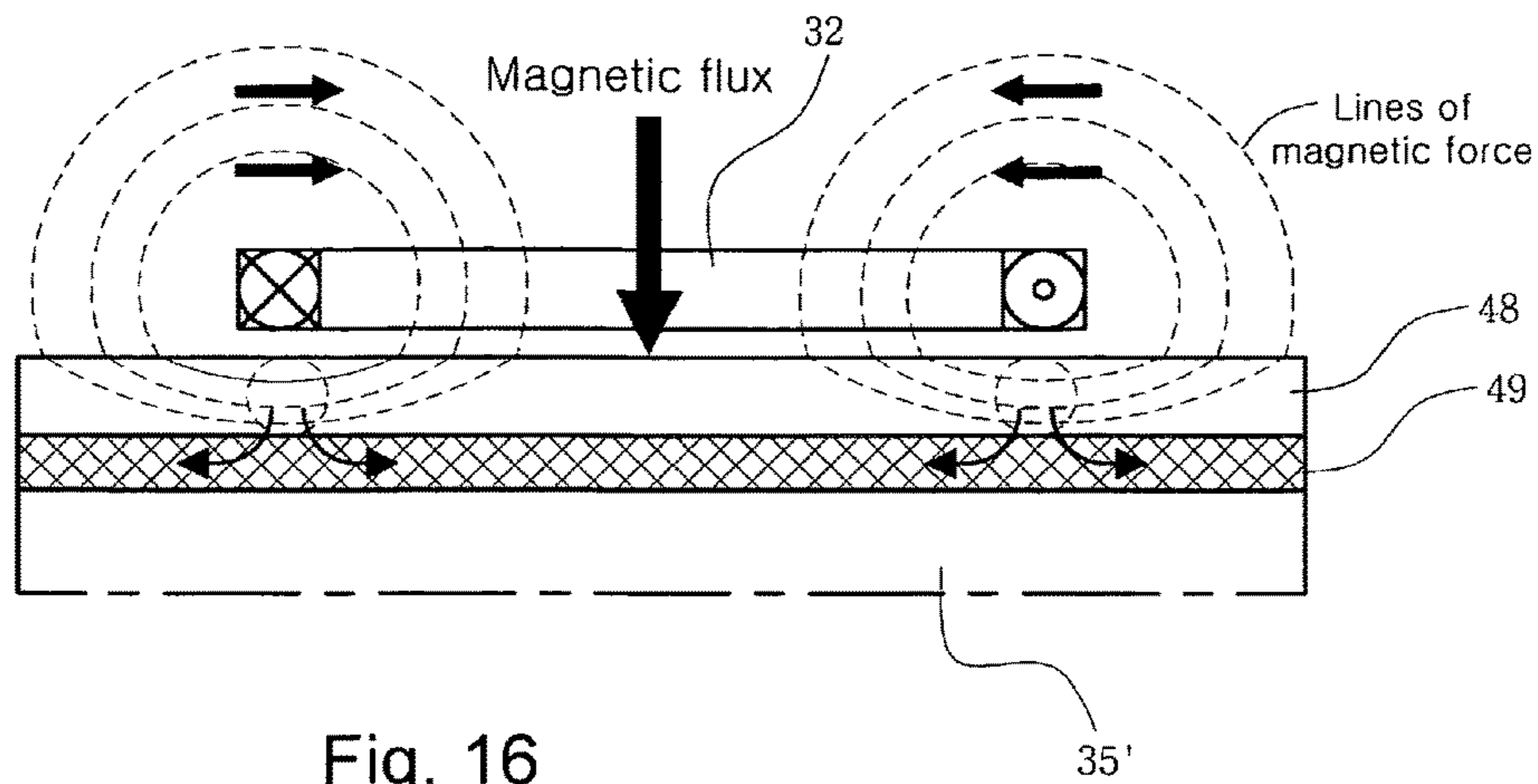
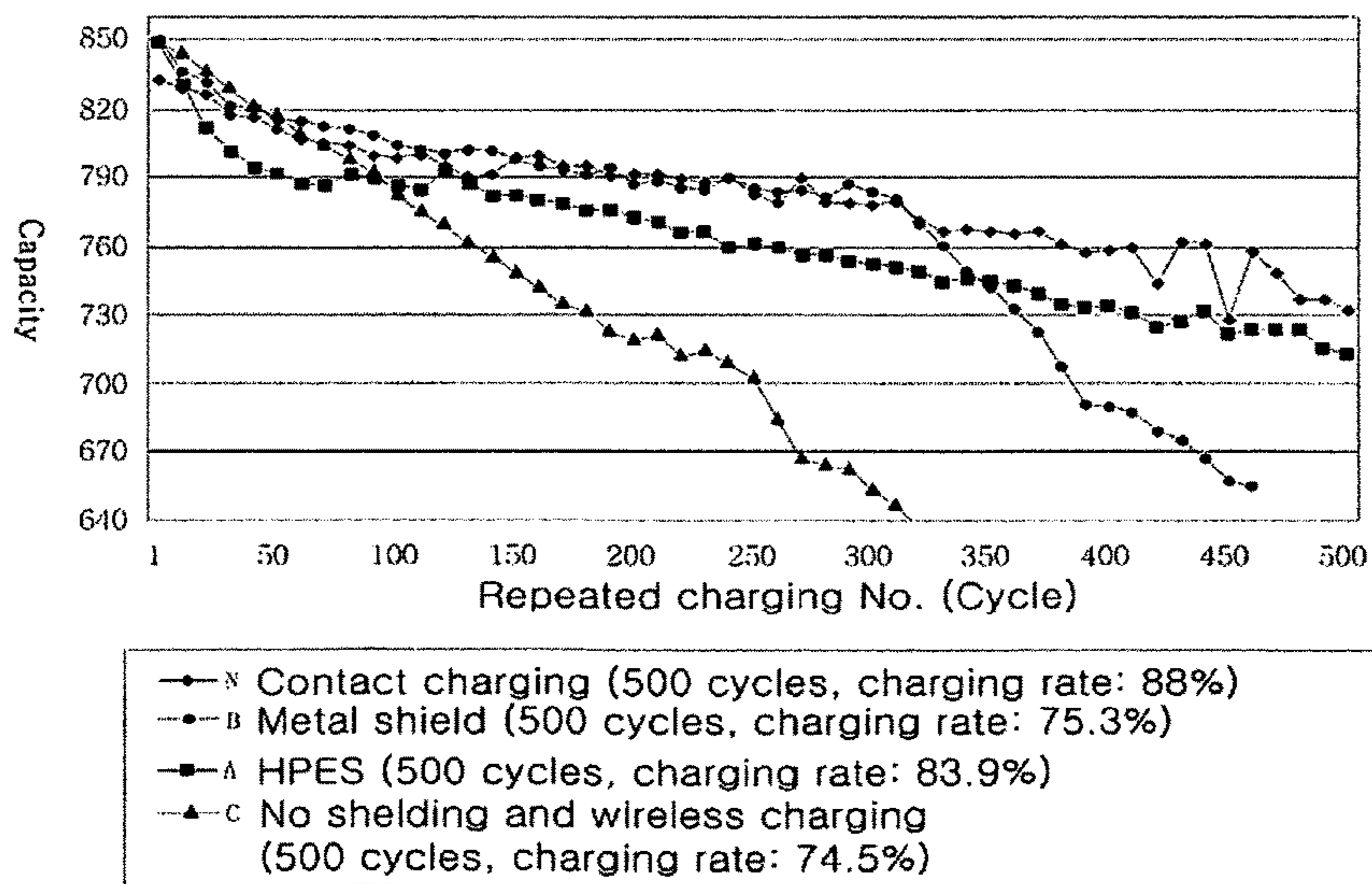


Fig. 17



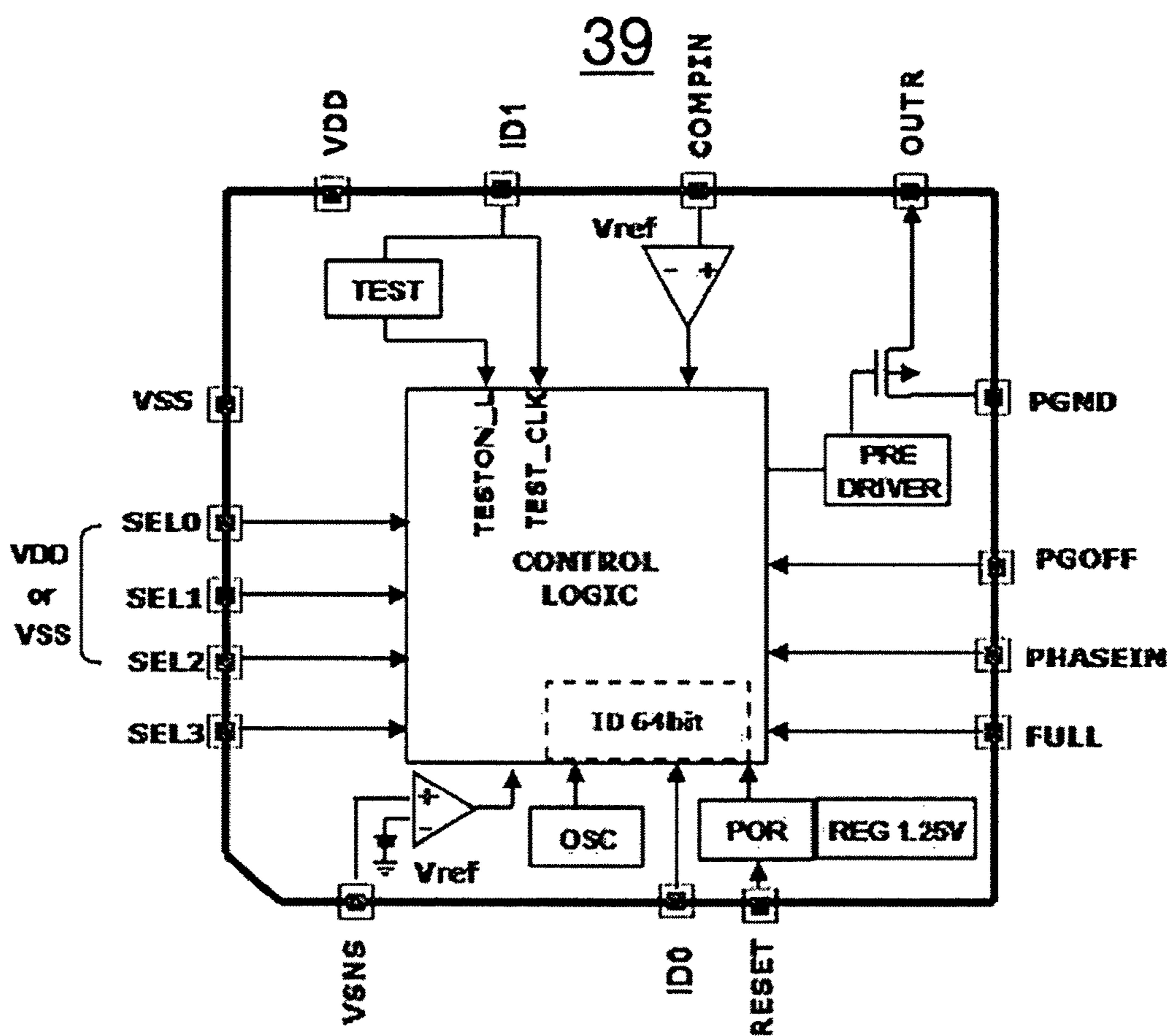
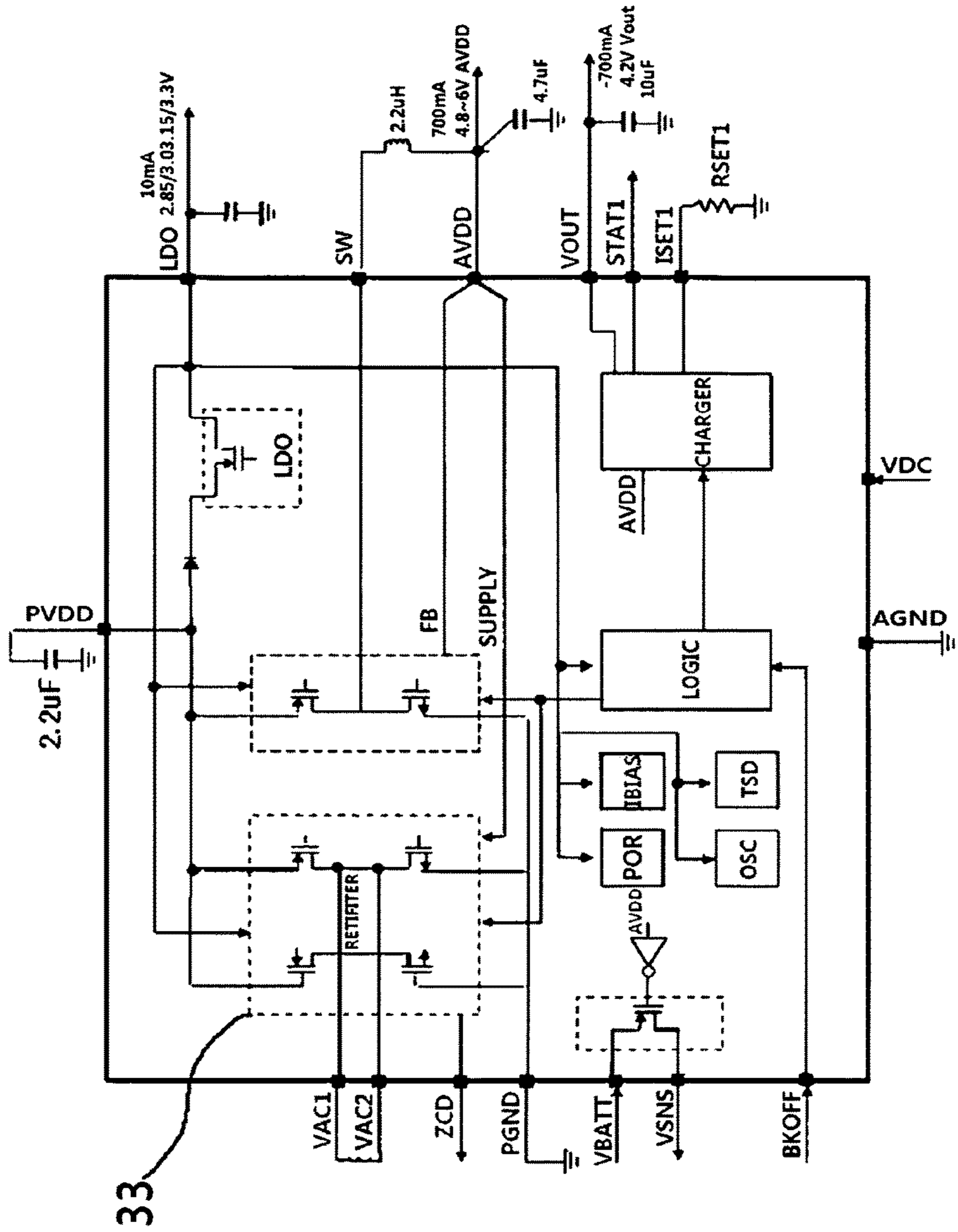


Fig. 18

Fig. 19



WIRELESS MULTI-CHARGER SYSTEM AND CONTROLLING METHOD THEREOF

Matter enclosed in heavy brackets [] appears in the original patent but forms no part of this reissue specification; matter printed in italics indicates the additions made by reissue; a claim printed with strikethrough indicates that the claim was canceled, disclaimed, or held invalid by a prior post-patent action or proceeding.

CROSS REFERENECE TO RELATED APPLICATIONS

Notice: More than one reissue application has been filed for the reissue of U.S. Pat. No. 8,102,147; the reissue applications are application Ser. Nos. 13/755,931 (the present application), 14/457,095, and 15/197,171, the present application being a continuation reissue application of U.S. patent application Ser. No. 12/166,483, filed Jul. 2, 2008, now patented as U.S. Pat. No. 8,102,147, issued on Jan. 24, 2012, which claims foreign priority of Korean Application Nos. 10-2007-01237 49 filed Nov. 30, 2007, 10-2007-0123751, filed Nov. 30, 2007 and 10-2007-0123752 filed Nov. 30, 2007, all in the Korean Intellectual Property Office.

TECHNICAL FIELD

The present invention relates to a, and more particularly to a wireless charger system, and more particularly to a wireless multi-charger system capable of saving the total charging time of a large number of wireless power transmission devices since one wireless multi-power transmission device includes a plurality of the wireless power transmission devices so that a large number of the wireless power transmission devices can be charged with electricity, and preventing the damage of the wireless power transmission devices and the wireless multi-power transmission device although foreign substances are put on charger blocks that are not charged.

BACKGROUND ART

Generally, since portable wireless power transmission devices such as mobile phones, PDA, PMP, DMB terminals, MP3 or notebook computers are not supplied with a conventional household power source since users use the portable wireless power transmission devices while moving around. Therefore, it is necessary to install disposable batteries or rechargeable batteries in the portable wireless power transmission devices.

However, as a charger for charging electricity in a battery pack for these wireless power transmission devices, there is a terminal supply system in which electricity is received from a conventional power source and a power source is supplied to a battery pack via power supply lines and a power supply terminal. However, where the battery pack is attached/detached to/from the charger when a power source is supplied to this terminal supply system, an instant discharge phenomenon occurs due to the different potential difference of terminals disposed in both sides of the battery pack. Therefore, the battery pack has an increasing possibility to start fires as foreign substances are accumulated in the terminals. Also, since the terminals are directly exposed to the air, the life span and performances of the charger and the battery pack may be deteriorated, for example, due to the spontaneous discharge in the presence of moisture or dusts.

In order to solve these problems regarding the terminal supply system, there has been developed a wireless charger. That is to say, this conventional wireless charger is charged by a secondary coil of the battery when a portable terminal block having a battery pack mounted inside is disposed upwardly in a primary coil of wireless charger. That is to say, an induced electromotive force is generated in the secondary coil by the magnetic field formed in the primary coil, and electricity induced from the induced electromotive force is charged in the secondary coil.

However, these conventional wireless chargers have no practical use since it is possible only to supply a power to a portable terminal block, but they have difficulty in use for other applications.

Furthermore, the wireless charger may be damaged due to the increased loss of power in the primary coil with the changes in the magnetic field when metals are disposed adjacent to the magnetic field generated in the primary coil.

DISCLOSURE

Technical Problem

Accordingly, the present invention is designed to solve the above problems, and therefore it is an object of the present invention to provide a wireless multi-charger system capable of saving the total charging time of a large number of wireless power transmission devices since one wireless multi-power transmission device includes a plurality of the wireless power transmission devices so that a large number of the wireless power transmission devices can be charged with electricity.

Also, it is another object of the present invention to provide a wireless multi-charger system capable of preventing the damage of the wireless power transmission devices and the wireless multi-power transmission device by stopping the power transmission when foreign substances such as metals are put on charger blocks that are not charged.

Furthermore, it is still another object of the present invention to provide a wireless multi-charger system capable of improving the charging efficiency by stably performing a continuous charging operation although the current wireless power transmission device that is on charge is touched to charge a new wireless power transmission device.

Technical Solution

In order to accomplish the above object, one embodiment of the present invention provides a wireless multi-charger system (A) including a wireless multi-power transmission device **10** for transmitting a power signal to a wireless power transmission device **30** in a wireless manner, wherein the wireless multi-power transmission device **10** include a wireless charger case **11** formed as an external body, the wireless charger case **11** having a full-bridge resonant converter **22** and a central controller **21** mounted therein to transmit a power signal to the wireless power transmission device **30** in a wireless manner, wherein the wireless charger case **11** has a wireless charger table **12** formed in an upper surface thereof, wherein the wireless charger table **12** has a plurality of charger blocks **14**, each of which includes a primary charging core **13**, wherein the full-bridge resonant converter **22** is present in a plural form and coupled respectively to a plurality of the charger blocks **14**, wherein a multi-gate driver module **23** is provided to transmit a converted power signal to each of a plurality of the full-bridge resonant converters **22** under the control of the central controller **21**,

3

and wherein a reception signal processor module **24** coupled to a plurality of the charger blocks **14** to process a signal transmitted from the wireless power transmission device **30** and supply the processed signal to the central controller **21** is provided.

In this case, the wireless charger case **11** may have a power-on/off switch **151**; an input panel **152** for inputting a signal; and a LCD panel **153** and a charging LED **154** for displaying a charging state of the wireless charger table **12** and a plurality of the charger blocks **14** and the wireless power transmission device **30**, all of which are formed in the front thereof, and may include a power supply unit **25** formed thereinside.

Also, the central controller **21** may include a power supply block **211** coupled to the power supply unit **25** to supply a power source of the wireless multi-power transmission device **10**; a signal output block **212** for outputting a display signal into the LCD panel **153** and the charging LED **154**; a gate output signal processor block **213** coupled to the multi-gate driver module **23** to transmit a power signal transmitted from the primary charging core **13**; a received signal processor block **214** coupled to one side of the primary charging core **13** for processing a signal transmitted from the reception signal processor module **24** for processing a signal transmitted from the wireless power transmission device **30**; and a main controller **210** for controlling the power supply block **211**, the signal output block **212**, the gate output signal processor block **213** and the received signal processor block **214**.

In addition, the central controller **21** may control the request for data information on charging capacity to the wireless device **30**, receive data of the information on charging capacity and data of the power signal voltage transmitted from the wireless device **30** to determine voltage data of the transmitted power signal, perform an arithmetic operation on the frequency of the power signal to compensate for a transmitted power relative to the voltage data of the power signal of the determined wireless device **30**, and control the transmission of the power signal as the compensated frequency to transmit a compensated power signal to the wireless device **30**.

Also, the wireless power transmission device **30** may include a secondary charging core **32** for transmitting an induced electric current from the magnetic field to correspond to the primary charging core **13** of the wireless multi-power transmission device **10**; a rectifier block **33** coupled to the secondary charging core **32** to rectify the induced electric current; a smoothing filter block **34** coupled to the rectifier block **33** to filter an electric current; a charger IC block **36** coupled to the smoothing filter block **34** to charge a power source in the battery cell **35**; a protection circuit module block **37** provided between the charger IC block **36** and the battery cell **35** to detect an electric current charged in the battery cell **35** and transmit information on a charging state of the battery cell **35** to the power receiver controller **39**; a positive-voltage regulator block **38** provided to supply a power source to the power receiver controller **39**; and a power receiver controller **39** for controlling the rectifier block **33**, the smoothing filter block **34**, the charger IC block **36**, the protection circuit module block **37** and the positive-voltage regulator block **38**.

In addition, the power receiver controller **39** may include a power signal processor block **393** coupled to the smoothing Filter block **34** to process a transmission signal for the data information on the power signal received from the wireless power transmission device **10**; a charge signal processor block **394** coupled to the charger IC block **36** and

4

the protection circuit module block **37** to process a transmission signal for the data information on the charging capacity and charging state of the battery cell **35**; a signal processor block **392** for processing information on the charging capacity and data information on the native ID that are transmitted to the wireless multi-power transmission device **10** under the control of the device controller **390**; a device memory unit **391** for storing data information on the native ID, temporally storing the data information of the charging capacity and the charging state transmitted from the protection circuit module block **37** and the charger IC block **36** and storing the data transmitted from the wireless multi-power transmission device **10**; and a device controller **390**.

Additionally, the main controller **210** of the wireless multi-power transmission device **10** may control the transmission of a native code signal for respective charger blocks **14** in addition to the charge power signal to the charger blocks that are on charge, the device controller **390** may analyze the native code signal for the corresponding charger block **14** transmitted from the wireless multi-power transmission device **10**, and the device memory unit **391** stores a data value of the native code signal for the corresponding charger block **14** transmitted from the device controller **390**.

Furthermore, the device controller **390** may control the transmission of a data value to the wireless multi-power transmission device **10**, the data value including a voltage value of the power signal received for the received request signal from the wireless multi-power transmission device **10**.

In order to accomplish the above object, another embodiment of the present invention provides a method for controlling a wireless multi-charger system (A) as defined in any one of claims **1** to **4**, including:

1) transmitting a power signal via the primary charging core **13** from wireless multi-power transmission device **10** of the wireless multi-charger system (A) in every cycle, the power signal including a call signal for calling a native ID value of the wireless power transmission device **30**, and waiting for the receipt of a response signal for the power signal (S01);

2) determining the presence of an object by checking a detected detection signal according to the load modulation in a primary charging core **13** of one of the charger blocks **14** and determining whether the detected detection signal is a normal signal (S02);

3) determining whether a native ID signal of the wireless power transmission device **30** is received by analyzing the detected reception signal (S03);

4) transmitting a fully charged transmission power from the primary charging core **13** of the corresponding charger block **14** via the multi-gate driver module **23** when the received native ID signal is determined to be a native ID transmitted from the wireless power transmission device **30** (S04);

5) requesting information on the charging state to the wireless power transmission device **30** and adjusting a charging level according to the charging information of the wireless power transmission device **30** (S05);

6) displaying a fully charged state in an LCD panel **153** or a charging LED **154** corresponding to the corresponding charger block **14** and stopping a charging operation when the information on the fully charged state is received from the wireless power transmission device **30** (S06).

In this case, the object detection step (S02) may include: converting a plurality of the charger blocks **14** into a foreign substance detection mode when a detection signal detected

5

through the corresponding primary charging core **13** and the reception signal processor module **24** according to the load modulation generated by objects is not a normal signal, displays a foreign substance error in the LCD panel **153** or charging LED **154** when the detected foreign substance is a metal or electronic equipment, and stops a charging operation on the corresponding charger block **14** (S021).

Also, the charging control step (S05) may include:

requesting data information on the charging capacity to the wireless power transmission device **30**;

receiving data information on the charging capacity and the voltage data of the power signal transmitted from the wireless power transmission device **30**;

determining the voltage data of the power signal transmitted from the wireless power transmission device **30**;

performing an arithmetic operation on a frequency of the power signal to compensate for the transmitted power for the voltage data of the power signal transmitted from the wireless power transmission device **30**;

transmitting a power signal as a compensated frequency to transmit a compensated power signal to the wireless power transmission device **30**.

Advantageous Effects

As described above, the wireless multi-charger system according to the present invention may be useful to save the total charging time of a large number of wireless power transmission devices since one wireless multi-power transmission device includes a plurality of the wireless power transmission devices so that a large number of the wireless power transmission devices can be charged with electricity.

Also, the wireless multi-charger system according to the present invention may be useful to prevent the damage of the wireless power transmission devices and the wireless multi-power transmission device by stopping the power transmission in the corresponding charger block when foreign substances are put on charger blocks that are not charged.

Furthermore, the wireless multi-charger system according to the present invention may be useful to improve the charging efficiency by stably performing a continuous charging operation although the current wireless power transmission device that is on charge is touched to charge a new wireless power transmission device.

DESCRIPTION OF THE DRAWINGS

FIG. **1** is a perspective view showing a wireless multi-power transmission device of a wireless multi-charger system according to the present invention.

FIG. **2** is a control block view showing the wireless multi-power transmission device of the wireless multi-charger system according to the present invention.

FIG. **3** is block view showing the wireless multi-power transmission device of the wireless multi-charger system according to the present invention.

FIG. **4** is a control flowchart showing the wireless multi-power transmission device of the wireless multi-charger system according to the present invention.

FIG. **5** is a control flowchart showing the wireless multi-power transmission device of the wireless multi-charger system according to the present invention.

FIG. **6** is a control block view showing a method for controlling a wireless multi-charger system according to the present invention.

6

FIGS. **7** to **12** are graphic diagrams illustrating the efficiencies to the power control in the wireless multi-charger system according to the present invention.

FIG. **13** is configuration view showing a wireless power transmission device according to one exemplary embodiment of the present invention.

FIG. **14** is configuration view showing a central controller of the wireless power transmission device according to one exemplary embodiment of the present invention.

FIGS. **15** and **16** are an exploded perspective view and a side cross-sectional view showing the wireless power transmission device according to the present invention, respectively.

FIG. **17** is a graphic diagram illustrating the efficiencies of the wireless power transmission device according to the present invention in the repeated charging/discharging experiments.

FIG. **18** is a circuit view showing a wireless device control module of the wireless power transmission device according to one exemplary embodiment of the present invention.

FIG. **19** is a circuit view showing a rectifier member of the wireless power transmission device according to one exemplary embodiment of the present invention.

BEST MODE

Hereinafter, preferred embodiment of the present invention will be described in detail with reference to the accompanying drawings.

FIG. **1** is a perspective view showing a wireless multi-power transmission device of a wireless multi-charger system according to the present invention, FIG. **2** is a control block view showing the wireless multi-power transmission device of the wireless multi-charger system according to the present invention, FIG. **3** is block view showing the wireless multi-power transmission device of the wireless multi-charger system according to the present invention, FIG. **4** is a control flowchart showing the wireless multi-power transmission device of the wireless multi-charger system according to the present invention, FIG. **5** is a control flowchart showing the wireless multi-power transmission device of the wireless multi-charger system according to the present invention, and FIG. **6** is a control block view showing a method for controlling a wireless multi-charger system according to the present invention.

FIGS. **7** to **12** are graphic diagrams illustrating the efficiencies to the power control in the wireless multi-charger system according to the present invention. FIGS. **7** to **12** shows the power control when a wireless power transmission device **30** moves relative to the wireless multi-power transmission device **10**.

FIG. **13** is configuration view showing a wireless power transmission device according to one exemplary embodiment of the present invention, and FIG. **14** is configuration view showing a central controller of the wireless power transmission device according to one exemplary embodiment of the present invention.

FIGS. **15** and **16** are an exploded perspective view and a side cross-sectional view showing the wireless power transmission device according to the present invention, respectively, FIG. **17** is a graphic diagram illustrating the efficiencies of the wireless power transmission device according to the present invention in the repeated charging/discharging experiments, FIG. **18** is a circuit view showing a wireless device control module of the wireless power transmission device according to one exemplary embodiment of the

present invention, and FIG. 19 is a circuit view showing a rectifier member of the wireless power transmission device according to one exemplary embodiment of the present invention.

That is to say, the wireless multi-charger system (A) according to the present invention includes a wireless multi-power transmission device 10 for transmitting a power signal to a wireless power transmission device 30 in a wireless manner, as shown in FIGS. 1 to 19.

As shown above in FIG. 1, the wireless multi-power transmission device 10 has a wireless charger case 11 formed as an external body. In this case, a full-bridge resonant converter 22 and a central controller 21 for transmitting a power signal to the wireless power transmission device 30 in a wireless manner are mounted inside the wireless charger case 11.

Also, a wireless charger table 12 is provided in an upper surface of the wireless charger case 11. In this case, a plurality of charger blocks 14 each having a primary charging core 13 are formed in the wireless charger table 12.

Therefore, the full-bridge resonant converter 22 is provided in a plural form and coupled respectively to a plurality of the charger blocks 14. And, a multi-gate driver module 23 is provided to transmit a converted power signal to each of a plurality of the full-bridge resonant converters 22 under the control of the central controller 21. Also, provided is a reception signal processor module 24 coupled to a plurality of the charger blocks 14 to process a signal transmitted from the wireless power transmission device 30 and supply the processed signal to the central controller 21.

Also, the wireless charger case 11 has a power-on/off switch 151; an input panel 152 for inputting a signal; and a LCD panel 153 and a charging LED 154 for displaying a charging state of the wireless charger table 12 and a plurality of the charger blocks 14 and the wireless power transmission device 30, all of which are formed in the front thereof, and includes a power supply unit 25 formed therein.

Therefore, the portable wireless power transmission device 30 such as mobile phones, PDA, PMP, DMB terminals, MP3 or notebook computers is put on a plurality of charger blocks 14 formed on the wireless charger case 11, as shown in FIG. 1. Therefore, the power transmission device 10 detects the wireless power transmission device 30 and performs a charging operation when the portable wireless power transmission device 30 is put on a plurality of charger blocks 14.

Also, referring to the configuration of the central controller 21 for controlling the charging operation in the wireless multi-power transmission device 10, the central controller 21 includes a power supply block 211 coupled to the power supply unit 25 to supply a power source of the wireless multi-power transmission device 10; a signal output block 212 for outputting a display signal into the LCD panel 153 and the charging LED 154; a gate output signal processor block 213 coupled to the multi-gate driver module 23 to transmit a power signal transmitted from the primary charging core 13; a received signal processor block 214 coupled to one side of the primary charging core 13 for processing a signal transmitted from the reception signal processor module 24 for processing a signal transmitted from the wireless power transmission device 30; and a main controller 210 for controlling the power supply block 211, the signal output block 212, the gate output signal processor block 213 and the received signal processor block 214, as shown in FIG. 2.

In addition, referring to the major configuration of the wireless power transmission device 30 that is charged while

being put on a plurality of the charger blocks 14 formed in the wireless charger case 11 of the wireless multi-power transmission device 10, the wireless power transmission device 30 includes a secondary charging core 32 for transmitting an induced electric current to correspond to the primary charging core 13 of the wireless multi-power transmission device 10; a rectifier block 33 coupled to the secondary charging core 32 to rectify the induced electric current; a smoothing filter block 34 coupled to the rectifier block 33 to filter an electric current; a charger IC block 36 coupled to the smoothing filter block 34 to charge a power source in the battery cell 35; a protection circuit module block 37 (PCM) provided between the charger IC block 36 and the battery cell 35 to detect an electric current charged in the battery cell 35 and transmit information on a charging state of the battery cell 35 to the power receiver controller 39, and detecting overvoltage, under voltage, electric current and shortcut of a battery; a positive-voltage regulator block 38 provided to supply a power source to the power receiver controller 39; and a power receiver controller 39 for controlling the rectifier block 33, the smoothing filter block 34, the charger IC block 36, the protection circuit module block 37 and the positive-voltage regulator block 38 and monitoring the ID generation and the charging state, as shown in FIG. 3.

Also, the power receiver controller 39 includes a power signal processor block 393 coupled to the smoothing filter block 34 to process a transmission signal for the data information on the power signal received from the wireless power transmission device 10; a charge signal processor block 394 coupled to the charger IC block 36 and the protection circuit block 37 to process a transmission signal for the data information on the charging capacity and charging state of the battery cell 35; a signal processor block 392 for processing information on the charging capacity and data information on the native ID that are transmitted to the wireless multi-power transmission device 10 under the control of the device controller 390; a device memory unit 391 for storing data information on the native ID, temporally storing the data information of the charging capacity and the charging state transmitted from the protection circuit block 37 and the charger IC block 36 and storing the data transmitted from the wireless multi-power transmission device 10; and a device controller 390.

The wireless multi-charger system (A) according to the present invention, as configured thus, has an advantage that several wireless power transmission devices 30 may be charged only one time since the wireless charger table 12 formed on the wireless multi-power transmission device 10 is formed of a plurality of the charger blocks 14.

The charging operation of the wireless multi-charger system (A) according to the present invention is described in more detail, as follows.

1) First, a standby mode step (S01) in which a power signal is transmitted in every cycle via gate signal paths 234 of the gate output signal processor block 213—the multi-gate driver module 23—the full-bridge resonant converter 22—the corresponding primary charging cores 13 of respective charger blocks 14 is performed under the control of the central controller 21 in the wireless multi-power transmission device 10 of the wireless multi-charger system (A). As described above, in the standby mode step (S01), a power signal is transmitted via the primary charging core 13 in every cycle, the power signal including a call signal for calling a native ID value of the wireless power transmission device 30, and waiting for the receipt of a response signal for the power signal.

2) Then, while a call signal for a native ID value is transmitted and the receipt of a response signal for the call signal is waited for in the standby mode step (S01), an object detection step (S02) of receiving a detection signal according to the load modulation is performed in the primary charging core 13 of one of the charger blocks 14. When any object is detected as described above, the portable wireless power transmission devices 30, such as mobile phones, PDA, PMP, DMB terminals, MP3 or notebook computers, that may be charged in a wireless manner; and conventional electronic equipments that may not be charged in a wireless manner may be put on the charger blocks 14. Therefore, the wireless multi-power transmission device 10 receives a signal according to the load modulation as a detection signal, the load modulation being generated by any of the objects as listed above, and simultaneously determines the presence of the object by determining whether the objects are put on the top of the charger block 14.

When particular problems do not occur by the use of the non-mental materials and the load modulation caused by the movement of the objects, the wireless multi-power transmission device 10 may be converted into the standby mode step (S01). However, the heat generation and erroneous operations of equipment may occur due to the charging operation in the case of the electronic equipment that may not be charged in a wireless manner, not in the case of the wireless power transmission device 30 that may be charged in a wireless manner.

Therefore, the object detection step (S02) includes: detecting these foreign substances (parasitic metal detection (PMD)) (S021). That is to say, the foreign substance detection step (S021) includes: determining whether a detection signal is not a normal signal, the detection signal being detected through the corresponding primary charging core 13 and the reception signal processor module 24 according to the load modulation generated by objects in a plurality of the charger blocks 14. The signal transmitted under the control of the central controller 21 is determined whether it is an abnormal signal whose signal determination is impossible by comparing the reception signal according to the load modulation. Therefore, the corresponding charger block 14 is converted into a foreign substance detection mode when the corresponding charger block 14 detects a foreign substance, and displays a foreign substance error in the LCD panel 153 or the charging LED 154 when the detected foreign substances is a metal or electronic equipment, and operates to stop a charging operation of the corresponding charger block 14 (parasitic metal detection (PMD) error).

3) However, a native ID determination step (S03) of analyzing and determining the detected signal according to the load modulation when the detected reception signal is determined to be data for native ID of the wireless power transmission device 30 that may be charged in a wireless manner. In the standby mode step (S01), a signal for searching the wireless power transmission device 30 is transmitted together with a request signal for requesting a data value of the native ID of the wireless power transmission device 30. Therefore, an induced electric current generated by the secondary charging core 32 is rectified through the rectifier block 33 in the wireless power transmission device 30, and then filtered through the smoothing Filter block 34. During this process, information on the received native ID request is transmitted to the device controller 390 of the power receiver controller 39, and therefore a native ID data value of the corresponding wireless power transmission device 30, which is stored in the device memory unit 391, is transmitted to the wireless multi-power transmission device

10 via the signal processor block 392. Therefore, in the case of the native ID determination step (S03), the receive reception signal according to the load modulation is processed in the reception signal processor module 24 coupled to the primary charging core 13 of the wireless multi-power transmission device 10, and then transmitted to the main controller 210 of the central controller 21 via the received signal processor block 214. Then, the main controller 210 determines whether the received data is a normal native ID data of the wireless power transmission device 30, and then determines whether the wireless power transmission device 30 is a normal device that can be charged in a wireless manner by determining whether the received data is a native ID data transmitted from the normal wireless power transmission device 30.

4) Subsequently, when the received data is proven to be a native ID transmitted from the wireless power transmission device 30, a fully charged power transmission step (S04) of transmitting a fully charged transmission power from the primary charging core 13 of the corresponding charger block 14 is performed in the multi-gate driver module 23.

Referring to the fully charged power transmission step (S04) in the wireless multi-power transmission device 10, when the main controller 210 of the central controller 21 determines that the normal wireless power transmission device 30 is put on the charger block 14 of the main controller 210, the main controller 210 transmits a control signal with the transmission of the power signal via the gate output signal processor block 213 and the gate signal path 234.

Since the control signal is transmitted to the multi-gate driver module 23, and then transmitted with the transmission of the power signal, a power signal is transmitted to the primary charging core 13 of the corresponding charger block 14 via the corresponding full-bridge resonant converter 22, and then the power signal is transmitted to the wireless power transmission device 30 due to the generation of an induced magnetic field.

During a series of these processes, configurations of the gate signal path 234 and the multi-gate driver module 23 will be described in more detail, as follows.

First, the gate signal path 234 may be composed of a plurality of signal paths corresponding respectively to the respective charger blocks 14. Therefore, a control signal of the main controller 210 is transmitted to the multi-gate driver module 23 via the respective corresponding signal paths of the gate signal paths 234. In this case, the multi-gate driver module 23 may include a gate signal converter unit 232 for processing a gate signal; an output driver 233 for transmitting the processed signal to the corresponding full-bridge resonant converter 22; and a gate controller 231.

Therefore, the gate signal path 234 is composed of a plurality of signal paths corresponding to the respective charger blocks 14. In this case, the main controller 210 is configured to transmit respective control signals to the charger block 14 respectively via the gate output signal processor block 213 including a plurality of output signal processor members, and therefore the gate signal converter unit 232 of the multi-gate driver module 23 may be composed of a plurality of converter members corresponding respectively to the charger blocks 14.

And, the gate controller 231 is configured to control the signal transmission/reception and signal processing in the multi-gate driver module 23. According to this exemplary embodiment, the control signal transmitted from the main controller 210 may be transmitted to members correspond-

ing respectively to the charger blocks **14**, and therefore a power signal is transmitted to stably transmit an induced magnetic field. As a result, this configuration is suitable to a small wireless multi-power transmission device **10**.

Also, according to another exemplary embodiment of the multi-gate driver module **23** and the gate signal paths **234**, the gate signal path **234** may be configured as a single path, and the gate signal converter unit **232** of the multi-gate driver module **23** may also be configured as a single converter member (or a plurality of converter member).

In this regard, the main controller **210** transmits a control signal to the multi-gate driver module **23**. In this case, the control signal is transmitted together with a code signal for the corresponding charger block **14** prior to transmission of a conversion signal, and the gate controller **231** of the multi-gate driver module **23** receiving the control signal determines a signal for which charger block **14** the control signal transmitted from the main controller **210** is, and the converted power signal may be transmitted to the full-bridge resonant converter **22** as a code signal for the corresponding charger block **14**.

Therefore, it is possible to simplify the configuration of the main controller **210** and the multi-gate driver module **23**, and this configuration may be suitable to manufacture the wireless multi-power transmission device **10** and the wireless power transmission device **30** in a large scale.

5) Then, a charging control step (S05) is performed by requesting information on a charging state to the wireless power transmission device **30** and controlling a charging level according to the received charging information of the wireless power transmission device **30**.

Then, the wireless power transmission device **30** controls the charger IC block **36** and the protection circuit module block **37** to charge a power source into the battery cell **35**, the power source being transmitted via the rectifier block **33** and the smoothing filter block **34** under the control of the device controller **390** after the fully charged power transmission step (S04).

For this charging operation, the device controller **390** receives information on a charging state of the battery cell **35** through the charger IC block **36** and the protection circuit module block **37**, and temporally stores the information on a charging state in the device memory unit **391**. Then, when the battery cell **35** is in a fully charged state, the charging operation is stopped by controlling the charger IC block **36**. Also, information on the fully charged state is generated in the secondary charging core **32** through the signal processor block **392**. Also, when a voltage of the charged battery cell **35** is less than a predetermined reference voltage, the battery cell **35** is converted again into a charging state to perform another charging operation. However, the battery cell **35** is proven to be in a fully charged state, the charging of the battery cell **35** is stopped (No Operation).

Therefore, the main controller **210** of the wireless multi-power transmission device **10** requests information on the charging levels in every step of the wireless power transmission device **30** in the charging control step (S05). In this case, the device controller **390** of the wireless power transmission device **30** transmits data of the information on the charging state of the battery cell **35** using a load modulation method.

As described above, the information on the charging state transmitted from the wireless power transmission device **30** is transmitted to the main controller **210** coupled to the received signal processor block **214** through the reception signal processor module **24**. The reception signal processor module **24** includes a plurality of reception signal input units

243 for receiving signals detected in the respective charger blocks **14** through the load modulation; a reception signal processor unit **242** for converting a detection signal according to the load modulation of each of the charger blocks **14**; and a reception signal controller **241** for controlling an operation of the reception signal processor module **24**.

Therefore, the transmission information of the wireless power transmission device **30** received through the load modulation is converted into signals in the reception signal processor module **24**, depending on the respective charger blocks **14**, and the converted signals are transmitted to the main controller **210** through the received signal processor blocks **214**.

The reception signal processor module **24** may generally have a plurality of amplifiers, LPF, OR logic circuits and the like, all of which are mounted thereinside. In particular, in the case of the configuration of the reception signal processor unit **242** and the reception signal path **244** of the reception signal processor module **24**, the reception signal processor unit **242** and the reception signal path **244** may be configured as a single member or as a plurality of members so as to generate a native code each of the corresponding charger blocks **14**, as described above in the exemplary embodiment of the multi-gate driver module **23**.

That is to say, when signals according to the load modulation are transmitted to each of the charger block **14s**, a plurality of the reception signal processor units **242** according to this exemplary embodiment process their own signals, and transmit the processes signals to the main controller **210** via the respective reception signal paths **244**. Therefore, signals generated in the corresponding charger blocks **14** are accurately transmitted to the main controller **210** through the separate signal processing and via the paths, and processed in the main controller **210**, and therefore it is possible to operate a system stably. Also, this system may suitably apply to small devices as in the above-mentioned multi-gate driver module **23**.

In addition, for the exemplary embodiment in which each of the reception signal processor unit **242** and the reception signal paths **244** is configured as a single member, the reception signal processor unit **242** of the multi-gate driver module **23** determines a reception signal for which charger block **14** the received signal according to the load modulation is under the control of the reception signal controller **241**, and the processed reception signal is divided into categories together with the code signal for the corresponding charger blocks **14** when the processed reception signal is transmitted via the received signal processor block **214**. Then, the main controller **210** receives the reception signals for the respective charger blocks **14**, divides respective signals into categories and processes the signals by category. Therefore, the configuration of single members may be used as the simplified configuration of the entire members.

Accordingly, the wireless multi-power transmission device **10** requests data information on a charging level to the wireless power transmission device **30** that is charged in the corresponding charger block **14** through the multi-gate driver module **23** and the primary charging core **13**, depending on the corresponding charger block **14**. As a result, the corresponding wireless power transmission device **30** transmits the data information on a charging level of the battery cell **35** that is received via the charger IC block **36** and the protection circuit module block **37**.

Also, the information is transmitted to the main controller **210** via the primary charging core **13** of the respective charger block **14** and the reception signal processor module **24**.

13

Then, the main controller **210** of the central controller **21** displays information on a charging level or state in the form of letters or figures on the LCD panel **153** through the signal output block **212**, depending on the data of the charging level in the corresponding wireless power transmission device **30**, and controls the charging LED **154** to display that the corresponding charger block **14** is on charge. Then, the LCD panel **153** displays a charging state along with the number of the corresponding charger block **14**. Also, the LCD panel **153** displays that each of the respective charger blocks **14** turns on the charging LED **154**. For example, the charging operation of the battery cell **35** is stopped when a lamp of the charging LED **154** is turned off, the battery cell **35** is on charge when the lamp is flickered, a green light is turned on the battery cell **35** is fully charged, and a red light is turned on when errors such as a foreign substance error, a native ID error are caused. As described above, the charging operation of the battery cell **35** may be performed in various manners.

During a series of these charging processes, when the wireless power transmission device **30** moves from the corresponding charger block **14** of the wireless charger table **12**, a charging efficiency in the wireless power transmission device **30** may be maximized by converting a power signal transmitted from the corresponding charger block **14** of the wireless multi-power transmission device **10**.

6) Finally, when the information on the fully charged state is received from the wireless power transmission device **30**, the fully charged state is displayed in the LCD panel **153** or the charging LED **154** corresponding to the respective charger block **14**, and the fully charged state step (S06) of stopping the charging operation is performed to stop the charging operation for the corresponding charger block **14**.

When a user removes the fully charged wireless power transmission device **30** from the charger block **14** whose charging operation is stopped, and inputs an operation start signal again, the charger blocks **14** is preferably in a standby mode.

Also, when a foreign substance error or an ID error is caused in the foreign substance detection step of detecting foreign substances, the error is displayed in the corresponding charger block **14**, and the charging operation of the corresponding charger block **14** is then stopped to ensure the stability of the wireless multi-power transmission device **10**, the wireless power transmission device **30** or other metal materials, and the electronic equipment. Therefore, when the charging operation of the corresponding charger block **14** is stopped due to the generation of the errors, the charger block **14** is in a standby mode until a re-start signal is inputted into the charger block **14** by a user.

Of course, a pulse signal is periodically transmitted to the charger blocks **14** when there is the error or the fully charged state. In this case, the charger blocks **14** are normally converted into a standby mode when the charger blocks **14** senses that the error is solved, for example, by removing the fully charged wireless power transmission device **30** or foreign substances using the signal according to the load modulation.

Also, the main controller **210** of the wireless multi-power transmission device **10** may be configured to control the charger block that is on charge to transmit a native code signals for the respective charger blocks **14** together with the charge power signal. Therefore, the device controller **390** may be configured to analyze the native code signals for the corresponding charger blocks **14** that are transmitted from the wireless multi-power transmission device **10**, and the device memory unit **391** may be configured to store a data

14

value of the native code signals for the corresponding charger blocks **14** that are transmitted from the device controller **390**.

In addition, the device controller **390** is configured to control the data value for the voltage value of the power signal to be transmitted to the wireless multi-power transmission device **10**, the voltage value of the power signal being received for the request signal received from the wireless multi-power transmission device **10**.

Also, a power source for USB ports of computers, and a power source inputted from an AC adapter, a cigar Jack and the like may be supplied to the power supply unit **25**.

Also, a temperature detector unit **26** is provided to detect temperature of the corresponding charger block **14** or the wireless multi-power transmission device **10** during the charging procedure. Therefore, an operation of the corresponding charger block **14** may be stopped when the corresponding charger block **14** is heated to the hot temperature detected in the temperature detector unit **26**, and an operation of the entire system may be stopped when the entire wireless multi-power transmission device **10** is heated to the hot temperature.

In addition, a current detection member may be provided in each of the power supply unit **25**, the multi-gate driver module **23**, the respective full-bridge resonant converters **22** or the reception signal processor modules **24** to monitor a flow of electric current. In this case, when the corresponding members becomes an over current and overvoltage state by means of the current detection member, operations of the corresponding member and its related charger block **14** are stopped, or an operation of the system is stopped, and they transmit a signal for the error.

Then, FIG. **13** is a configuration view showing a wireless multi-power transmission device according to one exemplary embodiment of the present invention. Referring to the configuration of the wireless multi-power transmission device according to one exemplary embodiment of the present invention, the wireless power transmitter includes a control logic for IC communication with a receptor module installed inside the wireless power transmission device that is a wireless device; and a pre-driver for driving a full-bridge resonance-type converter to generate an induced electromotive force using LC resonance. And, an SPI controller for communication with EEPROM for storing various parameters may be installed inside the wireless power transmitter. Also, a clock input port for operation of the system, an LCD backlight for displaying a charging state of the wireless device, and an input/output port for controlling ports of the LCD may be installed inside the wireless power transmitter. Furthermore, the wireless power transmitter may include an LED input/output port for checking the operation of the wireless device, VCC and GND input ports for DC power source, and a shut-down port for detecting temperature of a transmission coil and stopping the operation of the wireless device when an inside comparator determines the temperature of the transmission coil to be more than a predetermined temperature.

Also, FIG. **14** is a configuration view showing a central controller of the wireless multi-power transmission device according to one exemplary embodiment of the present invention. Here, it is shown that the central controller may be configured with a single mold. This single chip may have a function to enable wireless power transmission, and the FET Pre-driver has an output function, and the analog unit has a comparator installed thereinside, the comparator having an ID detection function, and may include a power-on reset, 5V, VCC-5V, a 3.3V positive-voltage regulator (in-

cluding a shutdown function in shortcut), and an input port for detecting temperature of the transmission/reception coil temperature. Also, the digital unit may include an SPI interface for serial communication, a logic for controlling wireless power transmission, and an amplifier for an external system clock oscillator amplifier. Also, a plurality of input/output ports may be installed inside the central controller to drive LED, backlight, LCD, etc.

Also, FIG. 18 is a circuit view showing a wireless device control module of the wireless power transmission device according to one exemplary embodiment of the present invention. Here, it is shown that members for controlling the wireless power transmission device 30 may be configured with a single mold. That is to say, the wireless device control module has a function to communicate with the wireless multi-power transmission device 10 in a wireless manner, and may include members such as a pre-driver and FET for ID generation, a comparator for analog input, a power-on reset as an analog unit, a clock oscillating circuit, 64-bit interior/exterior ID and a control logic. When a voltage of a battery is detected by this mold, the wireless device control module may have a function to be converted into a recharge mode, a function to feed back a value of the fully charged state of the charger IC, a function to detect a phase to recognize an encryption code, etc. In addition to the functions, the wireless device control module may be designed to have an output port for controlling an external DC/DC converter or a charger IC, an analog input and a comparator for controlling up and down of power, input/output ports for setting various modes.

Also, FIG. 19 is a circuit view showing a wireless power transmission device according to one exemplary embodiment of the present invention. Here, it is shown that a member for processing a power signal transmitted from the wireless multi-power transmission device 10 may be formed with a singly mold.

Referring to the configuration of this mold, a synchronous rectifier chip aids the adjustment of power in a receptor module of the power-receiving battery system using an induced electromotive force. Therefore, the mold may include a synchronous rectifier for generating a DC voltage from a reception coil to minimize the power loss and the heat generation, and a buck-converter used to previously control the output of the rectifier so as to supply a predetermined voltage to a charging circuit. This buck-converter may be switched on at a rate of high-speed 2 MHz so as to reduce output ripples of the rectifier and employ a micro chip inductor. Also, the output of the buck-converter may be used as an input of a linear charging circuit, and a built-in linearly charging function allows a battery to be charged with CC/CV. In this case, the battery is designed to set a charge electric current to a predetermined current level. This linearly charging function has a fully charged state port that may feed back a charging state of the battery, and the linearly charging function may also have a low dropout (LDO) regulator installed thereinside, the LDO regulator having an output voltage of 2.85V to supply a power source to a power receiver chip (a wireless device control module) that is IC for controlling external systems.

Also, this synchronous rectifier chip has low heat generation and drop characteristics (i.e., 0.4V drop in a rectifier), and has a 2 MHz buck-converter installed thereinside for the purpose of the high efficiency. Also, the synchronous rectifier chip may be maintained to the maximum input voltage of about 20V, installed inside the battery pack in the form of a Micor SMD package, and optimized for the wireless power transmission within several hundreds of kHz

bandwidth. In this case, a P-channel field effect transistor (PFET) of the buck-converter has a low R_{dson} value of 240 m Ω and the maximum load current of 700 mA, and a LDO regulator with 2.85V@10 mA may be installed inside the PFET.

Next, a power control procedure will be described in more detail in the charging control step (S05), as follows.

That is to say, a power signal transmitted by the primary charging core 13 of the wireless multi-power transmission device 10 is transmitted via the secondary charging core 32 of the wireless power transmission device 30. In this case, the device controller 390 receives information on the input voltage intensity of the power signal. Then, the device controller 390 desirably maintains the voltage of the power signal to a constant voltage level when the device controller 390 detects that a voltage (for example, about 5V) of the power signal received in the device controller 390 is transmitted as a stable voltage. When the voltage of the power signal received in the device controller 390 is too low or too high, the wireless power transmission device 30 may be configured to receive a constant voltage by transmitting information on voltage regulation to the wireless multi-power transmission device 10 in a load modulation manner. When the voltage of the power signal is regulated to the constant voltage, the device controller 390 controls the battery cell 35 to be charged with power by converting an operation of the charger IC in the charger IC block 36 of the wireless power transmission device 30 into an active state.

When the battery cell 35 of the wireless power transmission device 30 is charged with the power transmitted from the wireless multi-power transmission device 10 as described above, the protection circuit module block 37 is configured to stably charge the battery cell 35 with electric power by checking the stability of the battery cell 35 while the battery cell 35 is on charge.

When the wireless power transmission device 30 put on the corresponding charger block 14 of the wireless multi-power transmission device 10 moves around during the charging operation of the wireless multi-charger system (A) used as the wireless multi-power transmission device 10 and the wireless power transmission device 30, positions of the primary charging core 13 and the secondary charging core 32 are changed, which leads to the decreased receiving rate of the power signal received from the wireless power transmission device 30. As a result, the primary charging core 13 and the secondary charging core 32 move to inappropriate positions as the wireless power transmission device 30 becomes remote from the center toward a horizontal or vertical direction as shown in FIGS. 7 and 8, and therefore an induced electromotive force is not desirably generated in the wireless power transmission device 30.

Therefore, when the voltage of the power signal, which is received into the wireless power transmission device 30 put on the corresponding charger block 14, is less than the reference voltage value, the wireless multi-charger system (A) according to the present invention transmits a request signal for voltage compensation to the wireless multi-power transmission device 10 so as to supplement the shortage in the voltage of the power signal and transmit the supplemented voltage of the power signal.

For example, assume that a voltage of the received power signal is set to the reference voltage of 5V, and a reference deviation value is set to a voltage of 0.5V. In this case, when the wireless power transmission device 30 receives a voltage of less than 4.5V due to the movement of the wireless power transmission device 30, the device controller 390 of the wireless power transmission device controller module 39

controls the secondary charging core **32** to boost a voltage by about 0.5V and transmit the boosted voltage. Then, the secondary charging core **32** transmits a boost request signal via the signal processor block **392**.

As a result, the wireless multi-power transmission device **10** transmits the boosted power signal in response to the 0.5V boost request signal. That is to say, an oscillation frequency may be varied, for example, to boost a transmission power outputted from the wireless multi-power transmission device **10**.

As described above, the power signal transmitted from the wireless multi-power transmission device **10** is regulated according to the changes in the position of the wireless power transmission device **30**. These charging efficiencies according to the changes in the position are shown in FIGS. **7** to **12**.

That is to say, FIGS. **7** to **10** are graphic diagrams showing a primary power (W) in the wireless multi-power transmission device and a secondary power (W) in the wireless power transmission device, and their efficiencies (%), all of which are measured by moving the wireless power transmission device **30** on the corresponding charger block **14** of the wireless multi-power transmission device by $-7\text{ mm}\sim 7\text{ mm}$ in a horizontal direction and a vertical direction, respectively, when it is assumed that a secondary reference power of the wireless power transmission device is set to a voltage level of about 2.5 W. Here, the efficiency (%) is represented by an efficiency of an output power of the wireless multi-power transmission device to a primary input power of the wireless multi-power transmission device ((secondary power/primary power)*100), the output power being applied to a secondary side of the wireless multi-power transmission device.

Also, it is shown that the compensation of the transmission power is adjusted to a voltage level 0.5 W according to the present invention. Therefore, FIGS. **7** and **8** show graphs that is plotted in a secondary power of 2~2.5 W in the case of the wireless power transmission device, which indicates the charging efficiency when the wireless power transmission device **30** is charged without the compensation of the power signal according to the changes in frequency in the wireless charger apparatus **10** relative to the changes in horizontal distances and vertical distances of the wireless multi-power transmission device **10** and the wireless power transmission device **30**. That is to say, when wireless power transmission device **30** moves in a horizontal distance or a vertical distance relative to the wireless multi-power transmission device **10**, a secondary power of the wireless power transmission device **30** drops as the secondary power goes away from the center of the wireless power transmission device **30**, which leads to the decreasing efficiency.

However, for the wireless multi-charger system (A) according to the present invention as shown in FIG. **9** (a graph according to the movement of the wireless power transmission device **30** in a horizontal direction) and FIG. **10** (a graph according to the movement of the wireless power transmission device **30** in a vertical direction) on the contrary to FIGS. **7** and **8**, information on the changes in the received power voltage is transmitted from the wireless power transmission device as the wireless power transmission device **30** moves in a horizontal direction and a vertical direction on the top of the charger block **14** of the wireless multi-power transmission device **10**. As a result, the wireless multi-power transmission device **10** shows its efficiency by controlling a power through the changes in frequency. This indicates that the power transmission is stably performed in

the wireless power transmission device **30**, and therefore it is revealed that the efficiency in the power transmission is good.

Also, FIG. **11** shows a graph plotting efficiencies according to the movement of the wireless power transmission device **30** in a horizontal direction, and FIG. **12** shows a graph plotting efficiencies according to the movement of the wireless power transmission device **30** in a vertical direction. Here, it is revealed that the efficiencies are better when there is the power compensation according to the change in frequency (an upper rectangular dot graph, POWER CONTROL) than when there is no power compensation according to the change in frequency (a lower curve graph, FIXED POWER).

Therefore, a power source is stably transmitted in a wireless manner through the wireless power transmission of the wireless multi-charger system (A) that is carried out in the wireless multi-power transmission device **10** and the wireless power transmission device **30**. Therefore, the wireless multi-power transmission device **10** and the wireless power transmission device **30** may be stably used in the wireless multi-charger system (A).

In particular, the charging method for the power compensation in the charging control step (S05) of performing the above-mentioned wireless power transmission may be used as a better charging method in the case of the configuration in which a plurality of the charger blocks **14** are provided in the wireless multi-power transmission device **10** according to the present invention.

That is to say, various kinds of the wireless power transmission devices **30** may be positioned and charged on the wireless charger table **12** in the case of the configuration in which a plurality of the charger blocks **14** is configured on the wireless charger table **12** as shown in FIG. **1**.

In this case, portable wireless power transmission devices such as mobile phones, PDA, PMP, DMB terminals, MP3 or notebook computers may be used as the wireless power transmission device **30**. While one wireless power transmission device is charged on the charger block **14** positioned in one side of the wireless charger table **12**, another wireless power transmission device may be put and charged on the charger block **14** positioned in another side of the wireless charger table **12**.

Furthermore, when a user touches the wireless power transmission device that is being already charged, or shakes the wireless multi-power transmission device **10**, a primary charging core of the corresponding charger block **14** and a secondary charging core of the wireless power transmission device that is on charge may be unfortunately changed in position. Since the wireless power transmission device that is being on charge is charged with a stable voltage due to the compensation of the charging power as described above, a corresponding device may continue to be charged without any big troubles until the device is in a fully charged state.

For the wireless multi-charger system (A) according to the present invention, a wireless power transmission device is charged on each of the respective charger blocks **14**. In this case, small mobile phones may not only be charged on the respective charger blocks **14**, but large wireless power transmission devices that may be charged in a wireless manner may also be charged on the respective charger blocks **14**.

Therefore, a secondary charging core of the corresponding wireless power transmission device may be charged in a position corresponding to a primary charging core of one charger block, but other parts of the wireless power transmission device that are free from the secondary charging

core are put on other charger blocks due to the big size of the wireless power transmission device. In this case, the other charger blocks are converted into a foreign substance error mode to stop the power transmission, which may prevent the damage of other part of the wireless power transmission device.

Also, since parts, such as metal lines, of the wireless power transmission device may be used to perform a wireless charging operation, the charger blocks on which the parts are positioned are converted into a foreign substance error to stop the power transmission. Therefore, the wireless power transmission device and the wireless multi-power transmission device may stably perform their charging operation according to the power transmission since only the charger block on which the secondary charging core of the large wireless power transmission device is positioned performs its wireless charging operation.

In addition, the wireless power transmission device **30** according to the present invention includes a shielding member for protecting the wireless power transmission device **30** and the battery cell **35** from the magnetic field that is generated by the primary charging core **13** of the wireless multi-power transmission device **10** and the secondary charging core **32** of the wireless power transmission device **30**, as shown in FIGS. **15** to **19**.

First of all, FIG. **13** is an exploded perspective view showing a configuration of a wireless power transmission device **30** having a wireless power receiver module. Here, a battery pack composed of coil, fine metal, thin aluminum film (foil, etc.), lithium ion or lithium polymer has no effect on cells since a thin aluminum film is introduced into the battery pack to completely cut off the magnetic field, which allow the cells to be charged/discharged at cell cycles of 500 or more. Here, the shapes of the secondary charging core include all kinds of cores. That is to say, the shapes of the core may include a rectangular shape, a round shape or an oval shape, and various cores such as a winding coil, a spiral core and the like may be provided herein. In this case, the wireless power transmission device **30** having a wireless power receiver module includes a wireless power receiver circuit **40** including members such as a power receiver controller **39** and a charger IC block **36**, both of which are formed in one side of the charging battery cell **35**, and the wireless power receiver circuit **40** may include a shielding member **41** for preventing a surrounding magnetic field.

Also, the wireless power transmission device **30** is provided with shielding plates **42**, **43**, **44**, **45** and **46** provided in the bottom, the front, the rear, the left side and the right side of the charging battery cell **35** to protect the battery cell **35** from the magnetic field of the primary core block and the secondary core block **32** by shielding the magnetic field.

Then, since the five regions, for example, the front, the rear, the left side, the right side and the bottom of the battery cell **35** are provided respectively with the shielding plates **42**, **43**, **44**, **45** and **46** to cut off the magnetic field generated by the primary core block and the secondary core block **32**, it is possible to prevent damage of the battery cell **35** from the magnetic field. Therefore, an additional shielding plate may be provided in an upper surface of the battery cell **35**, when necessary. In this case, it is desirable when temperature is not increased due to the completely closed surroundings of the battery cell **35**.

As described above, the shielding plates **42**, **43**, **44**, **45** and **46** and the shielding member **41** may be formed of thin discs including Al, Cu, Ni Alloy metals.

Also, a magnetic plate **48** is formed between the shielding plates **46** and the charge receiver module **321** to facilitate the

induction of the magnetic field induced from the secondary charging core **32**, the shielding plates **46** formed in the bottom of the battery cell **35**, and the charge receiver module **321** including the secondary charging core **32**. This magnetic plate **48** includes amorphous ferrites, Mn—Zn (50 parts by weight:50 parts by weight), Ni—Fe (80 parts by weight:20 parts by weight), fine metals (Fe—Si—Cu—Nb), etc.

The magnetic plate **48** may be composed of an upper magnetic plate **481** formed between the shielding plates **46** and the charge receiver module **321**; and a lower magnetic plate **252** disposed in a lower portion of the charge receiver module **321**. Therefore, the lower magnetic plate **482** may have a lower plate thorough hole as a thorough hole passed through the center thereof. This shape of the lower plate thorough hole **483** is preferably formed with the same shape as the core of the secondary core block **32**. For example, FIG. **15** shows that the lower plate thorough hole **483** of the lower magnetic plate **482** is formed with a round shape since the secondary core block **32** is formed of a round core. However, when the core is formed with a rectangular shape or a polygonal shape, the lower plate thorough hole **483** is preferably formed with the same shape. Therefore, an induced electromotive force is easily generated in the secondary core block **32** due to the presence of the lower plate thorough hole **483**, the secondary core block **32** being that is present within the induced magnetic field, and the signal may be transmitted/received in an easy manner.

Also, the magnetic plate **48** is provided with an insulating plate **47** that is provided between the shielding plates **46** and the battery cell **35** to insulate the battery cell **35**, the shielding plates **46** being formed in the bottom of the battery cell **35**. Since this insulating plate **47** is formed in the form of a mesh or thin film that is made of Ni—Cu, the heat of the shielding plates **46** is not delivered to the battery cell **35**.

As another example of the magnetic field shielding member, the magnetic plate **48** is provided with a magnetic plate **48** (a primary HPES:Hanrim Postech Electro-magnetic shield) formed between an aluminum-based battery cell case **35'** and the secondary core block **32** as shown in FIG. **16**, the aluminum-based battery cell case **35'** constituting an outer body of the battery cell **35**. In this case, a shield mesh member **49** is further provided as a secondary HPES between the magnetic plate **48** (i.e., a primary HPES) and the battery cell case **35'**. The magnetic plate **48** as a primary HPES and the shield mesh member **49** as a secondary HPES may be composed of the same components as in the above-mentioned shielding member.

It is known that most of the magnetic field is shielded by the magnetic plate **48** that is a primary HPES. As shown in FIG. **16**, it is revealed that a line of magnetic force does not affect a battery cell since the line of magnetic force is bent by the magnetic plate **48** that is a shielding plate. As a result, the heat is generated in a peak region by the line of magnetic force, and then radiated out by the metallic magnetic plate **48**. In addition, the shield mesh member **49** as a secondary HPES is formed by coating a metal mesh with a coating agent selected from the group consisting of amorphous ferrites, Mn—Zn (50 parts by weight:50 parts by weight), Ni—Fe (80 parts by weight:20 parts by weight), or fine metals (Fe—Si—Cu—Nb). Therefore, the secondary HPES functions to shield the magnetic field that is not shielded by the magnetic plate **48** that is a primary HPES. An eddy current is formed by excessive line of magnetic force in the metal mesh of the shield mesh member **49** that is a secondary HPES. In this case, the battery pack should be affected by the magnetic field that is generated by the primary core

block and the secondary core block due to the presence of the eddy current formed in the metal mesh. In this experiment, it is revealed that about 90% of the magnetic field is shielded by the magnetic plate **48** that is a primary HPES, and about 10% of the magnetic field is shielded by the shield mesh member **49** that is a secondary HPES.

The wireless power transmission device **30** including the magnetic plate **48** as a primary HPES and the shield mesh member **49** as a secondary HPES is used to repeat a charging experiment (500 cycles) for the charging efficiency. Here, a battery is not coupled to a charging device in wireless manner, but the battery is coupled to the charging device through wires to perform a charging/discharging experiment, as shown in FIG. **17**. Accordingly, FIG. **17** shows a graph that is plotted using an 80% efficiency curve as the reference curve (hereinafter, referred to as "standard efficiency line segment" (D)), the 80% efficiency curve being obtained through the repeated charging/discharging of a battery pack at 500 cycles and referred to as a stable charging efficiency. First, when the wireless power transmission device **30** is generally charged through electrical contacts without the exposure to the magnetic field (a graph represented by "N" in FIG. **17**), the experiment of the wireless power transmission device **30** is carried out so that the charging capacities can be plotted over the standard efficiency line segment, which indicates that the charging/discharging efficiency is stable in the battery pack.

Accordingly, for the wireless power transmission device **30** according to the present invention, it is shown that the charging/discharging efficiency by the magnetic plate **48** as a primary HPES and the shield mesh member **49** as a secondary HPES (a graph represented by "A" in FIG. **17**) is stable with an efficiency of 83.9% on the basis of 500-cycle charging/discharging experiment.

However, when the secondary HPES is not used in the wireless power transmission device **30**, it is shown that the charging/discharging efficiency (a graph represented by "B" in FIG. **17**) is rather low with an efficiency of 75.3% on the basis of 460-cycle charging/discharging experiment. When the primary HPES and the secondary HPES are not used in the wireless power transmission device **30**, it is shown that the charging/discharging efficiency (a graph represented by "C" in FIG. **17**) is very low with an efficiency of 74.5% in the charging/discharging experiment at 340 cycles that are far away below the 500 cycles. However, it is revealed that the wireless power transmission device **30** according to the present invention shows a highly excellent charging/discharging efficiency.

The description proposed herein is just an exemplary embodiment for the purpose of illustrations only, not intended to limit the scope of the invention, so it should be understood that other equivalents and modifications could be made thereto without departing from the spirit and scope of the invention as apparent to those skilled in the art. Therefore, it should be understood that the present invention might be not defined within the scope of which is described in detailed description but within the scope of which is defined in the claims and their equivalents.

The invention claimed is:

1. A wireless multi-charger system comprising a wireless multi-power transmission device for transmitting a power signal to a wireless power transmission device in a wireless manner,

wherein the wireless multi-power transmission device include a wireless charger case formed as an external body, the wireless charger case having a full-bridge resonant converter and a central controller mounted

thereinside to transmit a power signal to the wireless power transmission device in a wireless manner, wherein the wireless charger case has a wireless charger table formed in an upper surface thereof,

wherein the wireless charger table has a plurality of charger blocks, each of which includes a primary charging core,

wherein the full-bridge resonant converter is present in a plural form and coupled respectively to a plurality of the charger blocks,

wherein a multi-gate driver module is provided to transmit a converted power signal to each of a plurality of the full-bridge resonant converters under the control of the central controller,

wherein a reception signal processor module coupled to a plurality of the charger blocks to process a signal transmitted from the wireless power transmission device and supply the processed signal to the central controller is provided, and

wherein the central controller comprises:

a power supply block coupled to the power supply unit to supply a power source of the wireless multi-power transmission device;

a signal output block for outputting a display signal into an LCD panel and a charging LED;

a gate output signal processor block coupled to the multi-gate driver module to transmit a power signal transmitted from the primary charging core;

a received signal processor block coupled to one side of the primary charging core for processing a signal transmitted from the reception signal processor module for processing a signal transmitted from the wireless power transmission device; and

a main controller for controlling the power supply block, the signal output block, the gate output signal processor block and the received signal processor block.

2. The wireless multi-charger system according to claim **1**, wherein the central controller controls the request for data information on charging capacity to the wireless power transmission device, receives data of the information on charging capacity and data of the power signal voltage transmitted from the wireless power transmission device to determine voltage data of the transmitted power signal, performs an arithmetic operation on the frequency of the power signal to compensate for a transmitted power relative to the voltage data of the power signal of the determined wireless power transmission device, and controls the transmission of the power signal as the compensated frequency to transmit a compensated power signal to the wireless power transmission device.

3. A method for controlling a wireless multi-charger system as defined in claim **1**, comprising:

transmitting a power signal via the primary charging core from wireless multi-power transmission device of the wireless multi-charger system in every cycle, the power signal including a call signal for calling a native ID value of the wireless power transmission device, and waiting for the receipt of a response signal for the power signal;

determining the presence of an object by checking a detected detection signal according to load modulation in the primary charging core of one of the charger blocks and determining whether the detected detection signal is a normal signal;

23

determining whether a native ID signal of the wireless power transmission device is received by analyzing the detected reception signal;

transmitting a fully charged transmission power from the primary charging core of the corresponding charger block via the multi-gate driver module when the received native ID signal is determined to be a native ID transmitted from the wireless power transmission device;

requesting information on the charging state to the wireless power transmission device and adjusting a charging level according to the charging information of the wireless power transmission device;

displaying a fully charged state in the LCD panel or the charging LED corresponding to the corresponding charger block and stopping a charging operation when the information on the fully charged state is received from the wireless power transmission device.

4. The method for controlling the wireless multi-charger system according to claim 3, wherein the object detection step comprises: converting a plurality of the charger blocks into a foreign substance detection mode when a detection signal detected through the corresponding primary charging core and the reception signal processor module according to the load modulation generated by objects is not a normal signal, displays a foreign substance error in the LCD panel or the charging LED when the detected foreign substance is a metal or electronic equipment, and stops a charging operation on the corresponding charger block.

5. The method for controlling the wireless multi-charger system according to claim 3, wherein the charging control step comprises:

requesting data information on the charging capacity to the wireless power transmission device;

receiving data information on the charging capacity and the voltage data of the power signal transmitted from the wireless power transmission device;

determining the voltage data of the power signal transmitted from the wireless power transmission device;

performing an arithmetic operation on a frequency of the power signal to compensate for the transmitted power for the voltage data of the power signal transmitted from the wireless power transmission device;

transmitting a power signal as a compensated frequency to transmit a compensated power signal to the wireless power transmission device.

6. A method for controlling the wireless multi-charger system as defined in claim 2, comprising:

transmitting a power signal via the primary charging core from the wireless multi-power transmission device of the wireless multi-charger system in every cycle, the power signal including a call signal for calling a native ID value of the wireless power transmission device, and waiting for the receipt of a response signal for the power signal;

determining the presence of an object by checking a detected detection signal according to load modulation in the primary charging core of one of the charger blocks and determining whether the detected detection signal is a normal signal;

determining whether a native ID signal of the wireless power transmission device is received by analyzing the detected reception signal;

transmitting a fully charged transmission power from the primary charging core of the corresponding charger block via the multi-gate driver module when the

24

received native ID signal is determined to be a native ID transmitted from the wireless power transmission device;

requesting information on the charging state to the wireless power transmission device and adjusting a charging level according to the charging information of the wireless power transmission device;

displaying a fully charged state in an LCD panel or a charging LED corresponding to the corresponding charger block and stopping a charging operation when the information on the fully charged state is received from the wireless power transmission device.

7. The wireless multi-charger system according to claim 1, wherein the LCD panel is configured to display a total charging state of the plurality of the charger blocks, and the charging LED is configured to display a charging state of each of the plurality of the charger blocks.

8. A wireless multi-charger system comprising a wireless multi-power transmission device for transmitting a power signal to a wireless power transmission device in a wireless manner,

wherein the wireless multi-power transmission device include a wireless charger case formed as an external body, the wireless charger case having a full-bridge resonant converter and a central controller mounted thereinside to transmit a power signal to the wireless power transmission device in a wireless manner,

wherein the wireless charger case has a wireless charger table formed in an upper surface thereof,

wherein the wireless charger table has a plurality of charger blocks, each of which includes a primary charging core,

wherein the full-bridge resonant converter is present in a plural form and coupled respectively to a plurality of the charger blocks,

wherein a multi-gate driver module is provided to transmit a converted power signal to each of a plurality of the full-bridge resonant converters under the control of the central controller,

wherein a reception signal processor module coupled to a plurality of the charger blocks to process a signal transmitted from the wireless power transmission device and supply the processed signal to the central controller is provided, and

wherein the wireless power transmission device comprises:

a secondary charging core for transmitting an induced electric current from the magnetic field to correspond to the primary charging core of the wireless multi-power transmission device;

a rectifier block coupled to the secondary charging core to rectify the induced electric current;

a smoothing filter block coupled to the rectifier block to filter an electric current;

a charger IC block coupled to the smoothing filter block to charge a power source in the battery cell;

a protection circuit module block provided between the charger IC block and the battery cell to detect an electric current charged in the battery cell and transmit information on a charging state of the battery cell to the power receiver controller;

a positive-voltage regulator block provided to supply a power source to the power receiver controller; and

a power receiver controller for controlling the rectifier block, the smoothing filter block, the charger IC block, the protection circuit module block and the positive-voltage regulator block.

25

9. The wireless multi-charger system according to claim 8, wherein the power receiver controller comprises:
 a power signal processor block coupled to the smoothing filter block to process a transmission signal for the data information on the power signal received from the wireless power transmission device;
 a charge signal processor block coupled to the charger IC block and the protection circuit module block to process a transmission signal for the data information on the charging capacity and charging state of the battery cell;
 a signal processor block for processing information on the charging capacity and data information on the native ID that are transmitted to the wireless multi-power transmission device under the control of the device controller;
 a device memory unit for storing data information on the native ID, temporally storing the data information of the charging capacity and the charging state transmitted from the protection circuit module block and the charger IC block and storing the data transmitted from the wireless multi-power transmission device; and
 a device controller.

10. The wireless multi-charger system according to claim 9, wherein the main controller of the wireless multi-power transmission device controls the transmission of a native code signal for the respective charger blocks in addition to the charge power signal to the charger blocks that are on charge,

wherein the device controller analyzes the native code signal for the corresponding charger block transmitted from the wireless multi-power transmission device, and wherein the device memory unit stores a data value of the native code signal for the corresponding charger block transmitted from the device controller.

11. The wireless multi-charger system according to claim 9, wherein the device controller controls transmission of a data value to the wireless multi-power transmission device, the data value including a voltage value of the power signal received for the received request signal from the wireless multi-power transmission device.

12. *A wireless multi-power transmission device for transmitting a power signal to a wireless device in a wireless manner,*

wherein the wireless multi-power transmission device includes a wireless charger case formed as an external body, the wireless charger case having full-bridge resonant converters and a central controller mounted thereinside to transmit the power signal to the wireless device in a wireless manner,

wherein the wireless charger case has a wireless charger table,

wherein the wireless charger table has a plurality of charger blocks, each of which includes a primary charging core,

wherein the full-bridge resonant converter is present in a plural form and coupled respectively to the plurality of the charger blocks,

wherein a multi-gate driver module is provided to transmit a converted power signal to each of the full-bridge resonant converters under the control of the central controller,

wherein a reception signal processor module coupled to the plurality of the charger blocks to process a signal transmitted from the wireless device and supply the processed signal to the central controller is provided, and

26

wherein the central controller comprises:

a power supply block coupled to a power supply unit to supply a power source of the wireless multi-power transmission device;

a signal output block for outputting a display signal into a display panel;

a gate output signal processor block coupled to the multi-gate driver module to transmit a power signal;

a received signal processor block coupled to one side of the primary charging core for processing a signal transmitted from the reception signal processor module; and

a main controller for controlling the power supply block, the signal output block, the gate output signal processor block and the received signal processor block.

13. *The wireless multi-power transmission device according to claim 12, wherein the central controller controls a request for data information on charging capacity to the wireless device, receives data of the information on charging capacity and data of the power signal voltage transmitted from the wireless device to determine voltage data of the transmitted power signal, performs an arithmetic operation on the frequency of the power signal to compensate for a transmitted power relative to the voltage data of the power signal of the determined wireless device, and controls the transmission of the power signal as the compensated frequency to transmit a compensated power signal to the wireless device.*

14. *A wireless device for receiving a power signal from a wireless multi-power transmission device having a primary charging core, the wireless device comprising:*

a secondary charging core for inducing a magnetic field from the primary charging core which is magnetically coupled with the secondary charging core, for receiving a first power signal and a second power signal from the wireless multi-power transmission device, for transmitting a response signal to the wireless multi-power transmission device, the first power signal including a call signal for calling a native ID value of a wireless device, the response signal including the native ID value;

a rectifier block coupled to the secondary charging core to rectify an electric current induced by the magnetic field;

a smoothing filter block coupled to the rectifier block to filter the rectified electric current;

a charger IC block coupled to the smoothing filter block to charge a power source in a battery cell;

a protection circuit module block provided between the charger IC block and the battery cell to detect an electric current charged in the battery cell and to transmit information on a charging state of the battery cell to a power receiver controller;

a positive-voltage regulator block provided to supply a power source to the power receiver controller; and

the power receiver controller for controlling the rectifier block, the smoothing filter block, the charger IC block, the protection circuit module block and the positive-voltage regulator block,

wherein a secondary charging core receives the second power signal when the native ID value is determined to be received at the wireless multi-power transmission device,

wherein other charger blocks except for the corresponding charger block are converted into a foreign substance error mode to stop the power transmission.

wherein other charger blocks except for the corresponding charger block are converted into a foreign substance error mode to stop the power transmission.

wherein other charger blocks except for the corresponding charger block are converted into a foreign substance error mode to stop the power transmission.

wherein other charger blocks except for the corresponding charger block are converted into a foreign substance error mode to stop the power transmission.

27

15. The wireless device according to claim 14, wherein the power receiver controller comprises:

a power signal processor block coupled to the smoothing filter block to process a transmission signal for the data information on the power signal received from the wireless device;

a charge signal processor block coupled to the charger IC block and the protection circuit module block to process a transmission signal for the data information on the charging capacity and charging state of the battery cell;

a signal processor block for processing information on the charging capacity and data information on a native ID that are transmitted to the wireless multi-power transmission device;

a device memory unit for storing data information on the native ID, temporally storing the data information of the charging capacity and the charging state transmitted from the protection circuit module block and the charger IC block and storing the data transmitted from the wireless multi-power transmission device; and

a device controller for controlling the transmission of the native ID.

16. A wireless multi-power transmission device having a primary charging core for transmitting a power signal to a wireless device, the multi-power transmission device comprising:

28

multiple charger blocks each of which includes a primary charging core for inducing a magnetic field to a secondary charging core to be magnetically coupled with the primary charging core;

multiple full-bridge resonant converters each of which is coupled respectively to one of the multiple charger blocks and is provided to transfer a converted power signal to the primary charging core of the coupled charger block;

multiple reception signal processor modules each of which is coupled respectively to one of the multiple charger blocks to process a signal received from the wireless device and supplies the processed signal to a main controller;

the main controller for controlling multi-gate driver modules to select a corresponding full-bridge resonant converter from among the multiple full-bridge resonant converters; and

the multi-gate driver modules for transferring a converted power signal to the corresponding full-bridge resonant converter,

wherein the primary charging core is configured for receiving, from the wireless device, an adjustment signal which indicates adjusting a transmission power of a corresponding charger block in the multiple charger blocks.

* * * * *