



US00RE46298E

(19) **United States**  
(12) **Reissued Patent**  
**Eilmus et al.**

(10) **Patent Number: US RE46,298 E**  
(45) **Date of Reissued Patent: Feb. 7, 2017**

(54) **SINK**

(71) Applicant: **Kohler Co.**, Kohler, WI (US)

(72) Inventors: **Niels J. Eilmus**, Sheboygan, WI (US);  
**Terrence K. Mahon**, Whitefish Bay,  
WI (US); **Mary Reid**, Sheboygan, WI  
(US)

(73) Assignee: **KOHLER CO.**, Kohler, WI (US)

(21) Appl. No.: **29/533,016**

(22) Filed: **Jul. 13, 2015**

**Related U.S. Patent Documents**

Reissue of:

(64) Patent No.: **Des. 627,864**  
Issued: **Nov. 23, 2010**  
Appl. No.: **29/336,324**  
Filed: **Apr. 30, 2009**

U.S. Applications:

(62) Division of application No. 29/421,144, filed on May  
17, 2012, now Pat. No. Re. 45,624, which is an  
application for the reissue of Pat. No. Des. 627,864.

(51) **LOC (10) Cl.** ..... **23-01**

(52) **U.S. Cl.**  
USPC ..... **D23/290**

(58) **Field of Classification Search**  
USPC ... D23/284, 286, 287, 290, 293.1, 303, 308,  
D23/272, 273, 274

(Continued)

(56) **References Cited**

**U.S. PATENT DOCUMENTS**

D295,670 S 5/1988 Reid et al.  
D307,964 S 5/1990 Sauter et al.

(Continued)

**OTHER PUBLICATIONS**

Kohler Co. "Anthem Kitchen Sink". Model No. K-5840. Kohler Co.  
catalog.

(Continued)

*Primary Examiner* — Phillip S Hyder

(74) *Attorney, Agent, or Firm* — Foley & Lardner LLP

(57) **CLAIM**

The ornamental design for a sink, as shown and described.

**DESCRIPTION**

*Notice: More than one reissue application has been filed for  
the reissue of U.S. Pat. No. D627,864; this application is a  
reissue divisional of application Ser. No. 29/421,144, filed  
May 17, 2012, which is an application for reissue of U.S.  
Pat. No. D627,864, both of which are incorporated herein by  
reference in their entireties.*

FIG. 1 is a right, top, front perspective view of a sink  
embodying our new design;

FIG. 2 is a top plan view thereof;

FIG. 3 is a front elevational view thereof;

FIG. 4 is a right side elevational view thereof, the left side  
elevational view [There of] *thereof* being a mirror image of  
the right side shown;

FIG. 5 is a rear elevational view thereof; and,

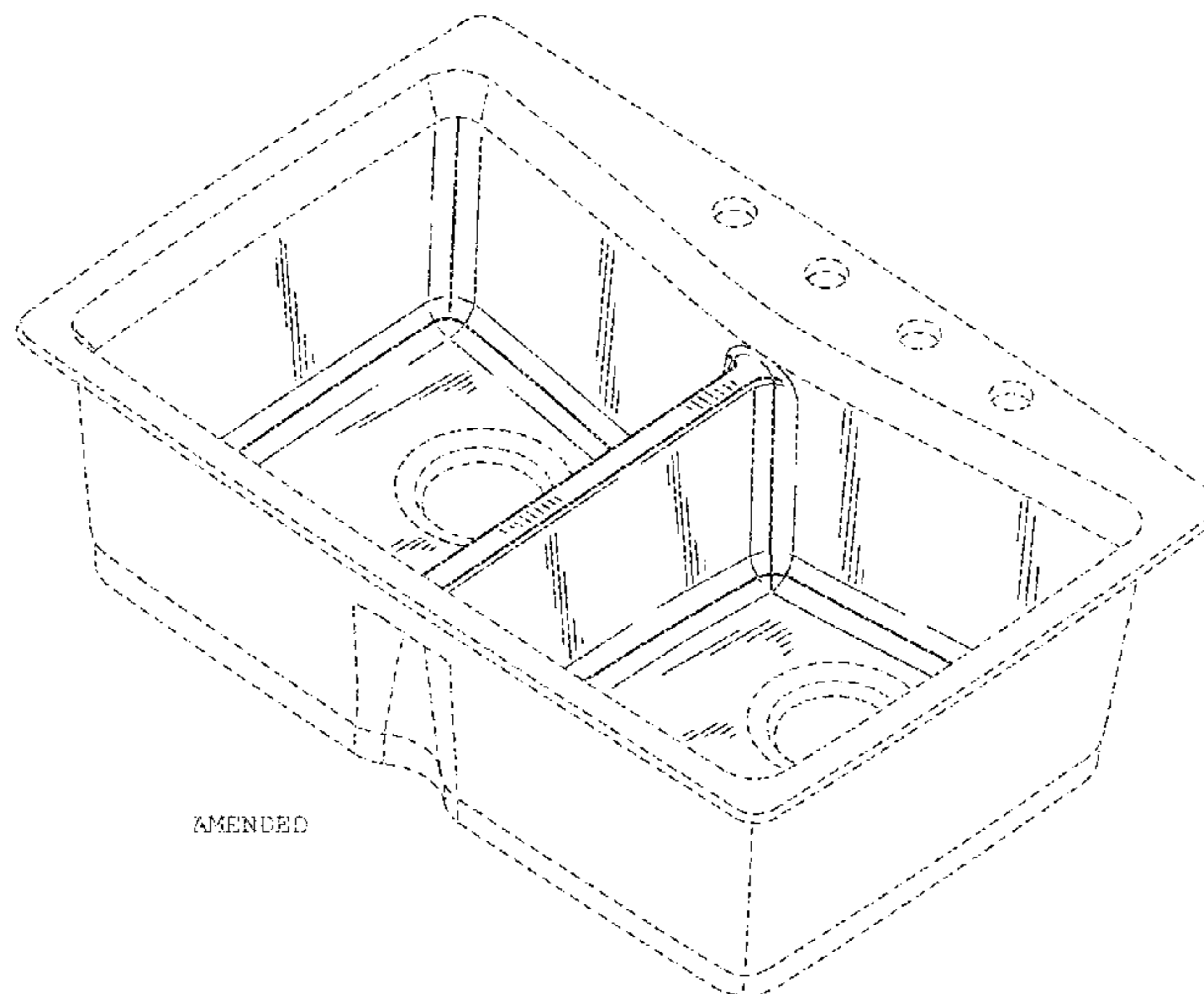
FIG. 6 is a bottom plan view thereof.

The broken line representations in the figures are for the  
purpose of illustration only, and form no part of the claimed  
design.

In a preferred embodiment, the nature of this product is as  
a plumbing fixture in the form of a sink which is primarily  
useful for washing various items.

**1 Claim, 4 Drawing Sheets**

**Matter enclosed in heavy brackets [ ] appears in the  
original patent but forms no part of this reissue; matter  
printed in italics indicates the additions made by reissue.**



# US RE46,298 E

Page 2

- (58) **Field of Classification Search**  
CPC ..... E03C 1/00; E03C 1/01; E03C 1/02;  
E03C 1/12; E03C 1/14  
See application file for complete search history.

(56) **References Cited**

U.S. PATENT DOCUMENTS

D314,612 S 2/1991 Sauter et al.  
D319,687 S 9/1991 Kohler, Jr. et al.  
D352,771 S \* 11/1994 Walsh ..... D23/290  
D353,880 S \* 12/1994 Hauser, II ..... D23/290  
D395,699 S 6/1998 Hundley  
D464,125 S \* 10/2002 Bayer et al. .... D23/290  
D464,126 S 10/2002 Bayer et al.  
D464,410 S 10/2002 Paredes et al.  
D464,411 S 10/2002 Bayer et al.  
D471,263 S 3/2003 Bayer et al.  
D486,566 S \* 2/2004 Ziemann ..... D23/290  
D494,258 S 8/2004 Arnold  
D518,561 S 4/2006 Gordon  
D526,056 S 8/2006 Arnold

D526,393 S 8/2006 Blomstrom  
D547,833 S 7/2007 Mahon  
D570,459 S 6/2008 Kitzmiller  
D570,460 S 6/2008 Kitzmiller  
D570,968 S 6/2008 Kitzmiller  
D570,969 S 6/2008 Kitzmiller  
D586,445 S 2/2009 Ziemann et al.  
D601,675 S 10/2009 Booth et al.  
D610,659 S \* 2/2010 Booth ..... D23/290  
D645,549 S 9/2011 Booth

OTHER PUBLICATIONS

Kohler Co. "Langlade Smart Divide Kitchen Sink". Model No. L-6626. Kohler Co. catalog.  
Kohler Co. "Poise Double Equal Undercouner Kitchen Sink". Model No. K-3159. Kohler Co. online catalog. Copyright 2009 Kohler Co.  
Kohler Co. "Entertainer Entertainment Sink". Model No. K-6558. Kohler Co. catalog.

\* cited by examiner

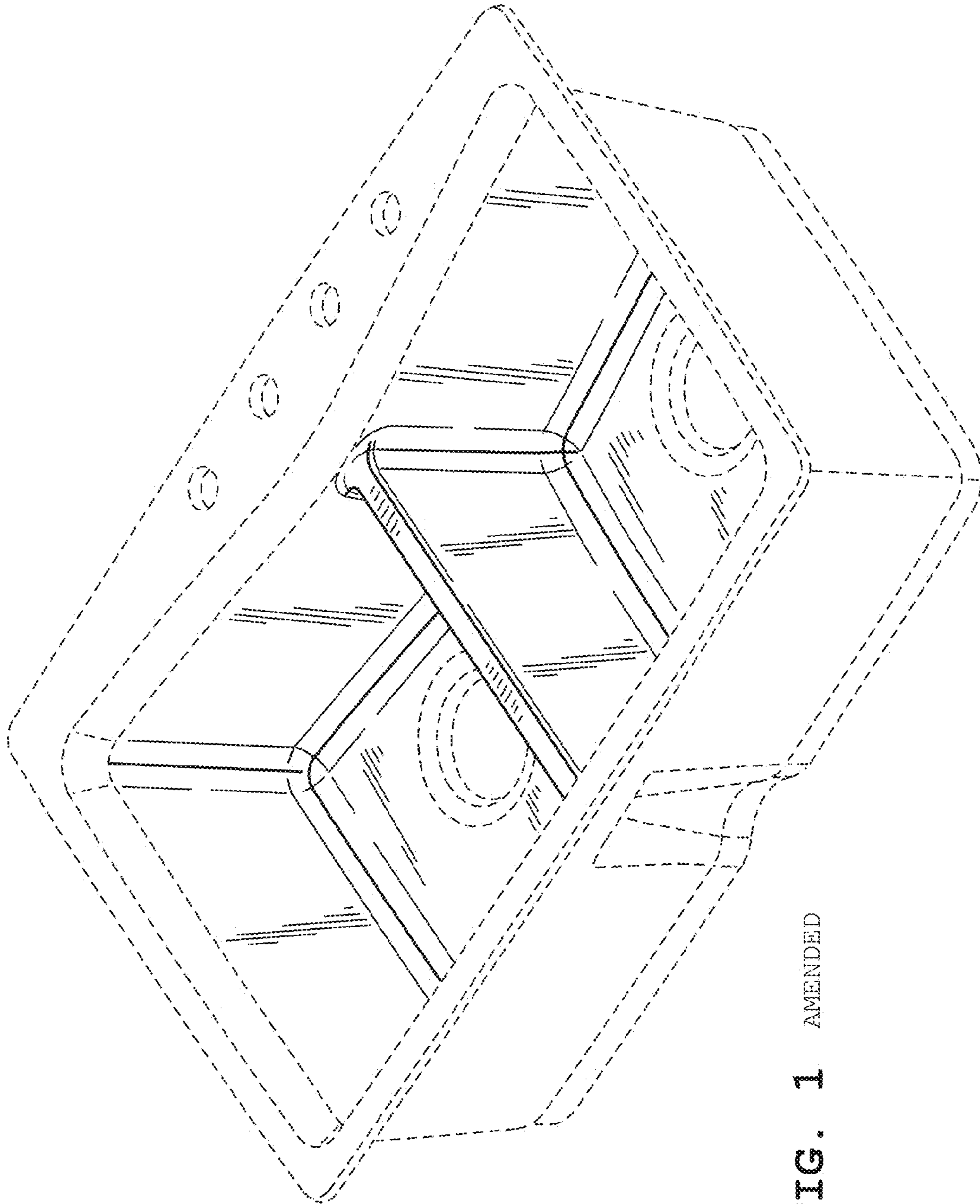


FIG. 1 AMENDED

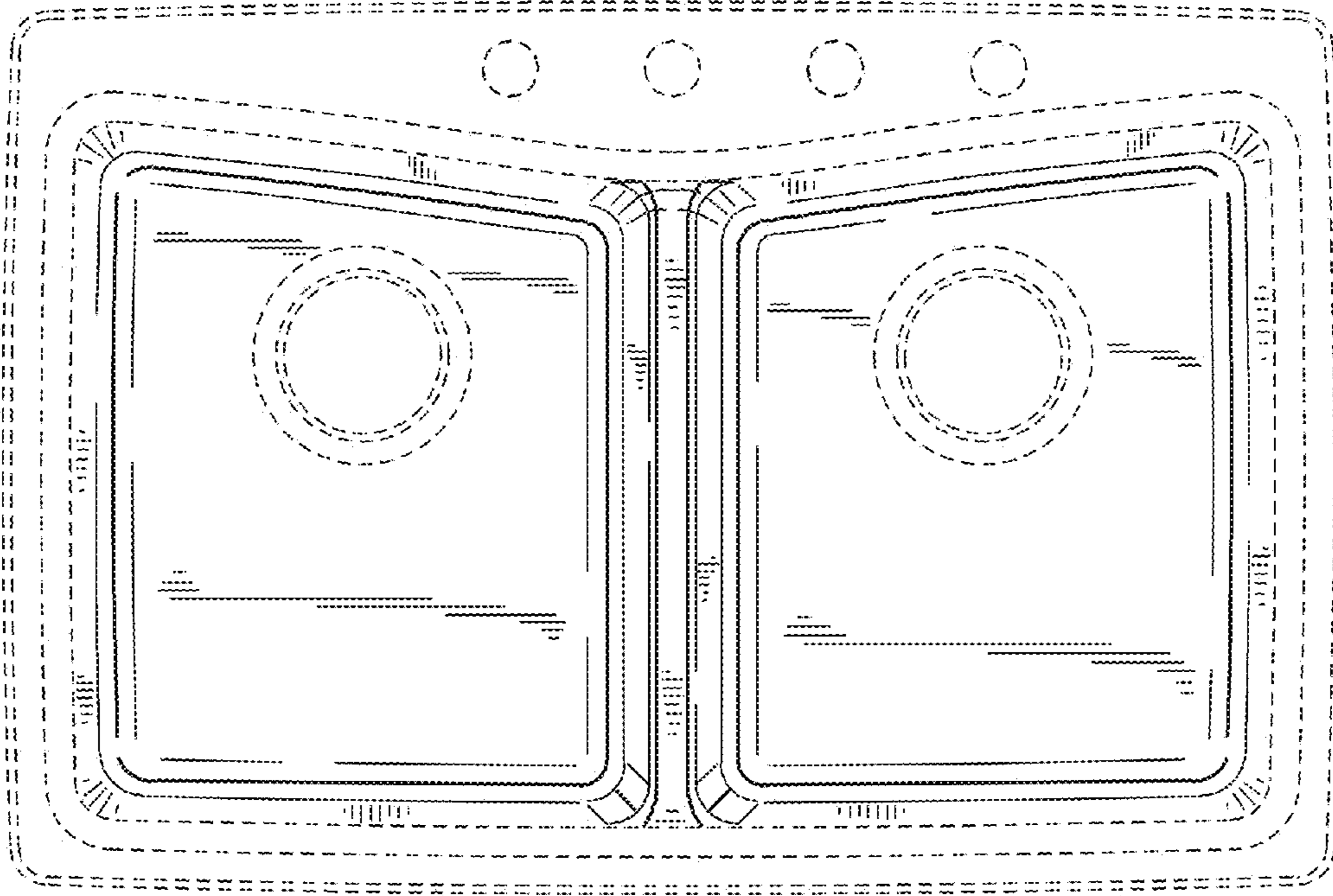


FIG. 2 AMENDED

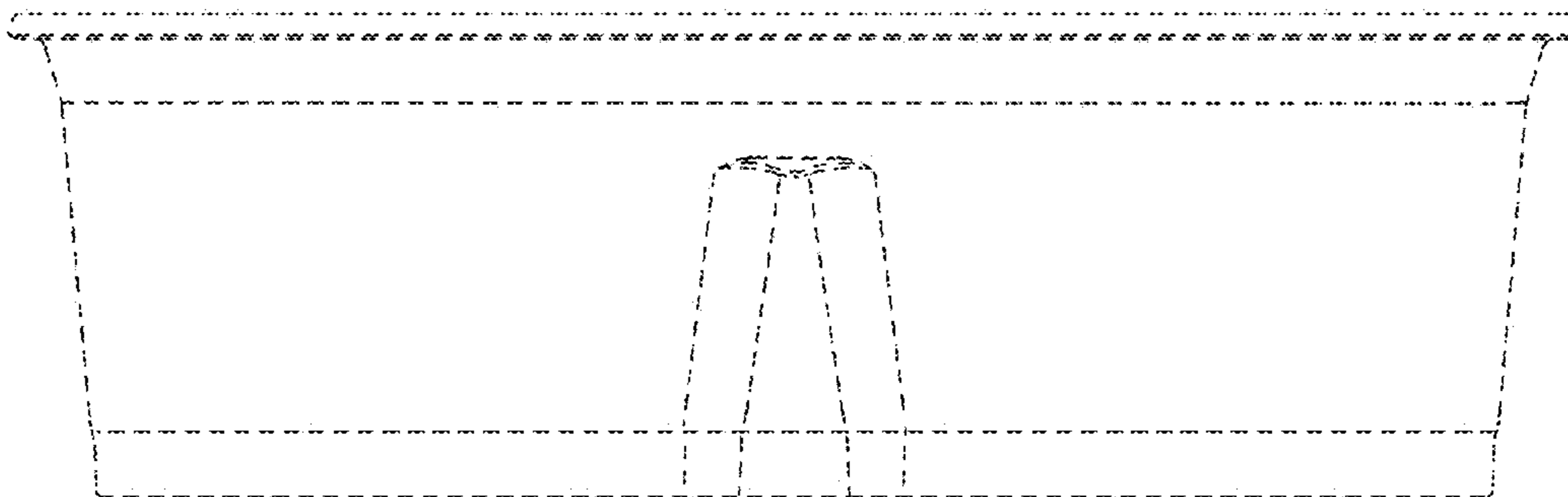


FIG. 3 AMENDED



FIG. 4 AMENDED

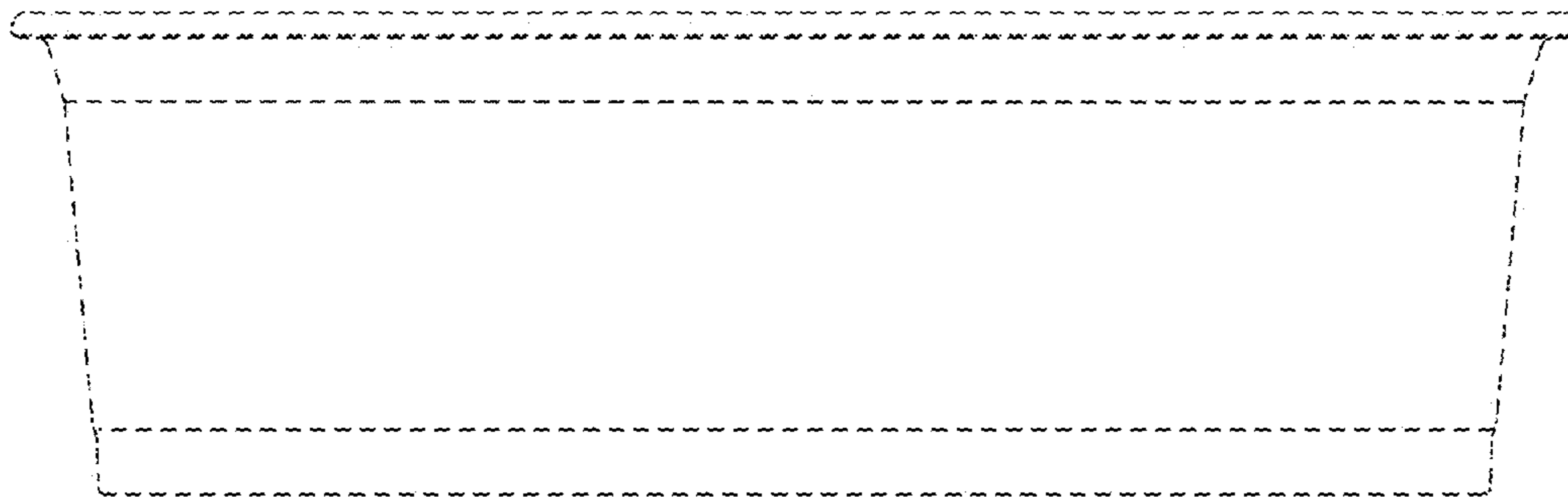


FIG. 5 AMENDED

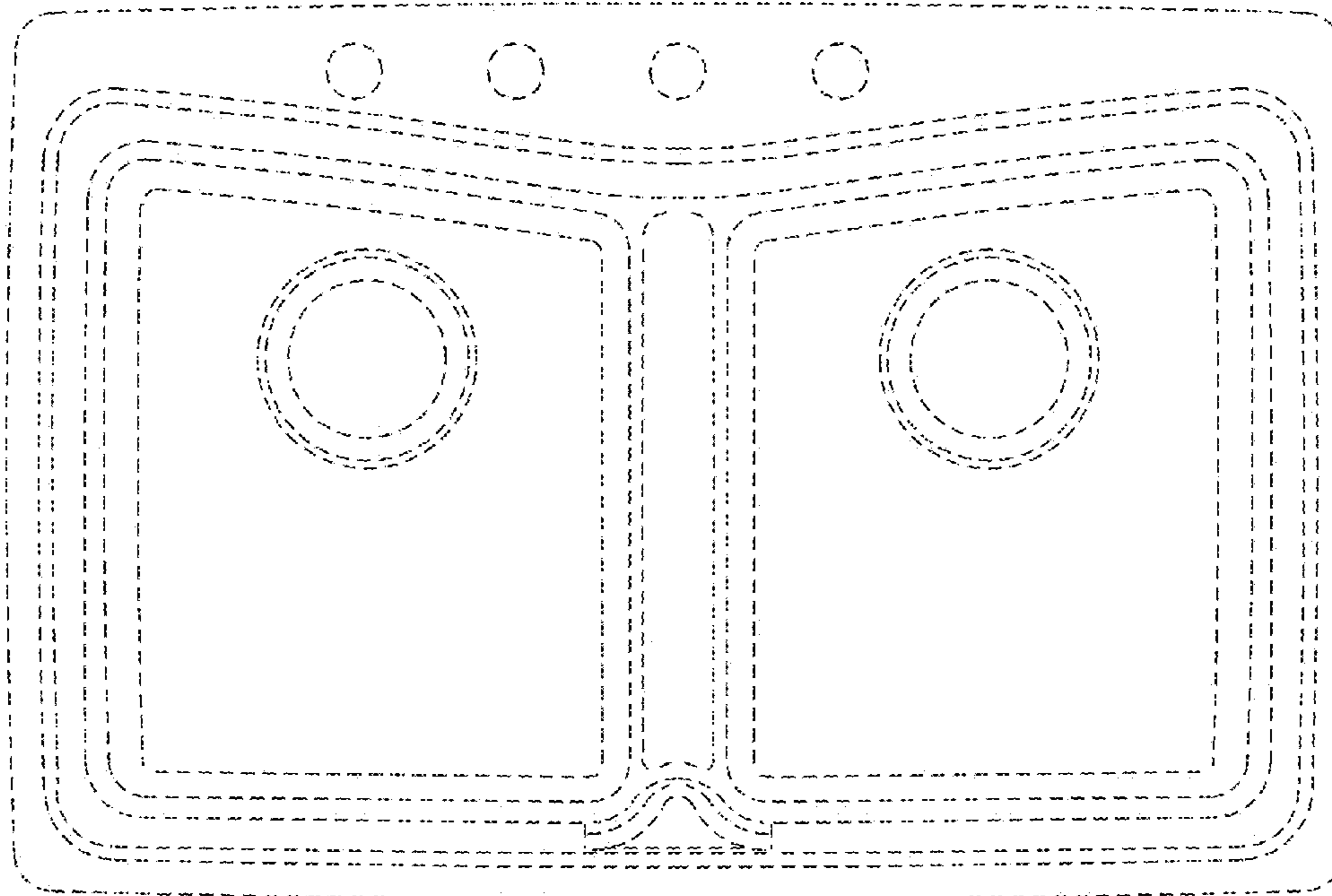


FIG. 6 AMENDED