

US00RE46281E

(19) **United States**
(12) **Reissued Patent**
Walter et al.

(10) **Patent Number: US RE46,281 E**
(45) **Date of Reissued Patent: Jan. 24, 2017**

- (54) **SET OF CART BASKETS**
- (71) Applicant: **AMSA, Inc.**, Boulder, CO (US)
- (72) Inventors: **Ivor Michel Walter**, Boulder, CO (US);
Jeroen Engel, Bromhof (ZA); **Wilson Zeng**, Foshan (CN)
- (73) Assignee: **AMSA, Inc.**, Boulder, CO (US)
- (21) Appl. No.: **29/543,729**
- (22) Filed: **Oct. 27, 2015**

Related U.S. Patent Documents

Reissue of:

- (64) Patent No.: **Des. 656,700**
Issued: **Mar. 27, 2012**
Appl. No.: **29/388,157**
Filed: **Mar. 24, 2011**

U.S. Applications:

- (62) Division of application No. 29/486,266, filed on Mar. 27, 2014, now Pat. No. Re. 45,961, which is an application for the reissue of Pat. No. Des. 656,700.
- (51) **LOC (10) Cl.** **12-02**
- (52) **U.S. Cl.**
USPC **D34/27**
- (58) **Field of Classification Search**
USPC **D34/12-27**
(Continued)

(56) **References Cited**

U.S. PATENT DOCUMENTS

- 3,039,564 A 6/1962 Shaukis
 - D247,953 S 5/1978 Rehrig
- (Continued)

OTHER PUBLICATIONS

Unarco PC-41 U Scan of website [http://unarco.com/PC41 U.pdf]
showing prior art cart manufactured by Unarco.

(Continued)

Primary Examiner — Phillip S Hyder
(74) *Attorney, Agent, or Firm* — Polson Intellectual Property Law, PC; Margaret Polson

(57) **CLAIM**

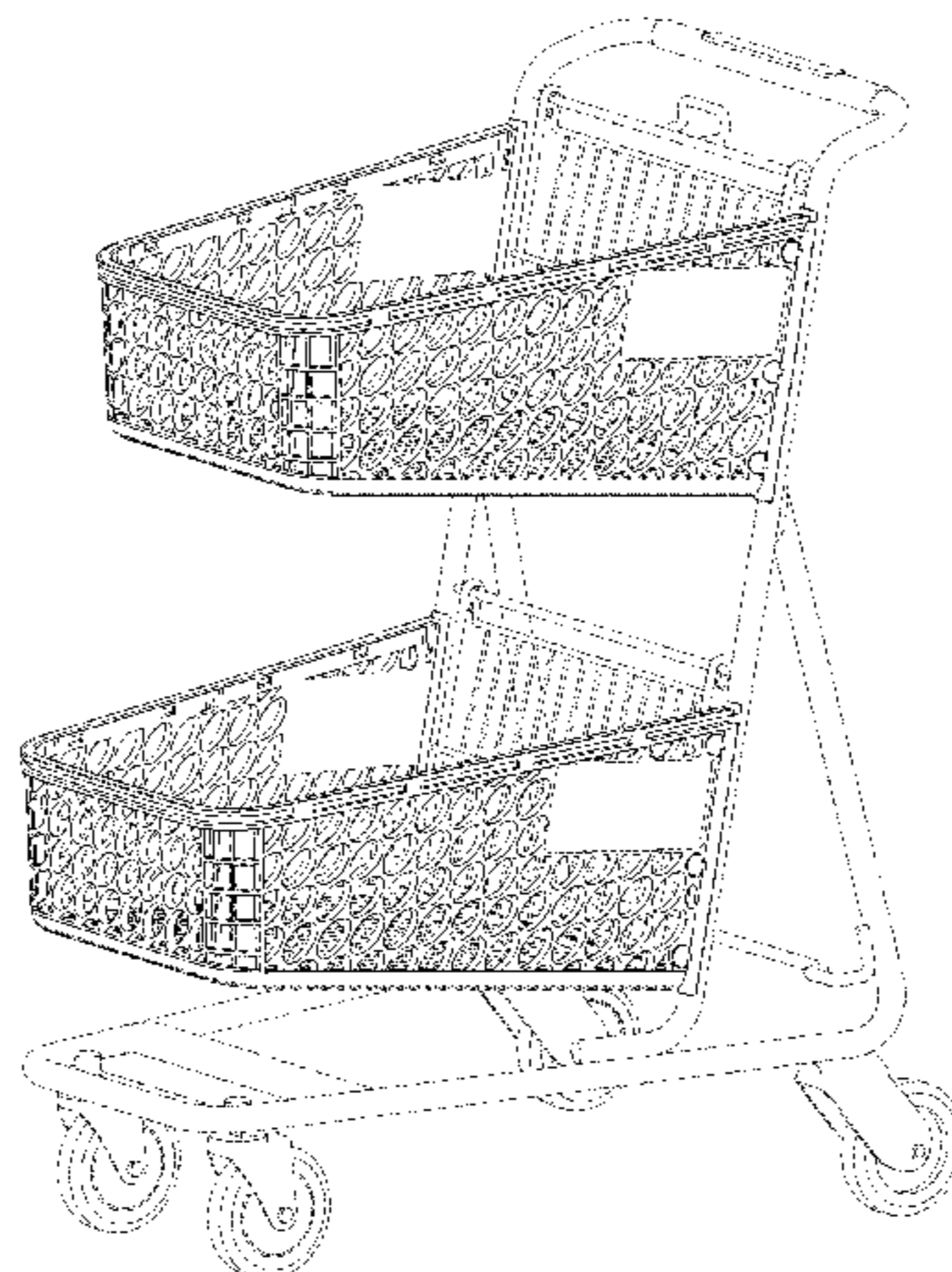
The ornamental design for a set of cart baskets, as shown and described.

DESCRIPTION

FIG. 1 is a front perspective view of the first embodiment for a set of cart baskets showing my new design;
 FIG. 2 is a side elevation view of the right and left sides, which are mirror images, of FIG. 1.
 FIG. 3 is a front side elevation view of FIG. 1.
 FIG. 4 is back side elevation view of FIG. 1.
 FIG. 5 is a top plan view of FIG. 1.
 FIG. 6 is a bottom plan view of FIG. 1.
 FIG. 7 is a front perspective view of the second embodiment for a set of cart baskets showing my new design;
 FIG. 8 is a side elevation view of the right and left sides, which are mirror images, of FIG. 7.
 FIG. 9 is a front side elevation view of FIG. 7.
 FIG. 10 is back side elevation view of FIG. 7.
 FIG. 11 is a top plan view of FIG. 7.
 FIG. 12 is a bottom plan view of FIG. 7.
 FIG. 13 is a front perspective view of the third embodiment for a set of cart baskets showing my new design;
 FIG. 14 is a side elevation view of the right and left sides, which are mirror images, of FIG. 13.
 FIG. 15 is a front side elevation view of FIG. 13.
 FIG. 16 is back side elevation view of FIG. 13.
 FIG. 17 is a top plan view of FIG. 13; and,
 FIG. 18 is a bottom plan view of FIG. 13.
 The broken line showing of the frame, logo panel, *bottom of the baskets*, and back gates is included for the purpose of illustrating elements of the cart and forms no part of the claimed design.

1 Claim, 18 Drawing Sheets

Matter enclosed in heavy brackets [] appears in the original patent but forms no part of this reissue; matter printed in italics indicates the additions made by reissue.



(AMENDED)

(58) **Field of Classification Search**

CPC .. B62B 2501/065; B62B 3/1444; B62B 3/144;
B62B 3/1468; B62B 3/1496

See application file for complete search history.

(56) **References Cited**

U.S. PATENT DOCUMENTS

4,632,411	A	12/1986	Badger	
4,650,199	A	3/1987	Rehrig	
D294,419	S	2/1988	Rehrig	
D296,259	S	6/1988	Rehrig	
D317,219	S	5/1991	Rehrig	
D346,473	S	4/1994	Hubble	
D400,679	S	11/1998	Kern et al.	
5,865,448	A	2/1999	Kern et al.	
D412,046	S	7/1999	Rehrig et al.	
5,947,313	A	9/1999	Kern et al.	
D426,365	S	6/2000	Rehrig et al.	
6,126,181	A	10/2000	Ondrasik	
6,533,297	B2	3/2003	Saccani	
6,644,674	B2	11/2003	Simard	
6,676,139	B1	1/2004	Saccani	
6,932,363	B2	8/2005	D'Angelo	
6,981,708	B1	1/2006	Tucker et al.	
D528,732	S	9/2006	Hubbard et al.	
D538,501	S	3/2007	Walter	
D550,423	S *	9/2007	Splain et al.	D34/12
D556,413	S *	11/2007	Splain et al.	D34/12
D564,172	S *	3/2008	Steinhobel	D34/12
D580,619	S	11/2008	Walter	
D583,523	S	12/2008	Deal et al.	
D607,173	S	12/2009	Selvig et al.	
D628,759	S	12/2010	Walter	
D633,269	S	2/2011	Walter	
D638,602	S	5/2011	Walter	
D644,809	S	9/2011	Walter	
D645,222	S	9/2011	Walter	
D651,655	S	1/2012	Walter	
D656,288	S	3/2012	Walter	
D656,700	S	3/2012	Walter	
2001/0022436	A1	9/2001	Simard	
2003/0151219	A1	8/2003	Simard	
2010/0276899	A1 *	11/2010	Burdwood	B62B 3/1404 280/33.991

OTHER PUBLICATIONS

Wanzl Tango Scan of website [http://wanzl.com/OOO/En/Home/Products/Self-Service_systems/Shopping_Trolleys/Shopping_Trolley_Series/Tango.html] showing prior art cart manufactured by Wanzl.

First Amended Complaint and Jury Demand filed by *AMSA, Inc. dba Versacart, Inc. v. The Peggs Company, Inc.*, US District Court, District of Colorado, filed Apr. 18, 2014, for infringement of parent patent D656,700 and others. 46 pages.

Answer, Affirmative Defenses and Counterclaims to First Amended Complaint and Jury Demand filed by *AMSA, Inc. dba Versacart, Inc. v. The Peggs Company, Inc.*, US District Court, District of Colorado, filed May 9, 2014. 18 pages.

Plaintiff's Answer to Defendant's Answer, Affirmative Defenses and Counterclaims to First Amended Complaint and Jury Demand filed by *AMSA, Inc. dba Versacart, Inc. v. The Peggs Company, Inc.*, US District Court, District of Colorado, filed May 21, 2014. 9 pages.

Applicant *AMSA, Inc. DBA VersaCart Systems Brochure for Orgill Spring Dealer Market 2015*. 6 pages.

Applicant *AMSA, Inc. DBA VersaCart Systems Brochure for Orgill Fall Dealer Market 2015*. 6 pages.

Applicant *AMSA, Inc. DBA VersaCart Systems Brochure for Orgill Fall Market 2012*. 4 pages.

Applicant *AMSA, Inc. DBA VersaCart Systems Brochure for Orgill Spring Dealer Market 2014*. 6 pages.

Applicant *AMSA, Inc. DBA VersaCart Systems Brochure for Orgill Fall Dealer Market 2014*. 6 pages.

Applicant *AMSA, Inc. DBA VersaCart Systems Retail & Distribution Catalog 2008*. 50 pages.

Applicant *AMSA, Inc. DBA VersaCart Systems Brochure for ACE Spring Convention 2013*. 4 pages.

Applicant *AMSA, Inc. DBA VersaCart Systems Brochure for ACE Spring Convention 2014*. 4 pages.

Applicant *AMSA, Inc. DBA VersaCart Systems Brochure for ACE Spring Convention 2015*. 4 pages.

Applicant *AMSA, Inc. DBA VersaCart Systems Brochure for ACE Spring Convention 2016*. 4 pages.

Applicant *AMSA, Inc. DBA VersaCart Systems Brochure for ACE Spring Market 2012*. 2 pages.

Peggs KNM075GT Scan of website [http://www.thepeggscompany.com/shopping_carts/large_view/2_tier.html] showing prior art cart manufactured by Peggs.

Plasti-Cart Max 200 Scan of website [<http://www.plasti-cart.com/upload/assets/AllPlasticMax200.pdf>] showing prior art cart manufactured by Plasti-Cart.

Supercart neXus Scan of website [<http://supercart.com/data/products/627854469nexus.pdf>] showing prior art cart manufactured by Supercart.

Supercart XL 200 Scan of website [[http://supercart.com/data/products/1388572286xlcarrie\(xl200\).pdf](http://supercart.com/data/products/1388572286xlcarrie(xl200).pdf)] showing prior art cart manufactured by Supercart.

Technibilt 5141-D Scan of website [<http://www.technibilt.com/carts/detail.php?id=36>] showing prior art cart manufactured by Technibilt.

Technibilt 5341 Scan of website [<http://www.technibilt.com/carts/detail.php?id=30>] showing prior art cart manufactured by Technibilt.

Technibilt 5640 Scan of website [<http://www.technibilt.com/carts/detail.php?id=28>] showing prior art cart manufactured by Technibilt.

U.S. Appl. No. 29/334,767, filed Apr. 1, 2009; Inventor: Ivor Michel Walter.

U.S. Appl. No. 29/380,209, filed Dec. 1, 2010; Inventor: Ivor Michel Walter.

U.S. Appl. No. 29/380,622, filed Dec. 8, 2010; Inventor: Ivor Michel Walter.

U.S. Appl. No. 29/388,081, filed Mar. 23, 2011; Inventor: Ivor Michel Walter.

* cited by examiner

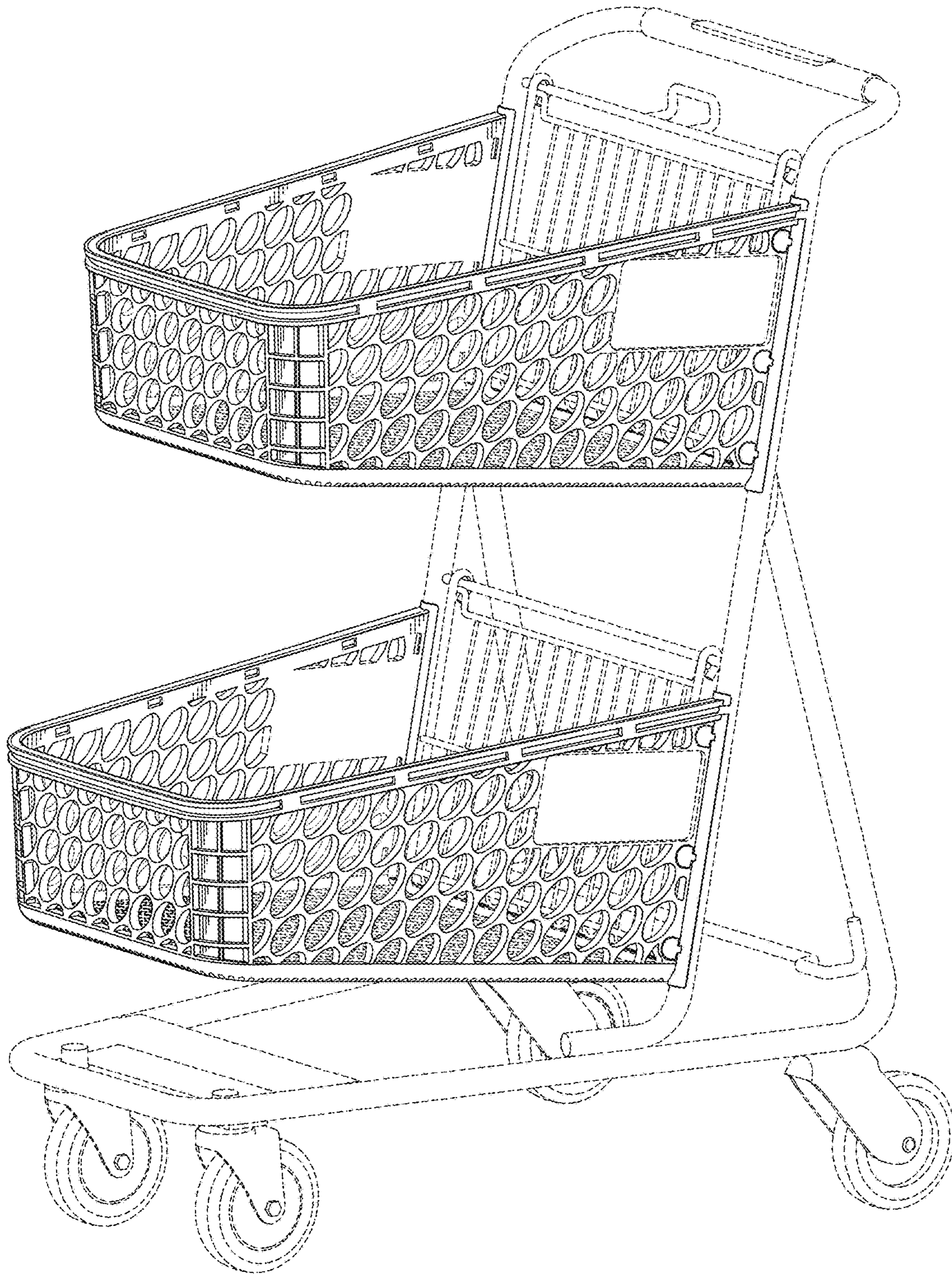


FIG.1 (AMENDED)

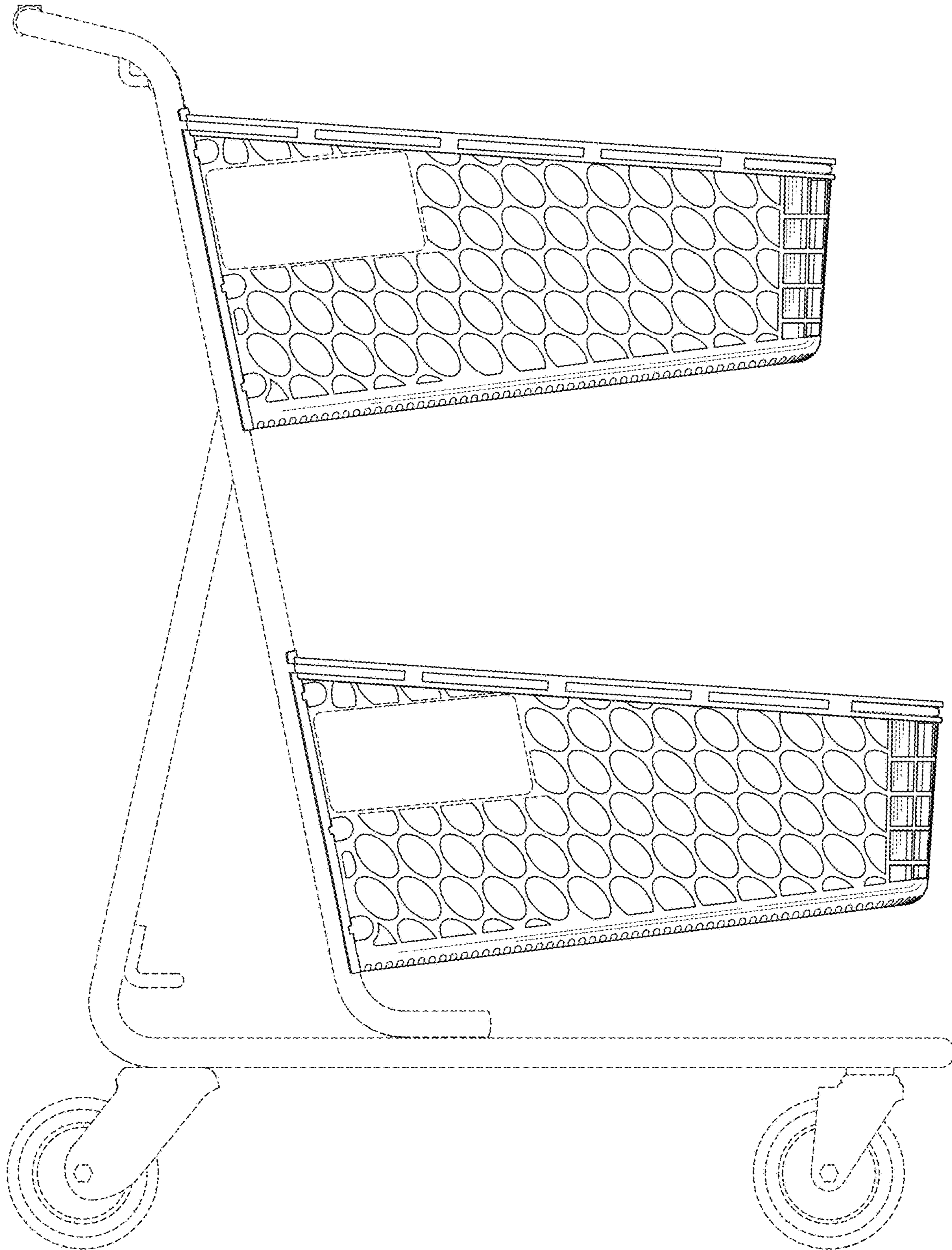


FIG.2 (AMENDED)

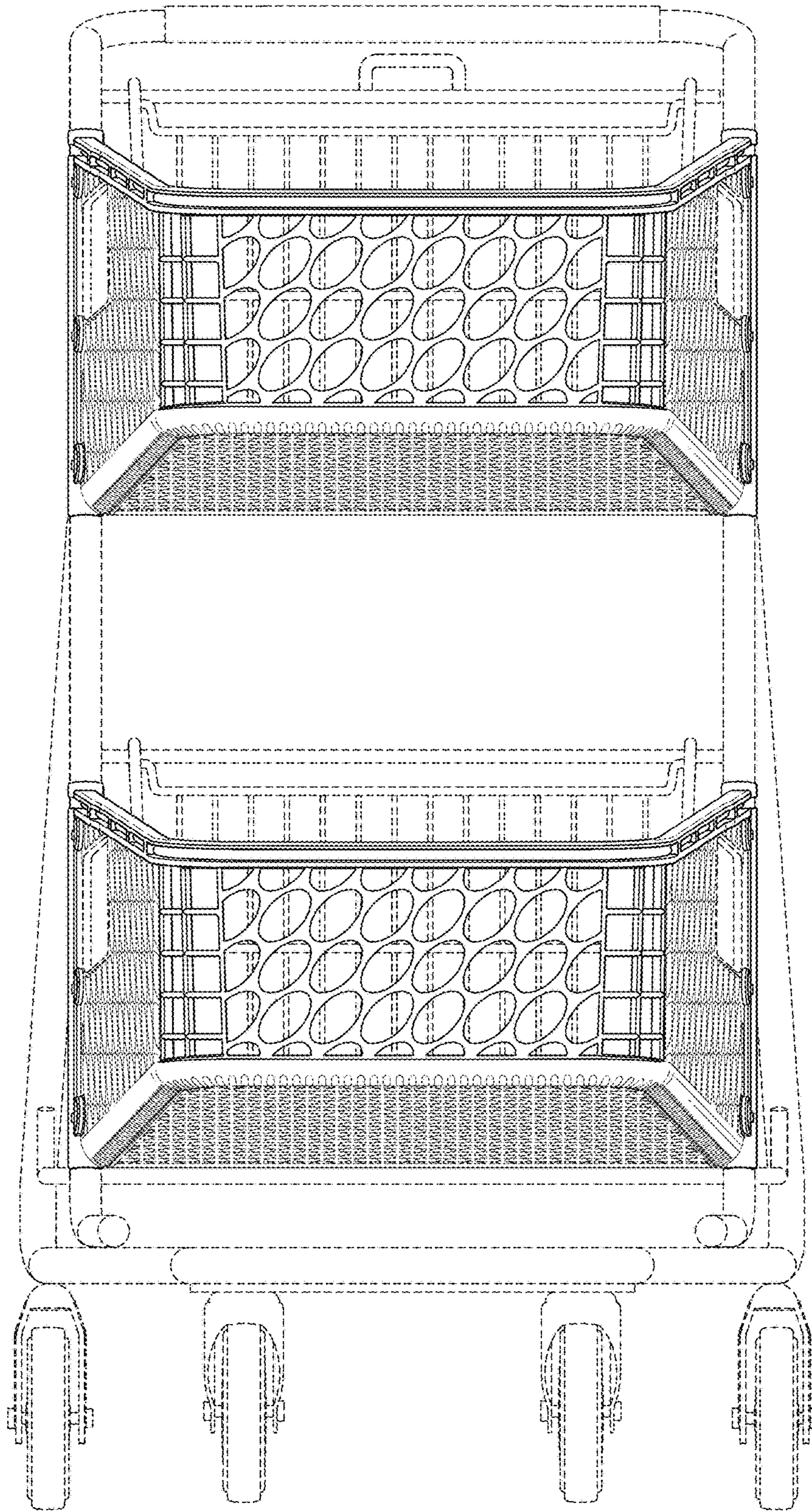


FIG.3 (AMENDED)

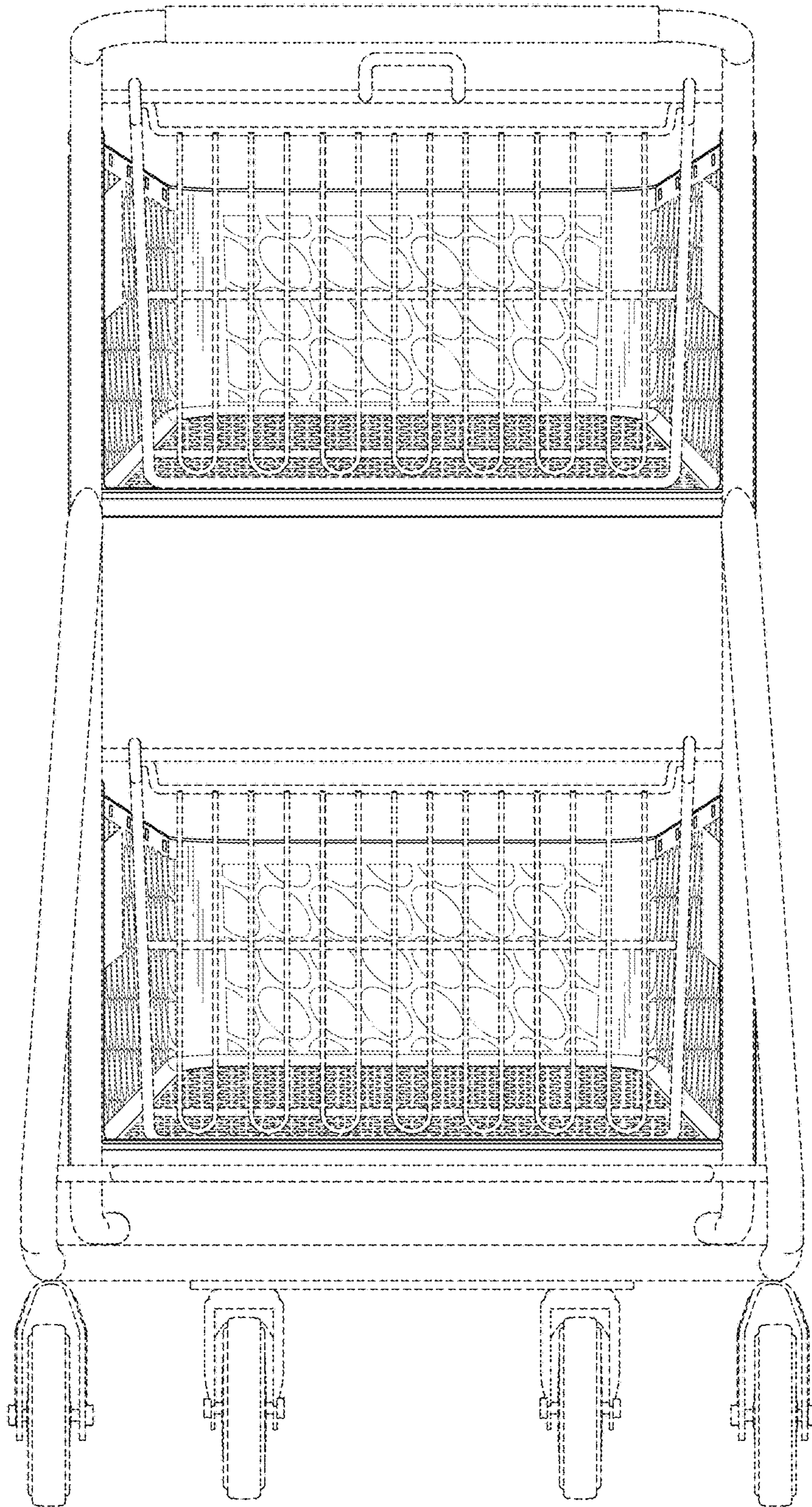


FIG.4 (AMENDED)

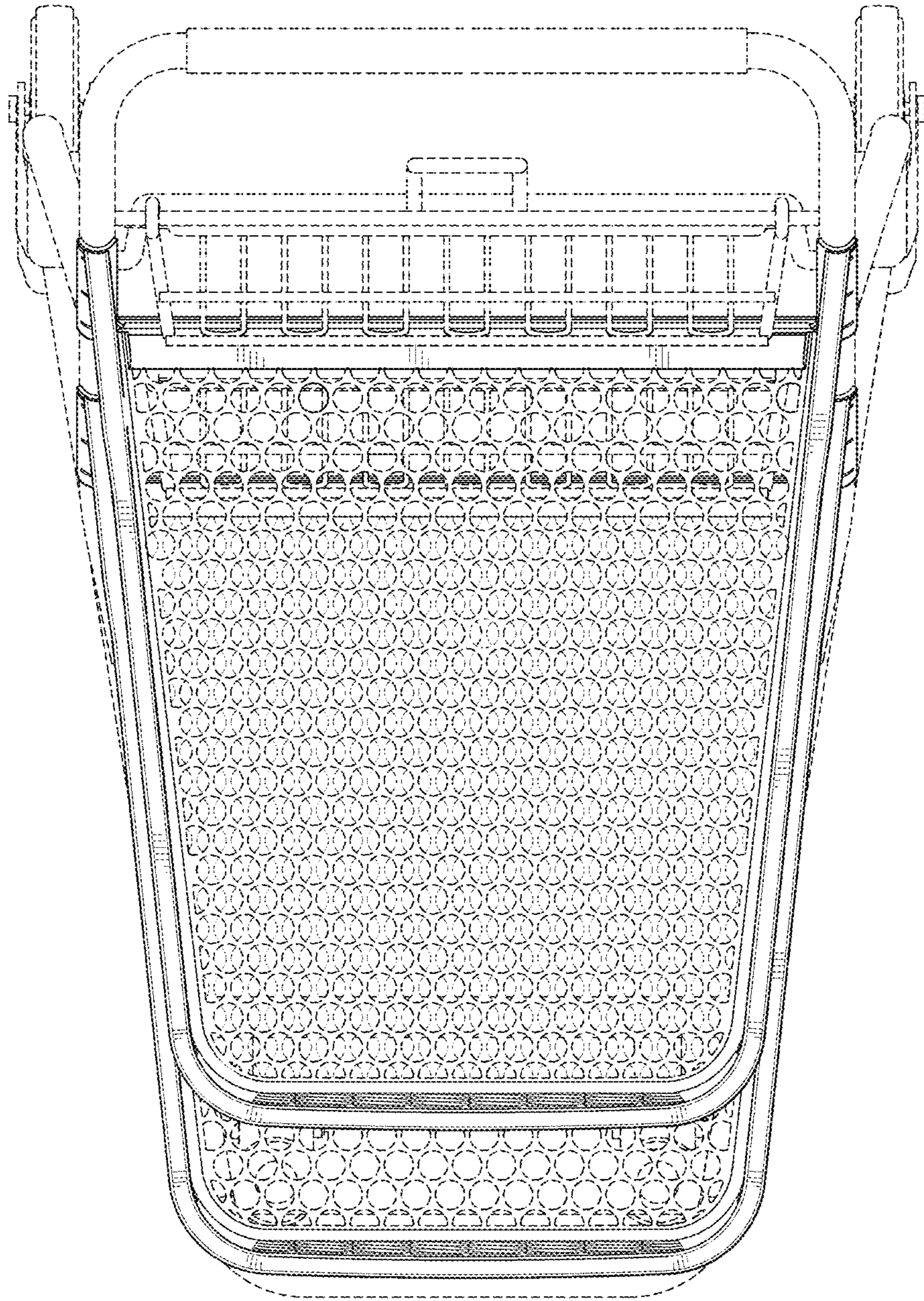


FIG.5 (AMENDED)

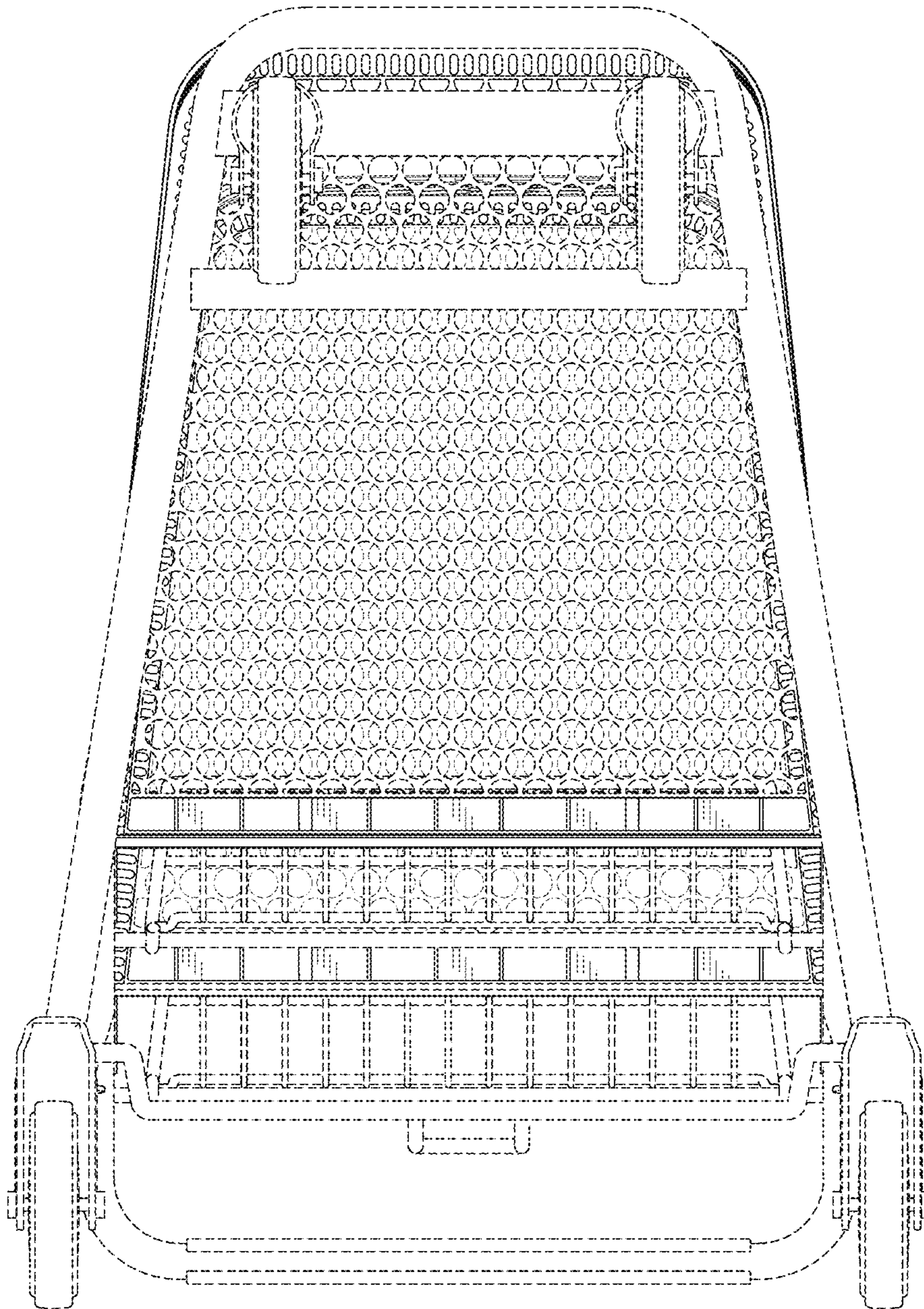


FIG.6 (AMENDED)

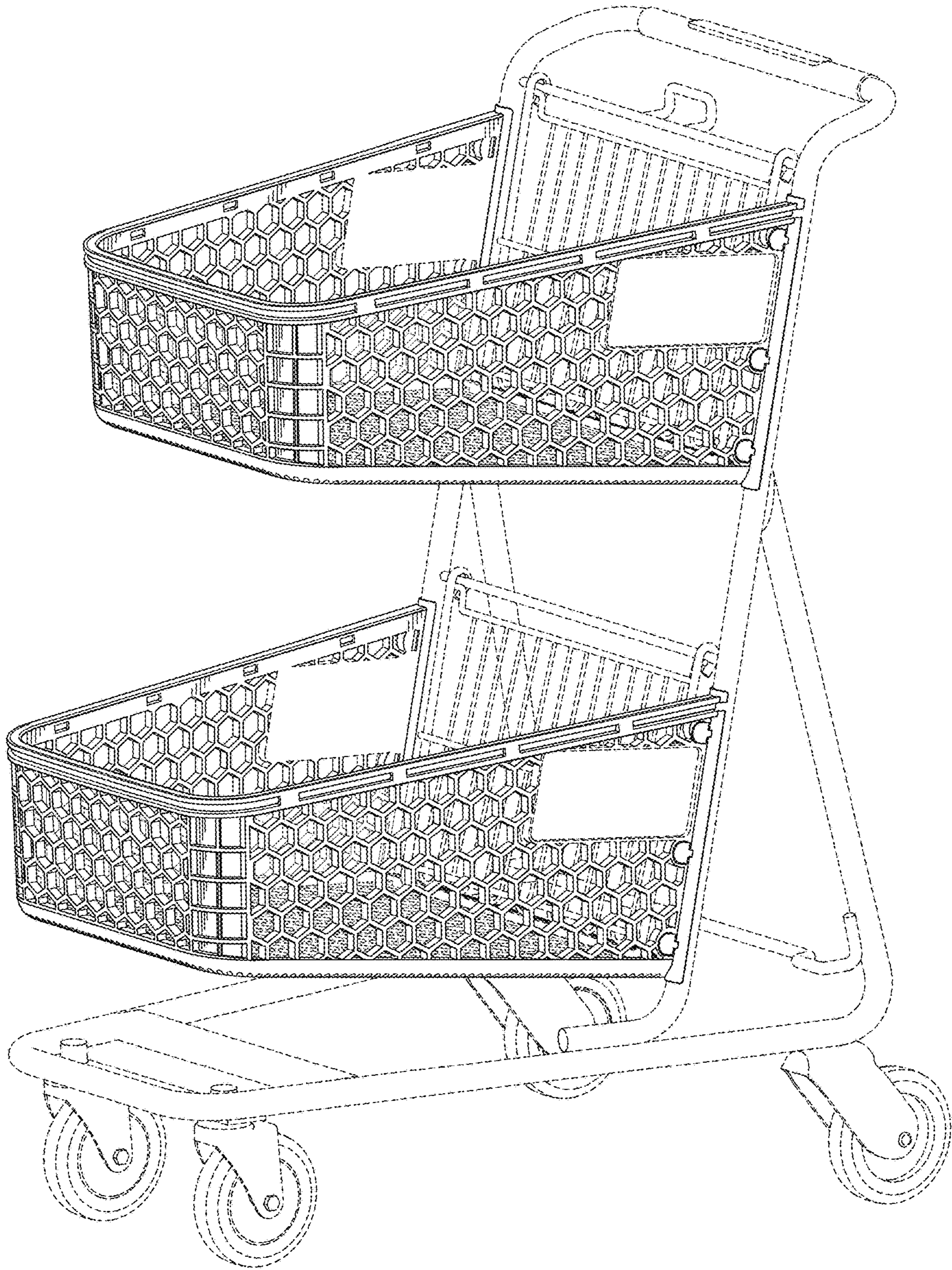


FIG. 7 (AMENDED)

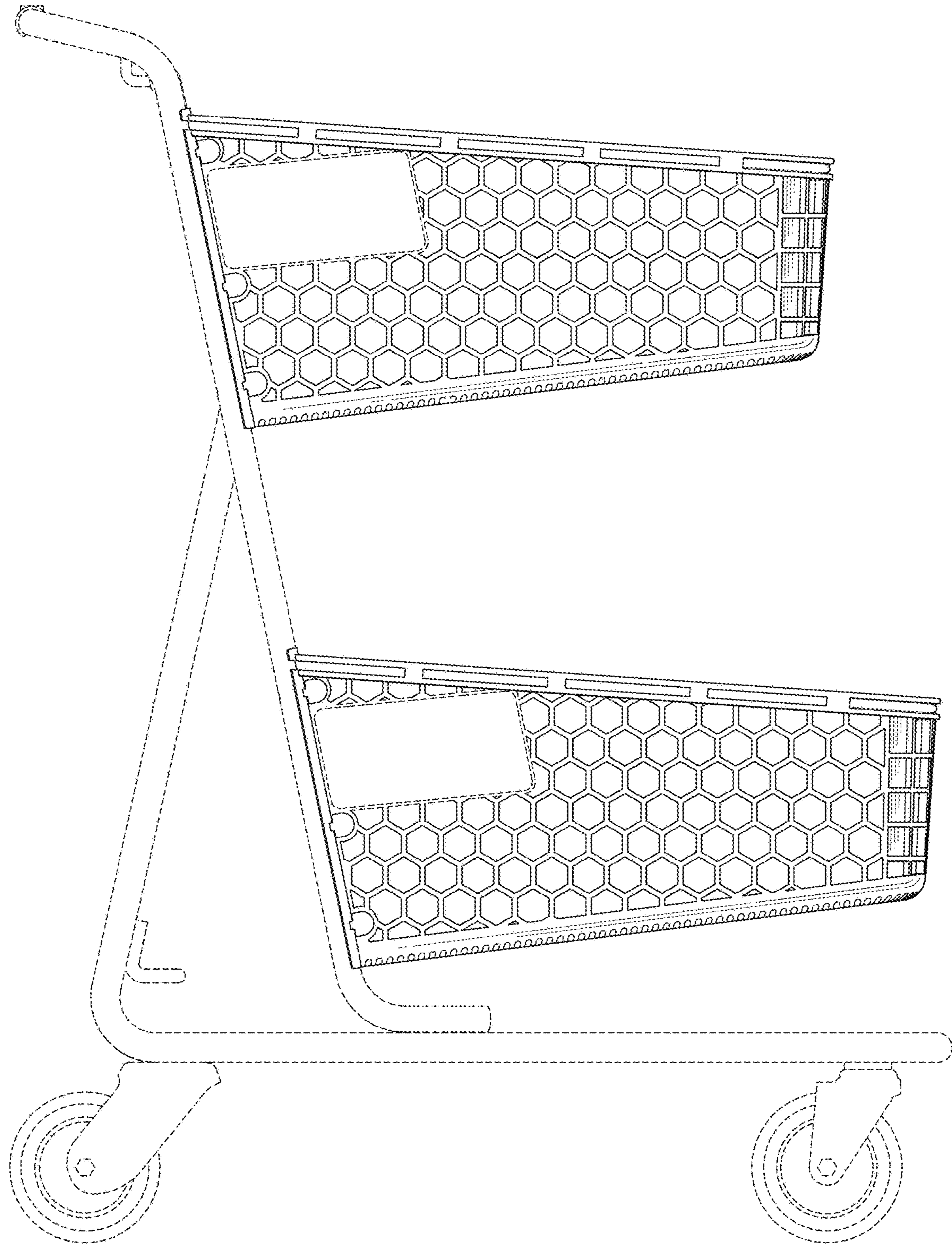


FIG.8 (AMENDED)

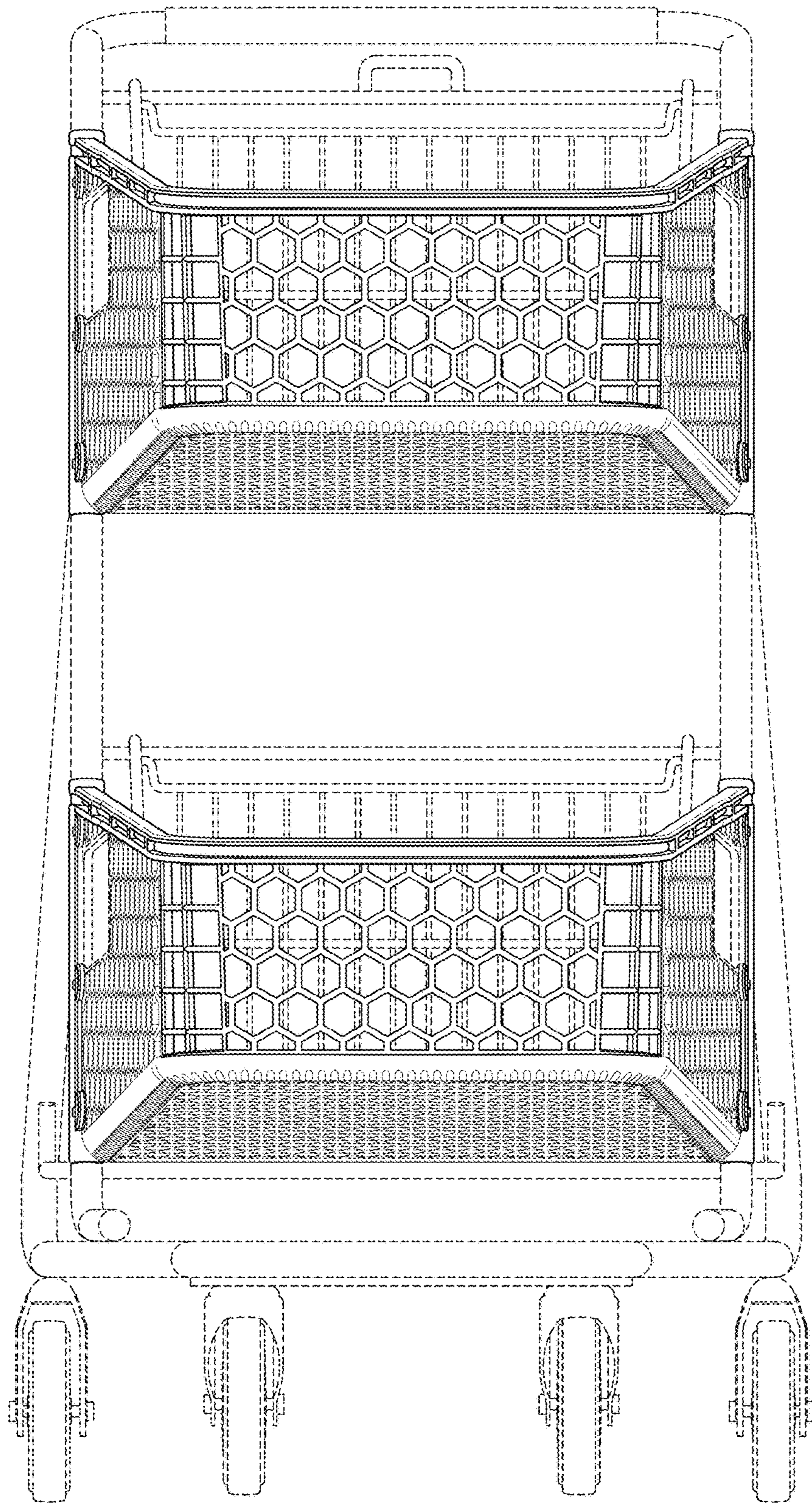


FIG.9 (AMENDED)

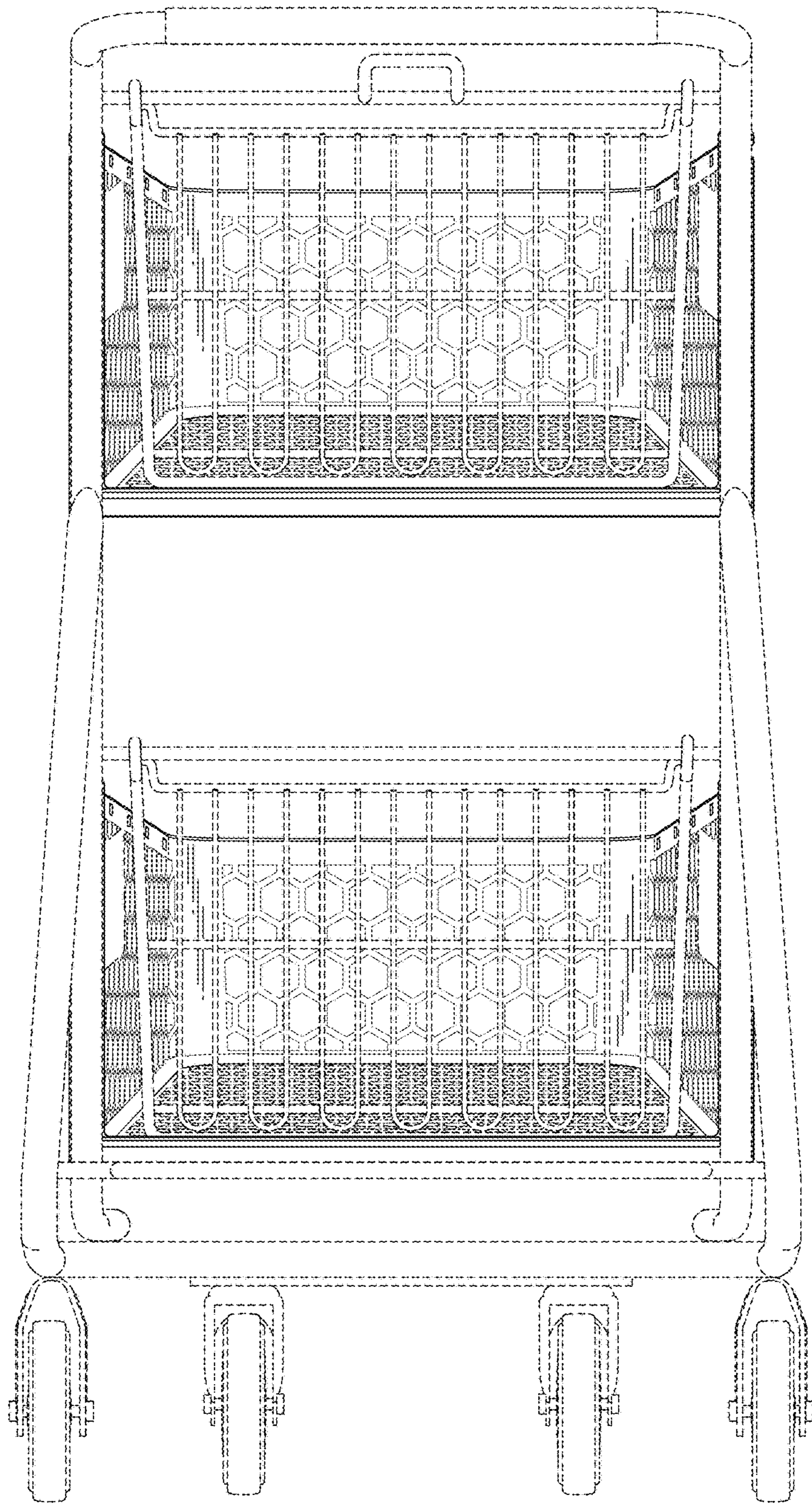


FIG.10 (AMENDED)

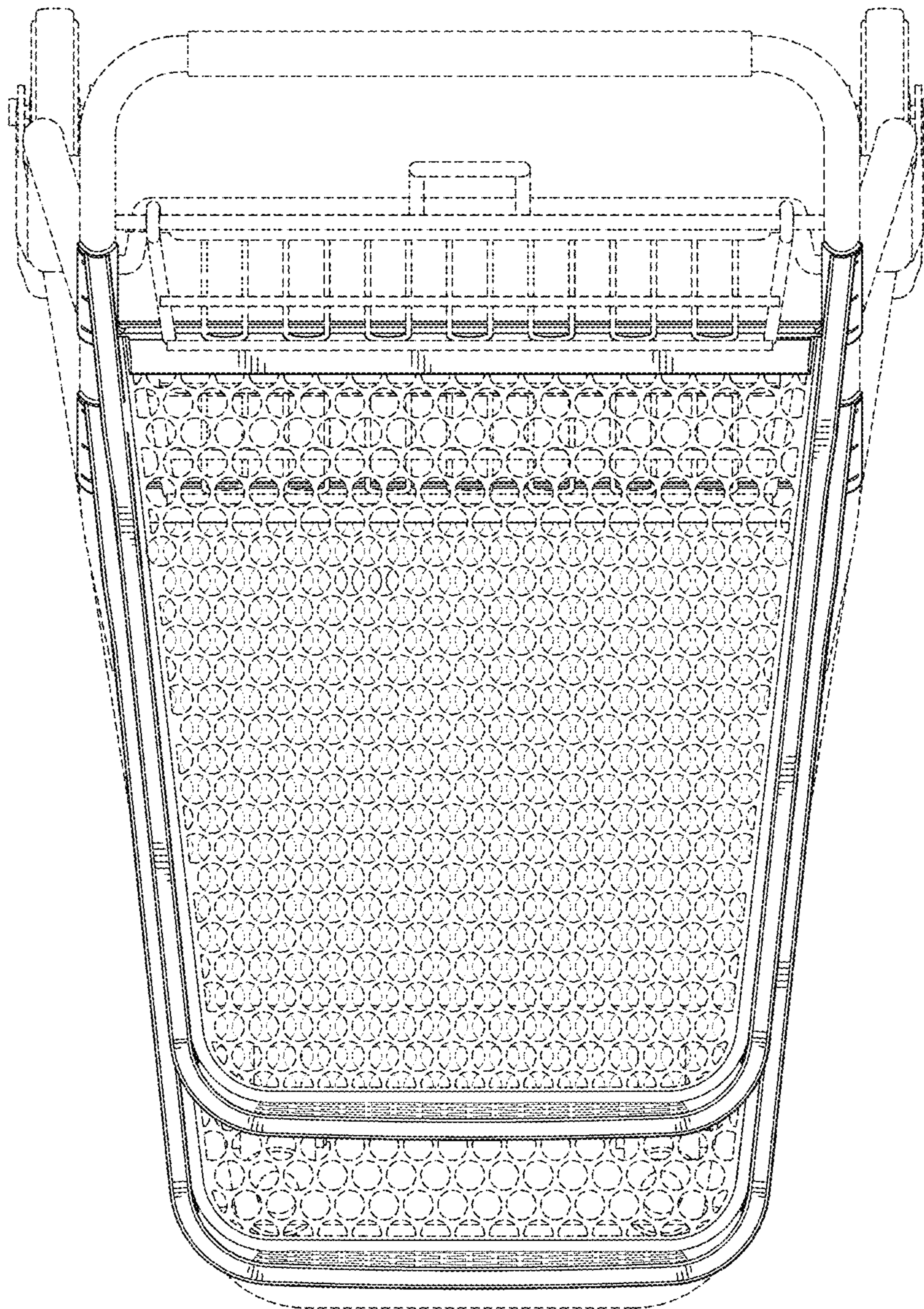


FIG.11 (AMENDED)

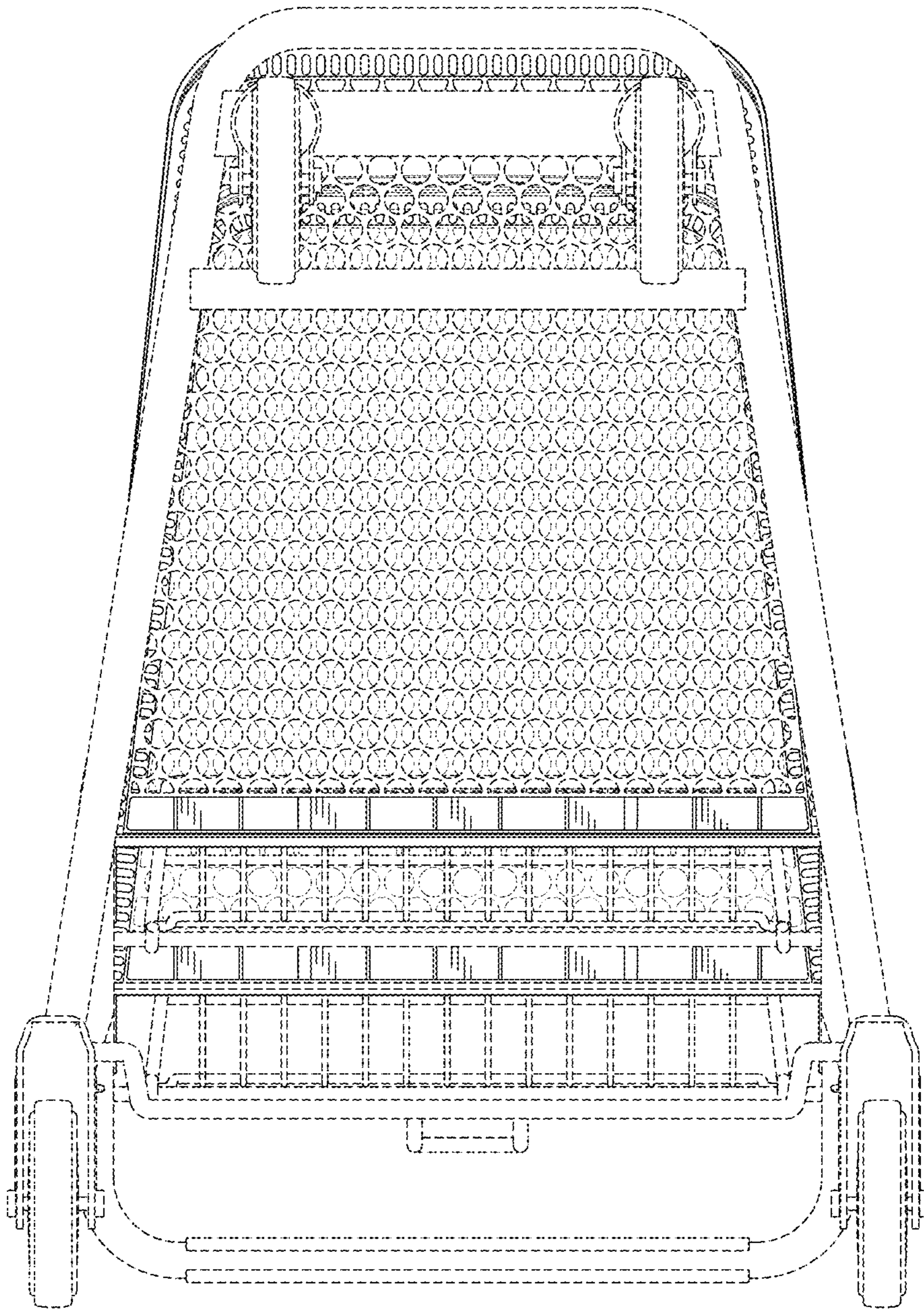


FIG.12 (AMENDED)

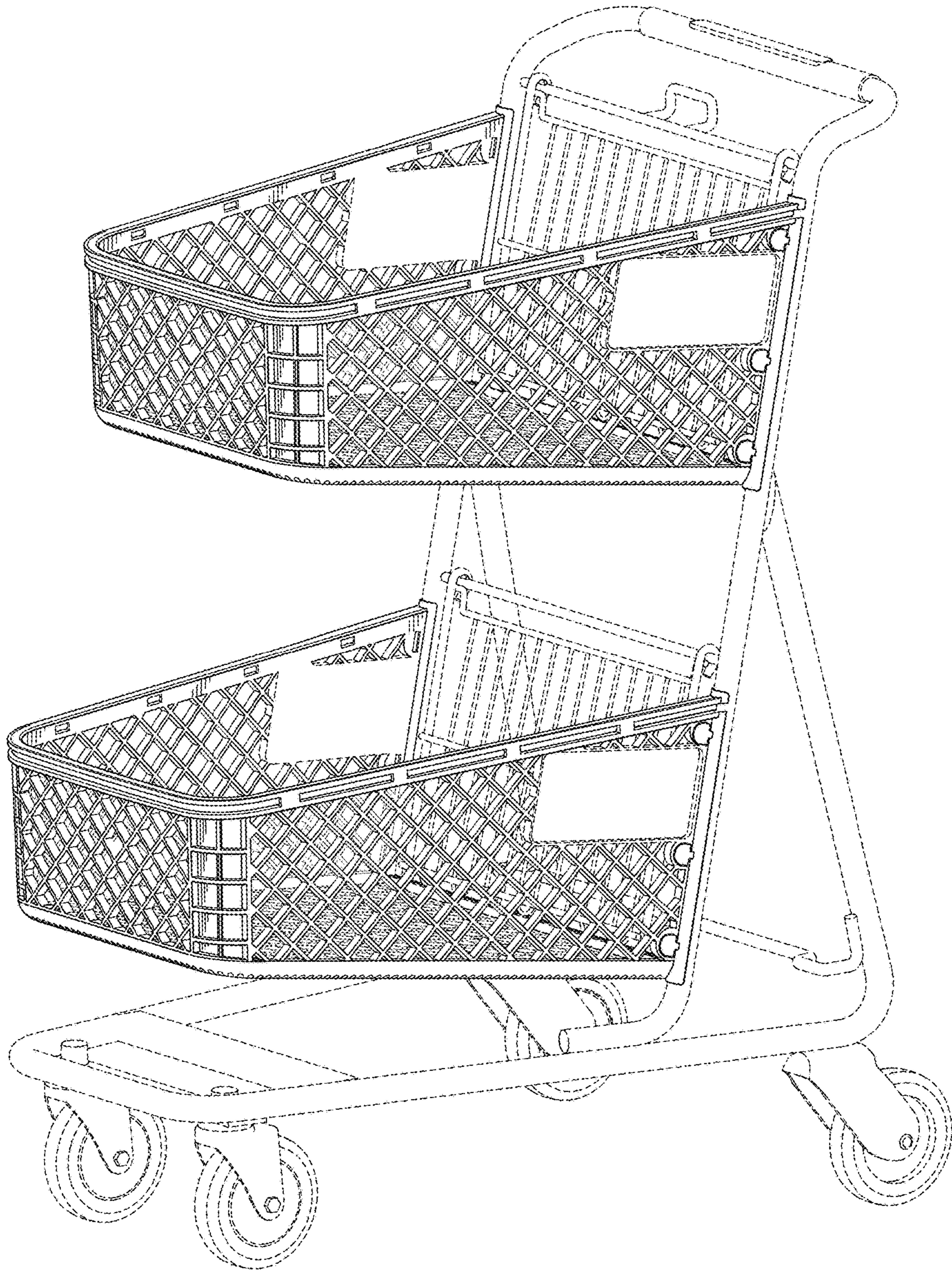


FIG.13 (AMENDED)

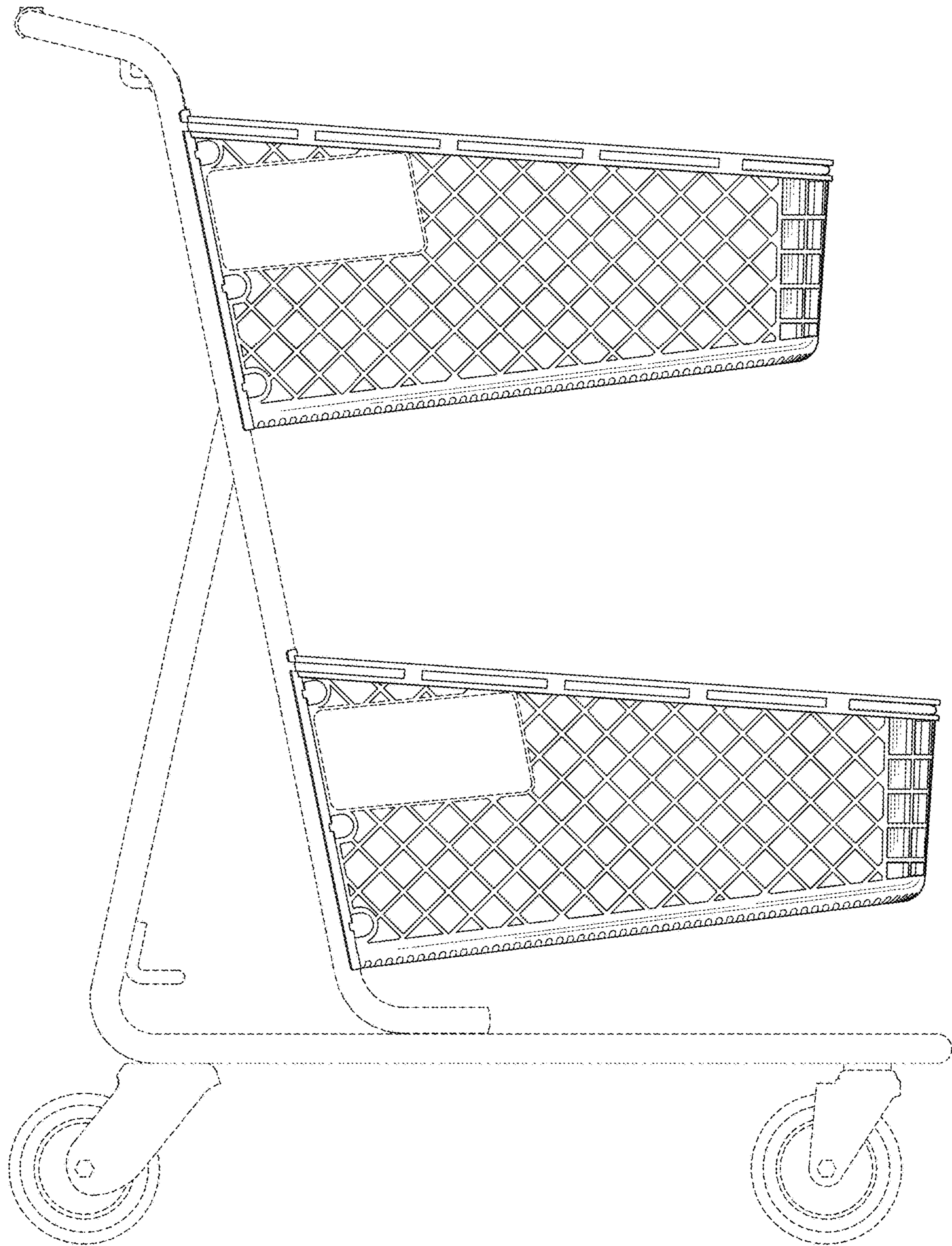


FIG.14 (AMENDED)

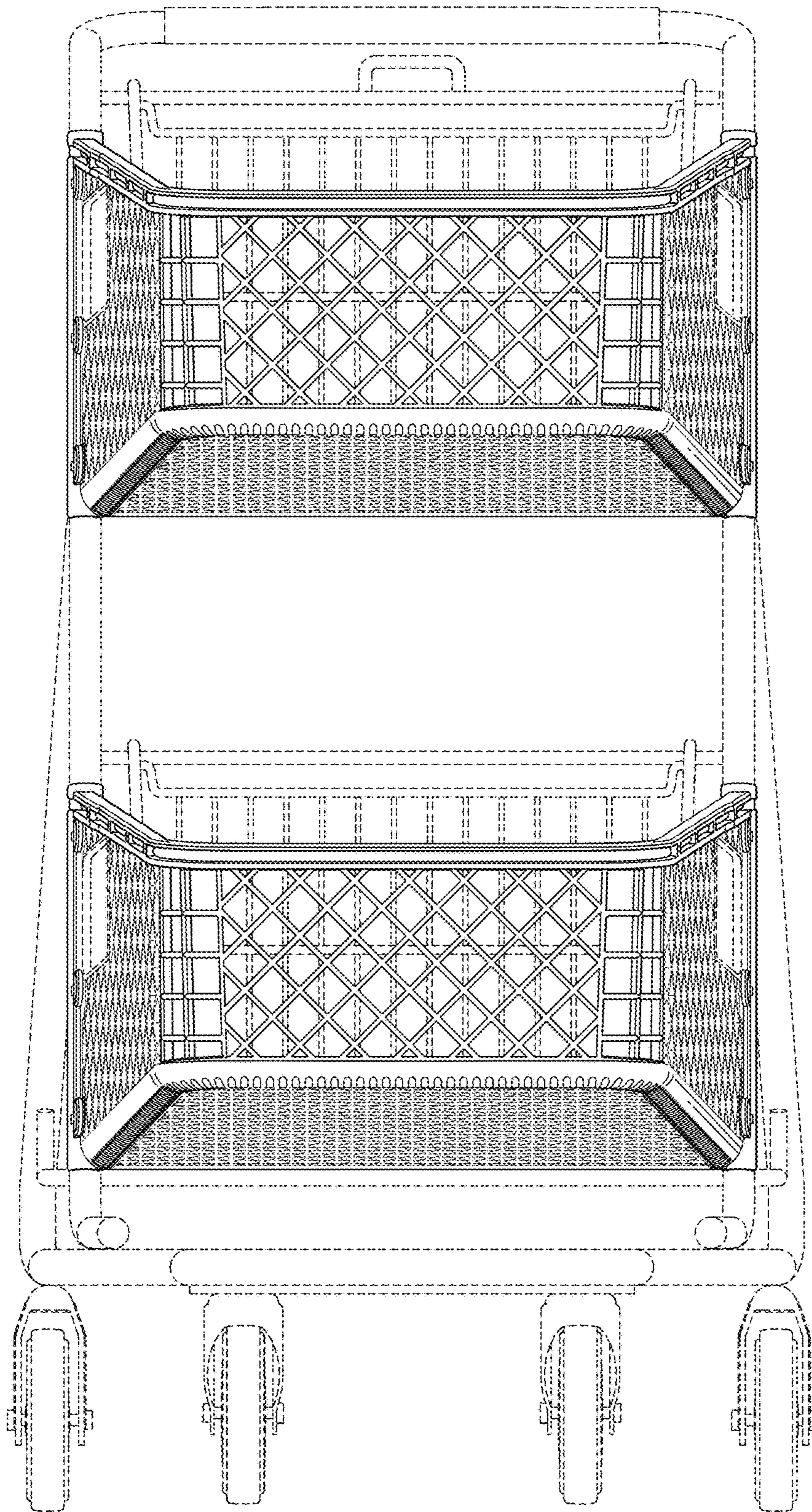


FIG.15 (AMENDED)

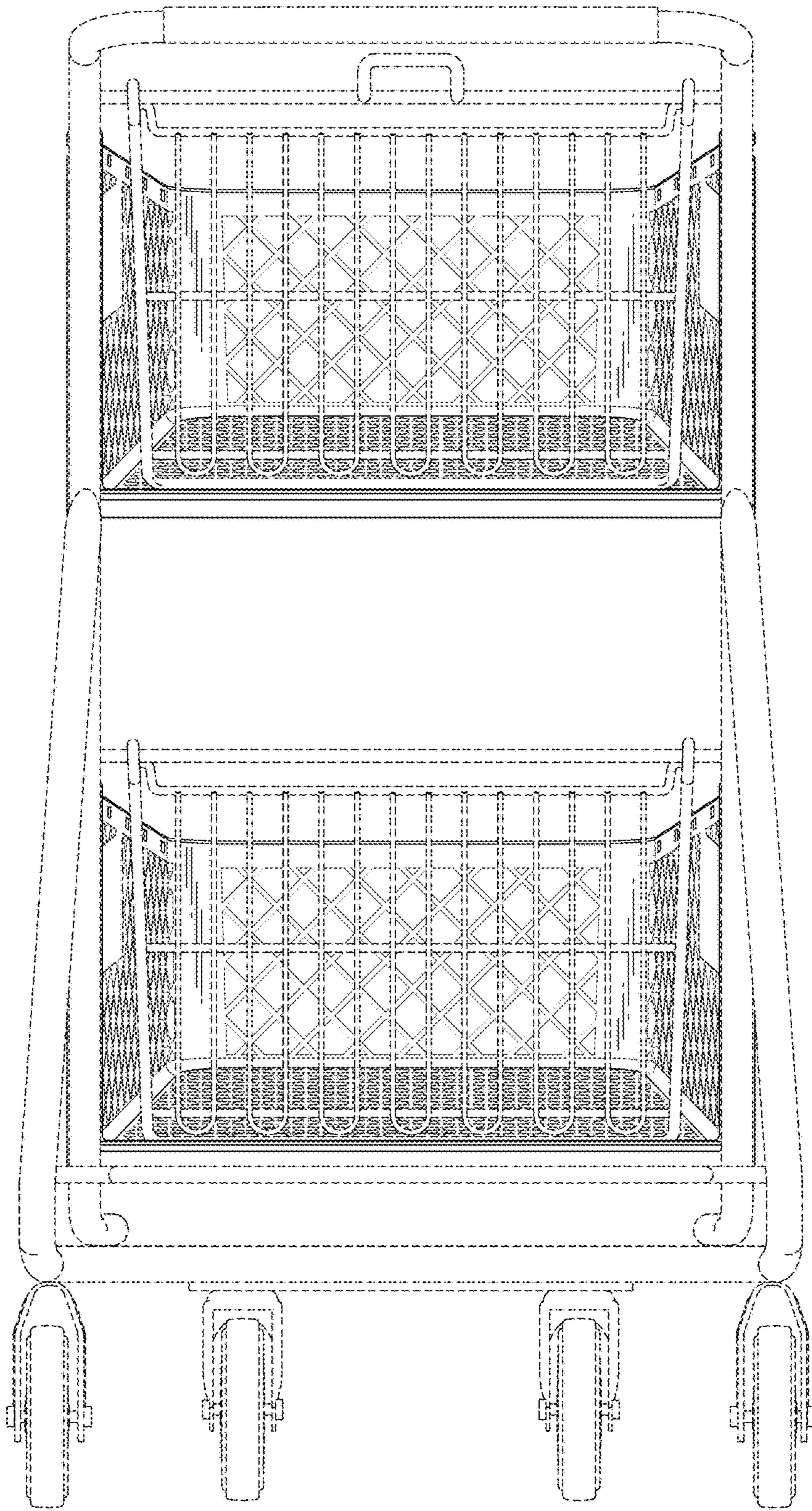


FIG.16 (AMENDED)

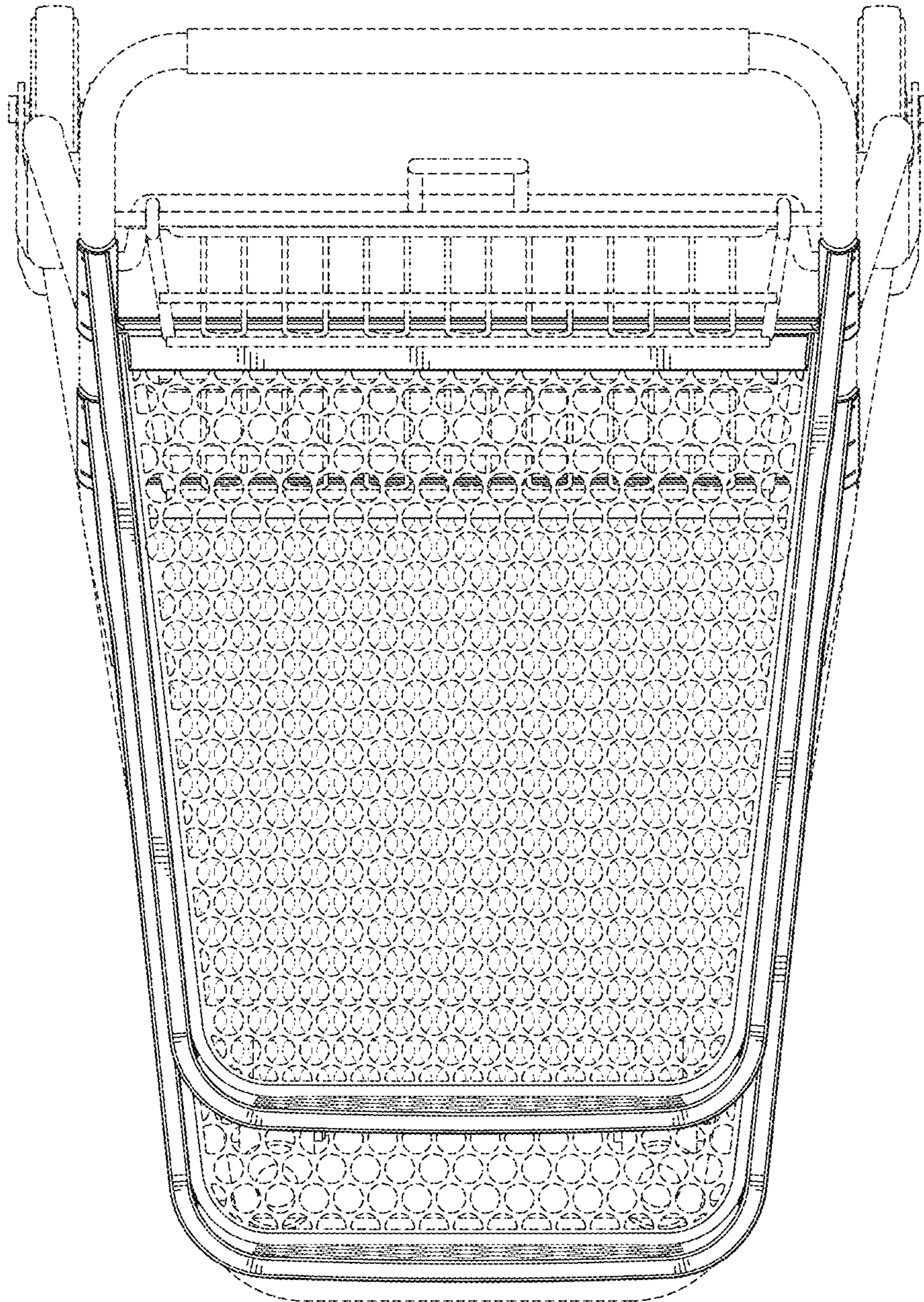


FIG.17 (AMENDED)

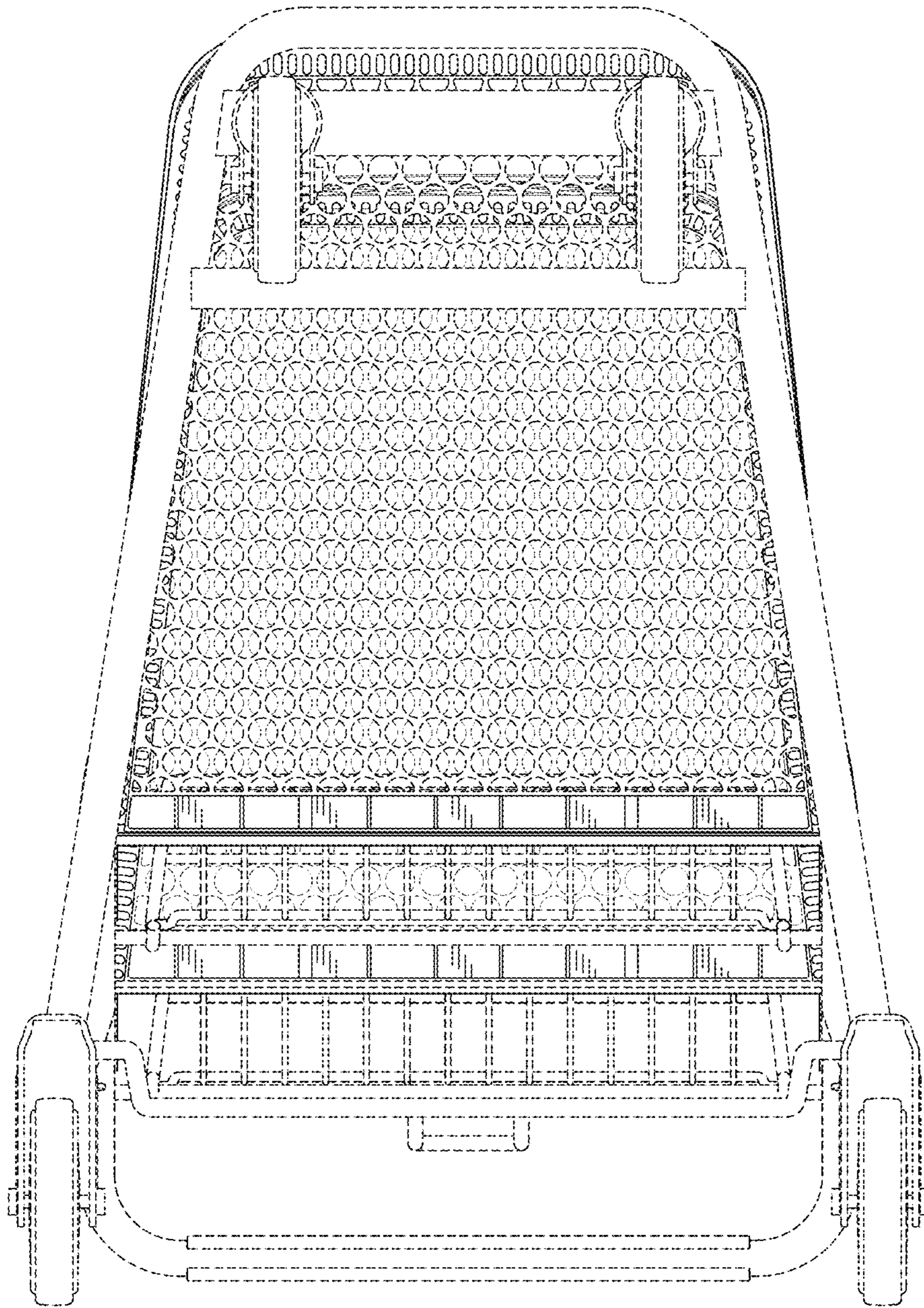


FIG.18 (AMENDED)