



US00RE46259E

(19) **United States**
(12) **Reissued Patent**
Kim

(10) **Patent Number:** **US RE46,259 E**
(45) **Date of Reissued Patent:** **Jan. 3, 2017**

(54) **MOBILE PHONE MONITOR**

(71) Applicant: **Samsung Electronics Co., Ltd.**,
Suwon-si (KR)

(72) Inventor: **Dong-Kyun Kim**, Seoul (KR)

(73) Assignee: **Samsung Electronics Co., Ltd.**,
Suwon-si (KR)

(21) Appl. No.: **29/487,578**

(22) Filed: **Apr. 10, 2014**

Related U.S. Patent Documents

Reissue of:

(64) Patent No.: **Des. 671,940**
Issued: **Dec. 4, 2012**
Appl. No.: **29/406,260**
Filed: **Nov. 11, 2011**

(30) **Foreign Application Priority Data**

Jul. 29, 2011 (KR) 30-2011-0031692

(51) **LOC (10) Cl.** **14-02**

(52) **U.S. Cl.**
USPC **D14/374**

(58) **Field of Classification Search**

USPC D14/371-376, 125-130, 336, 337, 341,
D14/217, 142, 239, 240, 434, 238.1;
D6/308, 311; 361/679.08, 679.23; 349/1,
349/2, 11, 58; 345/104, 156, 173, 174;
341/12; 248/917-924, 371

(Continued)

(56) **References Cited**

U.S. PATENT DOCUMENTS

D490,420 S * 5/2004 Solomon et al. D14/341
D504,889 S * 5/2005 Andre et al. D14/341

(Continued)

Primary Examiner — Darlington Ly

(74) *Attorney, Agent, or Firm* — NSIP Law

(57) **CLAIM**

[The] *I claim the ornamental design for a mobile phone monitor, as shown and described.*

DESCRIPTION

Notice: more than one reissue application has been filed for the reissue of U.S. Pat. No. D671,940. This design patent application is a reissue of U.S. Design Pat. No. D671,940, issued Dec. 4, 2012, which claims the benefit under U.S.C. Sections 119 and 172 of Korean Patent Application Serial No. 30-2011-0031692, filed Jul. 29, 2011, which is hereby incorporated by reference in its entirety into this application.

FIG. 1 is a front perspective view of a mobile phone monitor showing my new design;

FIG. 2 is a front view [of the mobile phone monitor of FIG. 1] thereof;

FIG. 3 is a rear view [of the mobile phone monitor of FIG. 1] thereof;

FIG. 4 is a left-side view [of the mobile phone monitor of FIG. 1] thereof;

FIG. 5 is a right-side view [of the mobile phone monitor of FIG. 1] thereof;

FIG. 6 is a top [plan] view [of the mobile phone monitor of FIG. 1] thereof;

FIG. 7 is a bottom [plan] view [of the mobile phone monitor of FIG. 1] thereof; and,

FIG. 8 is a rear perspective view of the mobile phone monitor of FIG. 1, in which a mobile phone [shown] in broken lines [for environmental purposes only and forms no part of the claimed design illustrates] is provided to illustrate an example of how the mobile phone may be [docketed in] docked to the mobile phone monitor of FIG. 1.

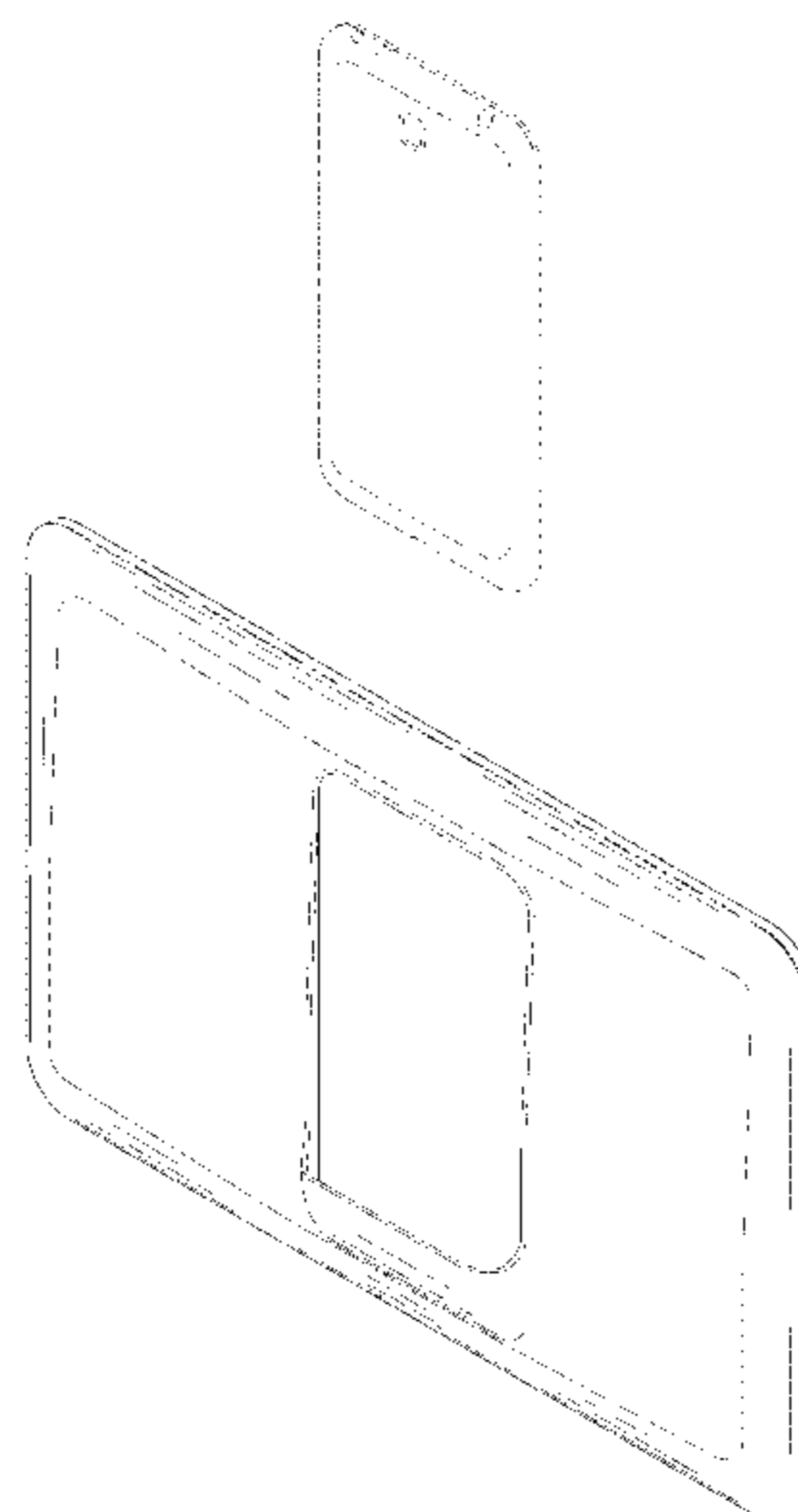
The broken lines in the figures show portions of the mobile phone monitor which form no part of the claimed design.

The broken line showing of the mobile phone in FIG. 8 is for environmental purposes only and forms no part of the claimed design.

1 Claim, 6 Drawing Sheets

Matter enclosed in heavy brackets [] appears in the original patent but forms no part of this reissue; matter printed in italics indicates the additions made by reissue.

AMENDED



(58) **Field of Classification Search**

CPC F16M 11/08; F16M 11/22; F16M 2200/08
See application file for complete search history.

(56) **References Cited**

U.S. PATENT DOCUMENTS

D617,793	S	*	6/2010	Chiang et al.	D14/341
D629,373	S	*	12/2010	Kim et al.	D14/126
D639,266	S	*	6/2011	DeLorenzo et al.	D14/142
D644,228	S	*	8/2011	Corsini et al.	D14/434
D669,070	S	*	10/2012	Hsu et al.	D14/341
D671,939	S	*	12/2012	Chung	D14/374
D677,181	S	*	3/2013	Lenz et al.	D10/65
8,605,433	B2	*	12/2013	Chiang et al.	361/679.59
8,606,340	B2	*	12/2013	Pegg	455/575.4
D701,570	S	*	3/2014	Fletcher et al.	D19/113
D701,862	S	*	4/2014	Lee et al.	D14/420
D702,231	S	*	4/2014	Park et al.	D14/341
D704,200	S	*	5/2014	Rayner	D14/447
D722,049	S	*	2/2015	Moradian	D14/341
2003/0236102	A1	*	12/2003	Kawai et al.	455/550.1
2006/0236014	A1	*	10/2006	Yin et al.	710/303
2010/0309617	A1	*	12/2010	Wang et al.	361/679.01

* cited by examiner

FIG. 1
AMENDED

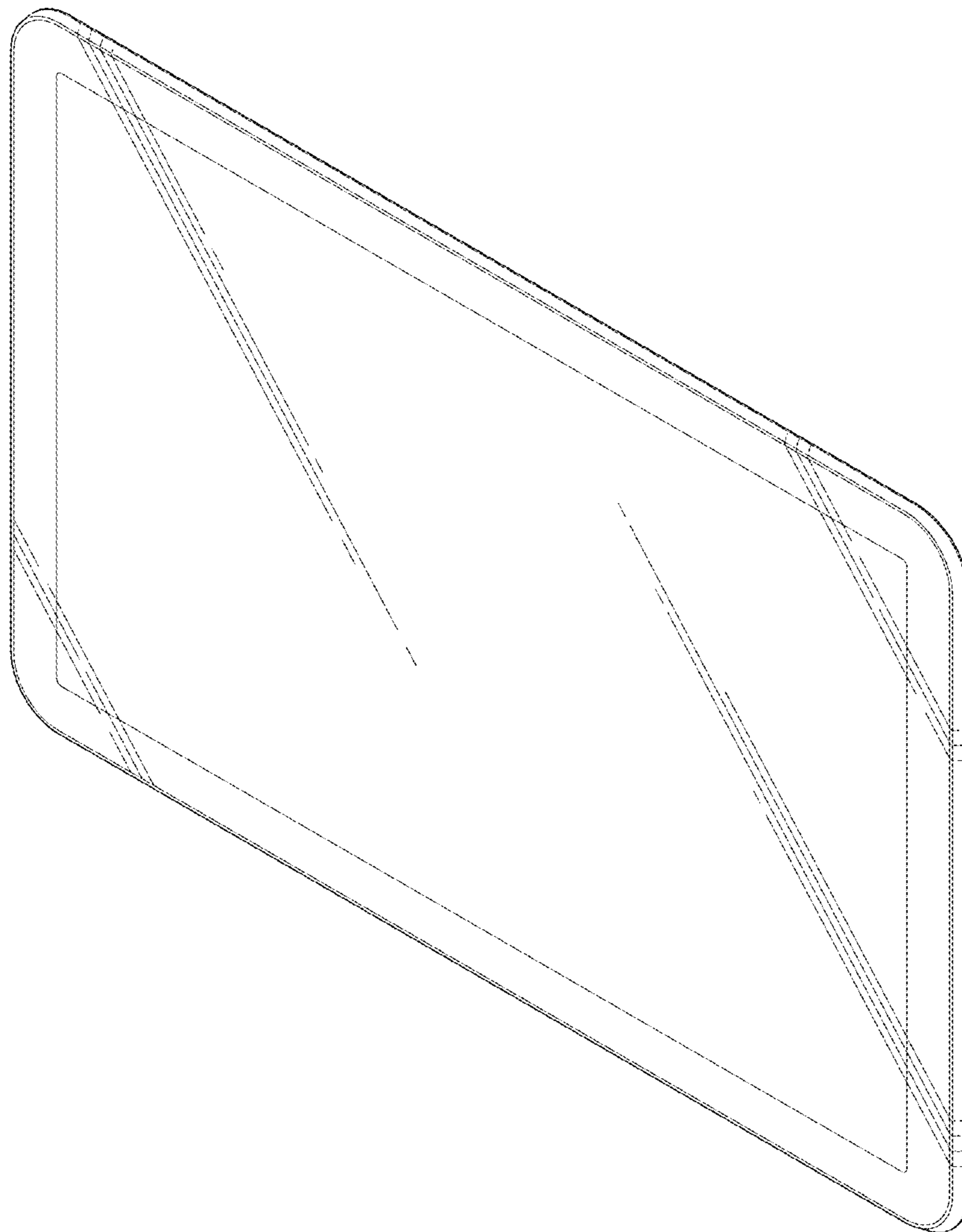


FIG. 2
AMENDED

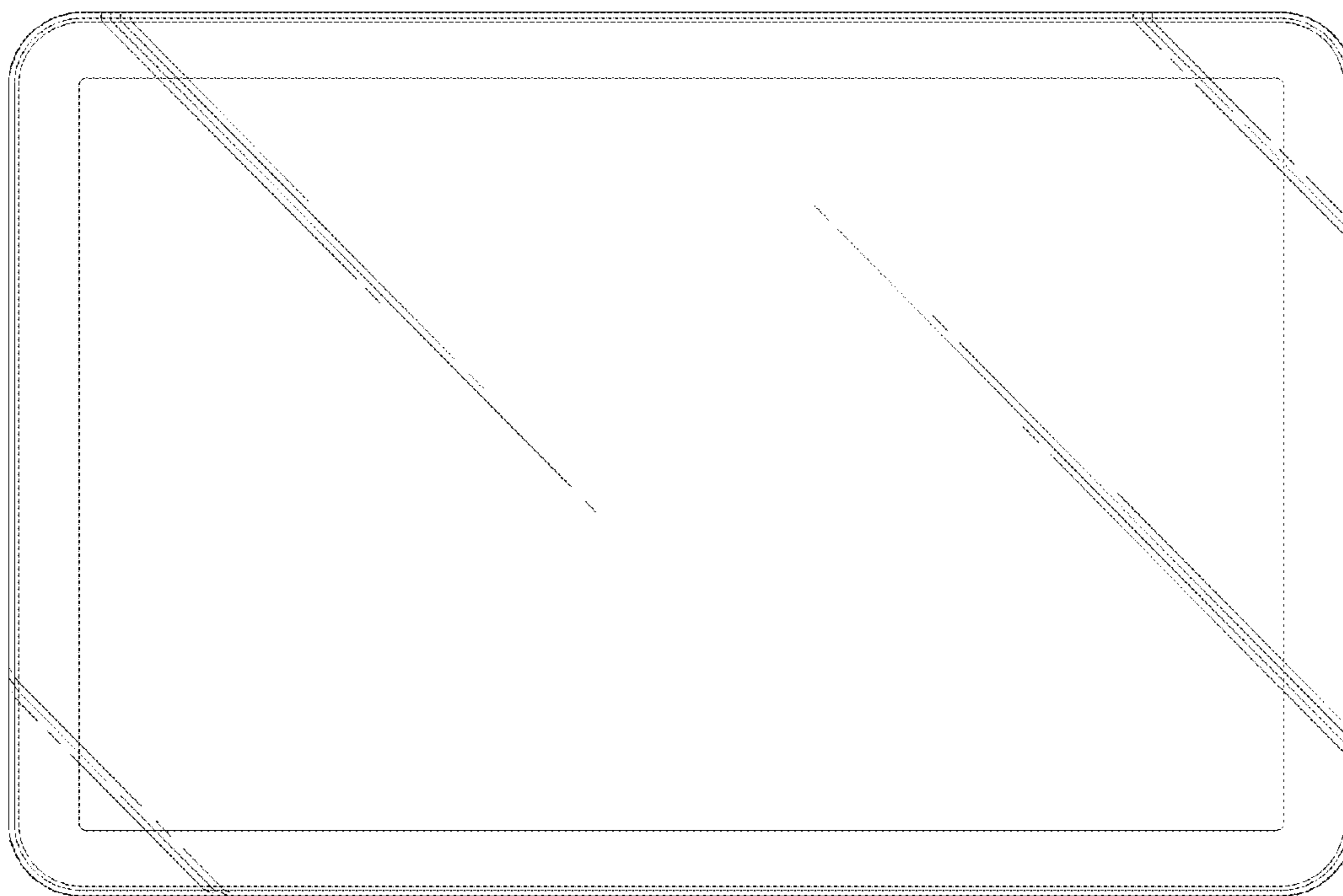


FIG. 3
AMENDED

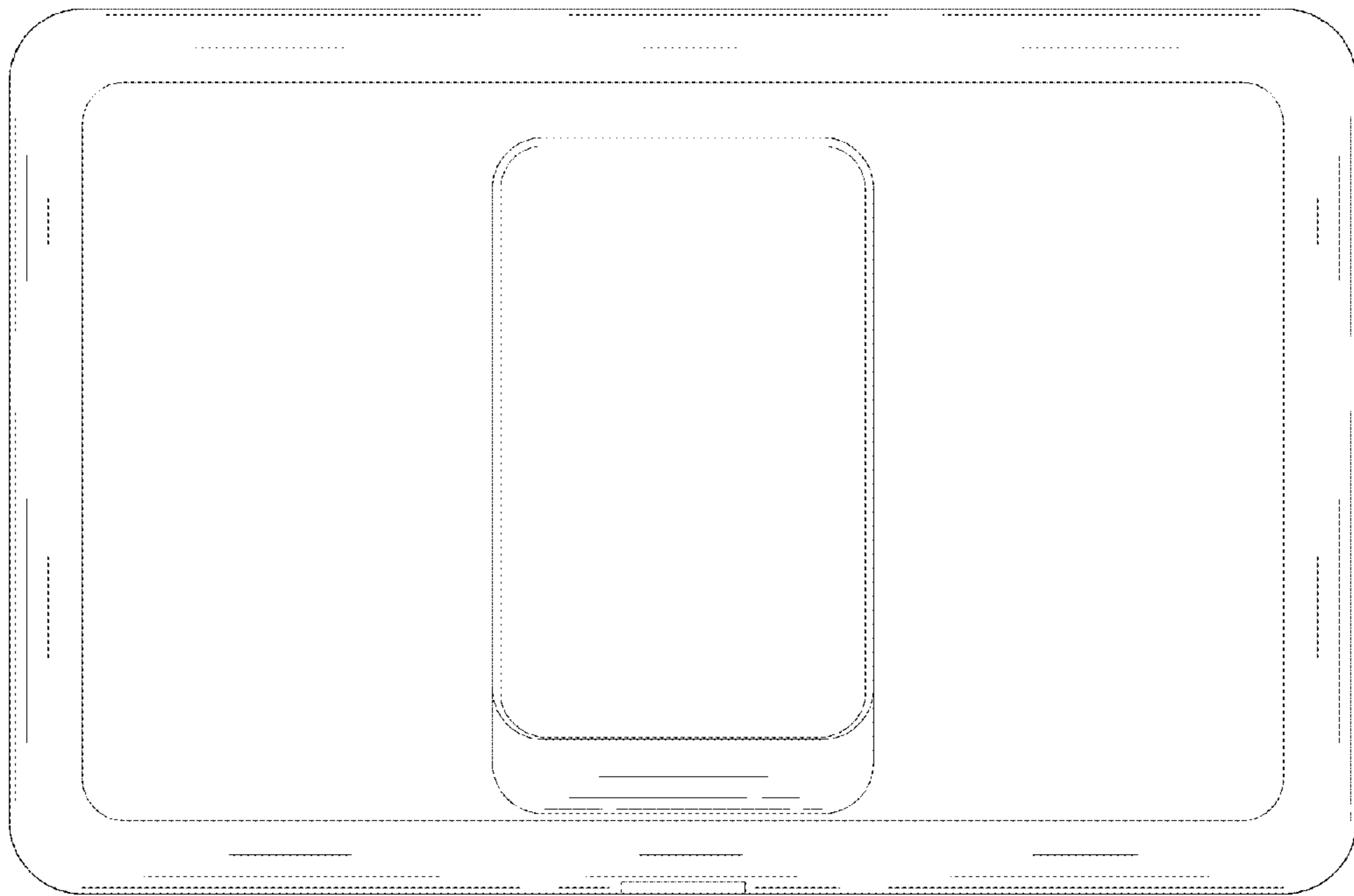


FIG. 4
AMENDED

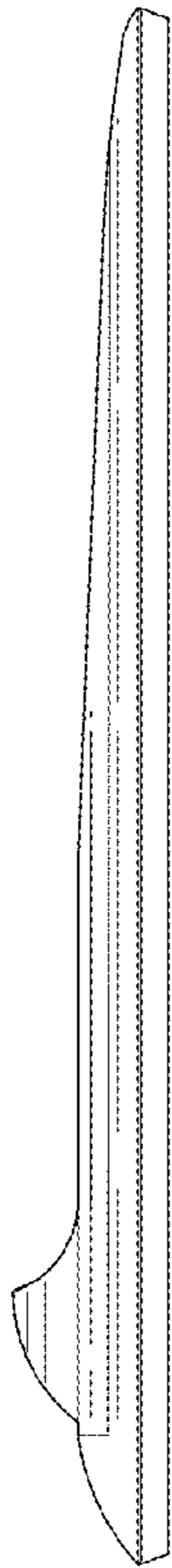


FIG. 5
AMENDED

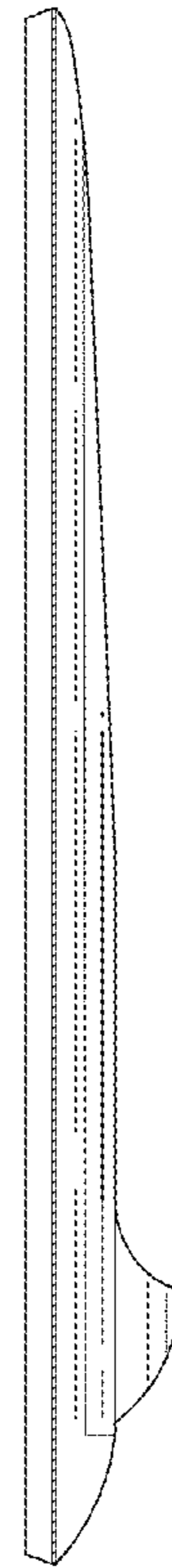


FIG. 6
AMENDED

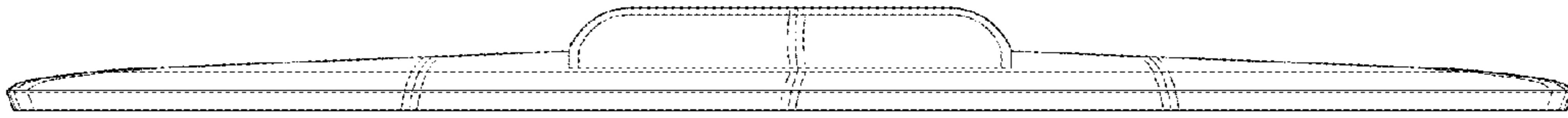


FIG. 7
AMENDED

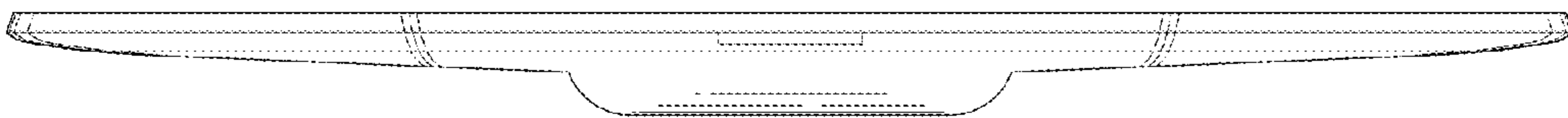


FIG. 8
AMENDED

