

US00RE46256E

(19) **United States**
(12) **Reissued Patent**
Hardman et al.

(10) **Patent Number: US RE46,256 E**
(45) **Date of Reissued Patent: Dec. 27, 2016**

(54) **ASYMMETRIC TOPOLOGY TO BOOST
LOW LOAD EFFICIENCY IN MULTI-PHASE
SWITCH-MODE POWER CONVERSION**

(56) **References Cited**

U.S. PATENT DOCUMENTS

(71) Applicants: **Advanced Micro Devices, Inc.**,
Sunnyvale, CA (US); **ATI
TECHNOLOGIES ULC**, Markham
(CA)

2,605,310 A 7/1952 White
2,820,941 A 1/1958 Berkery
3,013,165 A 12/1961 Bataille
3,122,677 A 2/1964 Flieder
3,179,818 A 4/1965 Urban
3,192,441 A 6/1965 Wright
3,192,468 A 6/1965 Buchanan et al.
3,204,172 A 8/1965 Darling et al.

(Continued)

(72) Inventors: **Peter Thomas Hardman**, Kyle, TX
(US); **Erwin Pang**, Markham (CA);
Sanjiv K. Lakhanpal, Austin, TX (US)

OTHER PUBLICATIONS

(73) Assignees: **Advanced Micro Devices, Inc.**,
Sunnyvale, CA (US); **ATI Technologies
ULC**, Markham, Ontario (CA)

George Schuellein, "Multiphase Buck Converter Design Responds Well to Transients", EE Times, <http://www.eetimes.com/document.asp?doc_id=1224753>, Sep. 13, 2000, 15 pages.

(Continued)

(21) Appl. No.: **13/902,145**

Primary Examiner — My Trang Ton

(22) Filed: **May 24, 2013**

(57) **ABSTRACT**

Related U.S. Patent Documents

Reissue of:

(64) Patent No.: **7,948,222**
Issued: **May 24, 2011**
Appl. No.: **12/366,233**
Filed: **Feb. 5, 2009**

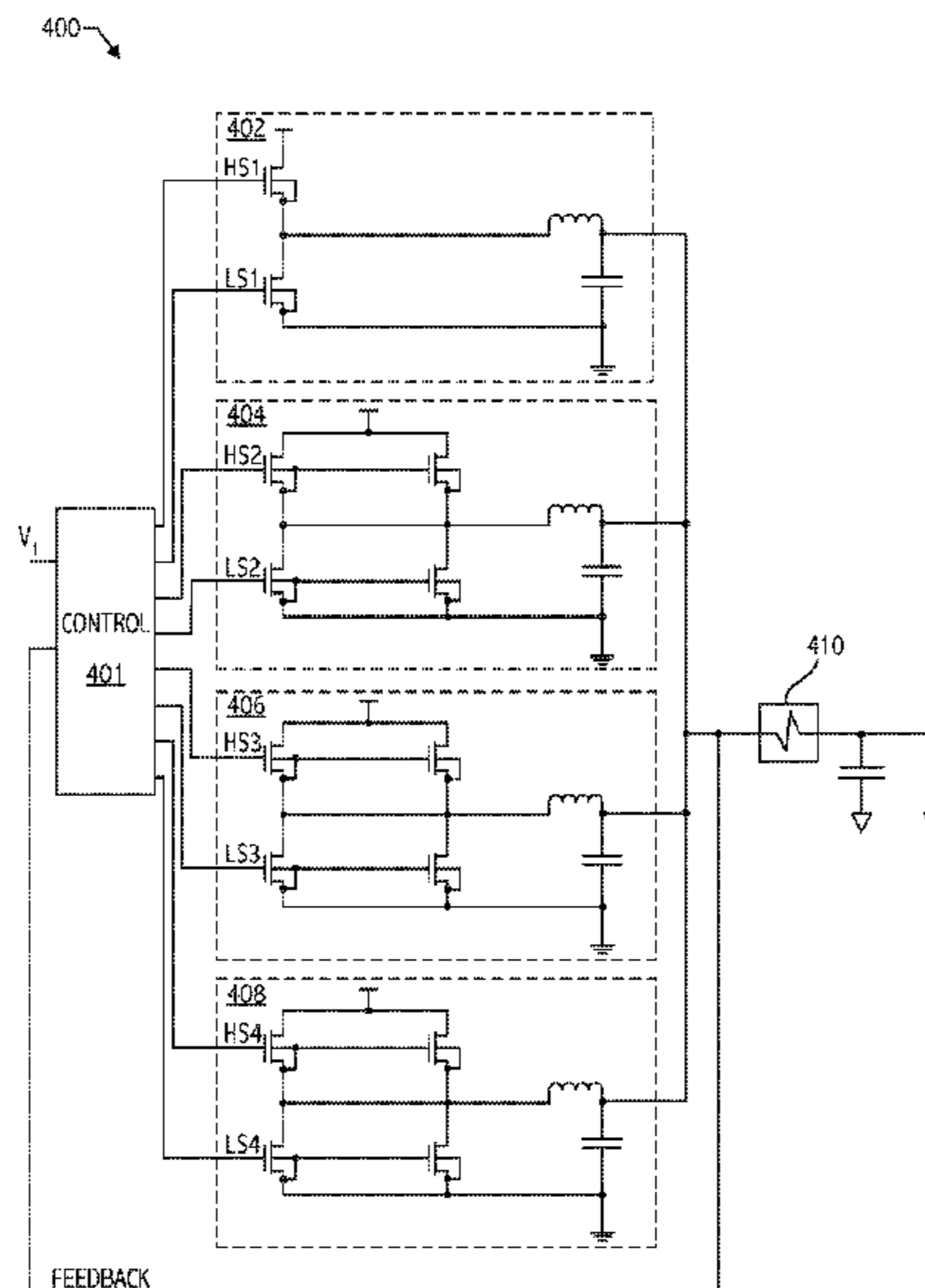
Techniques for performing DC to DC power conversion in switch-mode converter circuits include combinations of dynamic switch shedding, phase shedding, symmetric phase circuit topologies, and asymmetric phase circuit topologies. In at least one embodiment of the invention, a method of operating a power converter circuit includes operating a first phase switch circuit portion using a first number of switch devices when the power converter circuit is configured in a first mode of operation. The first number is greater than zero. The method includes operating the first phase switch circuit portion using the first number of switch devices when the power converter circuit is configured in a second mode of operation. The method includes operating a second phase switch circuit portion using a second number of switch devices when the power converter circuit is configured in the second mode of operation. The second number is greater than the first number.

(51) **Int. Cl.**
G05F 1/10 (2006.01)
G05F 1/00 (2006.01)

(52) **U.S. Cl.**
CPC **G05F 1/00** (2013.01)

(58) **Field of Classification Search**
CPC H02M 3/1584; H02M 3/1588; G05F 1/563;
G05F 1/00
USPC 323/272, 283, 284; 363/65
See application file for complete search history.

21 Claims, 6 Drawing Sheets



(56)

References Cited

U.S. PATENT DOCUMENTS

3,215,925 A	11/1965	Rieke	5,642,267 A	6/1997	Brkovic et al.
3,218,542 A	11/1965	Taylor	5,677,618 A	10/1997	Fiez et al.
3,226,630 A	12/1965	Lampke	5,677,619 A	10/1997	Doluca
3,263,099 A	7/1966	Bedford	5,731,731 A	3/1998	Wilcox et al.
3,286,157 A	11/1966	Leostic	5,751,139 A	5/1998	Jordan et al.
3,317,820 A	5/1967	Nylander	5,757,634 A	5/1998	Ferens
3,325,725 A	6/1967	Nylander	5,773,969 A	6/1998	Nakayama et al.
3,327,202 A	6/1967	Mills	5,815,380 A	9/1998	Cuk et al.
3,360,712 A	12/1967	Morgan	5,844,786 A	12/1998	Yoshida et al.
3,376,492 A	4/1968	Morgan et al.	5,847,949 A	12/1998	Jiang
3,381,202 A	4/1968	Loucks et al.	5,862,042 A	1/1999	Jiang
3,452,266 A	6/1969	Borden et al.	5,870,296 A	2/1999	Schaffer
3,523,239 A	8/1970	Heard	5,889,392 A	3/1999	Moore et al.
3,559,028 A	1/1971	Studtmann et al.	5,912,552 A	6/1999	Tateishi
3,559,029 A	1/1971	Yarema	5,944,885 A	8/1999	Yoshinaka et al.
3,702,961 A	11/1972	Erickson	5,949,658 A	9/1999	Thottuvelil et al.
4,095,165 A	6/1978	Boros	5,959,855 A	9/1999	Ishii et al.
4,109,194 A	8/1978	Miller	6,005,377 A	12/1999	Chen et al.
4,128,771 A	12/1978	Domenico	6,023,190 A	2/2000	Wada
4,184,197 A	1/1980	Cuk et al.	6,057,607 A	5/2000	Rader, III et al.
4,186,437 A	1/1980	Cuk	6,075,295 A	6/2000	Li
4,257,087 A	3/1981	Cuk	6,178,101 B1	1/2001	Shires
4,274,133 A	6/1981	Cuk et al.	6,204,651 B1	3/2001	Marcus et al.
4,309,650 A	1/1982	Boros et al.	6,211,657 B1	4/2001	Goluszek
4,315,316 A	2/1982	Boros et al.	6,215,290 B1	4/2001	Yang et al.
4,325,112 A	4/1982	Otsuka	6,222,352 B1	4/2001	Lenk
4,326,160 A	4/1982	Braun	6,222,750 B1	4/2001	Swart et al.
4,353,113 A	10/1982	Billings	6,239,509 B1	5/2001	Rader, III et al.
4,356,542 A	10/1982	Bruckner et al.	6,278,263 B1	8/2001	Walters et al.
4,395,675 A	7/1983	Toumani	6,281,666 B1	8/2001	Tressler et al.
4,488,214 A	12/1984	Chambers	6,285,251 B1	9/2001	Dent et al.
4,523,269 A	6/1985	Baker et al.	6,285,571 B1 *	9/2001	Brooks et al. 363/65
4,622,511 A	11/1986	Moore	6,304,065 B1	10/2001	Wittenbreder
4,628,426 A	12/1986	Steigerwald	6,348,779 B1	2/2002	Sluijs
4,654,769 A	3/1987	Middlebrook	6,355,990 B1	3/2002	Mitchell
4,720,667 A	1/1988	Lee et al.	6,362,607 B1 *	3/2002	Wickersham et al. 323/272
4,720,668 A	1/1988	Lee et al.	6,362,608 B1	3/2002	Ashburn et al.
4,725,940 A	2/1988	Henze	6,433,527 B1	8/2002	Izadinia et al.
4,736,286 A	4/1988	Gulczynski	6,534,960 B1	3/2003	Wells et al.
4,761,725 A	8/1988	Henze	6,674,274 B2	1/2004	Hobrecht et al.
4,801,859 A	1/1989	Dishner	6,678,178 B2	1/2004	Lipcei
4,803,610 A	2/1989	Gulczynski	6,850,045 B2 *	2/2005	Muratov et al. 323/272
4,811,185 A	3/1989	Cook et al.	6,873,140 B2	3/2005	Saggini et al.
4,841,220 A	6/1989	Tabisz et al.	6,912,144 B1	6/2005	Clavette
4,857,822 A	8/1989	Tabisz et al.	6,965,219 B2	11/2005	Brooks et al.
5,013,992 A	5/1991	Eavenson et al.	7,265,522 B2	9/2007	Sutardja et al.
5,070,294 A	12/1991	Nochi	7,342,383 B1	3/2008	Song et al.
5,115,185 A	5/1992	Fraidlin et al.	7,414,383 B2	8/2008	Burton et al.
5,119,013 A	6/1992	Sabroff	7,456,618 B2 *	11/2008	Jain H02M 3/157 323/272
5,216,351 A	6/1993	Shimoda	7,602,156 B2	10/2009	Weng et al.
5,225,767 A	7/1993	Gulczynski	7,624,291 B2	11/2009	Nguyen
5,272,614 A	12/1993	Brunk et al.	7,729,144 B2 *	6/2010	Urakabe et al. 363/71
5,396,165 A	3/1995	Hwang et al.	7,888,918 B2	2/2011	Wu et al.
5,436,823 A	7/1995	Araki	7,948,222 B2	5/2011	Hardman et al.
5,442,534 A	8/1995	Cuk et al.	7,999,519 B2	8/2011	McDonald et al.
5,442,539 A	8/1995	Cuk et al.	7,999,520 B2	8/2011	Luo et al.
5,450,309 A	9/1995	Rohner	8,294,438 B2	10/2012	Wickersham et al.
5,475,296 A	12/1995	Vinsant et al.	8,374,008 B2 *	2/2013	Rinne et al. 363/65
5,479,089 A	12/1995	Lee			
5,513,094 A *	4/1996	Stanley 363/98			
5,528,480 A	6/1996	Kikinis et al.			
5,568,368 A	10/1996	Steigerwald et al.			
5,570,276 A	10/1996	Cuk et al.			
5,574,357 A	11/1996	Otake et al.			
5,617,015 A	4/1997	Goder et al.			
5,619,406 A	4/1997	Divan et al.			

OTHER PUBLICATIONS

“Multiphase Buck Converters”, PowerGuru, <<http://www.powerguru.org/multiphase-buck-converters/>>, Nov. 1, 2007, 8 pages.

Application Note 556, “Introduction to Power Supplies,” National Semiconductor Corporation, Sep. 2002, 7 pages.

* cited by examiner

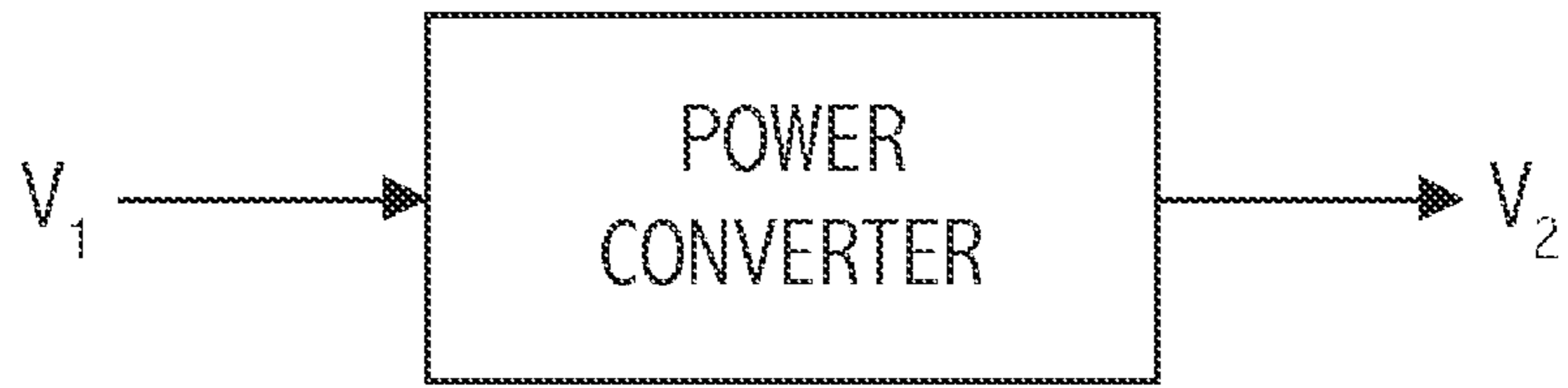


FIG. 1

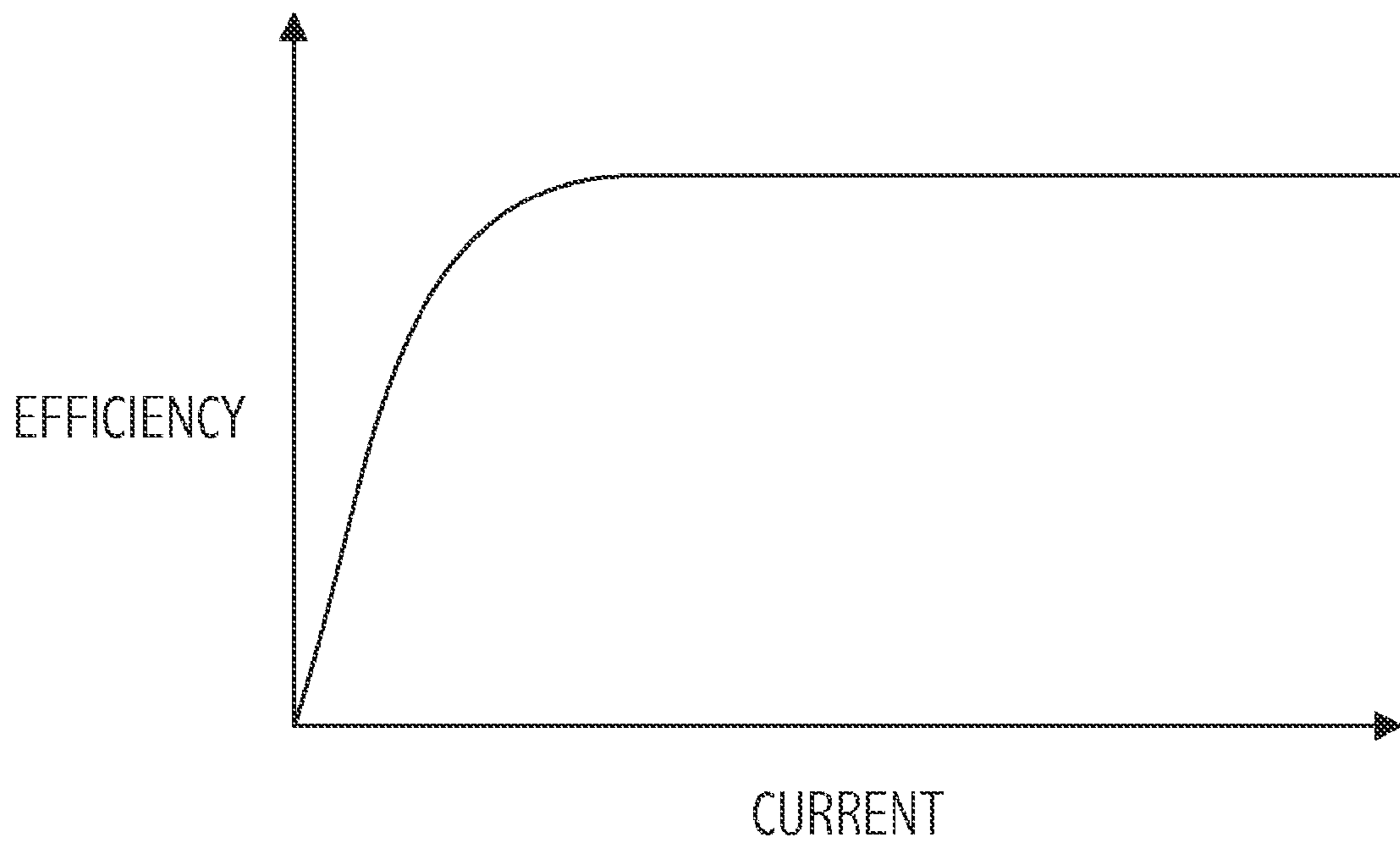


FIG. 3

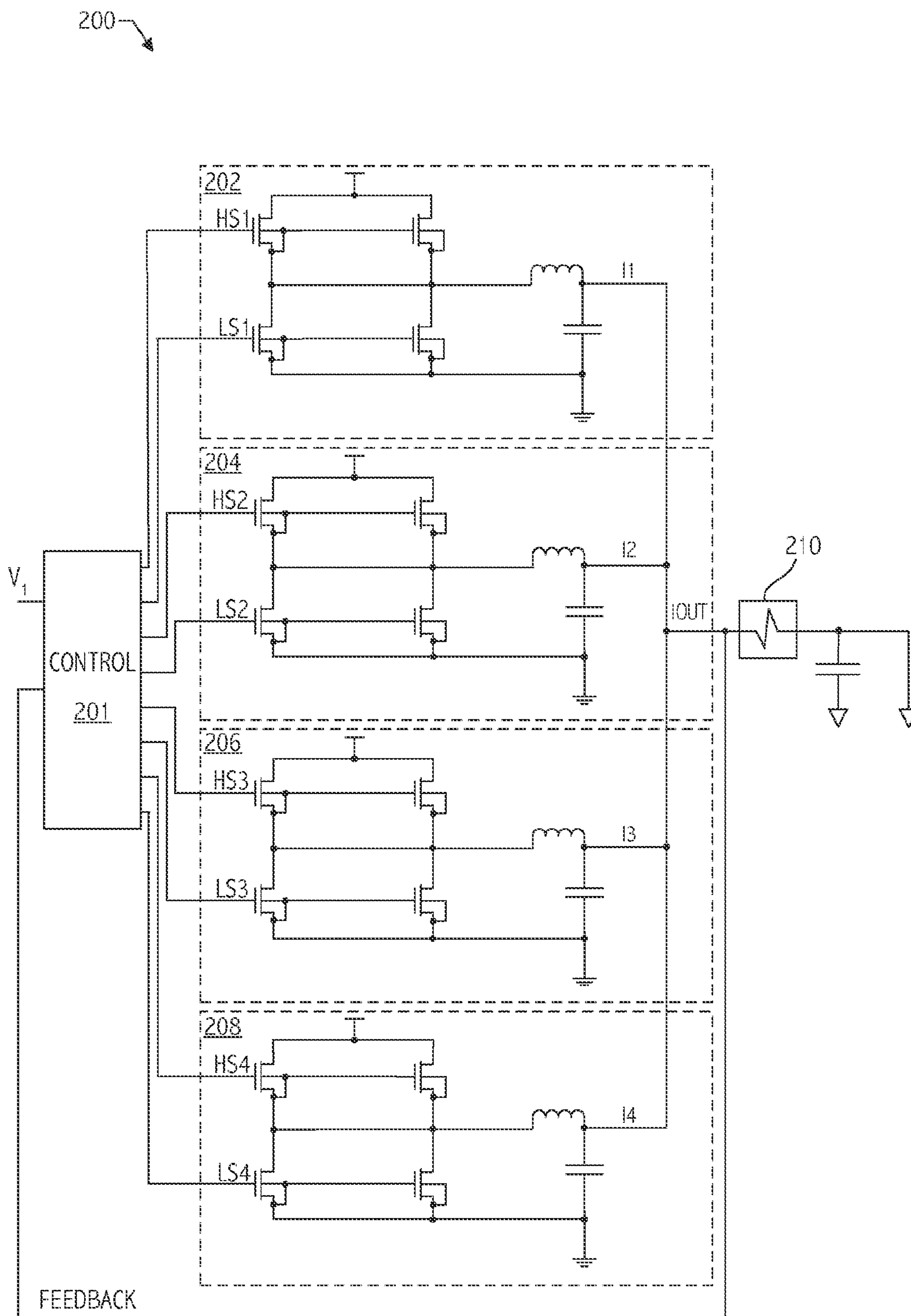


FIG. 2

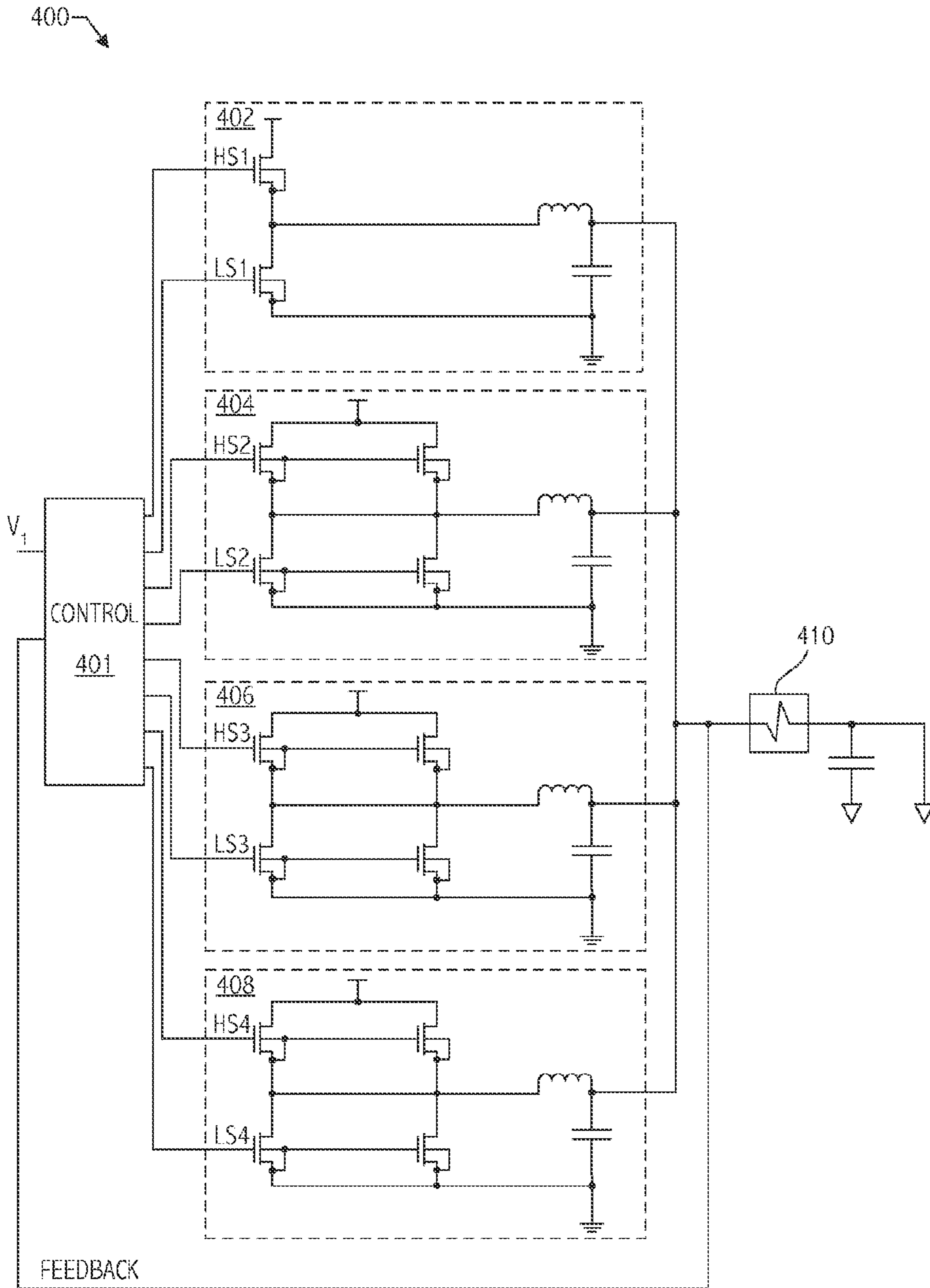


FIG. 4

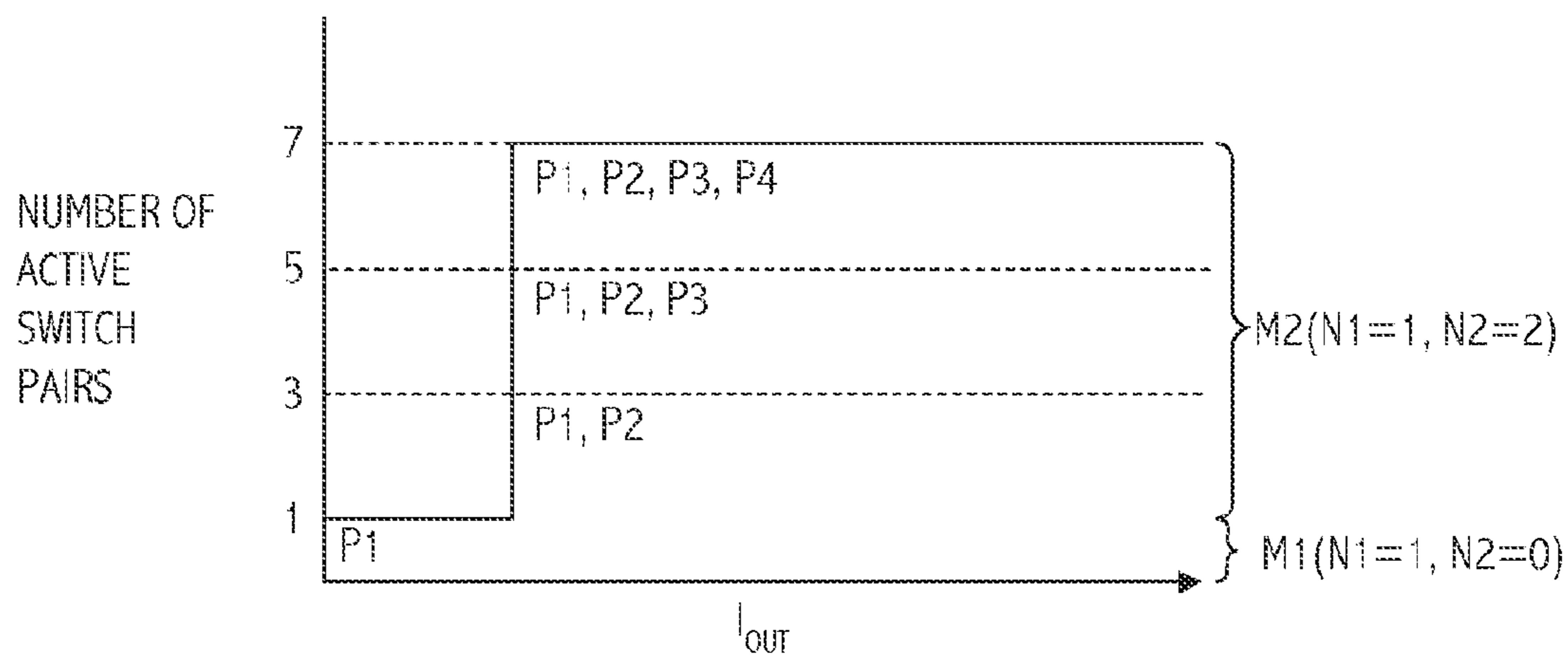


FIG. 5

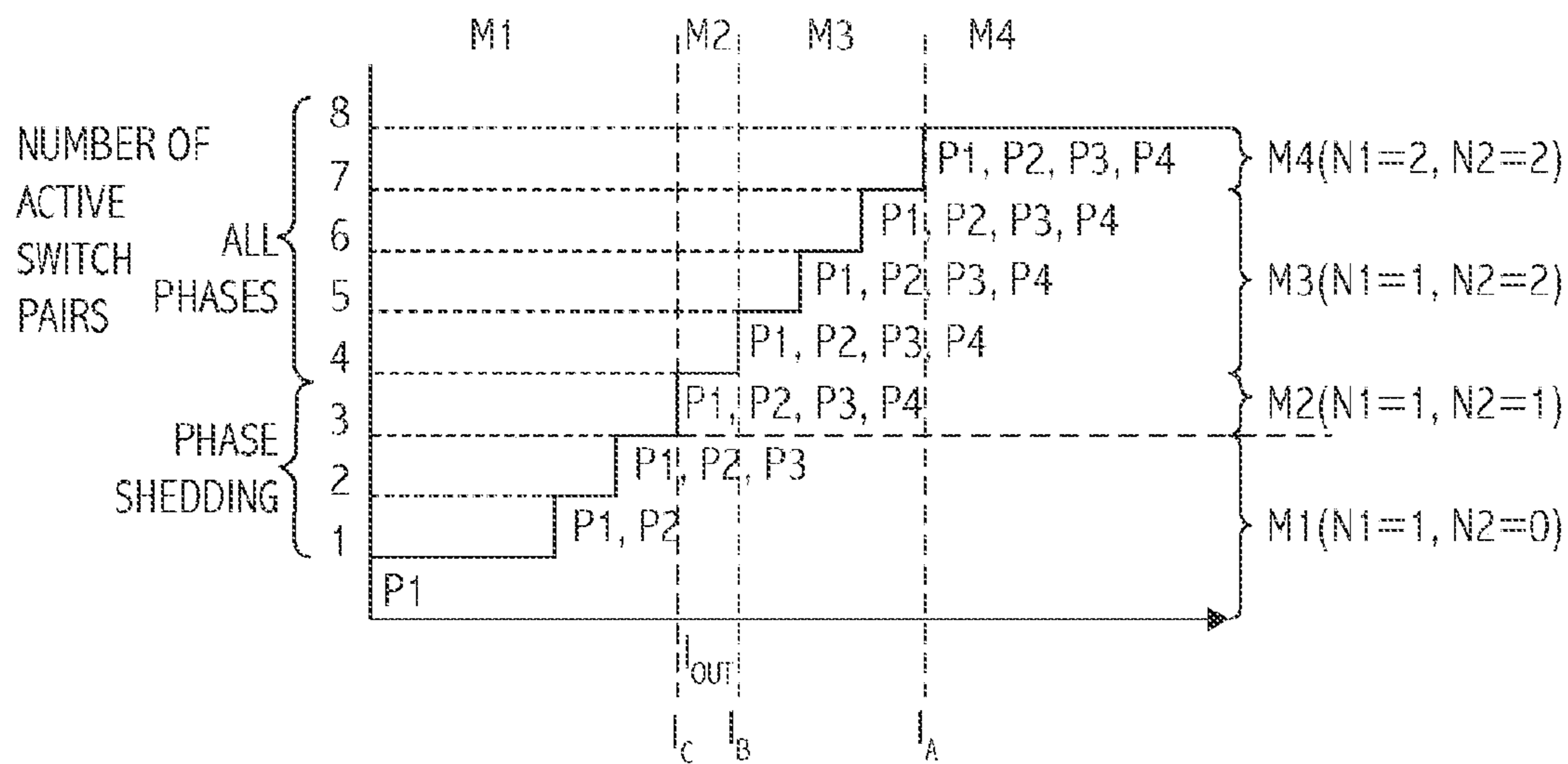


FIG. 7

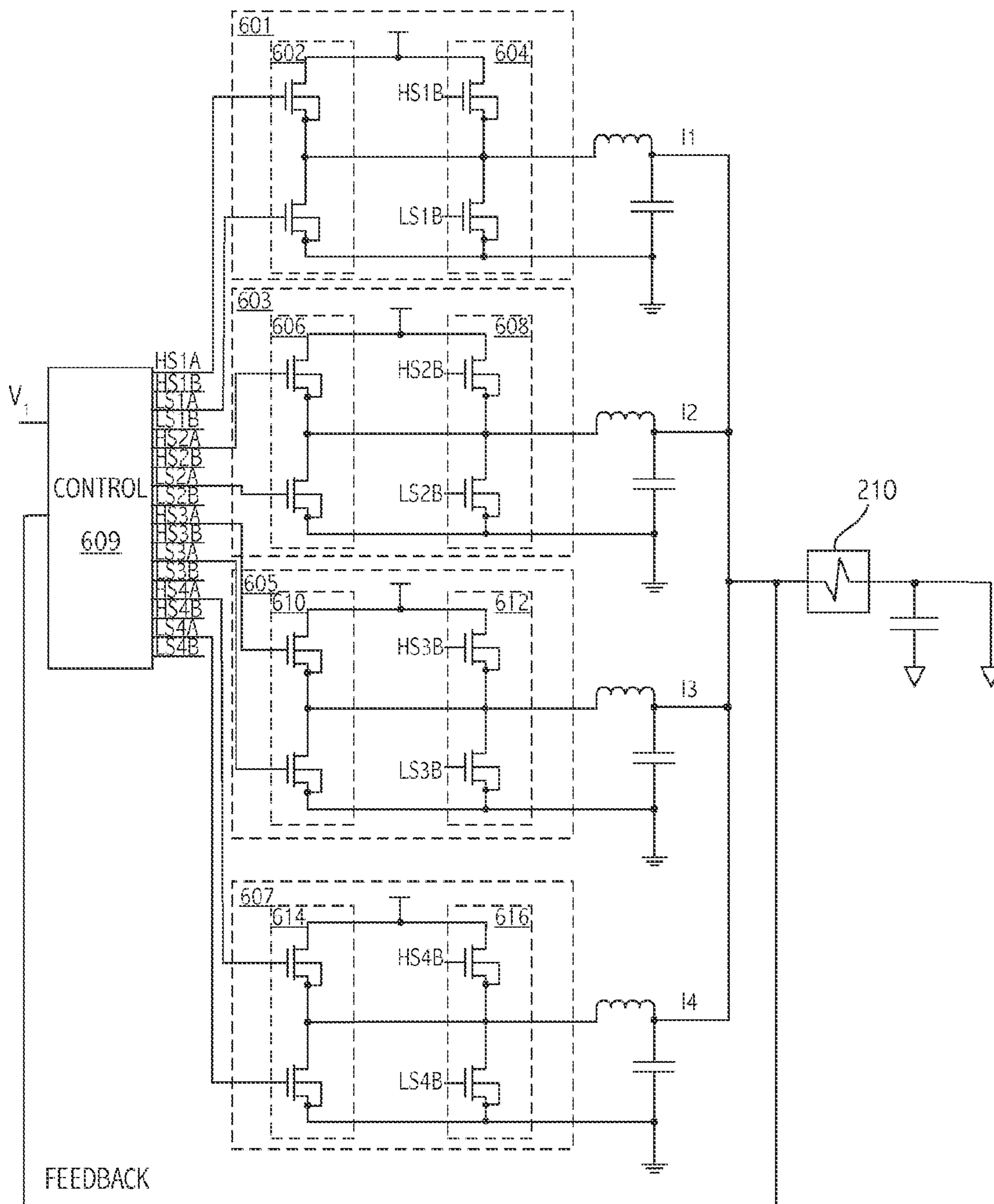


FIG. 6

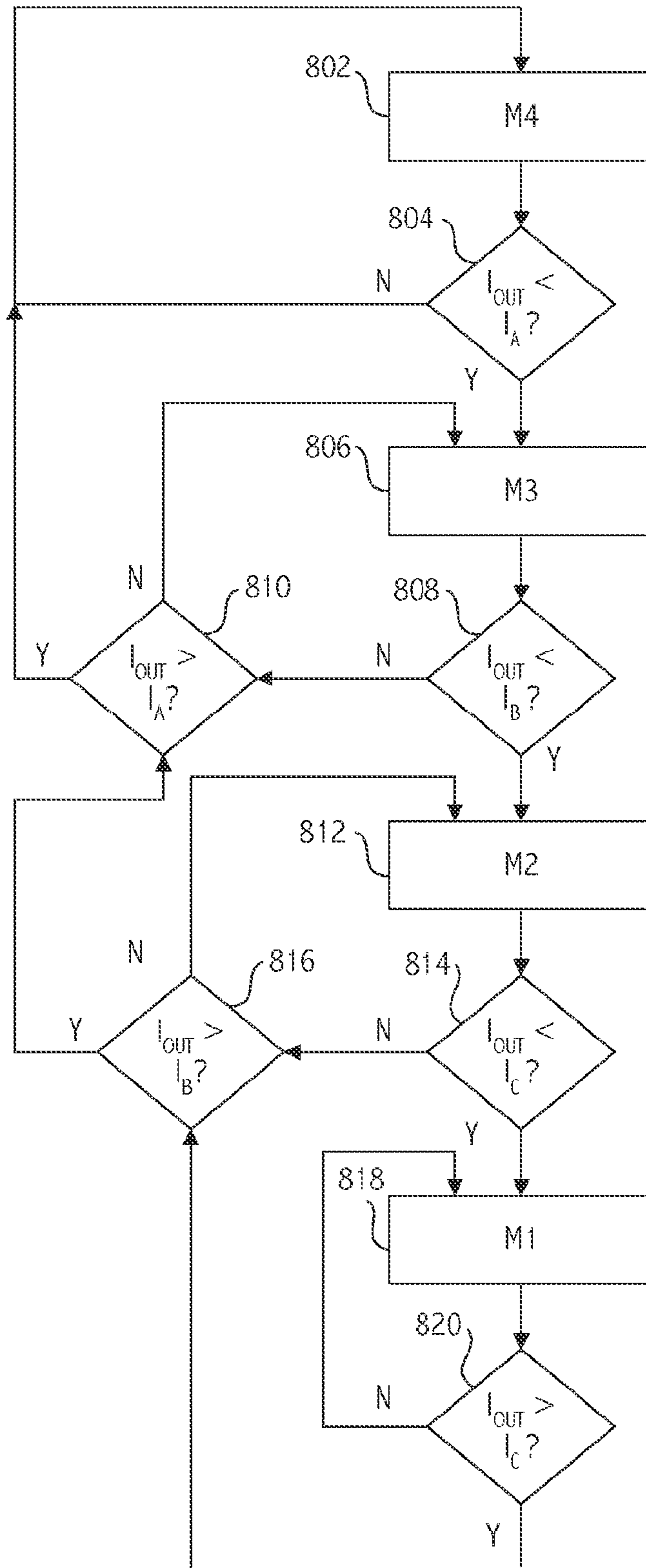


FIG. 8

1

**ASYMMETRIC TOPOLOGY TO BOOST
LOW LOAD EFFICIENCY IN MULTI-PHASE
SWITCH-MODE POWER CONVERSION**

Matter enclosed in heavy brackets [] appears in the original patent but forms no part of this reissue specification; matter printed in italics indicates the additions made by reissue; a claim printed with strikethrough indicates that the claim was canceled, disclaimed, or held invalid by a prior post-patent action or proceeding.

BACKGROUND

1. Field of the Invention

This application relates to power converter circuits and more particularly to DC to DC power converter circuits.

2. Description of the Related Art

DC to DC power converter circuits, which are particularly useful in low-power electronic devices, convert a source of direct current from a first voltage level to a second voltage level (FIG. 1). A typical switch-mode (i.e., switched, switched-mode, switch-mode, switching-mode, etc.) DC to DC power converter converts the first voltage level to the second voltage level by temporarily storing energy in a magnetic component (e.g., an inductor or transformer) or a capacitor circuit (e.g., switched capacitor circuit) and then releasing the energy, at a different voltage, from the magnetic component to a load. In general, actual switch-mode DC to DC power supply designs have less than 100% conversion efficiency and provide an output voltage that has an error voltage characterized by a ripple voltage variation having a periodic amplitude variation from a target constant voltage level.

SUMMARY

Techniques for performing DC to DC power conversion in a switch-mode converter circuit include combinations of dynamic switch shedding, phase shedding, symmetric phase circuit topologies, and asymmetric phase circuit topologies. In at least one embodiment of the invention, a method of operating a power converter circuit includes operating a first phase switch circuit portion using a first number of switch devices when the power converter circuit is configured in a first mode of operation. The first number is greater than zero. The method includes operating the first phase switch circuit portion using the first number of switch devices when the power converter circuit is configured in a second mode of operation. The method includes operating a second phase switch circuit portion using a second number of switch devices when the power converter circuit is configured in the second mode of operation. The second number is greater than the first number.

In at least one embodiment of the invention, a method of operating a power converter circuit includes selectively disabling at least one switch device of a plurality of switch devices in a corresponding phase circuit of a plurality of phase circuits, at least partially based on a signal indicative of a load coupled to the power converter circuit. At least one switch device of the corresponding phase circuit is selectively disabled while at least one other switch device of the corresponding phase circuit is selectively enabled.

In at least one embodiment of the invention, an apparatus includes a power converter circuit portion. The power converter circuit portion includes a first phase switch circuit portion configured to operate using a first number of switch

2

devices when the power converter circuit is configured in a first mode of operation. The first number is greater than zero. The first phase switch circuit portion is configured to operate using the first number of switch devices when the power converter circuit is configured in a second mode of operation. The power converter circuit portion includes at least a second phase switch circuit portion configured to operate using a second number of switch devices when the power converter circuit is configured in the second mode of operation. The second number is greater than the first number.

BRIEF DESCRIPTION OF THE DRAWINGS

The present invention may be better understood, and its numerous objects, features, and advantages made apparent to those skilled in the art by referencing the accompanying drawings.

FIG. 1 is a block diagram of a power converter circuit.

FIG. 2 illustrates a system including an exemplary power converter circuit.

FIG. 3 illustrates efficiency as a function of current for a power converter circuit consistent with FIG. 2.

FIG. 4 illustrates a system including an exemplary power converter circuit consistent with at least one embodiment of the invention.

FIG. 5 illustrates exemplary configurations of the exemplary power converter circuit of FIG. 4, consistent with at least one embodiment of the invention.

FIG. 6 illustrates a system including an exemplary power converter circuit consistent with at least one embodiment of the invention.

FIG. 7 illustrates exemplary configurations of the exemplary power converter circuit of FIG. 6, consistent with at least one embodiment of the invention.

FIG. 8 illustrates exemplary information and control flows associated with the exemplary power converter circuit of FIG. 6, consistent with at least one embodiment of the invention.

The use of the same reference symbols in different drawings indicates similar or identical items.

DESCRIPTION OF THE PREFERRED
EMBODIMENT(S)

A typical switch-mode DC to DC power converter (hereinafter, "switch-mode converter") controls the output voltage by adjusting a duty cycle of a pulse-width modulated (i.e., PWM) signal. The PWM signal periodically opens and closes one or more switches to build up charge in an inductor. The average output voltage is a function of the duty cycle of the PWM signal, the period of the PWM signal, and the input voltage. One technique for increasing the efficiency (e.g., power out/power in) of a switch-mode converter design includes multiple switch-mode converters (i.e., multiple phase circuits) coupled in parallel to deliver power to a load, which may be a microprocessor or other suitable load. Referring to FIG. 2, multiple phase circuits (e.g., phase circuits 202, 204, 206, and 208) are coupled in parallel to provide an output current (e.g., IOUT) that is the sum of the individual output currents (e.g., I1, I2, I3, and I4) of corresponding phase circuits. An individual phase circuit typically includes a switch circuit portion coupled to a passive circuit portion, e.g., a capacitor and/or an inductor. A controller (e.g., control circuit 201) selectively enables only one of those phase circuits at a time.

The resulting switch-mode converter has improved ripple characteristics (e.g., reduced output ripple voltage ampli-

tude) as compared to a switch-mode converter without multiple phase circuits, but has low output current efficiency. A phase shedding technique improves the efficiency by disabling as many phase circuits as possible in response to a feedback signal indicative of low output current. At high output current, all of the phase circuits are used and conduction loss is a substantial factor in efficiency degradation. However, although at low output current the frequency of the ripple voltage decreases, use of fewer phase circuits increases the amplitude of the output ripple voltage and switch loss substantially degrades efficiency (FIG. 3).

Referring to FIGS. 4 and 5, in at least one embodiment of a switch-mode converter circuit, asymmetric phase circuits are used, i.e., individual phase circuits have different numbers of selectively enabled switch pairs. As referred to herein, a selectively enabled switch circuit or switch pair generates a periodic voltage signal that has a duty cycle between 0% and 100%. Using different phase circuit topologies, a switch-mode converter may be configured to have a first topology (e.g., the topology of mode M1, having one enabled switch pair) that has a particular efficiency at low output current and configured to have a second topology (e.g., one of the topologies of mode M2, having three, five, or seven enabled switch pairs) for a particular efficiency at high output currents. For example, switch-mode converter 400 includes phase circuit 402, which has a one-up, one-down topology (i.e., one high-side switch and one low-side switch) for operating at low output current. Phase circuits 404, 406, and 408 each have a two-up, two-down topology that operates more efficiently at high output currents than the one-up, one-down topology. Phase shedding techniques vary the number of enabled phase circuits (i.e., the number of phase circuits that contribute to the output voltage) in response to a feedback signal indicative of changes in the output current, load, or proxy therefor. For example, the number of enabled phase circuits may be reduced from four, to three, to two, to one, as the output current decreases, thereby reducing a number of enabled switch pairs from seven to five to one. Phase circuit 402, which remains enabled at low output current, includes only one switch pair, as compared to the other additional phase circuits, which are enabled at higher output currents and which include two switch pairs. Note that in other embodiments, different numbers, types, and configurations of switches may be used.

Referring to FIGS. 6 and 7, in at least one embodiment of a switch-mode converter circuit, controller 609 implements a dynamic switch-shedding technique. Individual switch pairs of an individual phase circuit may be selectively enabled or disabled in response to a feedback signal indicative of variations in the output current. For example, rather than disabling an entire phase circuit as current decreases, individual phase circuits remain enabled, but with fewer switch pairs contributing to the output of the switch-mode converter circuit. Phase circuits 601, 603, 605, and 607 each include two switch pairs (e.g., corresponding ones of switch pairs 602, 604, 606, 608, 610, 612, 614, and 616). As the output current decreases, prior to phase shedding, controller 609 effectively downsizes at least one of individual phase circuits 601, 603, 605, and 607 from a first topology with a first number of enabled switches to a second topology having a fewer number of enabled switches.

For example, when configured in a first mode in which all of the phase circuits are enabled and all of the switch pairs of each phase circuit are enabled (e.g., mode M4, having eight enabled switch pairs), as output current decreases, controller 609 selectively disables at least one individual switch pair to configure the switch-mode converter circuit in

a mode having all phase circuits active, but less than all switches of at least one phase circuit enabled, and at least two phase circuits having different numbers of enabled switch pairs (e.g., mode M3, having four enabled phase circuits and seven enabled switch pairs). If output current continues to decrease, controller 609 disables additional switch pairs (e.g., mode M3 having four enabled phase circuits and six enabled switch pairs, then only five enabled switch pairs). Note that all states of mode M3 are asymmetric, i.e., all enabled phase circuits do not include the same numbers of enabled switch pairs, as compared to modes M1, M2, and M4, which are symmetric, i.e., all enabled phase circuits include the same numbers of enabled switch pairs.

If output current continues to decrease, controller 609 disables at least one additional switch pair to configure the switch-mode converter circuit in a mode having all phase circuits active and all phase circuits having the same number of active switch pairs, but less than the total number of switch pairs included in the individual phase circuits (e.g., mode M2, having four enabled phase circuits and four enabled switch pairs, one pair enabled in each phase circuit). If output current continues to decrease, controller 609 may shed phase circuits to enter a mode with less than all phase circuits enabled and less than all available switch pairs enabled in each enabled phase circuit (e.g., mode M1, having three enabled phase circuits with a total of three enabled switch pairs, then two enabled phase circuits with a total of two enabled switch pairs, and then one enabled phase circuit with one enabled switch pair). Note that controller 609 sheds switch pairs prior to shedding phase circuits. In other embodiments of a switch-mode converter circuit, different numbers of switches and/or switch pairs are included in the switch-mode converter circuit and different combinations of switches may be enabled in other combinations of modes.

Referring to FIG. 8, an exemplary control sequence implemented by a controller in a switch-mode converter circuit varies the number of enabled switches and enabled phase circuits of a switch-mode converter circuit consistent with FIGS. 6 and 7, based on a feedback signal indicative of an output current, load, or a proxy therefor. At high output current, the switch-mode converter circuit is configured in mode M4, as described above. If the output current falls below a predetermined current value (804), e.g., I_A , then control circuit 609 sheds at least one switch pair and configures the switch-mode converter circuit in mode M3; otherwise, the switch-mode converter circuit remains in mode M4.

In mode M3 (806), controller 609 uses a switch shedding technique to adjust the number of enabled switches based on the feedback signal indicative of output current, load or a proxy therefor. Note that all phase circuits are enabled in mode M3, but all states have asymmetric topologies. While in mode M3, if the output current falls below a second predetermined current value as indicated by the feedback signal (808), e.g., I_B , then control circuit 609 uses switch shedding to configure the switch-mode converter circuit in mode M2 (812), which has a symmetric topology. While in mode M3, if the output current is not below the second predetermined current value (808) and is greater than the first predetermined current level (810), then controller 609 configures the switch-mode converter circuit in mode M4 by enabling additional switches. Otherwise, the switch-mode converter circuit remains in mode M3.

While in mode M2 (812), all phase circuits are enabled. In mode M2, controller 609 uses phase shedding if the

5

output current falls below a third predetermined current value, thereby transitioning to mode M1. While in mode M2, if the output current is not less than the third predetermined current value (814), and does not exceed the second predetermined current value (816), then the switch-mode converter circuit remains in mode M2. However, while in mode M2, if the output current is not less than the third predetermined current value (814), exceeds the second predetermined current value (816), and does not exceed the first predetermined current value (810), then controller 609 configures the switch-mode converter circuit in mode M3. While in mode M2, if the output current is not less than the third predetermined current value (814), exceeds the second predetermined current value (816), and exceeds the first predetermined current value (810), then controller 609 configures the switch-mode converter circuit in mode M4.

In mode M1, less than all phase circuits are enabled and control circuit 609 adjusts the number of enabled phase circuits based on the feedback signal indicative of the output current, load, or a proxy therefor. While in mode M1, if the output current exceeds the third predetermined current value (820) and does not exceed the second predetermined current value (816), additional phase circuits are enabled and controller 609 configures the switch-mode converter circuit in mode M2. While in mode M1, if the output current exceeds the third predetermined current value (820) and exceeds the second predetermined current value (816), but does not exceed the first predetermined current value (810), controller 609 enables additional phase circuits and additional switches to configure the switch-mode converter circuit in mode M3. While in mode M1, if the output current exceeds the third predetermined current value (820), exceeds the second predetermined current value (816), and exceeds the first predetermined current value (810), controller 609 enables additional phase circuits and additional switches, thereby configuring the switch-mode converter circuit for high output current in mode M4.

While circuits and physical structures are generally presumed, it is well recognized that in modern semiconductor design and fabrication, physical structures and circuits may be embodied in computer-readable descriptive form suitable for use in subsequent design, test or fabrication stages. Structures and functionality presented as discrete components in the exemplary configurations may be implemented as a combined structure or component. The invention is contemplated to include circuits, systems of circuits, related methods, and computer-readable medium encodings of such circuits, systems, and methods, all as described herein, and as defined in the appended claims. As used herein, a computer-readable medium includes at least disk, tape, or other magnetic, optical, semiconductor (e.g., flash memory cards, ROM), or electronic medium.

The description of the invention set forth herein is illustrative, and is not intended to limit the scope of the invention as set forth in the following claims. Variations and modifications of the embodiments disclosed herein may be made based on the description set forth herein, without departing from the scope and spirit of the invention as set forth in the following claims.

What is claimed is:

1. A method of operating a power converter circuit comprising:

[operating a first phase switch circuit portion using a first number of switch devices when the power converter circuit is configured in a first mode of operation, the first number being greater than zero;]

6

operating [the] a first phase switch circuit portion using [the] a first number of switch devices when the power converter circuit is configured in a [second] first mode of operation, *the first number being greater than zero; [and]*

operating a second phase switch circuit portion using a second number of switch devices when the power converter circuit is configured in the [second] first mode of operation, the second number being greater than the first number; *and*

operating the second phase switch circuit portion with the first number of switch devices when the power converter circuit is configured in a second mode of operation.

[2. The method, as recited in claim 1, further comprising: operating the second phase switch circuit portion with the first number of switch devices when the power converter circuit is configured in the first mode of operation.]

3. The method, as recited in claim 1, further comprising: selecting the [first] second mode of operation as a next mode of operation when the power converter circuit is in the [second] first mode of operation and in response to a reduction in output power.

4. The method, as recited in claim 1, further comprising: operating the first phase switch circuit with a third number of devices when the power converter circuit is configured in a third mode of operation, the third number being greater than the first number; and

operating the second phase switch circuit portion with the third number of switch devices in the third mode of operation.

5. The method, as recited in claim 4, further comprising: selecting the [first] second mode of operation as a next mode of operation in response to a reduction in output power and when the power converter circuit is configured in the second mode of operation or the third mode of operation.

6. The method, as recited in claim 1, wherein when the power converter circuit is configured in the [first] second mode of operation, the second phase switch circuit is configured to be inoperable.

7. The method, as recited in claim 1, wherein the first mode is a low power mode and the second mode is a higher power mode.

8. The method, as recited in claim 1, wherein efficiency of the first phase switch circuit is greater than efficiency of the second phase switch circuit for a low output current mode and the efficiency of the second phase switch circuit is greater than the efficiency of the first phase switch circuit for a high output current mode.

9. The method, as recited in claim 1, further comprising: selecting a mode of operation at least partially based on a feedback signal, the mode of operation being selected from a plurality of modes of operation including at least the first [and second modes] mode of operation.

10. [The method, as recited in claim 1, further comprising:] *A method of operating a power converter circuit comprising:*

operating a first phase switch circuit portion using a first number of switch devices when the power converter circuit is configured in a first mode of operation, the first number being greater than zero;

operating a second phase switch circuit portion using a second number of switch devices when the power

7

converter circuit is configured in the first mode of operation, the second number being greater than the first number; and

reducing a total number of active switch pairs in the power converter circuit prior to reducing [the] a number of active phase switch circuit portions in response to an increasing reduction in output power.

11. The method, as recited in claim 1, further comprising: allocating current to individual phase switch circuit portions at least partially based on a selected mode of operation of the power converter circuit.

12. A method of operating a *multi-phase switched* power converter circuit comprising:

selectively disabling at least one switch device of a plurality of switch devices in a corresponding phase circuit of a plurality of phase circuits, at least partially based on a signal indicative of a load coupled to the power converter circuit,

wherein the at least one switch device of the corresponding phase circuit is selectively disabled while at least one other switch device of the corresponding phase circuit is selectively enabled; and

reducing a total number of active switch pairs in the power converter circuit prior to reducing a number of active phase switch circuit portions in response to an increasing reduction in output power.

13. The method, as recited in claim 12, wherein [the] selectively enabled switch devices form an asymmetric power converter circuit including at least one phase switch circuit portion having a different number of enabled switch devices than at least one other phase switch circuit portion of the plurality of phase switch circuit portions.

[14. The method, as recited in claim 12, wherein the power converter circuit is configured to reduce a total number of active switch pairs in the power converter circuit prior to reducing the number of active phase switch circuit portions in response to an increasing reduction in output power.]

15. The method, as recited in claim 12, further comprising:

distributing current provided by the power converter circuit to individual phase switch circuit portions according to a number of devices selectively disabled in individual phase switch circuit portions.

16. An apparatus comprising:

a power converter circuit portion comprising:

a first phase switch circuit portion configured to operate using a first number of switch devices when the power converter circuit is configured in a first mode of operation, the first number being greater than zero and configured to operate using the first number of switch devices when the power converter circuit is configured in a second mode of operation; and

at least a second phase switch circuit portion configured to operate using a second number of switch devices when the power converter circuit is configured in the second mode of operation, the second number being greater than the first number;

wherein the second phase switch circuit portion is configured to operate using the first number of switch devices when the power converter circuit is configured in the first mode of operation.

[17. The apparatus, as recited in claim 16, wherein the second phase switch circuit portion is configured to operate

8

using the first number of switch devices when the power converter circuit is configured in the first mode of operation.]

18. [The apparatus, as recited in claim 16.] *An apparatus comprising:*

a power converter circuit portion comprising:

a first phase switch circuit portion configured to operate using a first number of switch devices when the power converter circuit is configured in a first mode of operation, the first number being greater than zero and configured to operate using the first number of switch devices when the power converter circuit is configured in a second mode of operation; and

at least a second phase switch circuit portion configured to operate using a second number of switch devices when the power converter circuit is configured in the second mode of operation, the second number being greater than the first number;

wherein the first phase switch circuit is configured to operate with a third number of devices when the power converter circuit *portion* is configured in a third mode of operation, the third number being greater than the first number, and

wherein the second phase switch circuit *portion* is configured to operate with the third number of switch devices when the power converter circuit is configured in the third mode of operation.

19. The apparatus, as recited in claim 16, wherein the second phase switch circuit *portion* is configured to be inoperable when the power converter circuit is configured in the first mode of operation.

20. The apparatus, as recited in claim 16, wherein the first mode of operation is a low power mode and the second mode of operation is a higher power mode.

21. The apparatus, as recited in claim 16, wherein efficiency of the first phase switch circuit is greater than efficiency of the second phase switch circuit *portion* for a low output current and the efficiency of the second phase switch circuit *portion* is greater than the efficiency of the first phase switch circuit *portion* for a high output current.

22. The apparatus, as recited in claim 16, further comprising:

a controller circuit portion configured to select a mode of operation at least partially based on a feedback signal, the mode of operation being selected from a plurality of modes of operation including at least the first and second modes of operation; and

a node coupled to a first phase circuit comprising the first phase switch circuit and coupled to a second phase circuit comprising the second phase switch circuit *portion*, the node being configured to deliver power to a load.

23. The apparatus, as recited in claim 22, wherein the controller circuit is configured to select [a] *the* mode of operation with a reduced total number of active switch pairs in the power converter circuit prior to selecting [a] *the* mode of operation with a reduced number of active phase switch circuit portions in response to an increasing reduction in output power.

24. *The method, as recited in claim 1, further comprising: operating the first phase switch circuit portion using the first number of switch devices when the power converter circuit is configured in the second mode of operation, the first number being greater than zero.*

* * * * *

UNITED STATES PATENT AND TRADEMARK OFFICE
CERTIFICATE OF CORRECTION

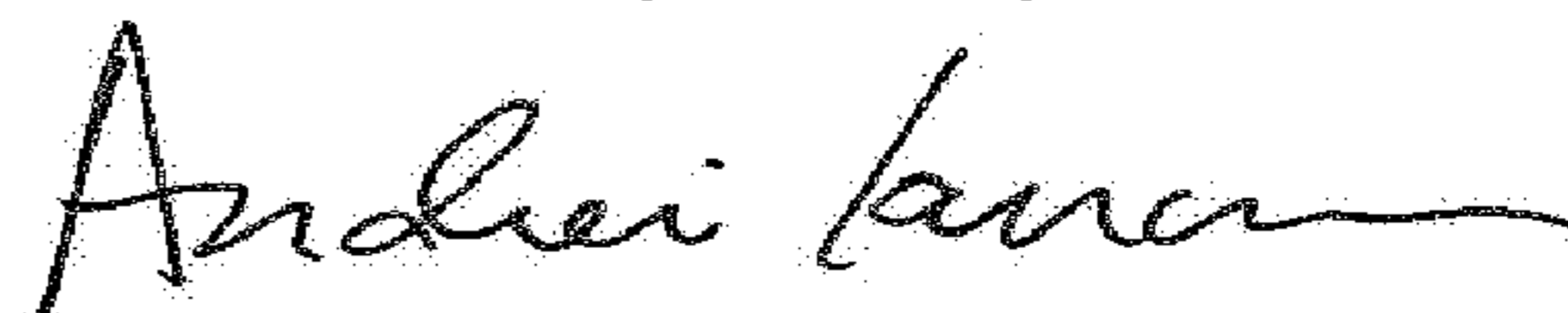
PATENT NO. : RE46,256 E
APPLICATION NO. : 13/902145
DATED : December 27, 2016
INVENTOR(S) : Peter Thomas Hardman, Erwin Pang and Sanjiv K. Lakhanpal

Page 1 of 1

It is certified that error appears in the above-identified patent and that said Letters Patent is hereby corrected as shown below:

Column 6, Line 27, in Claim 4 please change “operating the firs: phase switch circuit with a third number” to --operating the first phase switch circuit with a third number--

Signed and Sealed this
First Day of May, 2018



Andrei Iancu
Director of the United States Patent and Trademark Office

UNITED STATES PATENT AND TRADEMARK OFFICE
CERTIFICATE OF CORRECTION

PATENT NO. : RE46,256 E
APPLICATION NO. : 13/902145
DATED : December 27, 2016
INVENTOR(S) : Peter Thomas Hardman, Erwin Pang and Sanjiv K. Lakhanpal

Page 1 of 1

It is certified that error appears in the above-identified patent and that said Letters Patent is hereby corrected as shown below:

In the Claims

At Column 7, Line 50, replace “power converter circuit” with --power converter circuit portion--.

At Column 7, Line 53, replace “power converter circuit” with --power converter circuit portion--.

At Column 7, Line 57, replace “power converter circuit” with --power converter circuit portion--.

At Column 7, Line 62, replace “power converter circuit” with --power converter circuit portion--.

At Column 8, Line 9, replace “power converter circuit” with --power converter circuit portion--.

At Column 8, Line 12, replace “power converter circuit” with --power converter circuit portion--.

At Column 8, Line 16, replace “power converter circuit” with --power converter circuit portion--.

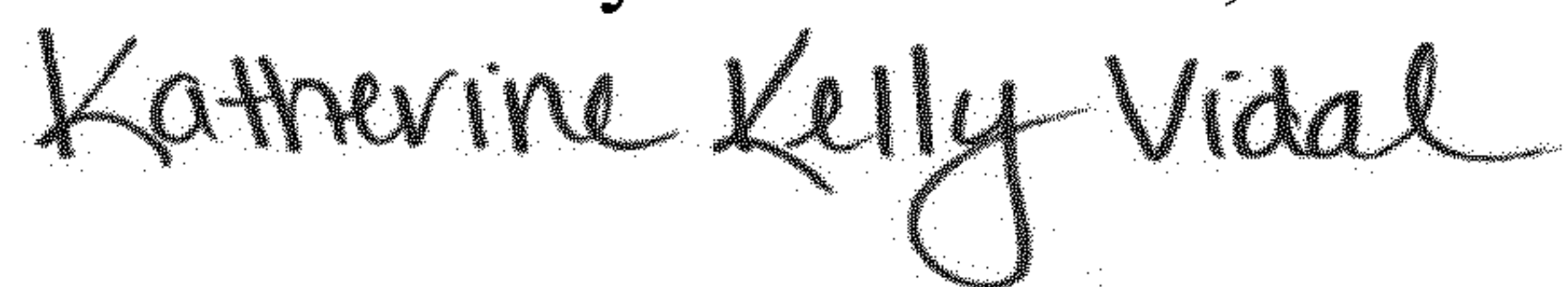
At Column 8, Line 19, replace “phase switch circuit” with --phase switch circuit portion--.

At Column 8, Line 20, replace “third number of devices” with --third number of switch devices--.

At Column 8, Line 26, replace “power converter circuit” with --power converter circuit portion--.

At Column 8, Line 30, replace “power converter circuit” with --power converter circuit portion--.

Signed and Sealed this
Twentieth Day of December, 2022



Katherine Kelly Vidal
Director of the United States Patent and Trademark Office