

US00RE46246E

(19) **United States**  
(12) **Reissued Patent**  
**Wagner et al.**

(10) **Patent Number:** **US RE46,246 E**  
(45) **Date of Reissued Patent:** **Dec. 27, 2016**

(54) **STORAGE TOTE HAVING LEGS**

(71) Applicant: **Western Industries, Inc.**, Watertown, WI (US)

(72) Inventors: **Charles E. Wagner**, Coweta, OK (US); **Scott M. Herndon**, Arkansas City, KS (US); **David L. Barthuly**, Winfield, KS (US)

(73) Assignee: **Western Industries, Inc.**, Watertown, WI (US)

(21) Appl. No.: **29/474,766**

(22) Filed: **Jan. 16, 2015**

**Related U.S. Patent Documents**

Reissue of:

(64) Patent No.: **Des. 701,734**  
Issued: **Apr. 1, 2014**  
Appl. No.: **29/436,886**  
Filed: **Nov. 9, 2012**

U.S. Applications:

(63) Continuation of application No. 13/276,777, filed on Oct. 19, 2011, now Pat. No. 8,844,950.

(51) **LOC (10) Cl.** ..... **07-01**

(52) **U.S. Cl.**  
USPC ..... **D7/605**

(58) **Field of Classification Search**  
USPC ..... D7/605; D3/273, 274; D6/708, 708.16, D6/709, 709.2; D34/12, 17, 23, 24, 27; 108/11, 14, 77; 280/28, 29, 30, 12, 37, 280/38, 47.24, 47.21, 47.17, 47.23, 47.33, 280/47.2, 79.2, 655, 645, 655.1, 652, 638; 62/457.1-457.9, 371, 372; 190/12 R, 11, 190/18 A, 18 R

(Continued)

(56) **References Cited**

**U.S. PATENT DOCUMENTS**

2,603,500 A \* 7/1952 Messier ..... 280/43.24  
2,663,391 A \* 12/1953 Kuhns ..... 190/12 R

(Continued)

Primary Examiner — Darlington Ly

(74) Attorney, Agent, or Firm — Boyle Fredrickson, S.C.

(57) **CLAIM**

The ornamental design for a storage tote having legs, as shown and described.

**DESCRIPTION**

FIG. 1 is [an isometric] *a front perspective view of a storage tote having legs with the legs extended*, embodying a new design;

FIG. 2 is [an isometric] *a front view of the storage tote having legs of FIG. 1 [showing the legs in a folded position]*; FIG. 3 is a rear [elevation] view, *opposite FIG. 2*, of the storage tote having legs of FIG. 1;

FIG. 4 is *a front perspective view of the storage tote having legs of FIG. 1 with the legs in the folded position*;

FIG. [4] 5 is a [front elevation] *rear view of the storage tote having legs of FIG. [1] 4*;

FIG. [5] 6 is [an end elevation] *a front view, opposite FIG. 5*, of the storage tote having legs of FIG. [1] 4;

FIG. [6] 7 is [an opposite end elevation] *a side view of the storage tote having legs of FIG. 1*;

FIG. [7] 8 is a [rear elevation] *side view of the storage tote having legs [as shown in] of FIG. [2] 4; [and]*

FIG. [8] 9 is [an end elevation] *a side view, opposite FIG. 8*, of the storage tote having legs [as shown in] of FIG. [2.] 4;

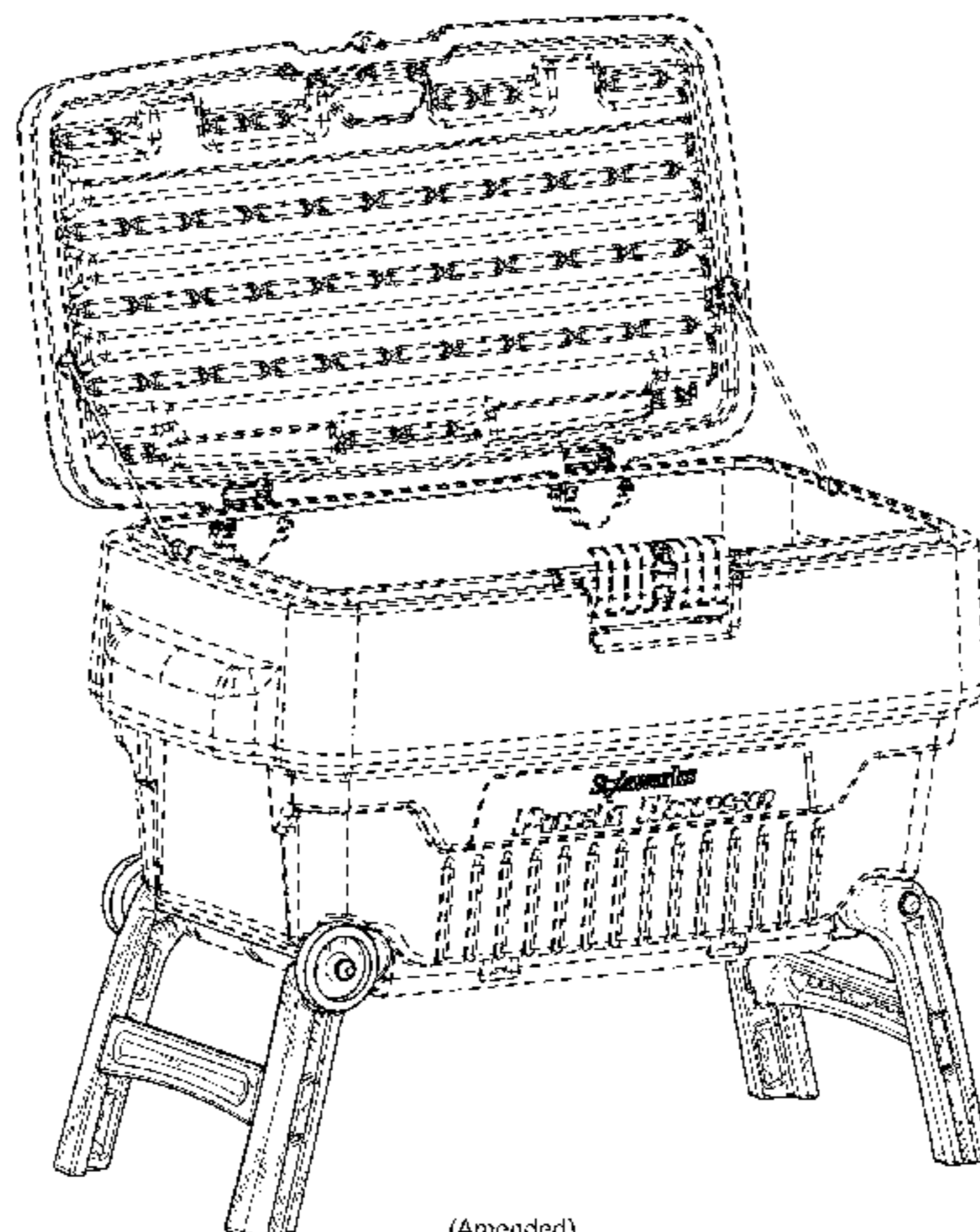
FIG. 10 is *a sectional view of FIG. 6 taken along line 10-10 of the storage tote having legs of FIG. 1; and,*

FIG. 11 is *a sectional view of FIG. 5 taken along line 11-11 of the storage tote having legs of FIG. 4.*

The broken lines shown in the drawings [are for illustrative purposes only and] *illustrate portions of the storage tote having legs that form no part of the claimed design.*

**1 Claim, 11 Drawing Sheets**

**Matter enclosed in heavy brackets [ ] appears in the original patent but forms no part of this reissue; matter printed in italics indicates the additions made by reissue.**



(Amended)

# US RE46,246 E

Page 2

(58) **Field of Classification Search**

CPC ..... B25H 1/04; B25H 1/12; B25H 3/02;  
B62B 1/20

See application file for complete search history.

(56) **References Cited**

U.S. PATENT DOCUMENTS

2,956,849 A \* 10/1960 Dow ..... 108/14  
3,009,750 A \* 11/1961 Hendricks ..... 108/11  
D212,440 S \* 10/1968 Cannon ..... D7/313  
3,608,600 A 9/1971 Lehrman  
3,873,114 A 3/1975 Brown  
4,049,091 A \* 9/1977 Chubb ..... 190/18 R  
4,581,902 A \* 4/1986 Starck et al. .... 190/11  
D302,922 S \* 8/1989 Carlson ..... D7/605  
4,934,549 A 6/1990 Allen  
5,082,301 A \* 1/1992 Schumacher et al. .... 280/38  
5,240,264 A 8/1993 Williams  
5,249,438 A 10/1993 Rhaney et al.  
5,285,656 A 2/1994 Peters  
5,480,170 A 1/1996 Kaiser, III  
D368,387 S \* 4/1996 Bureau ..... D6/686  
5,551,558 A 9/1996 Bureau  
D379,887 S \* 6/1997 Muller-Deisig et al. .... D6/644  
5,730,282 A 3/1998 Bureau  
D421,696 S \* 3/2000 Hendrix ..... D7/605  
6,068,355 A \* 5/2000 Thorp ..... 190/11  
6,129,180 A \* 10/2000 Brady ..... 182/186.4  
6,161,486 A \* 12/2000 Boots ..... 108/33  
D437,736 S \* 2/2001 Moffett et al. .... D7/605  
6,213,265 B1 \* 4/2001 Wang ..... 190/11  
6,216,488 B1 \* 4/2001 Rucker ..... 62/457.7  
6,257,229 B1 7/2001 Stewart et al.

D448,624 S \* 10/2001 Moffett et al. .... D7/605  
D448,625 S \* 10/2001 Moffett et al. .... D7/605  
6,328,179 B1 12/2001 Conrado et al.  
D467,453 S \* 12/2002 Kwon ..... D6/499  
6,612,127 B2 \* 9/2003 Simmons ..... 62/457.2  
6,739,150 B2 \* 5/2004 Mompo Garcia ..... 62/457.7  
6,814,333 B1 \* 11/2004 Freiburger ..... 248/150  
D506,887 S \* 7/2005 McDiarmid ..... D6/648.1  
D514,891 S \* 2/2006 Garcia et al. .... D7/605  
D520,305 S \* 5/2006 Brodock et al. .... D7/605  
7,143,601 B1 \* 12/2006 Jimenez ..... 62/457.7  
7,156,273 B2 1/2007 Morris  
7,249,771 B1 7/2007 Brennan et al.  
7,341,164 B2 3/2008 Barquist et al.  
7,360,784 B2 4/2008 Stewart et al.  
D580,232 S \* 11/2008 Lee ..... D7/606  
7,451,709 B2 11/2008 Swartfager et al.  
D591,562 S \* 5/2009 Lee ..... D7/606  
7,604,290 B1 10/2009 Giordano  
7,607,630 B2 10/2009 Jung et al.  
7,658,388 B1 \* 2/2010 Rodriguez et al. .... 280/30  
7,708,160 B2 5/2010 Booth et al.  
D622,518 S 8/2010 Jordan  
7,766,179 B2 8/2010 George et al.  
7,845,653 B2 12/2010 Katz  
7,896,451 B2 3/2011 Walsh  
7,954,183 B2 6/2011 Cawthon  
D641,186 S \* 7/2011 Martin et al. .... D6/495  
D651,430 S \* 1/2012 Martin et al. .... D6/708  
D701,734 S \* 4/2014 Wagner et al. .... D7/605  
8,882,064 B2 \* 11/2014 Gregg et al. .... 248/164  
2004/0182381 A1 \* 9/2004 Yeh ..... 126/25 R  
2006/0065665 A1 \* 3/2006 Swartfager et al. .... 220/592.2  
2009/0266833 A1 10/2009 Savage et al.  
2011/0315695 A1 12/2011 Fuqua

\* cited by examiner

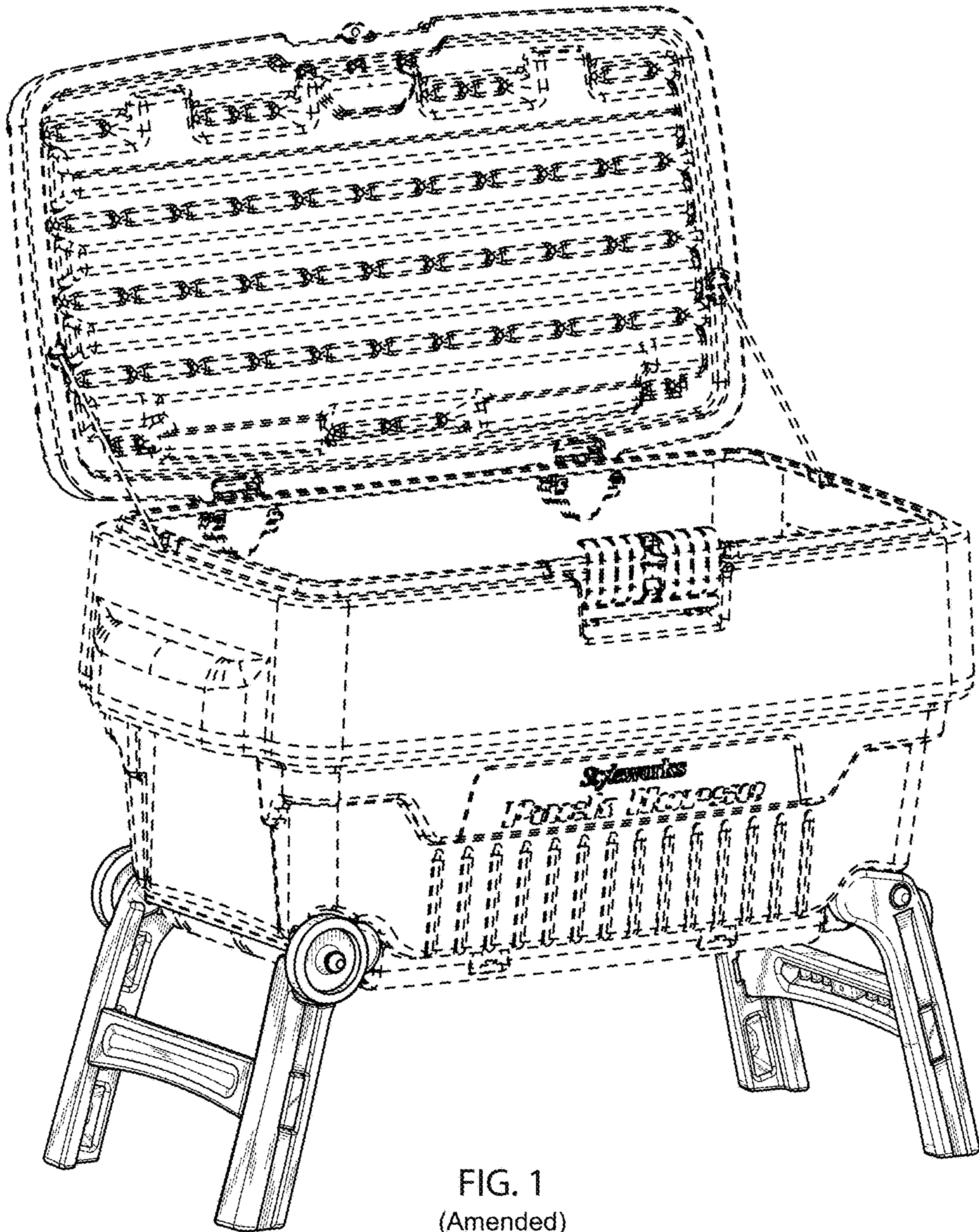


FIG. 1  
(Amended)

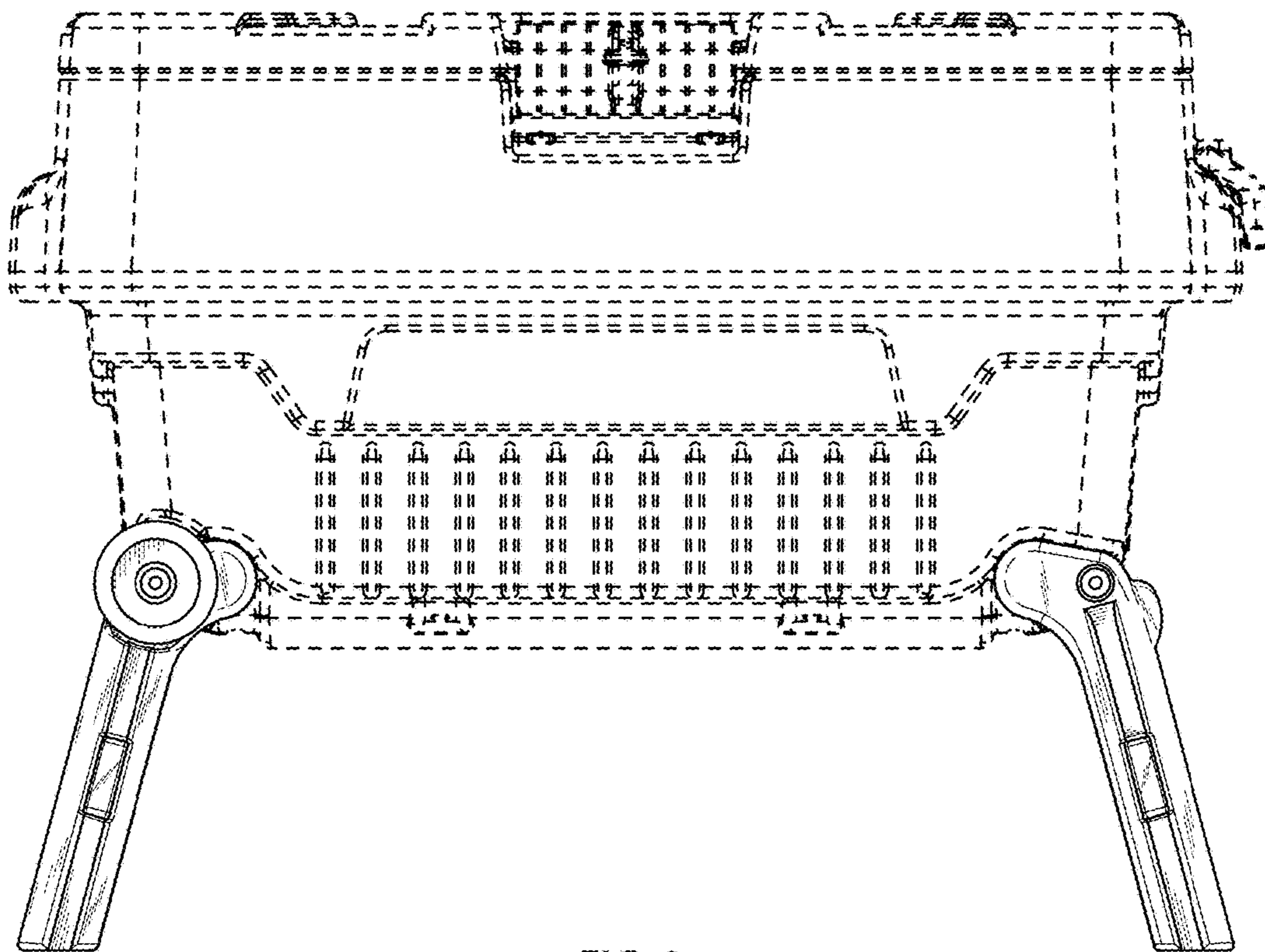


FIG. 2  
(Amended)

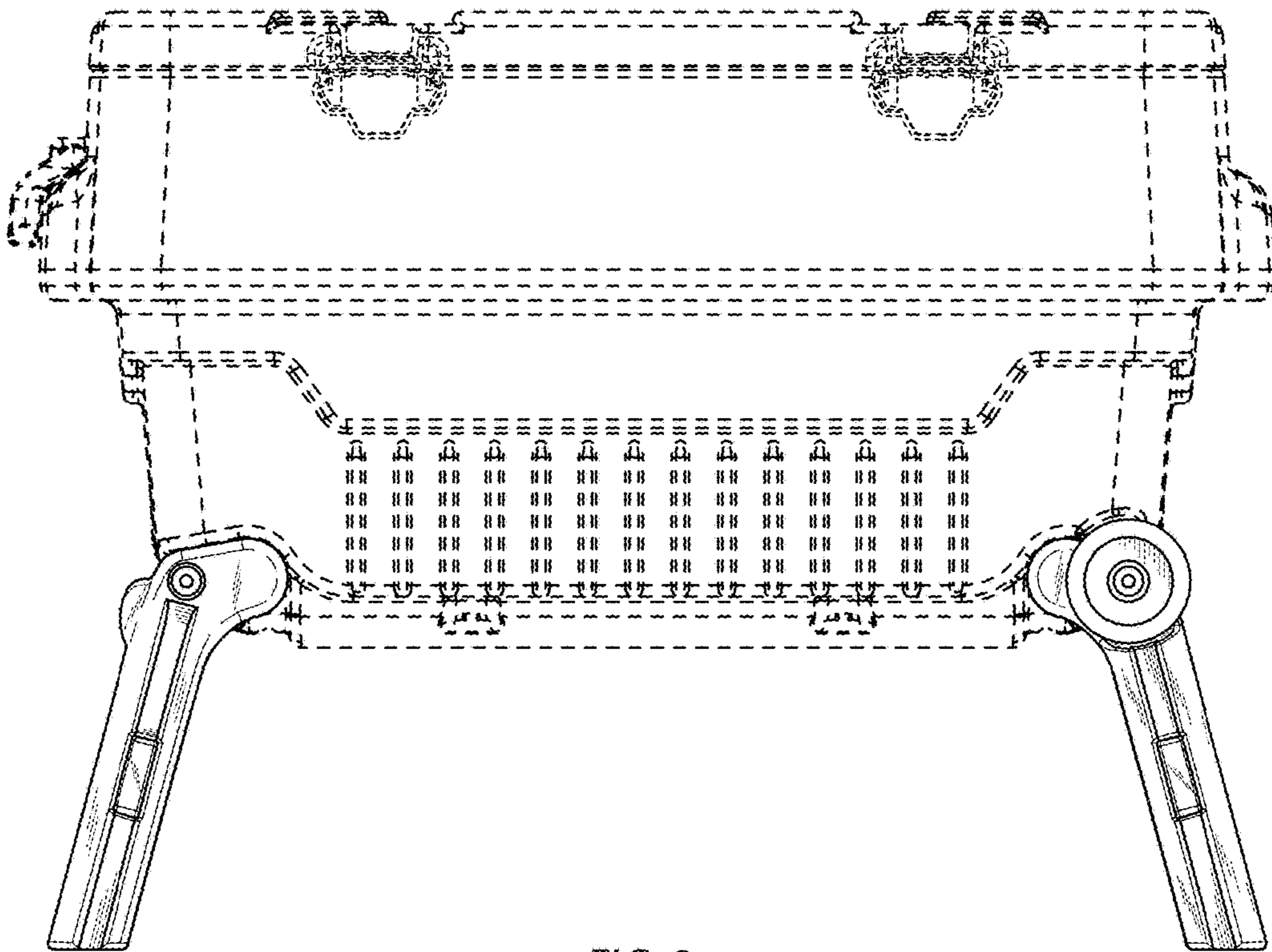


FIG. 3  
(Amended)

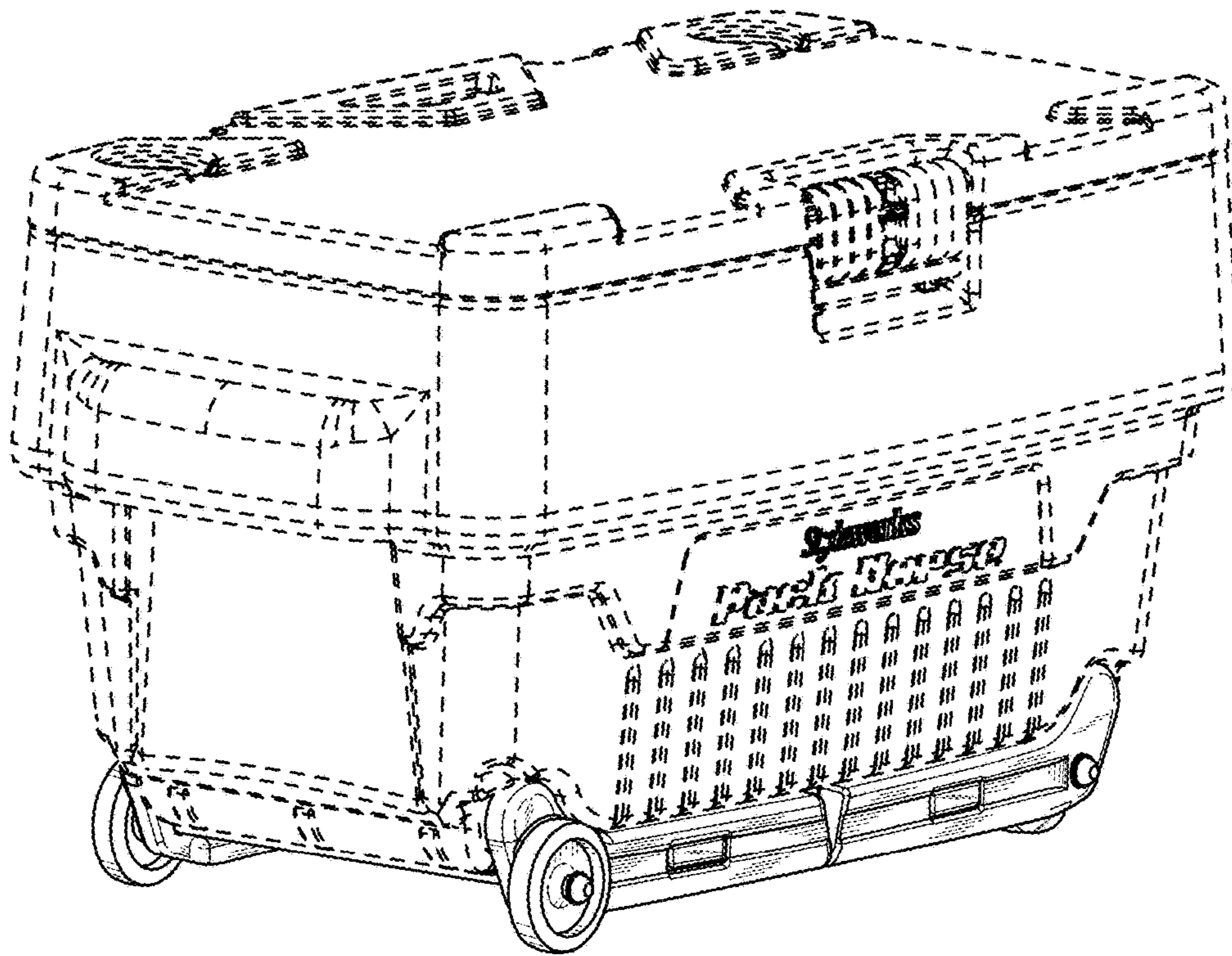


FIG. 4  
(New)

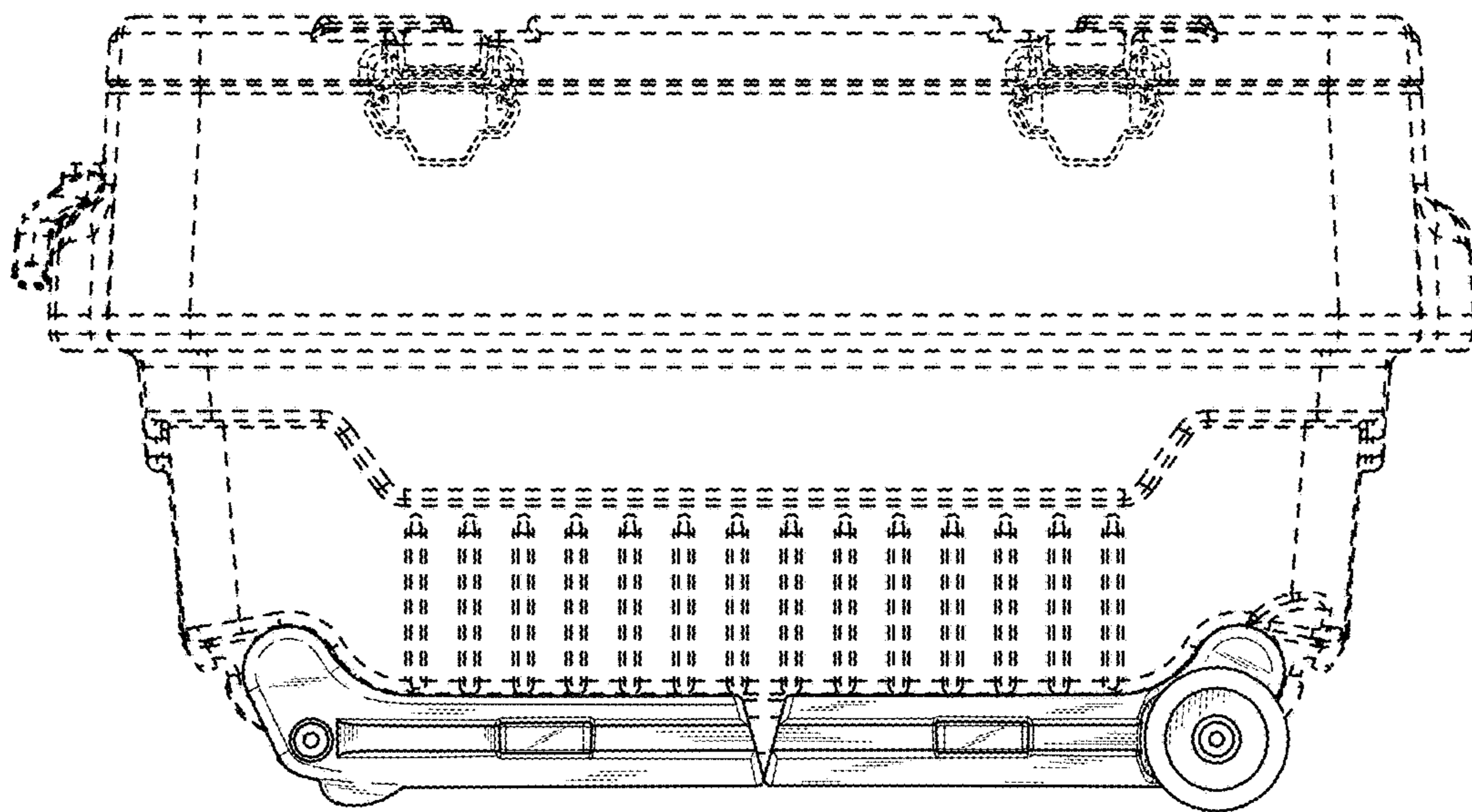


FIG. 5  
(Amended)

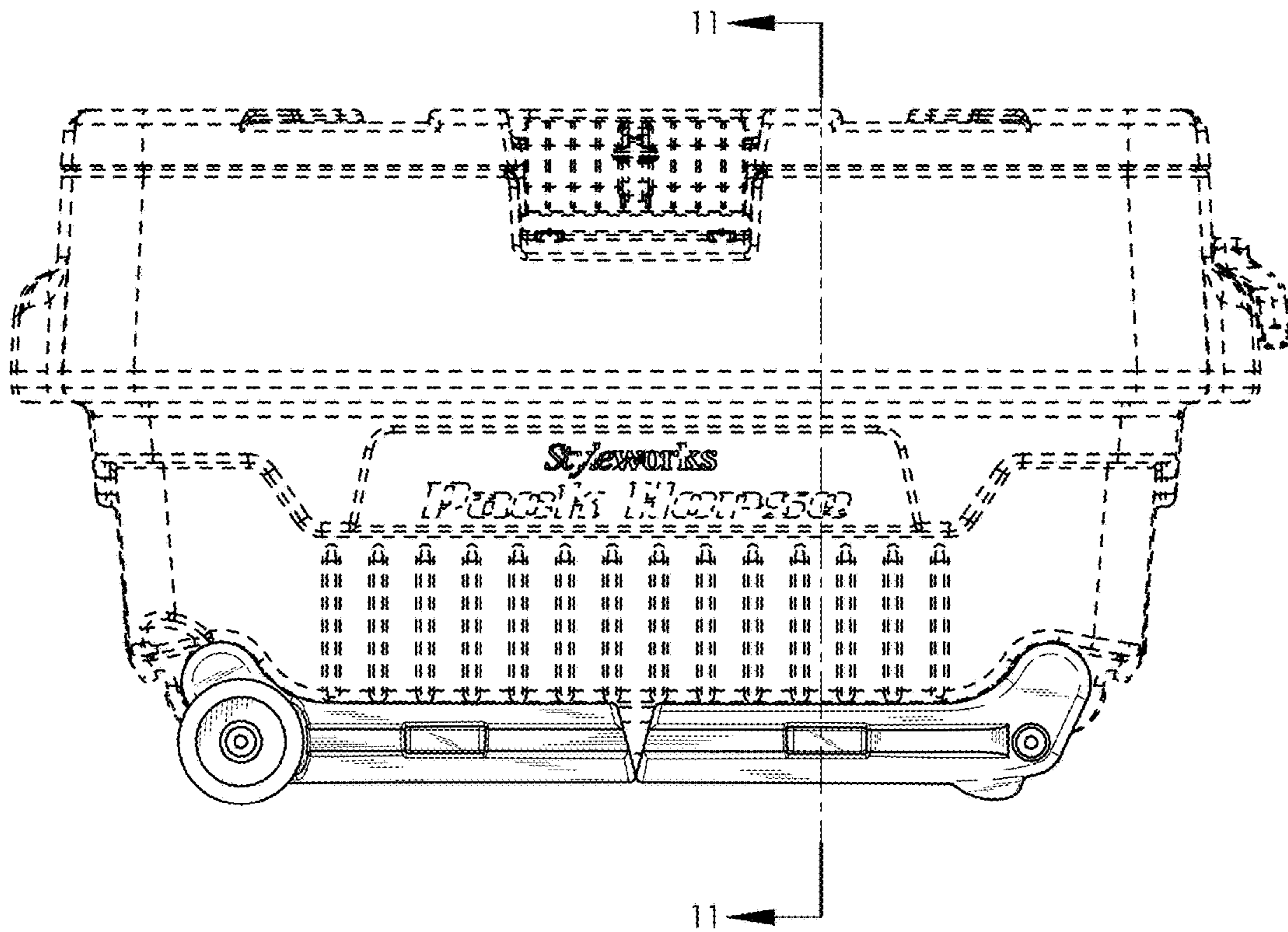


FIG. 6  
(Amended)



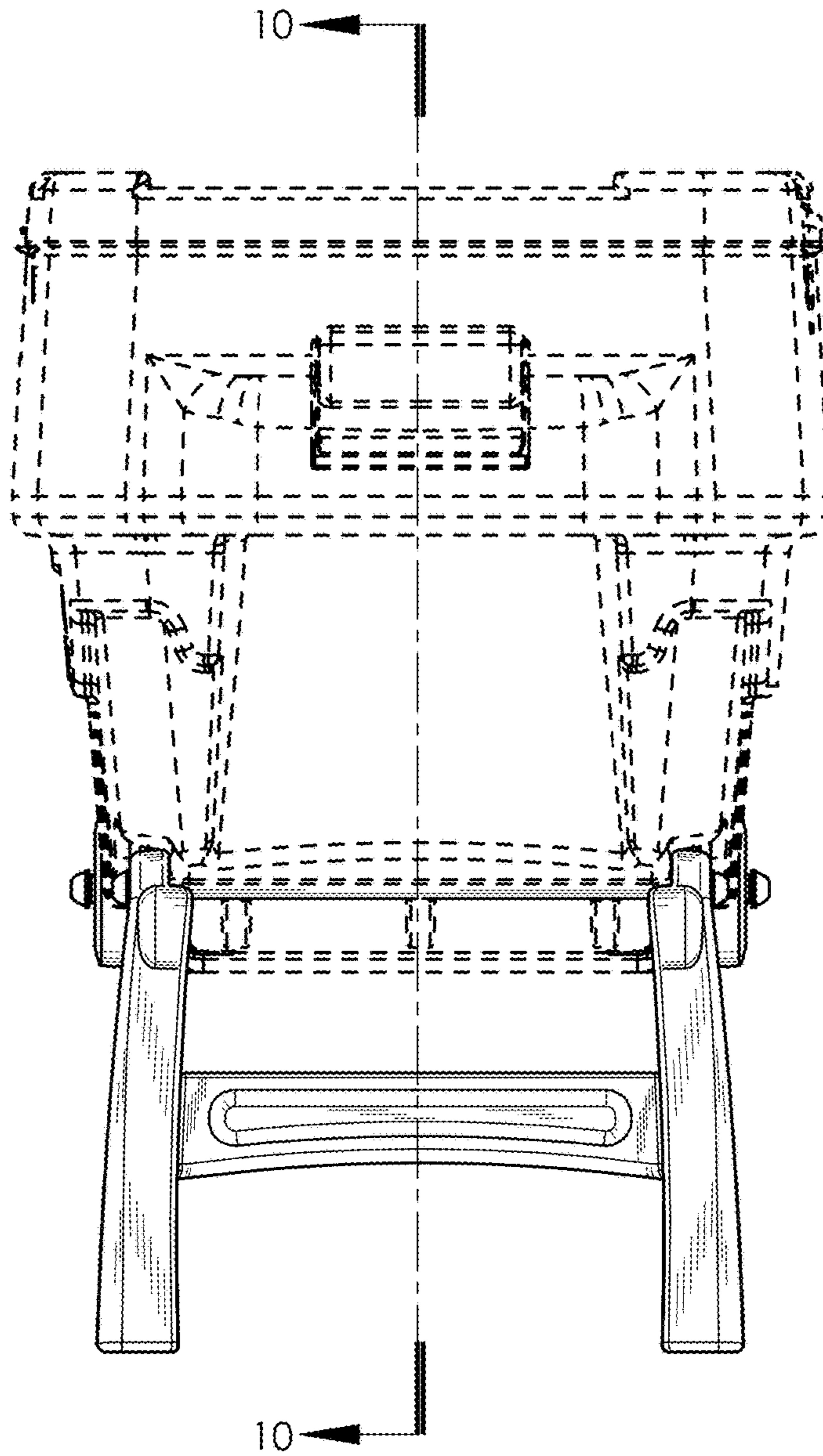


FIG. 7  
(Amended)

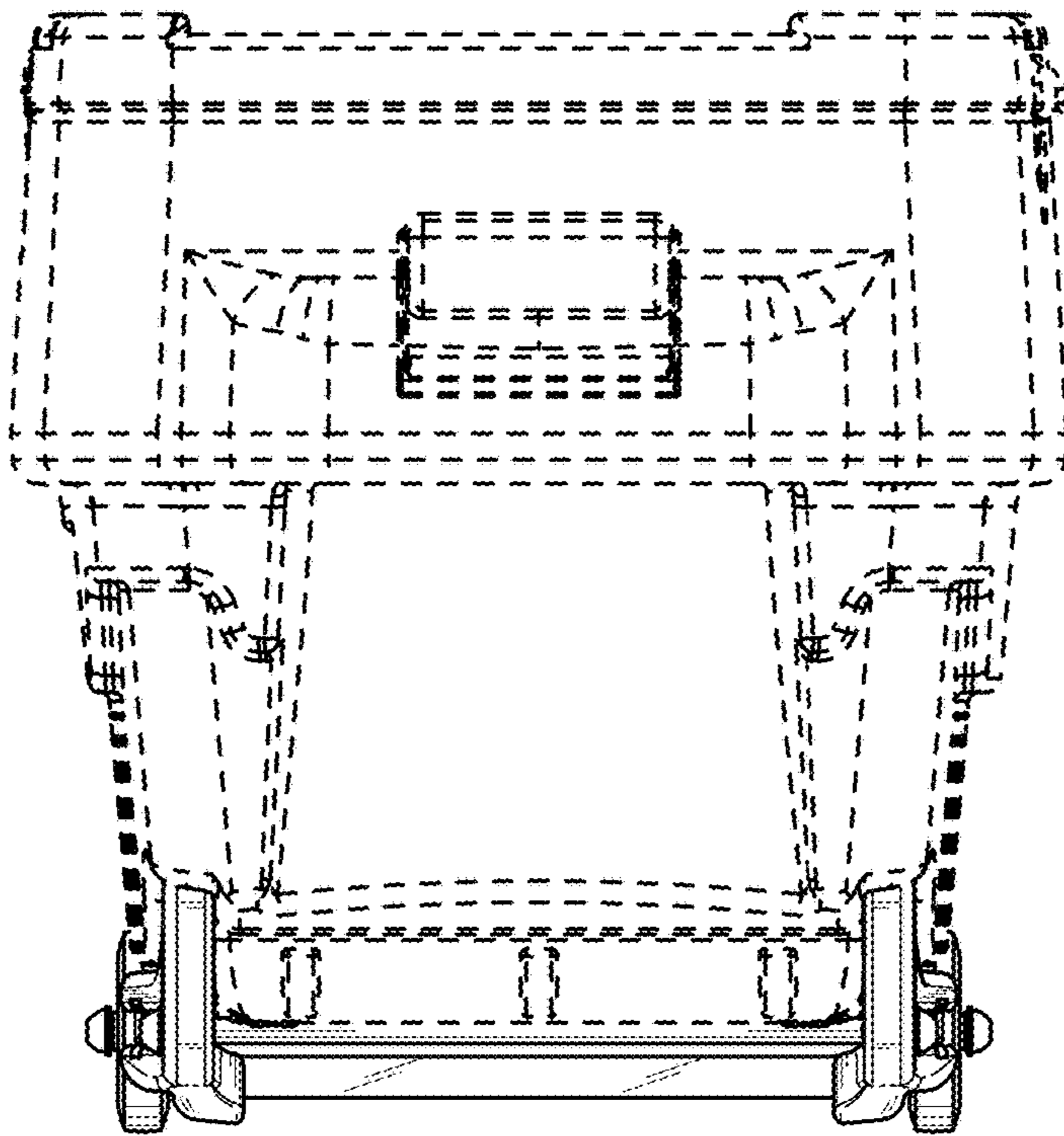


FIG. 8  
(Amended)

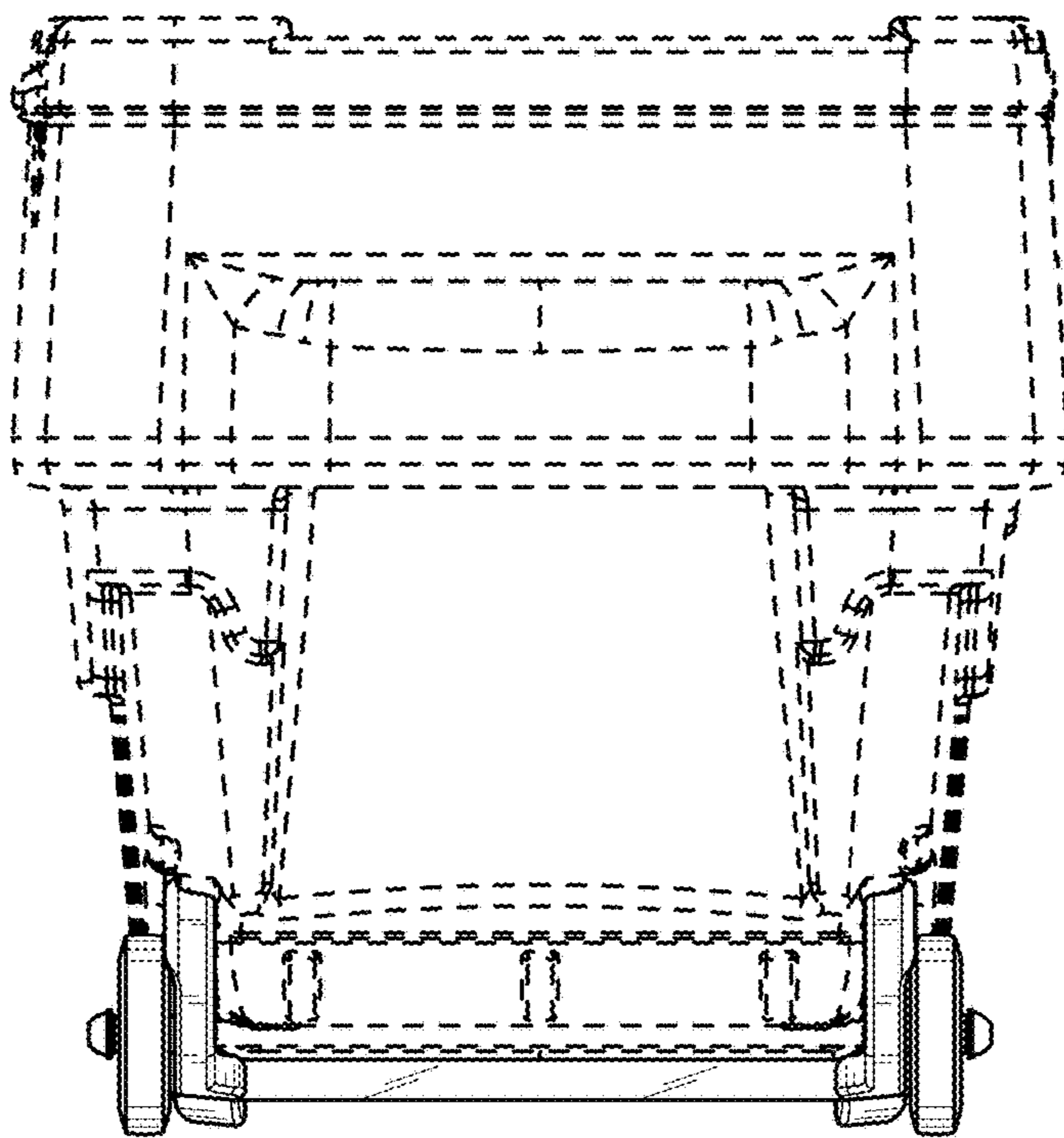


FIG. 9  
(New)

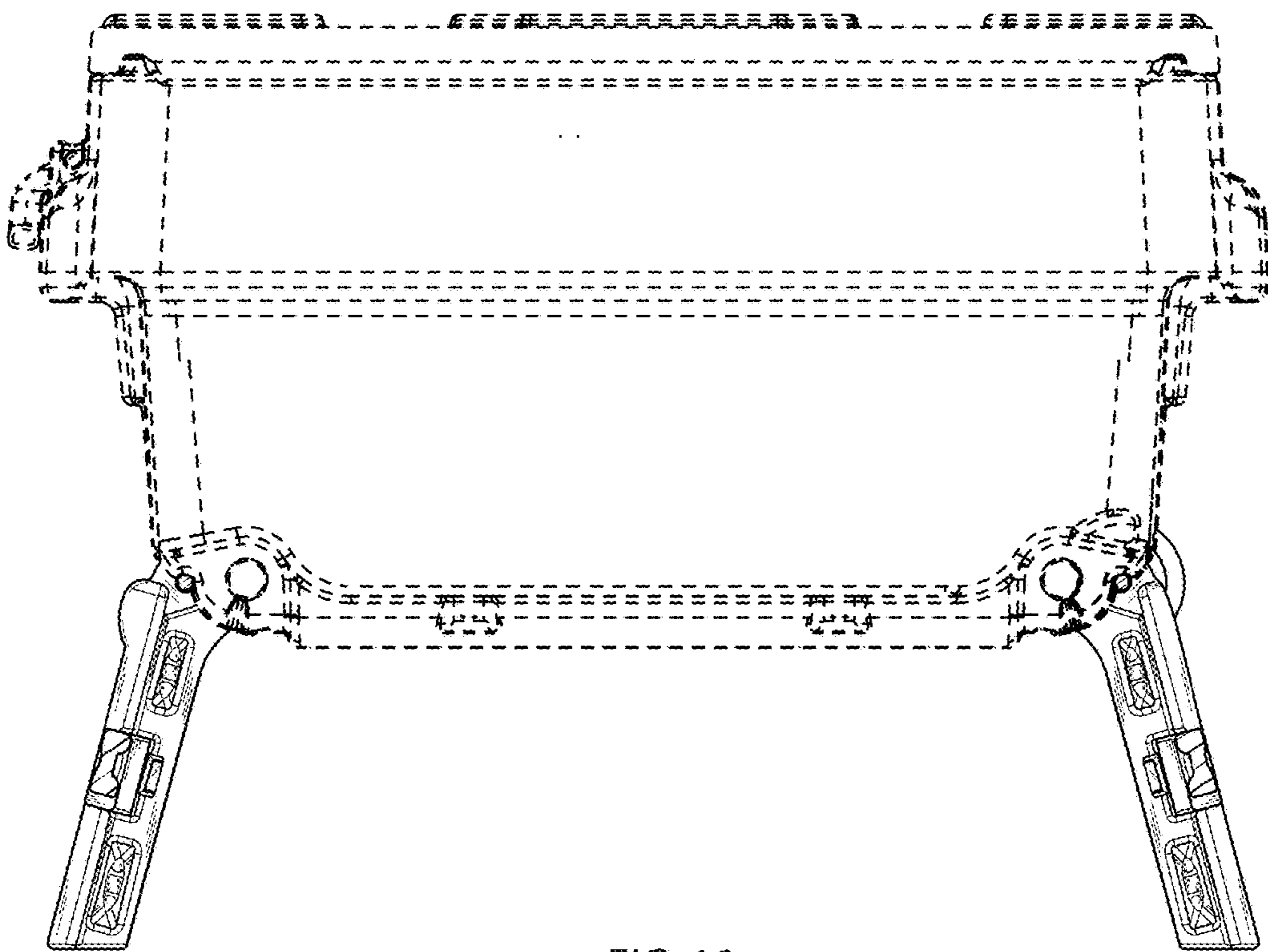


FIG. 10  
(New)

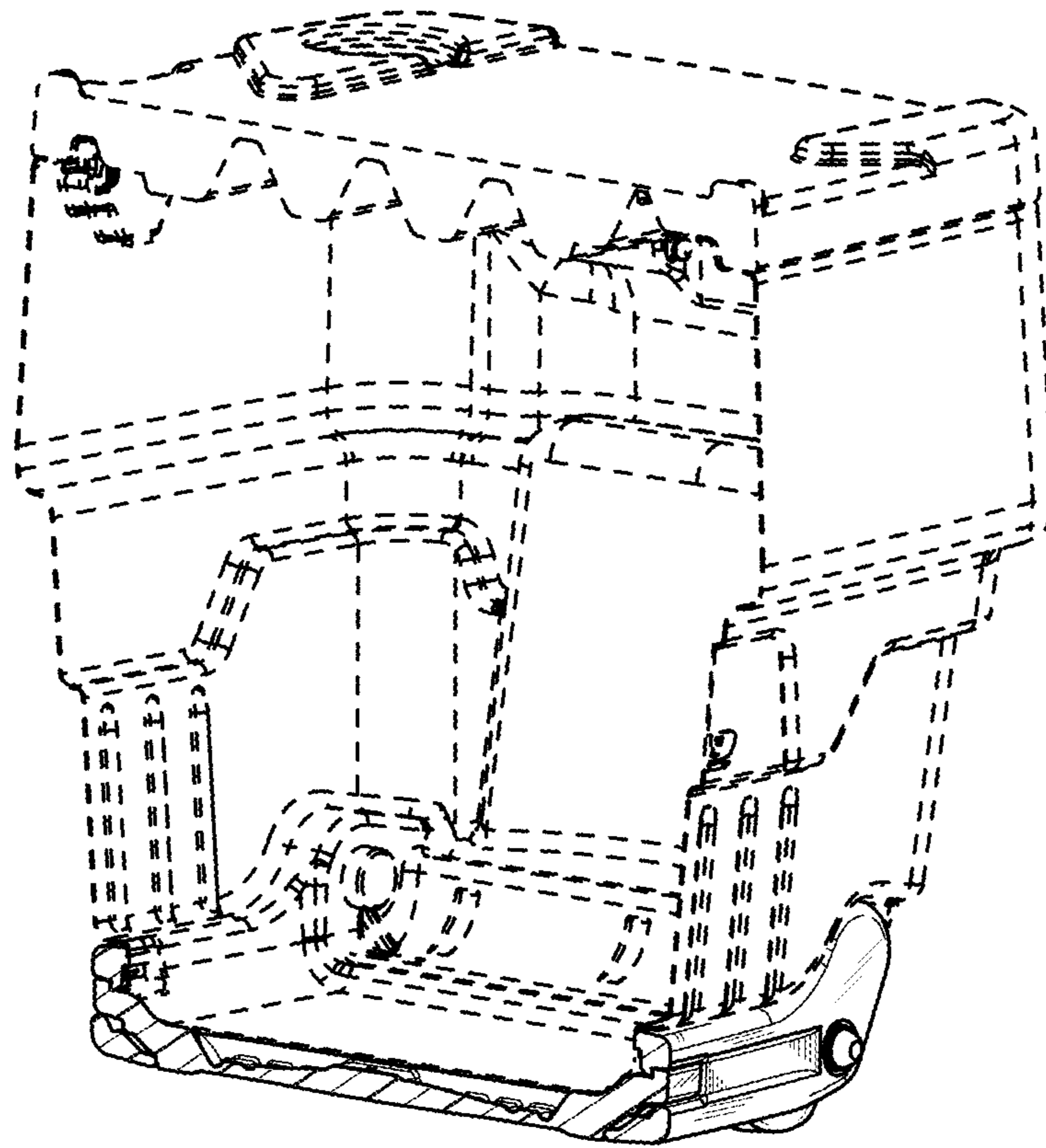


FIG. 11  
(New)