

US00RE46216E

(19) **United States**
(12) **Reissued Patent**
Kroll

(10) **Patent Number: US RE46,216 E**
(45) **Date of Reissued Patent: Nov. 29, 2016**

(54) **CROSS-SHAPED DISPLAY STAND**
(71) Applicant: **William F. Kroll**, Boca Raton, FL (US)
(72) Inventor: **William F. Kroll**, Boca Raton, FL (US)
(21) Appl. No.: **29/528,333**
(22) Filed: **May 28, 2015**

D379,330 S * 5/1997 Krizan D11/96
D402,586 S * 12/1998 Johnson D11/131
D408,653 S * 4/1999 Dotson et al. D6/450
D412,461 S * 8/1999 McGrew D11/122
6,082,880 A * 7/2000 Nerlino A47G 33/02
362/121

(Continued)

Primary Examiner — Phillip S Hyder
(74) *Attorney, Agent, or Firm* — Mark D. Bowen; Malin
Haley DiMaggio & Bowen, P.A.

Related U.S. Patent Documents

Reissue of:

(64) Patent No.: **Des. 659,430**
Issued: **May 15, 2012**
Appl. No.: **29/400,193**
Filed: **Aug. 24, 2011**

(57) **CLAIM**
The ornamental design for a cross-shaped display stand, as shown and described.

U.S. Applications:

(62) Division of application No. 29/474,050, filed on May 13, 2014, now Pat. No. Re. 45,546, which is an application for the reissue of Pat. No. Des. 659,430.
(51) **LOC (10) Cl.** **06-04**
(52) **U.S. Cl.**
USPC **D6/450**
(58) **Field of Classification Search**
USPC D6/300–314, 674; D20/15; D11/157,
D11/125, 122; D99/5, 23, 27; D26/4, 94
CPC A47G 33/02; A47G 33/00
See application file for complete search history.

DESCRIPTION

FIG. 1 is a front perspective view of a cross-shaped display stand in accordance with the present invention;
FIG. 2 is a bottom perspective view thereof;
FIG. 3 is a front elevation view thereof;
FIG. 4 is a side elevation view thereof, with the opposing side elevation view being identical;
FIG. 5 is a top plan view thereof; [and,]
FIG. 6 is a bottom plan view thereof[.];
FIG. 7 is a front perspective view of another embodiment of the cross-shaped display stand;
FIG. 8 is a bottom perspective view thereof;
FIG. 9 is a front elevation view thereof;
FIG. 10 is a side elevation view thereof, with the opposing side elevation view being identical;
FIG. 11 is a top plan view thereof; and,
FIG. 12 is a bottom plan view thereof.
The dot-dash broken lines in FIGS. 1 through 12 represent the boundaries between claimed and non-claimed subject matter.

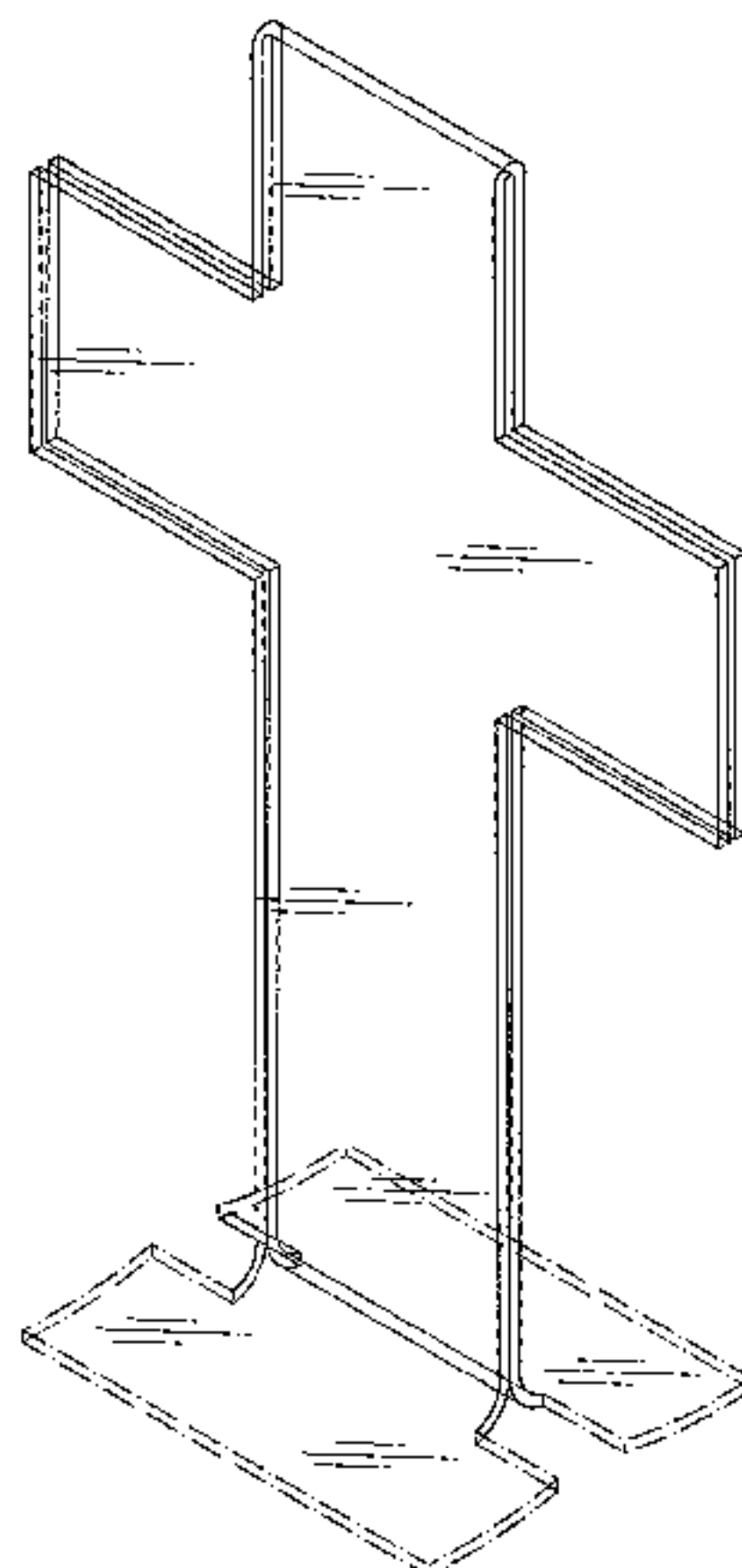
(56) **References Cited**

U.S. PATENT DOCUMENTS

D67,289 S 5/1925 Ladewich
D103,027 S * 2/1937 Slattery D99/27
D137,421 S * 3/1944 Rasmussen D99/23
D159,891 S * 8/1950 Chevalier D99/27
D160,900 S * 11/1950 Suhren D6/450
D168,686 S * 1/1953 Hunter D6/450
D256,398 S 8/1980 Mitchell
D338,081 S * 8/1993 Klaffer D26/94
D338,315 S 8/1993 Larson
5,255,170 A * 10/1993 Plamp A47G 33/02
362/121
D370,282 S * 5/1996 Grether D11/122

1 Claim, 8 Drawing Sheets

Matter enclosed in heavy brackets [] appears in the original patent but forms no part of this reissue; matter printed in italics indicates the additions made by reissue.



(Amended)

US RE46,216 E

Page 2

(56)

References Cited

U.S. PATENT DOCUMENTS

D429,351 S *	8/2000	Grether	D26/25	D518,939 S *	4/2006	Borgerding	D99/5
D431,206 S *	9/2000	Byers	D11/125	D578,275 S	10/2008	Shantz et al.	
D440,734 S *	4/2001	Berry	D99/23	D600,156 S *	9/2009	Gersh	D11/89
D443,970 S *	6/2001	Stucker	D99/27	D618,135 S *	6/2010	Horst	D11/157
D481,223 S *	10/2003	Locker et al.	D6/470	D619,926 S *	7/2010	Letney	D11/157
				D649,594 S *	11/2011	Yi et al.	D20/15
				D654,828 S	2/2012	Piric	
				D685,675 S	7/2013	Dubow	

* cited by examiner

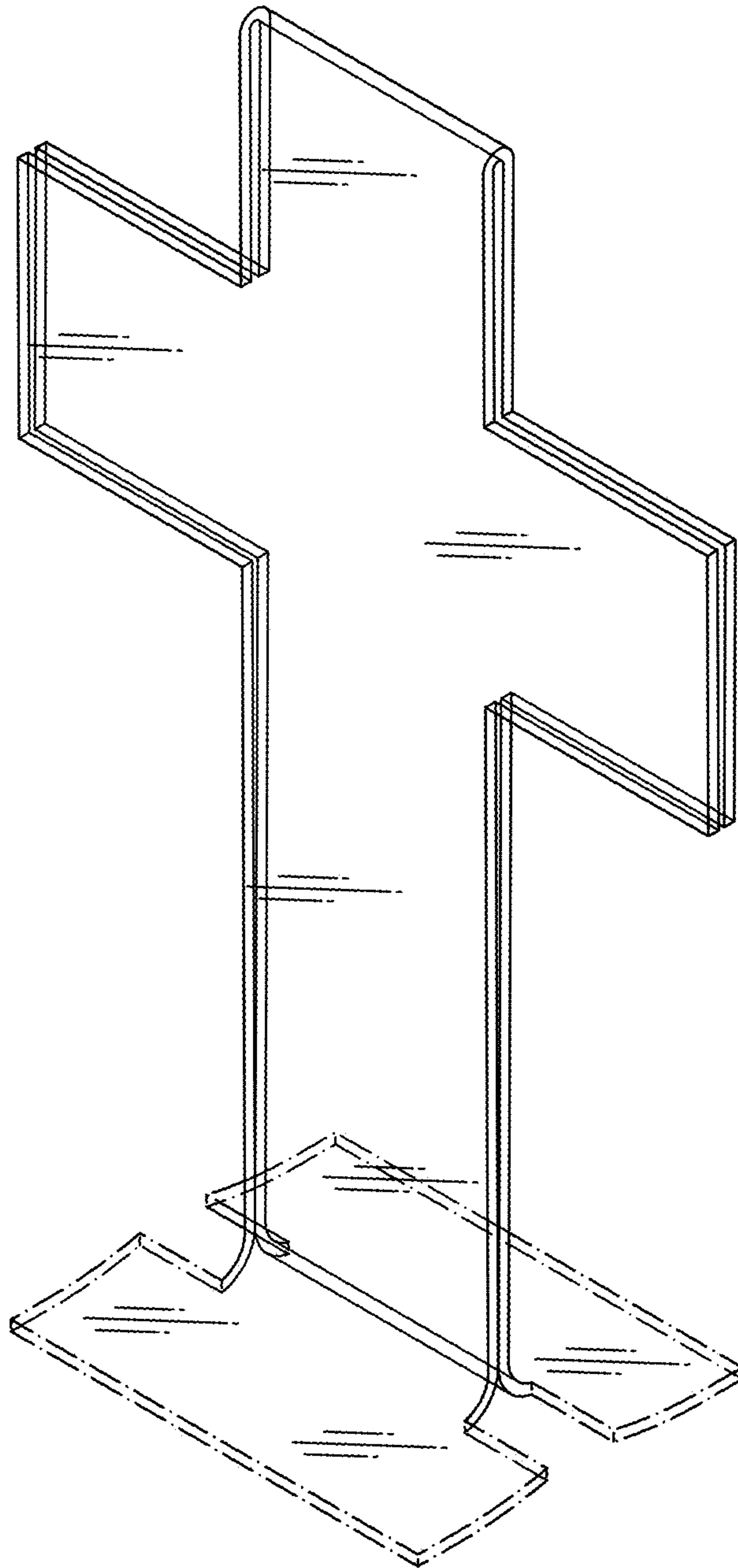


FIG. 1
(Amended)

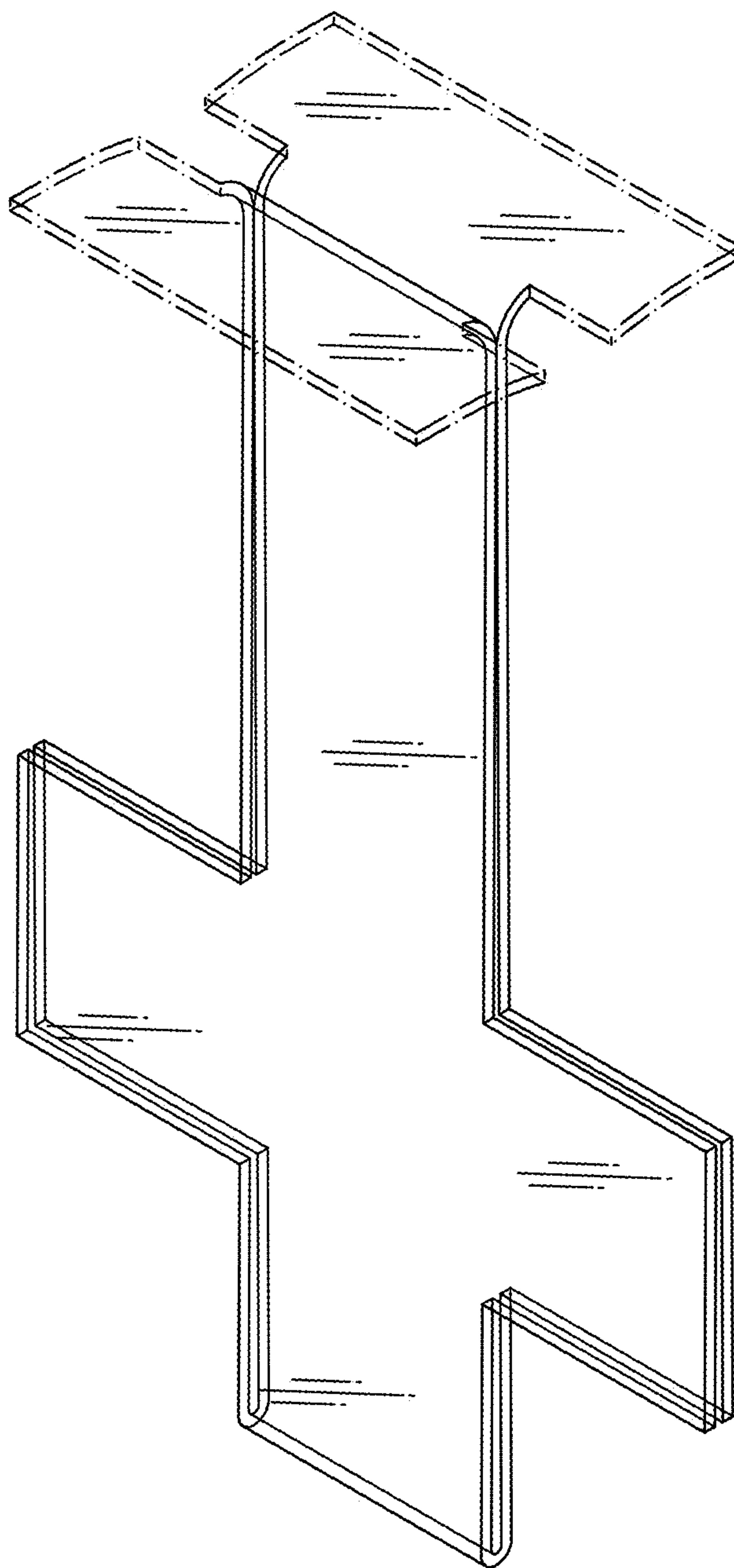


FIG. 2

(Amended)

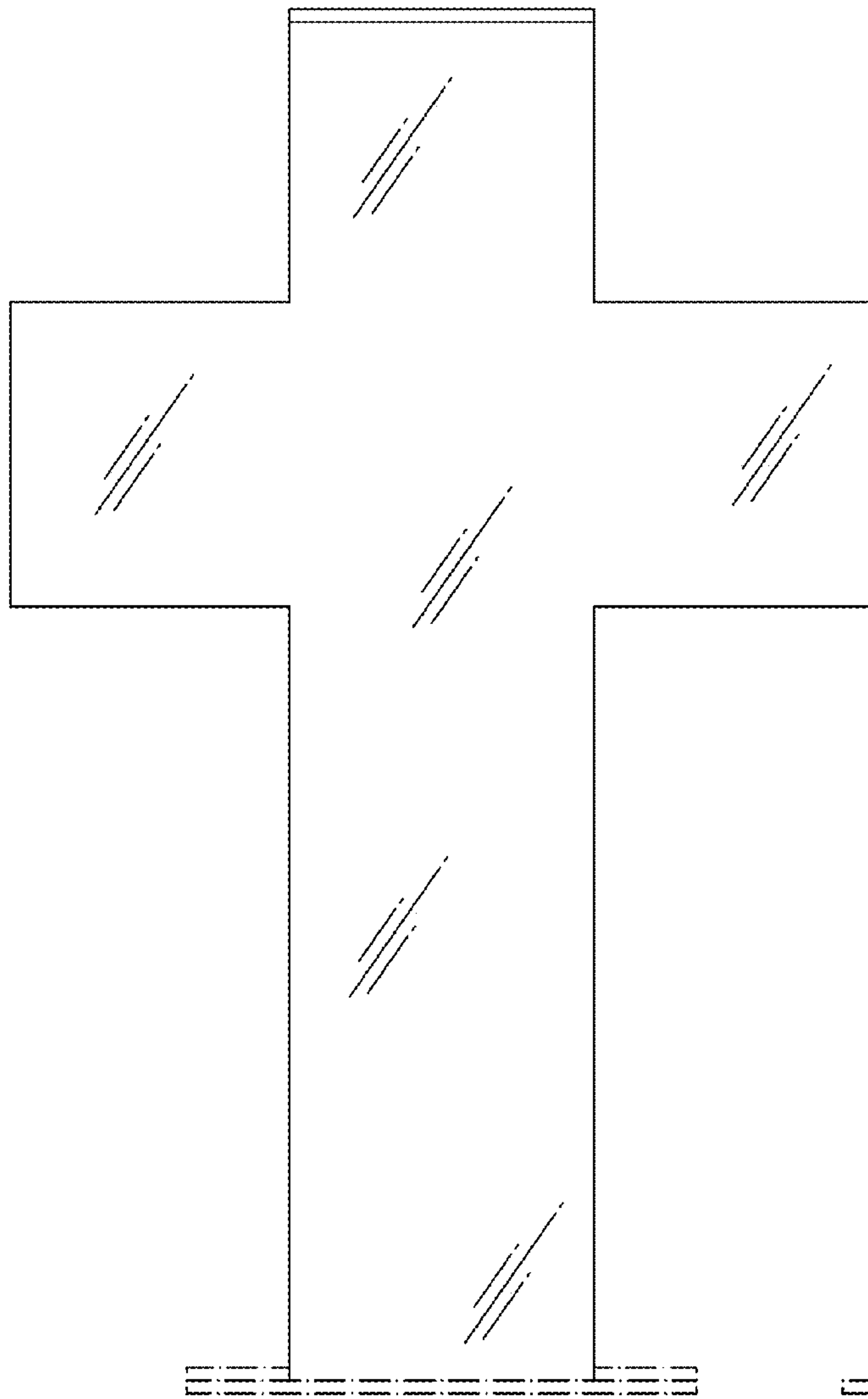


FIG. 3
(Amended)

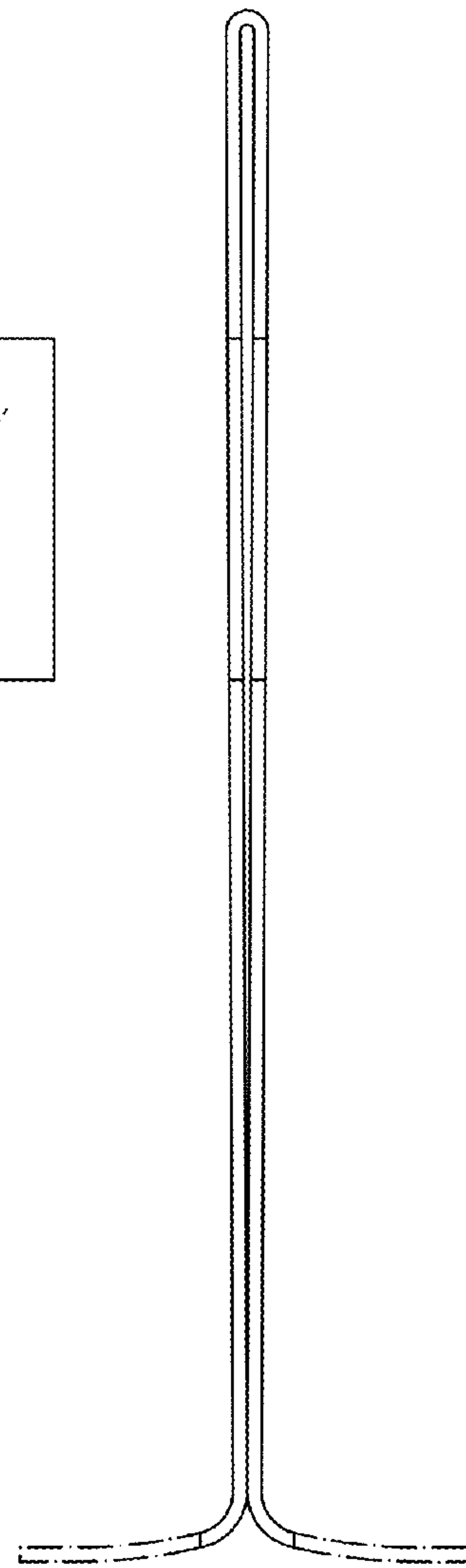


FIG. 4
(Amended)

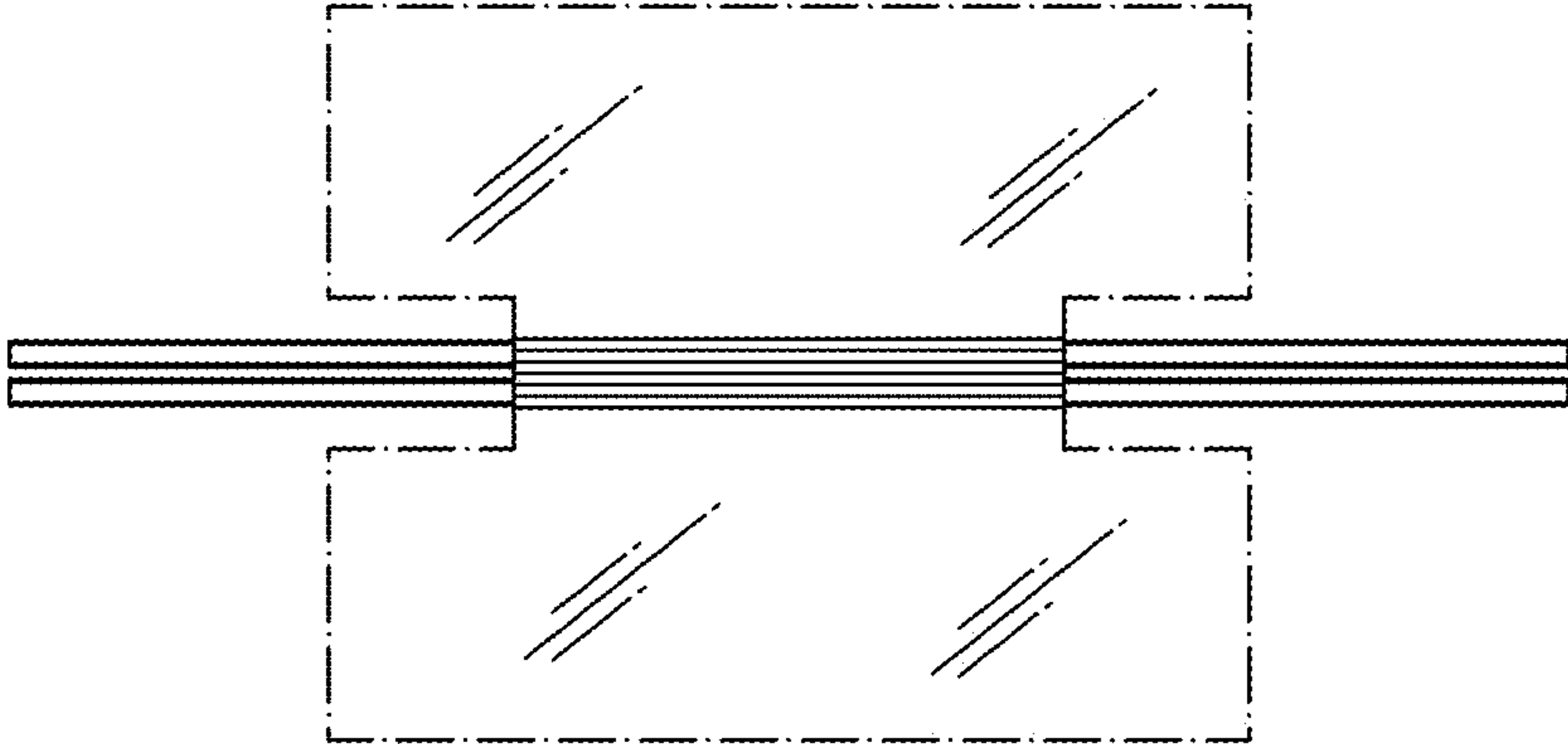


FIG. 5
(Amended)

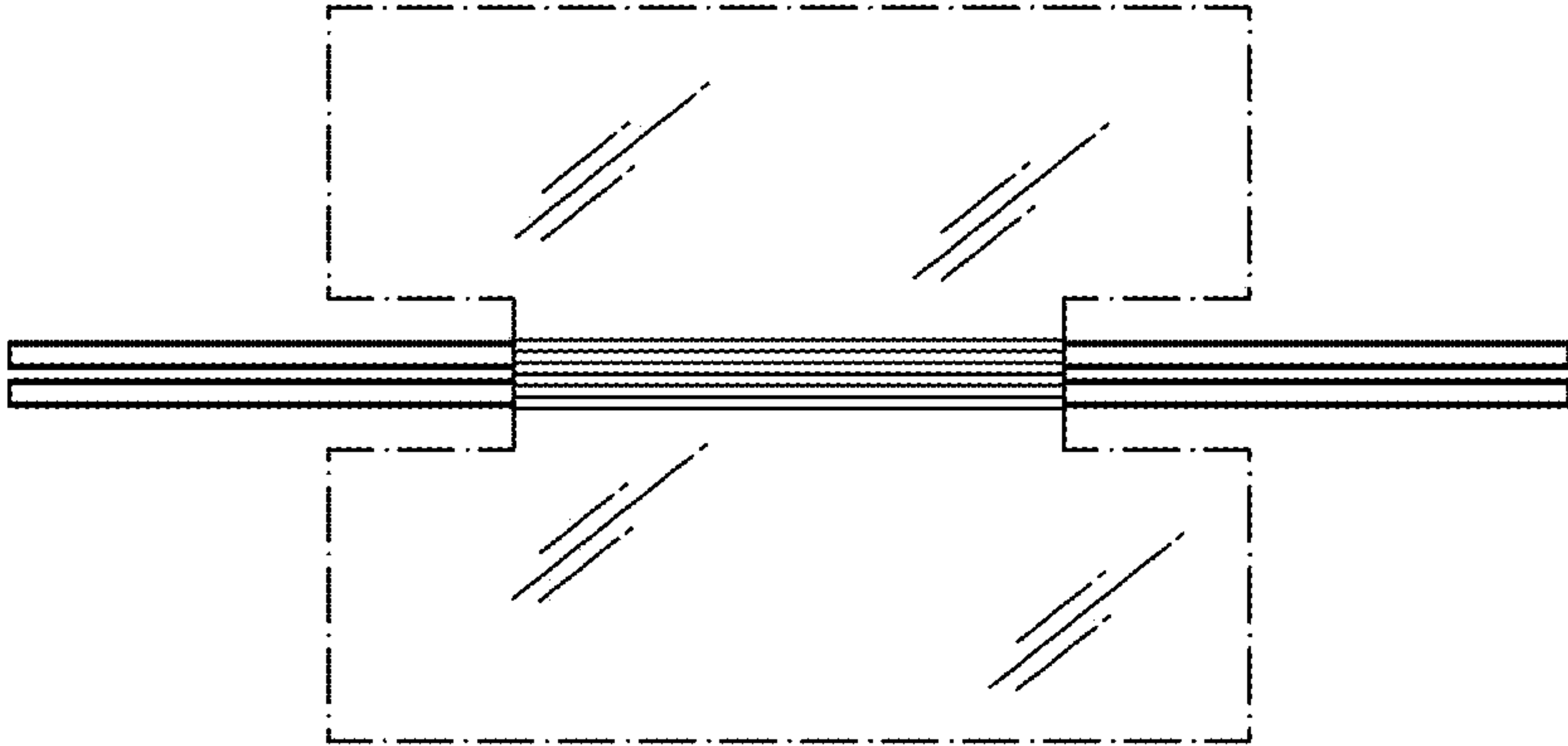


FIG. 6
(Amended)

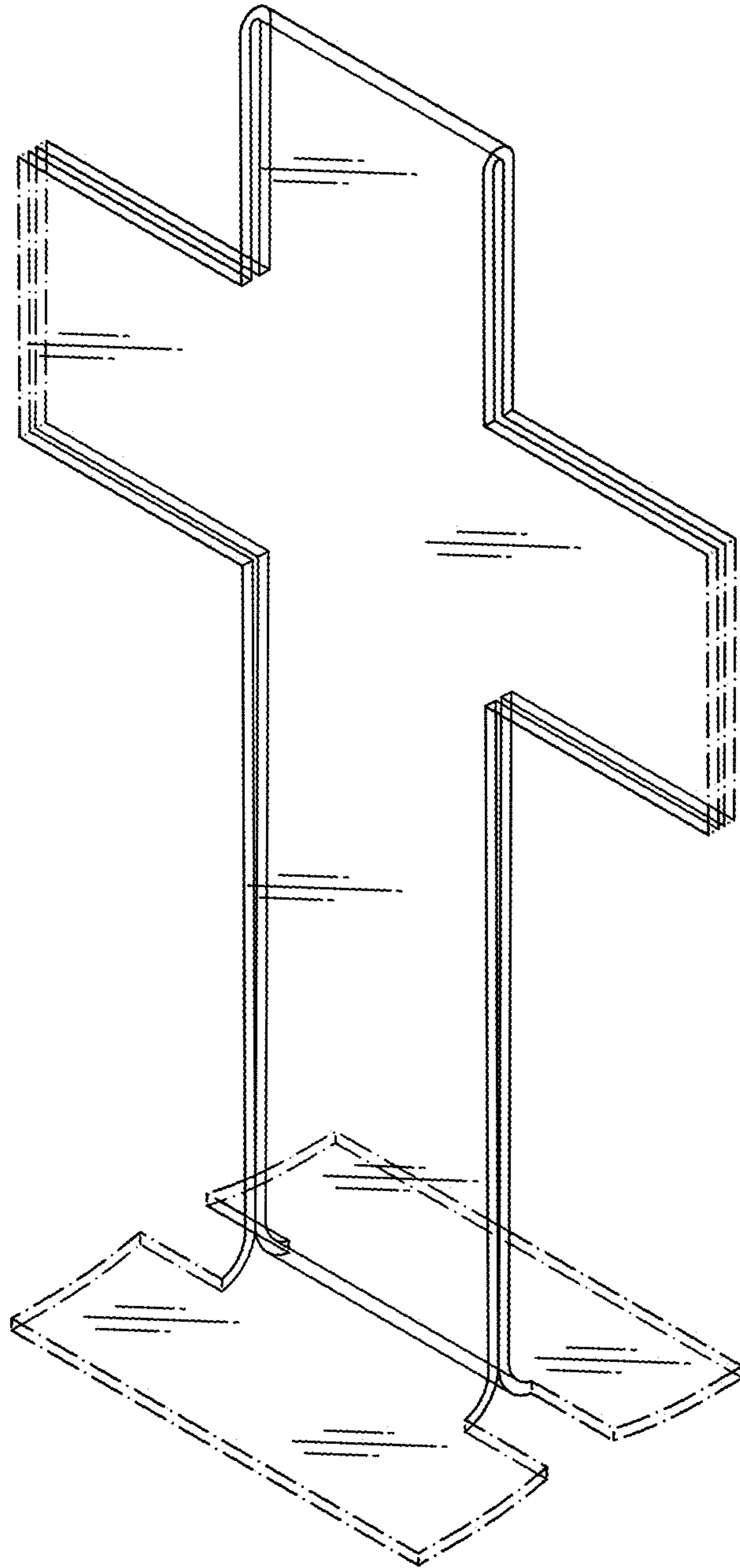


FIG. 7

(New)

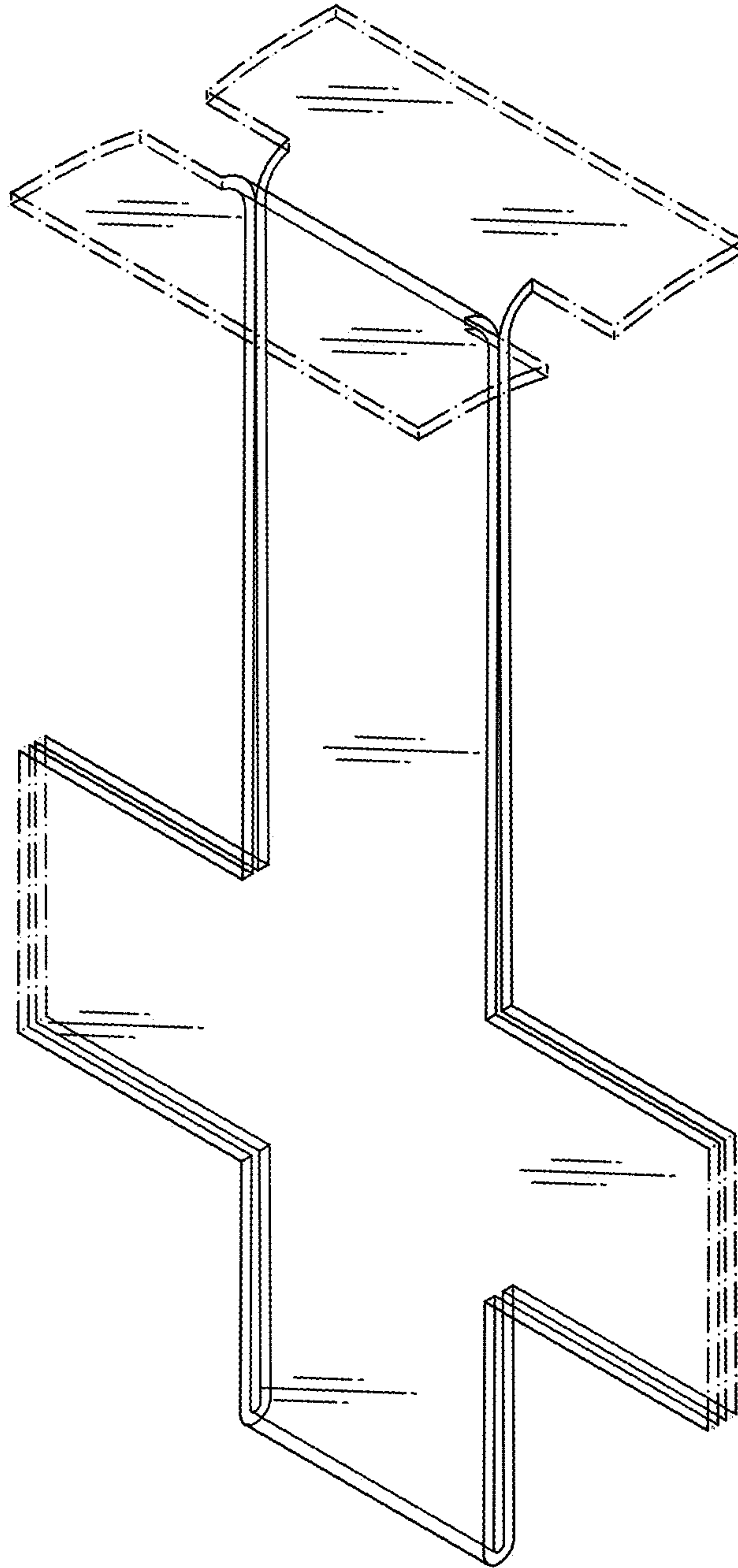


FIG. 8
(New)

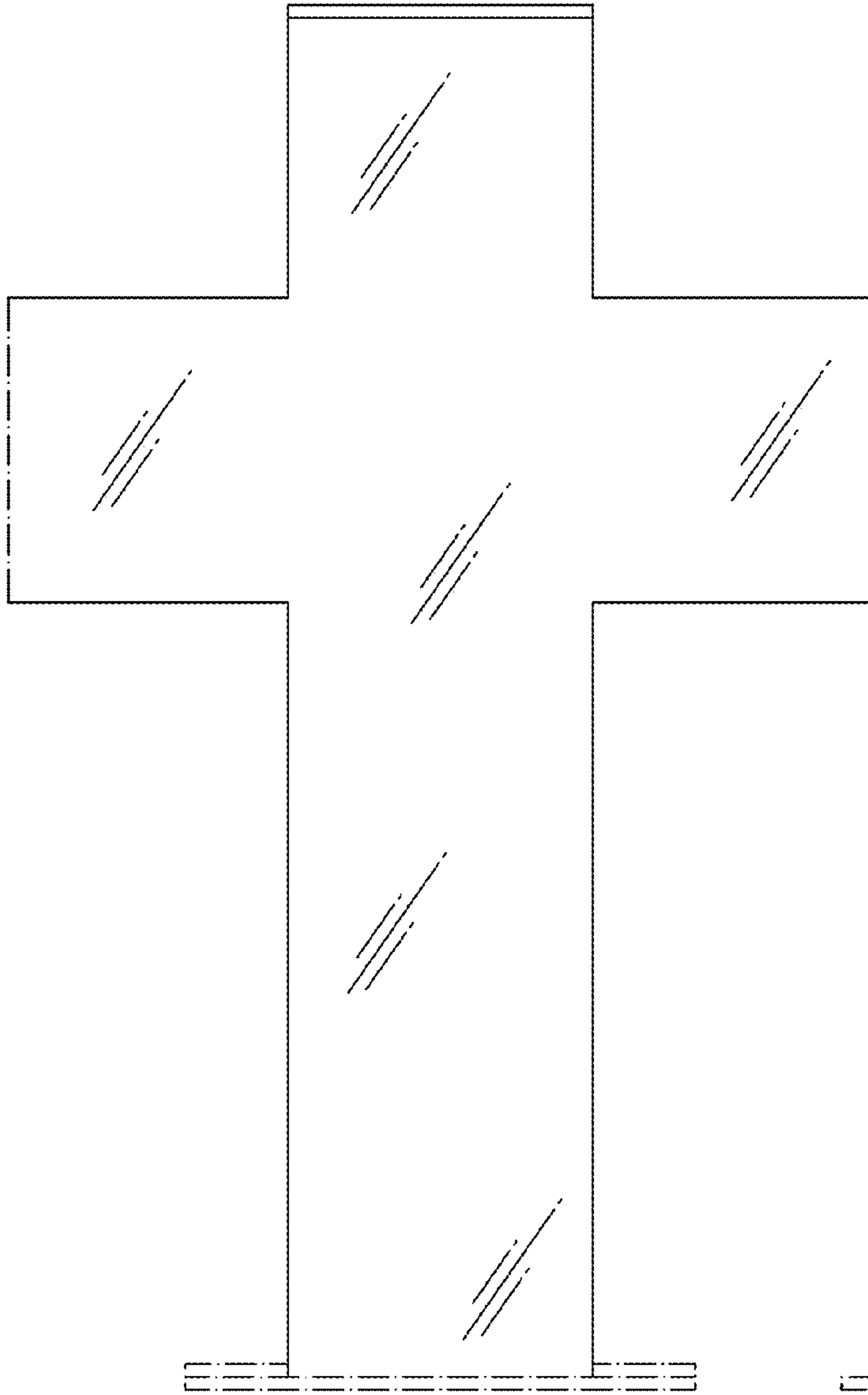


FIG. 9
(New)

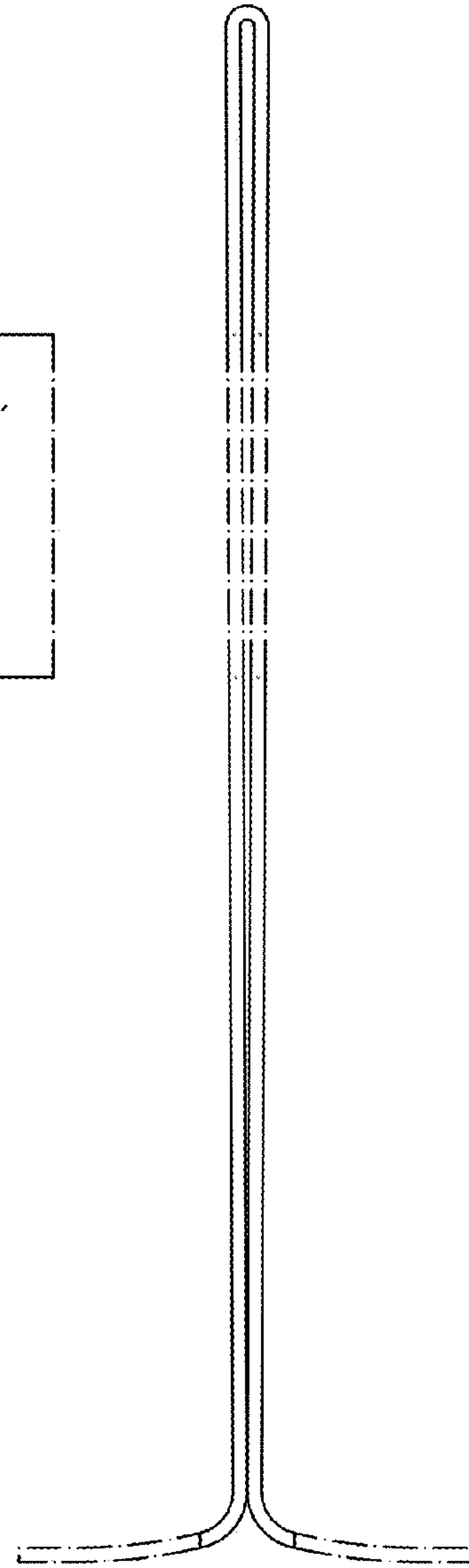


FIG. 10
(New)

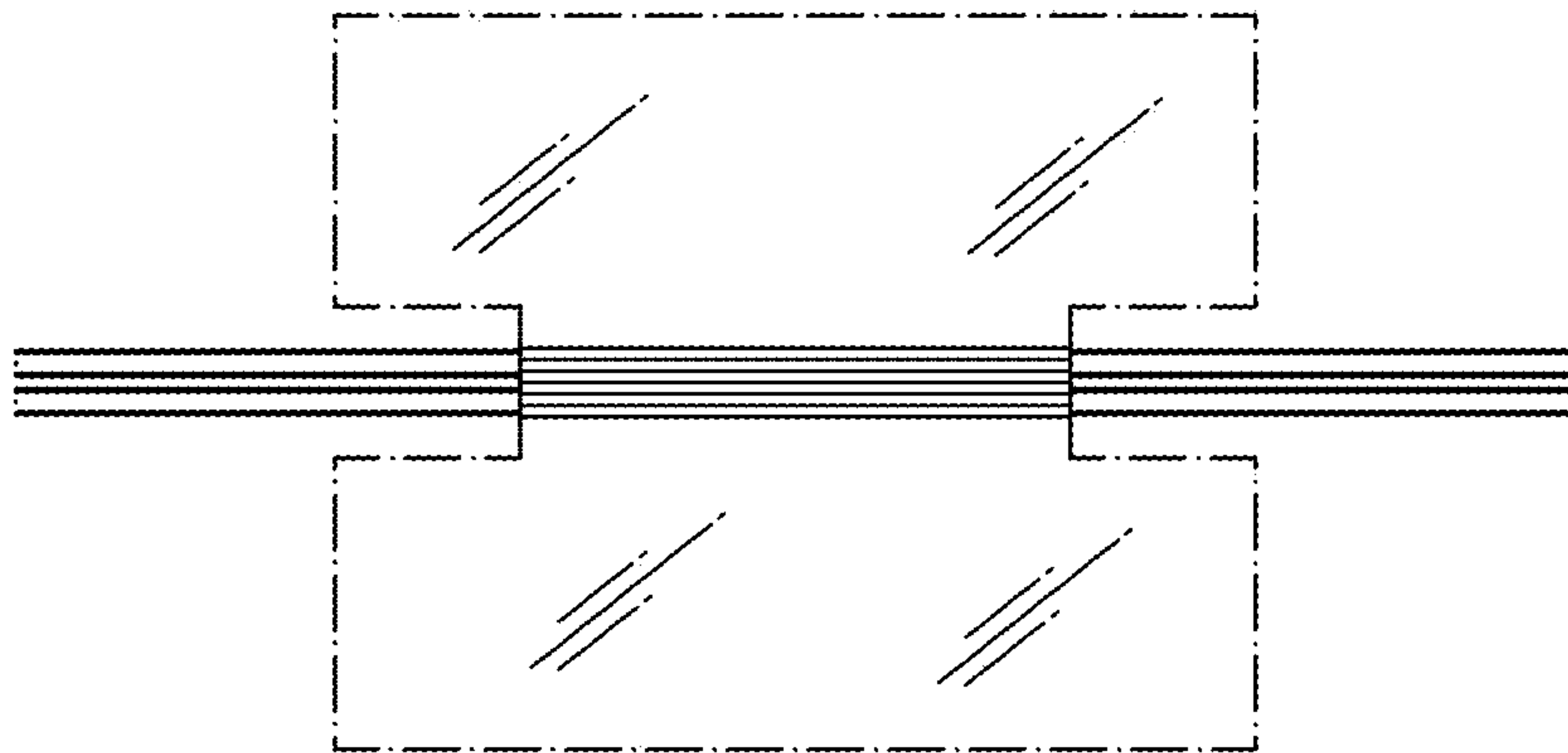


FIG. 11

(New)

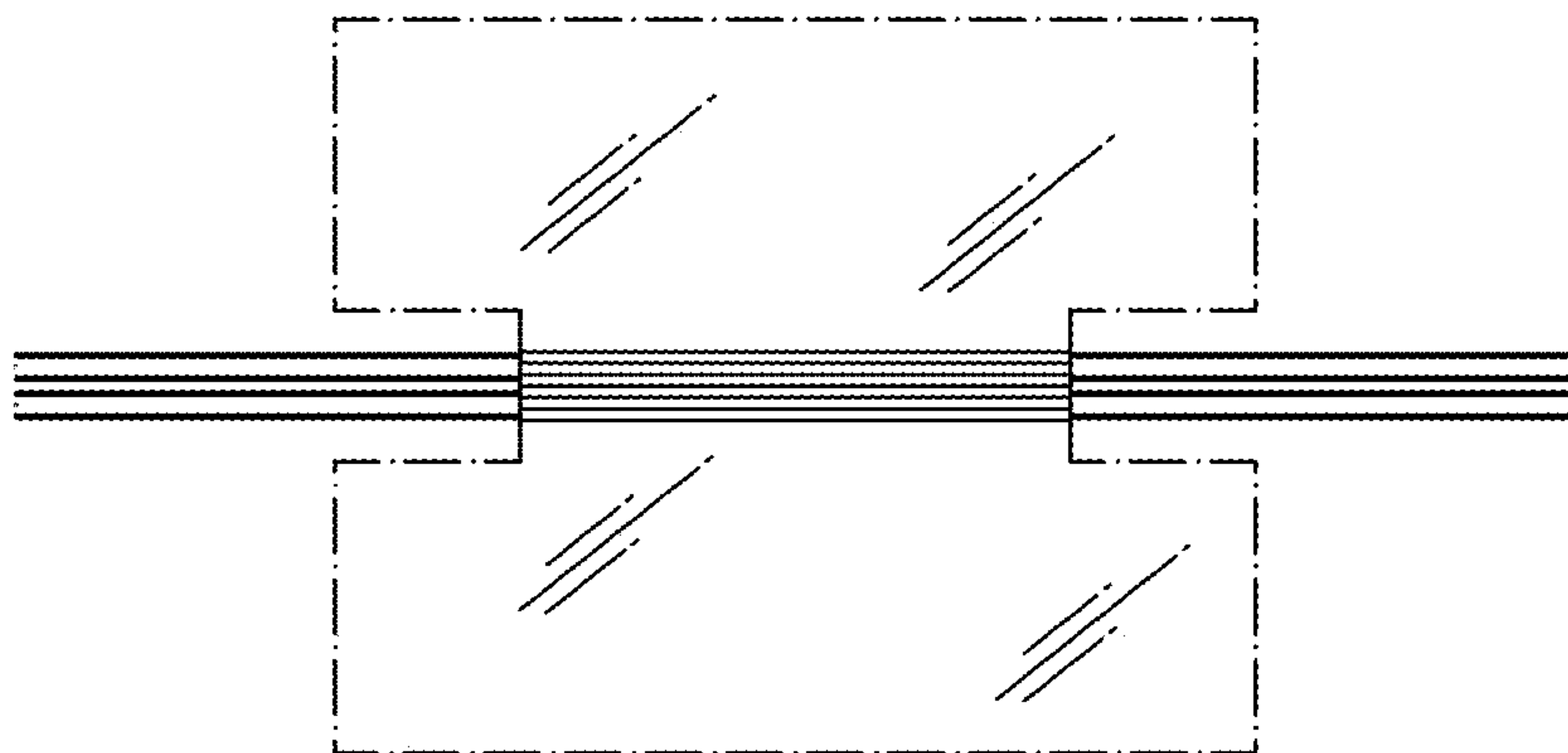


FIG. 12

(New)