



US00RE46207E

(19) **United States**  
(12) **Reissued Patent**  
**Brede et al.**

(10) **Patent Number: US RE46,207 E**  
(45) **Date of Reissued Patent: Nov. 22, 2016**

(54) **MAGNETIC SEPARATION APPARATUS**

FOREIGN PATENT DOCUMENTS

(71) Applicant: **LIFE TECHNOLOGIES AS**,  
Carlsbad, CA (US)

EM 000788799-0001 9/2007  
EM 000788799-0002 9/2007

(Continued)

(72) Inventors: **Gaute Brede**, Ranheim (NO); **Darren Ellis**, Lommedalen (NO); **Tine Hildisch**, Oslo (NO); **Jeremy (“Jez”) Mundy**, Fairford (GB); **Lars Nokleby**, Stabekk (NO); **Erlend Ragnhildstveit**, Oslo (NO); **Richard Toften**, Paradis (NO); **Kornelija Zgonc**, Carlsbad, CA (US)

*Primary Examiner* — Phillip S Hyder

(74) *Attorney, Agent, or Firm* — Michael J. Smith

(73) Assignee: **LIFE TECHNOLOGIES AS**, Oslo (NO)

(57) **CLAIM**

The ornamental design for a magnetic separation apparatus, as shown and described.

(21) Appl. No.: **29/454,427**

**DESCRIPTION**

(22) Filed: **May 9, 2013**

**Related U.S. Patent Documents**

Reissue of:

(64) Patent No.: **Des. 637,709**  
Issued: **May 10, 2011**  
Appl. No.: **29/305,042**  
Filed: **Mar. 12, 2008**

(51) **LOC (10) Cl.** ..... **24-02**  
(52) **U.S. Cl.**  
USPC ..... **D24/107**

(58) **Field of Classification Search**  
USPC ..... D24/107, 108; 210/222, 232, 695,  
210/223.1; 422/101, 104, 527  
See application file for complete search history.

(56) **References Cited**

**U.S. PATENT DOCUMENTS**

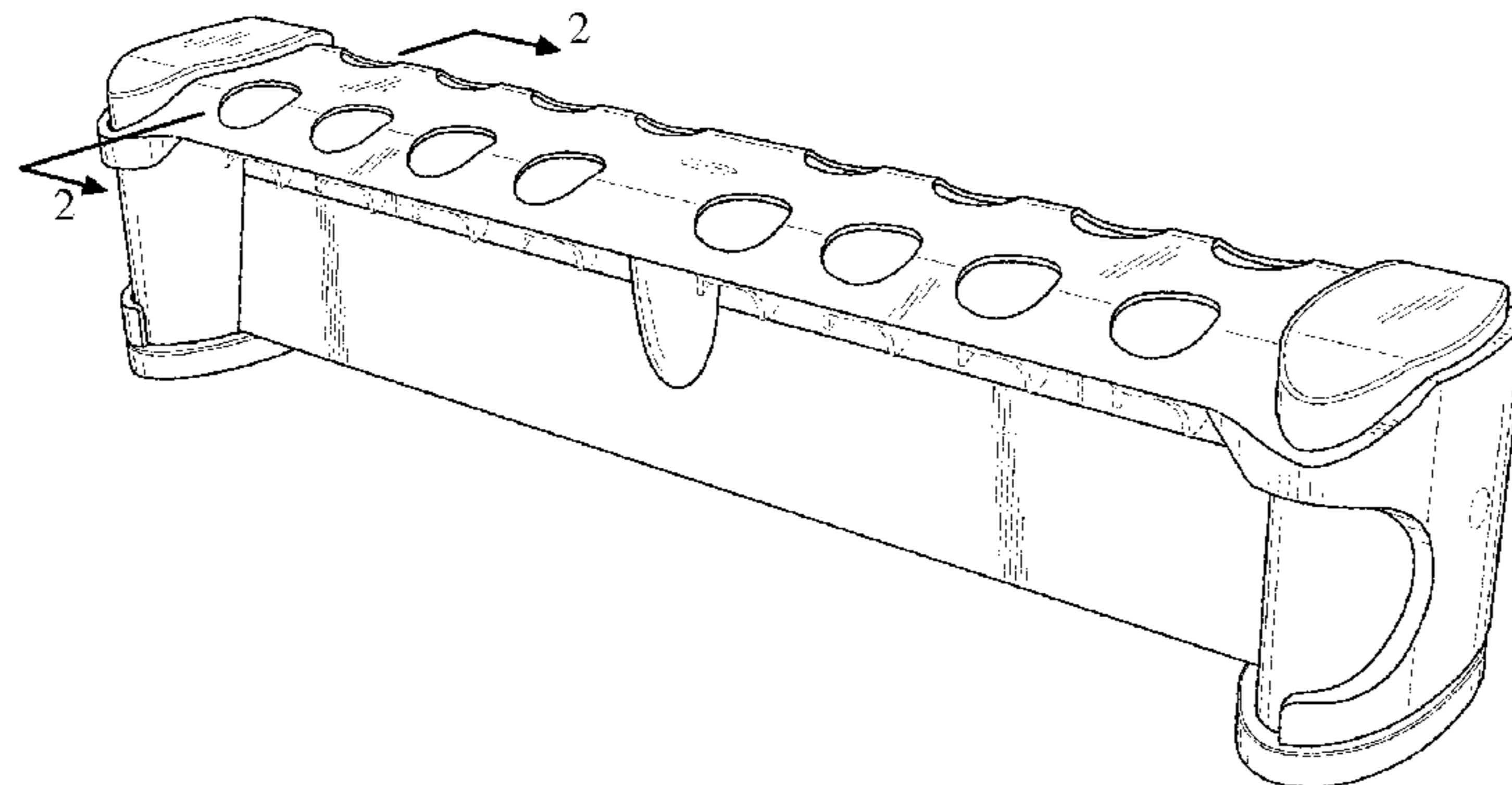
4,895,650 A 1/1990 Wang  
5,567,326 A \* 10/1996 Ekenberg et al. .... 210/695  
6,123,205 A 9/2000 Dumitrescu et al.  
6,193,892 B1 \* 2/2001 Krueger et al. .... 210/695  
6,562,239 B2 \* 5/2003 Foy et al. .... 210/695

(Continued)

[FIG. 1 is a top perspective view of an embodiment;]  
[FIG. 2 is a side view of an embodiment;]  
[FIG. 3 is a side view of an embodiment;]  
[FIG. 4 is a side perspective view of an embodiment; and,]  
[FIG. 5 is a side perspective view of an embodiment where two of the pieces have been separated.]  
[No color is claimed as part of the design, nor are any logos, and/or written matter claimed as part of the design.]  
*FIG. 1 is a top front and right side perspective view of a magnetic separation apparatus, showing my new design;*  
*FIG. 2 is a cross section view taken along the line 2-2 of FIG. 1;*  
*FIG. 3 is a side elevation view thereof;*  
*FIG. 4 is a top front and left side perspective view thereof; and,*  
*FIG. 5 is a top front and left side perspective view thereof wherein the components of the design are separated.*  
*The broken lines depict portions of the magnetic separation apparatus in which the design is embodied that are not considered part of the claim design.*

**1 Claim, 4 Drawing Sheets**

**Matter enclosed in heavy brackets [ ] appears in the original patent but forms no part of this reissue; matter printed in italics indicates the additions made by reissue.**



# US RE46,207 E

Page 2

---

(56)

## References Cited

## FOREIGN PATENT DOCUMENTS

### U.S. PATENT DOCUMENTS

7,740,759 B2 \* 6/2010 Su et al. .... 210/222  
7,829,026 B2 \* 11/2010 Su et al. .... 422/527

EM 000788799-0003 9/2007  
EM 000788799-0004 9/2007

\* cited by examiner

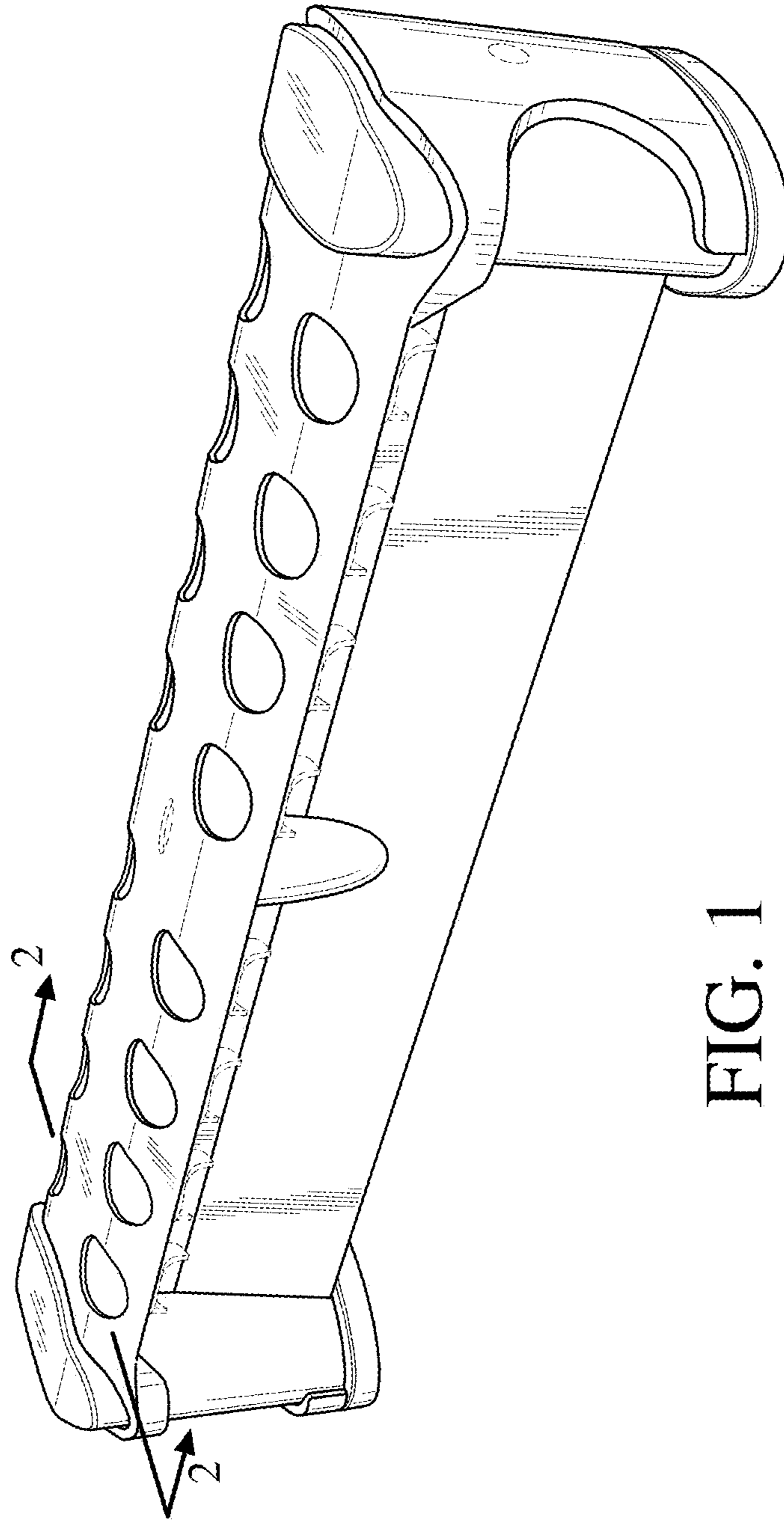


FIG. 1  
AMENDED

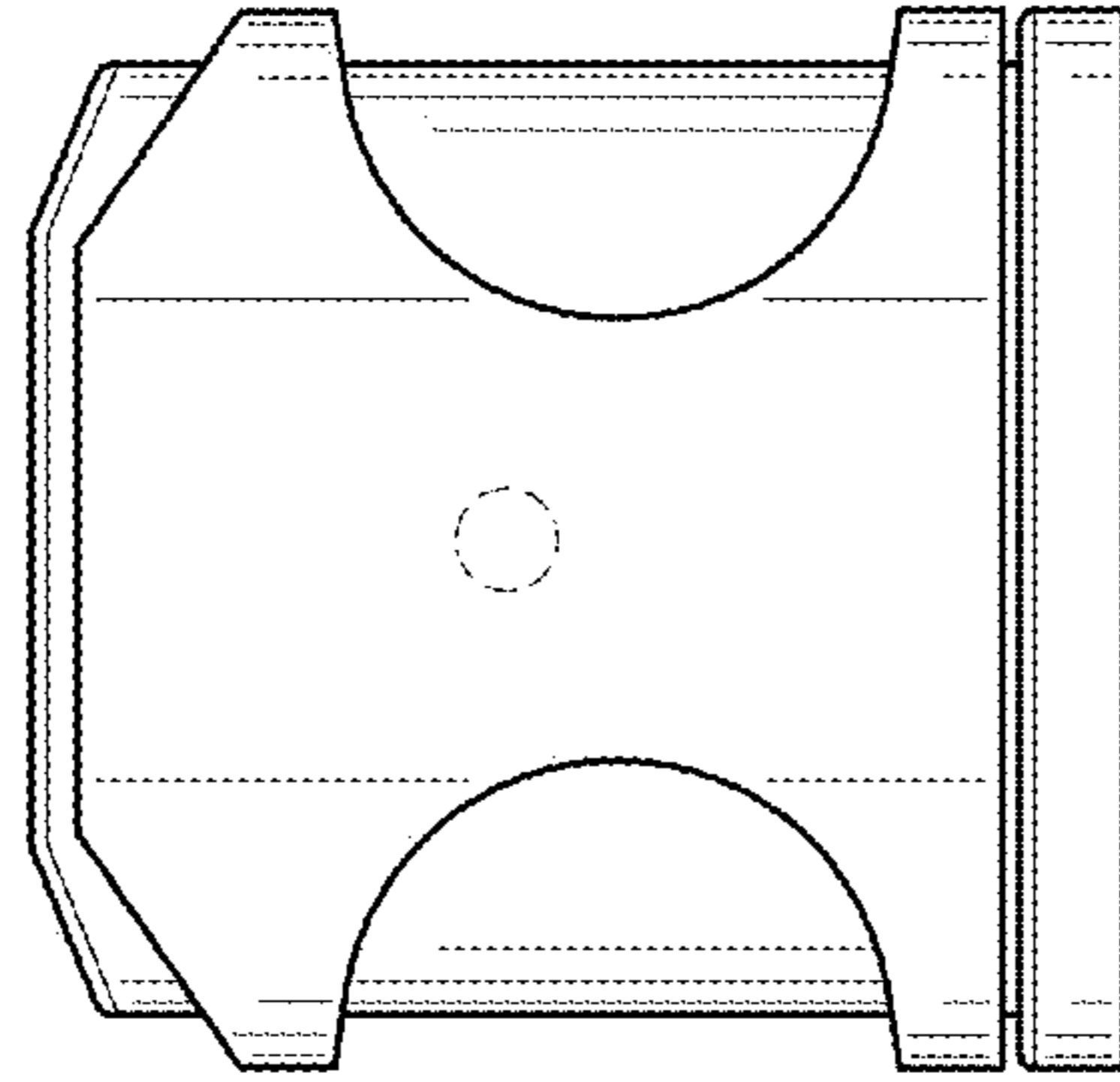


FIG. 3  
AMENDED

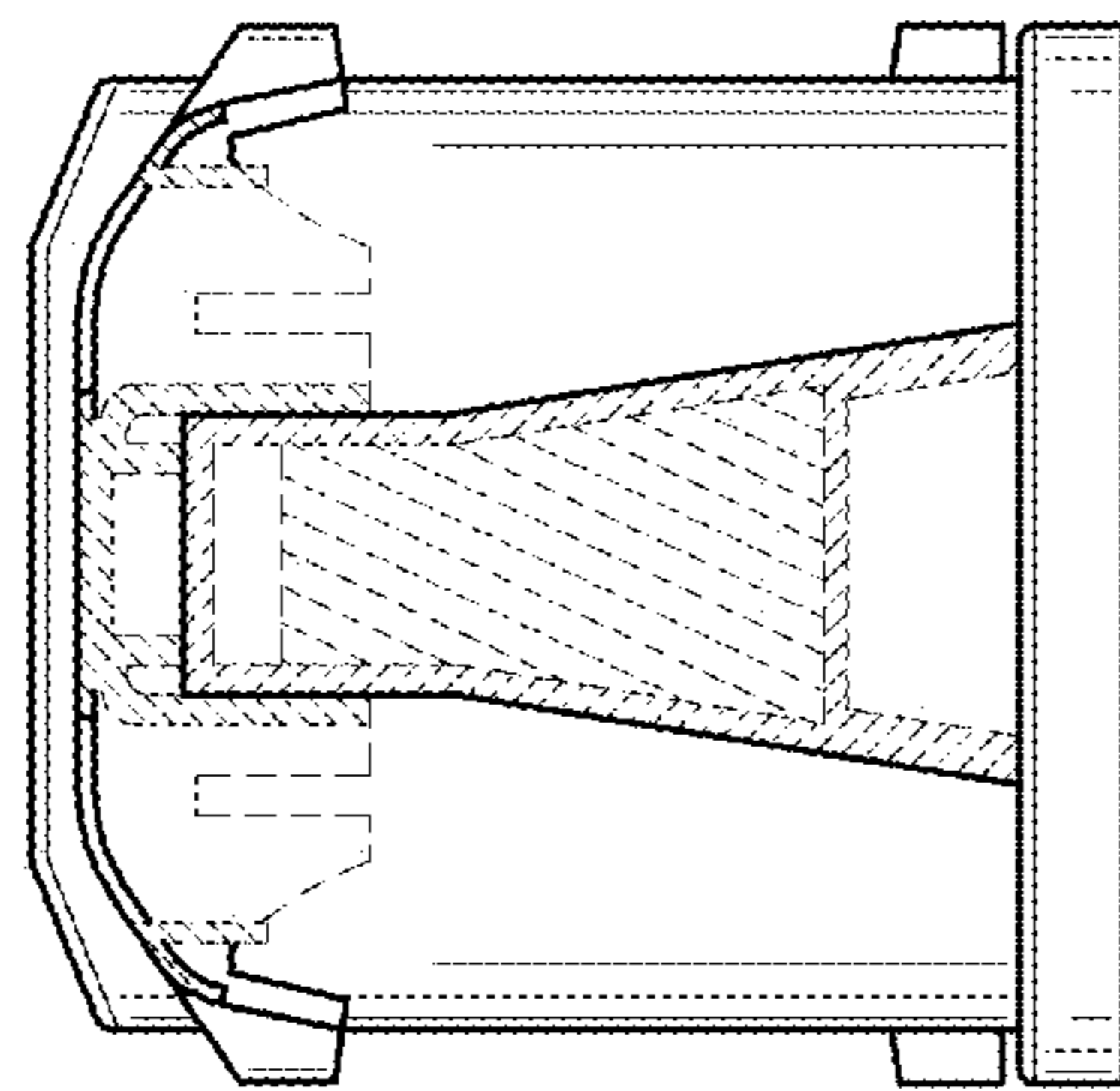


FIG. 2  
AMENDED

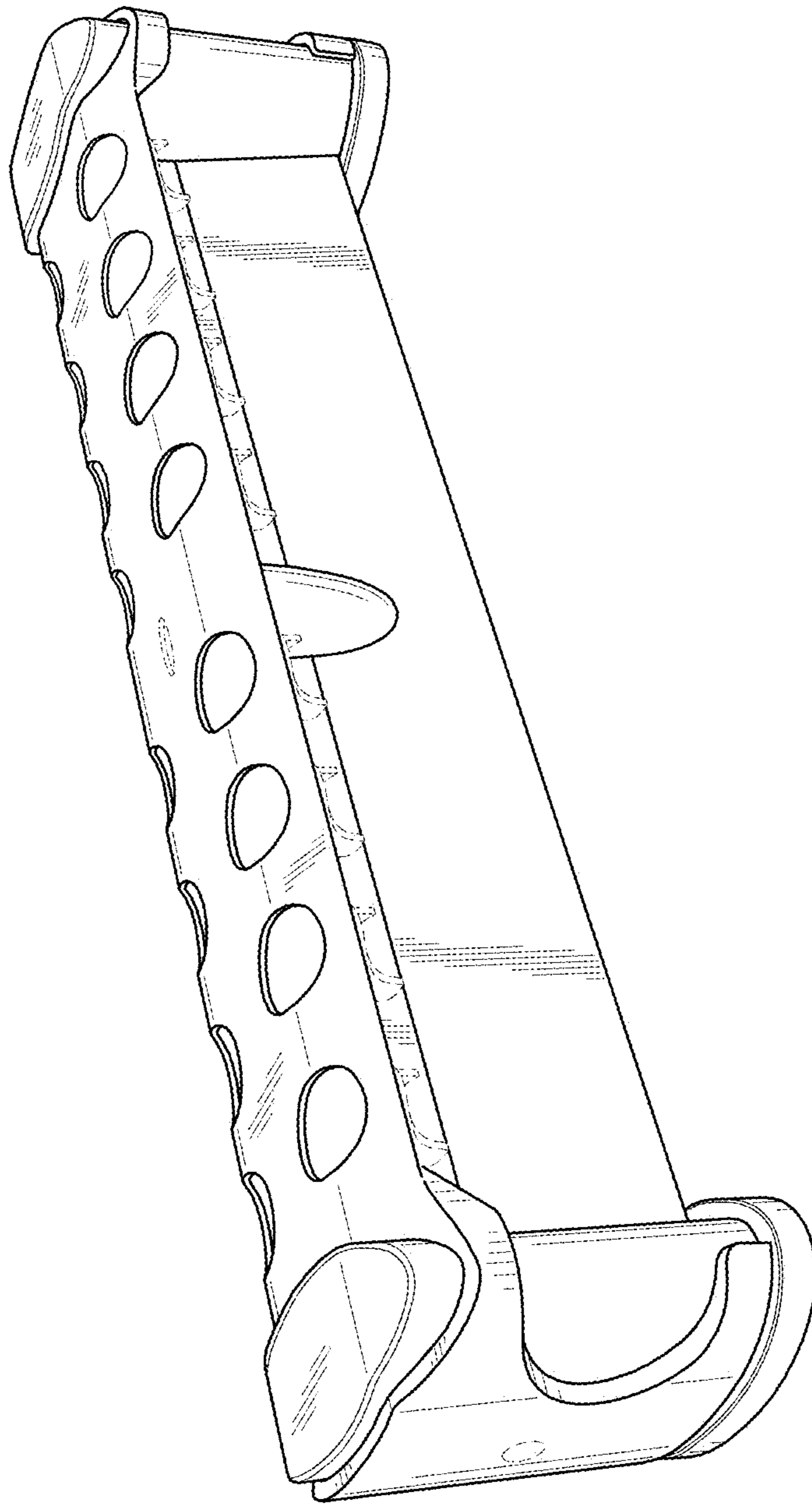


FIG. 4  
AMENDED



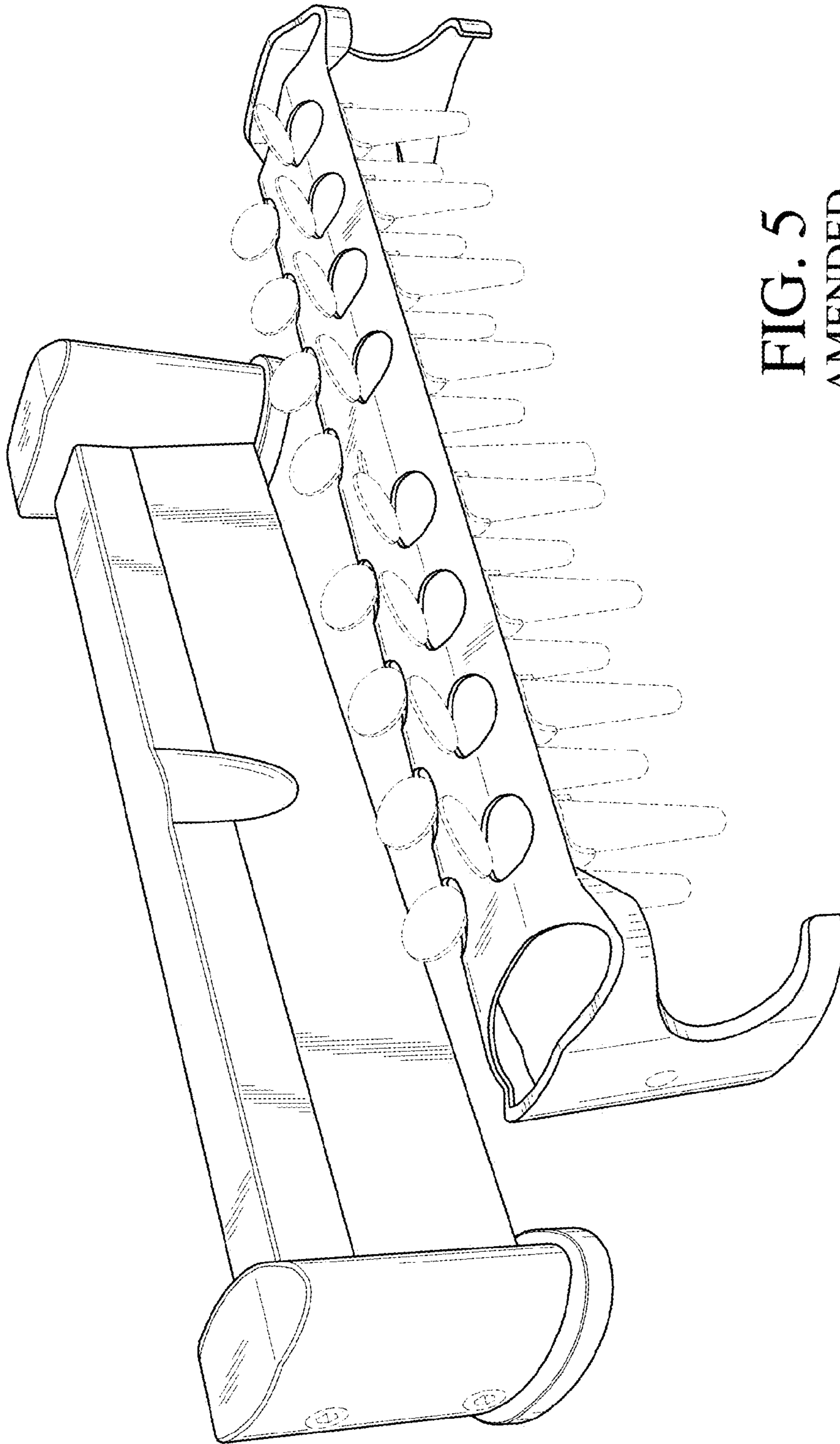


FIG. 5  
AMENDED