



US00RE46197E

(19) **United States**
(12) **Reissued Patent**
Takahashi et al.

(10) **Patent Number: US RE46,197 E**
(45) **Date of Reissued Patent: Nov. 8, 2016**

(54) **CUTTING INSERT**
(75) Inventors: **Hidebumi Takahashi**, Ibaraki-ken (JP);
Hiroshi Hoki, Ibaraki-ken (JP);
Hiroaki Hayashizaki, Ibaraki-ken (JP)
(73) Assignee: **Mitsubishi Materials Corporation**,
Tokyo (JP)
(21) Appl. No.: **29/404,265**
(22) Filed: **Oct. 18, 2011**
Related U.S. Patent Documents

Reissue of:
(64) Patent No.: **Des. 640,716**
Issued: **Jun. 28, 2011**
Appl. No.: **29/294,338**
Filed: **Jan. 4, 2008**

(30) **Foreign Application Priority Data**

Jul. 5, 2007 (JP) 2007-018147
Dec. 5, 2007 (JP) 2007-033430
Dec. 5, 2007 (JP) 2007-033431
Dec. 5, 2007 (JP) 2007-033432

(51) **LOC (10) Cl.** **15-09**

(52) **U.S. Cl.**
USPC **D15/139**

(58) **Field of Classification Search**
USPC D15/138, 139, 140; 407/33-52, 77,
407/107-120

See application file for complete search history.

(56) **References Cited**

U.S. PATENT DOCUMENTS

6,079,912 A * 6/2000 Rothballer 407/114
D482,706 S * 11/2003 Svensson D15/139

(Continued)

FOREIGN PATENT DOCUMENTS

JP D1321033 2/2008

Primary Examiner — Phillip S Hyder

(74) Attorney, Agent, or Firm — Leason Ellis LLP

(57) **CLAIM**

The ornamental design for a cutting insert, as shown and described.

DESCRIPTION

FIG. 1 is a perspective view of a first embodiment of the cutting insert.

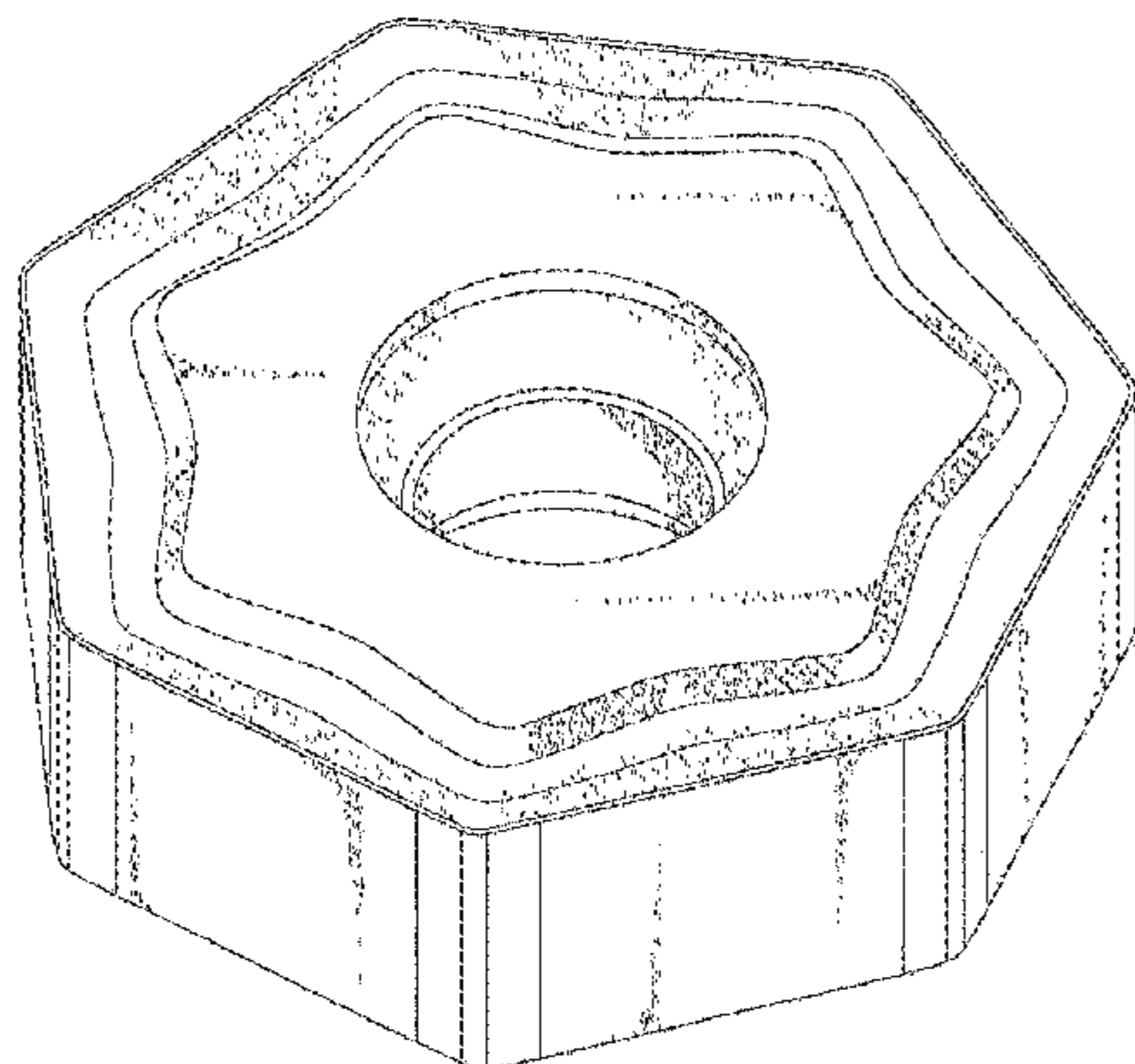
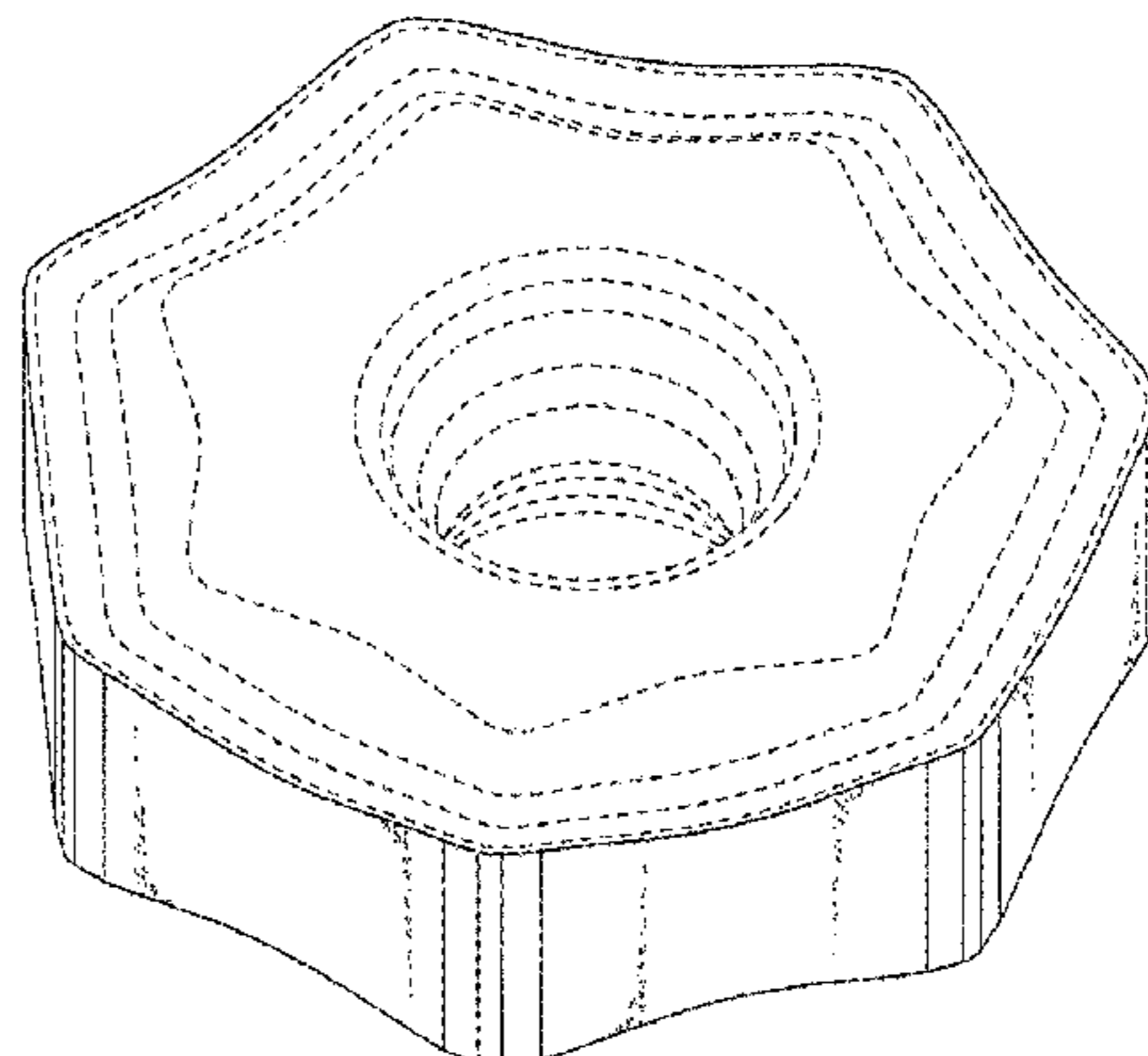


FIG. 2 is a front elevation view thereof. A rear elevation view is identical with the front elevation view.
FIG. 3 is a top plan view thereof.
FIG. 4 is a bottom plan view thereof.
FIG. 5 is a right side elevation view thereof. A left side elevation view is identical with the right side elevation view.
FIG. 6 is a cross-sectional view thereof taken along line 6-6 in FIG. 2.
FIG. 7 is a cross-sectional view thereof taken along line 7-7 in FIG. 2.
FIG. 8 is a perspective view of a second embodiment of the cutting insert.
FIG. 9 is a front elevation view thereof. A rear elevation view is identical with the front elevation view.
FIG. 10 is a top plain view thereof.
FIG. 11 is a bottom plan view thereof.
FIG. 12 is a right side elevation view thereof. A left side elevation view is identical with the right side elevation view.
FIG. 13 is a cross-sectional view thereof taken along line 13-13 in FIG. 9.
FIG. 14 is a perspective view of a third embodiment of the cutting insert.
FIG. 15 is a front elevation view thereof. A rear elevation view is identical with the front elevation view.
FIG. 16 is a top plain view thereof.
FIG. 17 is a bottom plan view thereof.
FIG. 18 is a right side elevation view thereof. A left side elevation view is identical with the right side elevation view; and,
FIG. 19 is a cross-sectional view thereof taken along line 19-19 in FIG. 15.
FIG. 20 is a perspective view of a fourth embodiment of the cutting insert showing our new design.
FIG. 21 is a front elevation view of the fourth embodiment. The rear elevation view is identical to the front elevation view.
FIG. 22 is a top plan view of the fourth embodiment.
FIG. 23 is a bottom plan view of the fourth embodiment.
FIG. 24 is a right side-elevation view of the fourth embodiment. The left side elevation view is identical to the right side elevation view; and,
FIG. 25 is a cross-sectional view of the fourth embodiment taken along line 25-25 in FIG. 21.
The broken lines in FIGS. 20 through 25 depict portions of the cutting insert in which the design is embodied that are not considered part of the claimed design.

1 Claim, 25 Drawing Sheets

Matter enclosed in heavy brackets [] appears in the original patent but forms no part of this reissue; matter printed in italics indicates the additions made by reissue.

(NEW)



US RE46,197 E

Page 2

(56)

References Cited

U.S. PATENT DOCUMENTS

6,641,337 B1 *	11/2003	Rothballer	407/114	D573,164 S *	7/2008	Nitzsche	D15/139
6,935,815 B2 *	8/2005	Schwaner et al.	407/114	D603,433 S *	11/2009	Zastrozynski	D15/139
D559,286 S *	1/2008	Waggle et al.	D15/139	D621,429 S *	8/2010	Zastrozynski	D15/139
				D633,534 S *	3/2011	Chen et al.	D15/139
				2004/0007115 A1 *	1/2004	Schwaner et al.	83/835

* cited by examiner

FIG. 1

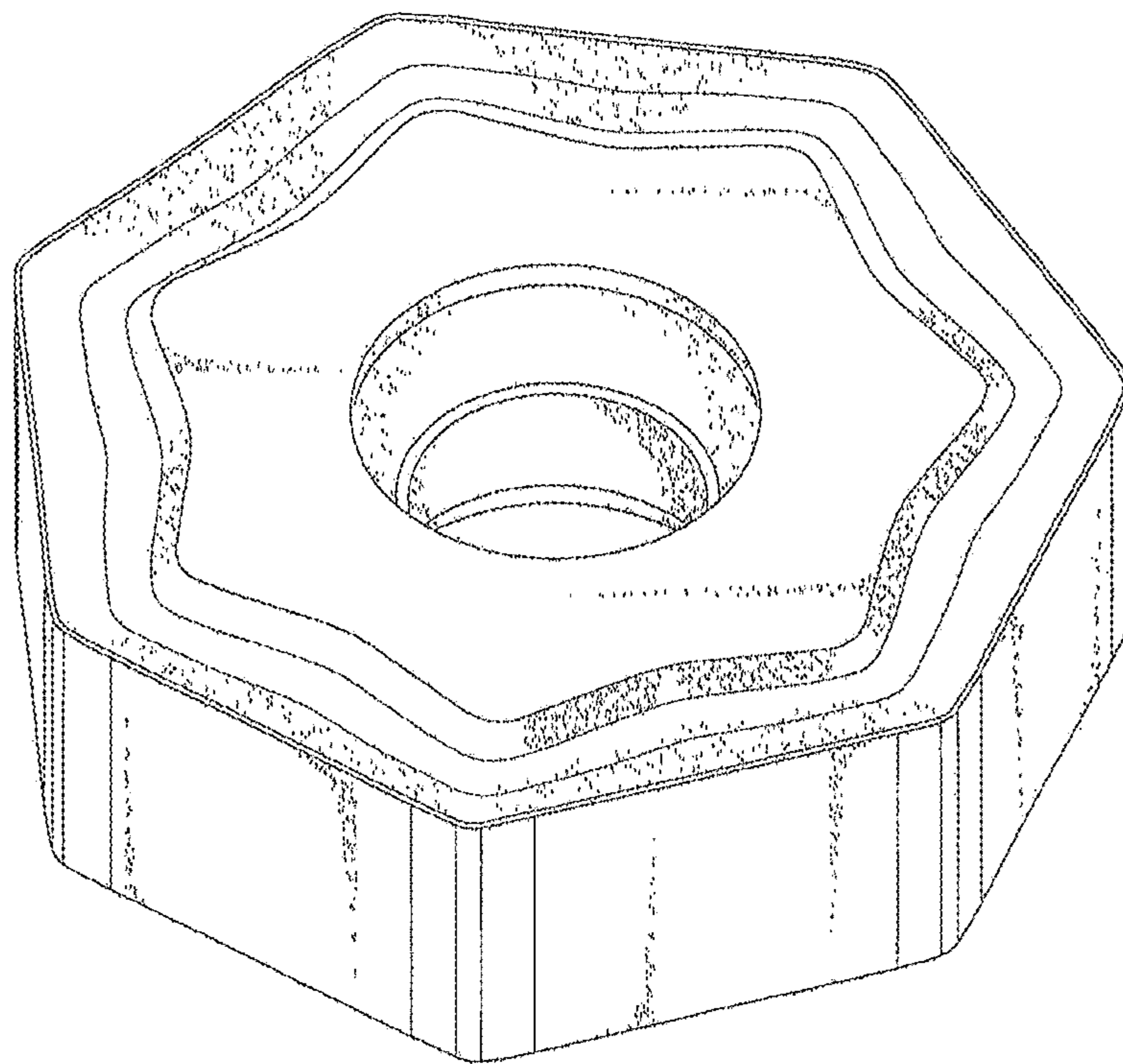


FIG. 2

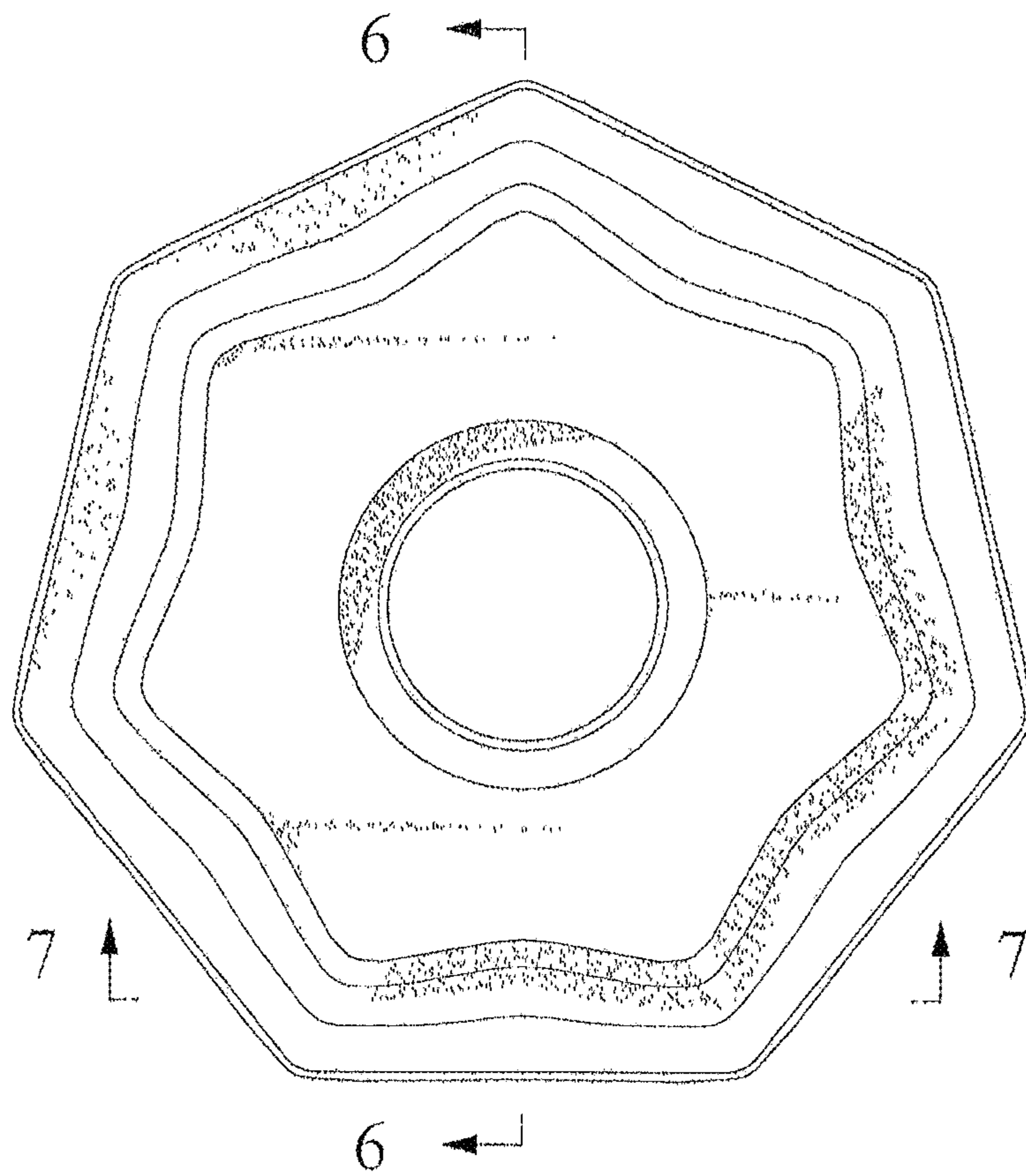


FIG. 3

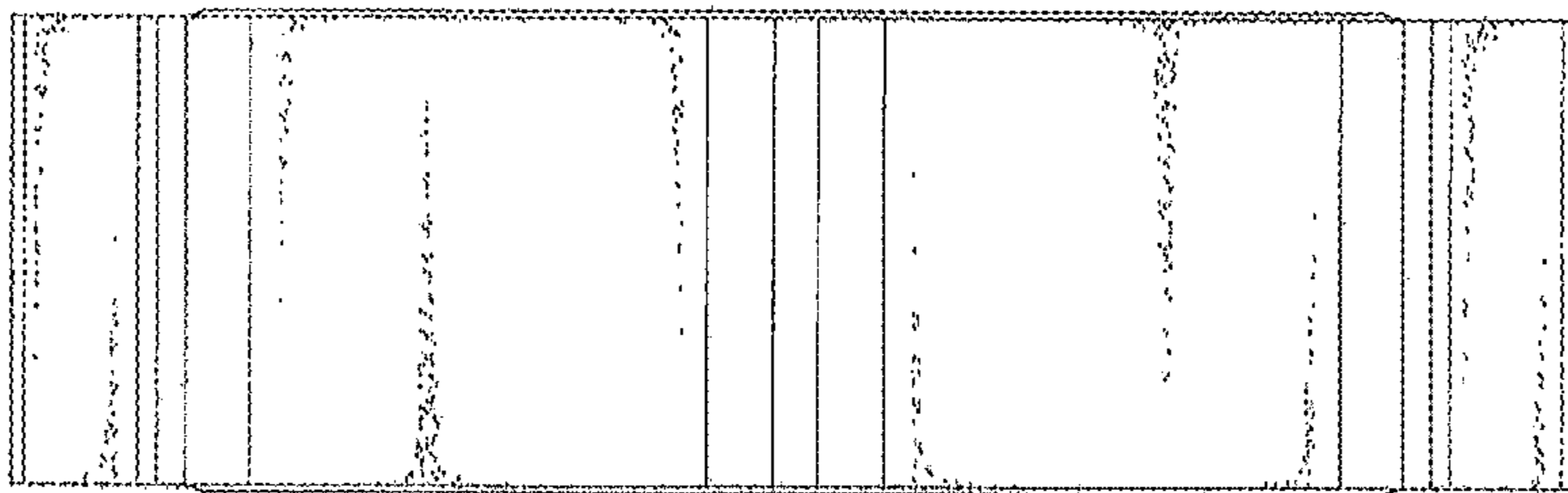


FIG. 4

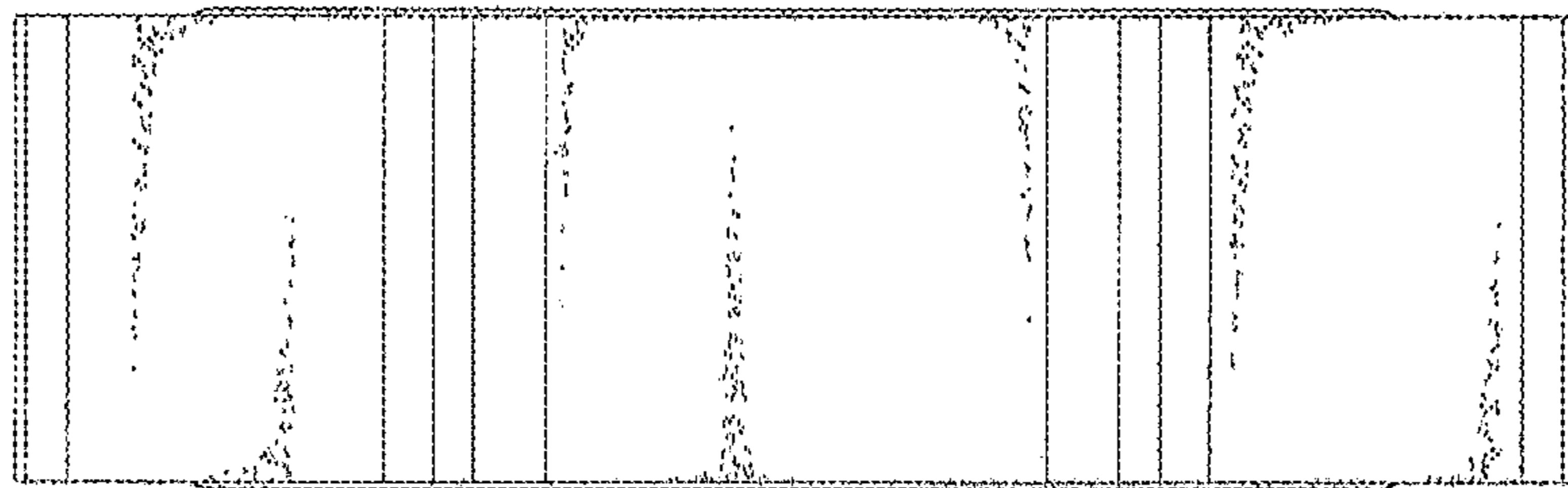


FIG. 5

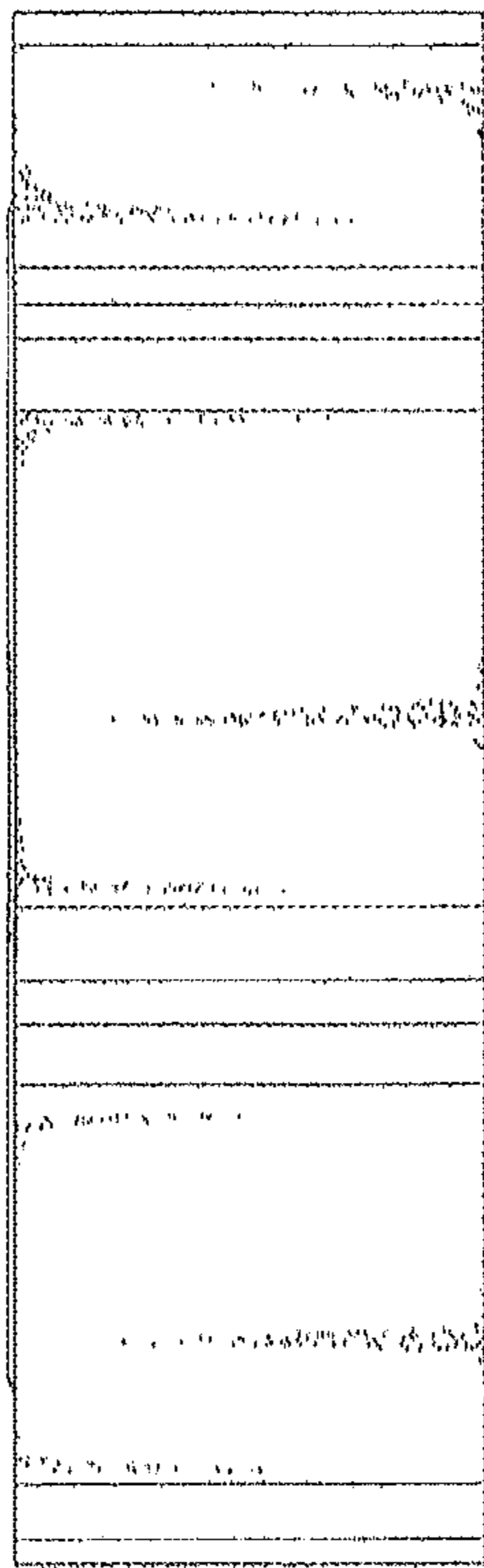


FIG. 6

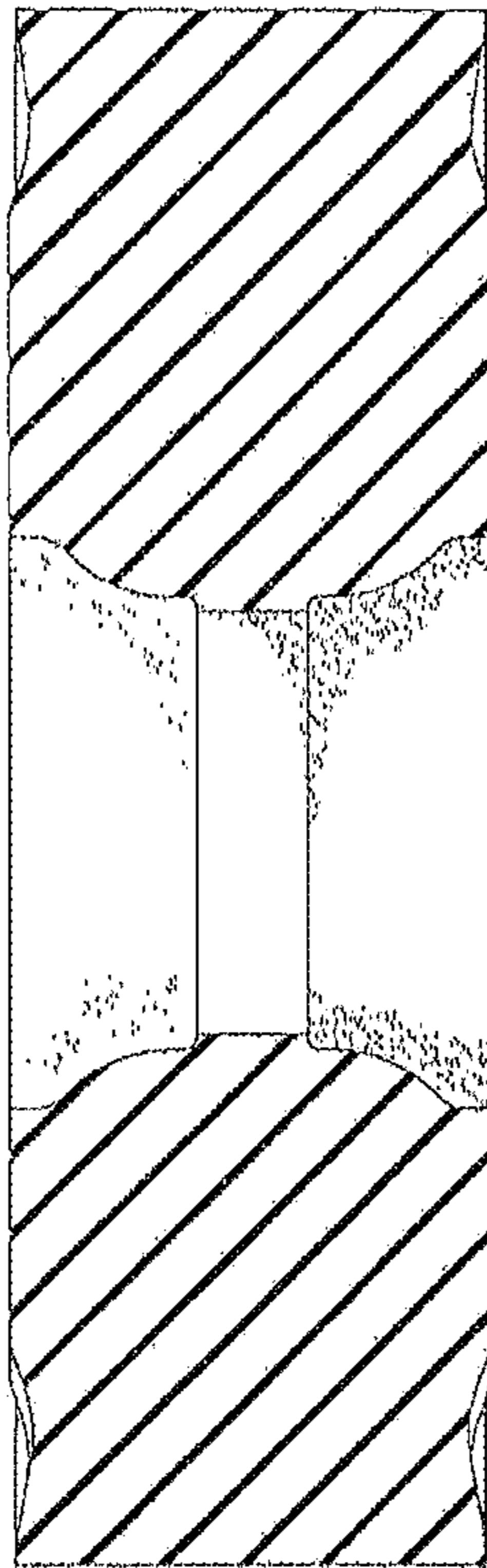


FIG. 7

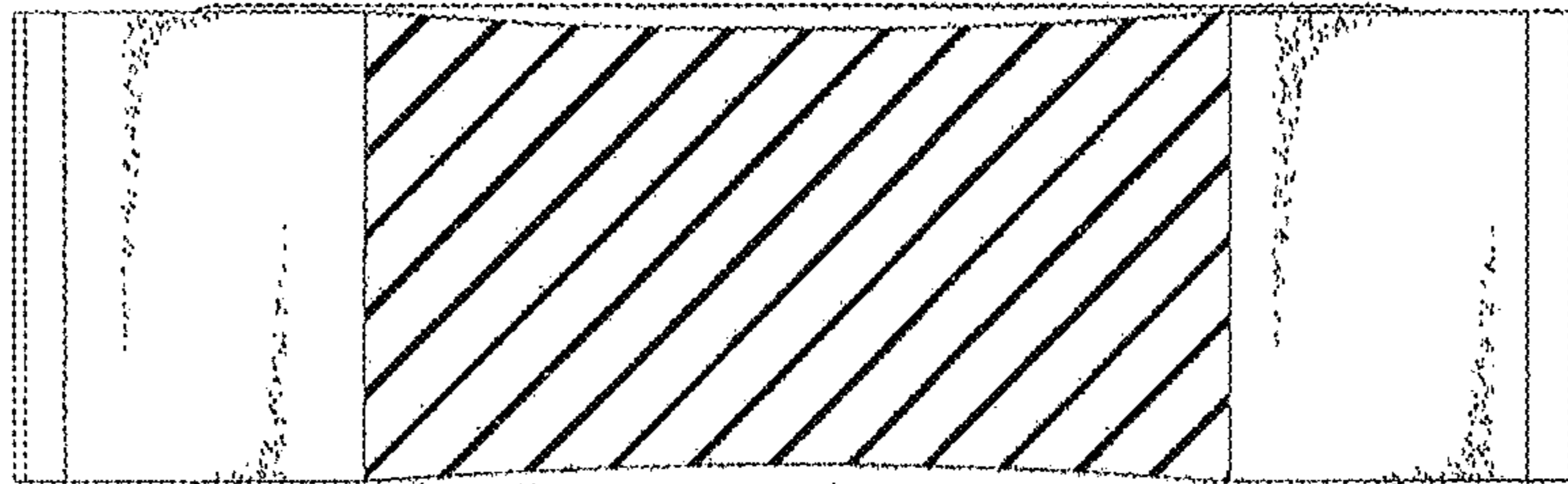


FIG. 8

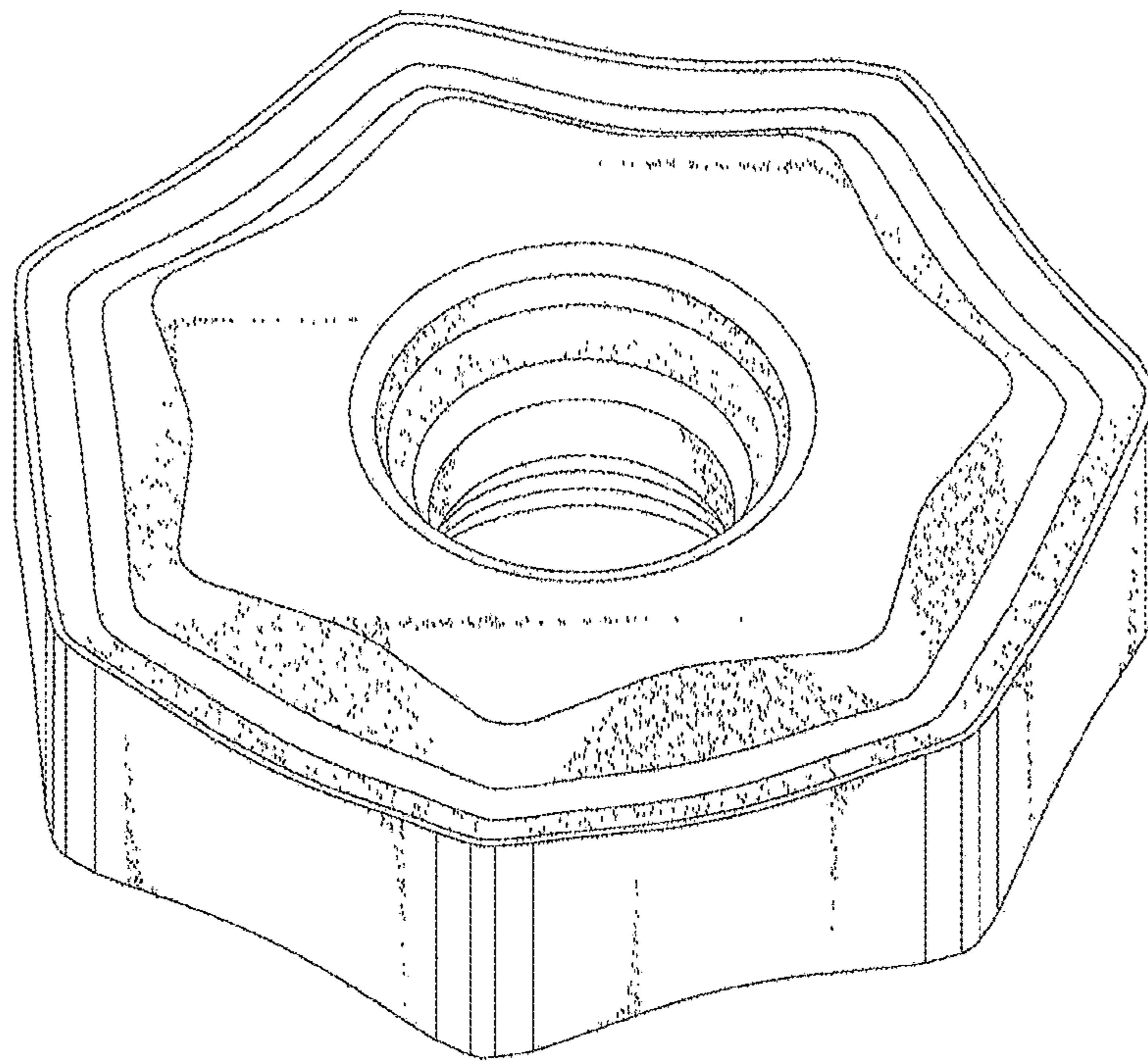


FIG. 9

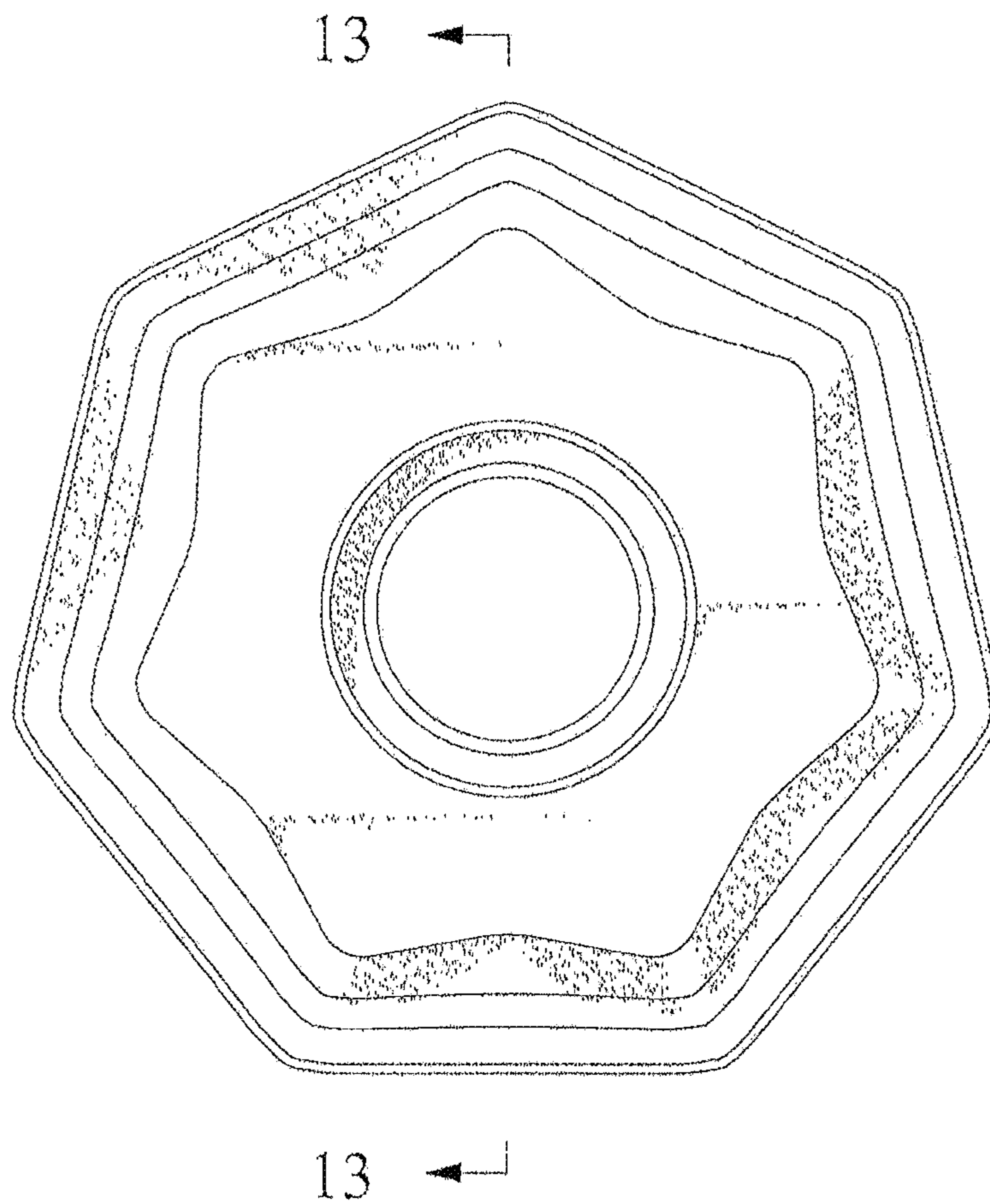


FIG. 10

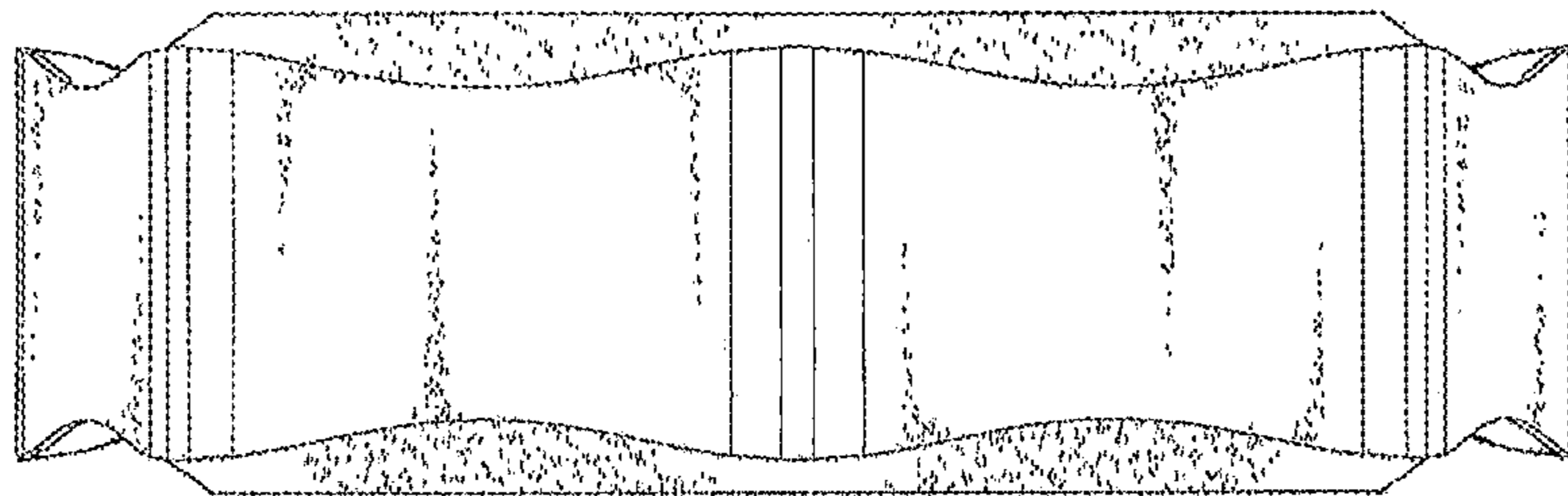


FIG. 11

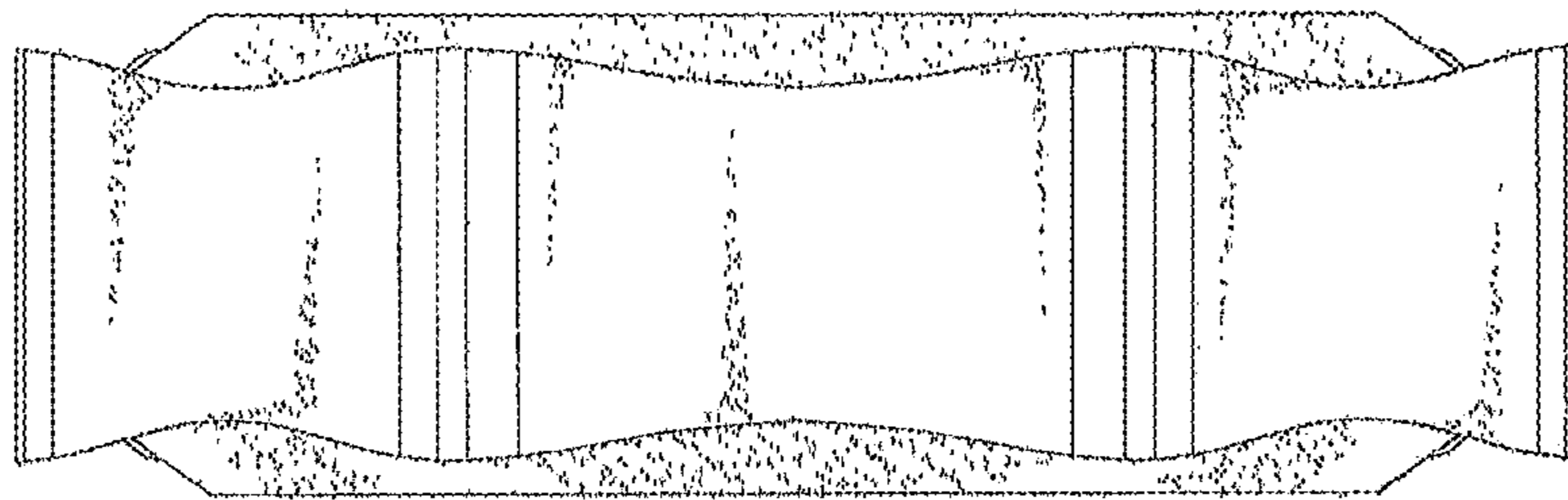


FIG. 12

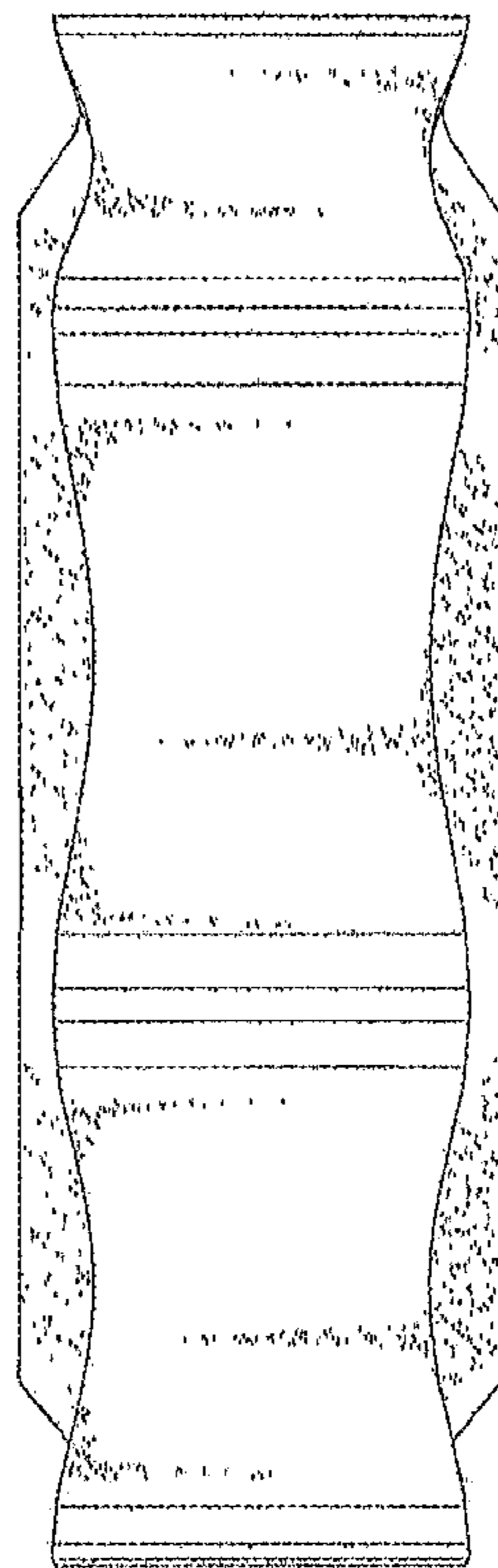


FIG. 13

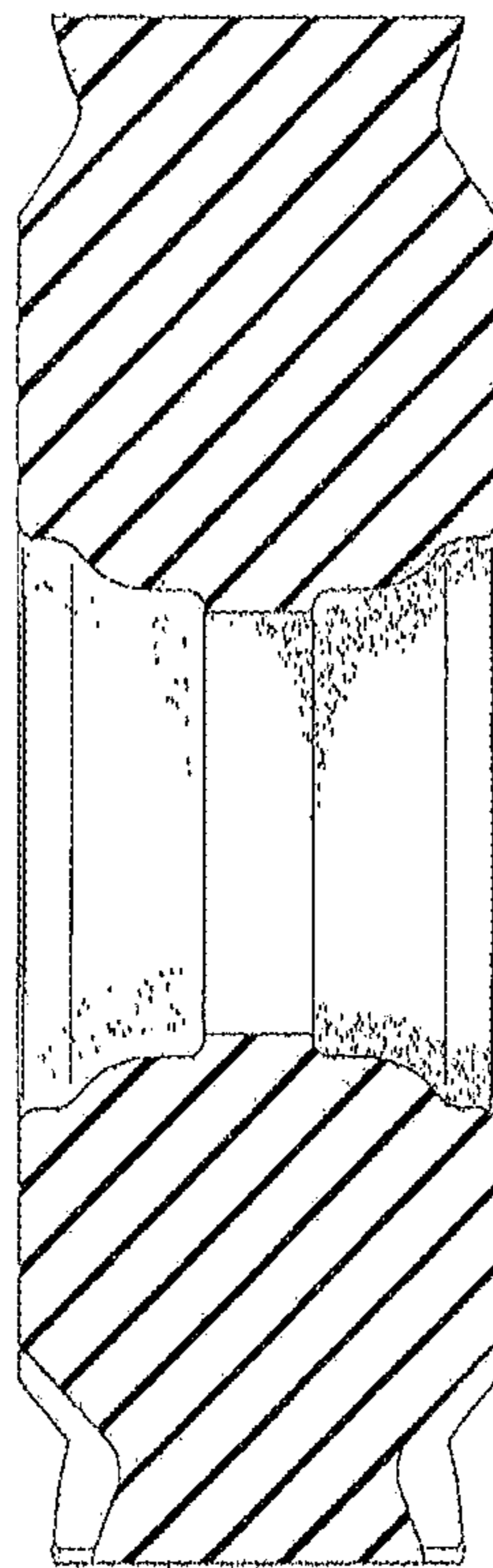


FIG. 14

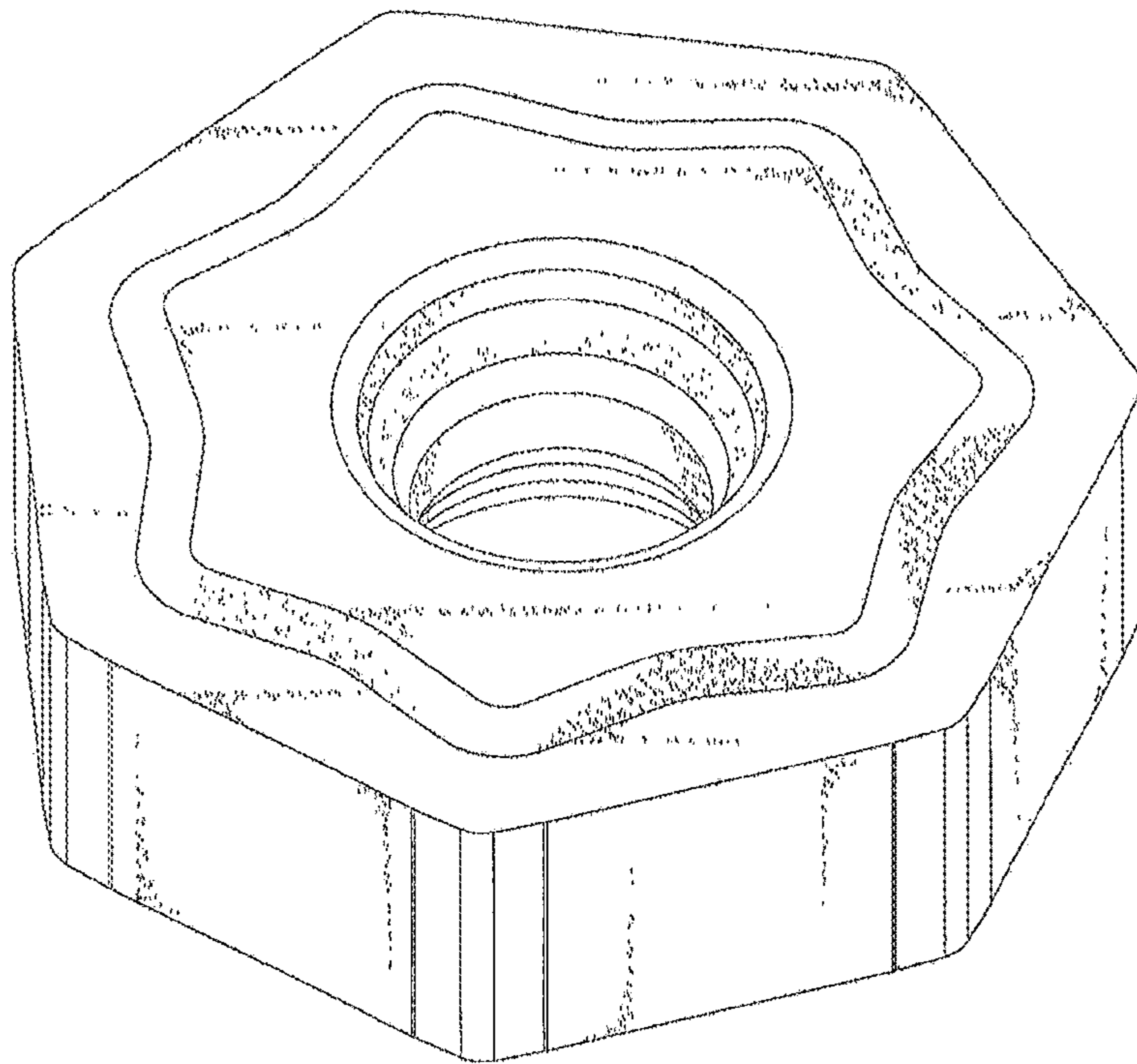


FIG. 15

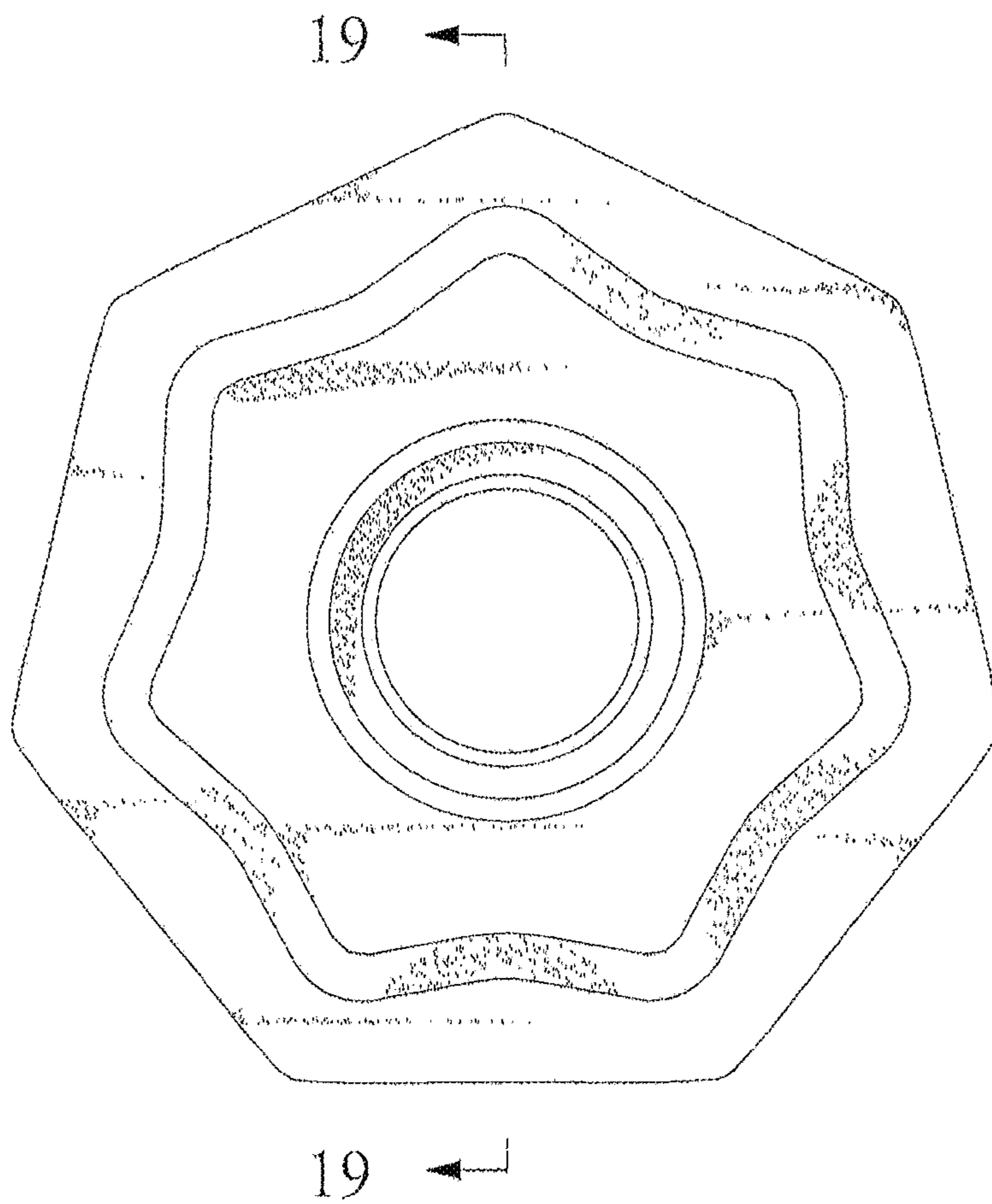


FIG. 16

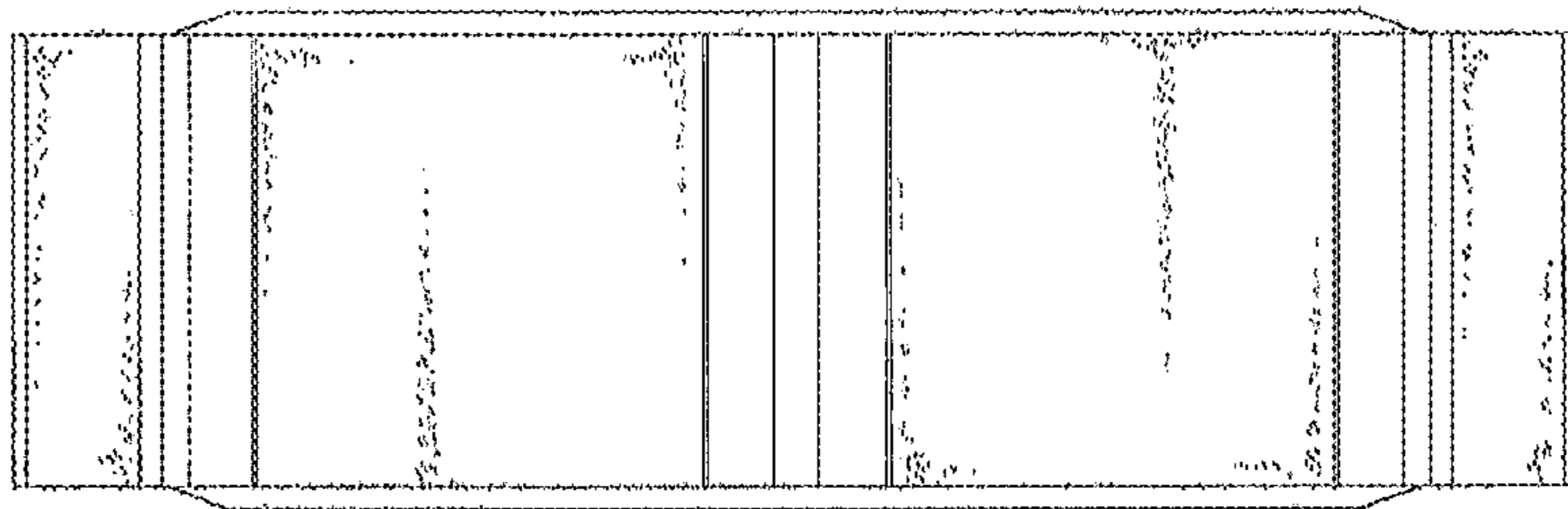


FIG. 17

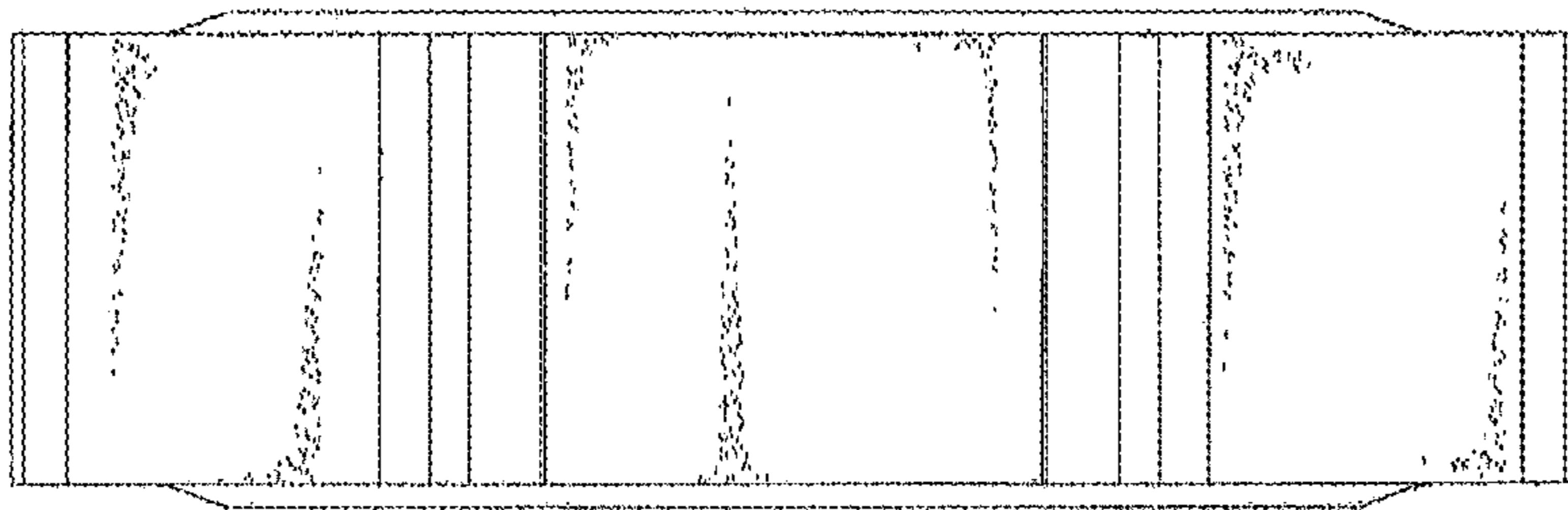


FIG. 18

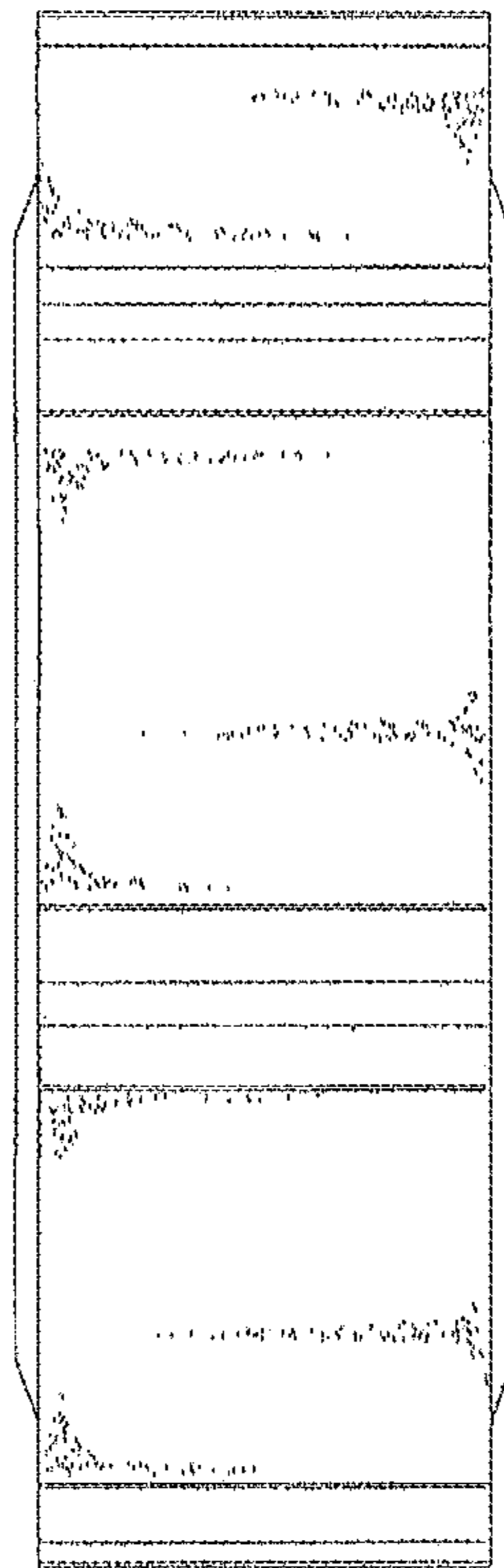


FIG. 19

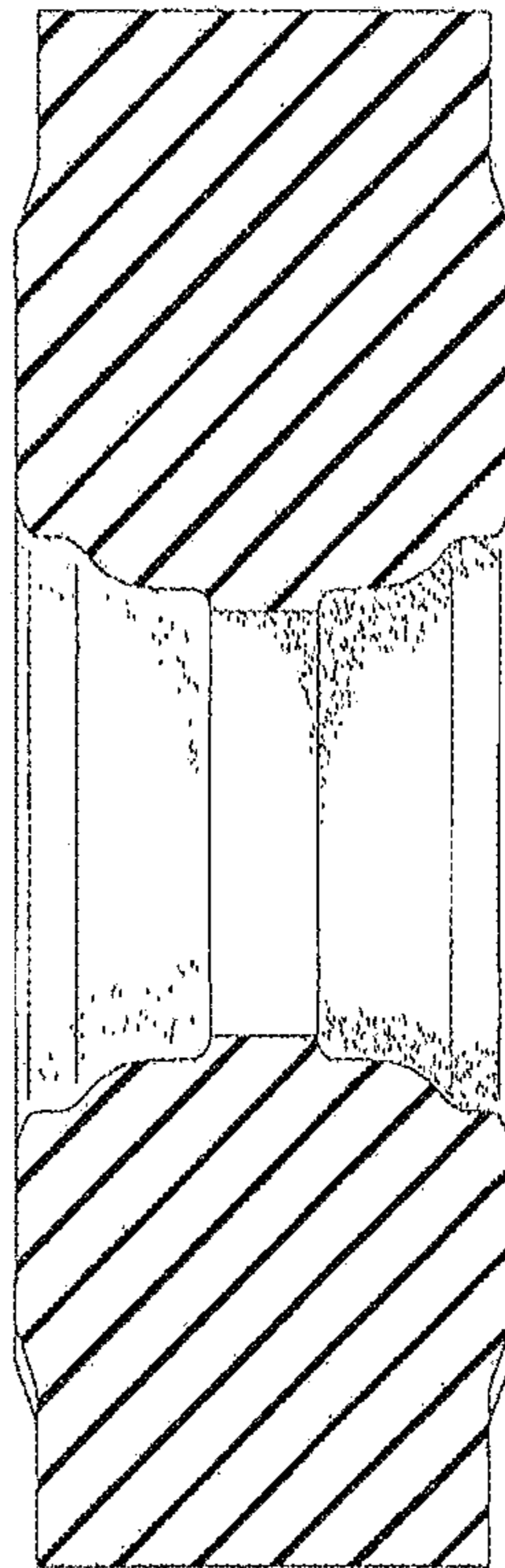


FIG. 20
(NEW)

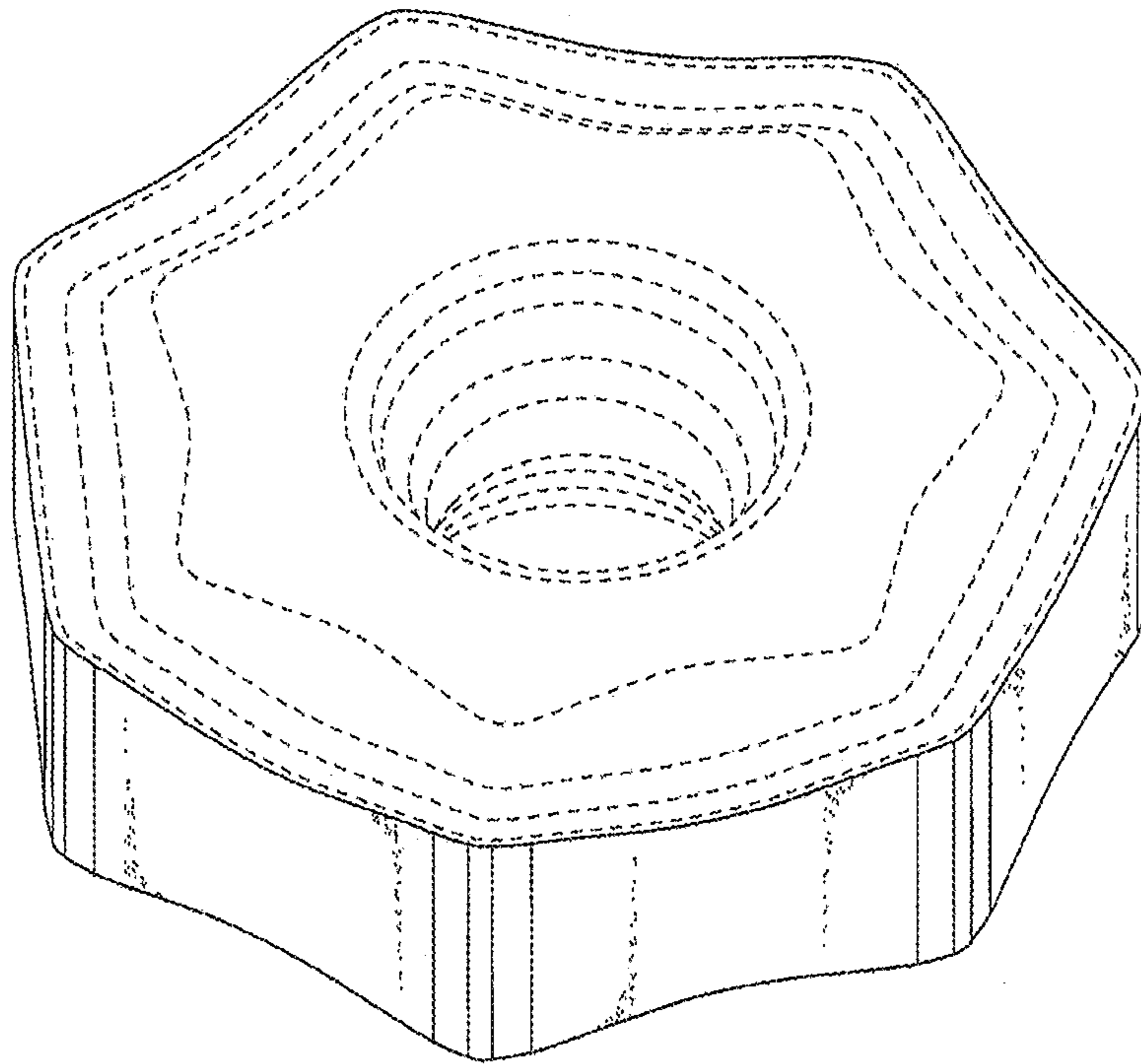


FIG. 21
(NEW)

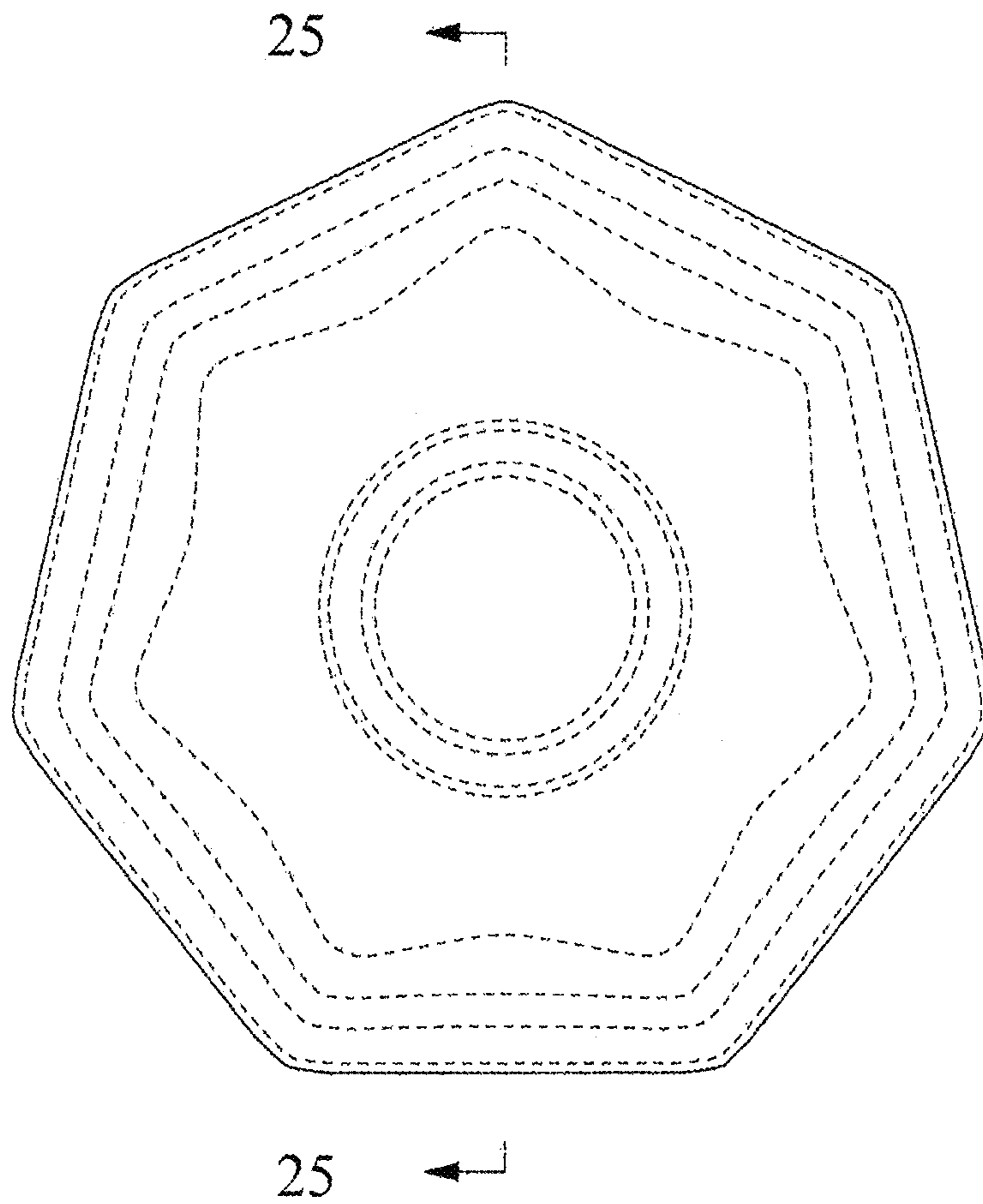


FIG. 22
(NEW)

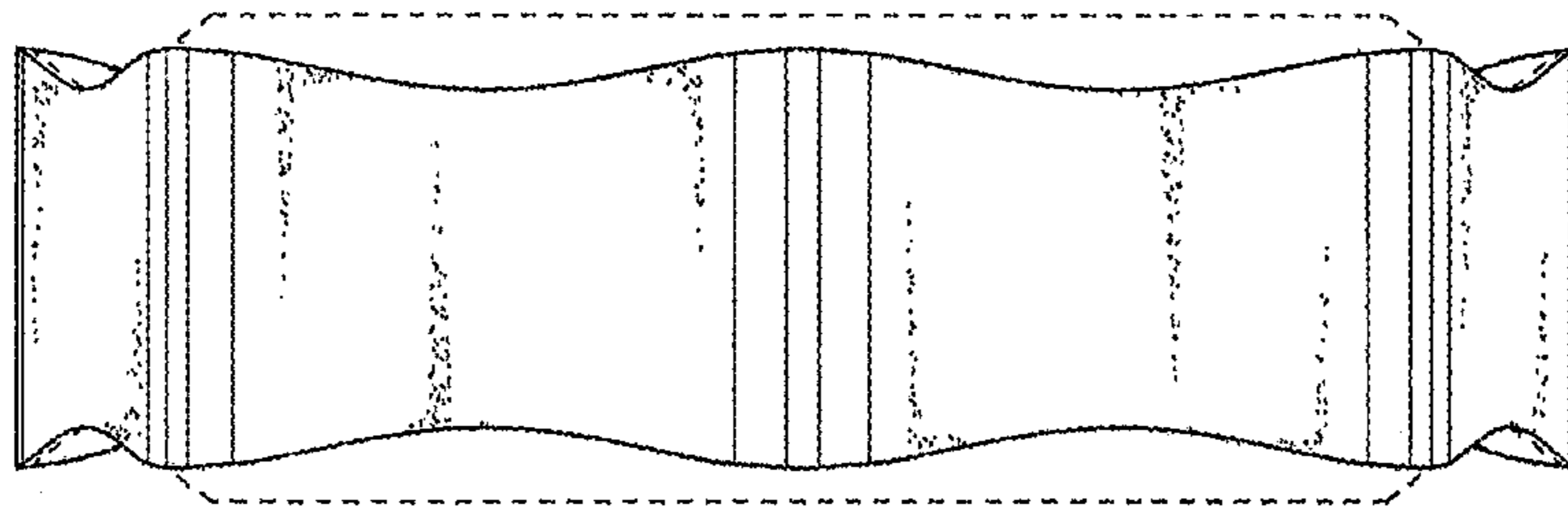


FIG. 23
(NEW)

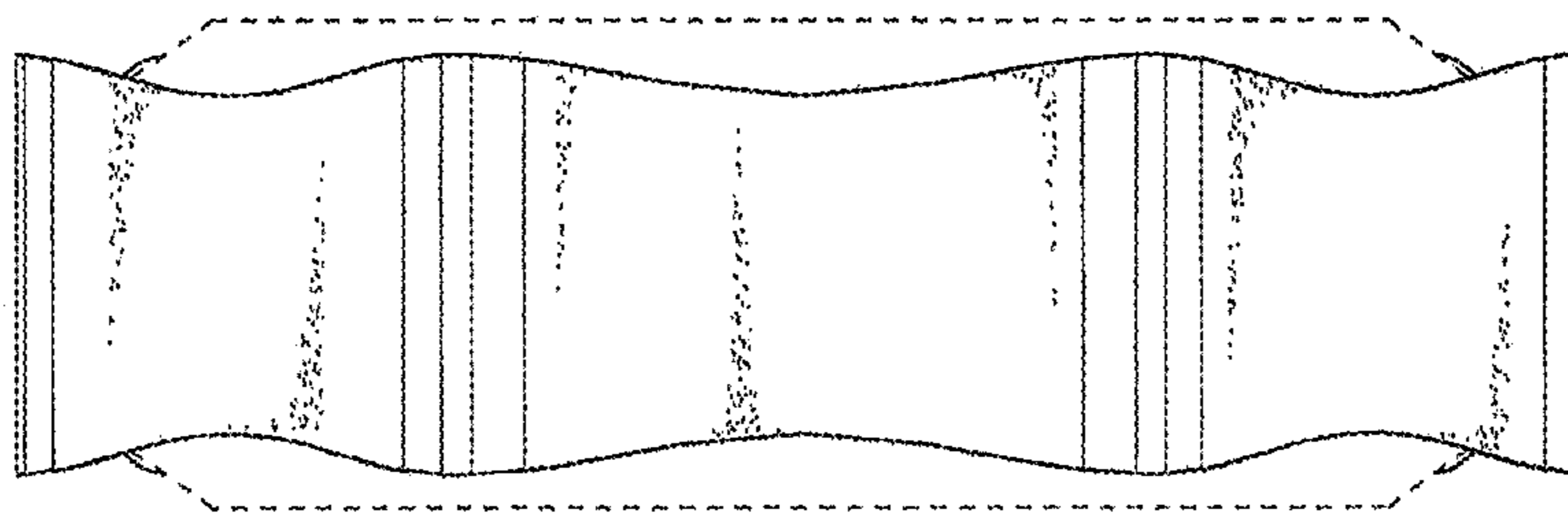


FIG. 24
(NEW)

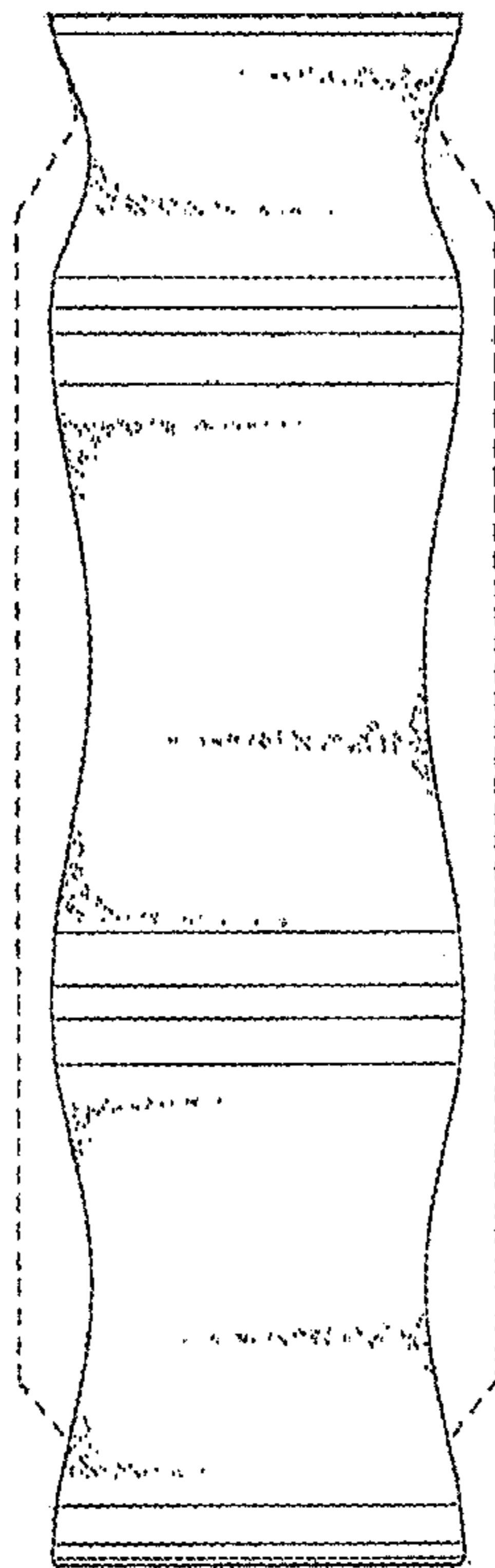


Fig. 25
NEW

