

US00RE46176E

(19) **United States**
(12) **Reissued Patent**
Paterson et al.

(10) **Patent Number: US RE46,176 E**
(45) **Date of Reissued Patent: Oct. 11, 2016**

(54) **WATER CLOSET**

- (71) Applicant: **Kohler Co.**, Kohler, WI (US)
- (72) Inventors: **Nicholas W. Paterson**, Sheboygan, WI (US); **Cecile Thalmann**, Muiden (NL)
- (73) Assignee: **KOHLER CO.**, Kohler, WI (US)
- (21) Appl. No.: **29/533,014**
- (22) Filed: **Jul. 13, 2015**

Related U.S. Patent Documents

Reissue of:

- (64) Patent No.: **Des. 621,918**
Issued: **Aug. 17, 2010**
Appl. No.: **29/343,895**
Filed: **Sep. 21, 2009**

U.S. Applications:

- (62) Division of application No. 29/429,793, filed on Aug. 16, 2012, now Pat. No. Re. 45,669, which is an application for the reissue of Pat. No. Des. 621,918.
- (51) **LOC (10) Cl.** **23-02**
- (52) **U.S. Cl.**
USPC **D23/295**
- (58) **Field of Classification Search**
USPC D23/295, 296, 301, 303, 313, 315;
D3/273, 302; D9/424, 431; 4/440;
D18/40, 36
CPC E03D 3/12; E03D 11/10; E03D 5/10
See application file for complete search history.

(56) **References Cited**

U.S. PATENT DOCUMENTS

- D203,381 S * 1/1966 Brown D23/299
- 3,251,068 A * 5/1966 Milete E03D 7/00
4/323

(Continued)

FOREIGN PATENT DOCUMENTS

- CN 02374106.6 11/2002
- CN 3302290 11/2002

(Continued)

OTHER PUBLICATIONS

Hastings Bath Collection, "Verso Toilet and Bidet"; HomePortfolio.com online catalog. Copyright 1997-2007; HomePortfolio.com.

(Continued)

Primary Examiner — Phillip S Hyder

(74) *Attorney, Agent, or Firm* — Foley & Lardner LLP

(57) **CLAIM**

The ornamental design for a water closet, as shown and described.

DESCRIPTION

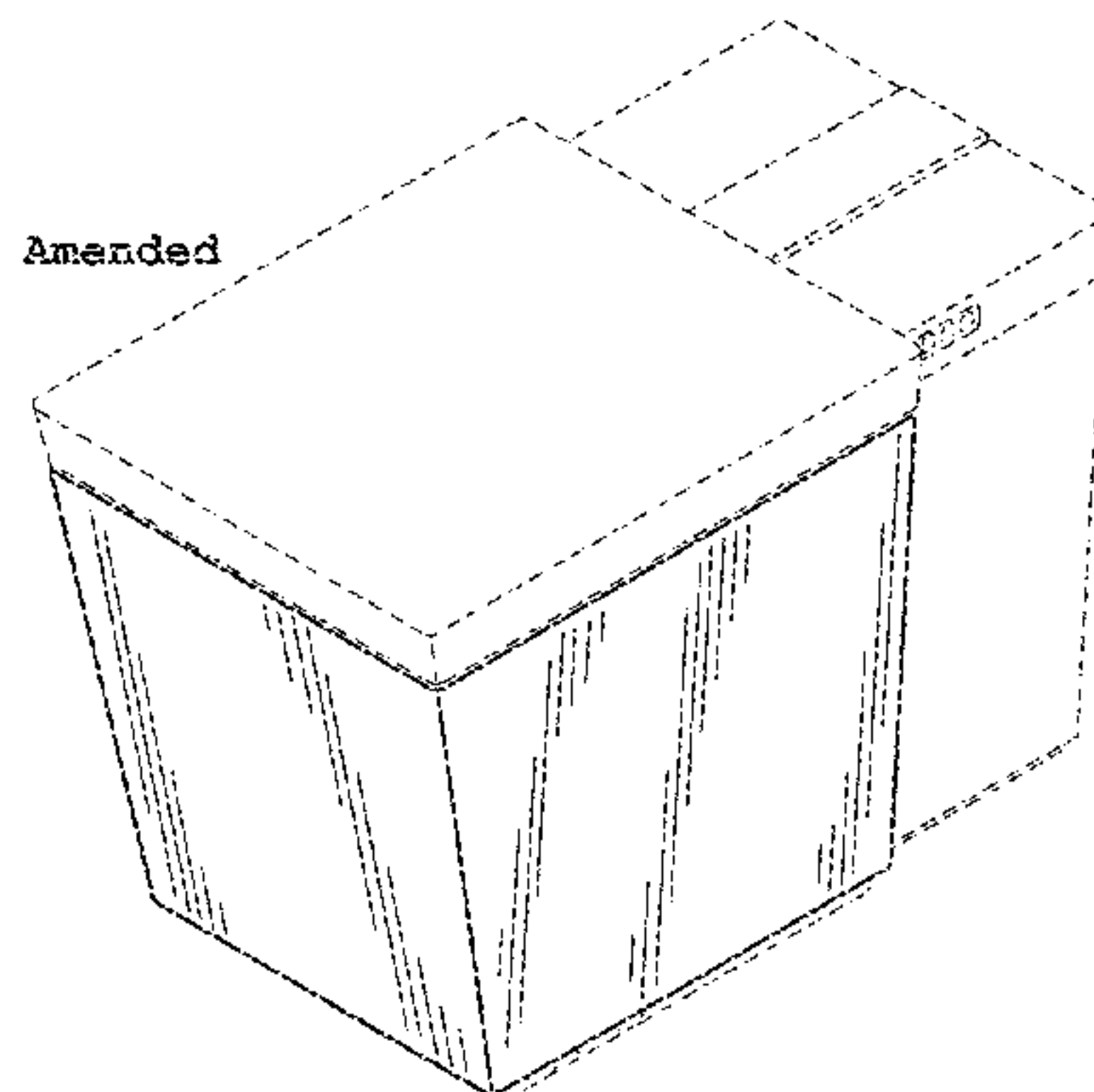
Notice: More than one reissue application has been filed for the reissue of U.S. Pat. No. D627,864; this application is a reissue divisional of application Ser. No. 29/421,144, filed May 17, 2012, which is an application for reissue of U.S. Pat. No. D627,864, both of which are incorporated herein by reference in their entireties; additionally, two other reissue divisional applications are being filed concurrently herewith for the reissue of U.S. Pat. No. D627,864.

FIG. 1 is a right, top, front [perspective] *isometric* view of a water closet, embodying our new design; FIG. 2 is a right side elevational view thereof; FIG. 3 is a left side elevational view thereof; FIG. 4 is a front elevational view thereof; FIG. 5 is a top plan view thereof; FIG. 6 is bottom plan view thereof; and, FIG. 7 is a rear elevational view thereof. The broken line representations in the figures are for the purpose of illustration only, and form no part of the claimed design.

In a preferred embodiment, the nature of this product is a plumbing fixture in the form of a water closet, which is primarily useful for receiving the liquid and solid waste of humans.

1 Claim, 4 Drawing Sheets

Matter enclosed in heavy brackets [] appears in the original patent but forms no part of this reissue; matter printed in italics indicates the additions made by reissue.



US RE46,176 E

Page 2

(56)

References Cited

U.S. PATENT DOCUMENTS

3,939,501 A * 2/1976 Sargent A47K 11/02
4/317
D250,344 S * 11/1978 Sargent D23/299
D255,597 S * 6/1980 Sargent D23/299
D256,722 S * 9/1980 Sargent D23/295
D257,385 S * 10/1980 Sargent D23/299
4,603,443 A * 8/1986 Stewart E03D 5/01
116/227
D299,163 S * 12/1988 Robinson D23/274
D456,710 S * 5/2002 Persson D9/431
D494,667 S 8/2004 Kergoet
D496,444 S 9/2004 Kergoet
D500,126 S * 12/2004 Tani D23/292
D509,575 S 9/2005 Kergoet
D532,492 S * 11/2006 Giese D23/299
D559,367 S 1/2008 Maruhashi
D559,961 S 1/2008 Maruhashi
D561,023 S * 2/2008 Jacxsens D9/431
D594,945 S 6/2009 Nakasaki et al.
D603,488 S * 11/2009 Maruhashi D23/295
D612,026 S * 3/2010 Soulier D23/295
D615,173 S 5/2010 Arets

FOREIGN PATENT DOCUMENTS

CN 200630050690.8 1/2003
CN 3376251 9/2003

CN 3652563 4/2006
CN 300730493 12/2006
CN 300894410 2/2007
CN 300739614 4/2007
CN 300801484 7/2007
CN 200730349563.2 11/2007
CN 300894410 2/2008
CN 300905381 3/2008
CN 300917296 3/2008
EM 000110531-0002 4/2004
EM 00026450-0005 2/2005
EM 000264502-0001 2/2005
EM 000264502-0002 2/2005
EM 000264502-0005 2/2005
EM 000284502-0002 2/2005
EM 000833835-0002 1/2008
JP 843438 4/1992
JP 843438-2 4/1992
JP 843438-3 4/1992
JP 843438-3 9/1992
JP 1283637 9/2006

OTHER PUBLICATIONS

Kohler Co., "Escale Dual Flush Toilet Tank"; HomePortfolio.com online catalog. Copyright 1997-2007 HomePortfolio.com.
Duravit, "2ndFloor"; Model No. 011009; Duravit.com online catalog. Copyright 2008 Duravit.

* cited by examiner

FIG. 1
Amended

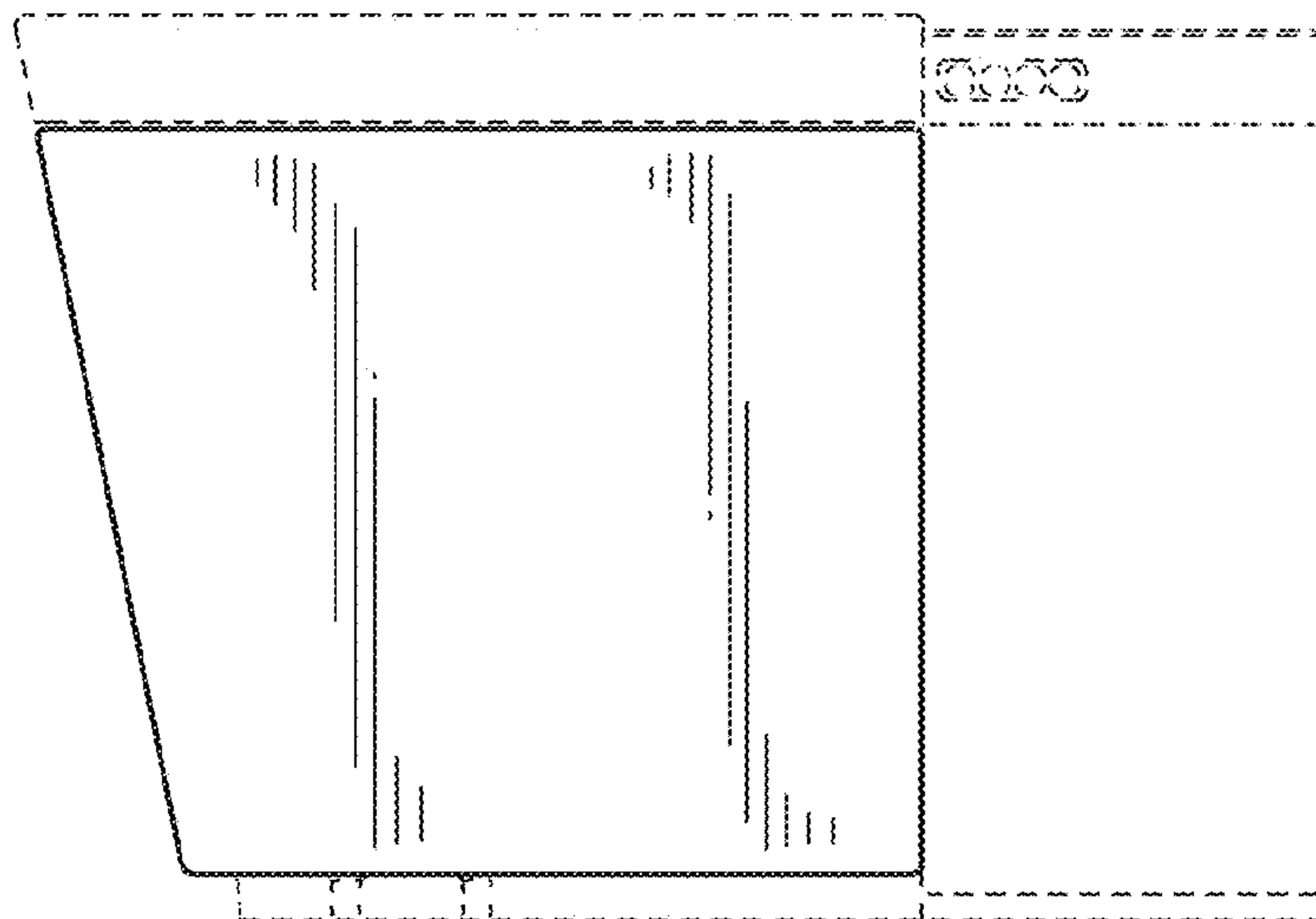
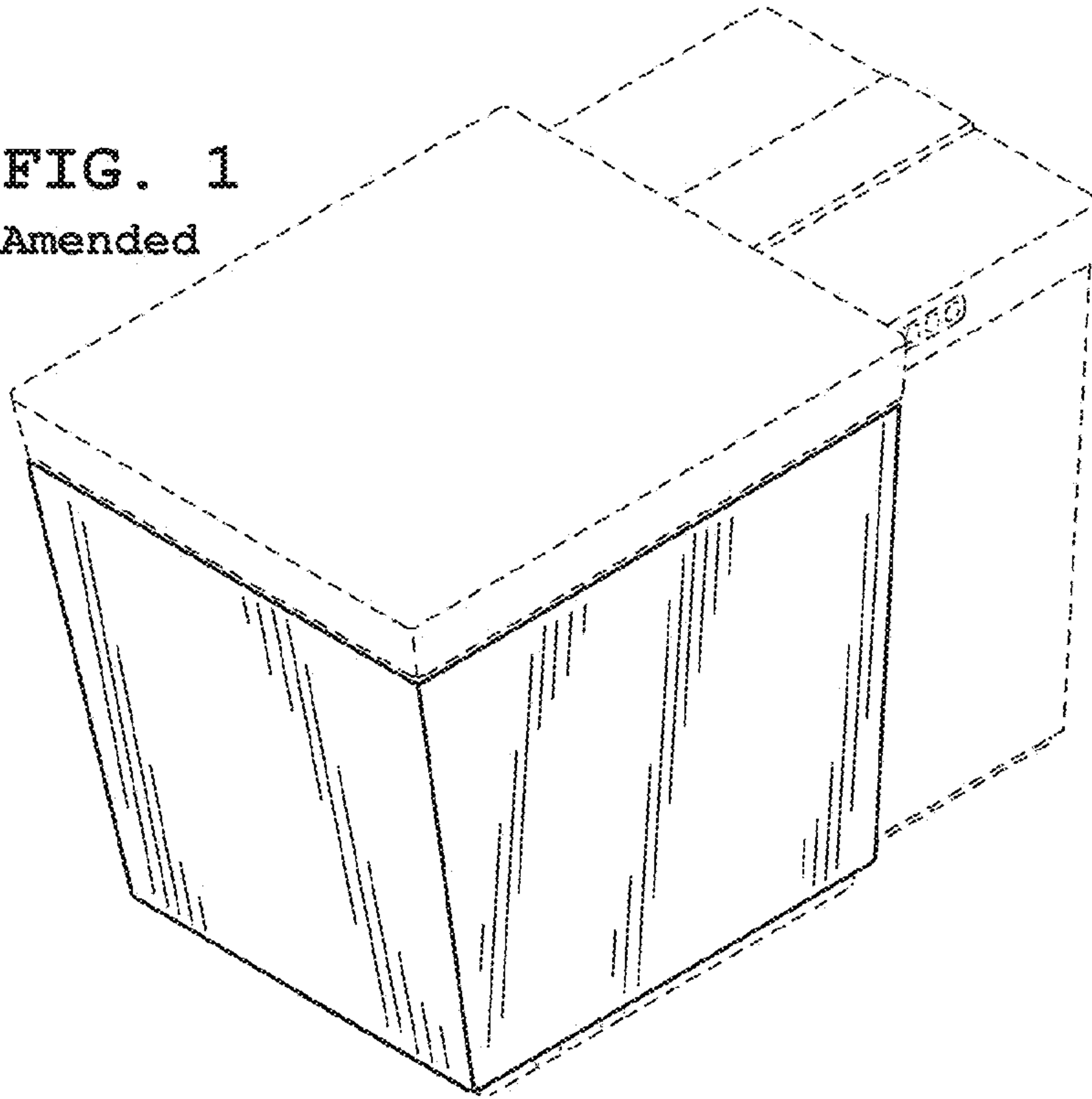


FIG. 2
Amended

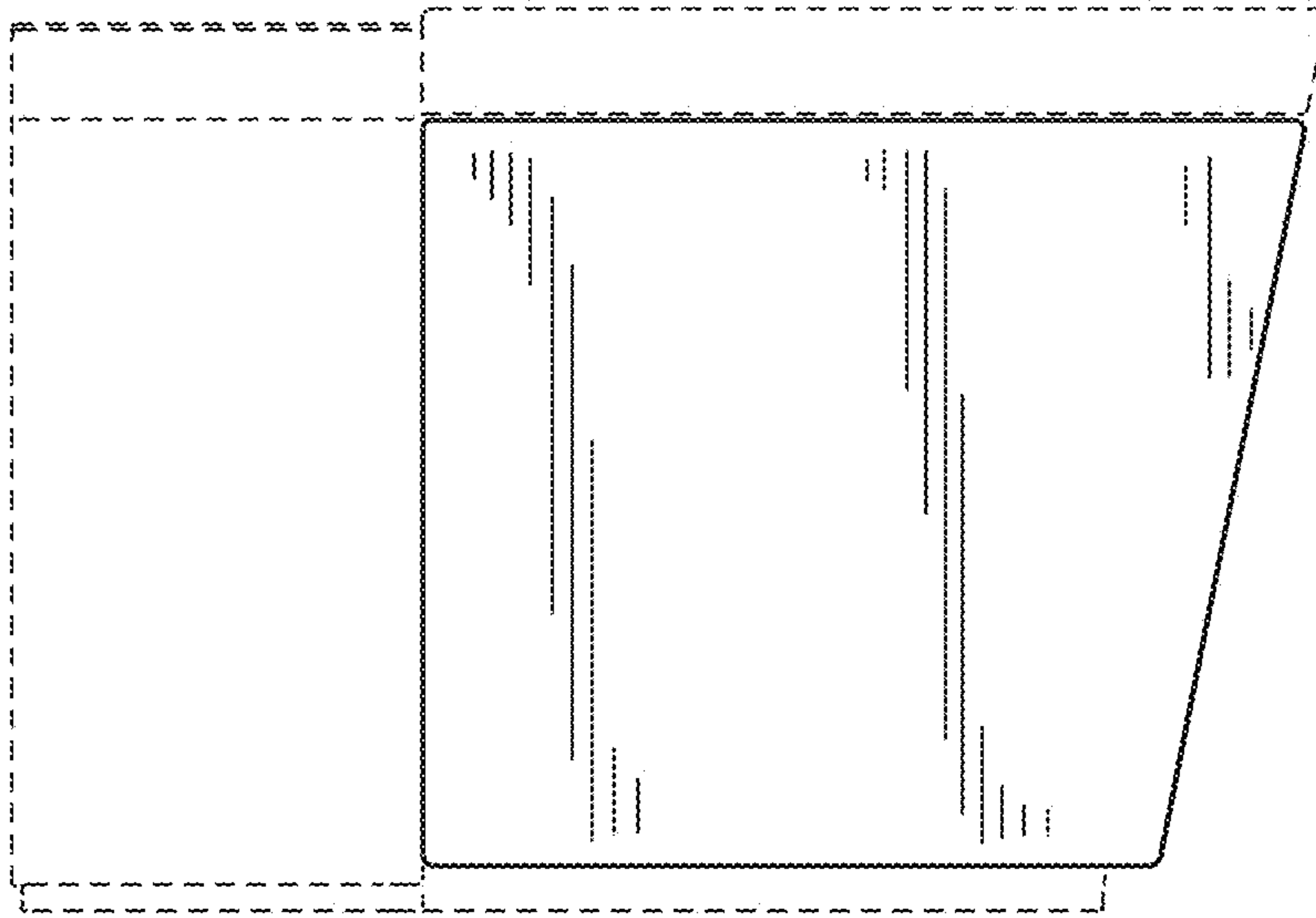


FIG. 3

Amended

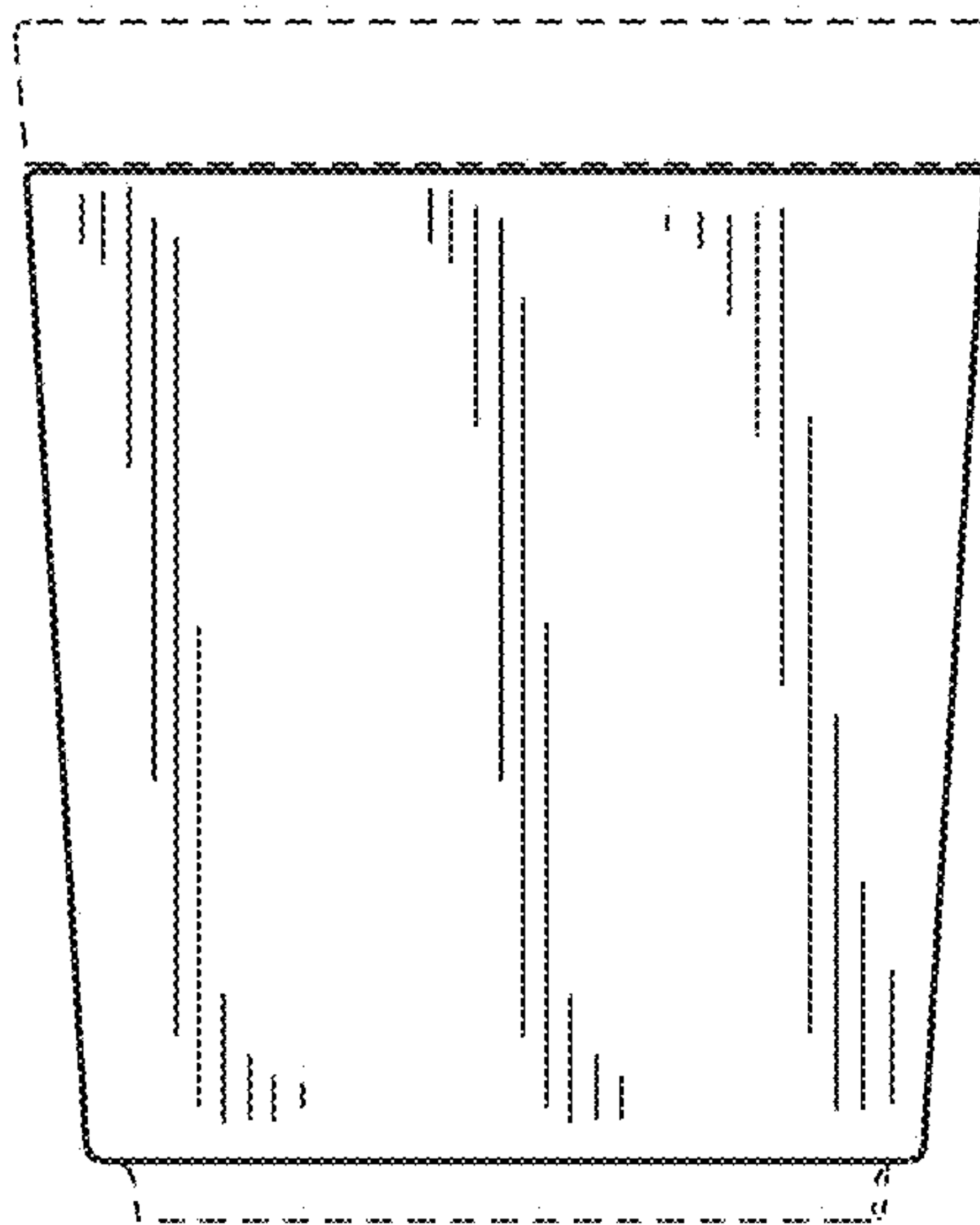


FIG. 4

Amended

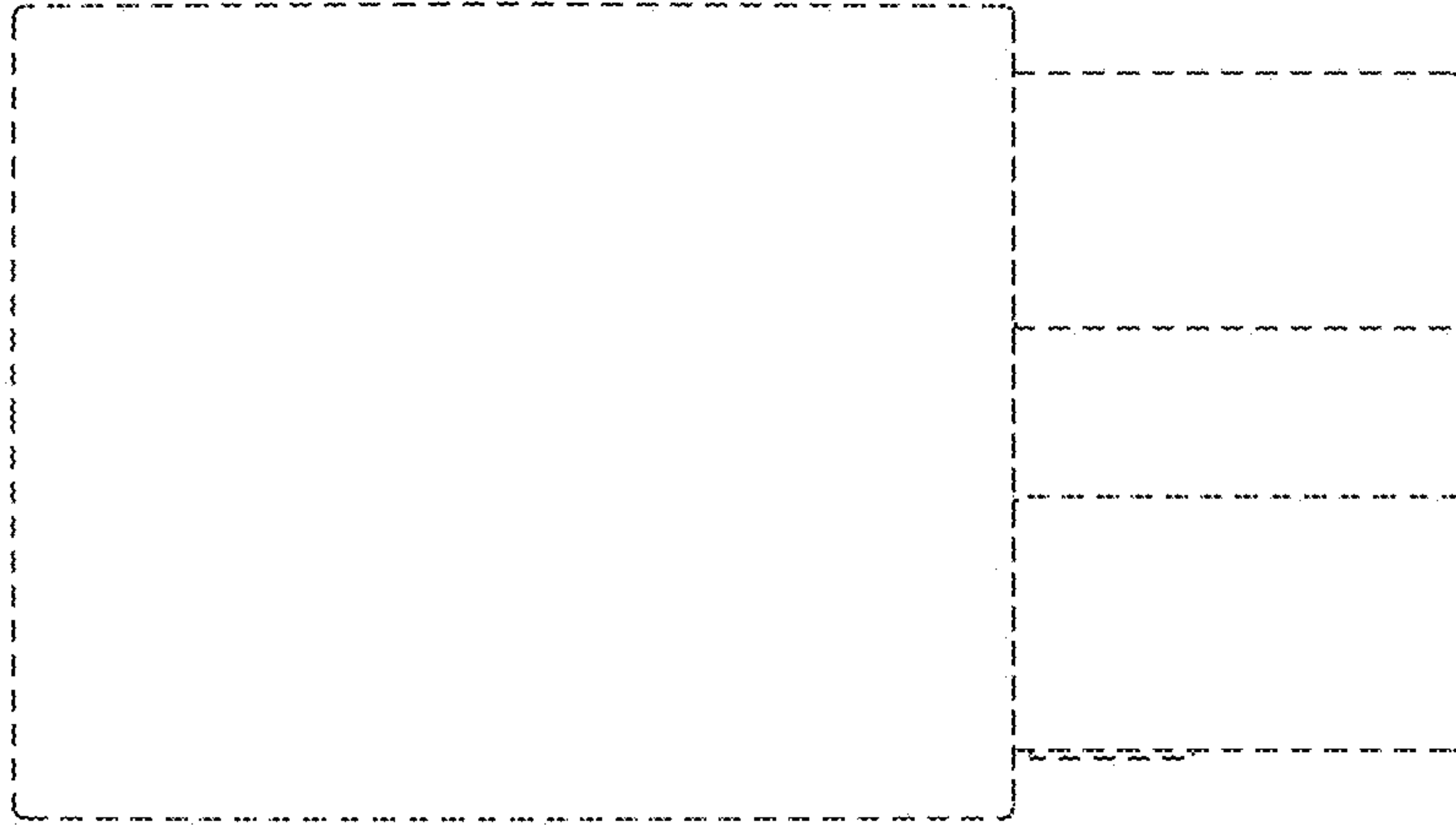


FIG. 5

Amended

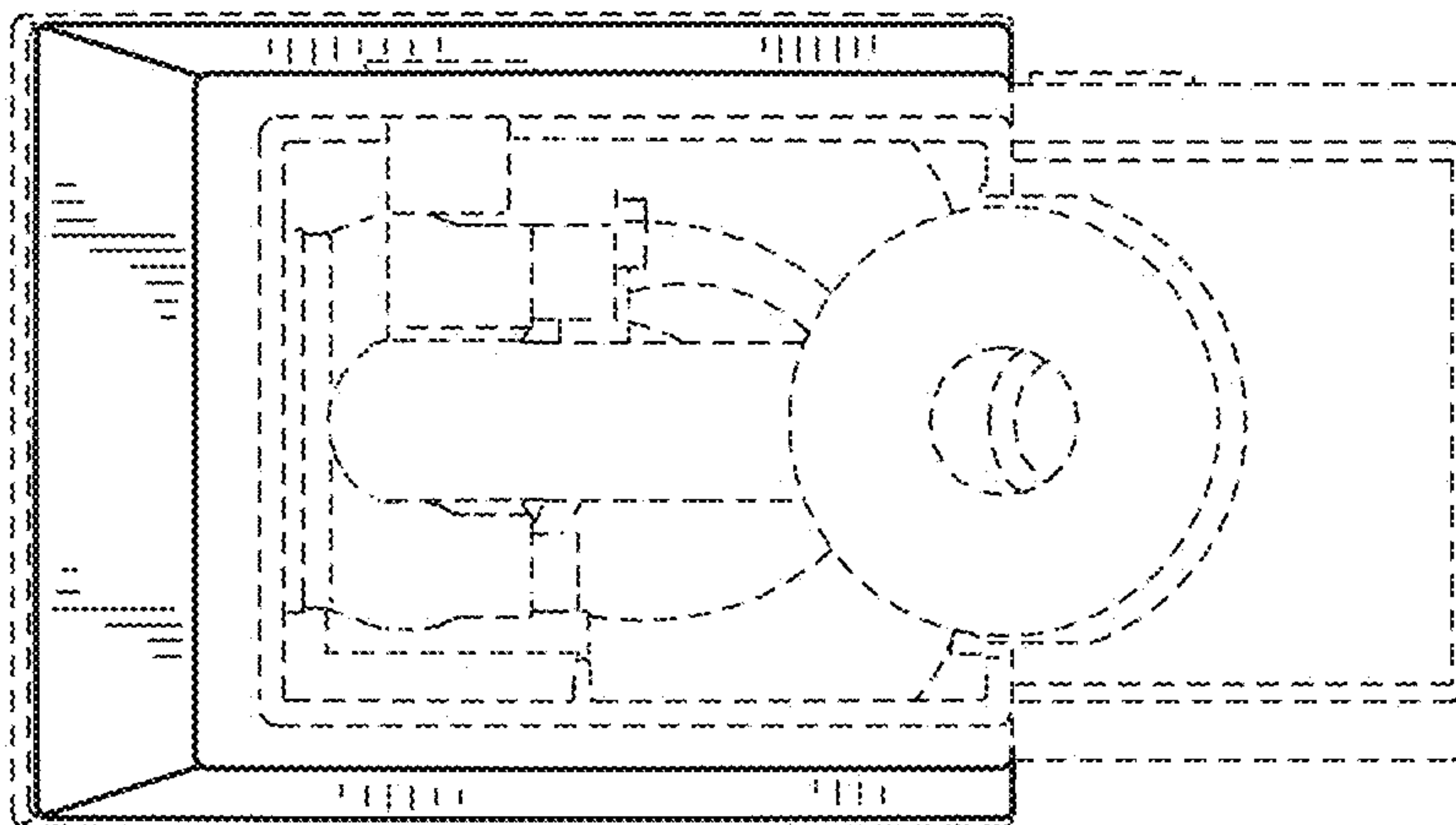


FIG. 6

Amended

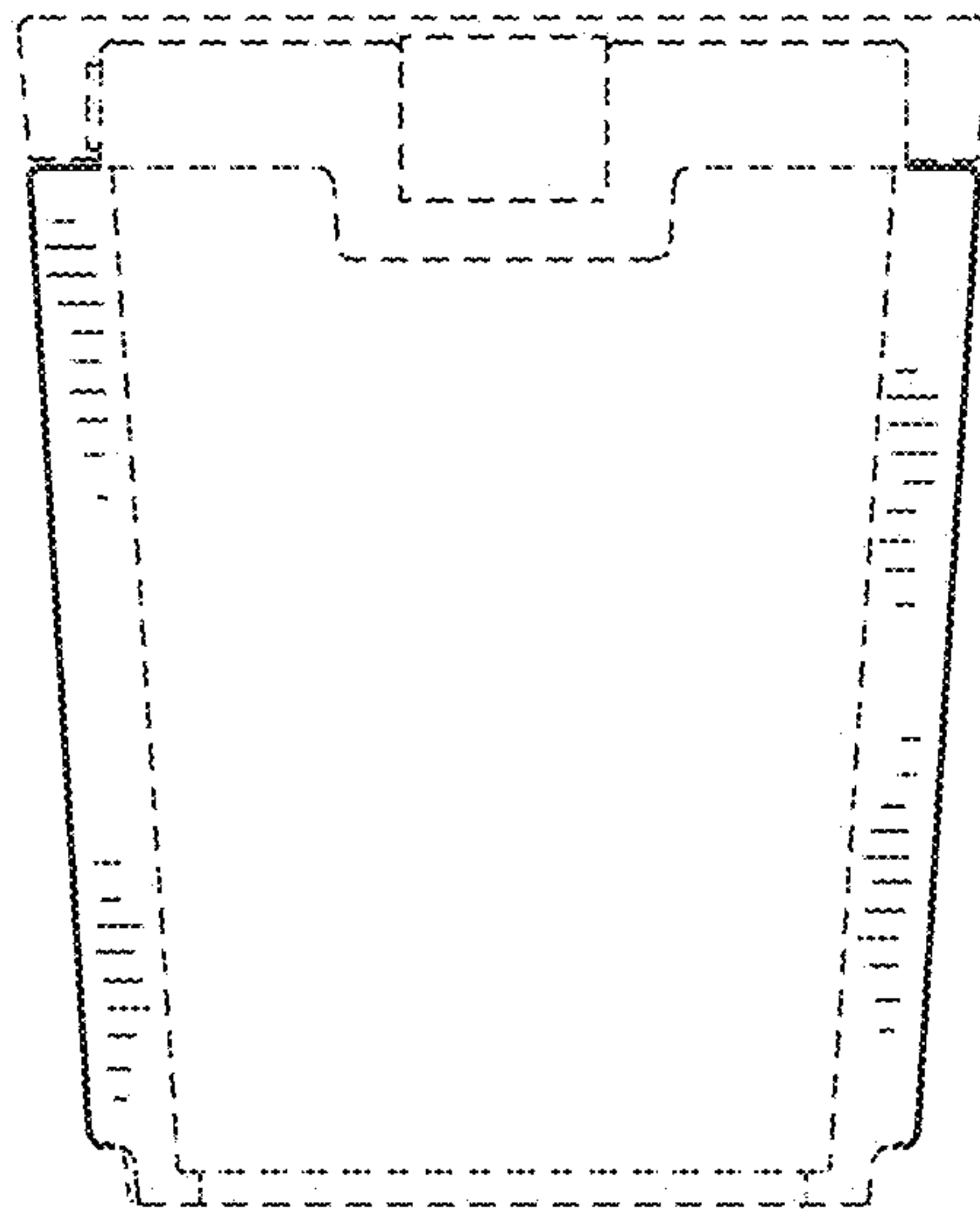


FIG. 7
Amended