

US00RE46163E

(19) **United States**  
(12) **Reissued Patent**  
**Peddicord**

(10) **Patent Number: US RE46,163 E**  
(45) **Date of Reissued Patent: Sep. 27, 2016**

(54) **STIMULATION DEVICE**

(56) **References Cited**

U.S. PATENT DOCUMENTS

(71) Applicant: **INCONTROL MEDICAL, LLC**,  
Brookfield, WI (US)  
(72) Inventor: **Herschel Peddicord**, Longboat Key, FL  
(US)  
(73) Assignee: **InControl Medical, LLC**, Brookfield,  
WI (US)  
(21) Appl. No.: **29/529,605**  
(22) Filed: **Jun. 9, 2015**

3,403,684 A	10/1968	Steibel et al.	
3,800,800 A	4/1974	Garbe et al.	
D320,087 S	9/1991	Sholzberg et al.	
5,199,443 A	4/1993	Maurer et al.	
5,314,465 A	5/1994	Maurer et al.	
5,370,671 A	12/1994	Maurer et al.	
5,376,064 A	12/1994	Cerny	
5,385,577 A	1/1995	Maurer et al.	
D384,156 S *	9/1997	Kain .....	D24/200
5,662,699 A	9/1997	Hamed et al.	
5,800,501 A	9/1998	Sherlock	
5,875,778 A	3/1999	Vroegop	
5,881,731 A	3/1999	Remes	
6,190,307 B1	2/2001	Tsai	
6,289,894 B1	9/2001	Remes	
6,625,495 B1	9/2003	Alon et al.	
6,741,895 B1	5/2004	Gafni et al.	
6,905,471 B2	6/2005	Leivseth et al.	
D536,097 S	1/2007	Nan	
D536,797 S	2/2007	Klearman et al.	
D546,964 S	7/2007	Wu	
D555,798 S	11/2007	Nan	
D555,799 S	11/2007	Nan	
D558,356 S	12/2007	Nan	
7,341,566 B2	3/2008	Nan	
D579,573 S	10/2008	Nan	
7,438,681 B2	10/2008	Kobashikawa et al.	
D585,560 S	1/2009	Wu	
D592,758 S	5/2009	Kain	
7,534,203 B2	5/2009	Gil	
7,577,476 B2	8/2009	Hochman et al.	
D603,523 S	11/2009	Nan et al.	
D606,206 S	12/2009	Nan et al.	
D606,207 S	12/2009	Nan et al.	
D606,208 S	12/2009	Nan et al.	
D615,663 S	5/2010	Nan	
D643,128 S *	8/2011	Mohamed .....	D24/215
D648,442 S *	11/2011	Caggiano .....	D24/215
D653,350 S	1/2012	Chen	
8,509,900 B2	8/2013	Boyd et al.	
2004/0054392 A1	3/2004	Dijkman	
2007/0149903 A1	6/2007	Nan	
2008/0009775 A1	1/2008	Murison	
2008/0119767 A1	5/2008	Berry et al.	
2009/0005714 A1	1/2009	Mecenero	
2009/0171144 A1	7/2009	Squicciarini	

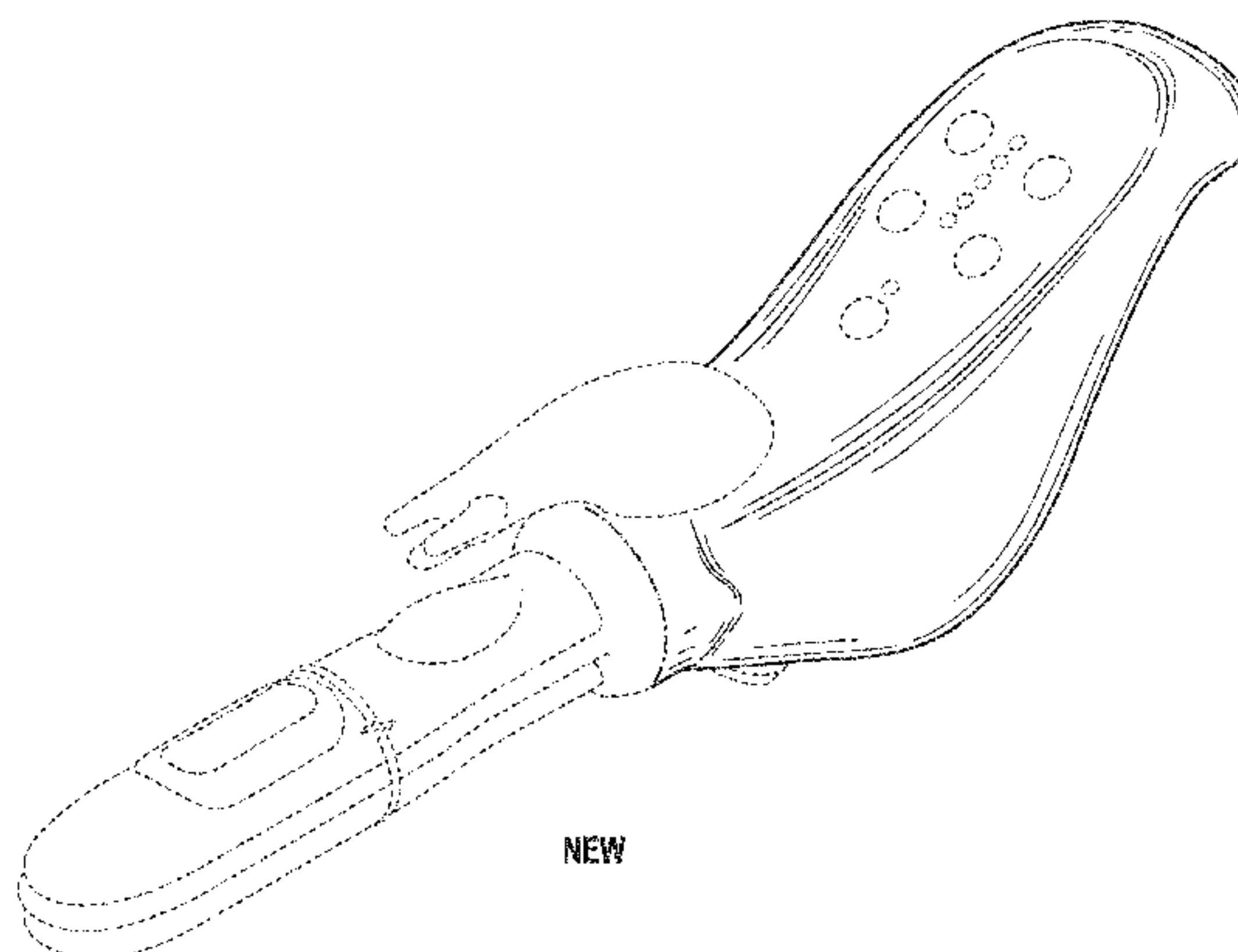
**Related U.S. Patent Documents**

Reissue of:

(64) Patent No.: **Des. 674,503**  
Issued: **Jan. 15, 2013**  
Appl. No.: **29/426,577**  
Filed: **Jul. 6, 2012**

U.S. Applications:

(60) Division of application No. 29/484,554, filed on Mar. 11, 2014, now Pat. No. Re. 45,585, which is an application for the reissue of Pat. No. Des. 674,503, which is a division of application No. 29/394,434, filed on Jun. 16, 2011, now Pat. No. Des. 670,398, which is a continuation-in-part of application No. 29/382,734, filed on Jan. 6, 2011, now Pat. No. Des. 652,526.  
(51) **LOC (10) Cl.** ..... **28-03**  
(52) **U.S. Cl.**  
USPC ..... **D24/215**  
(58) **Field of Classification Search**  
USPC ..... D24/211-215, 141  
CPC .. A61H 19/34; A61H 19/44; A61H 23/0263;  
A61H 23/0254; A61H 2205/087  
See application file for complete search history.



2009/0228064	A1	9/2009	Boyd et al.
2009/0270963	A1	10/2009	Pelger et al.
2009/0275796	A1	11/2009	Gil
2010/0004707	A1	1/2010	Hochman et al.
2010/0041944	A1	2/2010	Levy
2010/0087703	A1	4/2010	Gabrielidis
2010/0106216	A1	4/2010	Cha et al.
2010/0174136	A1	7/2010	Shim
2010/0174137	A1	7/2010	Shim
2011/0034834	A1	2/2011	Lapi
2011/0034837	A1	2/2011	Lee
2011/0105837	A1	5/2011	Lee
2011/0230802	A1	9/2011	Nan
2014/0200646	A1	7/2014	Boyd et al.

OTHER PUBLICATIONS

Notice of Allowance for U.S. Appl. No. 29/382,734, mailed on Sep. 13, 2011, 10 pages.  
 Notice of Allowance for U.S. Appl. No. 29/394,433, mailed on Jun. 7, 2012, 13 pages.  
 Notice of Allowance for U.S. Appl. No. 29/394,434, mailed on Jun. 19, 2012, 13 pages.  
 Notice of Allowance for U.S. Appl. No. 29/414,097, mailed on Jun. 22, 2012, 13 pages.

\* cited by examiner

Primary Examiner — Phillip S Hyder  
 (74) Attorney, Agent, or Firm — Foley & Lardner LLP

(57) **CLAIM**

I claim the ornamental design for a stimulation device, as shown and described.

**DESCRIPTION**

[FIG. 1 is a perspective view of an embodiment of the claimed design;]

[FIG. 2 is a top view of the claimed design of FIG. 1;]

[FIG. 3 is a bottom view of the claimed design of FIG. 1;]

[FIG. 4 is a right side view of the claimed design of FIG. 1;]

[FIG. 5 is a left side view of the claimed design of FIG. 1;]

[FIG. 6 is a front view of the claimed design of FIG. 1;]

[FIG. 7 is a rear view of the claimed design of FIG. 1;]

[FIG. 8 is a perspective view of an embodiment of the claimed design;]

[FIG. 9 is a top view of the claimed design of FIG. 8;]

[FIG. 10 is a bottom view of the claimed design of FIG. 8;]

[FIG. 11 is a right side view of the claimed design of FIG. 8;]

[FIG. 12 is a left side view of the claimed design of FIG. 8;]

[FIG. 13 is a front view of the claimed design of FIG. 8; and,]

[FIG. 14 is a rear view of the claimed design of FIG. 8.]

*Notice: More than one reissue application has been filed for the reissue of U.S. Pat. No. D674,503. The present application is a reissue of U.S. Pat. No. D674,503, and is a divisional reissue of U.S. patent application Ser. No. 29/484,554, filed on Mar. 11, 2014, now U.S. Reissued Pat. No. RE45585, which is also a reissue of U.S. Pat. No. D674,503, which is a divisional of U.S. patent application Ser. No. 29/394,434, filed on Jun. 16, 2011, now U.S. Pat. No. D670,398, which is a continuation-in-part of U.S. patent application No. 29/382,734, filed on Jan. 6, 2011, now U.S. Pat. No. D652,526, each of which are incorporated herein by reference in their entireties and for all purposes.*

*FIG. 15 is a perspective view of an embodiment of the claimed design;*

*FIG. 16 is a top view of the claimed design of FIG. 15;*

*FIG. 17 is a bottom view of the claimed design of FIG. 15;*

*FIG. 18 is a right side view of the claimed design of FIG. 15;*

*FIG. 19 is a left side view of the claimed design of FIG. 15;*

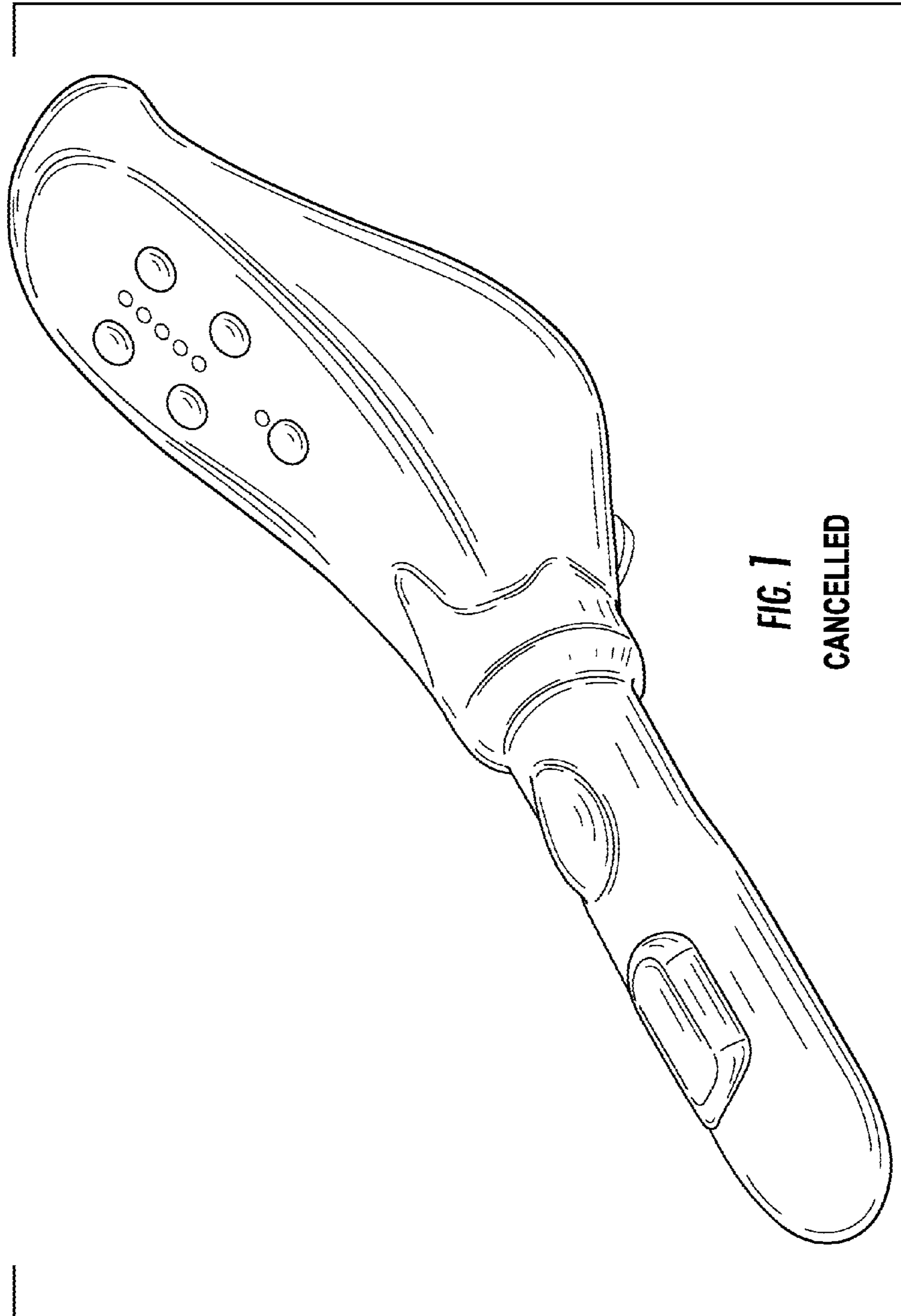
*FIG. 20 is a front view of the claimed design of FIG. 15; and,*

*FIG. 21 is a rear view of the claimed design of FIG. 15.*

The ornamental design which is claimed is shown in solid lines in the drawings. The broken lines in the drawings are for illustrative purposes only and form no part of the claimed design. *Broken lines formed by equal length dashes show unclaimed portions of the design. Broken lines formed by unequal length dashes (i.e., dash-dot) show boundaries between claimed and unclaimed portions of the design.*

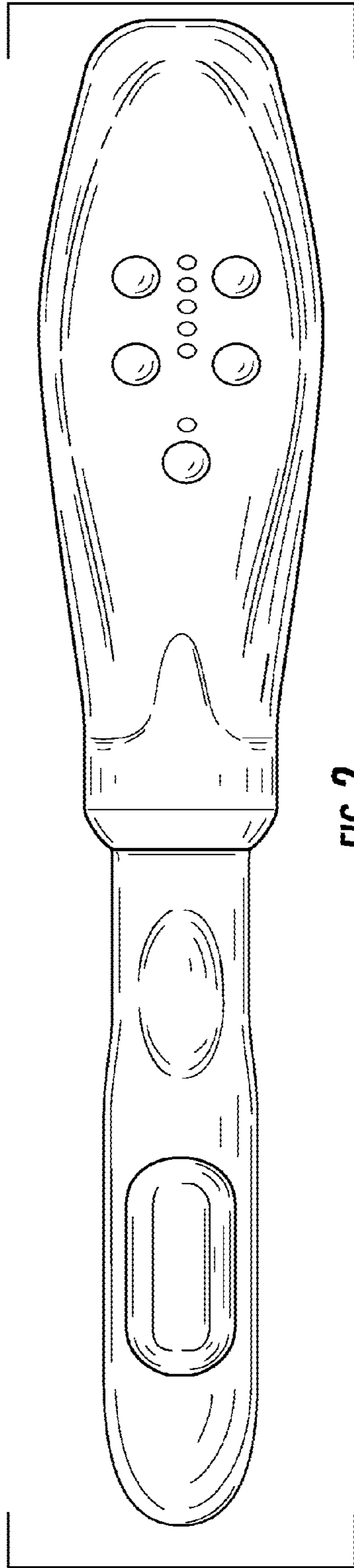
**1 Claim, 15 Drawing Sheets**

**Matter enclosed in heavy brackets [ ] appears in the original patent but forms no part of this reissue; matter printed in italics indicates the additions made by reissue.**

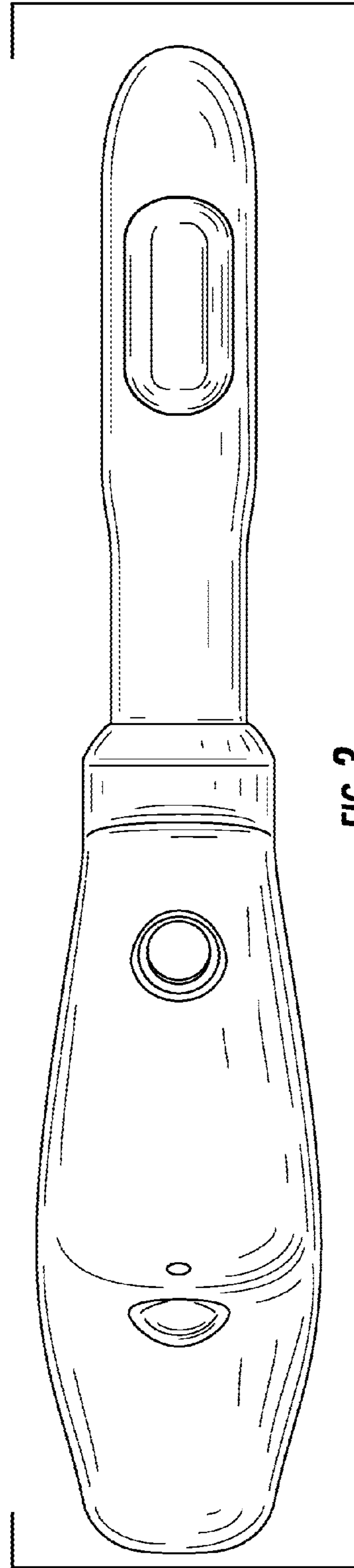


**FIG. 1**  
**CANCELLED**

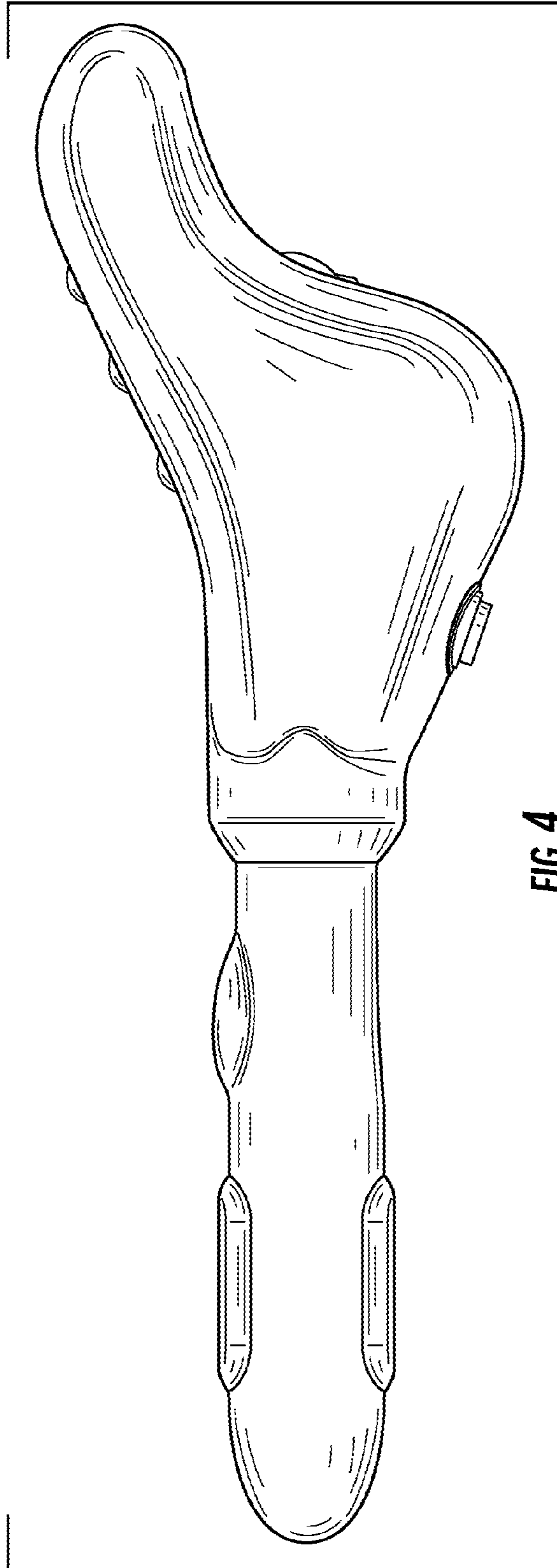




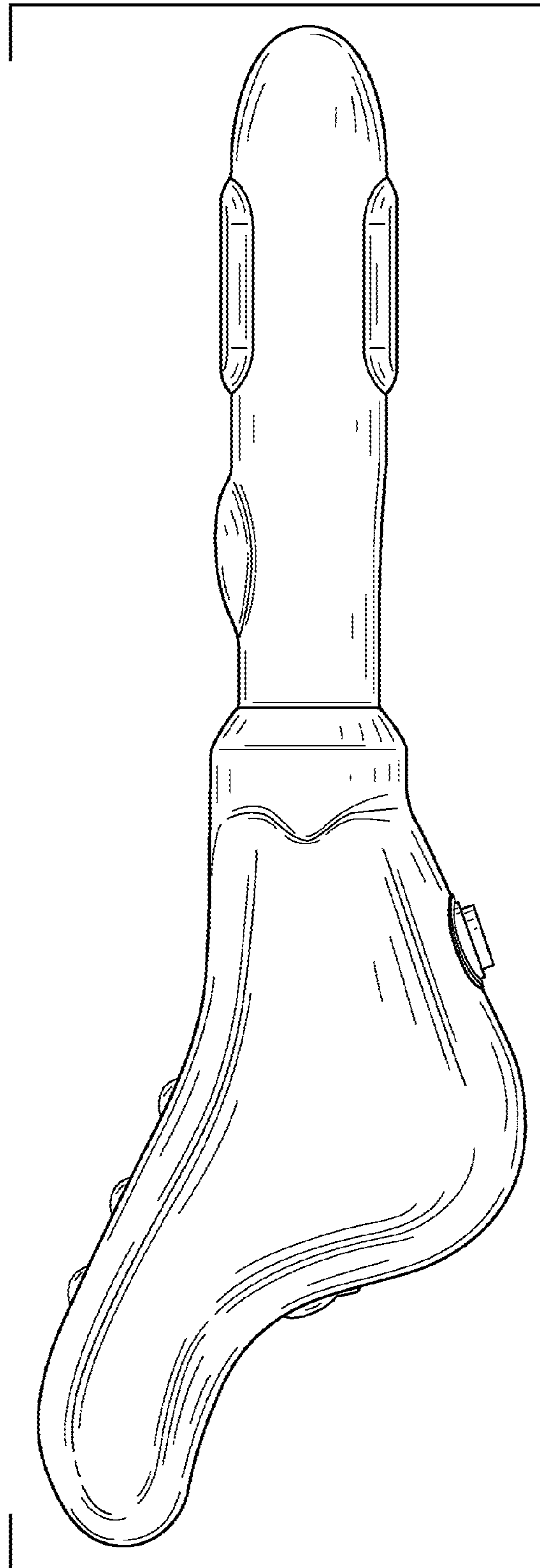
**FIG. 2**  
CANCELLED



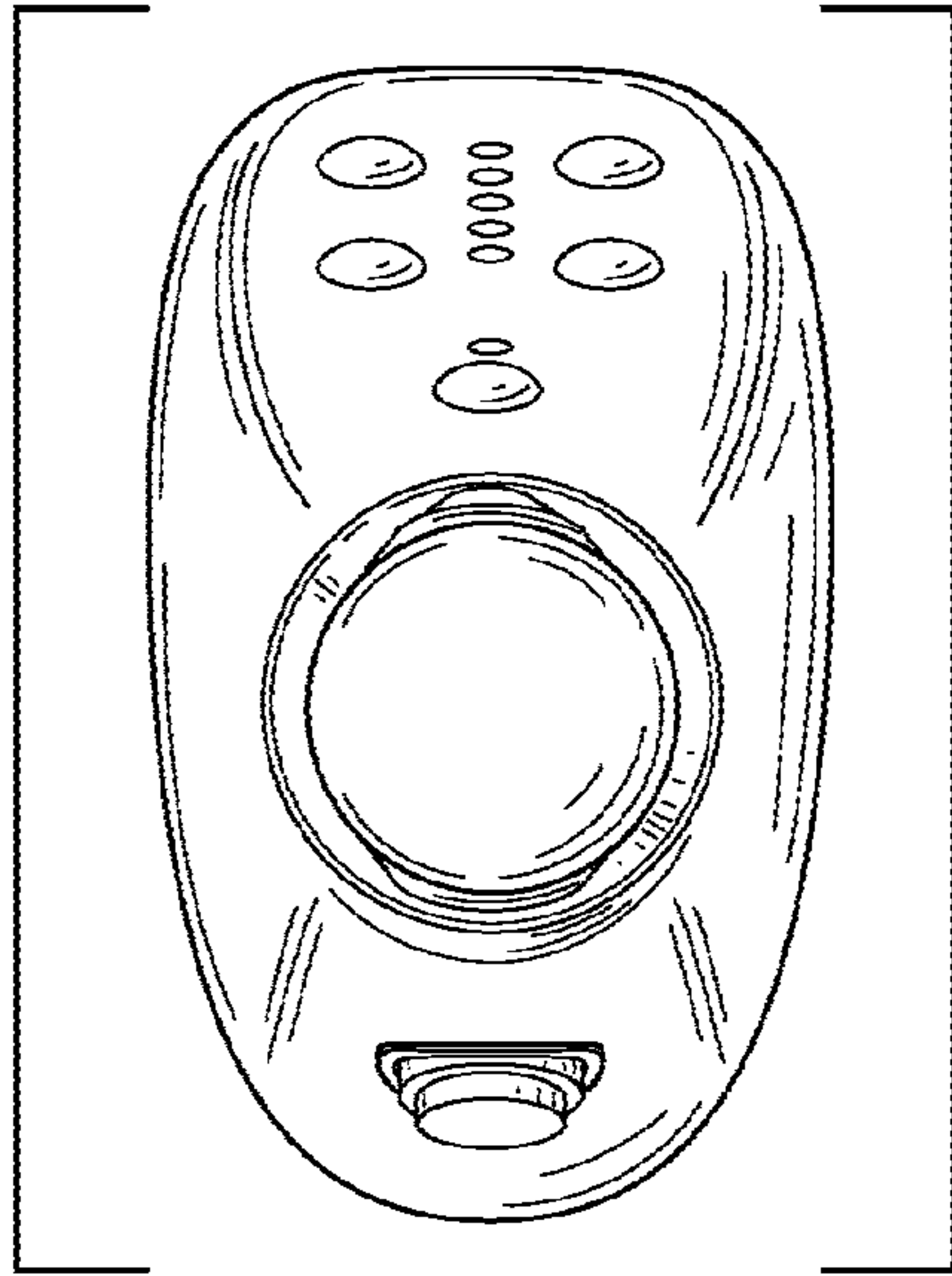
**FIG. 3**  
CANCELLED



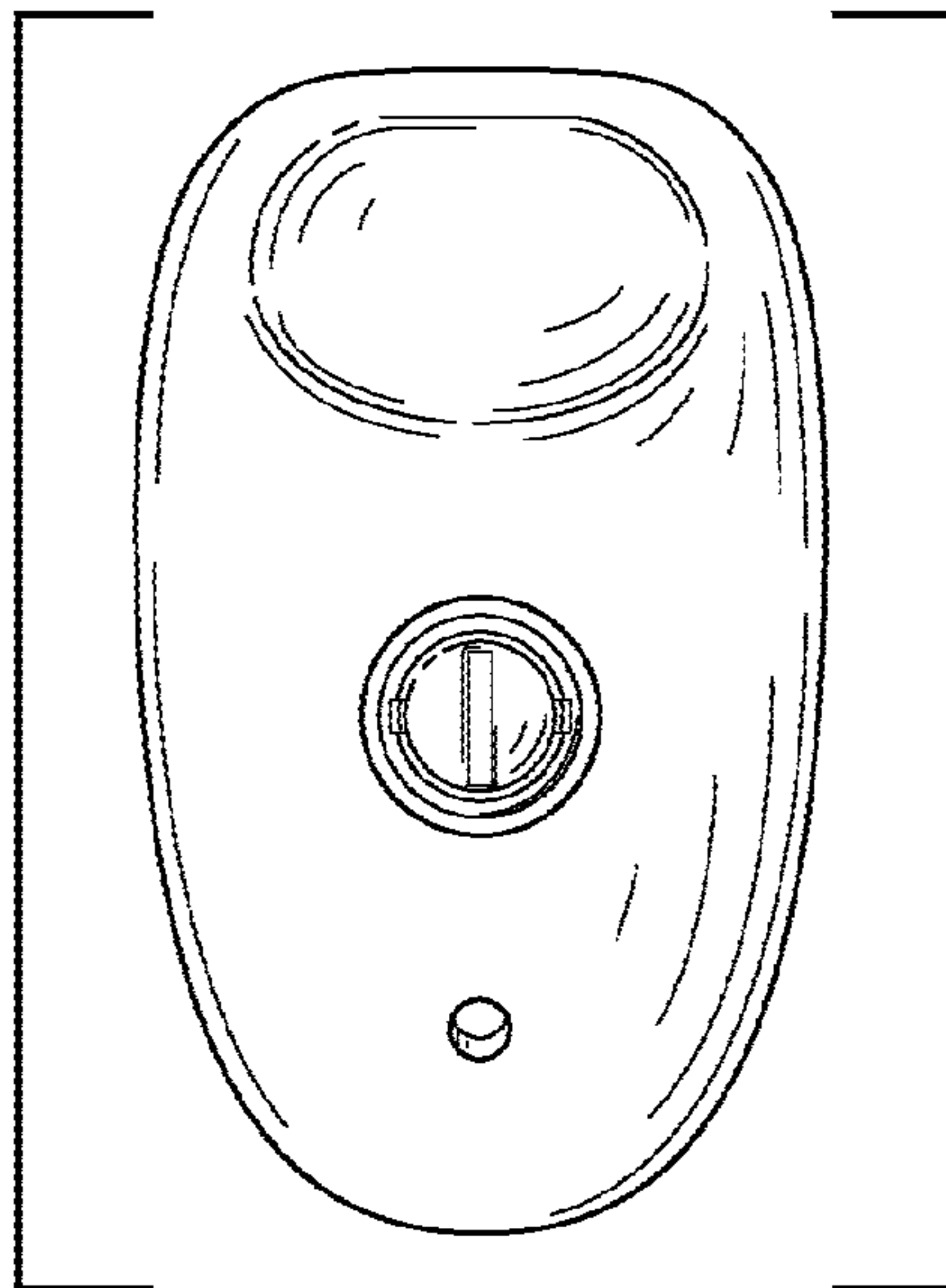
**FIG. 4**  
**CANCELLED**



**FIG. 5**  
**CANCELLED**



**FIG. 6**  
**CANCELLED**



**FIG. 7**  
**CANCELLED**

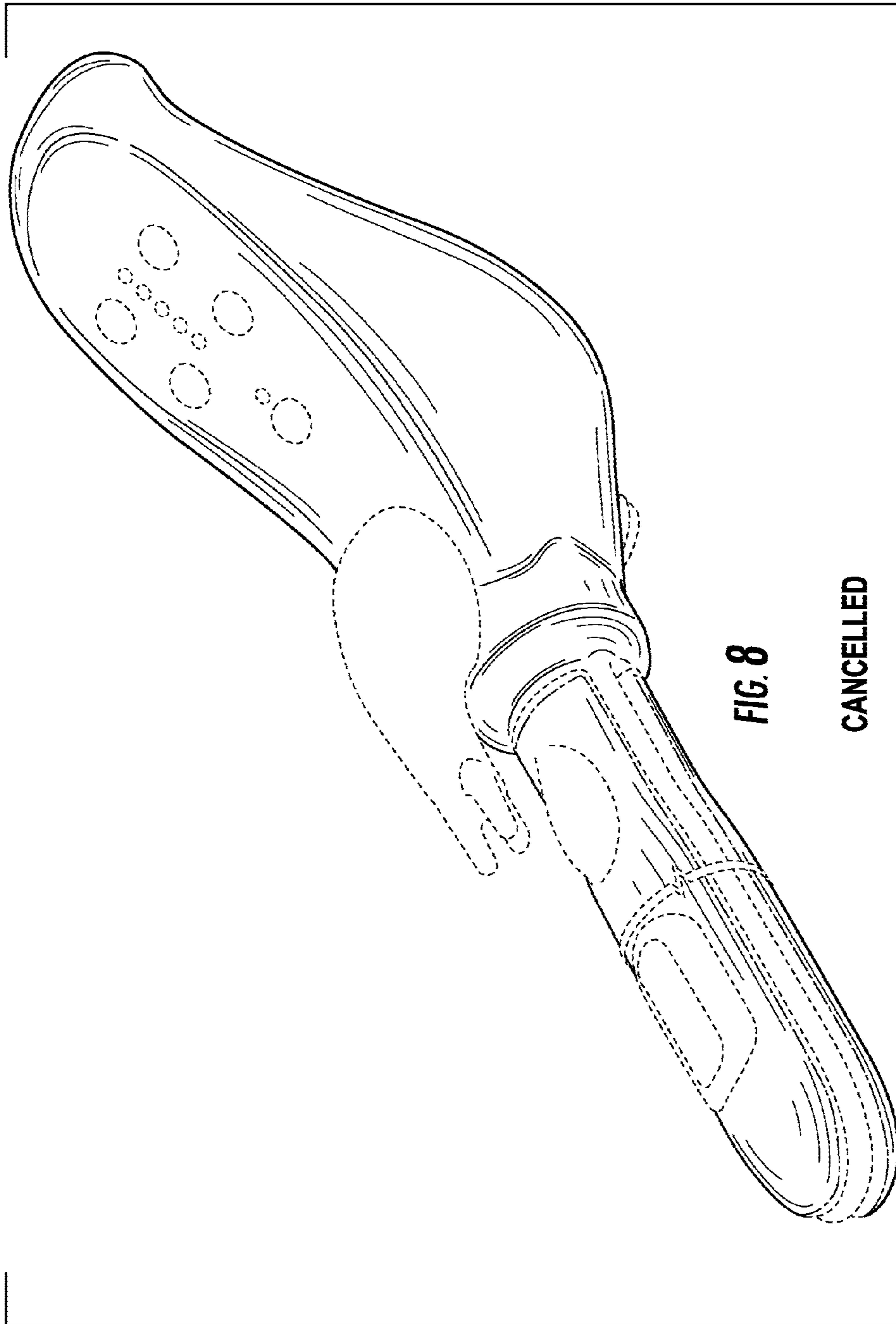
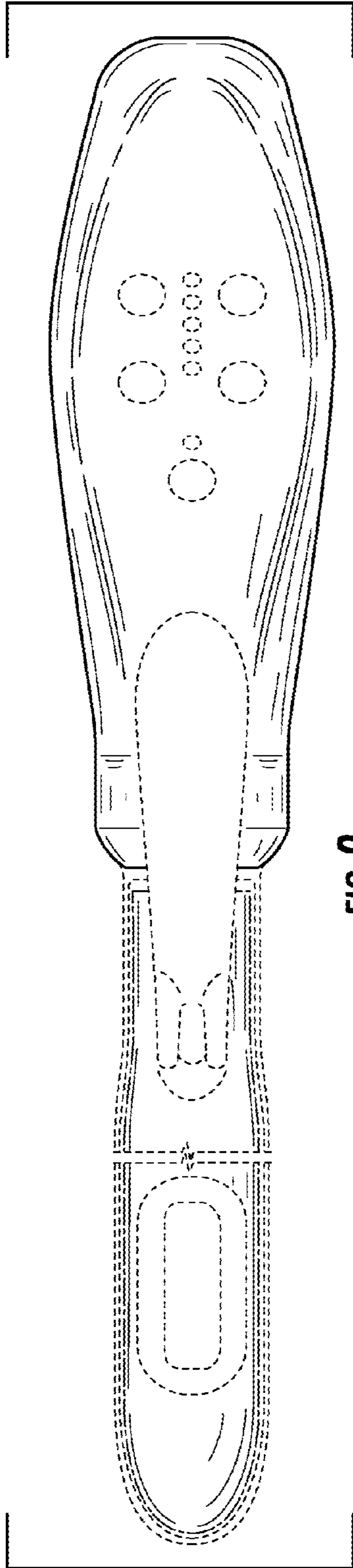


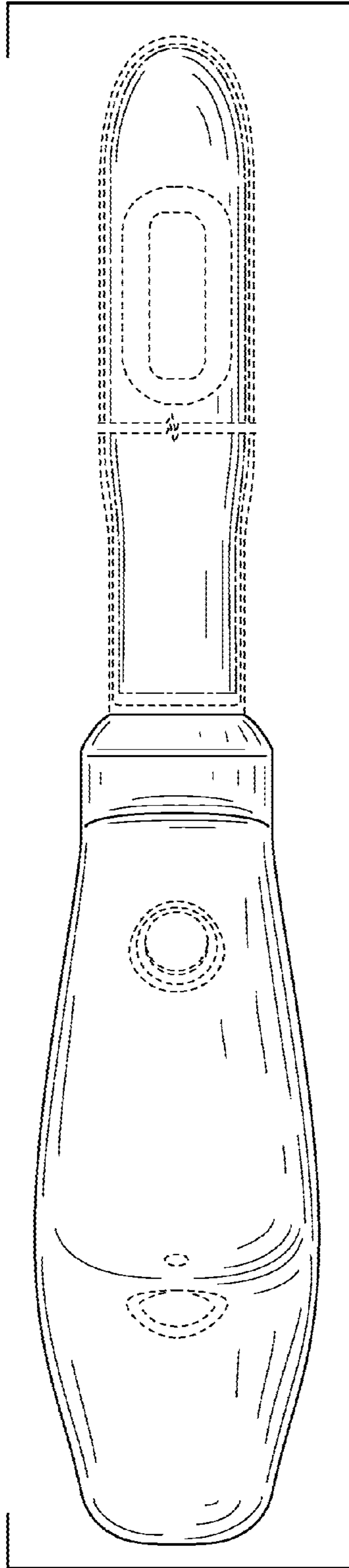
FIG. 8

CANCELLED

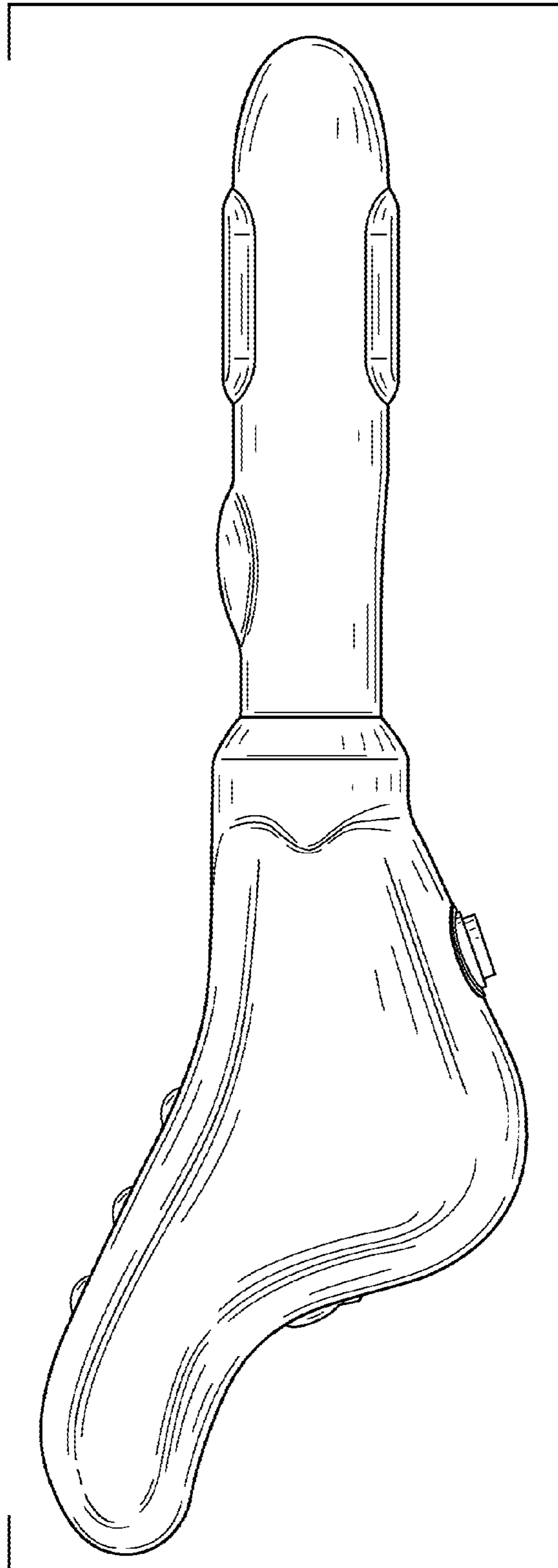




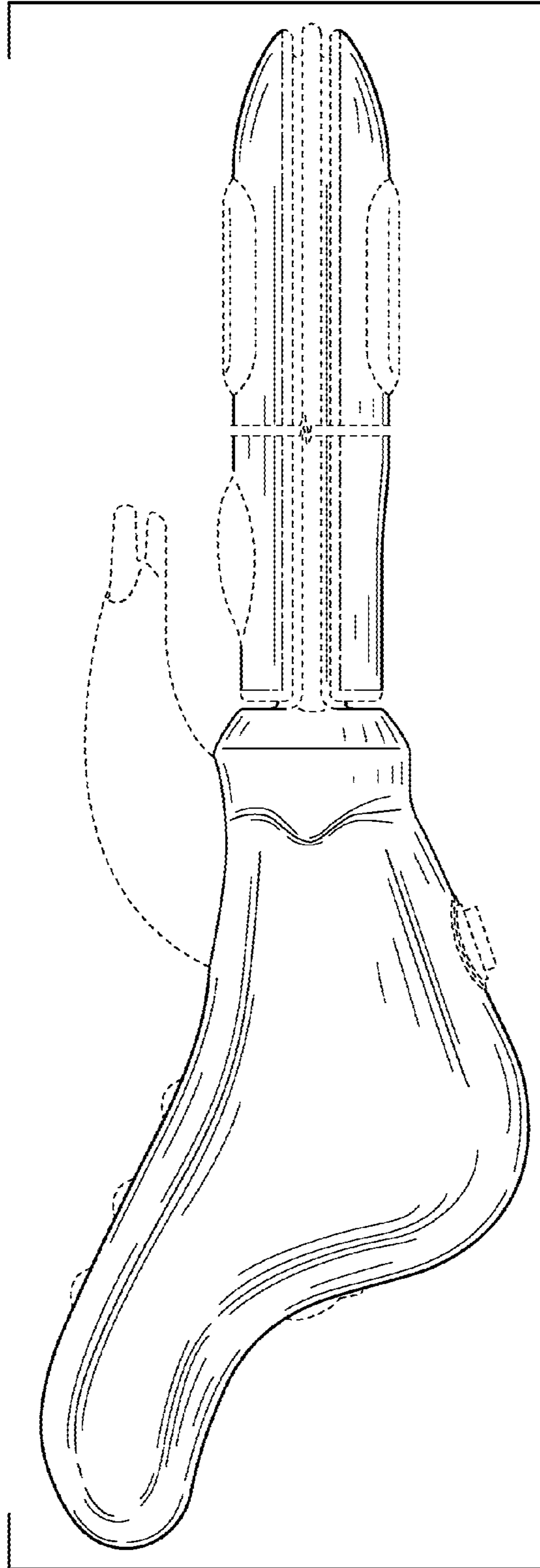
**FIG. 9**  
CANCELLED



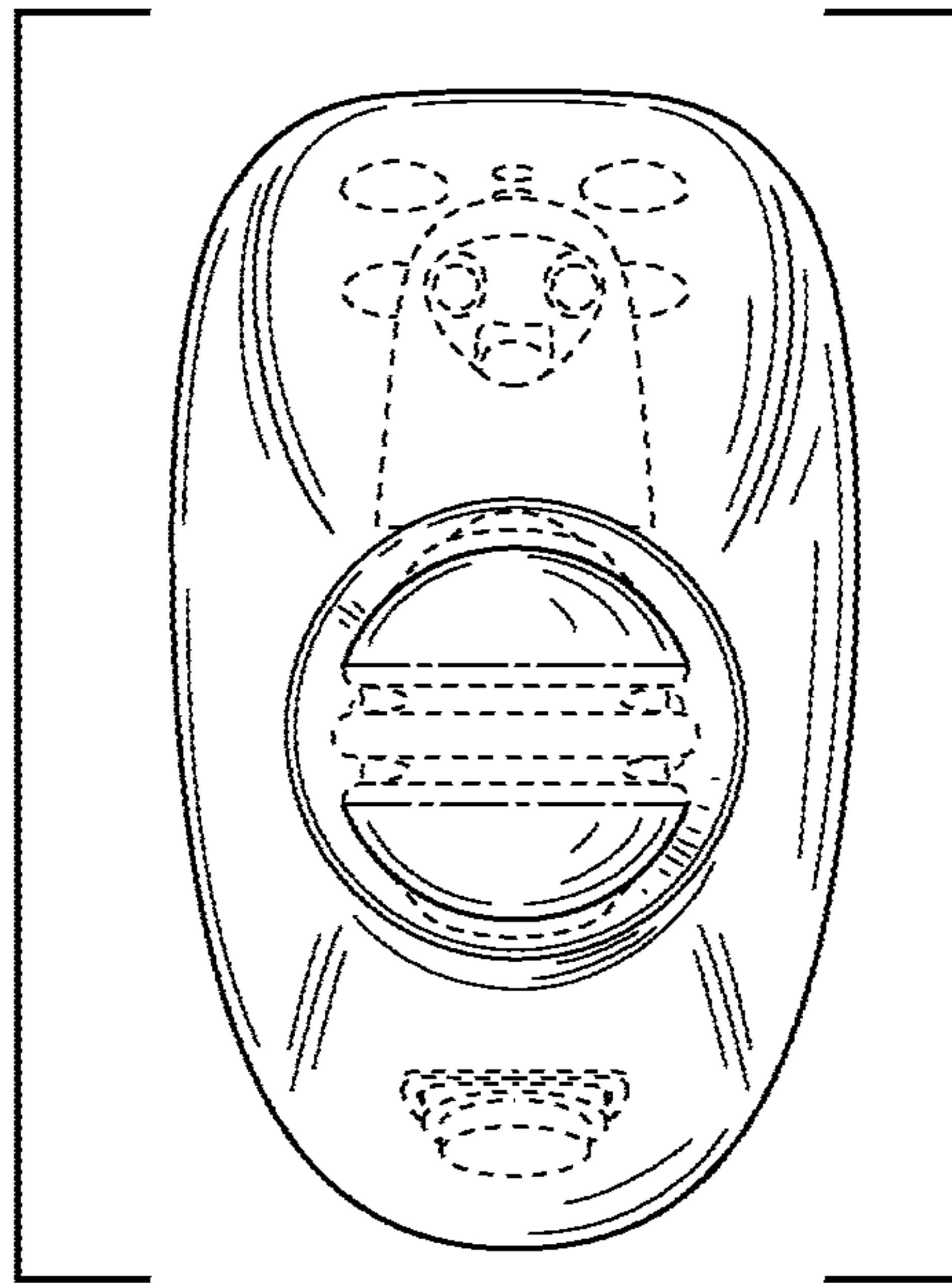
**FIG. 10**  
CANCELLED



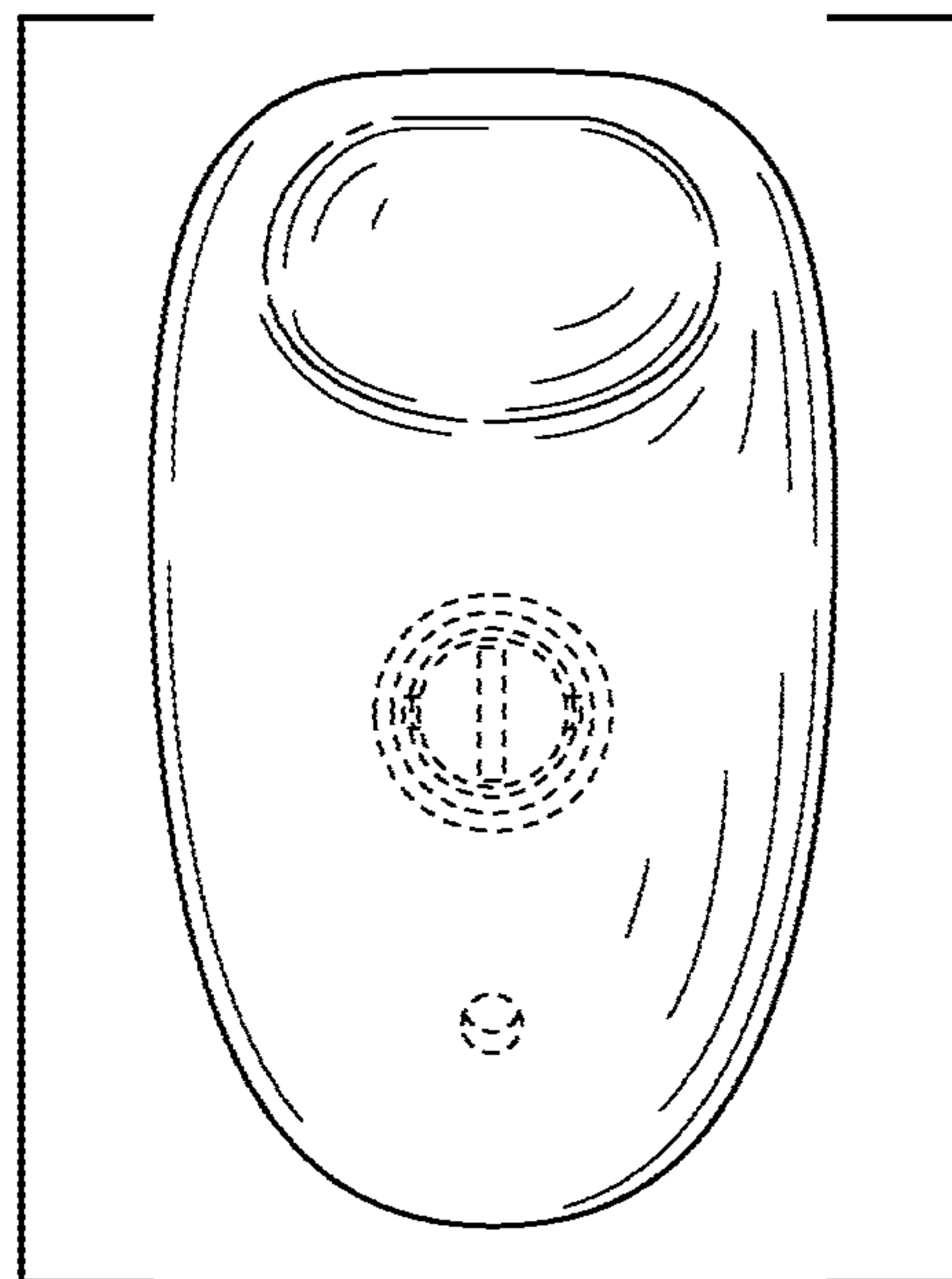
**FIG. 11**  
**CANCELLED**



**FIG. 12**  
**CANCELLED**

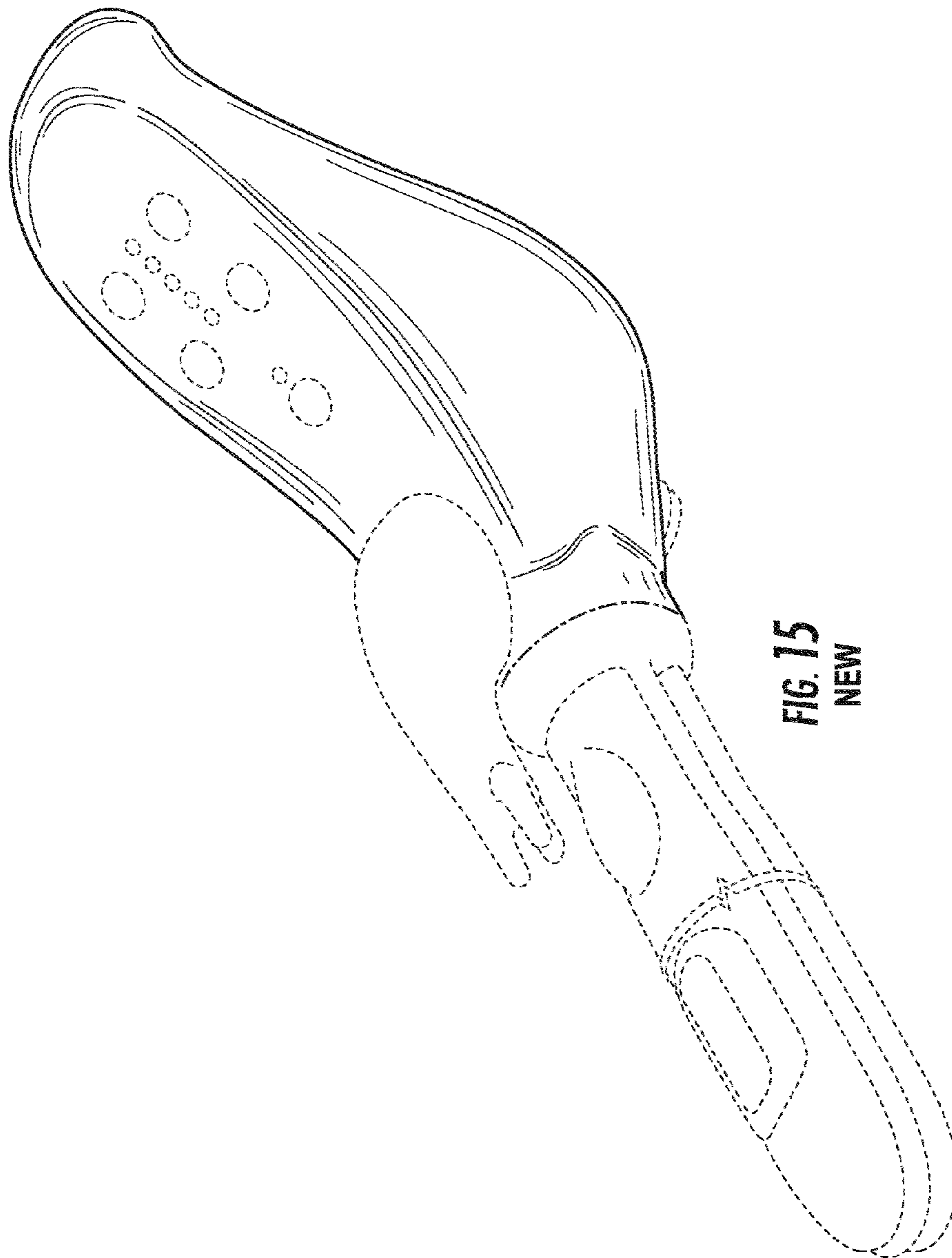


**FIG. 13**  
**CANCELLED**

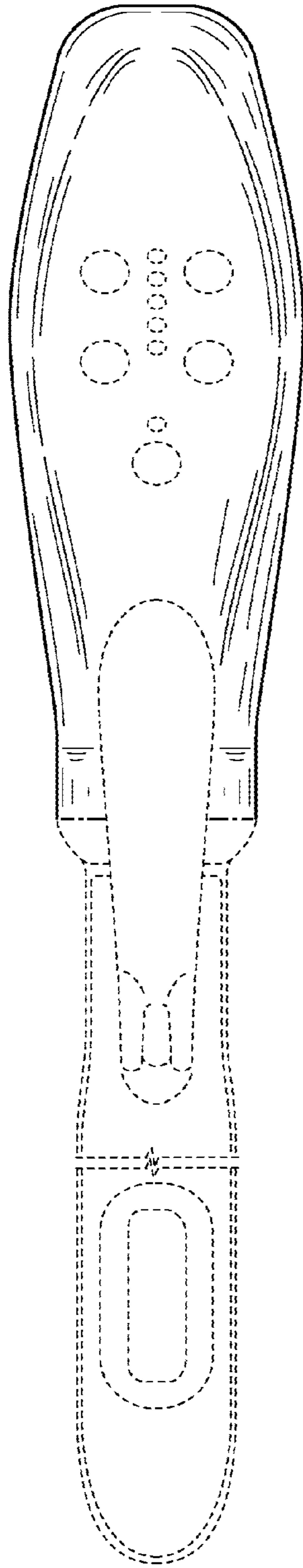


**FIG. 14**  
**CANCELLED**

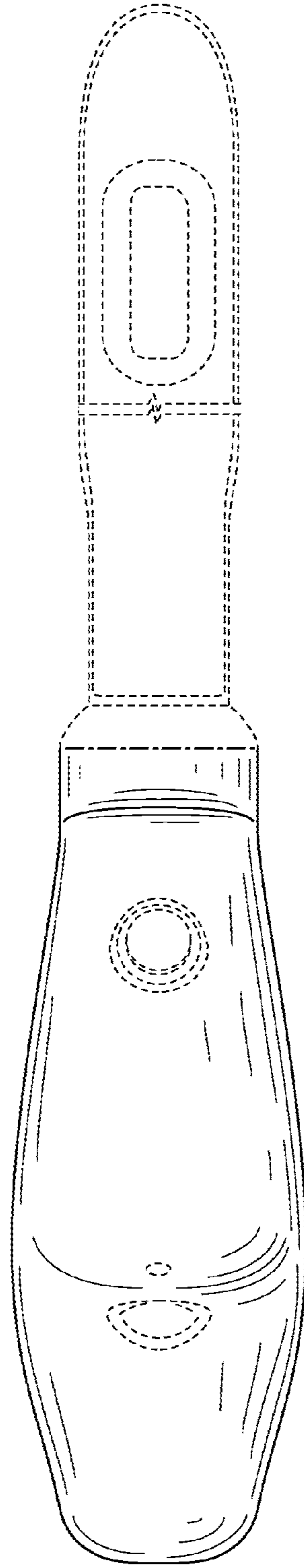




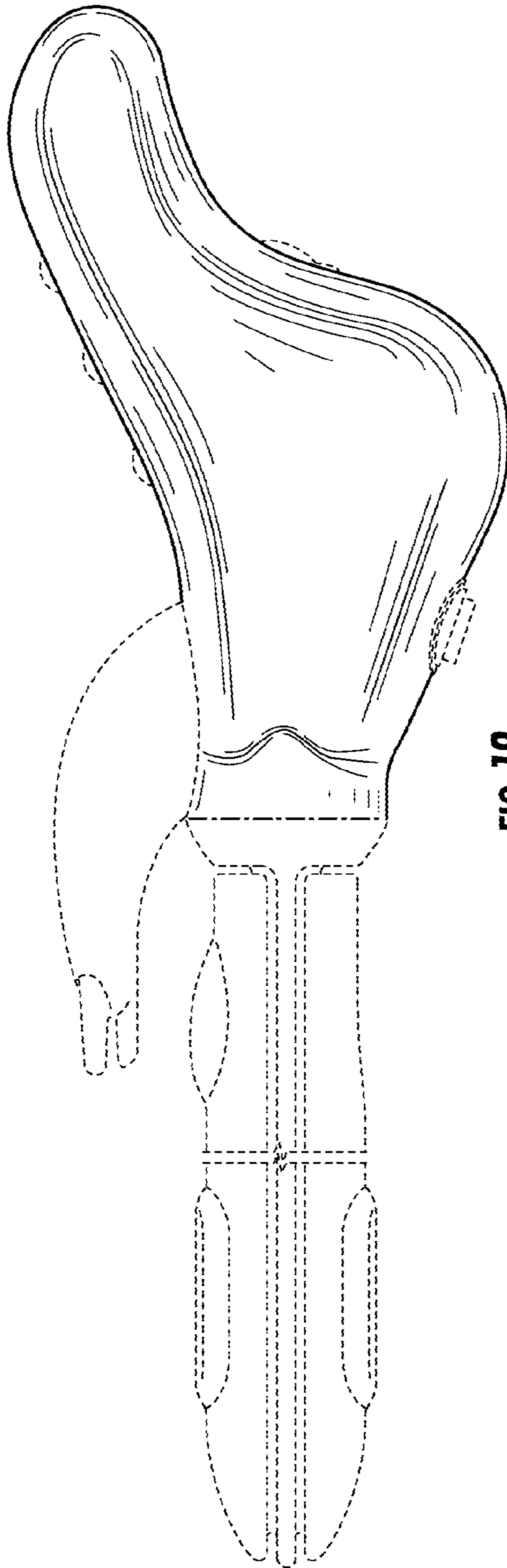
**FIG. 15**  
**NEW**



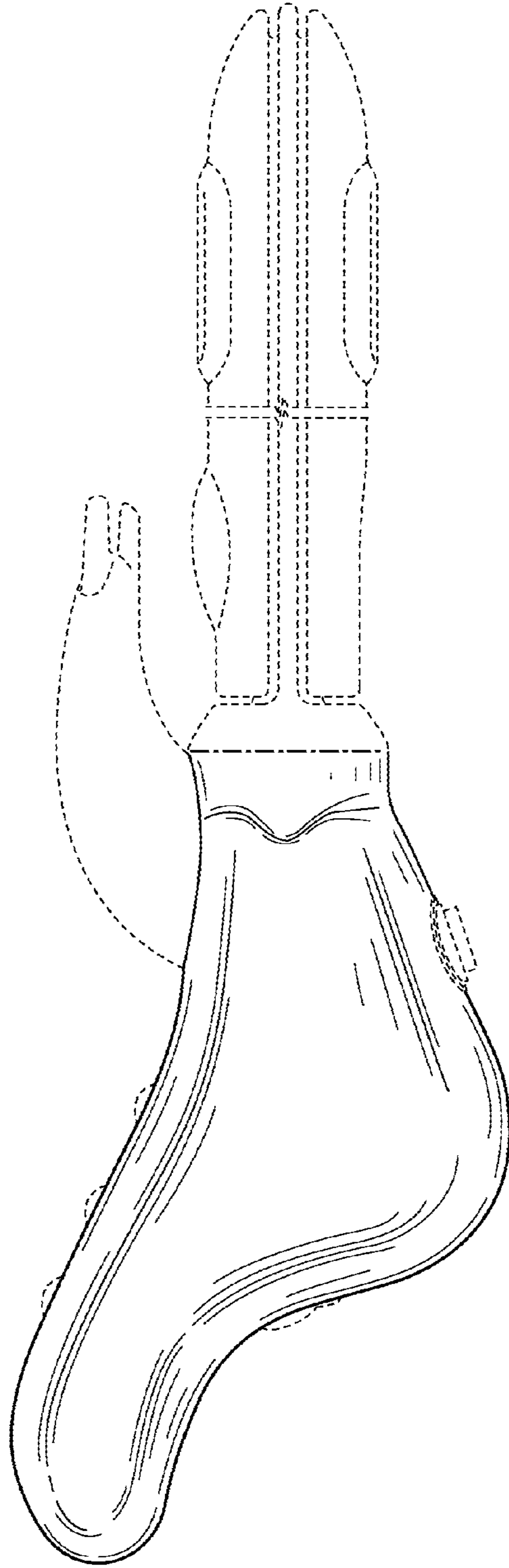
**FIG. 16**  
**NEW**



**FIG. 17**  
**NEW**

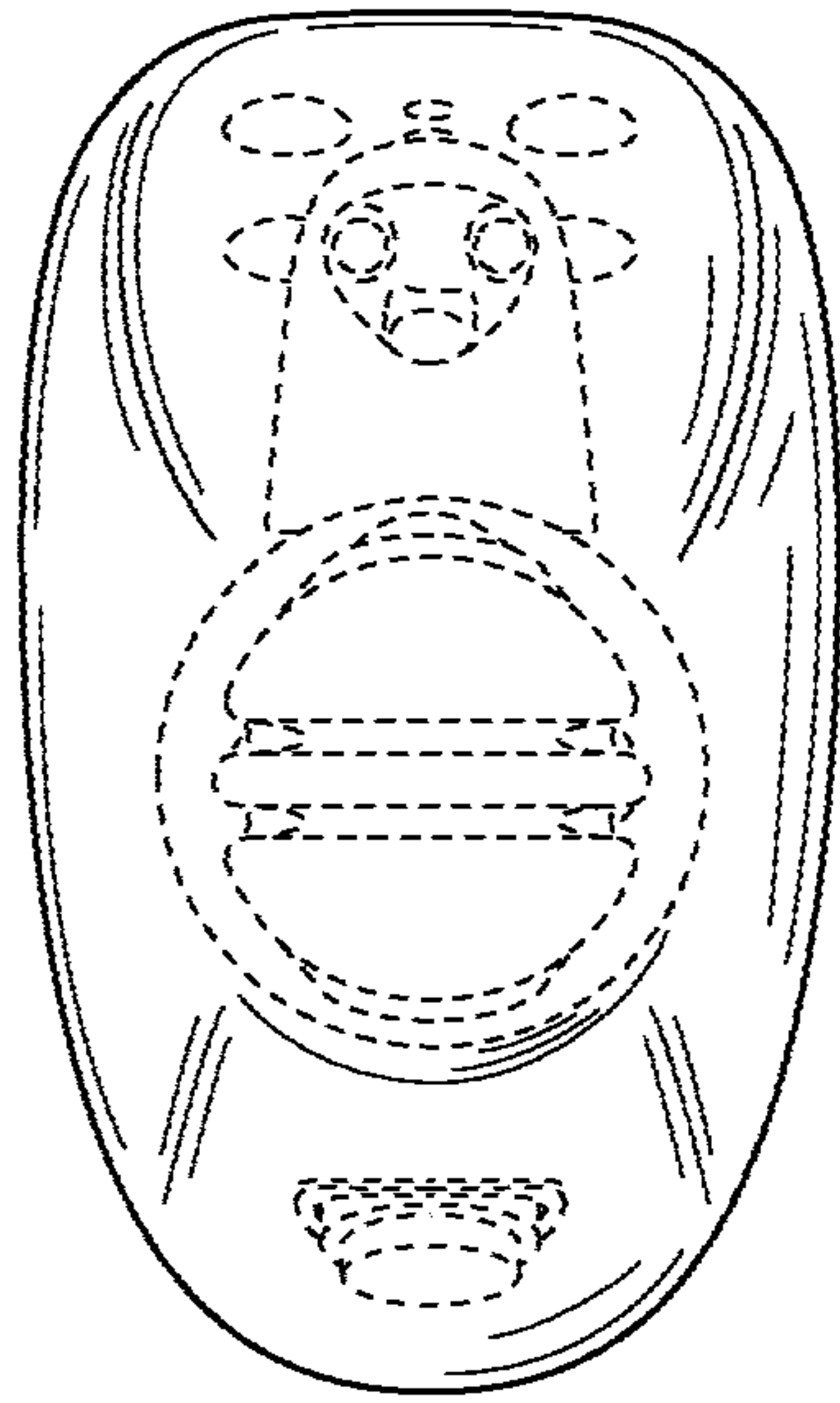


**FIG. 18**  
**NEW**

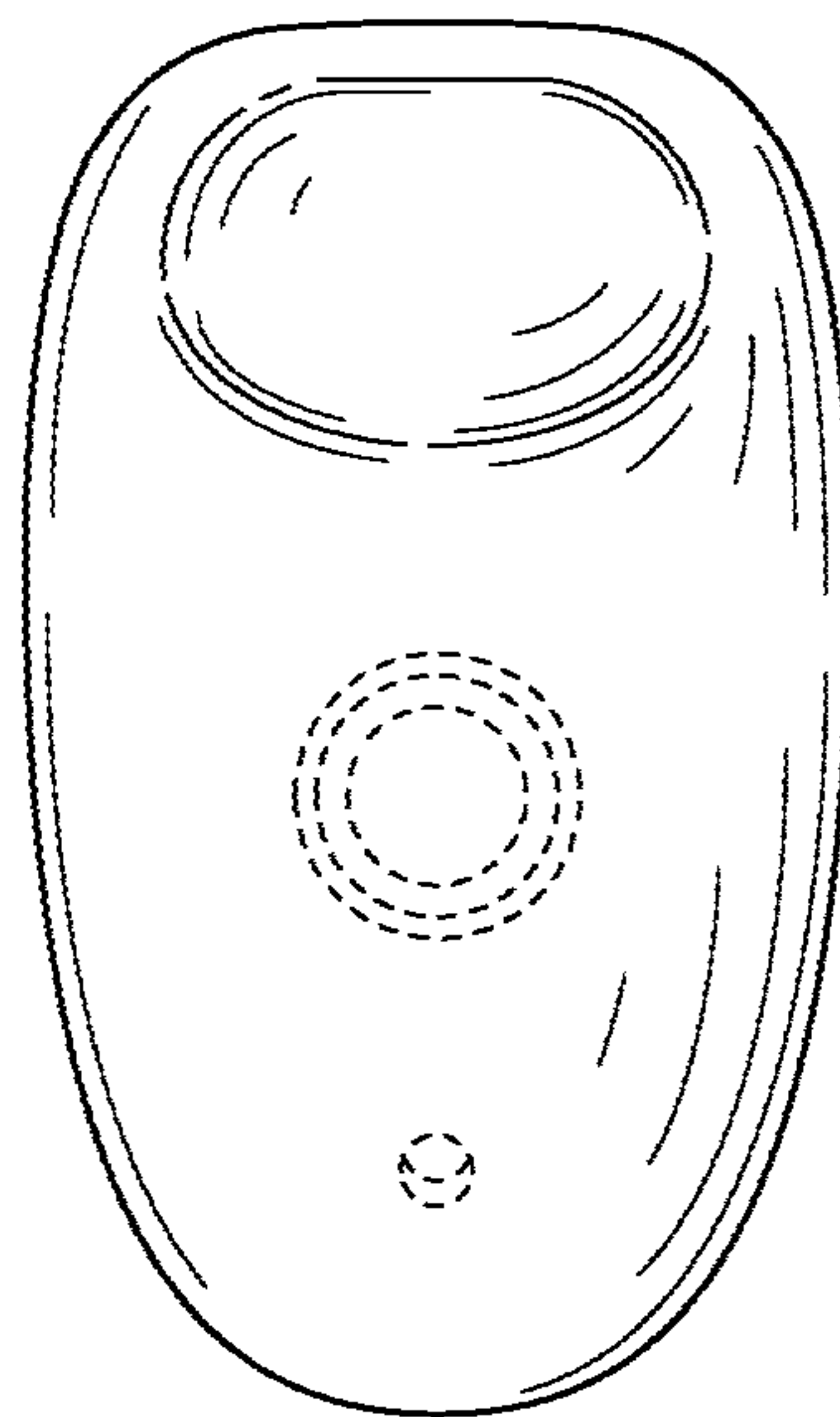


**FIG. 19**  
**NEW**





**FIG. 20**  
**NEW**



**FIG. 21**  
**NEW**