



US00RE46162E

(19) **United States**  
(12) **Reissued Patent**  
**Paterson et al.**

(10) **Patent Number: US RE46,162 E**  
(45) **Date of Reissued Patent: Sep. 27, 2016**

(54) **WATER CLOSET**

- (71) Applicant: **Kohler Co.**, Kohler, WI (US)
- (72) Inventors: **Nicholas W. Paterson**, Sheboygan, WI (US); **Cecile Thalmann**, Muiden (NL)
- (73) Assignee: **KOHLER CO.**, Kohler, WI (US)
- (21) Appl. No.: **29/533,011**
- (22) Filed: **Jul. 13, 2015**

**Related U.S. Patent Documents**

Reissue of:

- (64) Patent No.: **Des. 621,918**  
Issued: **Aug. 17, 2010**  
Appl. No.: **29/343,895**  
Filed: **Sep. 21, 2009**

U.S. Applications:

- (62) Division of application No. 29/429,793, filed on Aug. 16, 2012, now Pat. No. Re. 45,669, which is an application for the reissue of Pat. No. Des. 621,918.
- (51) **LOC (10) Cl.** ..... **23-02**
- (52) **U.S. Cl.**  
USPC ..... **D23/295**
- (58) **Field of Classification Search**  
USPC ..... D23/295, 296, 301, 303, 309, 313, 315;  
D3/273, 302; D9/424, 431; 4/440;  
D18/40, 36  
CPC ..... E03D 3/12; E03D 11/10; E03D 5/10  
See application file for complete search history.

(56) **References Cited**

**U.S. PATENT DOCUMENTS**

- D203,381 S \* 1/1966 Brown ..... D23/299
- 3,251,068 A \* 5/1966 Milette ..... E03D 7/00  
4/323

(Continued)

**FOREIGN PATENT DOCUMENTS**

- CN 02374106.6 11/2002
- CN 3302290 11/2002

(Continued)

**OTHER PUBLICATIONS**

Hastings Bath Collection, "Verso Toilet and Bidet"; HomePortfolio.com online catalog. Copyright 1997-2007; HomePortfolio.com.  
(Continued)

*Primary Examiner* — Phillip S Hyder

(74) *Attorney, Agent, or Firm* — Foley & Lardner LLP

(57) **CLAIM**

The ornamental design for a water closet, as shown and described.

**DESCRIPTION**

Notice: More than one reissue application has been filed for the reissue of U.S. Pat. No. D627,864; this application is a reissue divisional of application Ser. No. 29/421,144, filed May 17, 2012, which is an application for reissue of U.S. Pat. No. D627,864, both of which are incorporated herein by reference in their entireties; additionally, two other reissue divisional applications are being filed concurrently herewith for the reissue of U.S. Pat. No. D627,864.

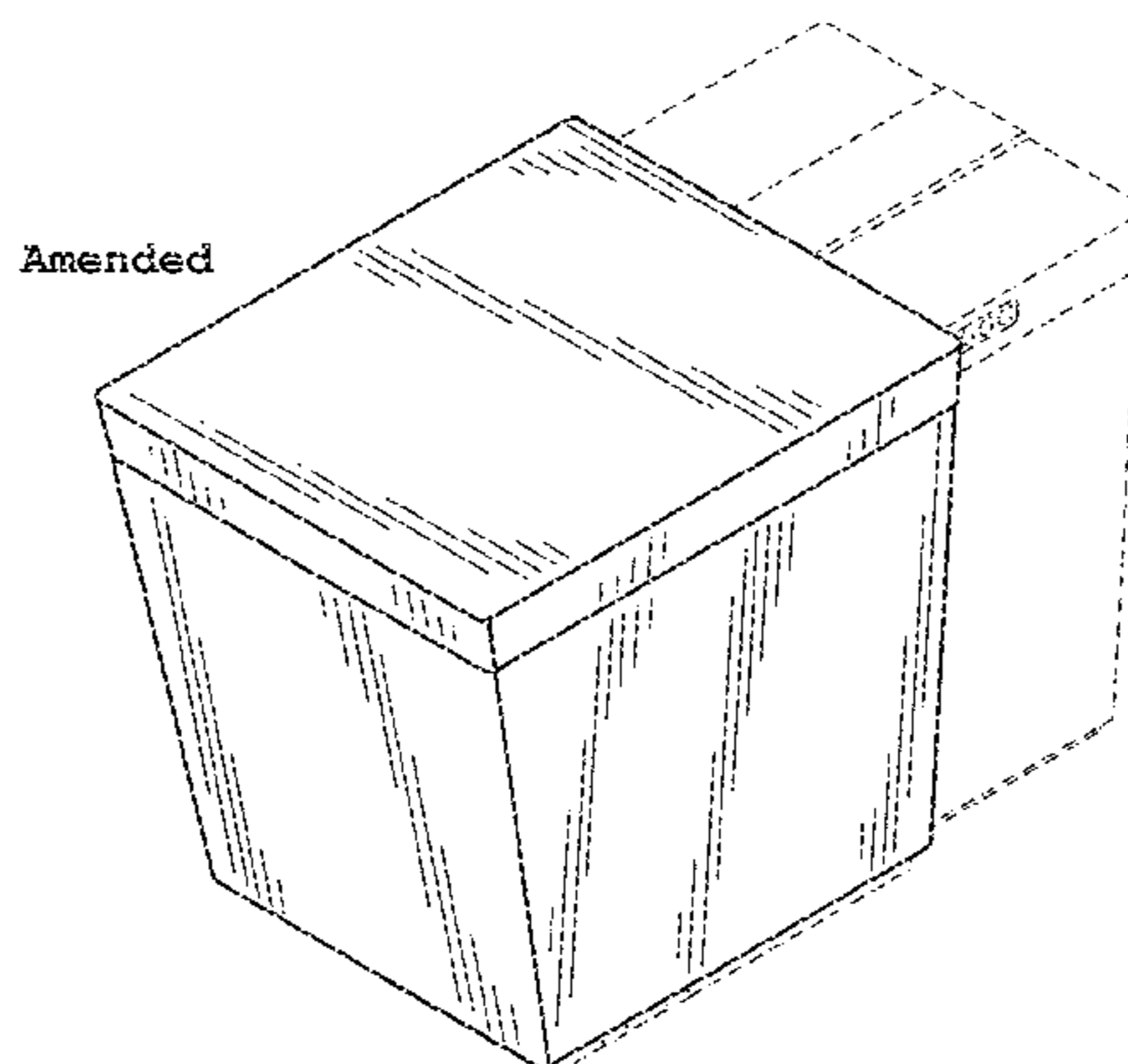
FIG. 1 is a right, top, front [perspective] *isometric* view of a water closet embodying our new design; FIG. 2 is a right side elevational view thereof; FIG. 3 is a left side elevational view thereof; FIG. 4 is a front elevational view thereof; FIG. 5 is a top plan view thereof; FIG. 6 is bottom plan view thereof; and, FIG. 7 is a rear elevational view thereof.

The broken line representations in the figures are for the purpose of illustration only, and form no part of the claimed design.

In a preferred embodiment, the nature of this product is a plumbing fixture in the form of a water closet, which is primarily useful for receiving the liquid and solid waste of humans.

**1 Claim, 4 Drawing Sheets**

**Matter enclosed in heavy brackets [ ] appears in the original patent but forms no part of this reissue; matter printed in italics indicates the additions made by reissue.**



(56)

**References Cited**

U.S. PATENT DOCUMENTS

3,939,501	A *	2/1976	Sargent .....	A47K 11/02 4/317
D250,344	S *	11/1978	Sargent .....	D23/299
D255,597	S *	6/1980	Sargent .....	D23/299
D256,722	S *	9/1980	Sargent .....	D23/295
D257,385	S *	10/1980	Sargent .....	D23/299
4,603,443	A *	8/1986	Stewart .....	E03D 5/01 116/227
D299,163	S *	12/1988	Robinson .....	D23/274
D456,710	S *	5/2002	Persson .....	D9/431
D494,667	S	8/2004	Kergoet	
D496,444	S	9/2004	Kergoet	
D509,575	S	9/2005	Kergoet	
D532,492	S *	11/2006	Giese .....	D23/299
D559,367	S	1/2008	Maruhashi	
D559,961	S	1/2008	Maruhashi	
D561,023	S *	2/2008	Jacxsens .....	D9/431
D576,716	S *	9/2008	Kaule .....	D23/295
D594,945	S	6/2009	Nakasaki et al.	
D603,488	S *	11/2009	Maruhashi .....	D23/295
D612,026	S *	3/2010	Soulier .....	D23/295
D615,173	S	5/2010	Arets	

FOREIGN PATENT DOCUMENTS

CN	200630050690.8	1/2003
CN	3376251	9/2003
CN	3652563	4/2006
CN	300730493	12/2006

CN	300739614	4/2007
CN	300801484	7/2007
CN	200730349563.2	11/2007
CN	300894410	2/2008
CN	300905381	3/2008
CN	300917296	3/2008
EM	000110531-0002	4/2004
EM	00026450-0005	2/2005
EM	000264502-0001	2/2005
EM	000264502-0002	2/2005
EM	000264502-0005	2/2005
EM	000284502-0002	2/2005
EM	000833835-0002	1/2008
JP	843438	4/1992
JP	843438-2	4/1992
JP	843438-3	4/1992
JP	843438-3	9/1992
JP	1283637	9/2006

OTHER PUBLICATIONS

Kohler Co., "Escale Dual Flush Toilet Tank"; HomePortfolio.com online catalog. Copyright 1997-2007 HomePortfolio.com.

Duravit, "2<sup>nd</sup> Floor"; Model No. 011009; Duravit.com online catalog. Copyright 2008 Duravit.

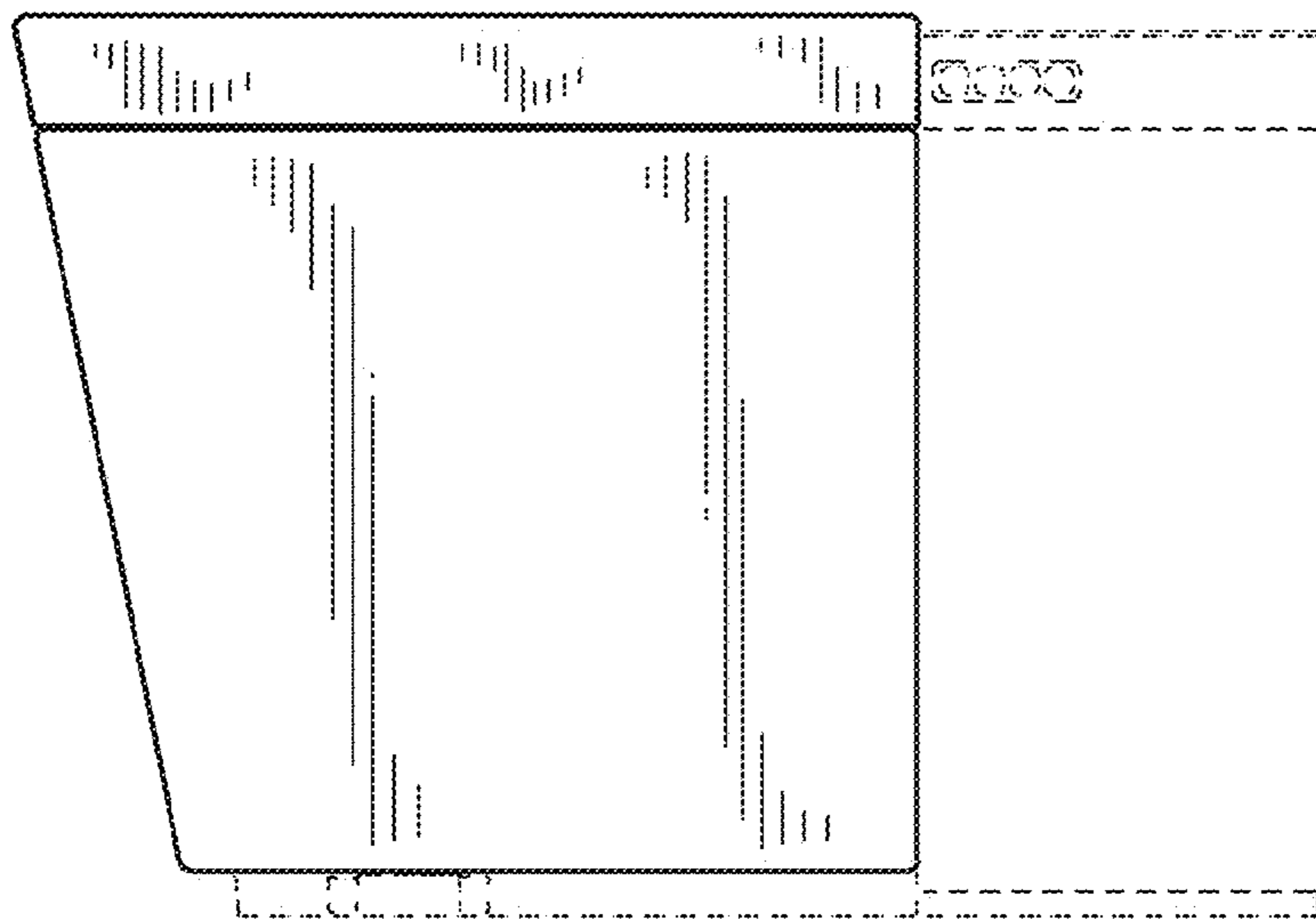
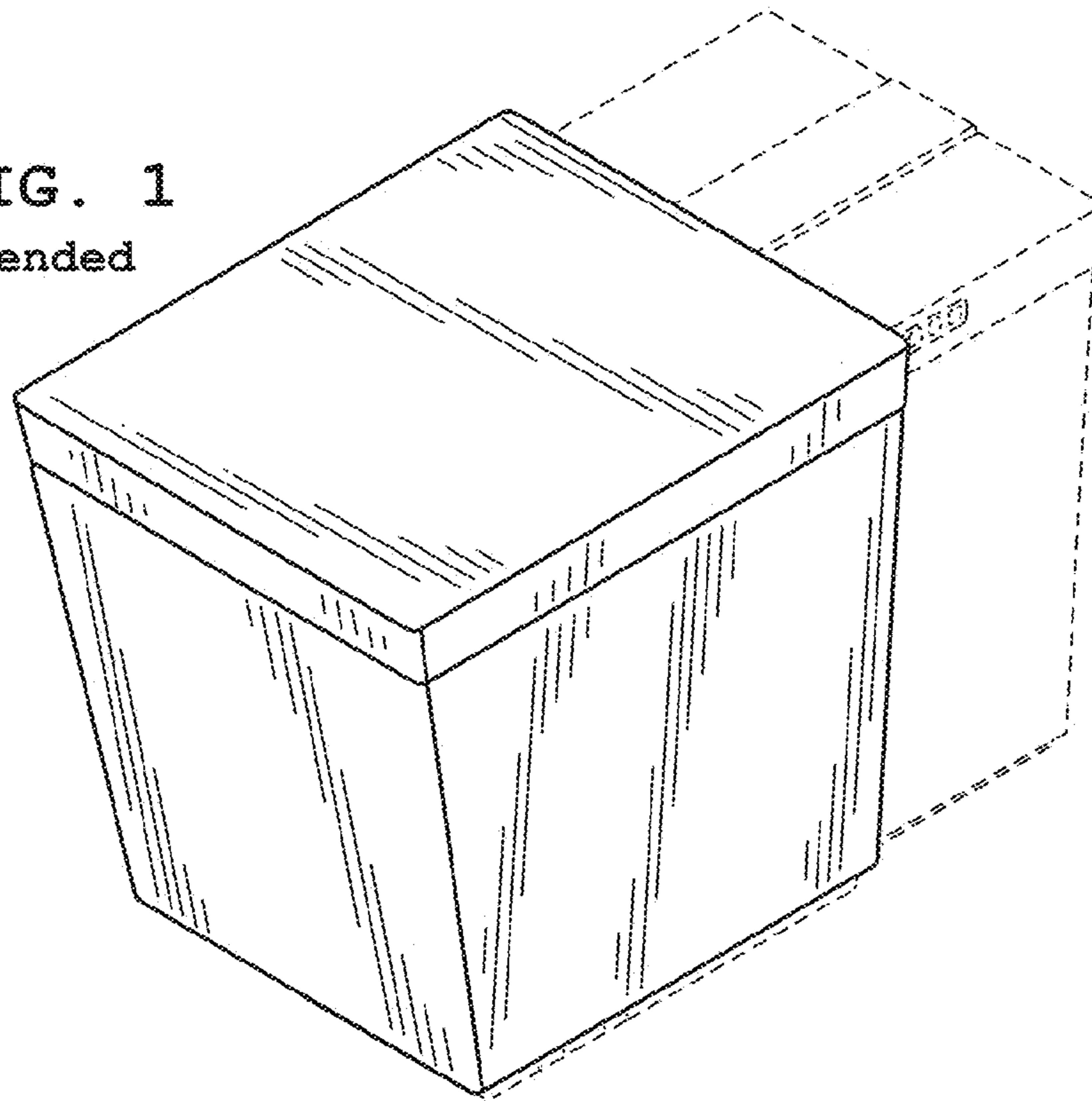
Hasting Bath Collection. "Verso Toilet and Bidet." HomePortfolio.com online catalog. Copyright 1997-2006 HomePortfolio.com.

Kohler Co. "Escalo Dual Flush Toilet Tank", HomePortfolio.com online catalog. Copyright 1997 HomePortfolio.com.

Durant. "2nd Floor". Model No. 011009. Duravit.com online catalog. Copyright 2008 Duravit.

\* cited by examiner

**FIG. 1**  
Amended



**FIG. 2**  
Amended

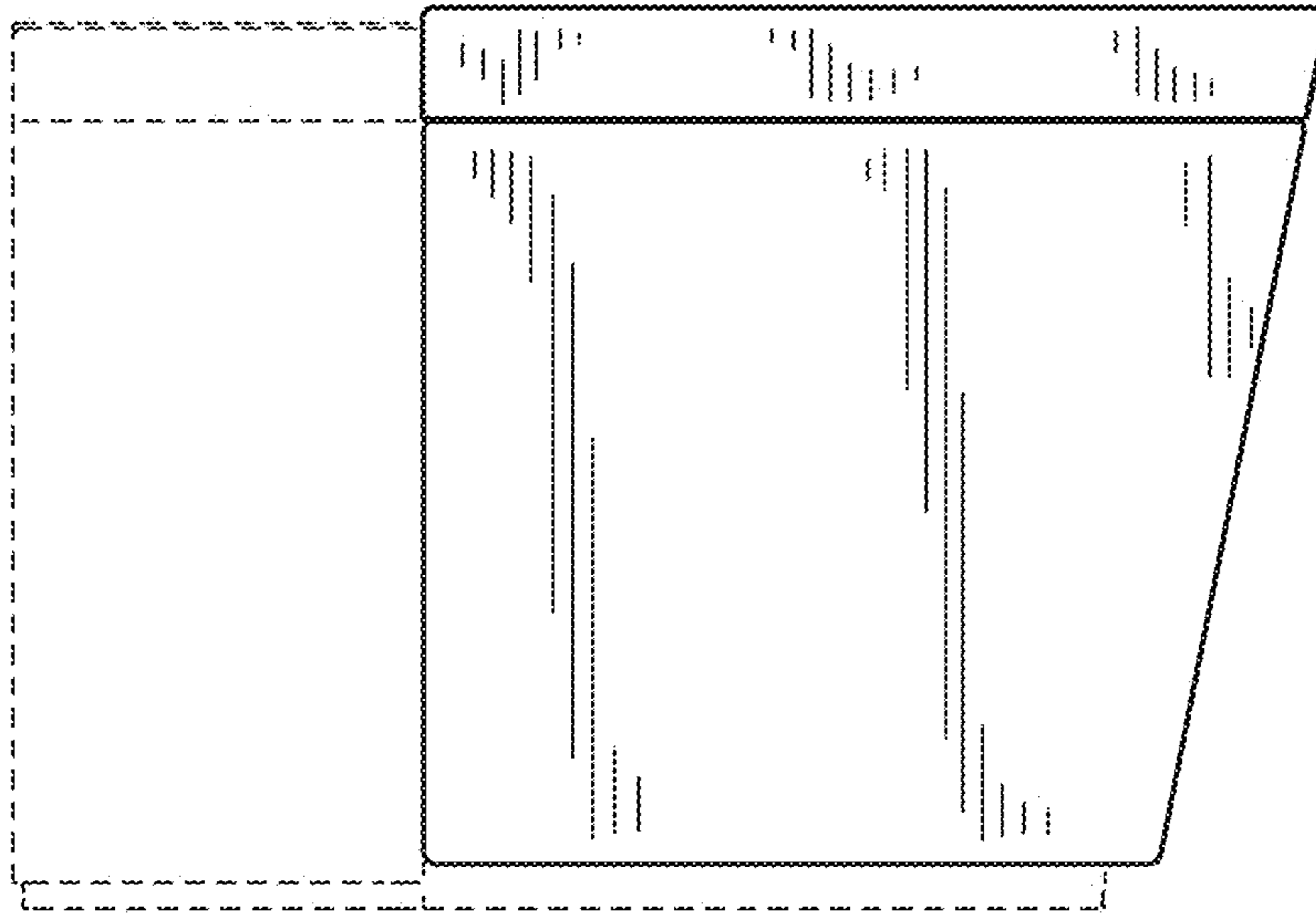


FIG. 3  
Amended

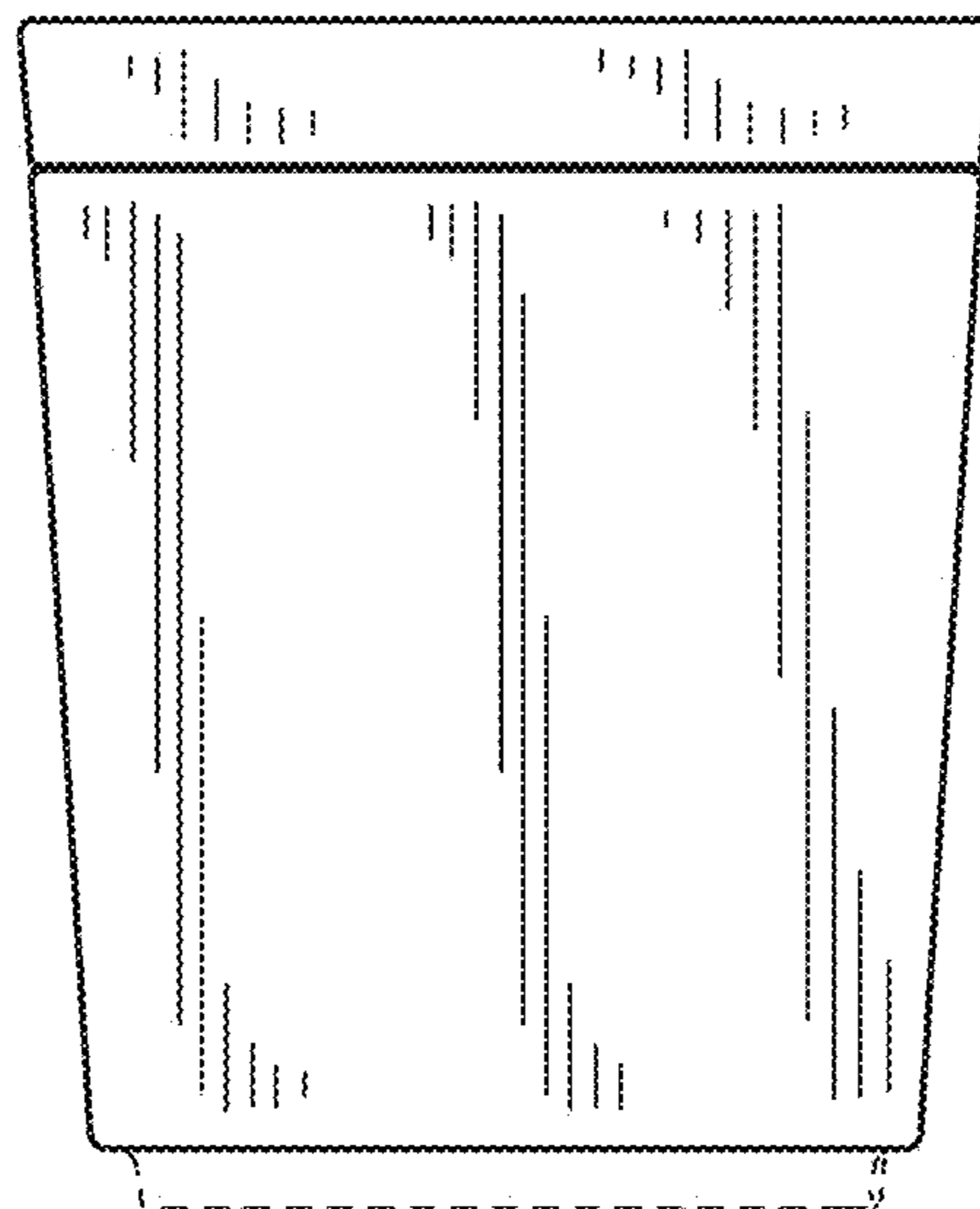


FIG. 4  
Amended

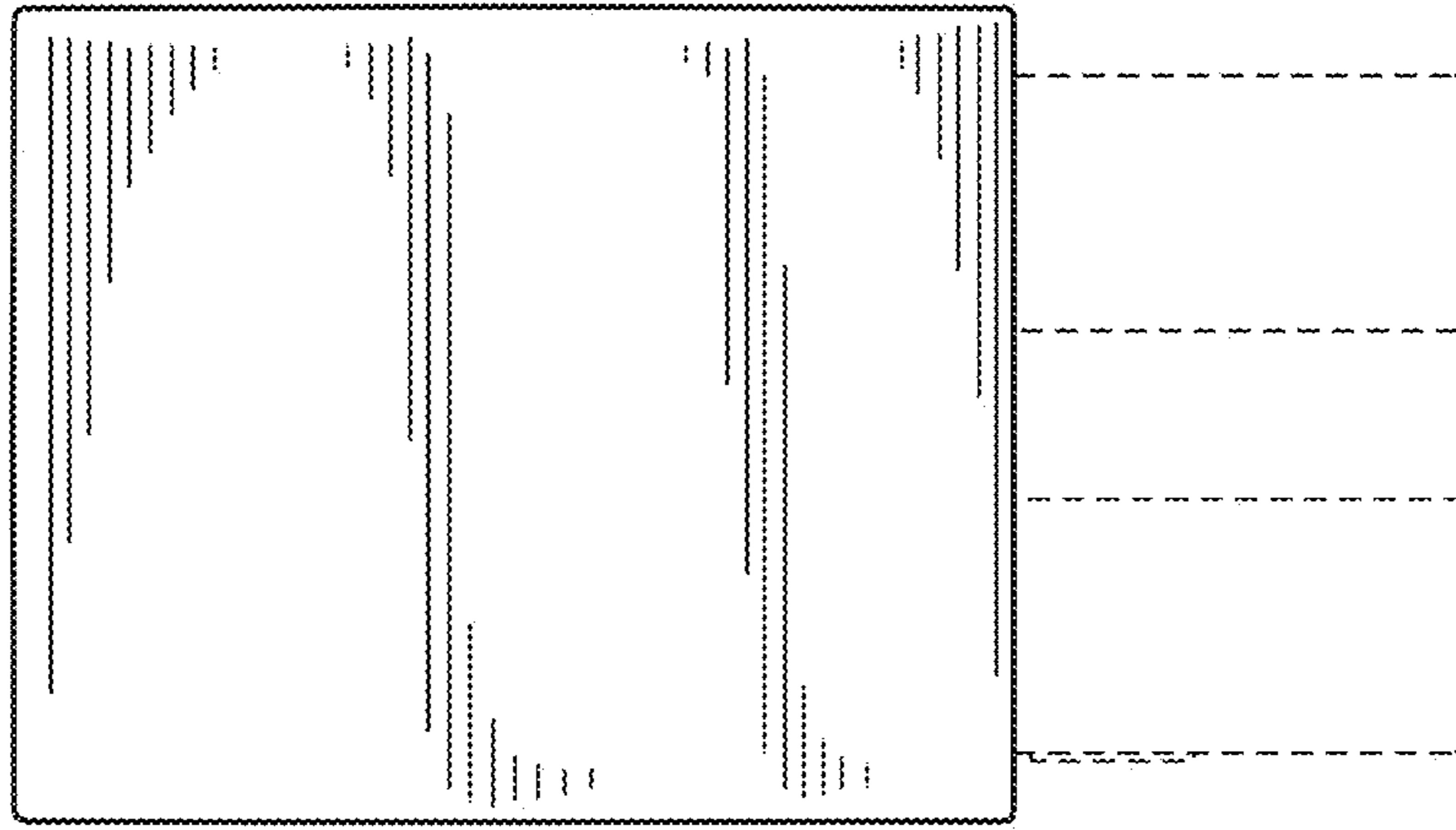


FIG. 5

Amended

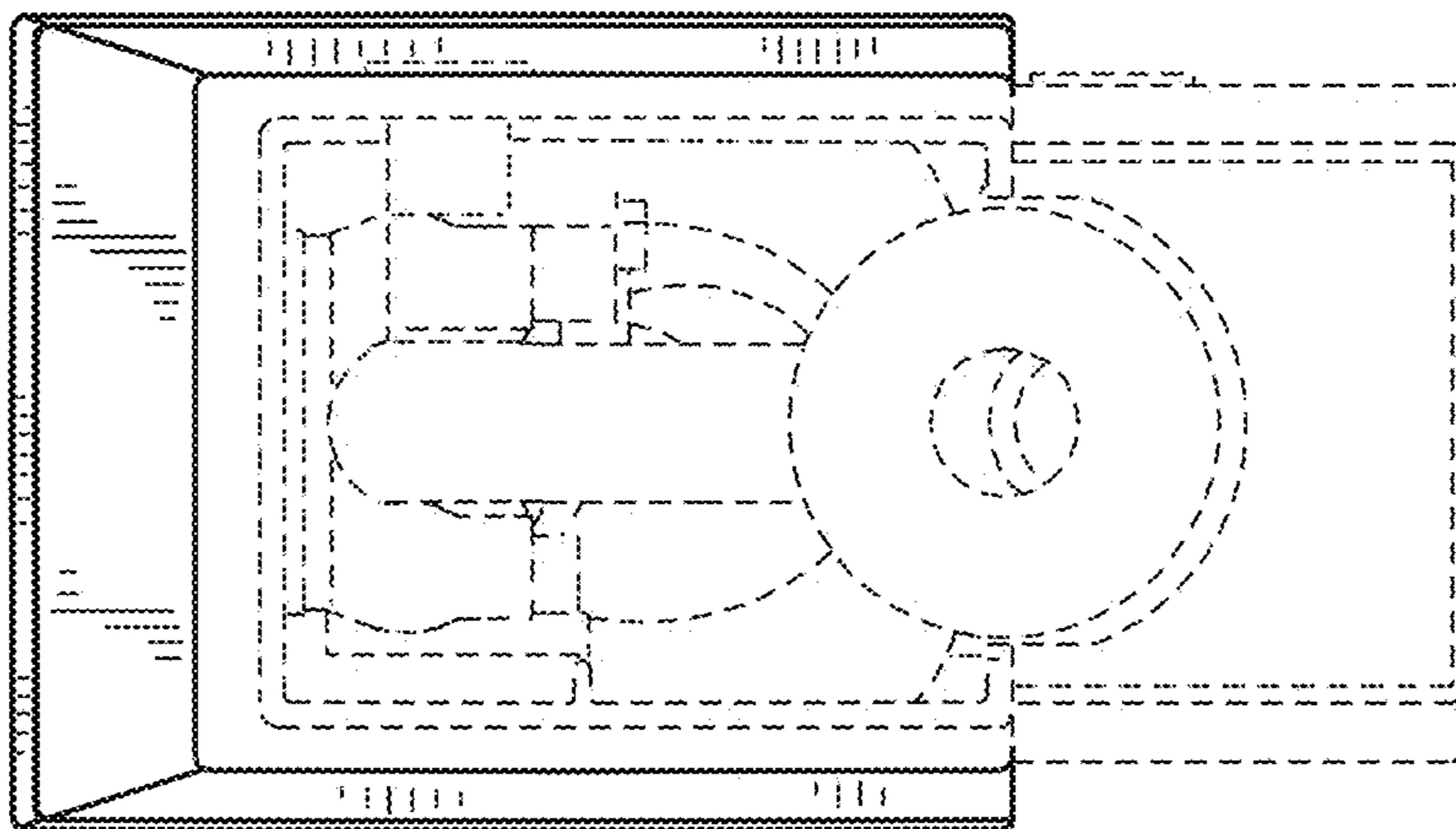
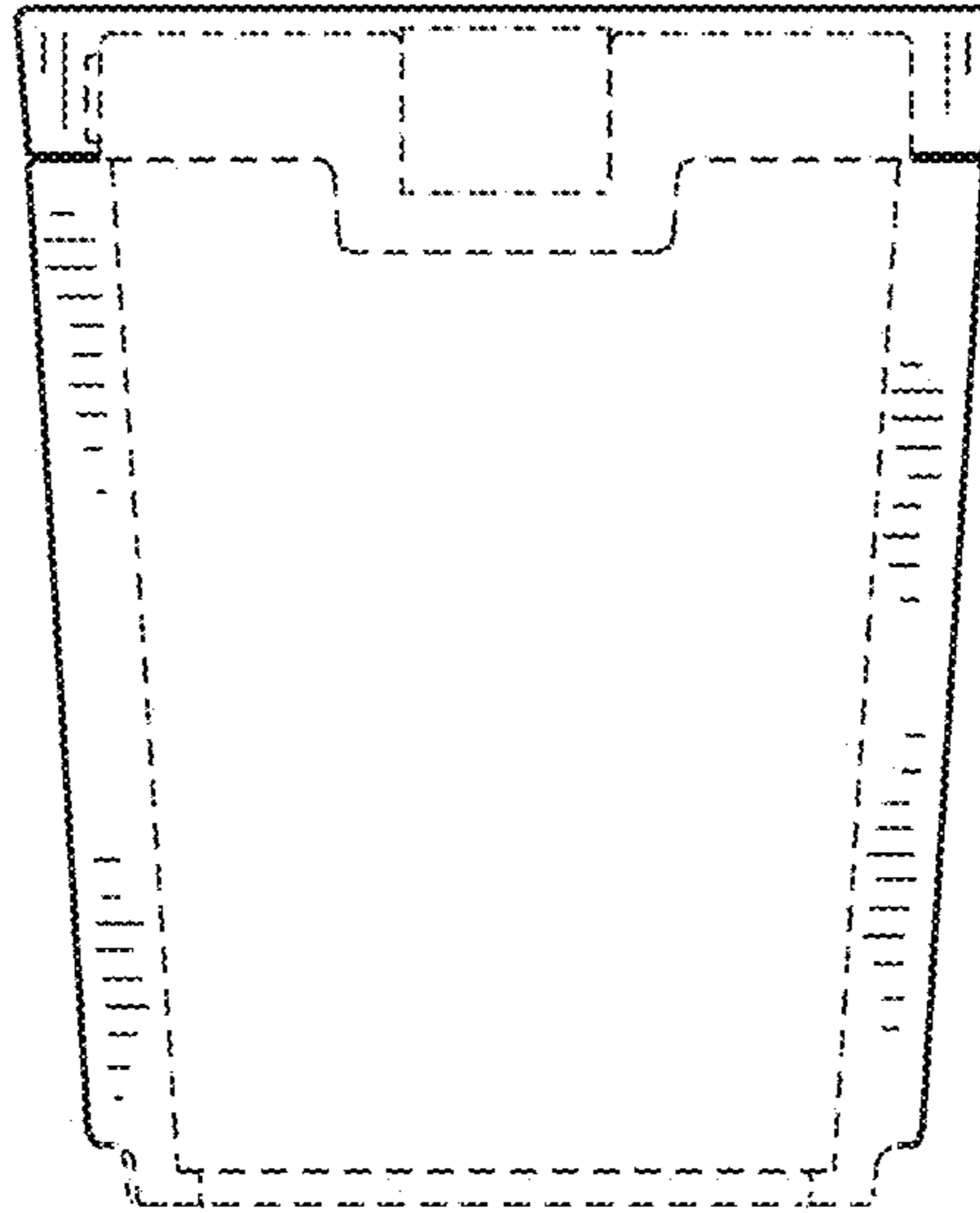


FIG. 6

Amended



**FIG. 7**  
Amended