



US00RE46111E

(19) **United States**  
(12) **Reissued Patent**  
**Kook**

(10) **Patent Number:** **US RE46,111 E**  
(45) **Date of Reissued Patent:** **Aug. 16, 2016**

(54) **NON-CONTACT CHARGER AVAILABLE OF WIRELESS DATA AND POWER TRANSMISSION, CHARGING BATTERY-PACK AND MOBILE DEVICE USING NON-CONTACT CHARGER**

(58) **Field of Classification Search**  
CPC . H02J 7/025; H02J 7/0044; H02J 2007/0062; H04B 5/0031; H04B 5/0037  
USPC ..... 320/106, 107, 108, 112, 114, 115, 157, 320/158, 162, 163; 455/73  
See application file for complete search history.

(71) Applicant: **Hanrim Postech Co., Ltd.**, Suwon-si, Gyeonggi-do (KR)

(56) **References Cited**

(72) Inventor: **Yoon-Sang Kook**, Gwacheon-si (KR)

U.S. PATENT DOCUMENTS

(73) Assignee: **HANRIM POSTECH CO., LTD.**, Suwon-Si (KR)

5,455,466 A \* 10/1995 Parks et al. .... 307/104  
6,255,800 B1 7/2001 Bork ..... 320/115

(Continued)

(21) Appl. No.: **13/886,830**

FOREIGN PATENT DOCUMENTS

(22) Filed: **May 3, 2013**

JP 11-168837 6/1999  
JP 11-168837 A 6/1999

(Continued)

**Related U.S. Patent Documents**

Reissue of:

(64) Patent No.: **7,936,147**  
Issued: **May 3, 2011**  
Appl. No.: **12/843,820**  
Filed: **Jul. 26, 2010**

OTHER PUBLICATIONS

European Search Report dated Oct. 17, 2013, issued in corresponding European Patent Application No. 06812209.2.

(Continued)

U.S. Applications:

(63) Continuation of application No. 11/817,929, filed on Sep. 6, 2007, now Pat. No. 7,791,312.

*Primary Examiner* — Linh M Nguyen

(74) *Attorney, Agent, or Firm* — Stein IP, LLC

(30) **Foreign Application Priority Data**

Oct. 24, 2006 (KR) ..... 10-2006-0103254

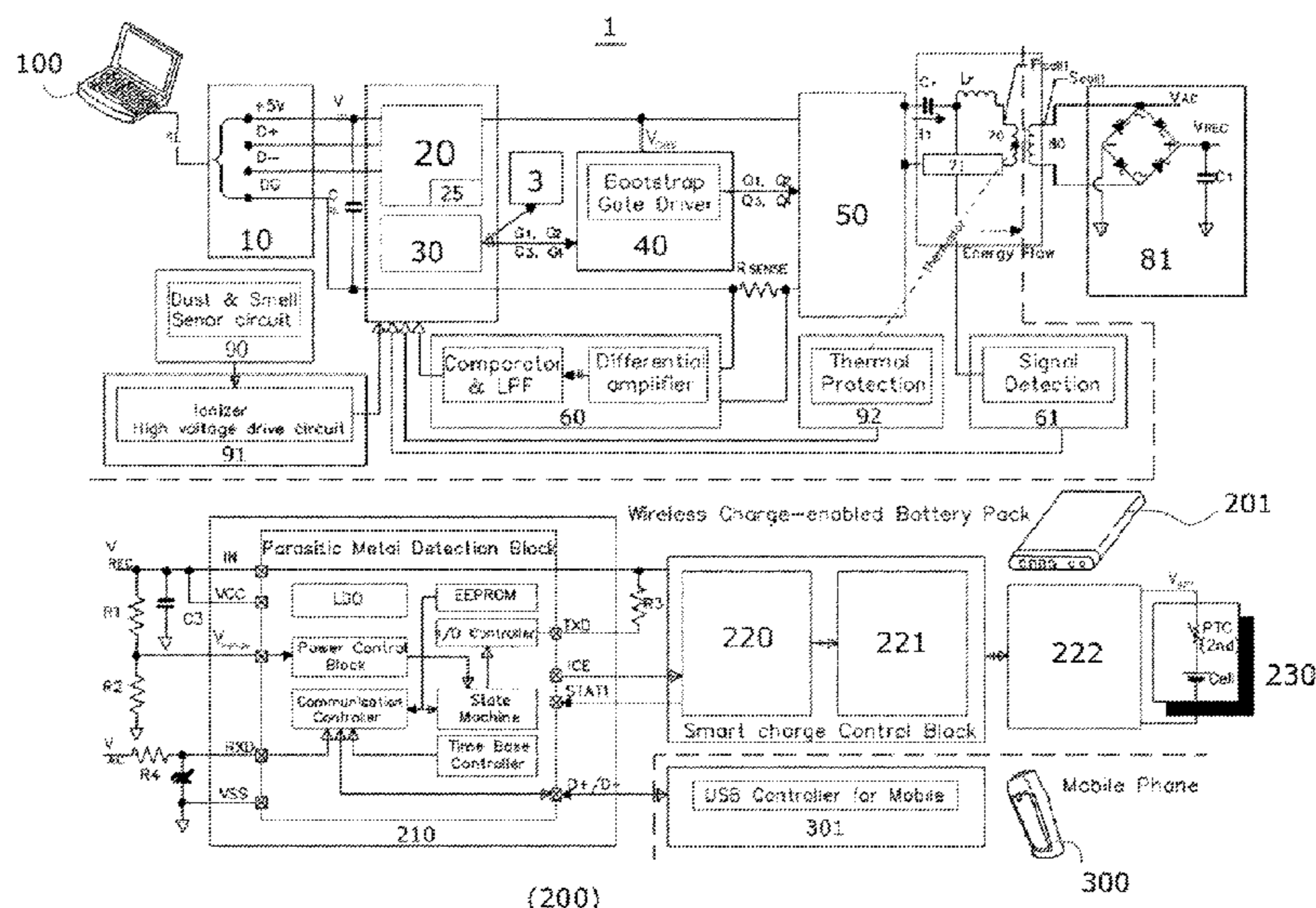
(57) **ABSTRACT**

Disclosed is a non-contact charger. The present invention provides a non-contact charger capable of wireless data communication and power supply between a non-contact charger capable of computer UBS communication and a charging battery-pack of a mobile device, using an induced electromotive force, thereby to enable data communication and power supply at the same time and to make good signal transmission without other poor contacts in the contact transmission.

(51) **Int. Cl.**  
**H01M 10/46** (2006.01)  
**H02J 7/02** (2016.01)

(52) **U.S. Cl.**  
CPC ..... **H02J 7/025** (2013.01)

**56 Claims, 11 Drawing Sheets**



# US RE46,111 E

Page 2

(56)

## References Cited

### U.S. PATENT DOCUMENTS

7,443,135	B2	10/2008	Cho	.....	320/108
7,525,283	B2	4/2009	Cheng et al.	.....	320/108
2003/0103039	A1	6/2003	Burr et al.	.....	345/163
2003/0148788	A1	8/2003	Kwak	.....	455/557
2004/0130915	A1	7/2004	Baarman	.....	363/21.02
2006/0199146	A1	9/2006	Mandelkern et al.	.....	433/52
2007/0032274	A1	2/2007	Lee et al.	.....	455/575.2
2007/0072474	A1	3/2007	Beasley et al.	.....	439/332

### FOREIGN PATENT DOCUMENTS

KR	10-2004-0028312	4/2004
KR	10-2004-0028312 A	4/2004

KR	10-2006-0005537	1/2006
KR	10-2006-0005537 A	1/2006
KR	10-2006-0031526	4/2006
KR	10-2006-0031526 A	4/2006
WO	WO 2006-077418 A1	7/2006

### OTHER PUBLICATIONS

U.S. Appl. No. 11/817,929, filed Sep. 6, 2007, Yoon-Sang Kook, Hanrim Postech Co., Ltd.

U.S. Appl. No. 12/843,820, filed Jul. 26, 2010, Yoon-Sang Kook, Hanrim Postech Co., Ltd.

U.S. Office Action dated Dec. 19, 2014, issued to the corresponding U.S. Appl. No. 14/312,188.

\* cited by examiner

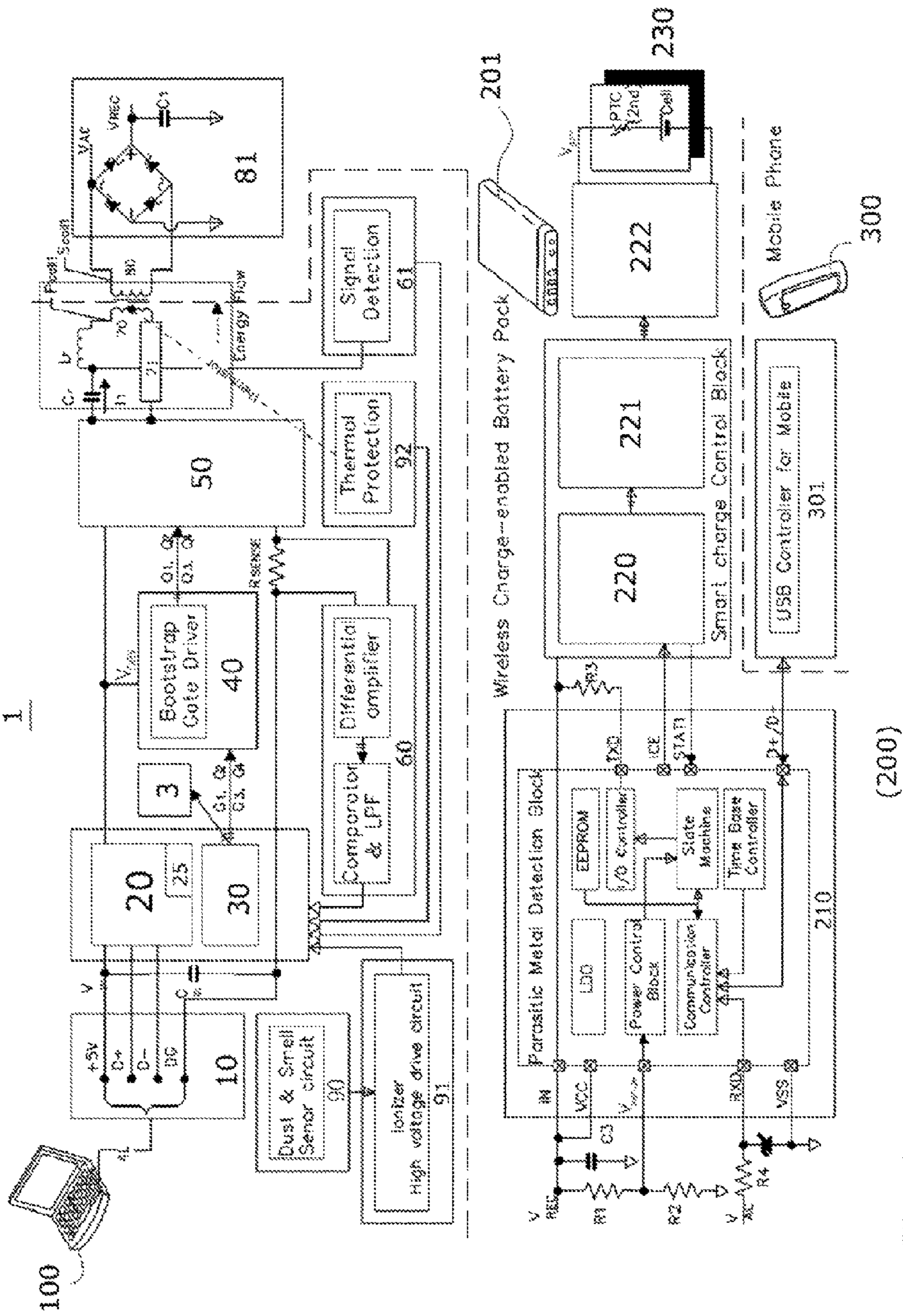


Fig. 1

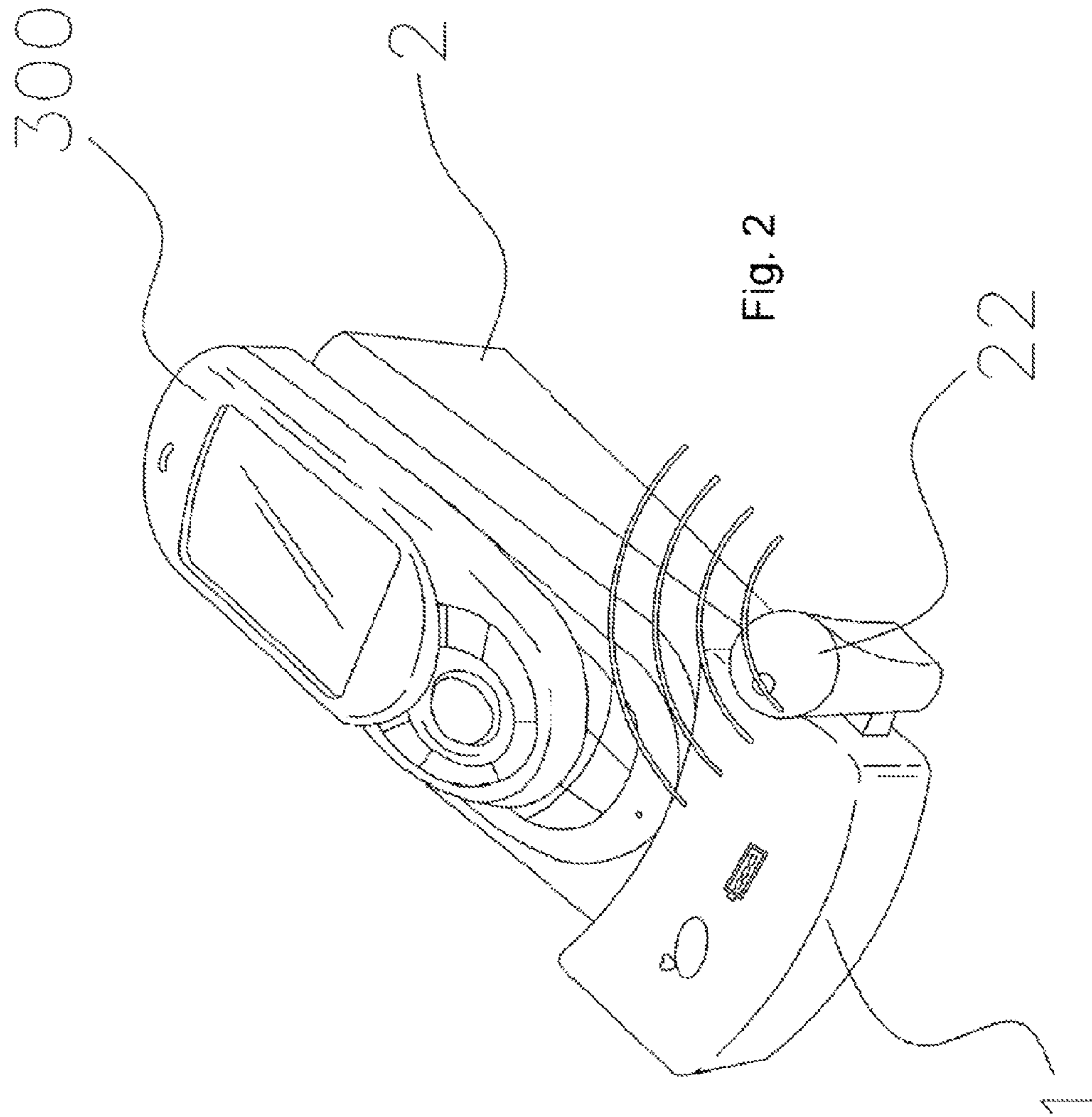


Fig. 2

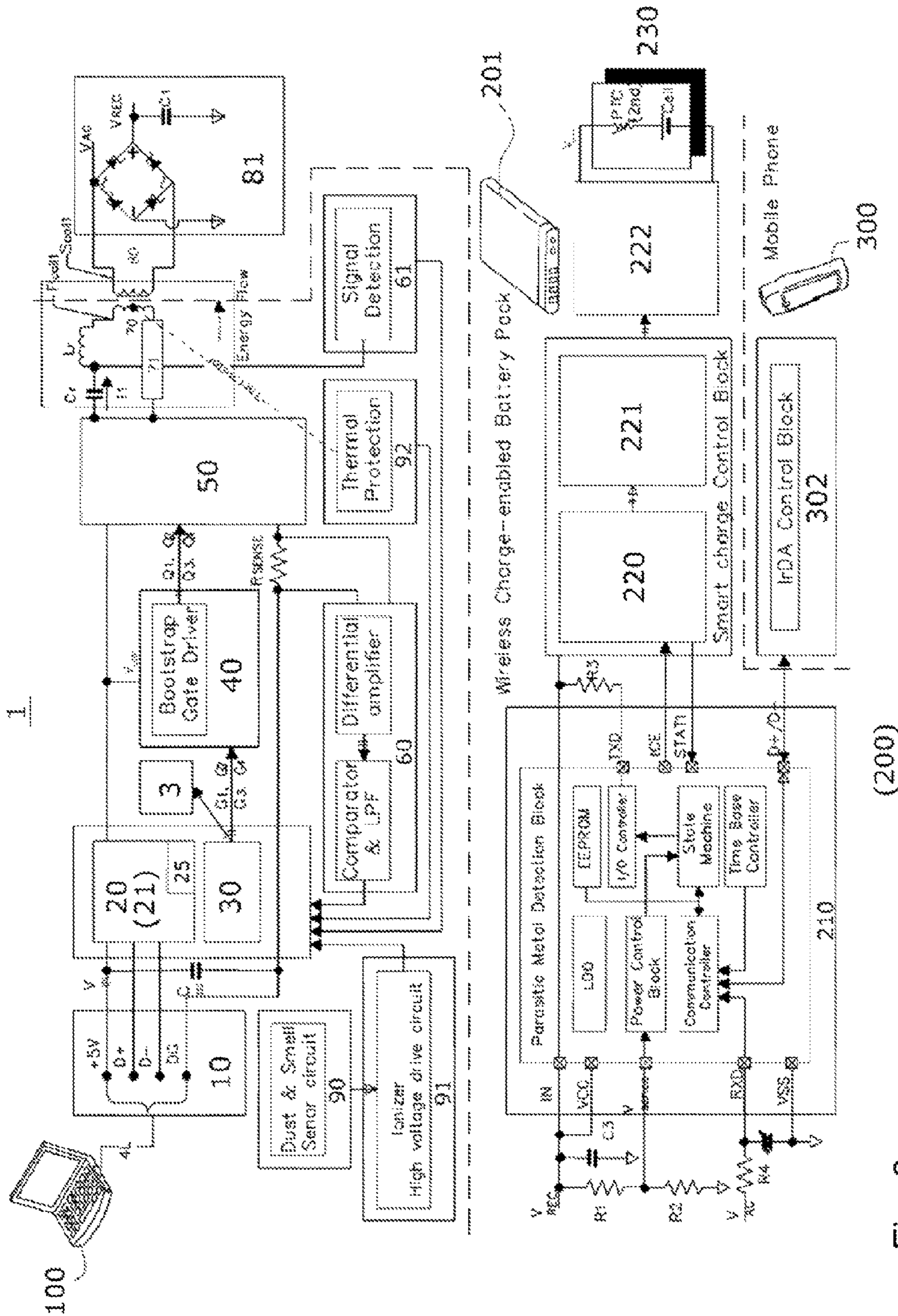


Fig. 3

(200)

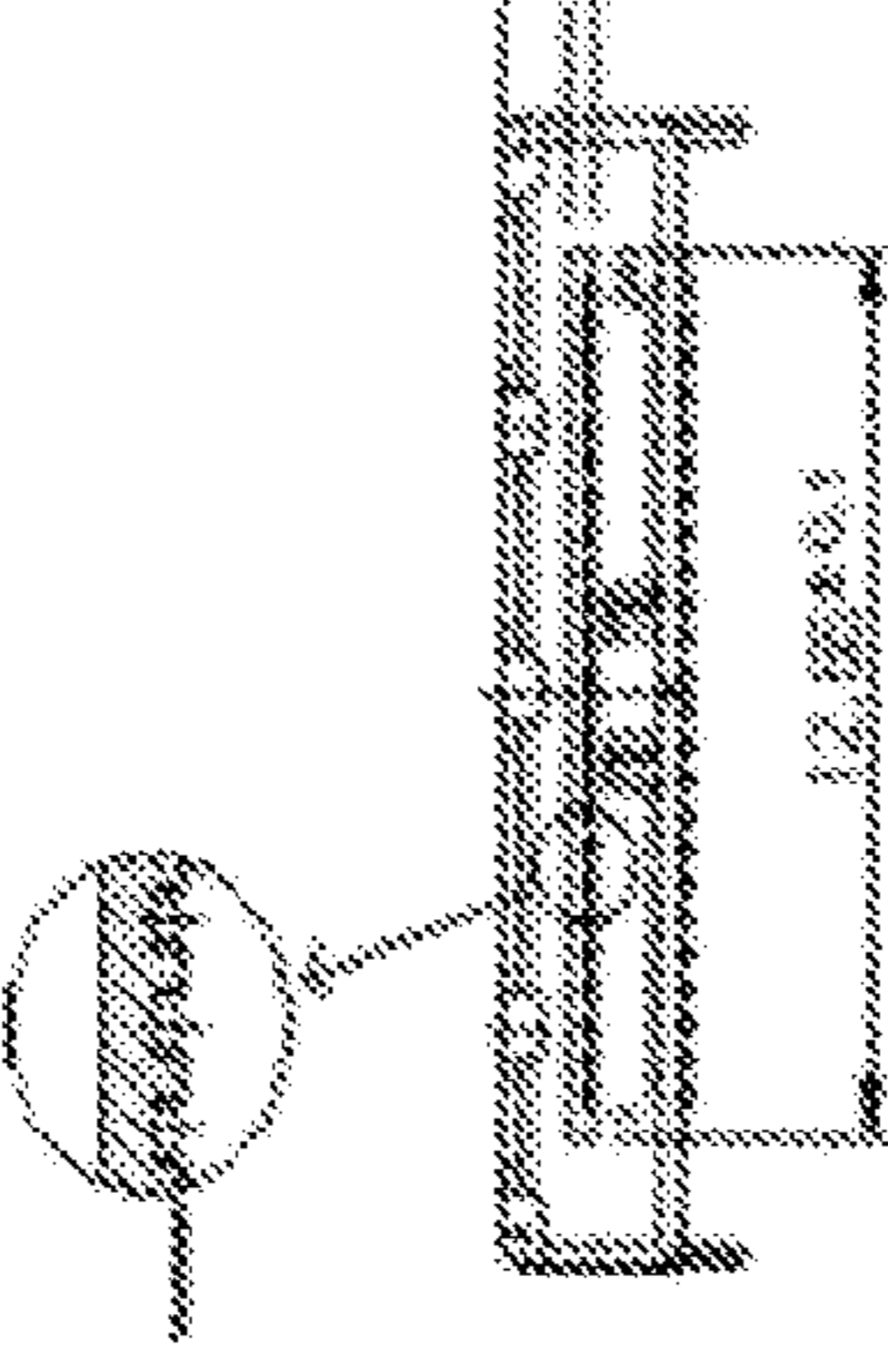
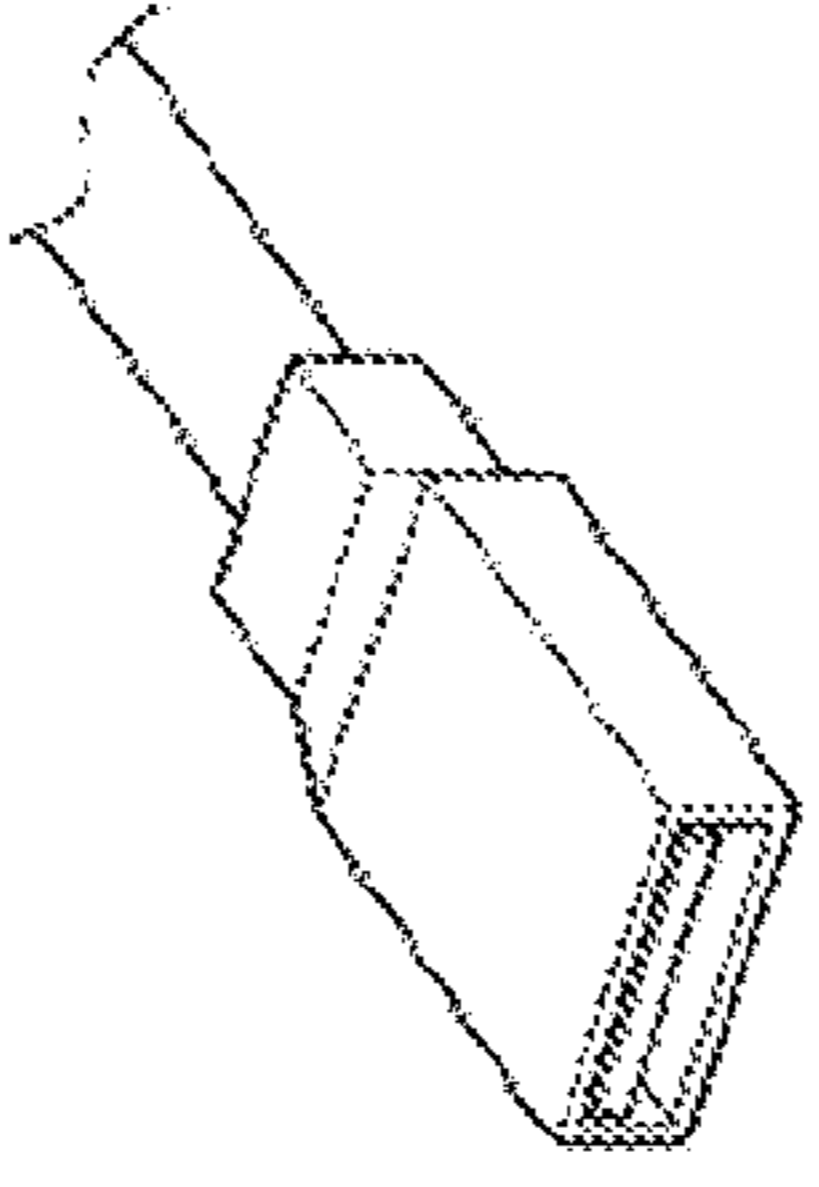
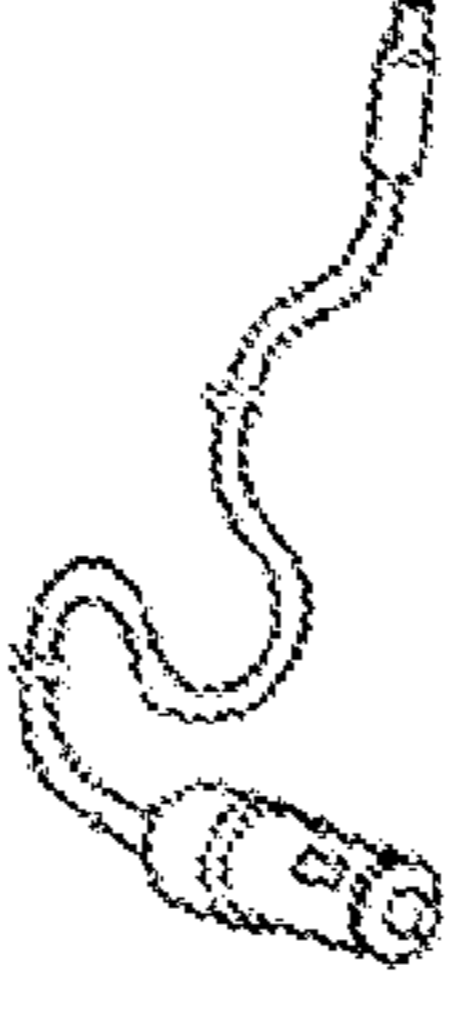
Standard 24PIN Socket	
USB Connector	
Cigar Socket	

Fig. 4

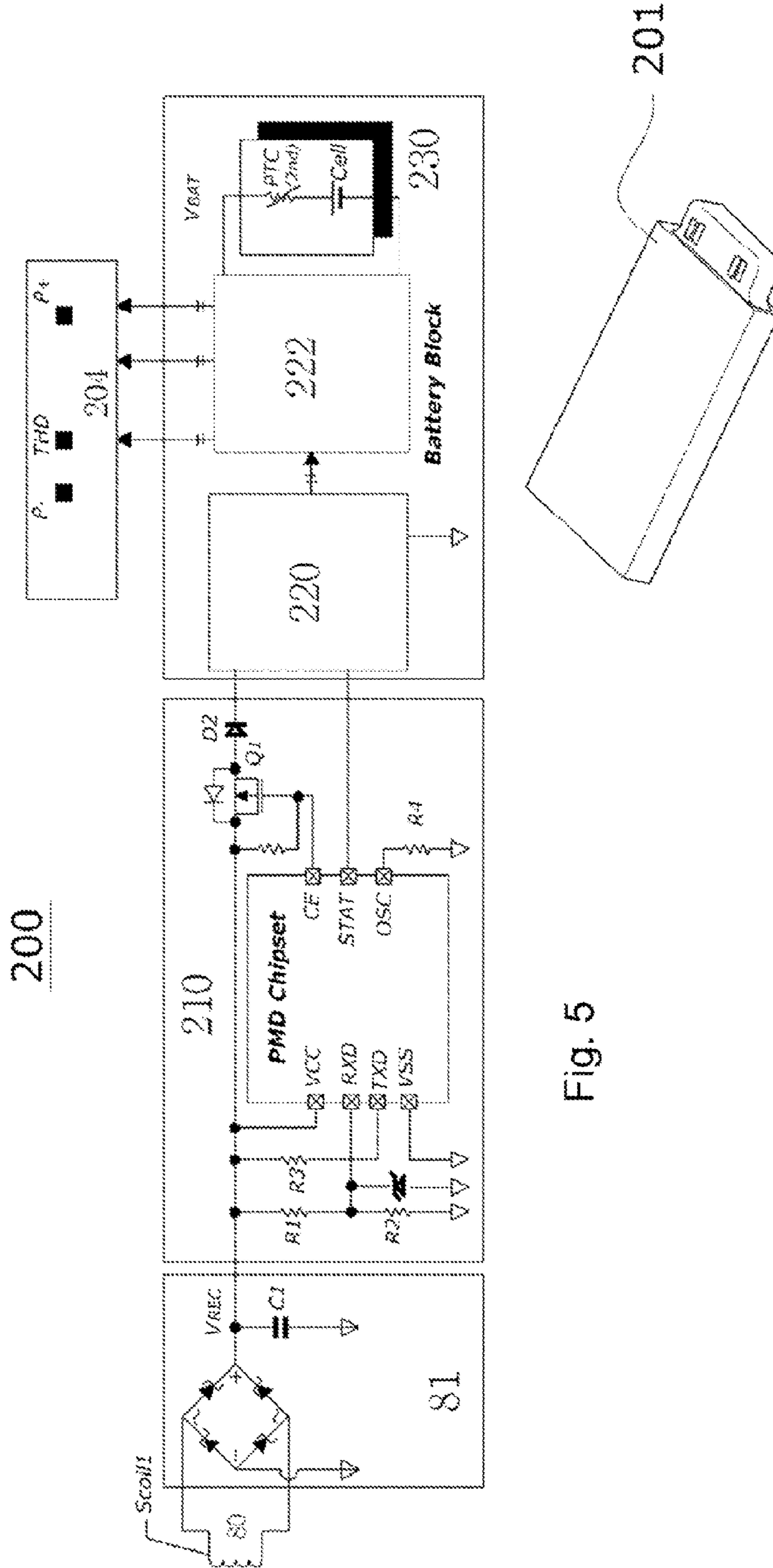


Fig. 5

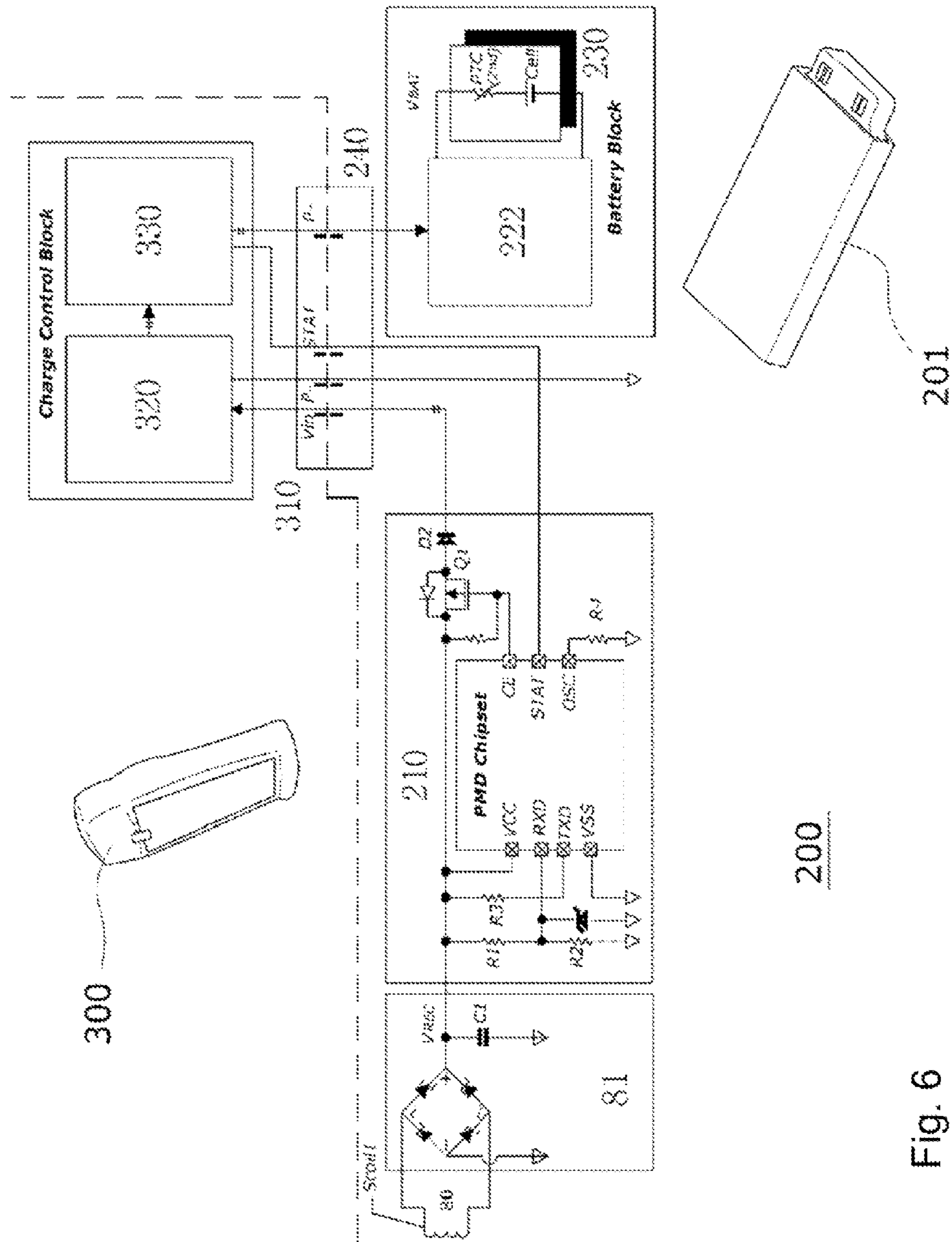


Fig. 6



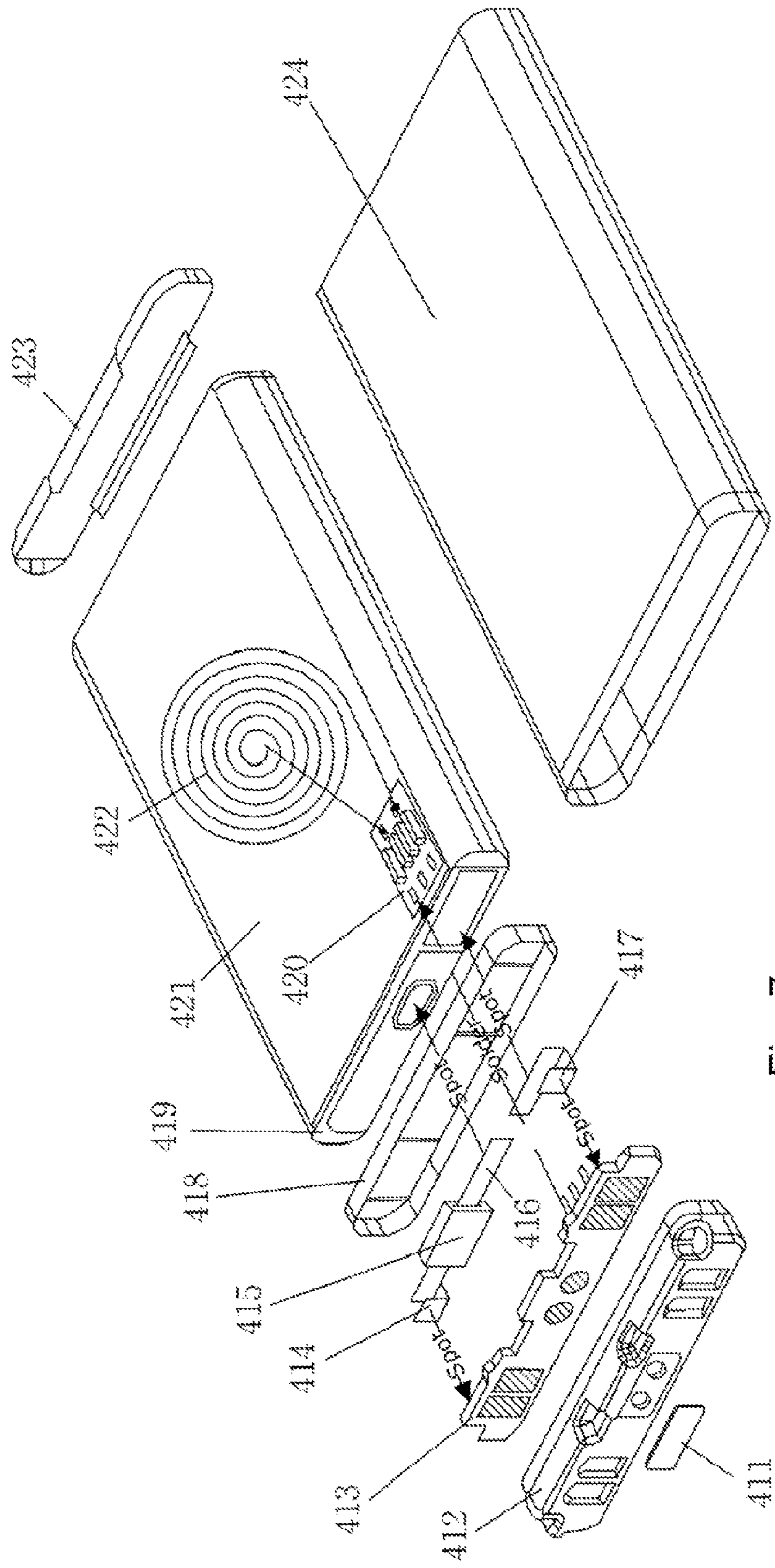


Fig. 7

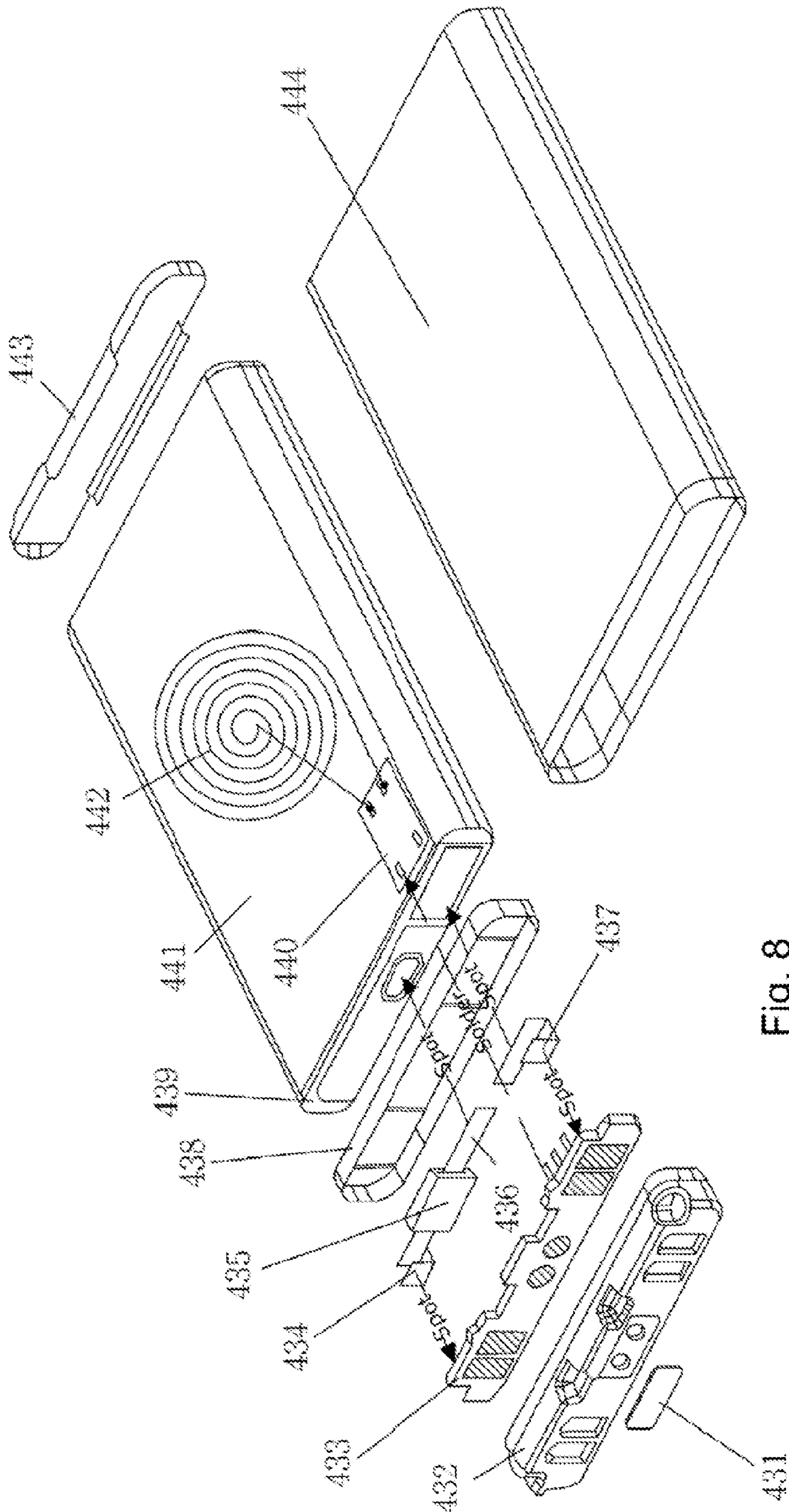
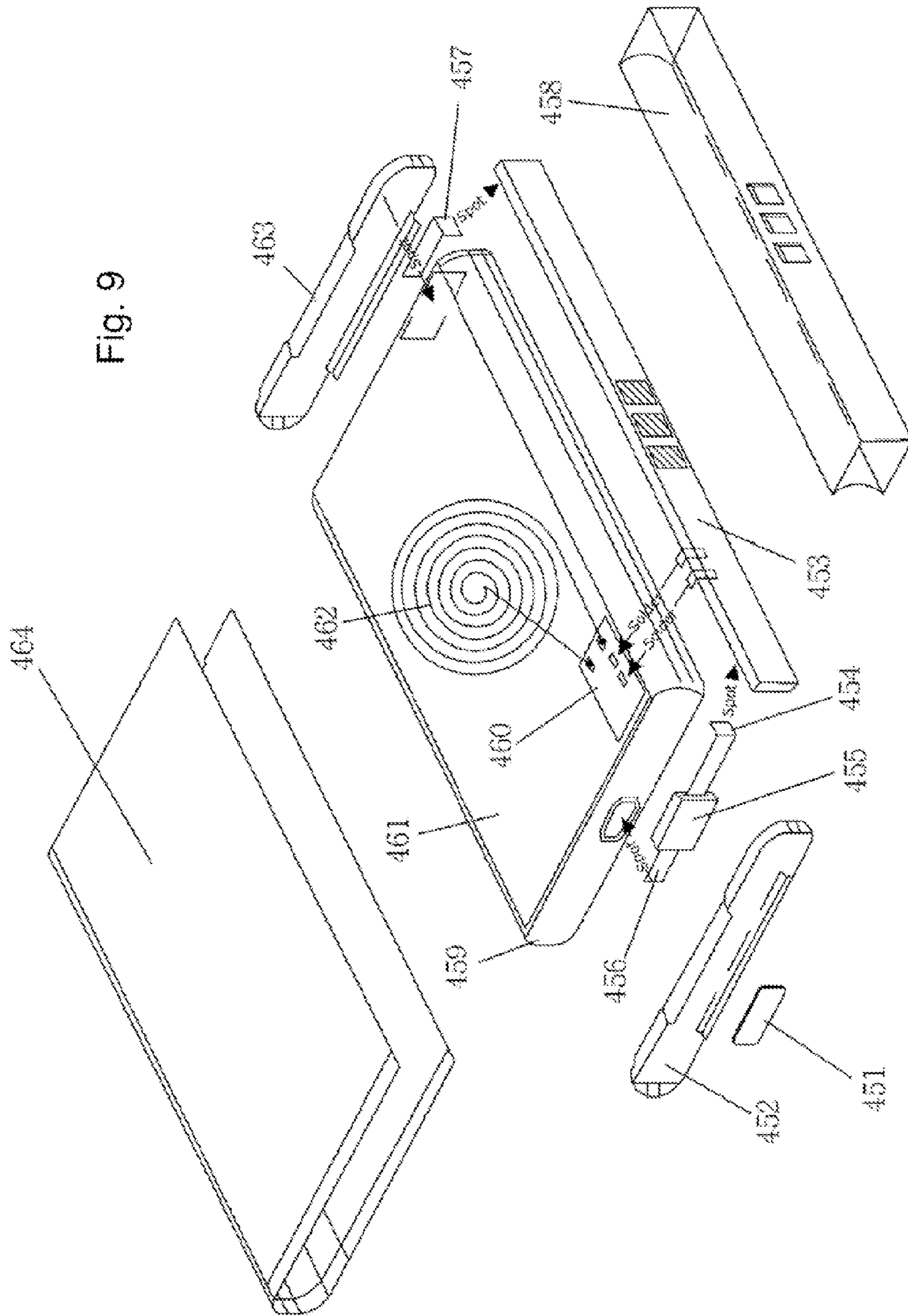


Fig. 8

Fig. 9



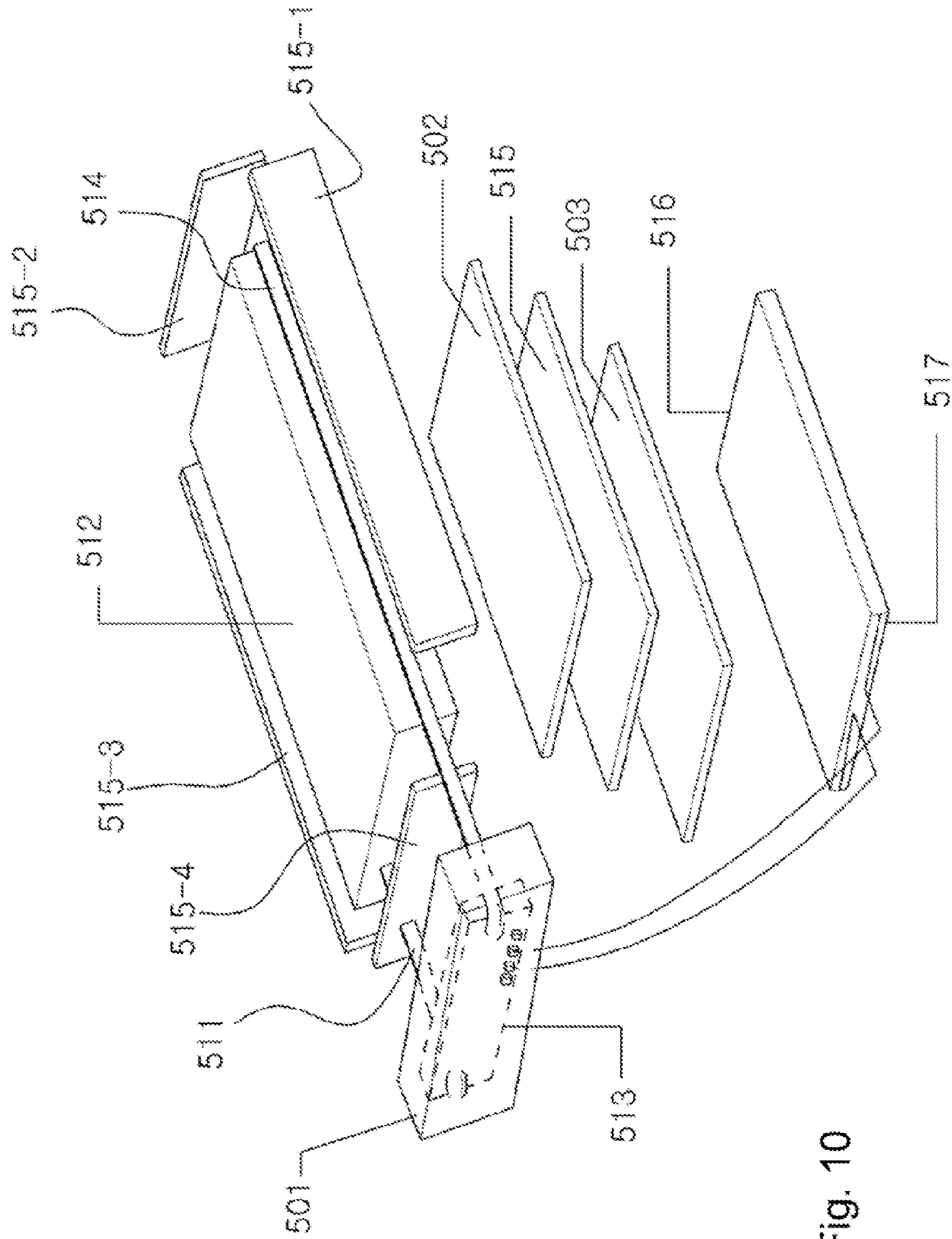
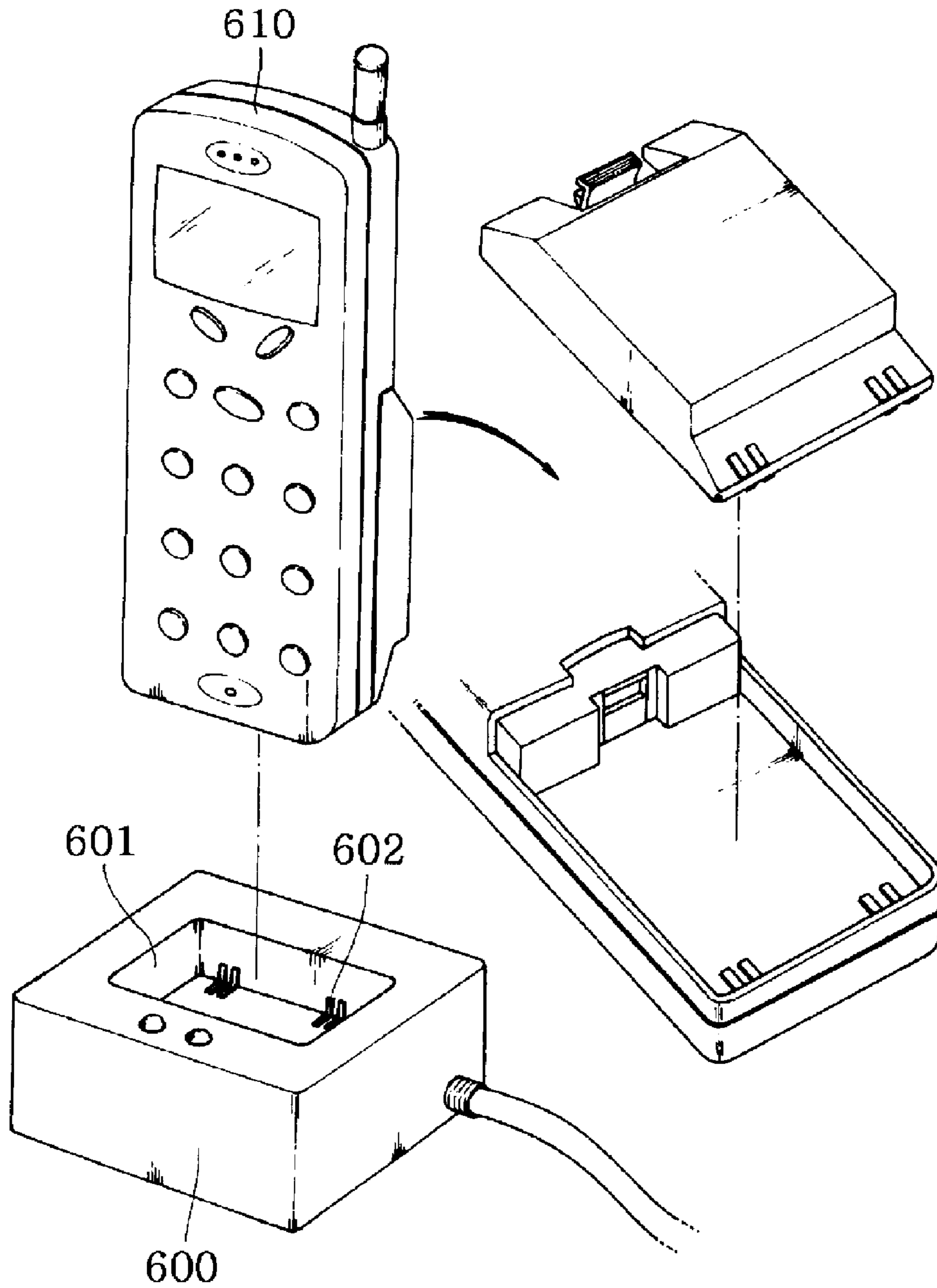


Fig. 10

Figure 11



**NON-CONTACT CHARGER AVAILABLE OF  
WIRELESS DATA AND POWER  
TRANSMISSION, CHARGING  
BATTERY-PACK AND MOBILE DEVICE  
USING NON-CONTACT CHARGER**

**Matter enclosed in heavy brackets [ ] appears in the original patent but forms no part of this reissue specification; matter printed in italics indicates the additions made by reissue; a claim printed with strikethrough indicates that the claim was canceled, disclaimed, or held invalid by a prior post-patent action or proceeding.**

This is a continuation of application Ser. No. 11/817,929, filed Sep. 6, 2007, which claims priority under 35 U.S.C. §119(a) to Korean Patent Application No. 10-2006-0103254, filed on Oct. 24, 2006, in the Korean Intellectual Property Office. The contents of all of these priority applications are incorporated herein by reference in their entirety as if set forth in full.

TECHNICAL FIELD

The present invention relates to a non-contact charger, and more particularly to a non-contact charger capable of wireless data communication and power supply between a non-contact charger capable of computer UBS communication and a charging battery-pack of a mobile device, using an induced electromotive force, thereby to enable data communication and power supply at the same time and to make good signal transmission without other poor contacts in the contact transmission.

BACKGROUND ART

Generally, mobile devices are apparatuses that users easily hold and use while moving along, and includes mobile phones, PDA, MP3 players, etc.

These mobile devices are configured so that they can be used for a certain period by mounting a charged battery in a mobile device or charging a battery installed inside the mobile device. Therefore, the mobile devices provide conveniences to allow them to receive required data from a desk-top computer or a notebook computer and operate desired functions by re-charging their batteries, if necessary.

In Korean Patent Publication No. 10-2001-0026976 (charging equipment for hand phone), a charger for mobile phones used for these mobile devices is configured so that an externally supplied power line can be provided in one side of a body **600**, a lower portion of a mobile phone **610** is inserted into an upper mounting space **601** of the body **600**, and an internal device **602** in the upper mounting space **601** of the body **600** can come in contact with a power device in a rear lower portion of the mobile phone **610** to supply a power source to the mobile phone **610**, as shown in FIG. **11**.

These conventional power supply devices have disadvantages that they should be connected to a computer using a separate data cable since they function to supply a power source but not to transmit or process data. The power supply devices also problems that repeated contacts between a contact device of a body with a contact device of a mobile phone cause the sudden change in voltage between them since they are operated in a contact mode, which leads to poor electrical contact between the contact devices and low stability of the power supply devices. In particular, they are problematic in

that a lot of moisture and dusts further aggravate the electrical contact, which leads to the mishaps to the mobile phone and the power supply devices.

DISCLOSURE

Technical Problem

Accordingly, the present invention is designed to solve the problems of the prior art, and therefore it is an object of the present invention to provide a non-contact charger capable of wireless data communication and power transmission and a mobile device using the same, wherein the non-contact charger enables wireless data communications and wireless charging between mobile devices (mobile phones, PDA, MP3 players, DAB or DMB devices, PMP, or Handheld devices, etc) and a personal computer (PC) through the non-contact power transmission using an induced electromotive force in which an output power of a USB port is used as an input device in TC, TA or PC.

Also, it is an object of the present invention to provide a non-contact charger capable of wireless data communication and power transmission and a mobile device using the same, wherein the non-contact charger has a foreign substance detection function to detect and remove foreign metal substance rather than a battery pack (a pack having a secondary-side wireless charger module installed inside) of a mobile device to be charged when the foreign metal substance are placed on the mobile device; an identification function to sense the battery pack of the mobile device and sense a charging level of the battery pack; and overload and temperature protection functions.

In order to accomplish the above object, one embodiment of the present invention provides a non-contact charger capable of wireless data communication and power transmission including a USB connector **10** provided in one side of an enclosed device body **2** to attachably/detachably couple with a USB port of a computer or a notebook computer using a jack; a USB driver block **20** coupled to the USB connector **10** and emulated with a USB protocol to receive and transmit data from/to the computer or the notebook computer; an MPU block **30** coupled to the USB connector **10** to control a serial resonator converter **50**, a current sensing block **60** and a power supply member, each for receiving a power source from the computer or the notebook computer and supplying the received power source to a mobile device, or receiving and transmitting data from/to the computer or the notebook computer; and a primary coil **70** formed on the device body **2** to generate an induced electromotive force so as to wirelessly transmit a data signal and a power signal from the serial resonator converter **50** to the mobile device, wherein the serial resonator converter **50** converts the data signal received/transmitted between the USB driver block **20** and the mobile device and the power signal supplied from the USB connector **10** to the mobile device, and sums up the converted data and power signals, and the current sensing block **60** analyze a signal of the secondary coil **80** to recognize the mobile device, monitors the primary coil **70** and the secondary coil **80** to control a charge voltage to a stable voltage, and transmits a signal of the MPU block **30**, the signal of the secondary coil **80** being transmitted from the primary coil **70** that senses a load regulation signal by means of the secondary coil **80** corresponding to the primary coil **70** and arranged in the mobile device.

Accordingly, the primary coil **70** may be composed of any one of FPCB, PCB, coil and ferrite core in a detachable transformer and formed in a circular, tetragonal or polygonal

shape, and the serial resonator converter **50** may be a LLC full-bridge serial resonator converter which is a serial & parallel resonator converter in half wave type or full wave type, and the non-contact charger capable of wireless data communication and power transmission according to the present invention may further include a gate drive block **40** provided between the USB driver block **20** and the serial resonator converter **50**, and the MPU block **30** and the serial resonator converter **50** and having a bootstrap gate driver; and a display unit **3** for receiving a signal from the primary coil **70** to display a charging level of a rechargeable battery **230** through the control of the MPU block **30**, the primary coil **70** sensing a signal of the charging level of the rechargeable battery **230** from the signal of the secondary coil **80**.

Also, the non-contact charger capable of wireless data communication and power transmission according to the present invention may further include a thermal protection safety block **92** for sensing an internal temperature of the device body **2**, determining a temperature of the primary coil **70** and transmitting a signal to the MPU block **30** for the purpose of the circuit cutoff; a bimetal **71** coupled in series to the primary coil **70** to intercept a current flow when a current excessively flows in the primary coil **70** or the internal temperature is increased excessively; a dust & smell sensor circuit **90** for sensing dusts and smells inside the device body **2**; and an ionizer high voltage drive circuit control block **91** for generating anions and spraying an antimicrobial spray for the bacterial eradication, the current sensing block **60** further may have a foreign substance detection function that is to give an ID to continuously transmit a data signal and a power signal if constant intervals of a PWM pulse are generated in the primary coil **70** and the detected signal from the secondary coil **80** which is in response of the constant intervals of the PWM pulse is detected as a normal signal, or to sense the detected signal as the foreign substance to suspend the transmission of the data signal and the power signal if there is no response or the detected response signal is not a normal signal, and the USB driver block **20** may further include an IrDA signal converter **21** for converting a data signal into USB protocol and IrDA; an IrDA port **22** for transmitting/receiving the data signal, converted to the IrDA by the IrDA signal converter **21**, to/from the mobile device through the control of the MPU block **30**; and a mobile device ID detector for sensing and identifying a unique ID of the mobile device.

Also, another embodiment of the present invention provides a charging battery-pack including a charger body **201** capable of being in contact with one side of the charge body **2** of the non-contact charger **1** as defined in any of claims **1** to **6**, transmitting/receiving a data signal by means of a magnetic field in no contact with the primary coil **70** and having the secondary coil **80** provided in one side thereof and receiving a power signal; a charger controller **210** coupled to the secondary coil **80** arranged in one inner side of the charger body **201** to process a power signal transmitted from the primary coil **70** and transmit the process power signal to rechargeable battery **230** and to process a data signal transmitted/received to/from the primary coil **70**; and a charge management block **220** for transmitting a charging power to the rechargeable battery **230** through the control of the charger controller **210**, wherein the charge management block **220** supplies a power source of the rechargeable battery **230** to the mobile device.

Accordingly, the charger controller **210** may include a unique ID unit for transmitting a unique ID to the non-contact charger **1** through the secondary coil **80** and the primary coil **70** if the initial connection is sensed from the non-contact charger **1**; and a charge detector circuit for sensing a charging level of the rechargeable battery **230** to transmit a power

source to the non-contact charger **1**, and the charger body **201** may be composed of separated packs formed separately to attachably/detachably couple with the mobile device, or composed of integrated packs formed integrally to be arranged inside a body case of the mobile device, and the secondary coil **80** may be composed of any one of FPCB, PCB, coil and ferrite core of a detachable transformer, and formed in a circular, tetragonal or polygonal shape.

In addition, the charger body **201** may include a battery cell **512** for charging a power through a wireless power receiver circuit **513**, the power being induced from a secondary coil **516** wound into a charge receiver module **517**; shield plates **515**, **515-1**, **515-2**, **515-3**, **515-4** surrounding a bottom surface and four front, rear, left and right surfaces of the battery cell **512** and composed of Al, Cu, or Ni alloy metals to protect the battery cell **512** from a magnetic field; a magnetic plate **503** provided between the shield plate **515** and the charge receiver module **517** and composed of ferrites, Mn—Zn (50 parts by weight:50 parts by weight), Ni—Fe (80 parts by weight:20 parts by weight), or fine metals (Fe—Si—Cu—Nb) to easily induce the induced magnetic field into a secondary coil **516**; an insulating board **502** composed of meshes and insulators to prevent the heat of the shield plate **515** from being conducted into the battery cell **512**, the meshes being made of Ni—Cu provided between the shield plate **515** and the battery cell **512** and the insulators being able to release the heat and reduce heat conduction; a shield member **501** surrounding the wireless power receiver circuit **513** and composed of Al, Cu, or Ni alloy metals to shield a magnetic field against the wireless power receiver circuit **513**.

And, the mobile device using the non-contact charger according to still another embodiment of the present invention is configured so that it can receive a power source from the non-contact charger **1** as defined in claim **7** and transmit/receive a data.

Also, the mobile device may have a charging battery-pack **200** arranged inside of it and include an IrDA port for communicating a data with an IrDA controller **302** and an IrDA port **22** of the non-contact charger **1**, wherein the charging battery-pack **200** comprises the charger body **201** of the integrated pack as defined in claim **9**.

In addition, the mobile device may include a power reception device block **310** electrically contacted with the device block **240** of the charging battery-pack **200** as defined in claim **8** to receive a power source; a DC/DC converter **320** coupled to the power reception device block **310** to convert an electric power; and a charge block **330** for charging the electric power converted in the DC/DC converter **320**.

#### Advantageous Effects

As described above, the non-contact charger capable of wireless data communication and power transmission according to the present invention, and the mobile device using the same may be useful to supply an electric power while stably transmitting/receiving a data without any of errors in the transmission since the wireless data communication and the wireless charging between mobile devices (mobile phones, PDA, MP3 players, DAB or DMB devices, portable music players (PMPs), handheld devices, etc.) and personal computers (PCs) may be performed at the same time through the non-contact power transmission using an induced electromotive force in which an output power of a USB port is used as an input device in TC, TA or PC.

Also, the non-contact charger according to the present invention may be useful to prevent the damage of the mobile devices and maintain the optimum charging efficiency of the

5

battery pack since the non-contact charger has a foreign substance detection function to detect and remove foreign metal substance rather than a battery pack (a pack having a secondary-side wireless charger module installed inside) of a mobile device to be charged when the foreign metal substance are placed on the mobile device; an identification function to recognize the battery pack of the mobile device and recognize a charging level of the battery pack; and overload and temperature protection functions.

## DESCRIPTION OF DRAWINGS

These and other features, aspects, and advantages of preferred embodiments of the present invention will be more fully described in the following detailed description, taken accompanying drawings. In the drawings:

FIG. 1 is a circuit view showing a non-contact charger according to the present invention;

FIG. 2 is a perspective view showing one embodiment to which IrDA communication in the non-contact charger according to the present invention is applicable;

FIG. 3 is a circuit view showing another embodiment to which IrDA communication in the non-contact charger according to the present invention is applicable;

FIG. 4 is an exemplary view showing one embodiment that a charger using a 24-PIN connector, an adapter and a USB port are used as an input device in the non-contact charger according to the present invention;

FIG. 5 is a circuit view showing a charging battery-pack according to the present invention;

FIG. 6 is a circuit view showing another embodiment of the charging battery-pack according to the present invention;

FIG. 7 is an exploded perspective view showing the first embodiment of the charging battery-pack according to the present invention;

FIG. 8 is an exploded perspective view showing the second embodiment of the charging battery-pack according to the present invention;

FIG. 9 is an exploded perspective view showing the third embodiment of the charging battery-pack according to the present invention;

FIG. 10 is an exploded perspective view showing a battery-pack having a wireless power receiver module among the charging battery-pack according to the present invention; and

FIG. 11 is a use view showing a charging device for a conventional mobile phone.

## BEST MODE

Hereinafter, preferred embodiment of the present invention will be described in detail referring to the accompanying drawings.

That is to say, the non-contact charger 1 according to the present invention includes a USB connector provided in one side of an enclosed device body 2 to attachably/detachably couple with a USB port of a computer or notebook computer 100 using a jack; a USB driver block 20 coupled to the USB connector 10 and emulated with a USB protocol to receive and transmit data from/to the computer or notebook computer 100; an MPU block 30 coupled to the USB connector 10 to control a serial resonator converter 50, a current sensing block 60 and a power supply member, each for receiving a power source from the computer or notebook computer 100 and supplying the received power source to a mobile device 300, or receiving and transmitting data from/to the computer or notebook computer 100; a primary coil 70 formed on the

6

device body 2 to generate an induced electromotive force so as to wirelessly transmit a data signal and a power signal from the serial resonator converter 50 to the mobile device 300; and the like, as shown in FIG. 1 to FIG. 10.

Accordingly, the serial resonator converter 50 is such configured that it can convert the data signal received/transmitted between the USB driver block 20 and the mobile device 300 and the power signal supplied from the USB connector 10 to the mobile device 300, and sum up the converted data and power signals. And, the current sensing block 60 is such configured that it can analyze a signal of the secondary coil 80 to recognize the mobile device 300, monitor the primary coil 70 and the secondary coil 80 to control a charge voltage to a stable voltage, and transmit a signal of the MPU block 30, wherein the signal of the secondary coil 80 is transmitted from the primary coil 70 that senses a load regulation signal by means of the secondary coil 80 corresponding to the primary coil 70 and arranged in the mobile device 300.

And, the primary coil 70 is preferably composed of any one of FPCB, PCB, coil and ferrite core in a detachable transformer. For this purpose, the serial resonator converter 50 may be preferably configured as a resonant converter for conventional transformers, in particular configured for the purpose of the stable power transmission so that it can be configured as a LLC full-bridge serial resonator converter which is a serial & parallel resonator converter in half wave type or full wave type.

Also, the non-contact charger according to the present invention further includes a gate drive block 40 provided between the USB driver block 20 and the serial resonator converter 50, and the MPU block 30 and the serial resonator converter 50 and having a bootstrap gate driver; and a display unit 3 for receiving a signal from the primary coil 70 to display a charging level of a rechargeable battery 230 through the control of the MPU block 30, the primary coil 70 sensing a signal of the charging level of the rechargeable battery 230 from the signal of the secondary coil 80.

In addition, the non-contact charger according to the present invention may further include a thermal protection safety block 92 for sensing an internal temperature of the device body 2, determining a temperature of the primary coil 70 and transmitting a signal to the MPU block 30 for the purpose of the circuit cutoff according to the heating in the measured temperature of the primary coil 70 and its high-temperature state; a bimetal 71 coupled in series to the primary coil 70 to intercept a current flow when a current excessively flows in the primary coil 70 or the internal temperature is increased excessively; a dust & smell sensor circuit 90 for sensing dusts and smells inside the device body 2; and an ionizer high voltage drive circuit control block 91 for generating anions and spraying an antimicrobial spray for the bacterial eradication, as shown in FIG. 1 and FIG. 3. Also, the thermal protection safety block 92 with a temperature sensor for the overheat protection, the bimetal 71, the dust & smell sensor circuit 90, the ionizer high voltage drive circuit control block 91, and the like are preferably suitably configured in the charging battery-pack 200 and the mobile device 300 that are coupled to the non-contact charger 1 and operated.

The configuration and operation of the non-contact charger 1 according to the present invention will be described in detail, as follows. That is to say, the non-contact charger 1 according to the present invention is such configured that it can transmit a data between the non-contact charger 1 and the mobile device 300 and transmit a charging power at the same time using a core-to-core communication mode, the mobile device 300 having the charging battery-pack 200 or the charging battery-pack 200 arranged inside of it.



Such a non-contact charger **1** has a communication means for communicating with the computer or notebook computer **100** which can monitor and control states of inner systems of the mobile device **300**, the charging battery-pack **200** and the non-contact charger **1**. Therefore, as one example, it is shown that the computer or notebook computer **100** and the non-contact charger **1** are communicated to each other by means of the USB communication. This is why the USB communication in addition to the data communication makes it possible to supply the charging power to one line at the same time. However, the data communication between the non-contact charger **1** and the computer or notebook computer **100** is possible in a plurality of data transmission modes such as RS-232c, SISC and serial, parallel transmission modes etc. In this case, the non-contact charger **1** may be supplied with an electric power in conventional separate manners. That is to say, the non-contact charger **1** may be communicated with the computer or notebook computer **100**, and simultaneously supplied with a charging power of the mobile device **300** which is one of the peripherals, and also supplied with an electric power in conventional separate manners, which makes it possible to allow the charging and the data communication between the non-contact charger **1** and the mobile device **300** at the same time.

That is to say, the preferred exemplary embodiment of the present invention is a mode of the USB communication between the computer or notebook computer **100** and the non-contact charger **1**, and such a USB communication line is ruled so that, among four devices, two devices supply a power source and the other two devices transmit a data. Accordingly, the power source may be supplied to the non-contact charger **1** and the data may be transmitted/received in the USB communication mode. In such a USB communication mode, a host controller is installed inside the computer or notebook computer **100**, and therefore the devices connected by means of the lines may be controlled by the host controller. And, a USB driver block **20** of the non-contact charger **1** corresponding to the host controller has a controller for a USB of the non-contact charger **1** installed inside, and the USB driver block **20** converts these information in the USB mode and transmits/receives the converted information to/from the computer or notebook computer **100** according to the conditions of the non-contact charger **1**, or if the it is coupled to the charging battery-pack **200** or the mobile device **300** which is coupled to the non-contact charger **1**.

Also, communicating in this USB communication mode is transmitting/receiving the modulated information in the primary coil **70** and the secondary coil **80**. And, a controller for the USB communication may also be installed inside the charging battery-pack **200**, and a controller for the USB communication may also be installed inside the mobile device **300**. Therefore, the controllers communicate with the computer or notebook computer **100** in the USB communication using the non-contact charger **1** as a hub since these communication signals are possibly transmitted through the USB driver block **20** of the non-contact charger **1**.

Accordingly, the non-contact charger **1** that communicate a data with the mobile device **300** using the core-to-core communication mode and transmits an electric power includes a USB connector **10** for coupling with a USB port of a computer and notebook computer **100**; a USB driver block (USB emulation control block) **20** coupled to the computer and notebook computer **100** and the USB connector **10** to receive music, moving pictures, data from the computer or notebook computer **100** and emulate them with a USB protocol; an MPU block **30** for controlling internal elements of the non-contact charger (wireless charger) **1**; a gate drive block

including a bootstrap gate driver; a serial resonator converter **50** which is an LLC full-bridge serial resonator converter; a primary coil **70** used as a detachable transformer composed of FPCB, PCB, coil and ferrite core and synthesizing a signal through the control of the MPU block **30** and wirelessly transmitting the synthesized signal to the secondary coil **80** of the battery-pack installed inside the mobile device **300**; a bimetal **71** coupled in series to a C-L resonator when all functions of the chips are shut down and detachably inserted to ensure its safety when the core (a primary coil **70**) are overheated; a dust & smell sensor circuit **90** for sensing dusts and smells on the non-contact charger **1**; an ionizer high voltage drive circuit control block **91** for spraying an antimicrobial spray for the partial anion generation or the bacterial eradication; a current sensing block **60** for stably controlling an electric power through a current feedback using an automatic variation algorithm of primary frequency so as to recognize ID of the charging battery-pack **200** in the MPU block **30** of the charging module in the primary coil **70** through the load regulation in the mobile device having a wireless charging module installed inside of it, the wireless charging module being coupled to the secondary coil **80** and arranged in the charging battery-pack **200**, and to control a voltage of a secondary rectification terminal in the charging battery-pack **200**; a thermal protection safety block **92** for sensing a temperature of the charging chips; and a signal detection block **61** coupled to the primary coil **70** to detect a secondary signal, the primary coil **70** sensing a feedback signal out of the secondary signal in the charging battery-pack **200**.

As a result, the mobile device **300** may use the above-mentioned non-contact charger **1** as a hub of the USB communication to receive music, moving pictures, data, etc. from the computer (PC) or notebook computer **100**, and further control the mobile device **300** in the computer or notebook computer **100**. For this purpose, the USB driver block **20** coupled to the USB connector **10** emulates the transmitted/received data with a USB protocol, and wirelessly transmits a signal to the mobile device **300** or the charging battery-pack **200** by synthesizing a signal in the primary coil (a detachable transformer: a transformer composed of FPCB, PCB, Coil and Ferrite core) **70** through the USB driver block **20** and the MPU block **30** and converting the synthesized signal. Therefore, like the primary coil **70**, the USB driver block **20** receives a data signal transmitted from the secondary coil (a detachable transformer: a transformer composed of FPCB, PCB, Coil and Ferrite core) **80** of the charging battery-pack **200** to separate a signal through the frequency shift keying (FSK), and stores the data in a storage medium (memory) of the mobile device **300**. Therefore the USB driver block **20** may store data using the USB controller **301** since it includes the USB controller **301**.

In addition, if the charging battery-pack **200** or the mobile device **300**, each having a secondary wireless charging module installed inside, approaches the non-contact charger **1** when the non-contact charger **1** is still in operation, then they may be automatically synchronized in the computer or notebook computer **100** to be automatically contacted by means of the USB communication, and the storage medium folders are popped up in the mobile device **300** to wirelessly upload and download music (MP3 format), moving pictures (avi, asf, dat format), data, etc. to/from the computer or notebook computer **100**.

That is to say, the non-contact charger **1** coupled to the computer or notebook computer **100** senses the contact of the charging battery-pack **200** by allowing the primary coil **70** to transfer a pulse in constant intervals. Then, the wireless data communication possible between the primary coil **70** of the

non-contact charger **1** and the secondary coil **80** of the charging battery-pack **200**. Separately, the non-contact charger **1** may supply an electric power of the USB port in the computer or notebook computer **100**, or separate supply powers to the charging battery-pack **200**. The configurations of the non-contact charger **1** and the battery pack **200**, and the mobile device and the like will be carried out using a large number of techniques filed by the inventors. In addition to the charging and data communication mode by the above-mentioned non-contact charger **1** and battery pack **200**, the non-contact charger **1** and the battery pack **200**, and the mobile device and the like are provided in the present invention so that an electric power can be supplied to them and the data can communicate between them, thereby to facilitate the data transmission/reception to/from a controller of a main computer or notebook computer, and the state monitoring, etc.

And, if the current sensing block **60** receives a signal which is proven not to have a memory in which the signal from the secondary coil **80** can receive the mobile device **300** and music (MP3 format), moving pictures (avi, asf, dat formats), data, etc, then the USB driver block (USB emulation control block) **20** further includes a USB data transmission control module **25** not to transmit the USB data (music (MP3 format), moving pictures (avi, asf, dat format), data, etc.) through the control of the MPU block **30**, and the mobile device may thus transmit data again if the mobile device is proven to be in contact. Then, the primary coil **70** and the secondary coil **80** transfer only an electric power and a data required for the power transfer, and also transmits suitable signals for them to the computer or notebook computer.

Then, a unique ID is generated in the charging battery-pack **200** or the mobile device **300** in response to the pulse signal of the non-contact charger **1** and transmitted to the non-contact charger **1** via the serial resonator converter **50**, the primary coil **70** and the secondary coil **80** through the control of the MPU block **30** of the non-contact charger **1**. That is to say, if a unique ID signal is transmitted through the secondary coil **80** from ID chips in the charger controller **210** of the charging battery-pack **200**, the ID chips having a secondary wireless charging module installed inside, then the unique ID of the charging battery-pack **200** or the mobile device **300** is recognized by a load regulation signal of the supplied power signal in the primary coil **70**, the signal detection block **61**, the current sensing block **60**. If the unique ID of the charging battery-pack **200** or the mobile device **300** is recognized as described above, then information about the charging battery-pack **200** or the mobile device **300** is transmitted to the computer or notebook computer **100**. That is to say, if the non-contact charging battery-pack **200** is put on the non-contact charger **1**, the ID chips installed inside the charging battery-pack **200** operate and regulate a load under a non-load state to transmit a charge start ID to the non-contact charger **1**, and the non-contact charger **1** feedbacks the signal to confirm that the ID accords as a right signal, and supplies an electric power to the charging battery-pack **200** in a full power mode if the ID accords as a right signal.

And, if the unique ID of the charging battery-pack **200** or the mobile device **300** is recognized, then a voltage of the secondary rectification terminal in the charging battery-pack **200** or the mobile device **300** is controlled to a constant voltage by means of the primary coil **70** and the secondary coil **80**. This may control the secondary charging power of the charging battery-pack **200** or the mobile device **300** using an automatic variation algorithm of primary frequency of the non-contact charger **1**, minimize a consumed power [ $P_{dis} = (V_{out} - V_{bat}) \cdot I_{chg}$ ] by  $V_{drop}$  in the primary coil **70**, the signal detection block **61** and the current sensing block **60** of the

non-contact charger **1** to reduce separate elements of the secondary charging module in the charging battery-pack **200** or the mobile device **300**, and prevent the increase in temperature of other charging chips. Therefore, it is possible to use linear charging IC without the use of the complex and expensive switching charging IC, and to ensure an inner space of the battery-pack.

Next, different kinds of metal bodies without any of charging modules are heated by the heat which is generated due to the loss by an eddy current by an induced electromotive force when the metal bodies are put on the non-contact charger **1**, which leads to the damage in the non-contact charger **1**. This phenomenon is one of the problems that have the most serious effect on the stability of the non-contact charger **1** using the induced electromotive force. Therefore, the mobile devices should have a safety device to recognize different kinds of metal bodies, such as coins, metal pens, scissors, etc., without any of charging modules and to shut down an electric power to prevent their overheat.

As configured above, a means for transmitting an electric power from the primary coil **70** to the secondary coil **80** is to use a half wave or full wave type serial & parallel resonator converter to induce LC resonance, thereby to make an electric current into a sine wave and transmit an electric power to the secondary side by means of the inductive coupling. At this time, the switching frequency is set to a higher level than the resonant frequency to be soft-switched. There is a mechanism for sensing and determining whether different kinds of foreign substance is put on the non-contact charger **1** by applying a PWM pulse at constant intervals in the primary coil **70** for a very short time. The switching frequency and the phase of current is always formed at an angle of 90 degree under an unloading condition. At this time, the phase of current is changed with the change in self inductance if foreign substance approaches the primary coil **70**, and a level of the foreign substance is recognized according to the level of phase difference. That is to say, if an approaching matter is sensed, an ID check signal is transferred during a constant period that an electric power is applied. At this time, the approaching matter is recognized as foreign substance if a feedback unique ID signal is not sensed or different ID is sensed, and then a charging system of the non-contact charger **1** is shut down not to supply a charging power to the primary coil **70**, thereby to ensure the stability of the charge management block in the charging battery-pack **200** or the mobile device **300**.

That is to say, the current sensing block **60** of the non-contact charger **1** generates constant intervals of a PWM pulse in the primary coil **70**, and then the current sensing block **60** further has a foreign substance detection function that is to give an ID to continuously transmit a data signal and a power signal if constant intervals of a PWM pulse are generated in the primary coil **70** and the detected signal from the secondary coil **80** which is in response of the constant intervals of the PWM pulse is detected as a normal signal, and to sense the detected signal as the foreign substance to suspend the transmission of the data signal and the power signal if there is no response or the detected response signal is not a normal signal.

Also, complicated techniques are required for this foreign substance detection function to sense the foreign substance during the charging, wherein an electric power gradually falls down with the charging. Hysteresis is put on this power curve, and a matter is recognized as foreign substance if a signal of the matter goes beyond a hysteresis period when the matter is put on the current sensing block **60**, thereby to use an algorithm to shut down the current sensing block **60**.

## 11

The present invention may provide a wireless charging solution with the safety and the battery monitoring function of the charging battery-pack **200** in the non-contact charger **1**, wherein a safety device and wireless charging modules are installed inside the charging battery-pack **200**.

In addition, the non-contact charger **1** basically detect temperature of the primary coil **70** and various component chips using the thermal protection safety block **92**, or monitors inner temperature of the device body **2** to prevent an overcurrent flow since the non-contact charger has chips having a shut-down function at a constant temperature over 45° C. and a protection function against the overcurrent and overvoltage, and also prevent an overcurrent flow since the non-contact charger **1** has a fuse installed inside. And, a circuit is intercepted if the functions of the component chips in the non-contact charger **1** is paralyzed and erroneous signals are detected, and then the non-contact charger **1** organizes safety devices, for example to intercept a circuit when the primary coil **70** is overheated, by forming bimetals **71** in series in a C-L resonator coupled to the primary coil **70**.

And, the non-contact charger **1** additionally functions to spray an antimicrobial spray for the anion generation or the bacterial eradication, and display a charging level of the LCD display unit **3** or the computer and notebook computer **100**, etc. In addition, if the rechargeable battery **230** is fully charged, then the rechargeable battery **230** receives a full charging signal, outputted from the charging IC, from ID chips and transmits the full charging state to the non-contact charger **1** through the control of the charger controller **210** by means of the load regulation, and then feedback this signal to display in a display unit **3**, the computer or notebook computer **100** and the like that the charging battery-pack **200** is completely charged.

This non-contact charger **1** of the present invention may be charged with an electric power from the computer or notebook computer **100** using a USB port as described above and shown in FIG. **4**, and also additionally configured to be charged in other manners under the circumstances that it is not connected with the computer or notebook computer, that is, that users are on their travels. That is to say, a 24-PIN connector using a charger, an adapter, a USB port, and the like may as an input device may be employed. As one example, if a portable charger is connected using a 24-PIN standard connector, then the portable charger is always supplied with a voltage of 4.2 V through pins **21** and **22** by means of certain ID resistance assigned to a pin **1**, and if an adapter is connected, then the adapter may be supplied with an electric power through pins **4** and **5**, and if a USB port is connected, then the USB port may be supplied with an electric power through a pin **16**, and therefore the non-contact charger **1** may operate at an input power of 4 to 5.5 V.

And, the adapter using the 24-PIN standard connector may be used to charge two mobile devices at the same time by constituting a docking station to connect two non-contact chargers to each other, wherein the docking station may charge two mobile devices at the same time.

The non-contact charger **1** of another embodiment of the present invention as configured thus will be described in detail, as follows.

That is to say, the USB driver block **20** that communicate with the computer or notebook computer **100** using a USB port additionally has a function as a controller for the USB, as well as a function to convert a data signal into an IrDA signal.

Accordingly, this USB driver block **20** further includes an IrDA signal converter **21** for converting a data signal into a USB protocol and an IrDA, and also it further includes an IrDA port **22** for transmitting/receiving a data signal to/from

## 12

the mobile device **300** through the control of the MPU block **30**, wherein the data signal is converted into IrDA by the IrDA signal converter **21**. Also, it further includes a mobile device ID detector (not shown) for sensing and identifying a unique ID of the mobile device **300** that is transmitted from the IrDA controller block **302** of the mobile device **300** and received in the IrDA port **22**.

Accordingly, FIG. **2** and FIG. **3** are diagrams showing a non-contact charger **1** having an IrDA transceiver module installed inside according to the present invention.

Referring to FIG. **2** and FIG. **3**, if the non-contact charger **1** is connected to a USB port of the computer or notebook computer **100** for the power input, the non-contact charger **1** converts data, such as USB communication protocol and IrDA, to each other using an IrDA signal converter **21** installed inside the non-contact charger **1**, and engages music, moving pictures, data and the like, which are stored from the PC or notebook computer, through an IrDA transceiver to wirelessly exchange the data with the mobile device **300** (mobile phones, PDA, PMP, DMB devices, MP3, etc.). Of course, a battery is charged with an electric power for power supply by transmitting energy to the mobile device **300** by means of the primary coil **70** and the secondary coil **80** by employing a non-contact detachable transformer.

If the IrDA port **22** installed inside the non-contact charger **1** and the IrDA port of the mobile device **300** are matched with each other to allow the mobile device **300**, with a secondary wireless charging module installed inside, to approach the non-contact charger **1**, then the non-contact charger **1** automatically synchronizes with a computer body by means of the primary coil **70** and the secondary coil **80**, as described above. As a result, USB is automatically connected to the computer or notebook computer **100** so that interactive infrared data communication can be made between the non-contact charger **1** and the mobile device **300**, and therefore a storage medium folder of the mobile device **300** may be popped up, the data such as music (MP3 format), moving pictures (avi, asf, dat format), and the like may be down-loaded, and other data may be processed at the same time.

Accordingly, FIG. **3** shows an infrared data communication system using an IrDA port installed inside between the non-contact charger **1** and the mobile device **300**, and a configuration of the non-contact charger **1** for transmitting an electric power.

That is to say, the non-contact charger **1** as shown in FIG. **3** includes a USB connector **10**; a USB driver block **20** having an IrDA signal converter **21** for converting a signal into a USB-to-IrDA; an MPU block **30**; a gate drive block **40** including a bootstrap gate driver; a serial resonator converter **50** of an LLC full-bridge serial resonator converter; a primary coil **70**; a secondary coil **80**; a bimetal **71**; an dust & smell sensor circuit **90**; an ionizer high voltage drive circuit control block **91**; a current sensing block **60**; a thermal protection safety block **92**; and a signal detection block **61** for detecting a secondary signal.

And, the mobile device **300** includes an IrDA controller **302** and IrDA port, and the like. Accordingly, the data communication is possible between the mobile device **300** and the non-contact charger **1** using each of their IrDA ports.

The mobile device **300** includes a charging battery-pack **200** coupled to the non-contact charger **1** of the present invention as configured thus to transmit/receive data to/from the non-contact charger **1** and wirelessly supplied with an electric power for power supply.

That is to say, the mobile device **300** may be coupled to one side of the charge body **2** of the non-contact charger **1**, and it includes a charger body **201** transmitting/receiving a data

signal by means of a magnetic field in no contact with the primary coil **70** and having the secondary coil **80** provided in one side thereof and receiving a power signal; a charger controller **210** coupled to the secondary coil **80** in an one inner side of the charger body **201** to process a power signal transmitted from the primary coil **70** and transmit the processed power signal to the rechargeable battery **230** and processing a data signal transmitted/received to/from the primary coil **70**; and a charge management block **220** for transmitting a charging electric power to the rechargeable battery **230** through the control of the charger controller **210**, wherein the charge management block **220** supplies an electric power of the rechargeable battery **230** to the mobile device **300**.

Accordingly, the mobile device **300** includes a unique ID unit (a unique ID chip) for transmitting a unique ID to the non-contact charger **1** through the secondary coil and the primary coil **70** if the charger controller **210** senses the initial connection from the non-contact charger **1**; and a charge detector circuit for sensing a charging level of the rechargeable battery **230** to transmit a data signal to the non-contact charger **1**.

And, the charger body **201** may be composed of separated packs separately formed to be detachable and attachable from/to the mobile device **300**. Also, the charger body **201** may be composed of integrated packs arranged inside a body case of the mobile device **300** to be formed integrally.

Then, the charger body **201** composed of the separated packs further includes a device block **240** for supplying a power source of the rechargeable battery **230** to the mobile device **300** through the control of the charger controller **210**.

A configuration of the charger body **201** will be described in detail with reference to FIG. **1** and FIG. **3**, as follows. First, the secondary coil **80** of the charging battery-pack **200** is coupled to a full-bridge rectification block **81** of the mobile device. And, the charger controller **210** coupled to the rectification block **81** may transmit a unique ID of the mobile device **300** or the charging battery-pack (a wireless charge-enabled battery pack) **200**, sense foreign substance, turn on/off a charging feedback charge circuit, and transmit a charging level to the non-contact charger **1**, and it has a signal-to-USB conversion function. And, the charger body **201** may includes a charge management block **220** for charging, a fuel gauge control block **221**, a protection control block **222**, a PTC and rechargeable battery **230**, and a USB controller **301** or an IrDA controller block **302** installed inside the mobile device **300**, and the like together.

And, the charging battery-pack **200** is provided with a plurality of safety devices, as in the safety devices of the above-mentioned non-contact charge management block **1**.

That is to say, the safety devices of the charging battery-pack **200** feedbacks the distributed voltage because NTC coupled to the outside of the safety devices changes a resistance value according to the change in temperature the presence of a temperature sensor installed inside the charge management block, and therefore the safety devices may function to intercept the charging if the temperature exceeds the previously set temperature. Also, the safety devices of the charging battery-pack **200** protect a battery from overcurrent, overvoltage, overdischarge, short circuit, etc. using the protection block, so called PCM, and also protect the charging battery-pack **200** the rechargeable battery **230**, and their circuits since they are shut down by the overcurrent and temperature using PTC or bimetal. And, the safety devices of the charging battery-pack **200** may include a mechanism that transmits an erroneous signal to the non-contact charger **1** through the load regulation if an erroneous operation in the safety devices is caused for ID chips installed in the charging battery-pack **200**

and other many chips during the charging, and then receives a signal from the non-contact charger **1** through FSK and switches the non-contact charger **1** off to suspend a power supply.

And, this charging battery-pack **200** is integrally formed along with the mobile device **300** since it is arranged inside the mobile device **300**, as shown in FIG. **5** to FIG. **9**, or may be separately formed to facilitate its detachment and attachment. Accordingly, the mobile device **300** may include a power reception device block **310** electrically contacted with the device block **240** of the charging battery-pack **200** to receive an electric power; a DC/DC converter **320** coupled to the power reception device block **310** to convert an electric power; and a charge block **330** for charging the electric power converted in the DC/DC converter **320**.

In general, the above-mentioned non-contact transformer according to the present invention has disadvantages that it has a relatively lower self inductance than the conventional transformers since it has large pores unlike the conventional transformers, and that a circulating current flows according to the change in load if the conventional serial resonant converter is used in the non-contact transformer since it has a relatively larger leakage inductance. In addition, the non-contact transformer according to the present invention has a problem that a switching loss may be caused by the continuous current flow in secondary rectifier diodes, depending on the reverse recovery characteristics of the diodes. However, in order to solve the problems, the non-contact transformer according to the present invention has advantages that its circulating current flow may be significantly lower than if the conventional serial resonant converter is used in the non-contact transformer since a LLC full-bridge serial resonator converter **50** for a non-contact transformer may operate at a lower switching frequency than a resonance frequency, and that a switching loss of the diodes may be reduced since a discontinuous current flows in the secondary rectifier diodes.

Also, the primary coil **70** and the secondary coil **80** are composed of any one of FPCB, PCB, coil and ferrite core of the detachable transformer, and formed in a flat or cylindrical shape of a circle, tetragon or polygon to facilitate the signal transmission.

The preferred production embodiment of the non-contact charging battery-pack **200** according to the present invention will be described with reference to FIG. **5** to FIG. **9**, as follows. That is to say, FIG. **5** is a diagram showing a charging battery-pack **200** composed of all-in-one hard packs, and FIG. **6** is a circuit view showing one preferred embodiment of a charging battery-pack installed inside the mobile device **300**.

That is to say, the charging battery-pack **200** composed of the all-in-one hard packs includes a secondary coil and a magnetic field shield, a rectification block, a charge management block (a switching or linear charging circuit), a wireless communication ID detection block, a protection block, and a battery. That is to say, the charging battery-pack **200** is composed of a secondary coil (including a coil or core) **80**; a rectification block **81**; a charger controller **210** which is an adapter control block having a port installed inside, the port being able to enable or disable LDO+ID (TX, RX communication)+an FET drive+a battery charging input (Empty, Full signal) function+an oscillator+a charge management block; a protection control module (PCM) **222**; a PTC and a rechargeable battery **230**; a charge management block **220**; a device block **240** which is a device coupled to a mobile phone, etc.

In the case of the embedded charging battery-pack **200**, a case cover of the mobile device **300** has a secondary coil a magnetic field shield (using a method for ejection-molding a

coil on a cover, or manufacturing a protective case and subjecting the case to an ultrasonic welding process), and produces a device, which can be coupled to the mobile device **300**, to incorporate a rectification block and a wireless ID detection block into the embedded block of the mobile device **300** coupled through the device, and then the charging battery-pack **200** is charged with an electric power through the device coupled of the battery pack installed inside by employing the DC/DC converter **320** and the charge block **330** installed inside the mobile device **300**.

Also, still another configuration of the charging battery-pack **200** installed inside the mobile device **300** includes a secondary coil and a magnetic field shield; a rectification block; a wireless communication ID detection block; a protection block; a battery, and the like, all of which are installed inside the case cover of the mobile device **300** without its being melt-adhered to the case cover, and produces the mobile device **300** and a connection device such as a rectification block output, grounding, two battery poles, a charging pin, and then the charging battery-pack **200** is charged with an electric power through the device coupled of the battery by employing the DC/DC converter **320** and the charge block **330** installed inside the mobile device **300**.

Blocks for this embedded charging battery-pack **200**, which is a non-contact charging semi-inner pack applicable to the mobile device **300**, may include a secondary coil (including a coil or core) **80**; a rectification block **81**; a charger controller **210** which is an adapter control block having a port installed inside, the port being able to enable or disable LDO+ID (TX, RX communication)+an FET drive+a battery charging input (Empty, Full signal) function+an oscillator+a charge management block; a protection control module (PCM) **222**; a PTC and a rechargeable battery **230**; a DC/DC converter **320** installed inside the mobile device **300** as a GSM mobile phone; and a charge block **330** installed inside the mobile device **300** as a GSM mobile phone, as shown in FIG. 6. At this time, the mobile device **300** as the GSM mobile phone refers to a mobile device (for example, a GSM mobile phone) having a DC/DC converter **320** and a charge block **330** installed in the device.

As a result, if the mobile device **300** as the GSM mobile phone having a non-contact charging semi-inner pack, that is, a charging battery-pack **200** installed inside is mounted on the non-contact charger **1**, an electric power is generated in the non-contact charger **1** and transmitted to the charging battery-pack **200** through the secondary coil **80**.

Therefore, a secondary side as the charging battery-pack **200** receives AC current from the secondary coil **80** and rectifies the AC current in the rectification block **81** to convert the rectified AC current into DC current, and generates a power save code for reducing an electric power in the non-contact charger **1** and transfers the generated power save code through a TXD pin if its voltage exceeds stable voltage (for example, 5.5 V), and then by adjusting a voltage of the secondary side to the stable voltage (for example, 5.5 V) using a parameter (frequency). This procedure is repeated to generate ID for a stable voltage (for example, 5 V) if a voltage of the secondary side as the charging battery-pack **200** becomes the stable voltage (for example, 5 V) which is an optimum voltage condition, and to generate an electric power in the non-contact charger **1** if the ID of the non-contact charger **1** is matched. If the ID of the non-contact charger **1** is not matched, a power supply is shut down and under a sleep mode in the non-contact charger **1**, or an error is caused to shut down a power supply since there is no data reception information for the unique ID when foreign substance is put on the non-contact charger **1**.

FIG. 7 to FIG. 9 show exploded perspective views according to various preferred embodiments of the charging battery-pack **200**.

First, referring to a configuration of the charging battery-pack **200** according to the first embodiment as shown in FIG. 7, the charging battery-pack **200** includes an A/S label **411**, a top case **412**, a non-contact charging PCB board **413**, a (-)Ni-plate **414**, a PTC or bimetal **415**, a lead wire **416**, a (+)Ni-plate **417**, an auxiliary case **418**, a Nomax tape **419**, a rectifier board **420**, a battery cell **421**, a secondary coil **422**, a bottom case **423**, and a label **424**. That is to say, this is one embodiment that the rectifier board **420** is arranged on the top.

Next, FIG. 8 shows an assembly view (top arrangement of a circuit board) of a non-contact charging and internal battery pack according to the second embodiment. Here, the non-contact charging and internal battery pack includes an A/S label **431**, a top case **432**, a non-contact charging PCB board **433**, a (-)Ni-plate **434**, a PTC or bimetal **435**, a lead wire **436**, a (+)Ni-plate **437**, an auxiliary case (able to be filled in a hot melt manner) **438**, a Nomax tape **439**, a connector board **440**, a battery cell **441**, a secondary coil **442**, a bottom case **443**, and a label **444**.

And, FIG. 9 shows an assembly view (side arrangement of a circuit board) of a non-contact charging and internal battery pack according to the third embodiment. Here, the non-contact charging and internal battery pack includes an A/S label **451**, a top case **452**, a non-contact charging PCB board **453**, a (-)Ni-plate **454**, a PTC or bimetal **455**, a lead wire **456**, a (+)Ni-plate **457**, an auxiliary case (able to be filled in a hot melt manner) **458**, a Nomax tape **459**, a connector board **460**, a battery cell **461**, a secondary coil **462**, a bottom case **463**, and a label **464**.

The battery pack as configured thus has a shield member for shielding a magnetic field having a schematic structure as shown in FIG. 10. Erroneous operations and overheating in the battery cells and the charging blocks are prevented due to the presence of such a shield member. That is to say, the battery cells **421**, **441**, **461** as shown in FIG. 7 to FIG. 9 may be configured as in the configuration of the battery cell **512** having the shield member schematically shown in FIG. 10.

That is to say, FIG. 10 is a block diagram showing a charging battery-pack **200** having a wireless power receiver module. Here, the charging battery-pack **200** composed of coils, fine metals, thin aluminum films (foils, etc.), lithium ions or lithium polymers is configured so that a thin aluminum film can be put into the charging battery-pack **200** to completely intercept a magnetic field, and the charging battery-pack **200** can be charged/discharged at about 500 cell cycles without adversely affecting the cells. Here, the coil includes all shapes of coils. That is to say, the coil may be formed in various shapes such as tetragonal, circular or oval shapes, etc. Therefore, the charging battery-pack **200** having a wireless power receiver module may include wireless power receiver circuits arranged in one side of the battery cell **512** in a vertical or horizontal direction; and a shield member **501** for shielding a magnetic field surrounding the wireless power receiver circuits **513**.

And, the charging battery-pack **200** composed of coils, fine metals, thin aluminum films (foil, etc.), lithium ions or lithium polymers includes a shield plate **515** for completely shielding a magnetic field. The shield member **501** and the shield plate **515** are formed of thin plates which comprises Al, Cu, Ni Alloy metals, etc. Also, the battery cell **512** has the same configuration as the shield plate **515**. Accordingly, the battery cell **512** includes shield plates **515-1**, **515-2**, **515-3**, **515-4**, all of which are arranged in the front, rear, left and right sides in the center of the battery cell **512**, and therefore it is

configured to protect the battery cell **512** from the magnetic field. A magnetic plate **503** is provided between the shield plate **515** and the charge receiver module **517** into which the secondary coil **516** is wound, and therefore it has a magnetic body having a high transmissivity so that the magnetic field induced from the primary coil is easily induced into the secondary coil **516**. This magnetic plate **503** is composed of ferrites, Mn—Zn (50 parts by weight:50 parts by weight), or Ni—Fe (80 parts by weight:20 parts by weight), or manufactured by employing Fe as a main component in fine metals (Fe—Si—Cu—Nb), and adding Si and B, and a trace of Cu and Nb at a high temperature and quenching and solidifying the resulting mixture below 100° C.

And, an insulating board **502** as an insulator is provided between the shield plate **515** and the battery cell **512**, and particularly the insulating board **502** is composed of meshes composed of Ni—Cu; or insulators capable of emitting the heat and decreasing its heat conduction, thereby to prevent the increase in temperature of the battery cell **512** and the overheating of the battery cell **512**. Accordingly, the charging battery-pack **200** can be charged/discharged at about 500 cell cycles since it is coupled to the charge receiver module **517** so as to prevent the temperature and the magnetic field from adversely affecting the battery cells **512**. At this time, the coils may be formed in all possible shapes. Reference numeral **511** (not shown) represents a (−) device, and Reference numeral **514** (not shown) represents (+) device, and Reference numeral **516** (not shown) represents a coil.

The non-contact charger **1** according to the preferred embodiment of the above-mentioned charging battery-pack **200** also has a primary coil **70** formed on the top surface of the device body **2** having an enclosed shape, and may constitute the primary coils **70** in the form of coils or cores which are formed in spirally circular, tetragonal or polygonal shapes. As described above, if the mobile device **300** having the charging battery-pack **200** or the charging battery-pack **200** arranged inside is put on the non-contact charger **1** composed of the primary coils **70**, the mobile device **300** is configured so that it can supply data for transceiver and an electric power for power supply to the computer or notebook computer while it is coupled to the computer or notebook computer.

Although exemplary embodiments of the present invention have been shown and described, it would be appreciated by those skilled in the art that changes might be made in these embodiments without departing from the principles and spirit of the invention, the scope of which is defined in the claims and their equivalents.

The invention claimed is:

- 1.** A non-contact charger comprising:
  - a connector configured to connect to a communication port of a computer and configured to receive a power signal and a data signal from the computer when the connector is connected to the communication port;
  - a communication driver coupled to the connector and configured to generate an input data based on the data signal received from the computer;
  - a converter configured to convert the input data generated by the communication driver to a transmission signal to wirelessly transmit the input data to a target object; and
  - a primary coil configured to generate an induced electromotive force based on the transmission signal to wirelessly transmit the input data to the target object along with an input power signal for the target object.
- 2.** The non-contact charger according to claim **1**, wherein the input power signal comprises a power source for the target object.

**3.** The non-contact charger according to claim **1**, wherein the connector comprises a USB connector.

**4.** The non-contact charger according to claim **1**, wherein the power signal received from the computer comprises a power source for the non-contact charger.

**5.** The non-contact charger according to claim **1**, wherein the communication driver is configured to convert the data signal received from the computer to an IrDA signal.

**6.** The non-contact charger according to claim **5**, further comprising an IrDA port for transmitting the converted IrDA signal to the target object.

**7.** The non-contact charger according to claim **1**, wherein the target object comprises a mobile device.

**8.** A non-contact charger comprising:
 

- a connector configured to connect to a communication port of a computer and configured to receive a power signal and a data signal from the computer when the connector is connected to the communication port;
- a communication driver coupled to the connector and configured to convert the data signal to an IrDA signal;
- an IrDA port for wirelessly transmitting the converted IrDA signal to a target object; and
- a primary coil configured to generate an induced electromotive force based on the power signal and wirelessly transmit the power signal to the target object.

**9.** The non-contact charger according to claim **8**, wherein the connector comprises a USB connector.

**10.** The non-contact charger according to claim **8**, wherein the power signal received from the computer comprises a power source for the non-contact charger.

**11.** The non-contact charger according to claim **8**, wherein the target object comprises a mobile device.

**12.** A non-contact charger comprising:
 

- a primary coil configured to generate an electric power signal and transmit the generated electric power signal to an external unit, the primary coil being configured to receive an electromotive force generated by the external unit and generate an inductive current in response to the electromotive force; and
- a current sensor configured to monitor the inductive current generated by the primary coil to obtain identification information of the external unit,

wherein the current sensor is configured to control the transmission of the generated electric power signal to the external unit based on the identification information.

**13.** The non-contact charger according to claim **12**, wherein the identification information comprises an optimum voltage condition of the external unit.

**14.** The non-contact charger according to claim **12**, wherein the identification information comprises a power saver code for reducing an electric power in the non-contact charger.

**15.** The non-contact charger according to claim **12**, wherein the current sensor is configured to adjust the electric power signal generated in the primary coil based on the identification information.

**16.** The non-contact charger according to claim **12**, wherein the current sensor is configured to adjust a frequency of the electric power signal based on the identification information.

**17.** The non-contact charger according to claim **12**, wherein the current sensor generates PWM pulses having a constant interval in the primary coil.

**18.** The non-contact charger according to claim **12**, wherein the current sensor determines whether the identification information contains a predetermined signal unique to the external unit.

19. The non-contact charger according to claim 18, wherein, when the current sensor determines that the identification information contains the predetermined signal, the primary coil wirelessly transmits the electric power signal to the external unit.

20. The non-contact charger according to claim 18, wherein, when the current sensor determines that the identification information does not contain the predetermined signal or fails to receive the identification information, the primary coil disables transmission of the electric power signal to the external unit.

21. A battery pack comprising:

a rechargeable battery cell;

a charger body comprising an induction coil and configured to receive a power signal through a magnetic field induced by the induction coil;

a charger controller coupled to the induction coil to process the power signal and transmit the processed power signal to the battery cell; and

a shielding member disposed between a surface of the battery cell and the induction coil, wherein the shielding member comprises a board in the form of a mesh comprising Ni—Cu compound.

22. The battery pack according to claim 21, wherein the shielding member further comprises a plate made of a metal alloy comprising Al, Cu, and Ni.

23. The battery pack according to claim 21, wherein the shielding member insulates the battery cell from the induction coil.

24. A method for wirelessly charging an object comprising: connecting a non-contact charger to a communication port of a computer and receiving a power signal and a data signal from the computer;

generating an input data based on the data signal received from the computer;

converting the generated input data to a transmission signal to wirelessly transmit the input data to a target object; and

generating an induced electromotive force in an induction coil based on the transmission signal to wirelessly transmit the input data to the target object along with an input power signal for the target object.

25. The method according to claim 24, wherein the input power signal comprises a power source for the target object.

26. The method according to claim 24, wherein connecting the non-contact charger to the communication port comprises connecting through a USB connector.

27. The method according to claim 24, wherein the power signal comprises a power source for the non-contact charger.

28. The method according to claim 27, further comprising converting the data signal received from the computer to an IrDA signal and transmitting the IrDA signal to the target object.

29. A method for wirelessly charging an object comprising: connecting a non-contact charger to a communication port of a computer and receiving a power signal and a data signal from the computer;

generating an induced electromotive force in an induction coil based on the power signal and wirelessly transmit the power signal to a target object;

converting the data signal to an IrDA signal; and wirelessly transmitting the converted IrDA signal to the target object.

30. The method according to claim 29, wherein connecting the non-contact charger to the communication port comprises connecting through a USB connector.

31. The method according to claim 29, wherein the power signal comprises a power source for the non-contact charger.

32. A method for wirelessly charging an external unit, comprising:

generating an electric power signal in a primary coil and transmitting the generated electric power signal to an external unit;

receiving an electromotive force generated by the external unit;

generating an inductive current in the primary coil in response to the electromotive force;

monitoring the inductive current in the primary coil to obtain identification information of the external unit; and

controlling the transmission of the generated electric power signal from the primary coil to the external unit based on the identification information.

33. The method according to claim 32, wherein the identification information comprises an optimum voltage condition of the external unit.

34. The method according to claim 32, wherein the identification information comprises a power saver code for reducing an electric power in the non-contact charger.

35. The method according to claim 32, wherein controlling the transmission of the generated electric power signal comprises adjusting the electric power signal generated in the primary coil based on the identification information.

36. The method according to claim 35, wherein adjusting the electric power signal comprises adjusting a frequency of the electric power signal based on the identification information.

37. The method according to claim 32, wherein controlling the transmission of the generated electric power signal comprises generating PWM pulses having a constant interval in the primary coil.

38. The method according to claim 32, further comprising determining whether the identification information contains a predetermined signal unique to the external unit.

39. The method according to claim 38, further comprising disabling the transmission of the electric power signal to the external unit if the current sensor determines that the identification information does not contain the predetermined signal or fails to receive the identification information.

40. A method of shielding a battery cell in a battery pack, wherein the battery pack comprises a rechargeable battery cell and an induction coil configured to receive a power signal through a magnetic field induced by the induction coil, the method comprising:

shielding a surface of the battery cell from the induction coil by providing a shielding member disposed between the surface of the battery cell and the induction coil, wherein the shielding member comprises a board in the form of a mesh comprising Ni—Cu compound.

41. The method according to claim 40, wherein the shielding member further comprises a plate made of a metal alloy comprising Al, Cu, and Ni.

42. The method according to claim 40, wherein the shielding member insulates the battery cell from the induction coil.

43. A non-contact charger comprising:

a resonant converter which makes a current into a half wave or full wave to transmit an electric power to a secondary coil of a device;

a primary coil which transmits an ID check signal and transmits the electric power to the secondary coil by means of inductive coupling for charging; and

## 21

a current sensing block which detects at least one of the device and a foreign substance based on a detected signal which is received in response to the ID check signal,

wherein based on a power curve, the electric power falls 5  
down along with the charging,

wherein the power curve includes a hysteresis period and the current sensing block detects the foreign substance if the detected signal goes beyond the hysteresis period.

44. The non-contact charger in accordance with claim 43, 10  
wherein the current sensing block detects the foreign substance if the detected signal is not a normal signal or if there is no response to the ID check signal.

45. The non-contact charger in accordance with claim 43, 15  
wherein the current sensing block detects the device if the detected signal is a unique ID of the device.

46. The non-contact charger in accordance with claim 43, wherein the primary coil transmits the ID check signal in a constant interval.

47. The non-contact charger in accordance with claim 43, 20  
wherein the ID check signal includes a PWM pulse.

48. The non-contact charger in accordance with claim 43, wherein the device includes a battery pack or a mobile device.

49. The non-contact charger in accordance with claim 43, 25  
wherein the primary coil transmits the ID check signal when the phase of the current is changed to a certain level due to approaching of the foreign substance.

50. A method of non-contact charging comprising:  
making a current into a half wave or full wave to transmit  
an electric power to a secondary coil of a device;

## 22

transmitting an ID check signal or the electric power to the secondary coil by means of inductive coupling for charging; and

detecting at least one of the device and a foreign substance based on a detected signal which is received in response to the ID check signal,

wherein based on a power curve, the electric power falls down along with the charging,

wherein the power curve includes a hysteresis period and the foreign substance is detected if the detected signal goes beyond the hysteresis period.

51. The method in accordance with claim 50, wherein the foreign substance is detected if the detected signal is not a normal signal or if there is no response to the ID check signal.

52. The method in accordance with claim 50, wherein the device is detected if the detected signal is a unique ID of the device.

53. The method in accordance with claim 50, wherein the ID check signal is transmitted in a constant interval.

54. The method in accordance with claim 50, wherein the ID check signal includes a PWM pulse.

55. The method in accordance with claim 50, wherein the device includes a battery pack or a mobile device.

56. The method in accordance with claim 50, wherein the ID check signal is transmitted when the phase of the current is changed to a certain level due to approaching of the foreign substance.

\* \* \* \* \*