



US00RE46084E

(19) **United States**
(12) **Reissued Patent**
Kroll

(10) **Patent Number:** **US RE46,084 E**
(45) **Date of Reissued Patent:** **Aug. 2, 2016**

(54) **CROSS-SHAPED DISPLAY STAND**
(71) Applicant: **William F. Kroll**, Boca Raton, FL (US)
(72) Inventor: **William F. Kroll**, Boca Raton, FL (US)
(21) Appl. No.: **29/528,376**
(22) Filed: **May 28, 2015**

(74) *Attorney, Agent, or Firm* — Mark D. Bowen; Malin Haley DiMaggio & Bowen, P.A.

(57) **CLAIM**
The ornamental design for a cross-shaped display stand, as shown and described.

Related U.S. Patent Documents

Reissue of:
(64) Patent No.: **Des. 659,432**
Issued: **May 15, 2012**
Appl. No.: **29/400,199**
Filed: **Aug. 24, 2011**
U.S. Applications:
(62) Division of application No. 29/463,817, filed on Mar. 12, 2014, now Pat. No. Re. 45,560, which is an application for the reissue of Pat. No. Des. 659,432.
(51) **LOC (10) Cl.** **06-04**
(52) **U.S. Cl.**
USPC **D6/674**
(58) **Field of Classification Search**
USPC D6/300–314, 674; D20/15; D11/157, D11/125, 122; D99/5, 23, 27; D26/4, 94
CPC A47G 33/00; A47G 33/02
See application file for complete search history.

DESCRIPTION

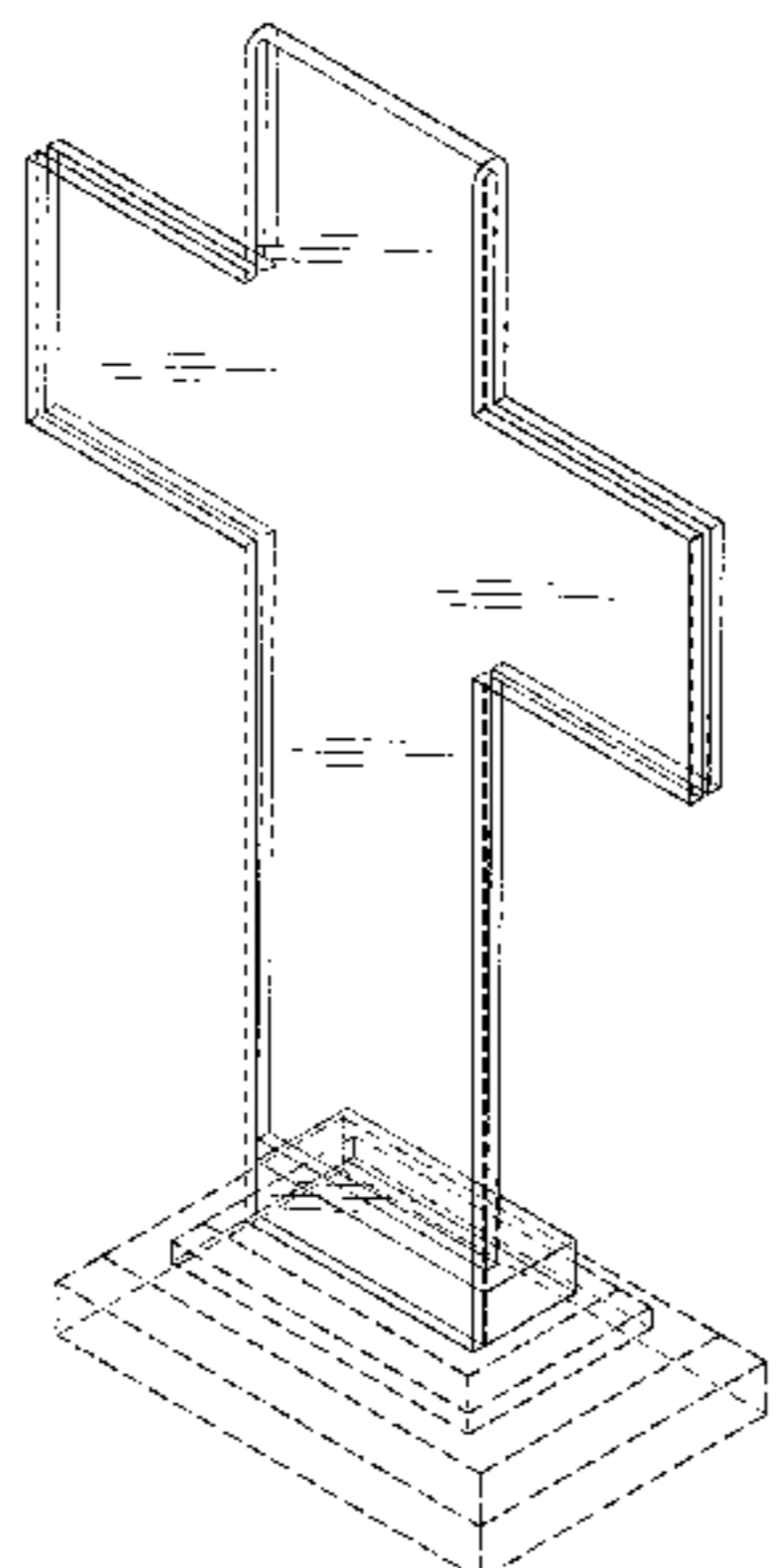
FIG. 1 is a front perspective view of a cross-shaped display stand in accordance with the present invention;
FIG. 2 is a bottom perspective view thereof;
FIG. 3 is a front *elevation* view thereof;
FIG. 4 is a rear *elevation* view thereof;
FIG. 5 is a side *elevation* view thereof, *with the opposing side elevation view being a mirror image*;
FIG. 6 is a top *plan* view thereof; [and,]
FIG. 7 is a bottom *plan* view thereof[.];
FIG. 8 is a front perspective view of another cross-shaped display stand in accordance with the present invention;
FIG. 9 is a rear bottom perspective view thereof;
FIG. 10 is a front elevation view thereof;
FIG. 11 is a rear elevation view thereof;
FIG. 12 is a side elevation view thereof, with the opposing side elevation view being a mirror image;
FIG. 13 is a top plan view thereof; and,
FIG. 14 is a bottom plan view thereof.
The dash-dash broken lines in FIGS. 1 through 14 depict portions of the cross shade display stand in which the design is embodied that are not considered part of the claimed design. The dot-dash broken lines in FIGS. 8 through 14 represent the boundaries between the claimed and non-claimed subject matter.

(56) **References Cited**
U.S. PATENT DOCUMENTS
D67,289 S 5/1925 Ladewich
D103,027 S * 2/1937 Slattery D99/27
D137,421 S * 3/1944 Rasmussen D99/23
D159,891 S * 8/1950 Chevalier D99/27
D160,900 S * 11/1950 Suhren D6/450
D168,686 S * 1/1953 Hunter D6/450
D256,398 S 8/1980 Mitchell
D338,081 S * 8/1993 Klaffer D26/94
D338,315 S 8/1993 Larson
5,255,170 A * 10/1993 Plamp A47G 33/02
362/121

1 Claim, 10 Drawing Sheets

Matter enclosed in heavy brackets [] appears in the original patent but forms no part of this reissue; matter printed in italics indicates the additions made by reissue.

(Continued)
Primary Examiner — Phillip S Hyder



US RE46,084 E

Page 2

(56)

References Cited

U.S. PATENT DOCUMENTS

D370,282 S *	5/1996	Grether	D11/122	D440,734 S *	4/2001	Berry	D99/23
D379,330 S *	5/1997	Krizan	D11/96	D443,970 S *	6/2001	Stucker	D99/27
D402,586 S *	12/1998	Johnson	D11/131	D481,223 S *	10/2003	Locker et al.	D6/470
D408,653 S *	4/1999	Dotson et al.	D6/450	D518,939 S *	4/2006	Borgerding	D99/5
D412,461 S *	8/1999	McGrew	D11/122	D578,275 S	10/2008	Shantz et al.		
6,082,880 A *	7/2000	Nerlino	A47G 33/02 362/121	D600,156 S *	9/2009	Gersh	D11/89
D429,351 S *	8/2000	Grether	D26/25	D618,135 S *	6/2010	Horst	D11/157
D431,206 S *	9/2000	Byers	D11/125	D619,926 S *	7/2010	Letney	D11/157
					D649,594 S *	11/2011	Yi et al.	D20/15
					D654,828 S	2/2012	Piric		
					D685,675 S	7/2013	Dubow		

* cited by examiner

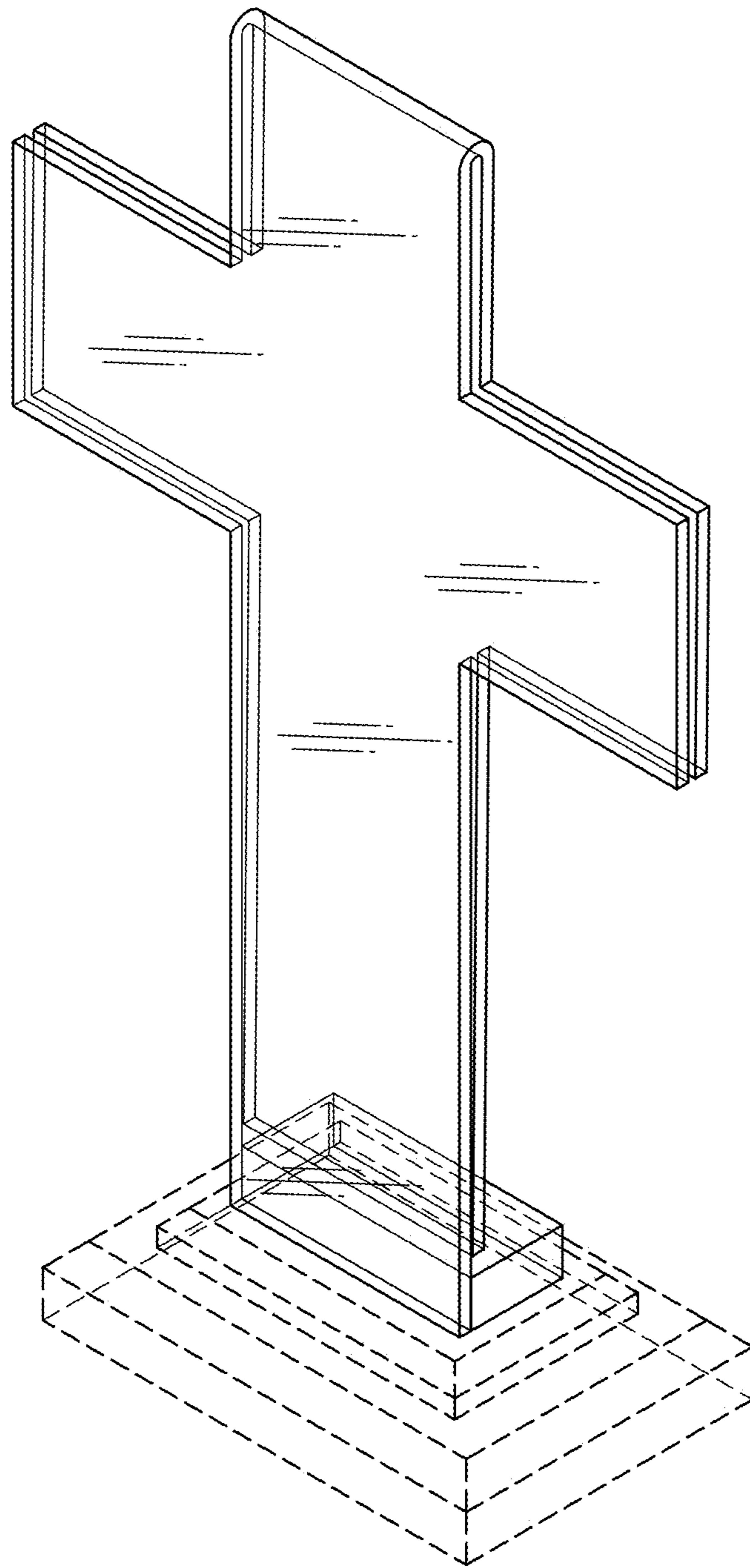


FIG. 1
(AMENDED)

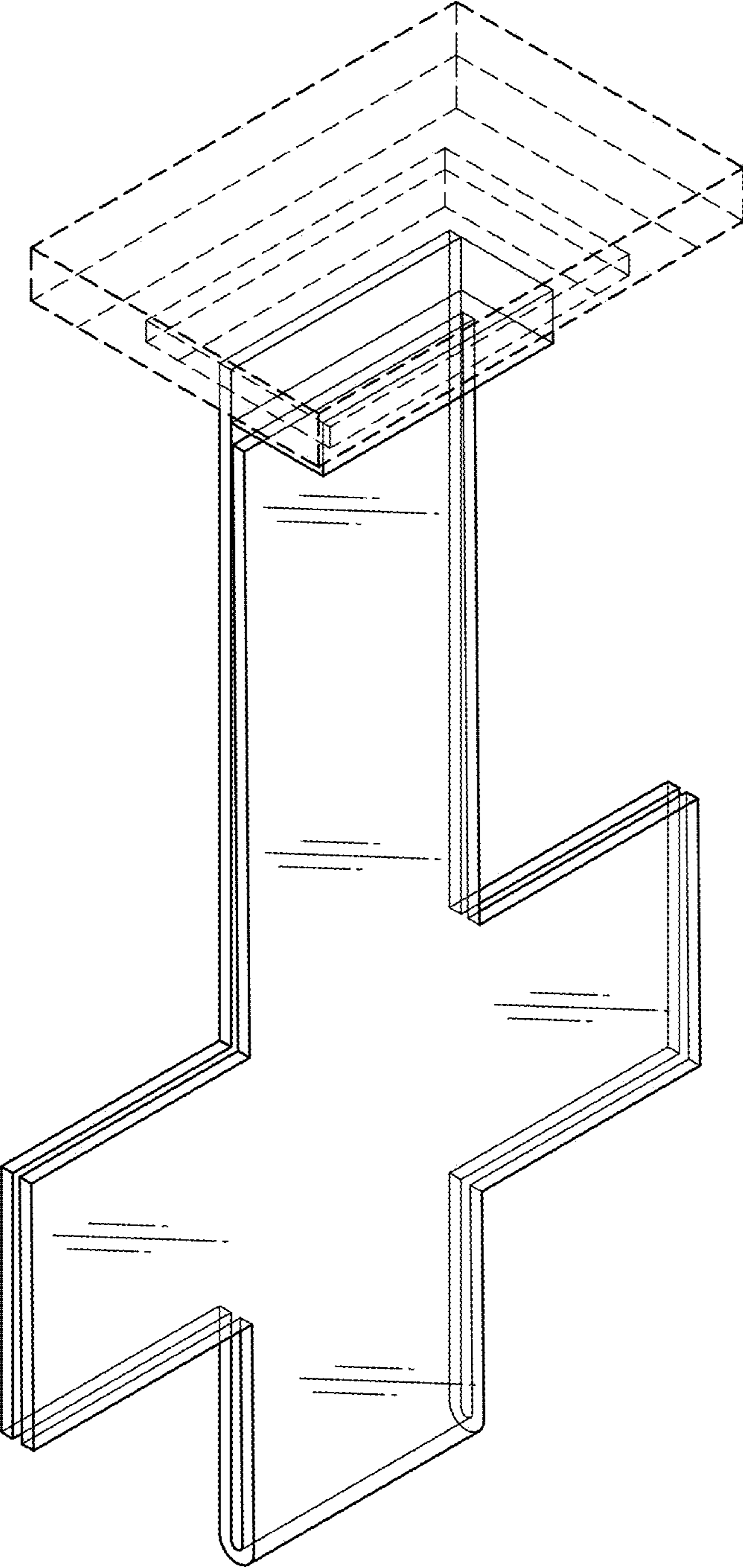


FIG. 2

(AMENDED)

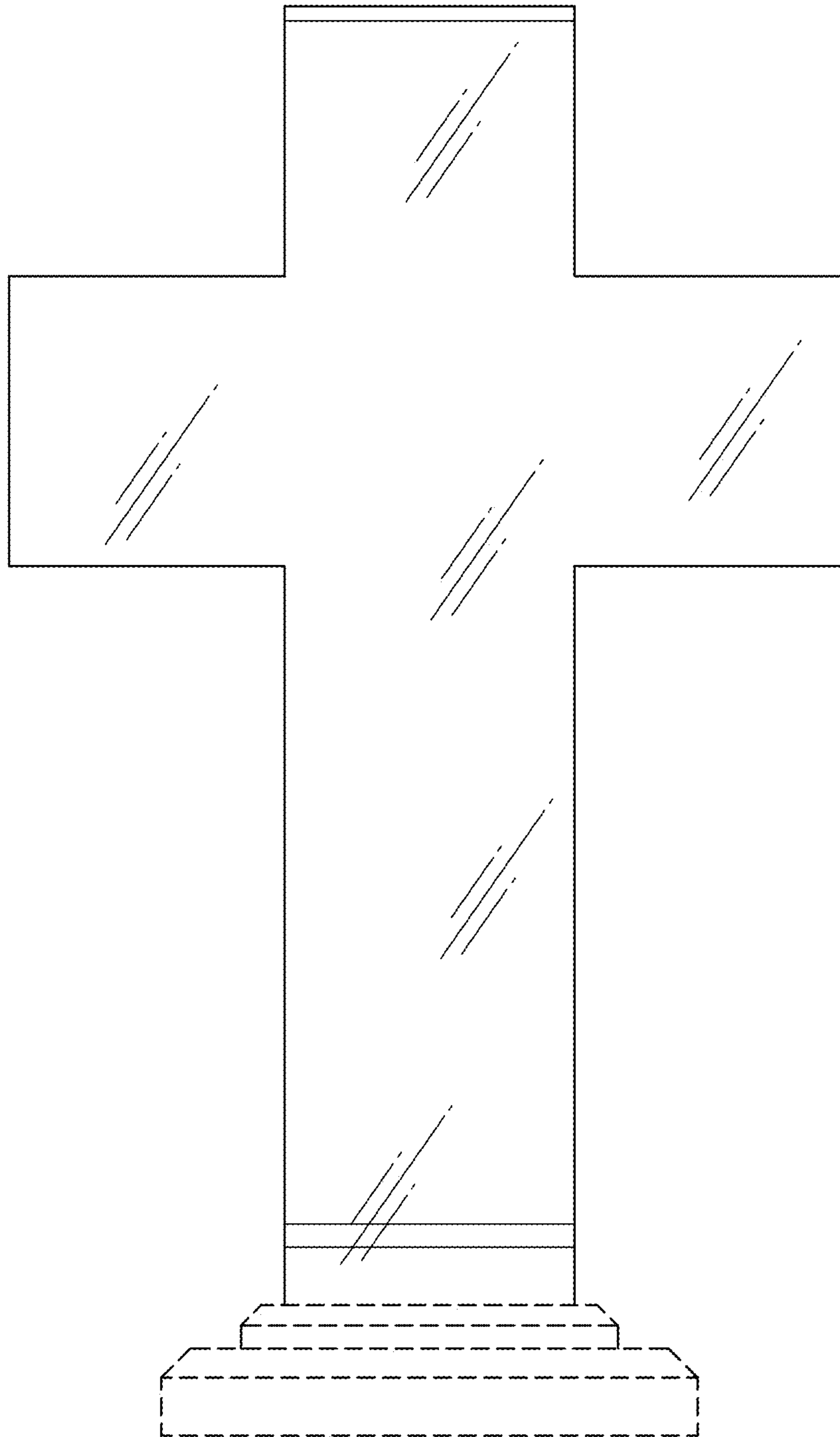


FIG. 3
(AMENDED)

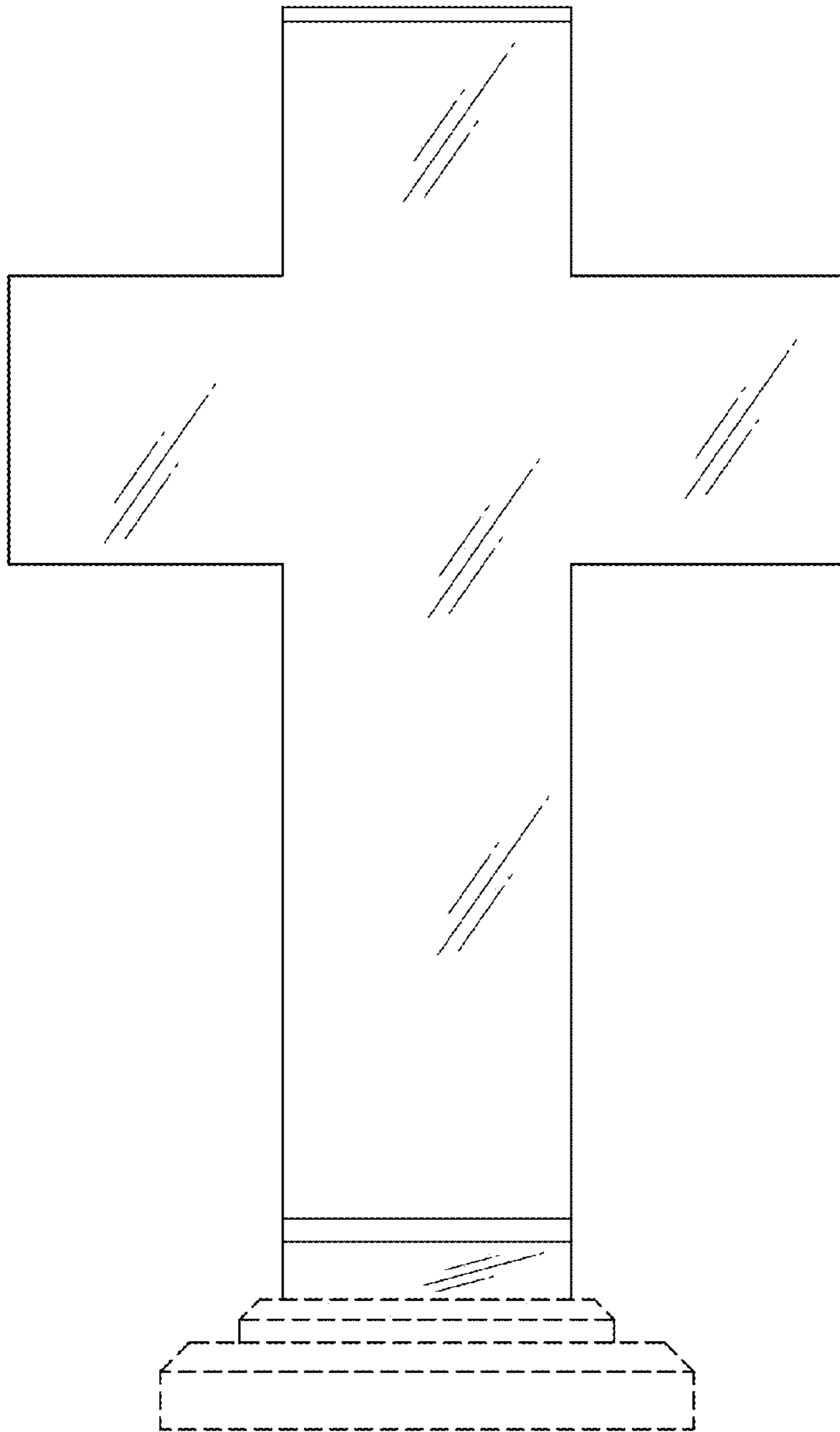


FIG. 4
(AMENDED)

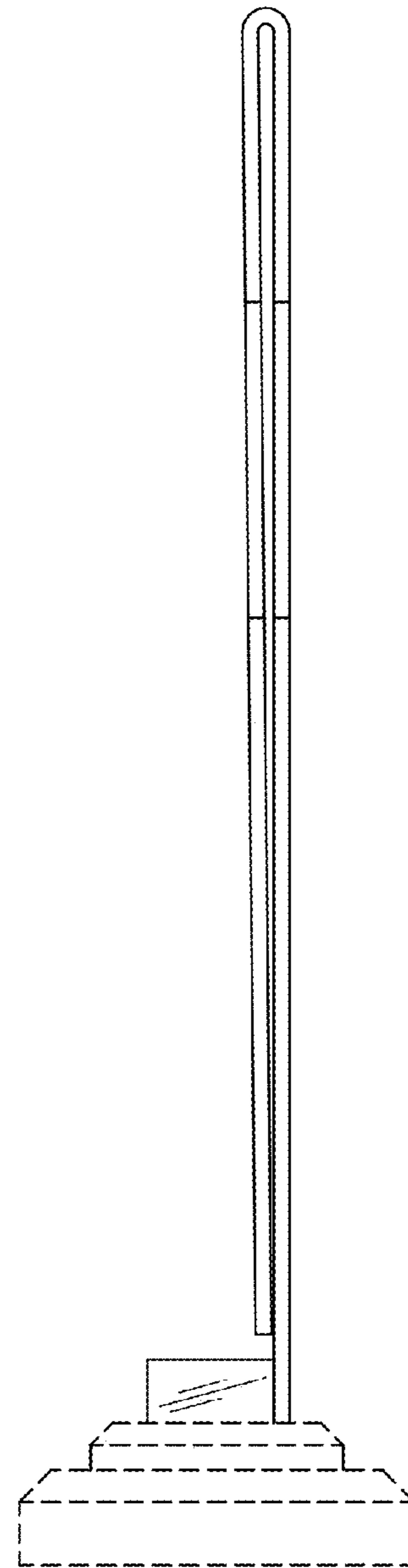


FIG. 5
(AMENDED)

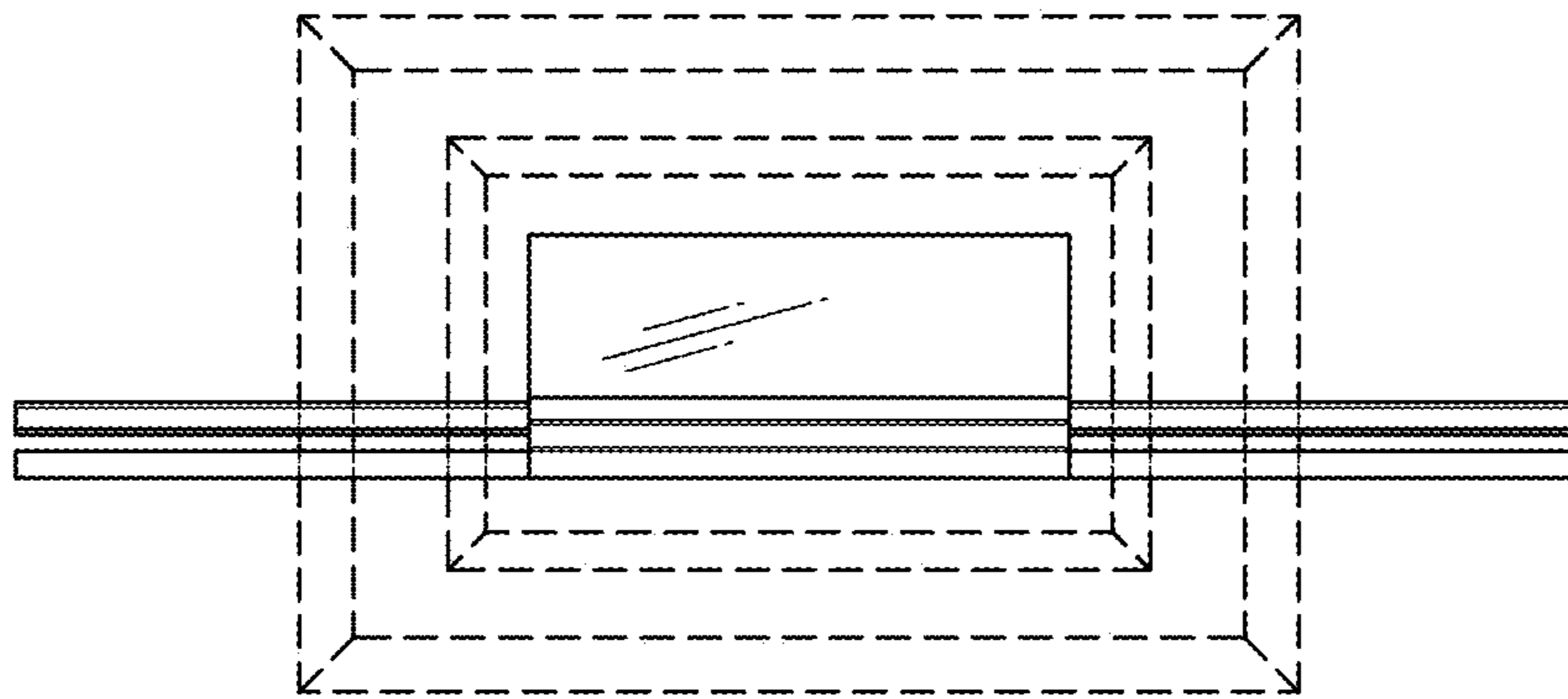


FIG. 6
(AMENDED)

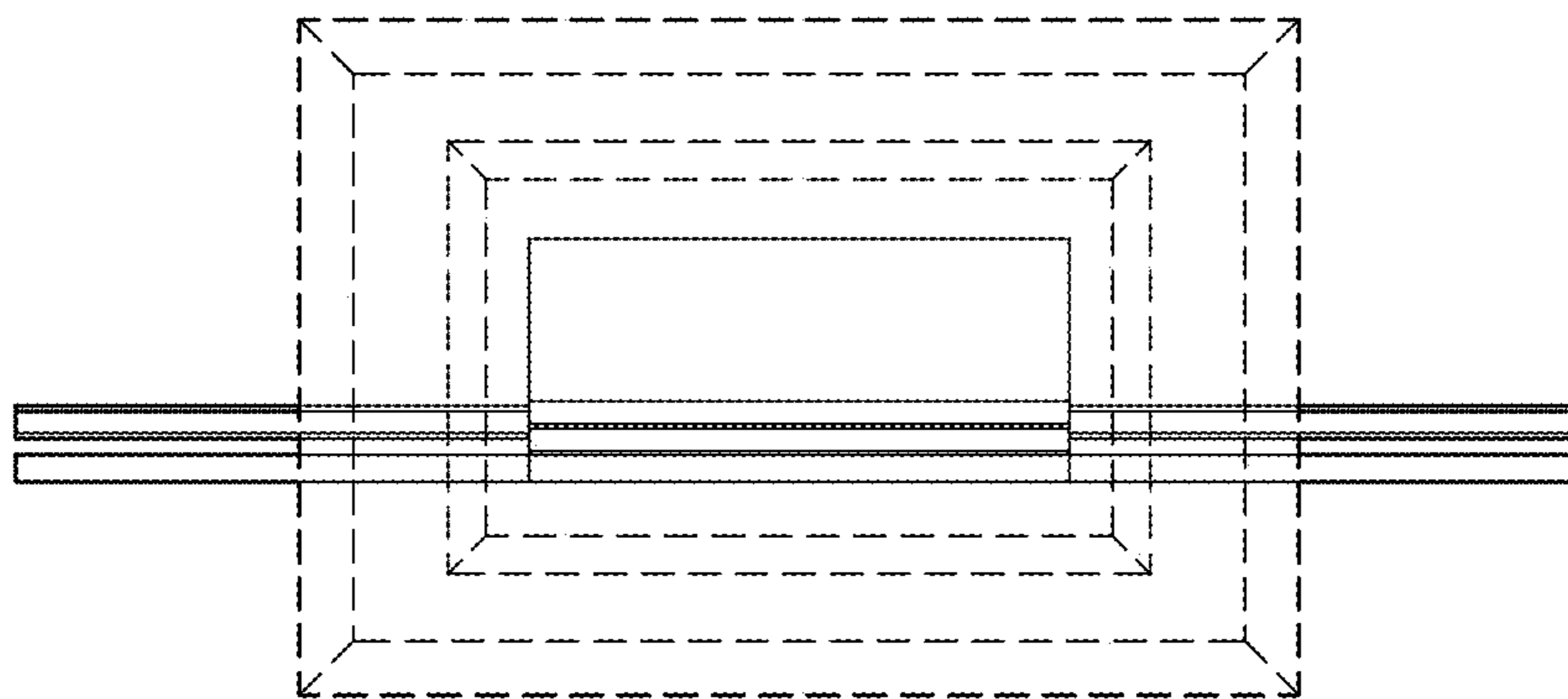


FIG. 7
(AMENDED)

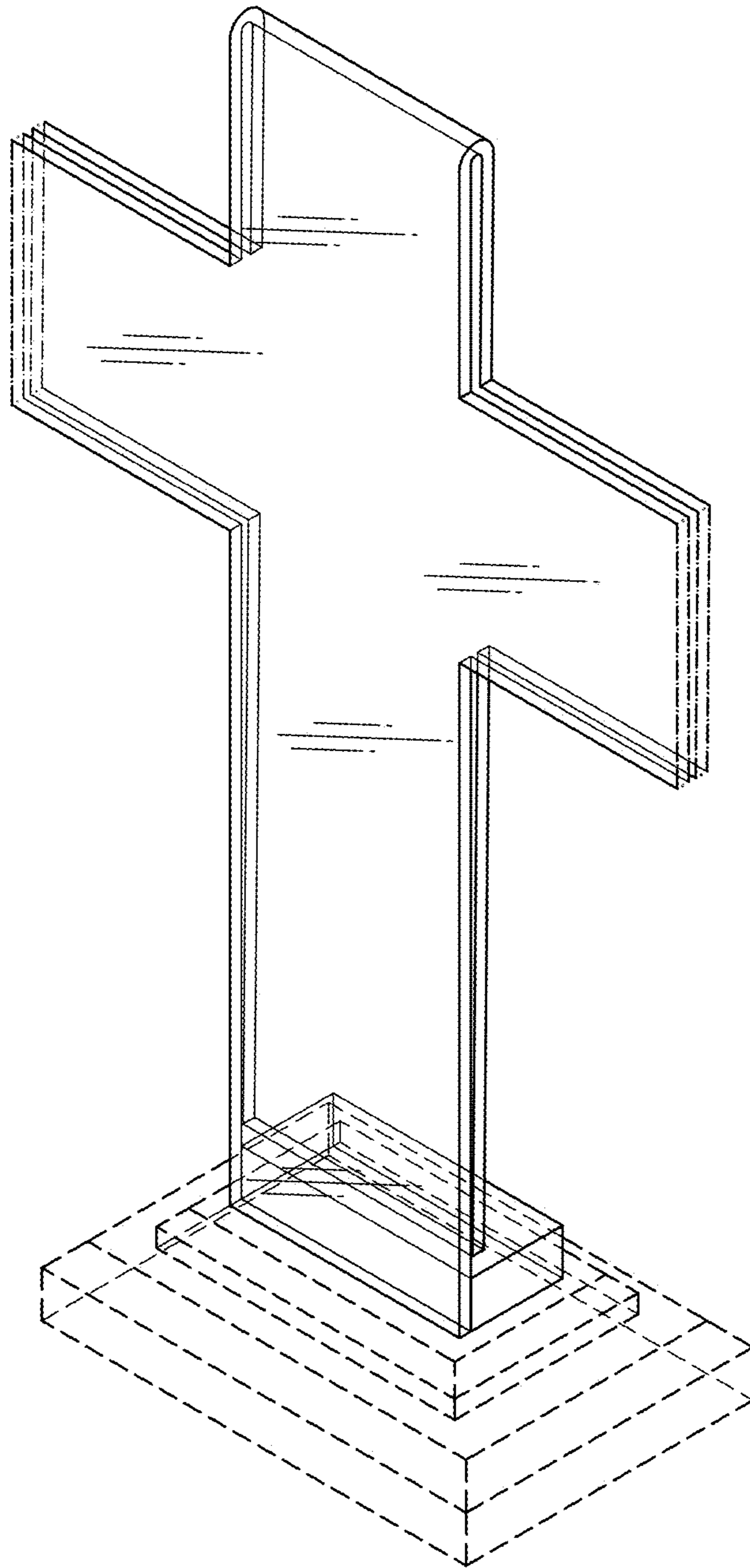


FIG. 8

(NEW)

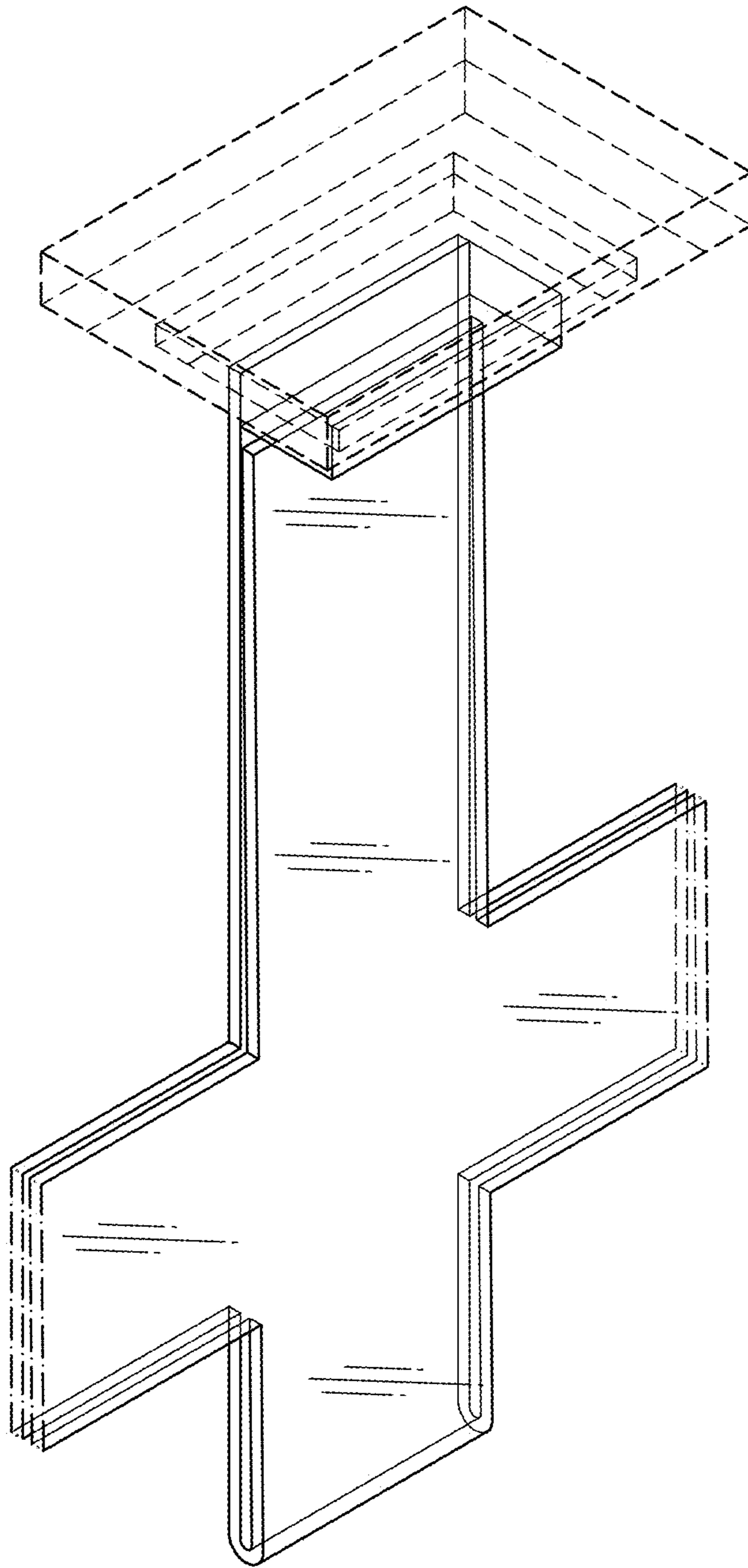


FIG. 9

(NEW)

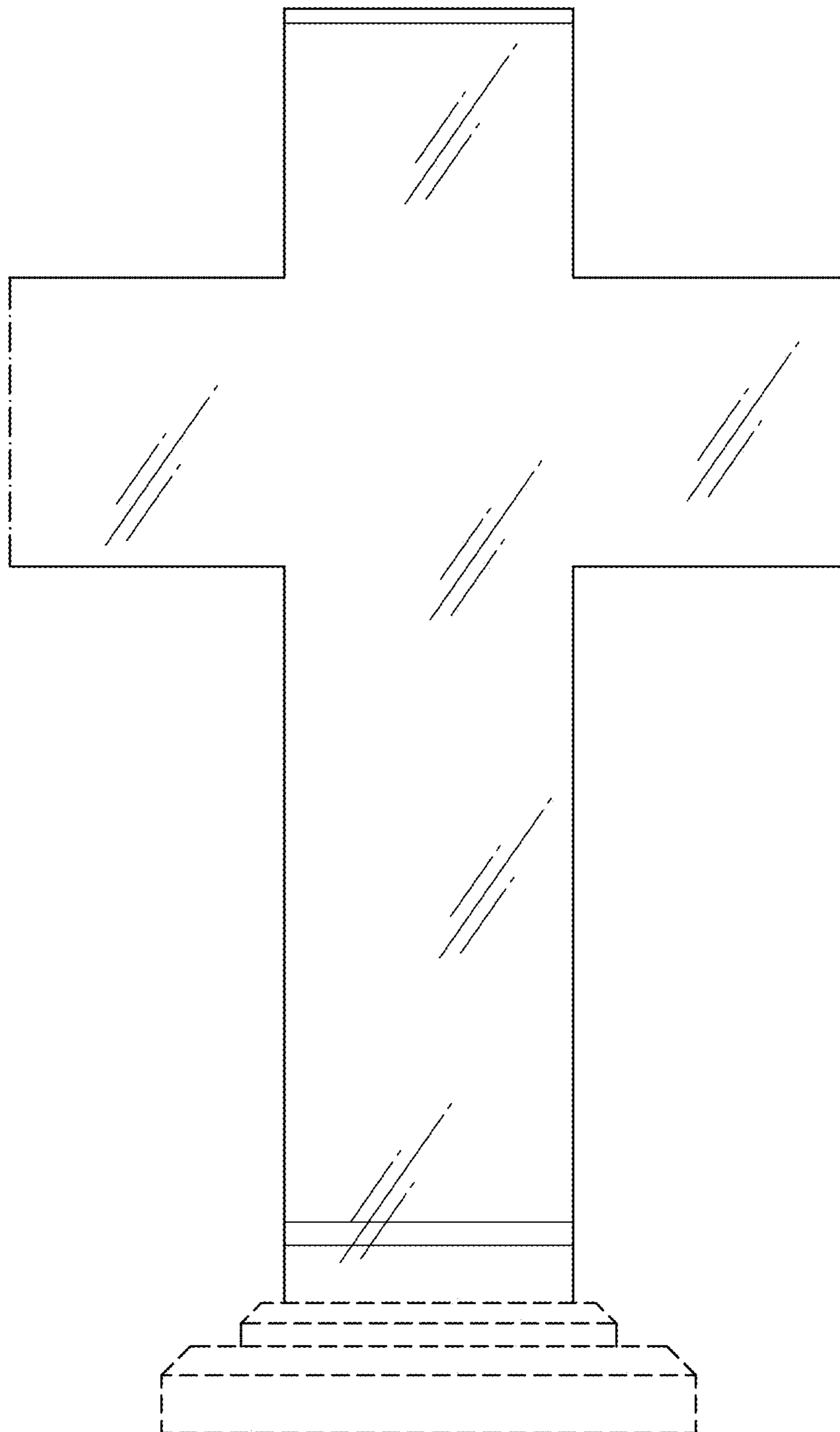


FIG. 10

(NEW)

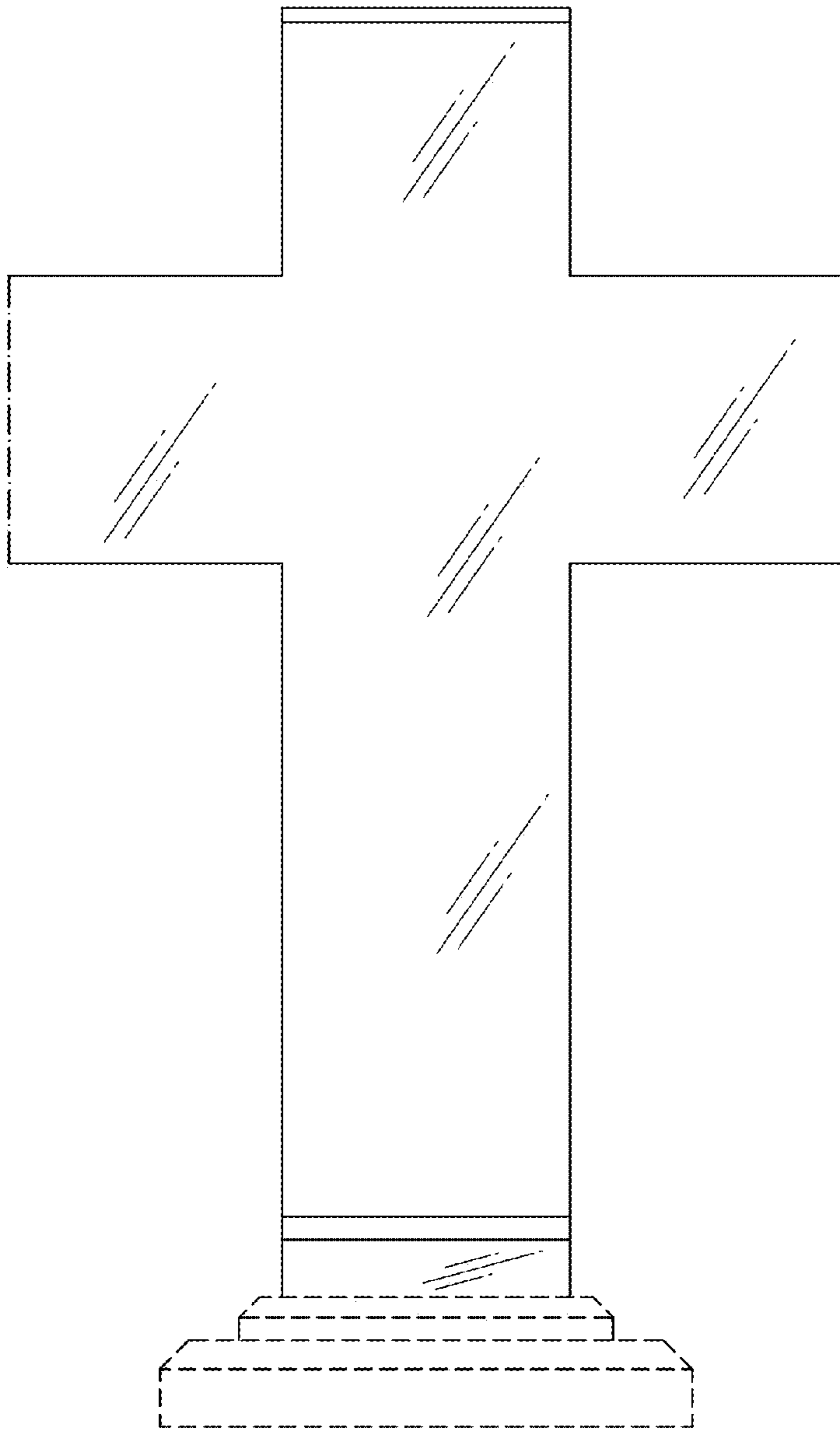


FIG. 11
(NEW)

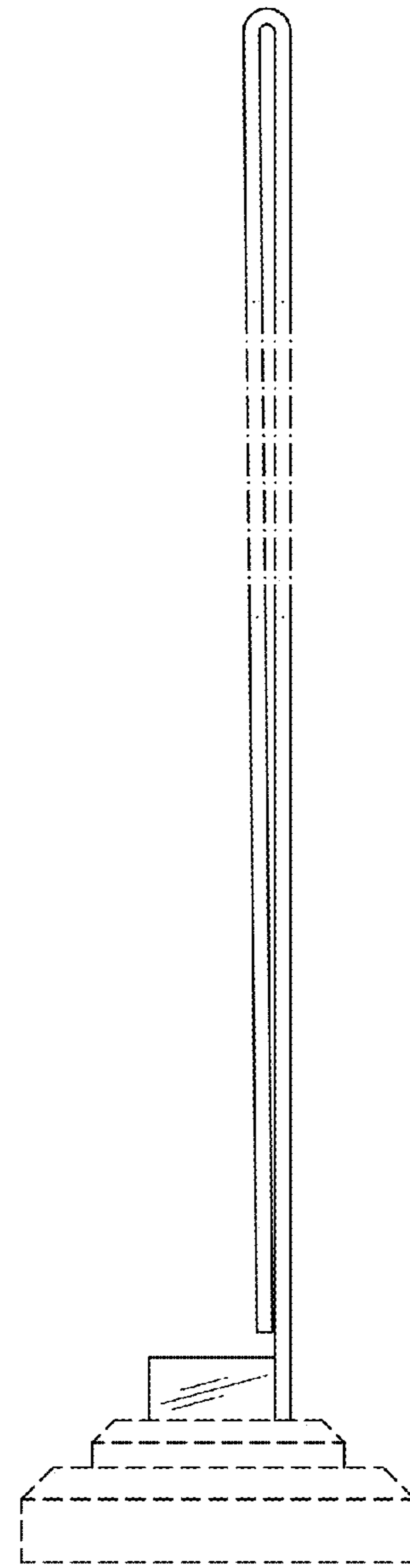


FIG. 12
(NEW)

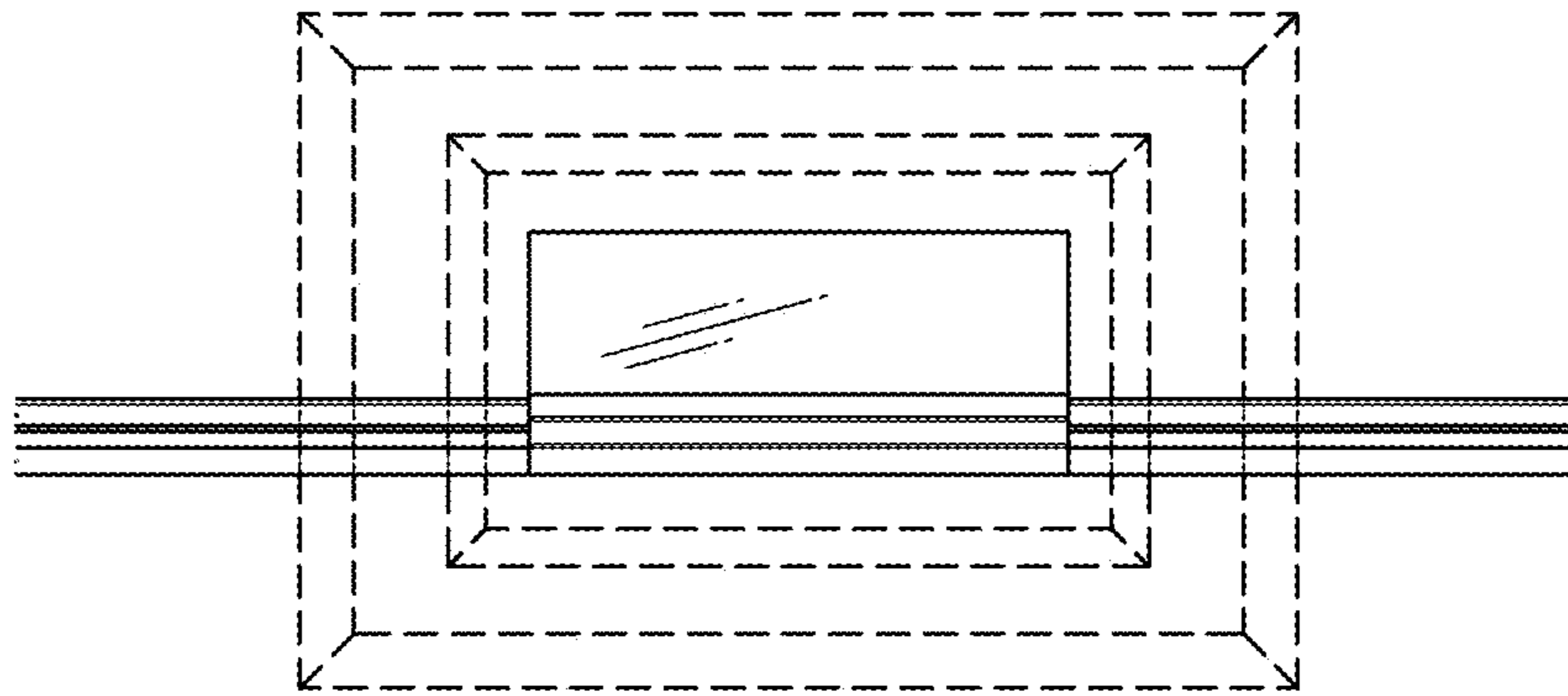


FIG. 13

(NEW)

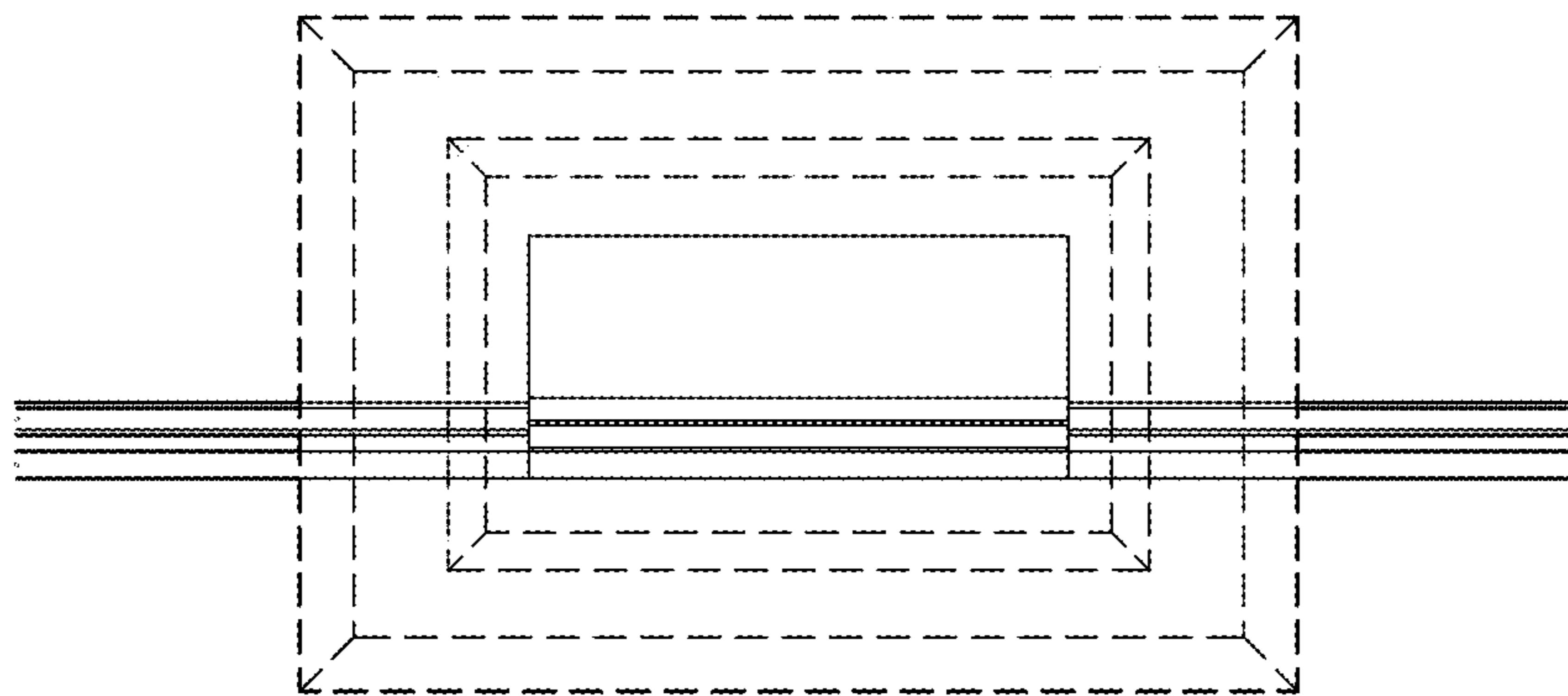


FIG. 14

(NEW)