

US00RE46061E

(19) **United States**  
(12) **Reissued Patent**  
**Kroll**

(10) **Patent Number:** **US RE46,061 E**  
(45) **Date of Reissued Patent:** **Jul. 12, 2016**

(54) **CROSS-SHAPED DISPLAY STAND**  
(71) Applicant: **William F. Kroll**, Boca Raton, FL (US)  
(72) Inventor: **William F. Kroll**, Boca Raton, FL (US)  
(21) Appl. No.: **29/528,408**  
(22) Filed: **May 28, 2015**

*Primary Examiner* — Phillip S Hyder  
(74) *Attorney, Agent, or Firm* — Mark D. Bowen; Malin Haley DiMaggio & Bowen, P.A.

(57) **CLAIM**  
The ornamental design for a cross-shaped display stand, as shown and described.

**Related U.S. Patent Documents**

Reissue of:

(64) Patent No.: **Des. 658,908**  
Issued: **May 8, 2012**  
Appl. No.: **29/400,201**  
Filed: **Aug. 24, 2011**

U.S. Applications:

(62) Division of application No. 29/463,816, filed on Mar. 12, 2014, now Pat. No. Re. 45,622, which is an application for the reissue of Pat. No. Des. 658,908.  
(51) **LOC (10) Cl.** ..... **06-04**  
(52) **U.S. Cl.**  
USPC ..... **D6/674**  
(58) **Field of Classification Search**  
USPC ..... D6/300–314, 674; D20/15; D11/157, D11/125, 122; D99/5, 23, 27; D26/4, 94  
CPC ..... A47G 3/00; A47G 33/02  
See application file for complete search history.

(56) **References Cited**

**U.S. PATENT DOCUMENTS**

D67,289 S	5/1925	Ladewich	
D103,027 S *	2/1937	Slattery	D99/27
D137,421 S *	3/1944	Rasmussen	D99/23
D159,891 S *	8/1950	Chevalier	D99/27
D160,900 S *	11/1950	Suhren	D6/450
D168,686 S *	1/1953	Hunter	D6/450
D256,398 S	8/1980	Mitchell	
D338,081 S *	8/1993	Klaffer	D26/94
D338,315 S	8/1993	Larson	
5,255,170 A *	10/1993	Plamp	A47G 33/02 362/121

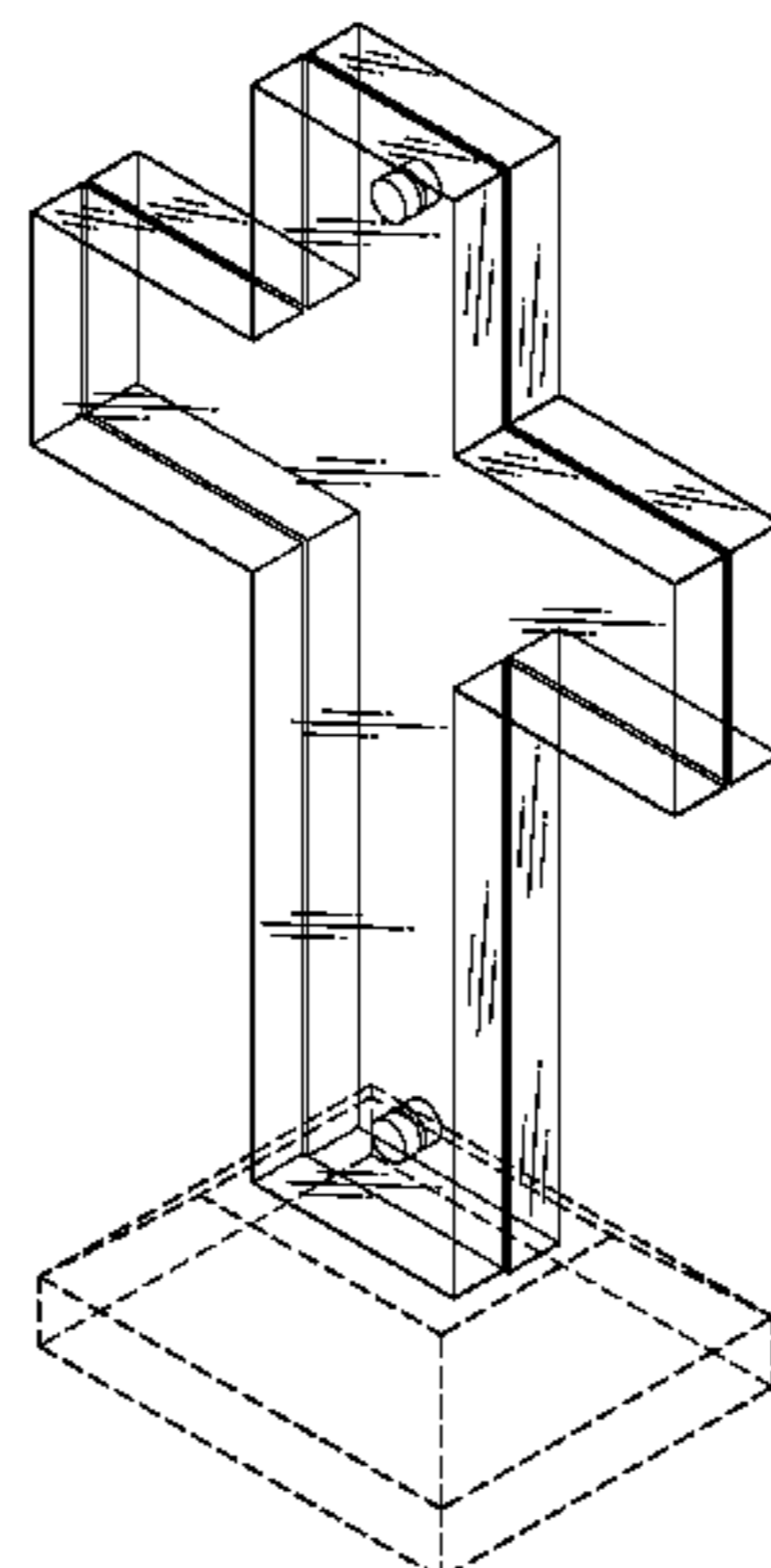
(Continued)

**DESCRIPTION**

FIG. 1 is a front perspective view of a cross-shaped display stand in accordance with the present invention;  
FIG. 2 is a bottom perspective view thereof;  
FIG. 3 is a front *elevation* view thereof, *with the rear view being identical*;  
FIG. 4 is a right side *elevation* view thereof, with the left side *elevation* view being **[identical]** *a mirror image*;  
FIG. 5 is a top *plan* view thereof; **[and,]**  
FIG. 6 is a bottom *plan* view thereof**[.]**;  
*FIG. 7 is a front perspective view of second embodiment cross-shaped display stand in accordance with the present invention;*  
*FIG. 8 is a rear bottom perspective view thereof;*  
*FIG. 9 is a front elevation view thereof, with the rear view being identical;*  
*FIG. 10 is a right side elevation view thereof, with the left side elevation view being a mirror image;*  
*FIG. 11 is a top plan view thereof; and,*  
*FIG. 12 is a bottom plan view thereof.*  
*The dash-dash broken lines in FIGS. 1 through 12 depict portions of the cross shade display stand in which the design is embodied that are not considered part of the claimed design. The dot-dash broken lines in FIGS. 7 through 12 represent the boundaries between the claimed and non-claimed subject matter.*

**1 Claim, 8 Drawing Sheets**

**Matter enclosed in heavy brackets [ ] appears in the original patent but forms no part of this reissue; matter printed in italics indicates the additions made by reissue.**



(AMENDED)

# US RE46,061 E

Page 2

(56)

## References Cited

### U.S. PATENT DOCUMENTS

D370,282 S *	5/1996	Grether .....	D11/122	D440,734 S *	4/2001	Berry .....	D99/23
D379,330 S *	5/1997	Krizan .....	D11/96	D443,970 S *	6/2001	Stucker .....	D99/27
D402,586 S *	12/1998	Johnson .....	D11/131	D481,223 S *	10/2003	Locker et al. ....	D6/470
D408,653 S *	4/1999	Dotson et al. ....	D6/450	D518,939 S *	4/2006	Borgerding .....	D99/5
D412,461 S *	8/1999	McGrew .....	D11/122	D578,275 S	10/2008	Shantz et al.	
6,082,880 A *	7/2000	Nerlino .....	A47G 33/02 362/121	D600,156 S *	9/2009	Gersh .....	D11/89
D429,351 S *	8/2000	Grether .....	D26/25	D618,135 S *	6/2010	Horst .....	D11/157
D431,206 S *	9/2000	Byers .....	D11/125	D619,926 S *	7/2010	Letney .....	D11/157
				D649,594 S *	11/2011	Yi et al. ....	D20/15
				D654,828 S	2/2012	Piric	
				D685,675 S	7/2013	Dubow	

\* cited by examiner

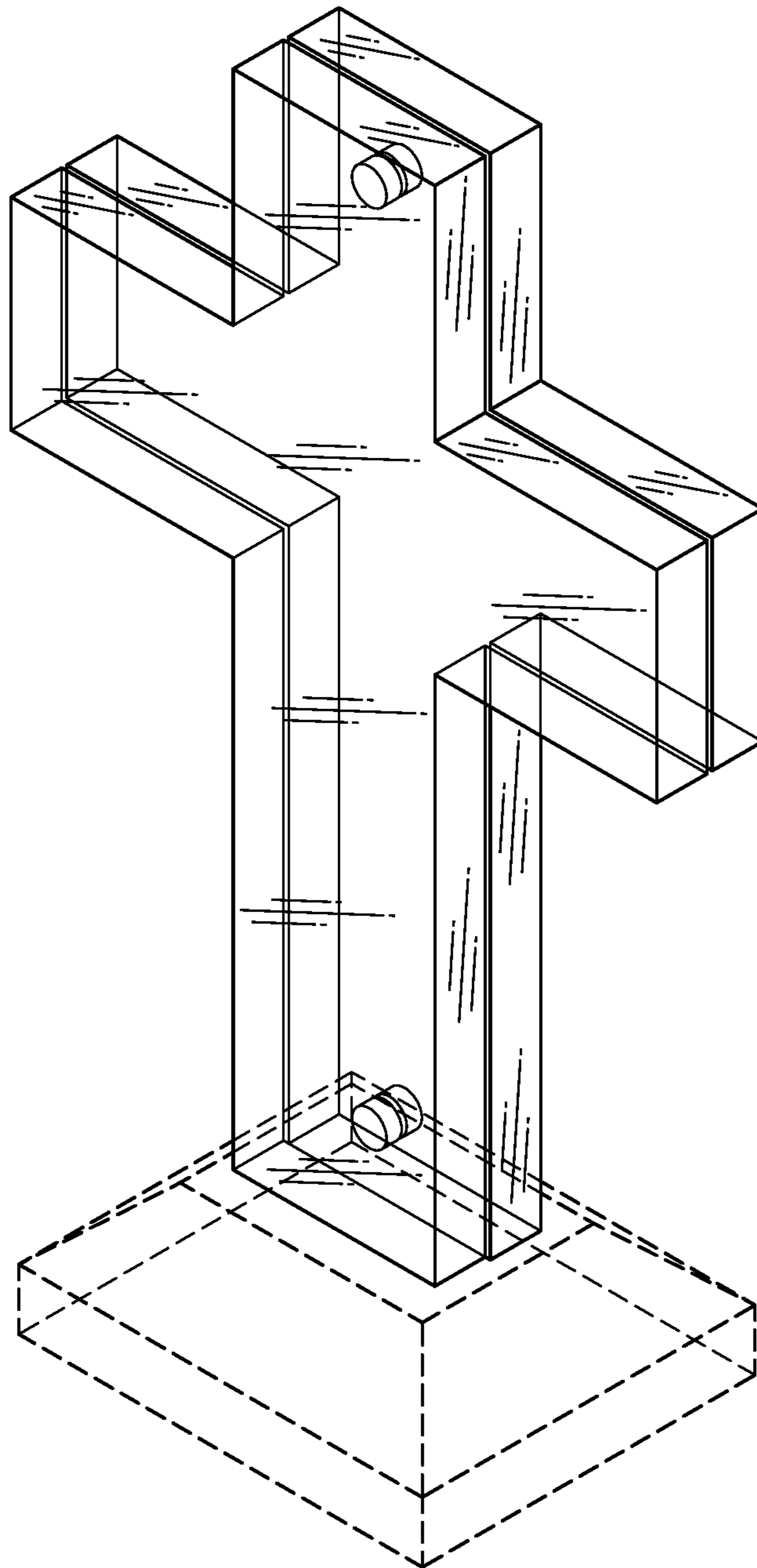


FIG. 1

(AMENDED)

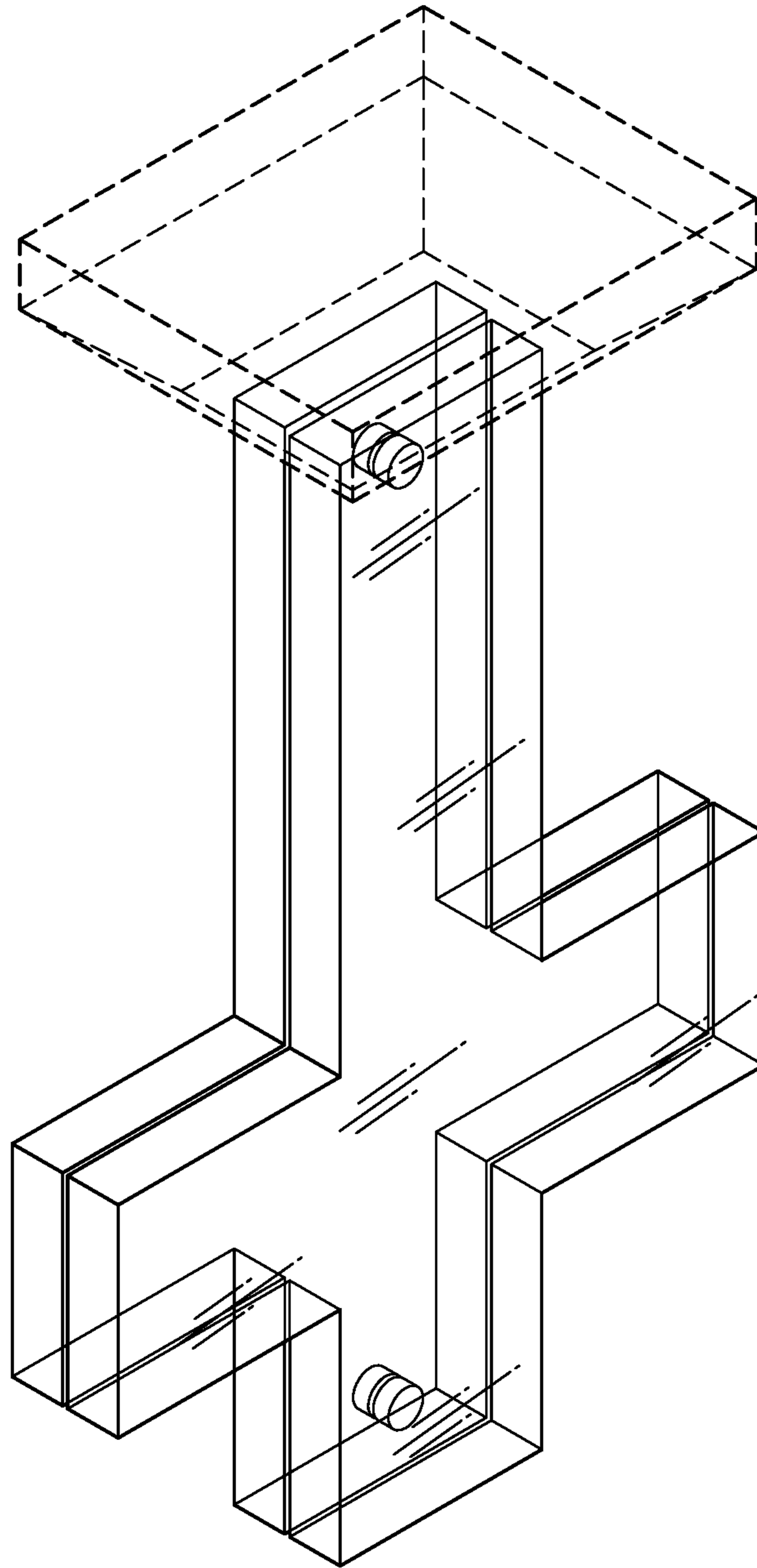


FIG. 2

(AMENDED)

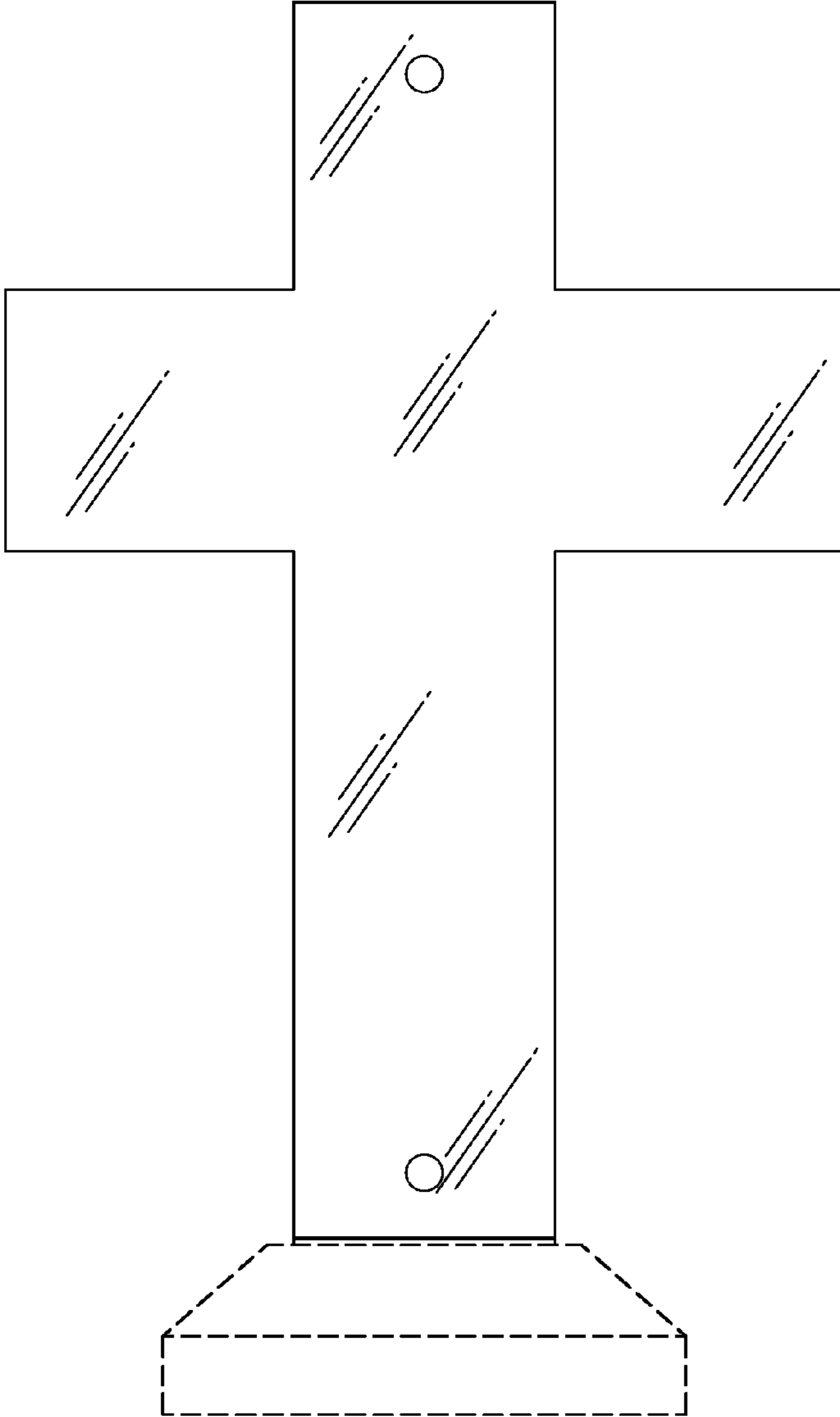


FIG. 3  
(AMENDED)

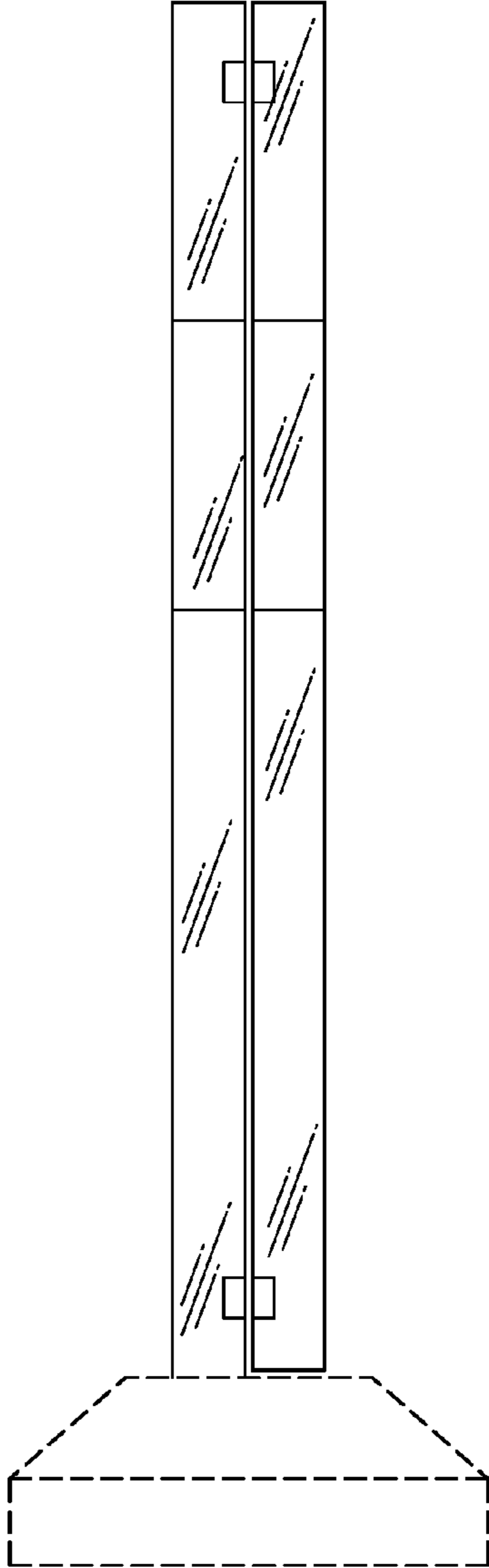
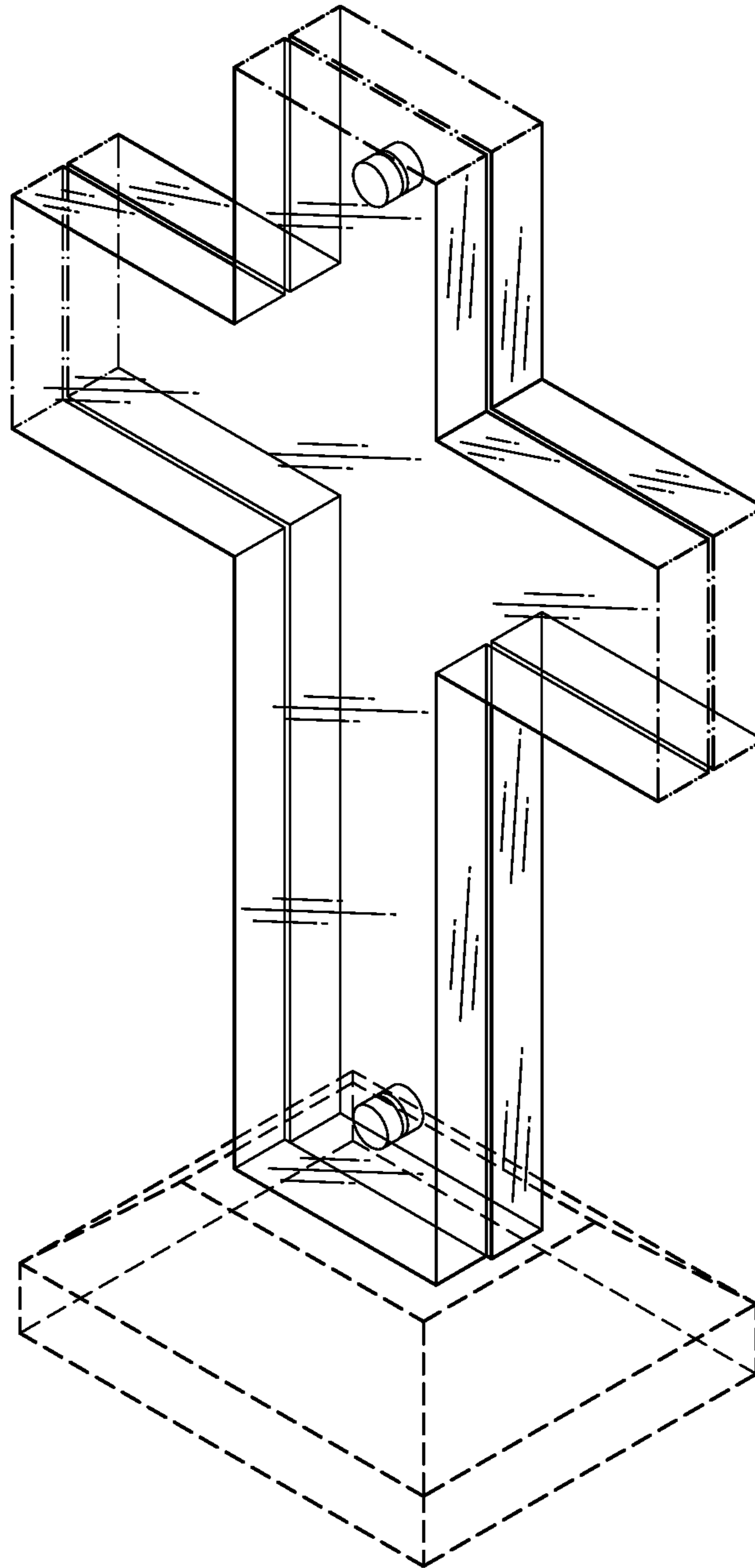


FIG. 4  
(AMENDED)





**FIG. 7**  
(AMENDED)

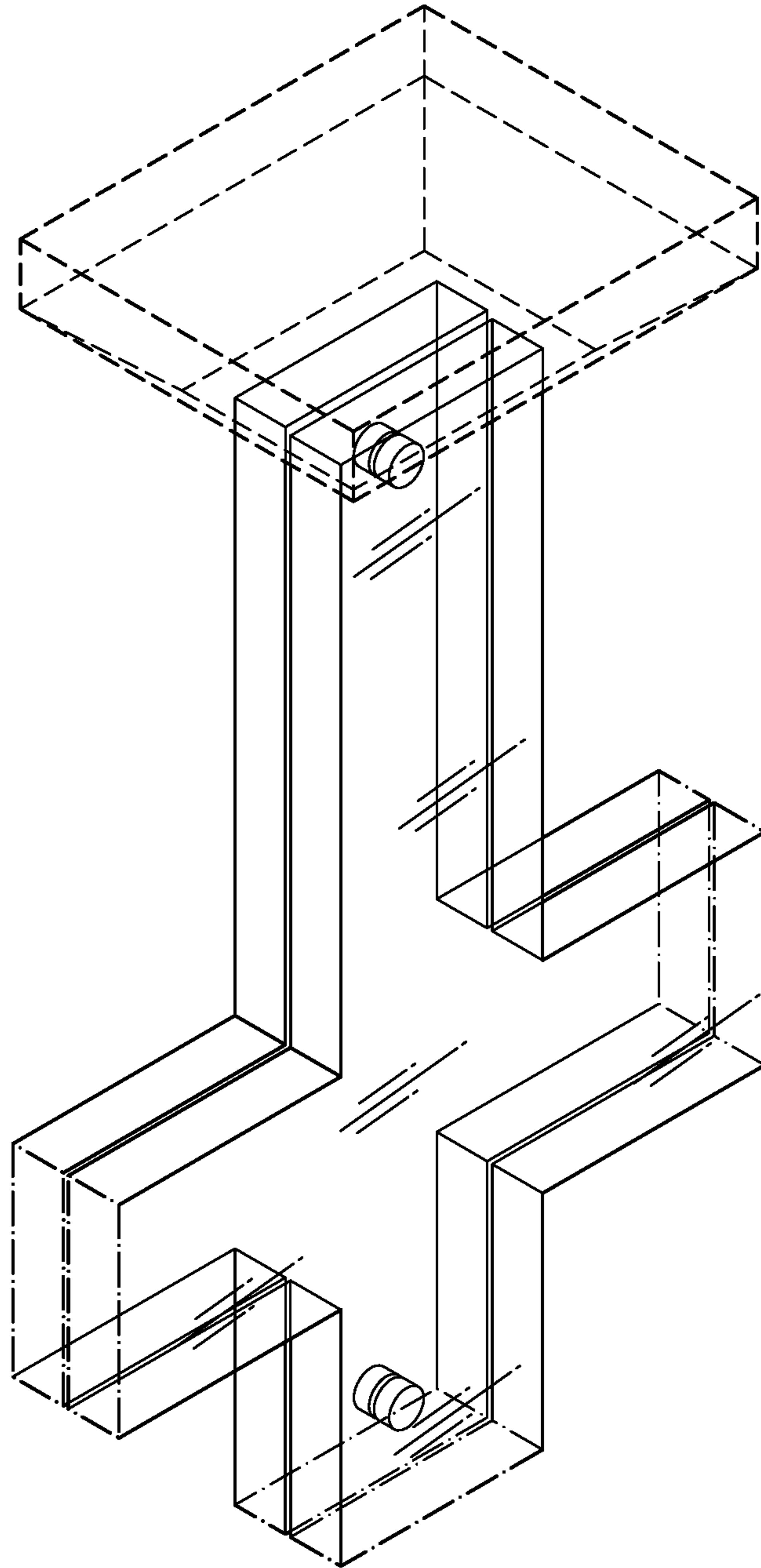


FIG. 8

(NEW)



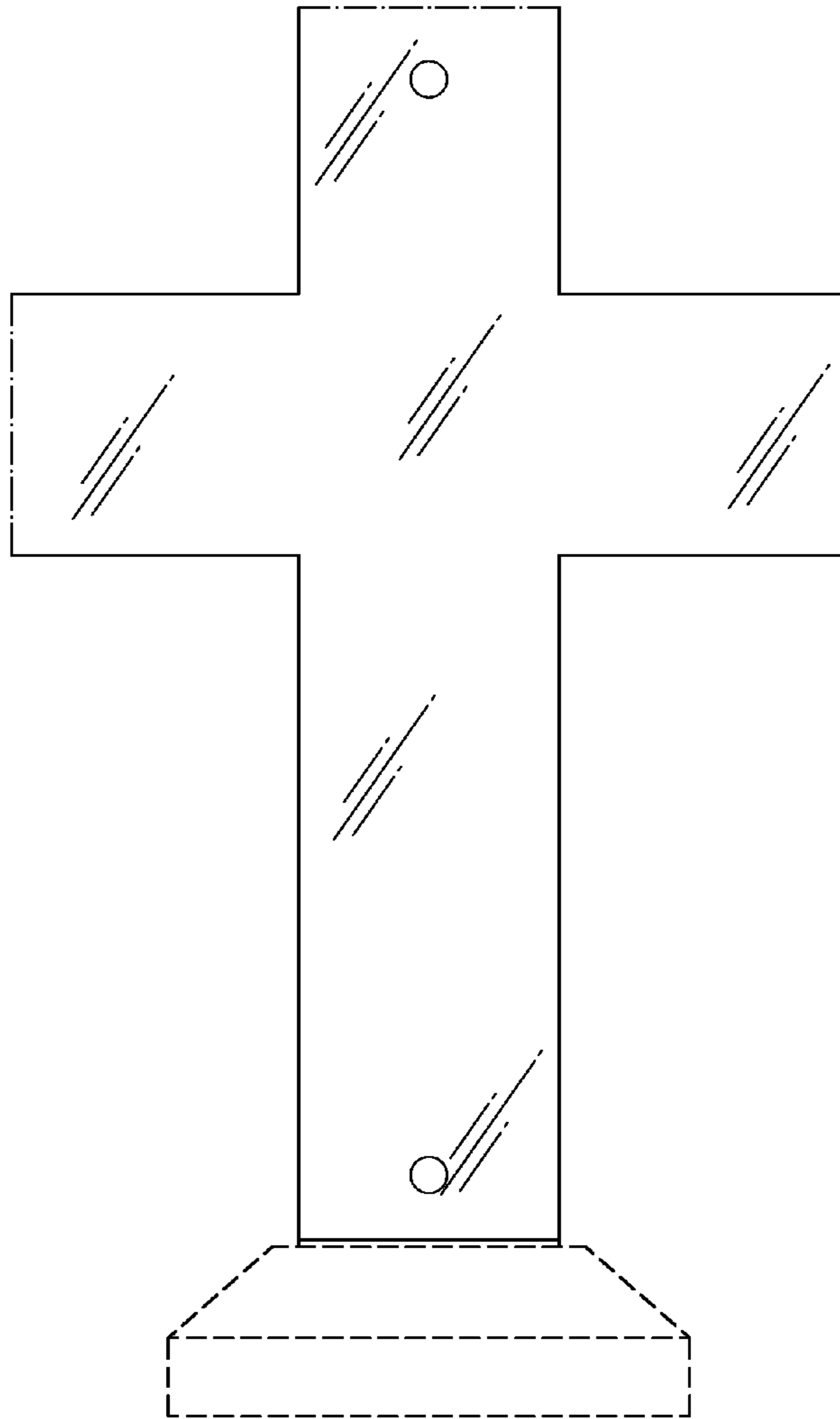


FIG. 9  
(NEW)

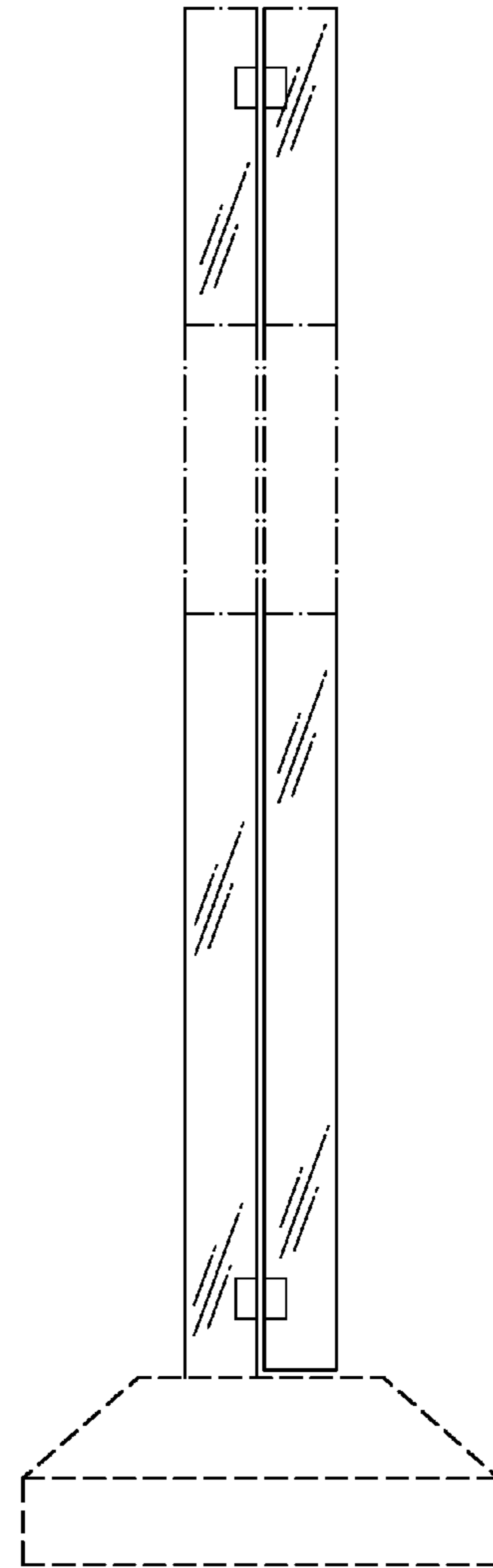
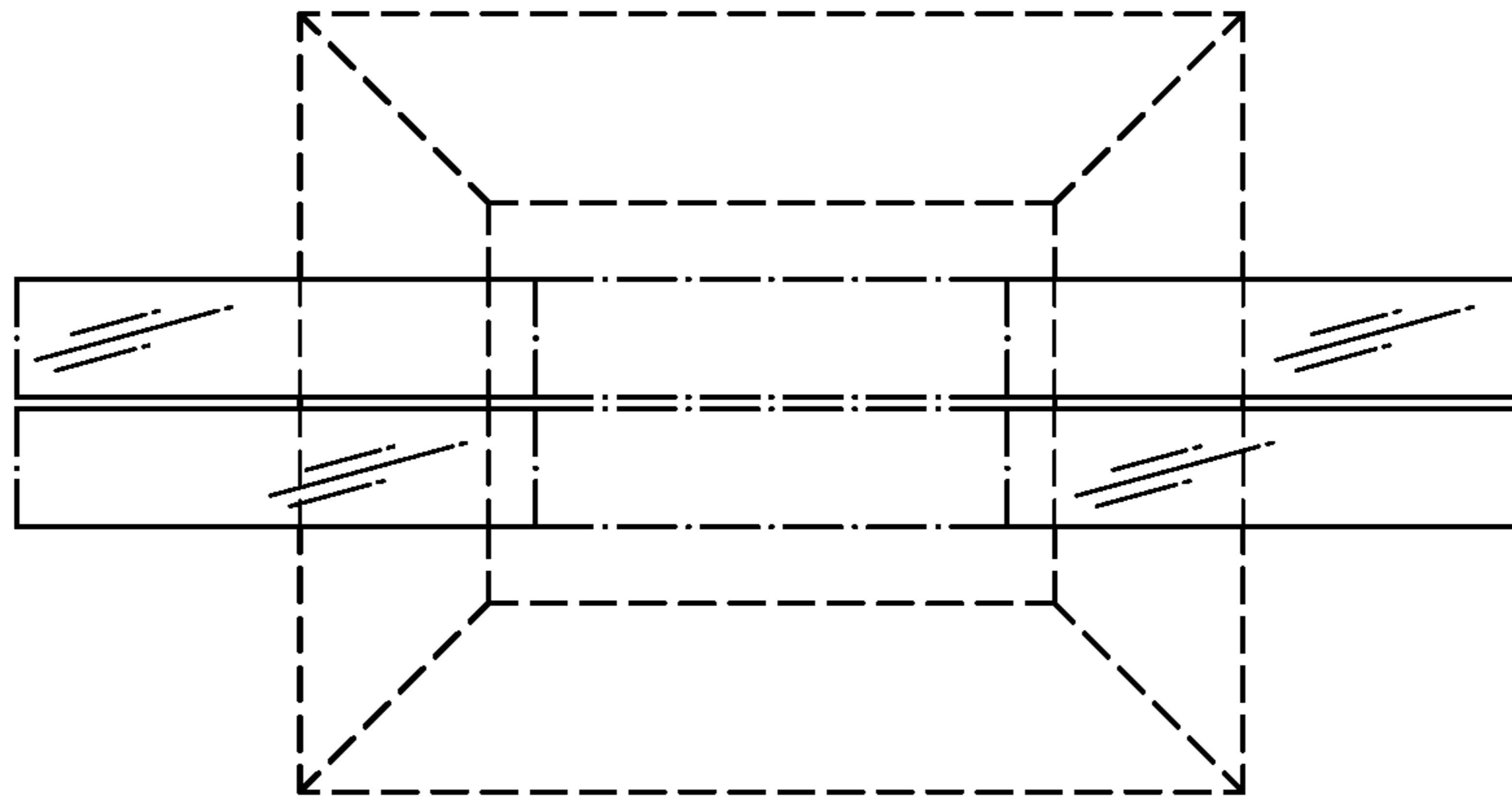
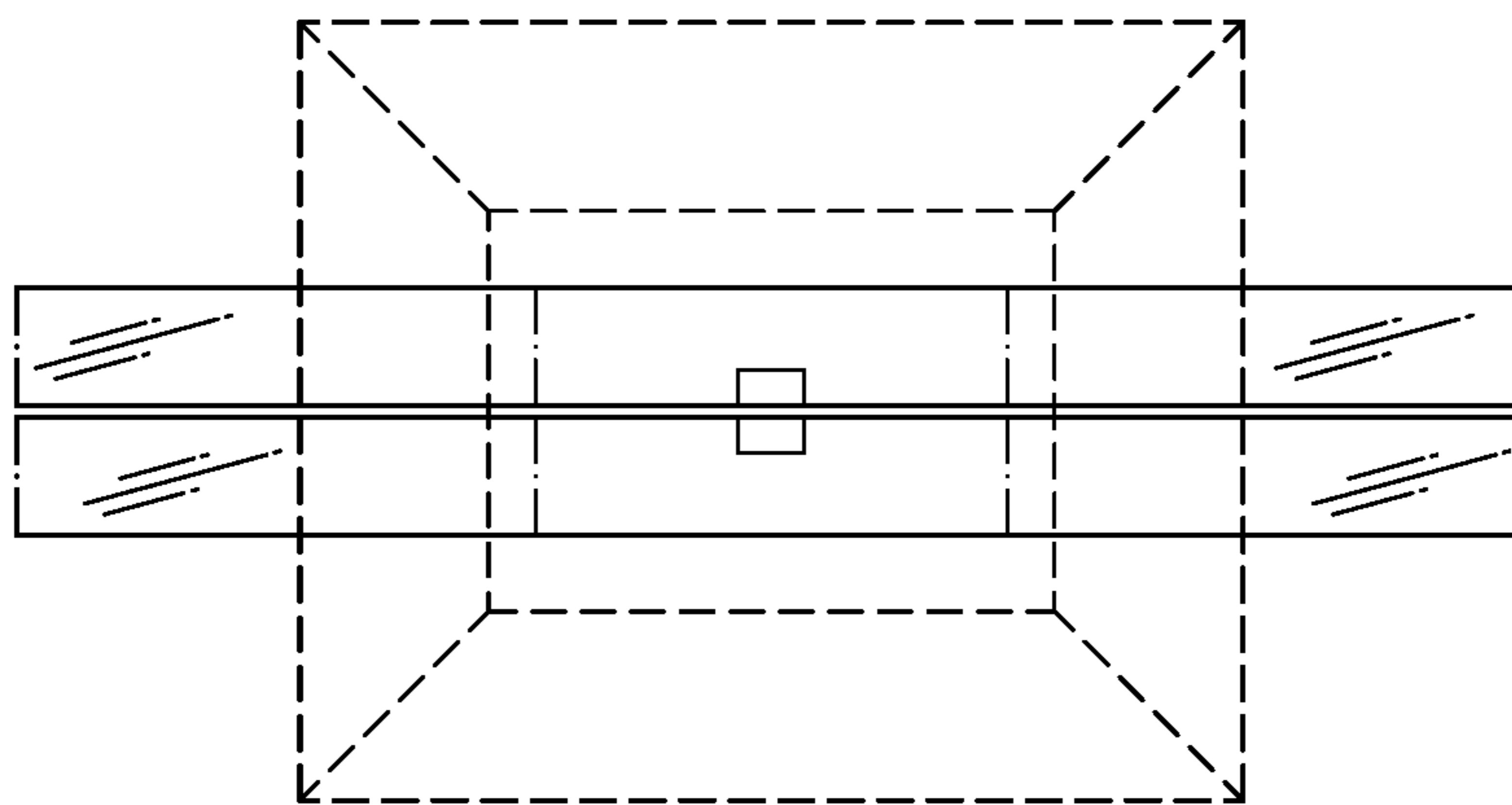


FIG. 10  
(NEW)



**FIG. 11**  
(NEW)



**FIG. 12**  
(NEW)