

US00RE46015E

(19) **United States**
(12) **Reissued Patent**
Song et al.

(10) **Patent Number:** **US RE46,015 E**
(45) **Date of Reissued Patent:** ***May 24, 2016**

(54) **DTV TRANSMITTING SYSTEM AND RECEIVING SYSTEM AND METHOD OF PROCESSING BROADCAST DATA**

(71) Applicant: **LG ELECTRONICS INC.**, Seoul (KR)

(72) Inventors: **Won Gyu Song**, Seoul (KR); **In Hwan Choi**, Gyeonggi-do (KR); **Kook Yeon Kwak**, Gyeonggi-do (KR); **Byoung Gill Kim**, Seoul (KR); **Jin Woo Kim**, Seoul (KR); **Hyoung Gon Lee**, Seoul (KR); **Jong Moon Kim**, Seoul (KR)

(73) Assignee: **LG ELECTRONICS INC.**, Seoul (KR)

(*) Notice: This patent is subject to a terminal disclaimer.

(21) Appl. No.: **14/227,925**

(22) Filed: **Mar. 27, 2014**

Related U.S. Patent Documents

Reissue of:

(64) Patent No.: **8,144,788**
Issued: **Mar. 27, 2012**
Appl. No.: **11/764,079**
Filed: **Jun. 15, 2007**

U.S. Applications:

(60) Provisional application No. 60/884,006, filed on Jan. 8, 2007.

(30) **Foreign Application Priority Data**

Jun. 15, 2006 (KR) 10-2006-0053884
Sep. 15, 2006 (KR) 10-2006-0089736

(51) **Int. Cl.**
H04N 7/12 (2006.01)
H04N 21/435 (2011.01)
(Continued)

(52) **U.S. Cl.**
CPC **H04N 21/435** (2013.01); **H04N 21/235** (2013.01); **H04N 21/2383** (2013.01);

(Continued)

(58) **Field of Classification Search**

CPC H04N 21/435; H04N 21/4345; H04N 21/235; H04N 21/23614; H04N 21/4382; H04N 21/4348; H04N 21/2383; H04N 21/434; H04N 21/4623
USPC 348/723-726, 553; 375/240.27, 259, 375/260, 261, 265, 270, 295, 301, 365, 375/368; 714/755, 758, 762, 784, 800-805
See application file for complete search history.

(56) **References Cited**

U.S. PATENT DOCUMENTS

6,118,498 A 9/2000 Reitmeier
6,275,507 B1 8/2001 Anderson et al.

(Continued)

FOREIGN PATENT DOCUMENTS

CA 2527546 5/2006
WO 2005-006759 1/2005
WO 2005-115001 12/2005

OTHER PUBLICATIONS

United States Patent and Trademark Office U.S. Appl. No. 13/399,976, Office Action dated May 28, 2013, 4 pages.

(Continued)

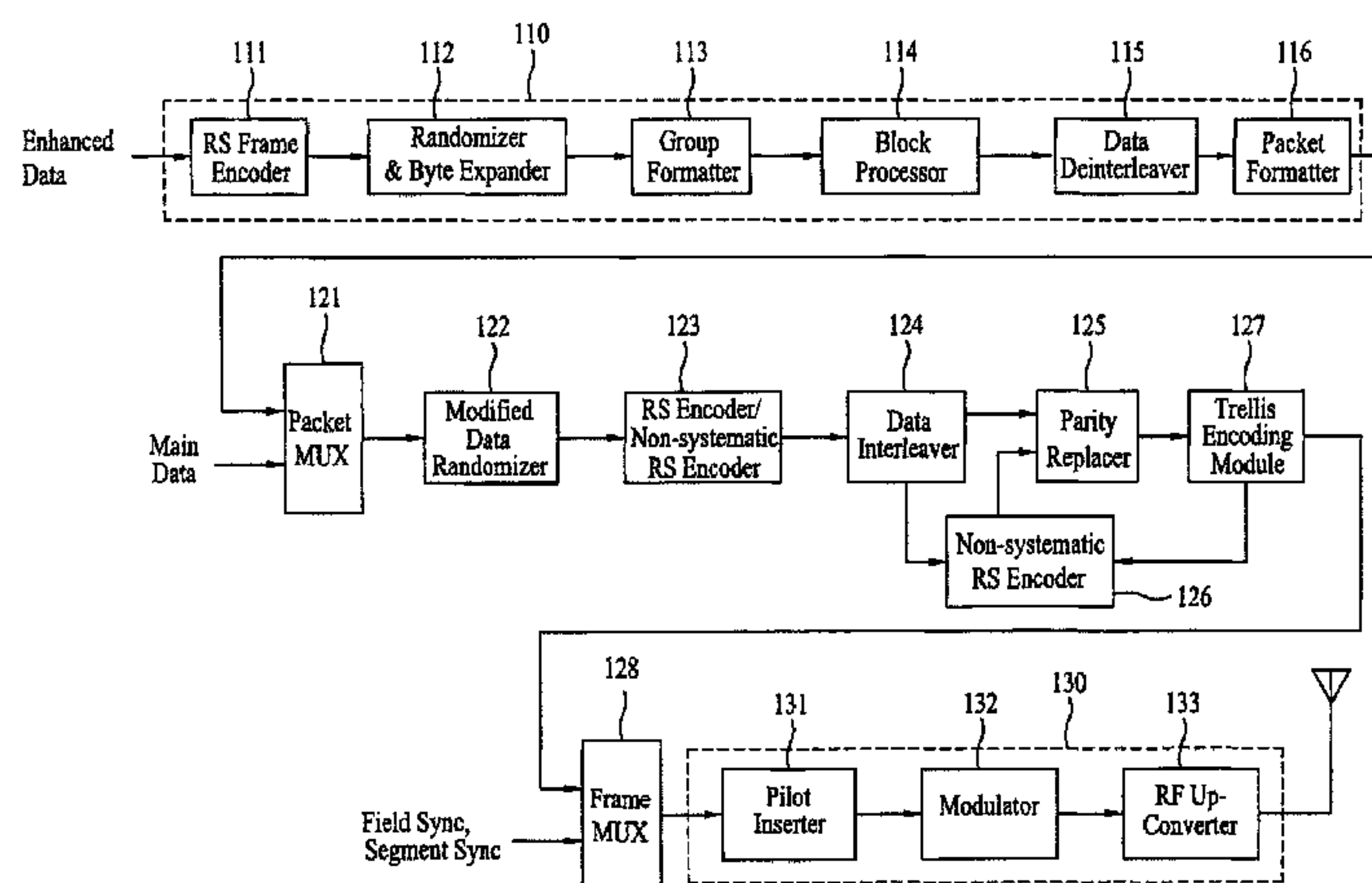
Primary Examiner — Colin LaRose

(74) *Attorney, Agent, or Firm* — Lee, Hong, Degerman, Kang & Waimey; Jonathan Kang; Richard Salfelder

(57) **ABSTRACT**

A digital television receiving system includes a frame encoder, a data randomizing and expanding unit, a group formatter, a block processor, a deinterleaver, and a multiplexer. The frame encoder encodes an enhanced data frame for error correction. The data randomizing and expanding unit randomizes the encoded enhanced data and expands the randomized enhanced data. The group formatter forms a group of enhanced data having head, body, and tail regions and inserts the expanded data and transmission parameters into the body region. The block processor codes the group of enhanced data, and the deinterleaver deinterleaves the coded enhanced data. The packet formatter formats the deinterleaved enhanced data into enhanced data packets.

15 Claims, 11 Drawing Sheets



US RE46,015 E

Page 2

- (51) **Int. Cl.**
- | | | | | | |
|---------------------|-----------|-------------------|---------|-----------------|--------------------------|
| <i>H04N 21/4623</i> | (2011.01) | 8,045,637 B2 * | 10/2011 | Lee et al. | H04L 1/0041
375/265 |
| <i>H04N 21/235</i> | (2011.01) | 8,059,723 B2 | 11/2011 | Lee et al. | |
| <i>H04N 21/236</i> | (2011.01) | 8,582,682 B2 * | 11/2013 | Chang | H03M 13/253
375/253 |
| <i>H04N 21/438</i> | (2011.01) | 2002/0085632 A1 | 7/2002 | Choi et al. | |
| <i>H04N 21/434</i> | (2011.01) | 2002/0154709 A1 | 10/2002 | Choi et al. | |
| <i>H04N 21/2383</i> | (2011.01) | 2002/0191712 A1 | 12/2002 | Gaddam et al. | |
| | | 2004/0184399 A1 | 9/2004 | Chiou | |
| | | 2005/0111586 A1 | 5/2005 | Kang et al. | |
| | | 2005/0162886 A1 | 7/2005 | Jeong et al. | |
| | | 2005/0249301 A1 | 11/2005 | Jeong et al. | |
| | | 2007/0183525 A1 * | 8/2007 | Park | H03M 13/2936
375/262 |
| | | 2007/0230560 A1 * | 10/2007 | Park | H04N 21/23439
375/240 |
- (52) **U.S. Cl.**
CPC *H04N21/23614* (2013.01); *H04N 21/434*
(2013.01); *H04N 21/4345* (2013.01); *H04N*
21/4348 (2013.01); *H04N 21/4382* (2013.01);
H04N 21/4623 (2013.01)

- (56) **References Cited**
U.S. PATENT DOCUMENTS
6,927,708 B2 8/2005 Fimoff

OTHER PUBLICATIONS
United States Patent and Trademark Office U.S. Appl. No.
14/455,666, Office Action dated Nov. 30, 2015, 9 pages.
* cited by examiner

FIG. 1

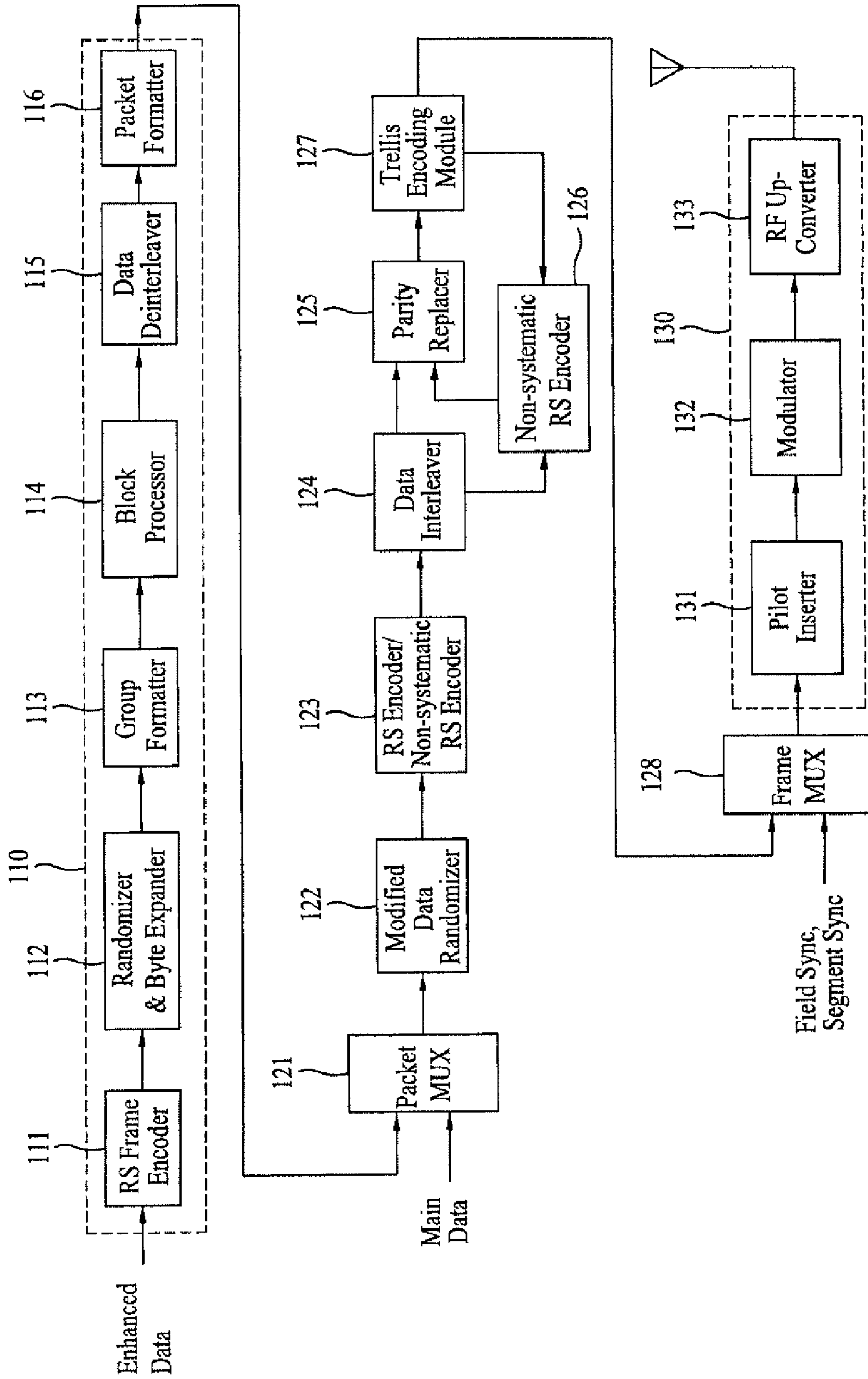


FIG. 2

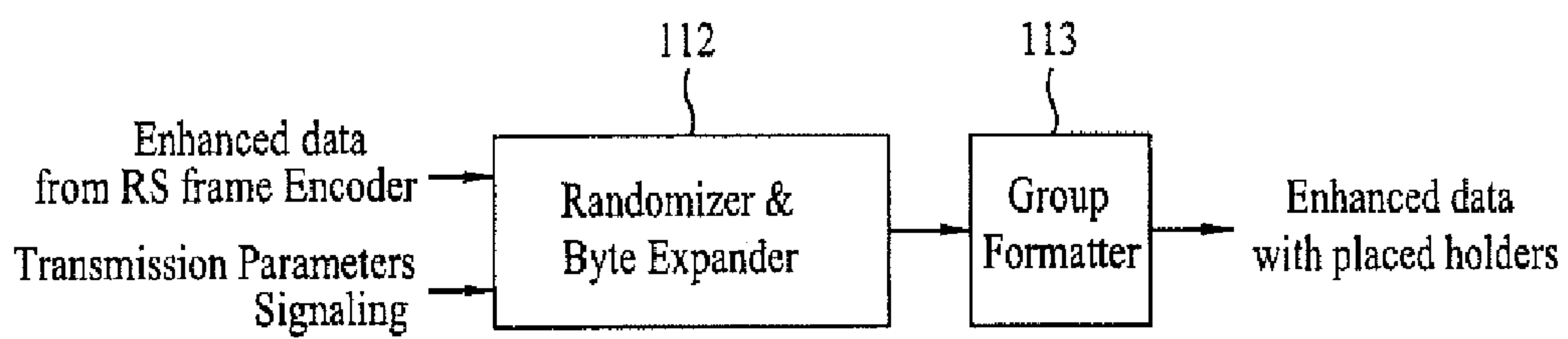


FIG. 3

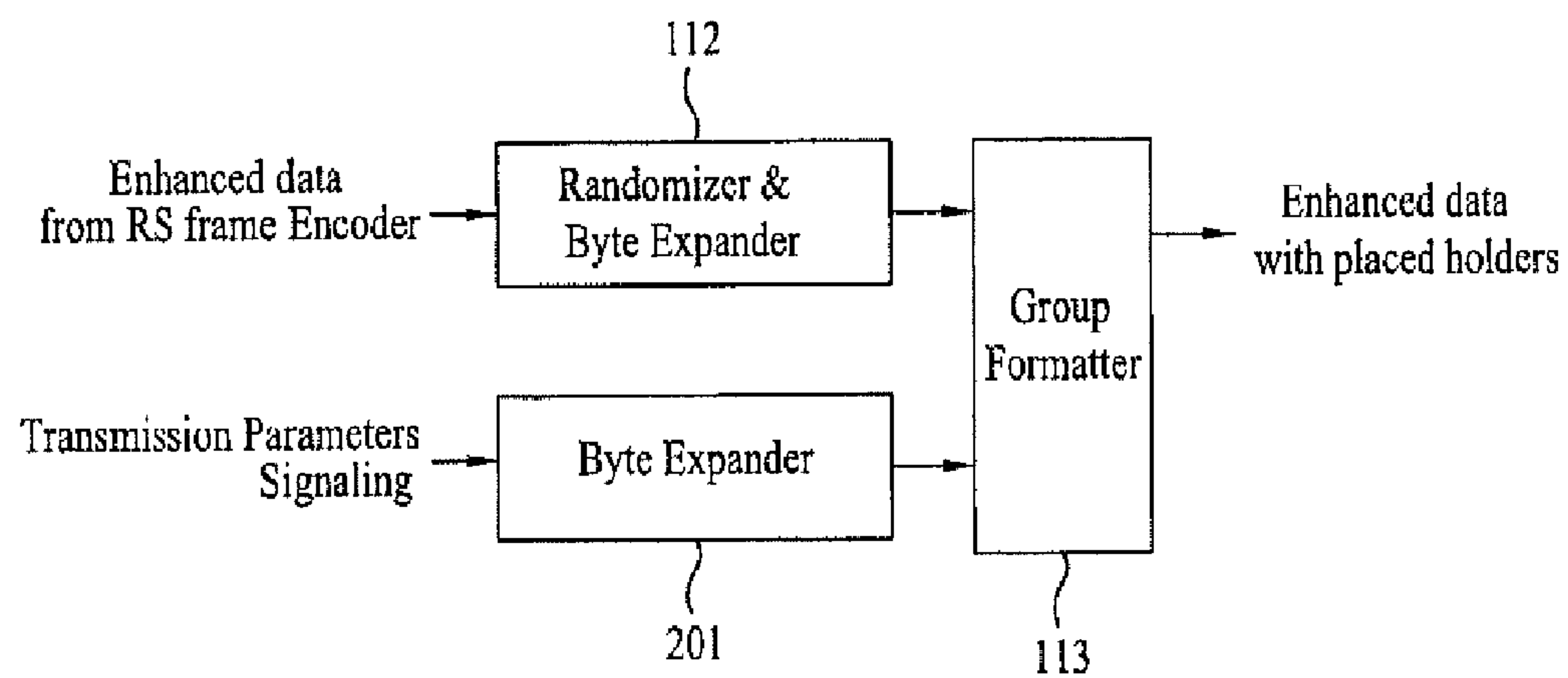


FIG. 4

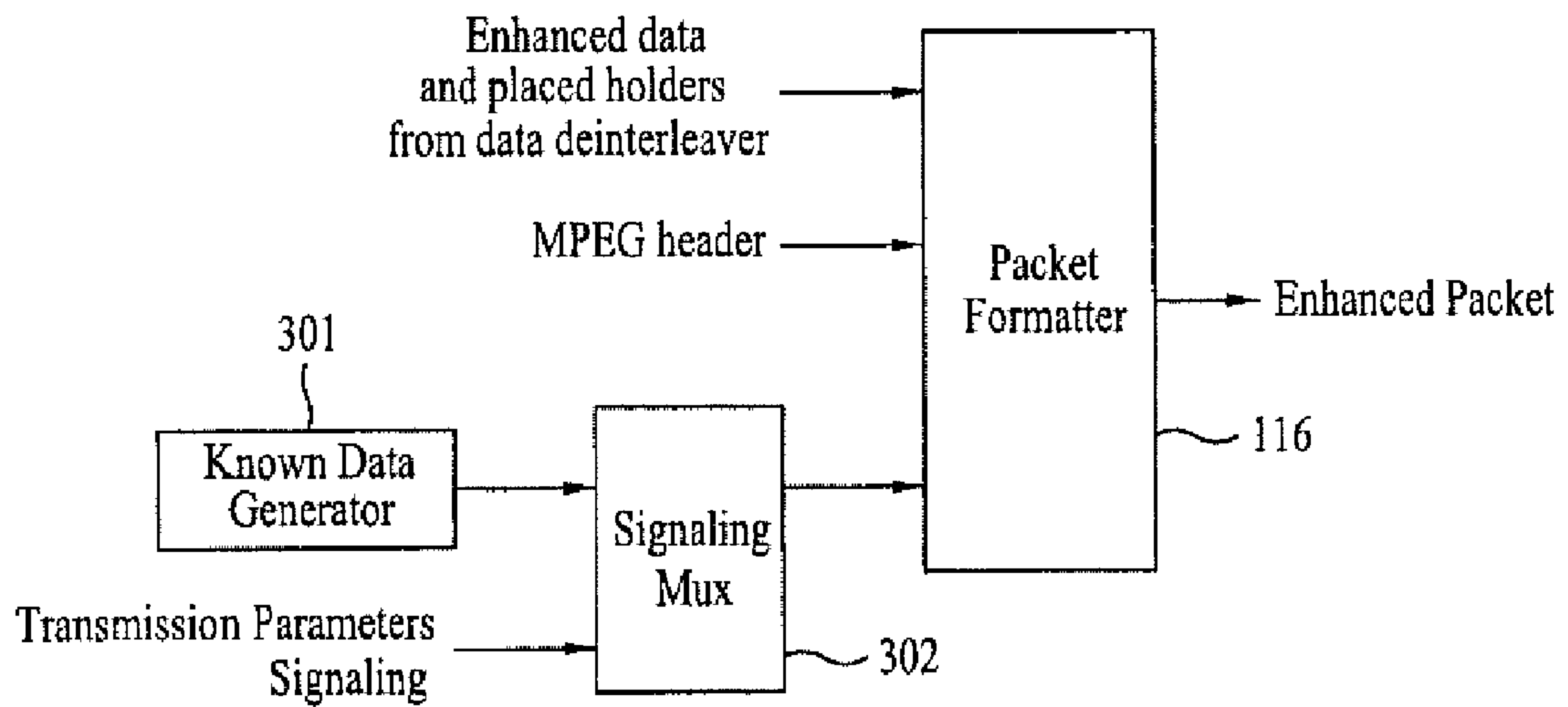


FIG. 5

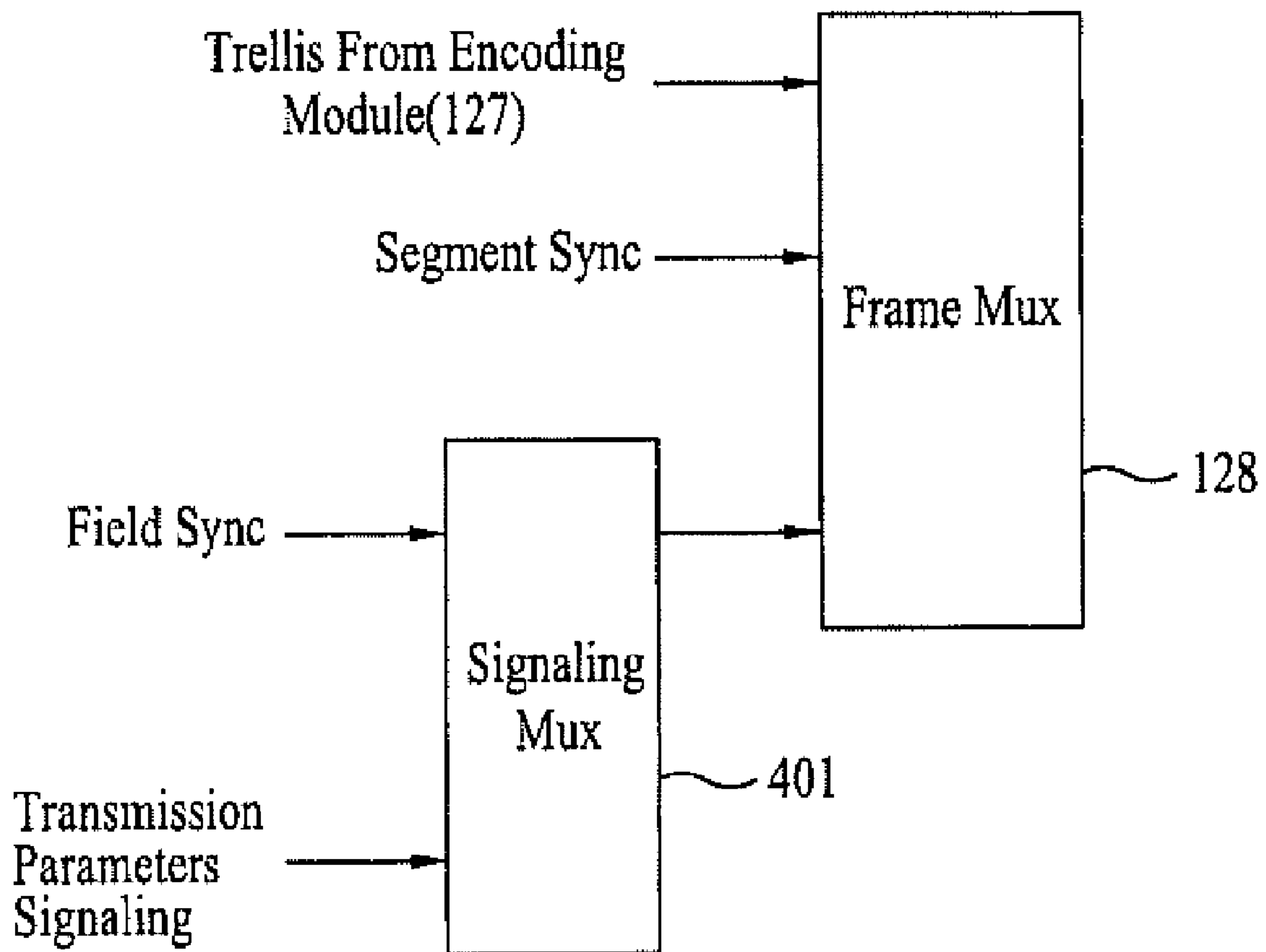


FIG. 6

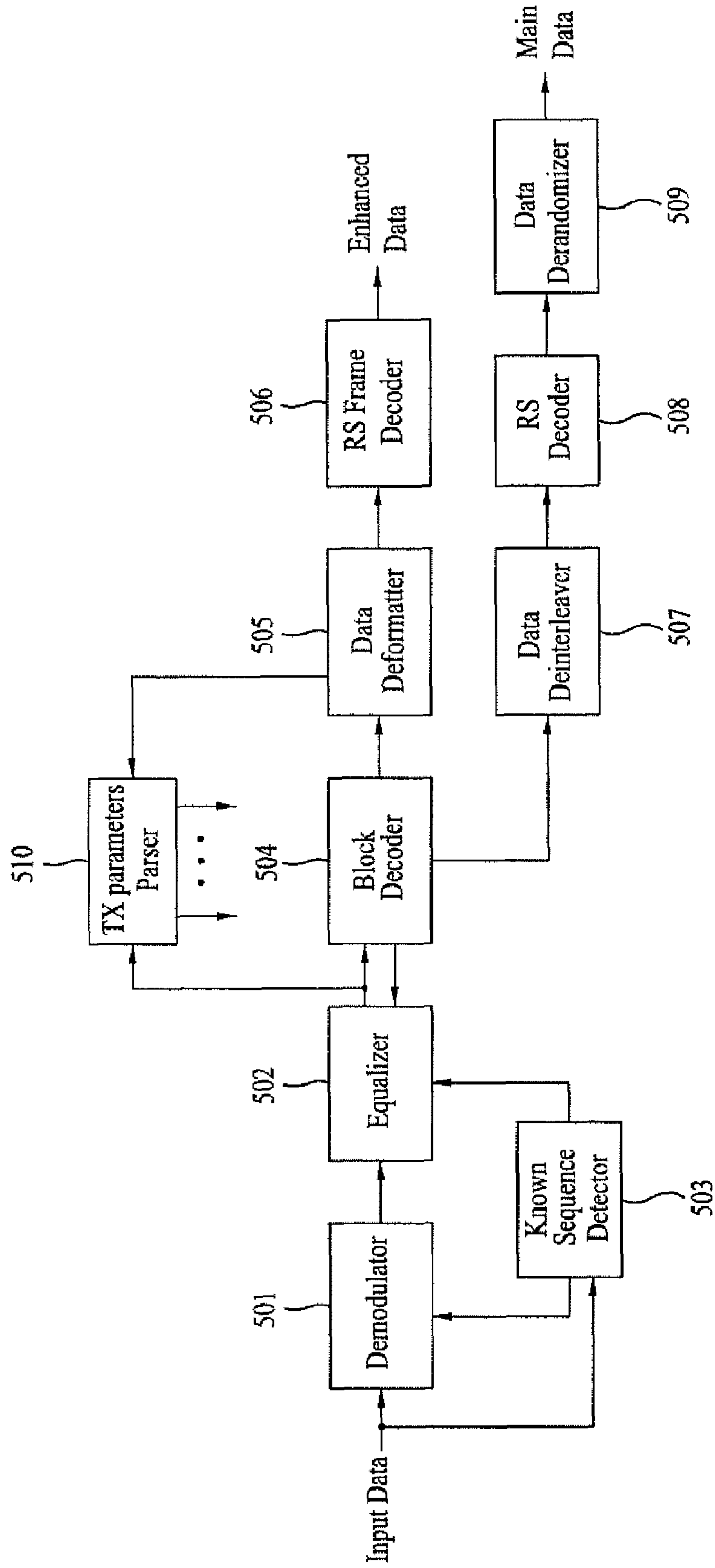


FIG. 7

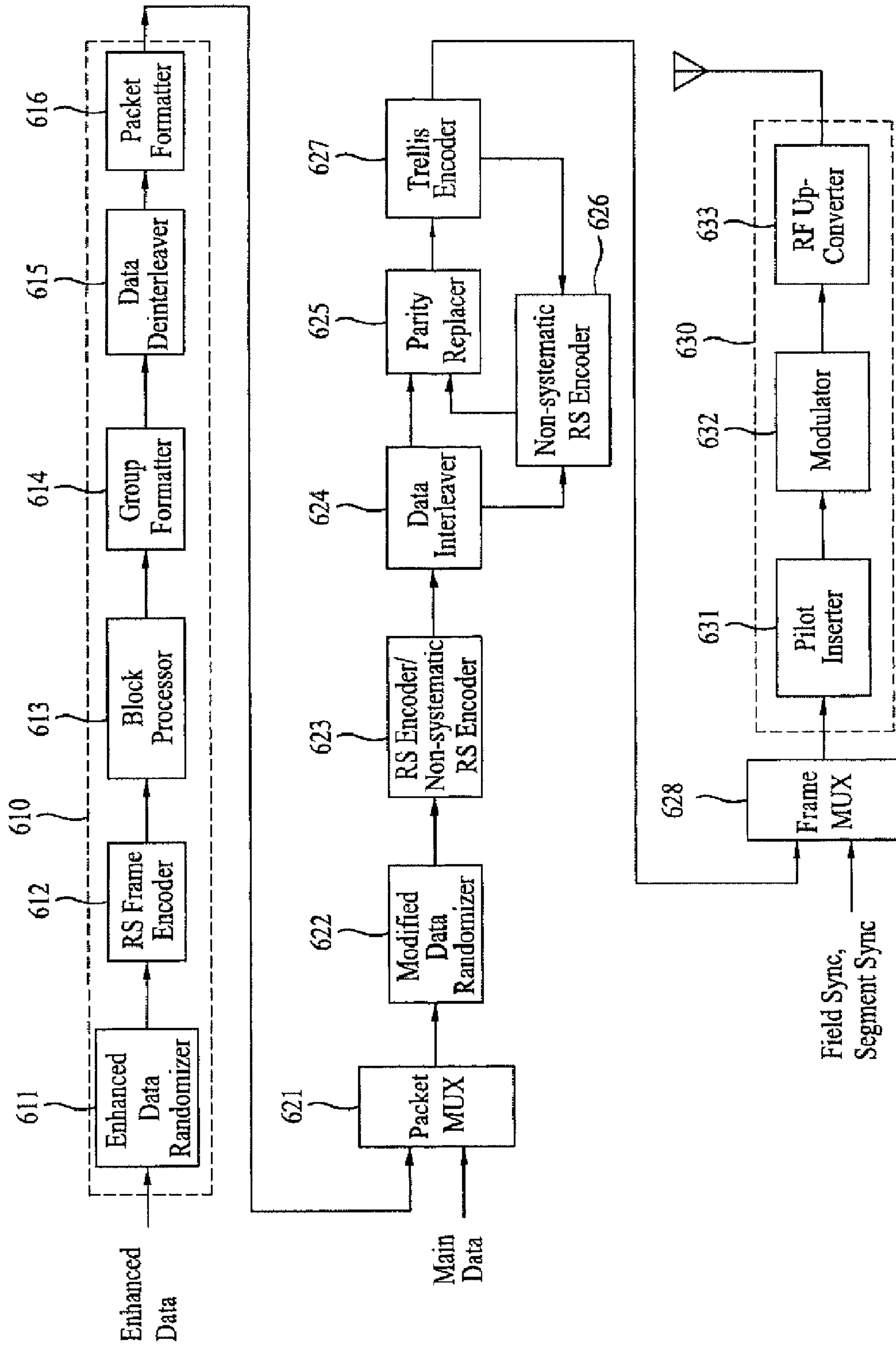
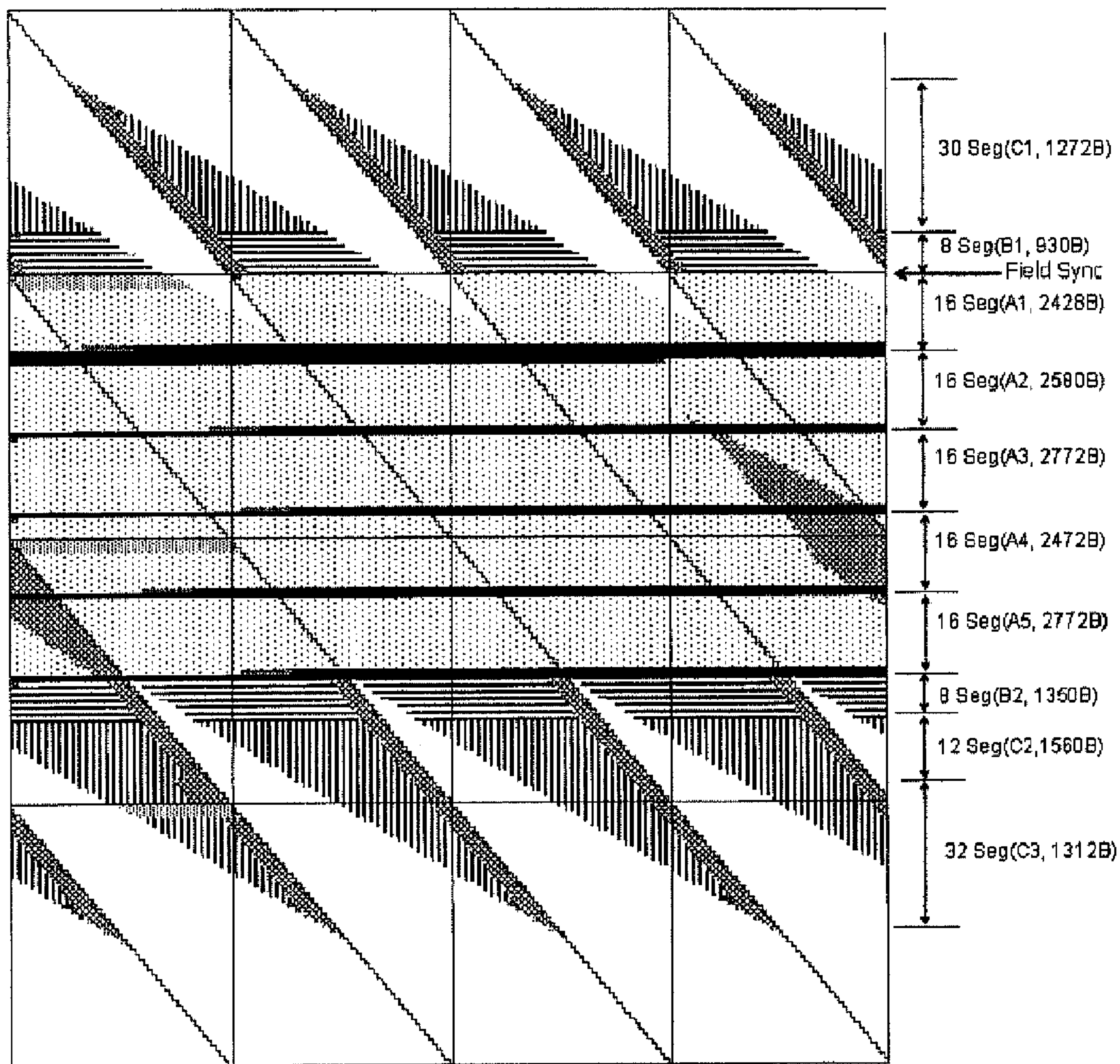


FIG. 8



-  region A
-  region B
-  region C







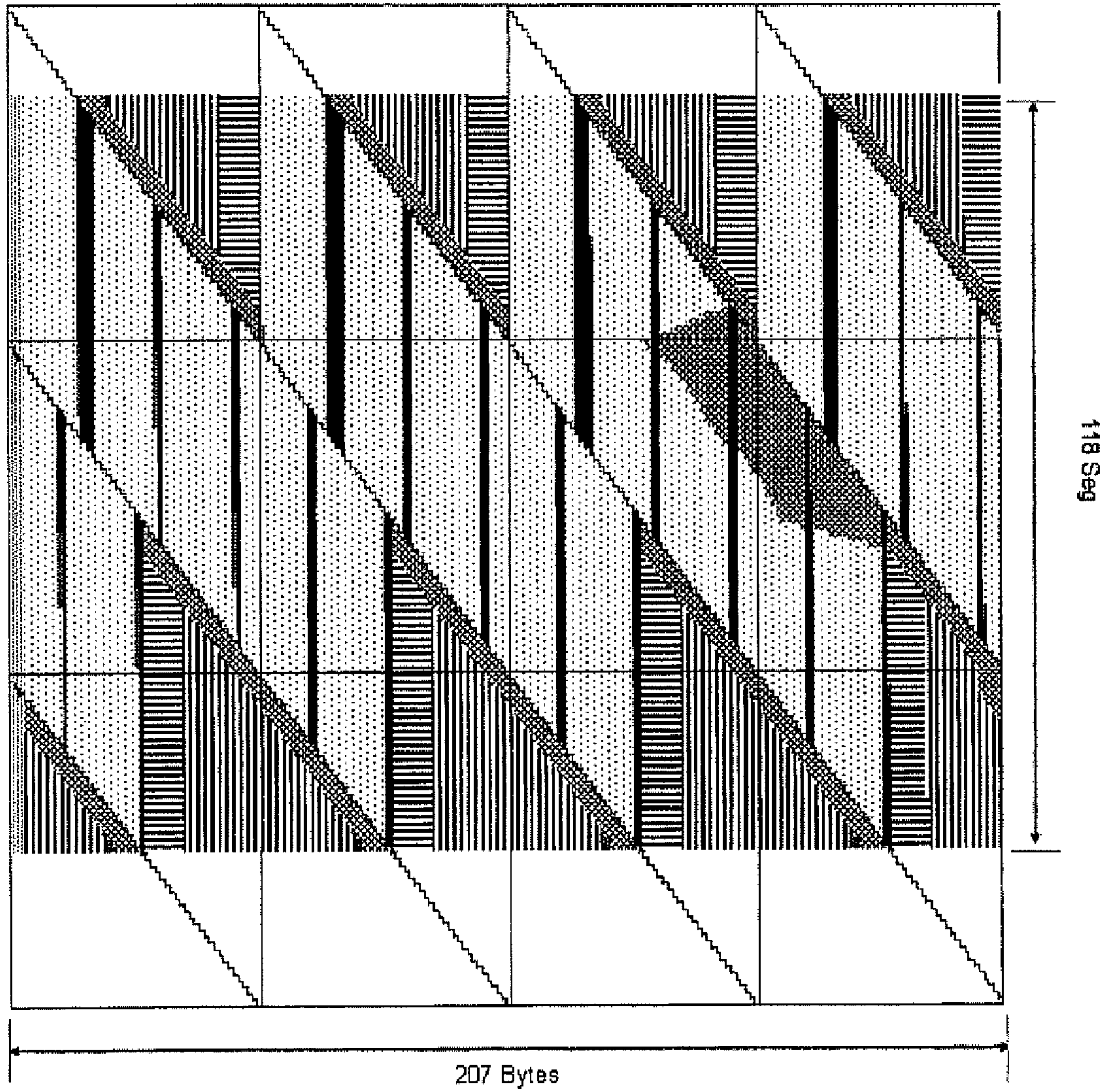
-  Main Data
-  Trellis Init
-  Known Data
-  MPEG Header
-  RS Parity
-  Dummy Byte

FIG. 9



- region A
- region B
- region C

- Main Data
- Trellis Init
- Known Data
- MPEG Header
- RS Parity
- Dummy Byte

FIG. 10

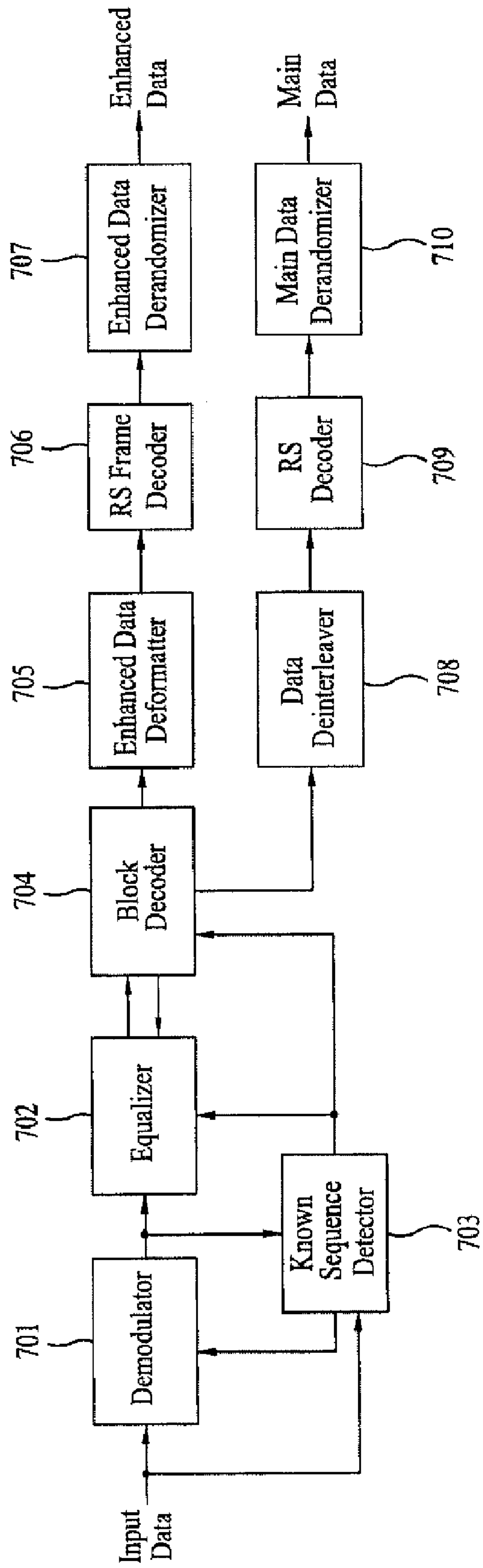


FIG. 11

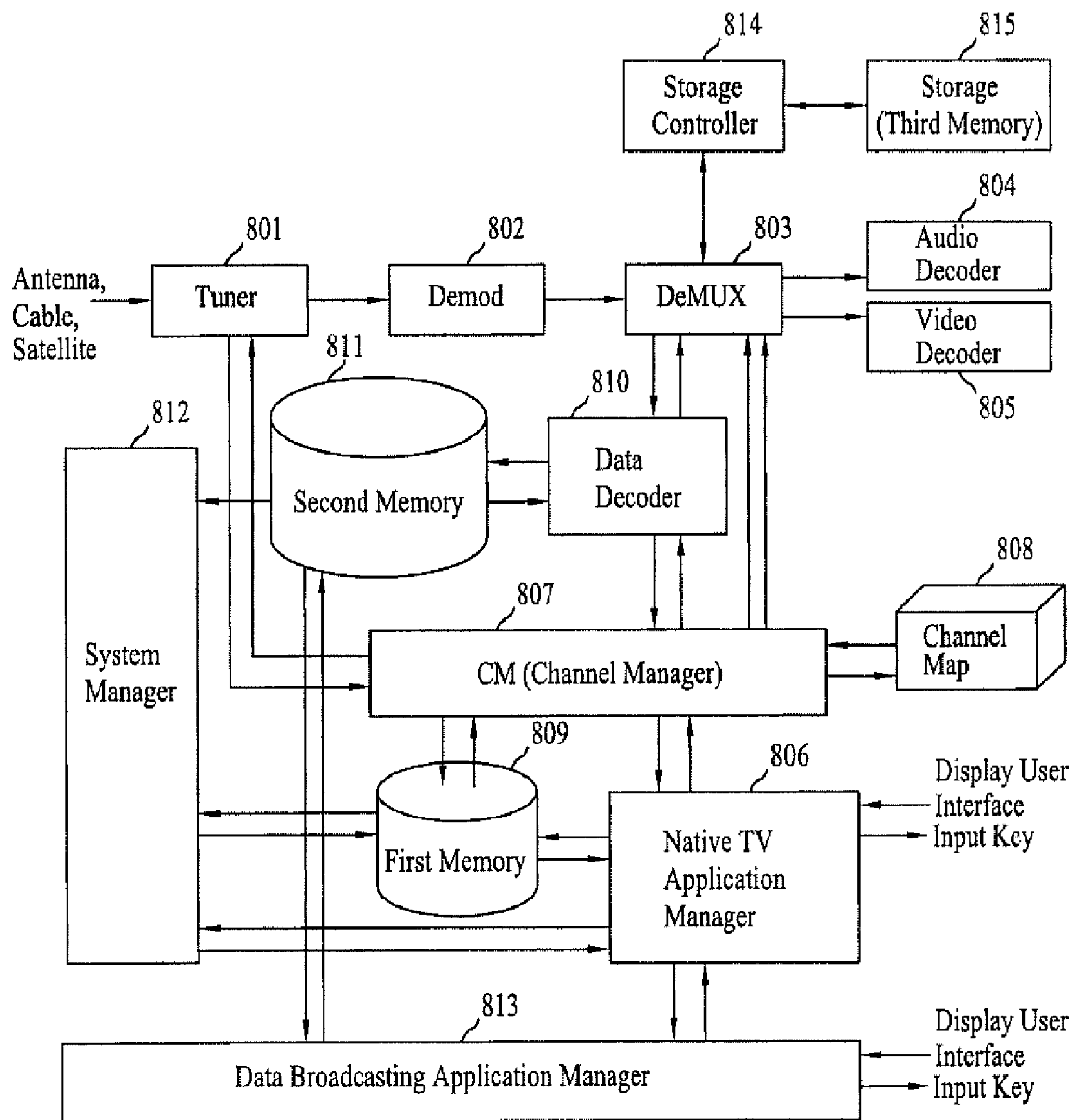
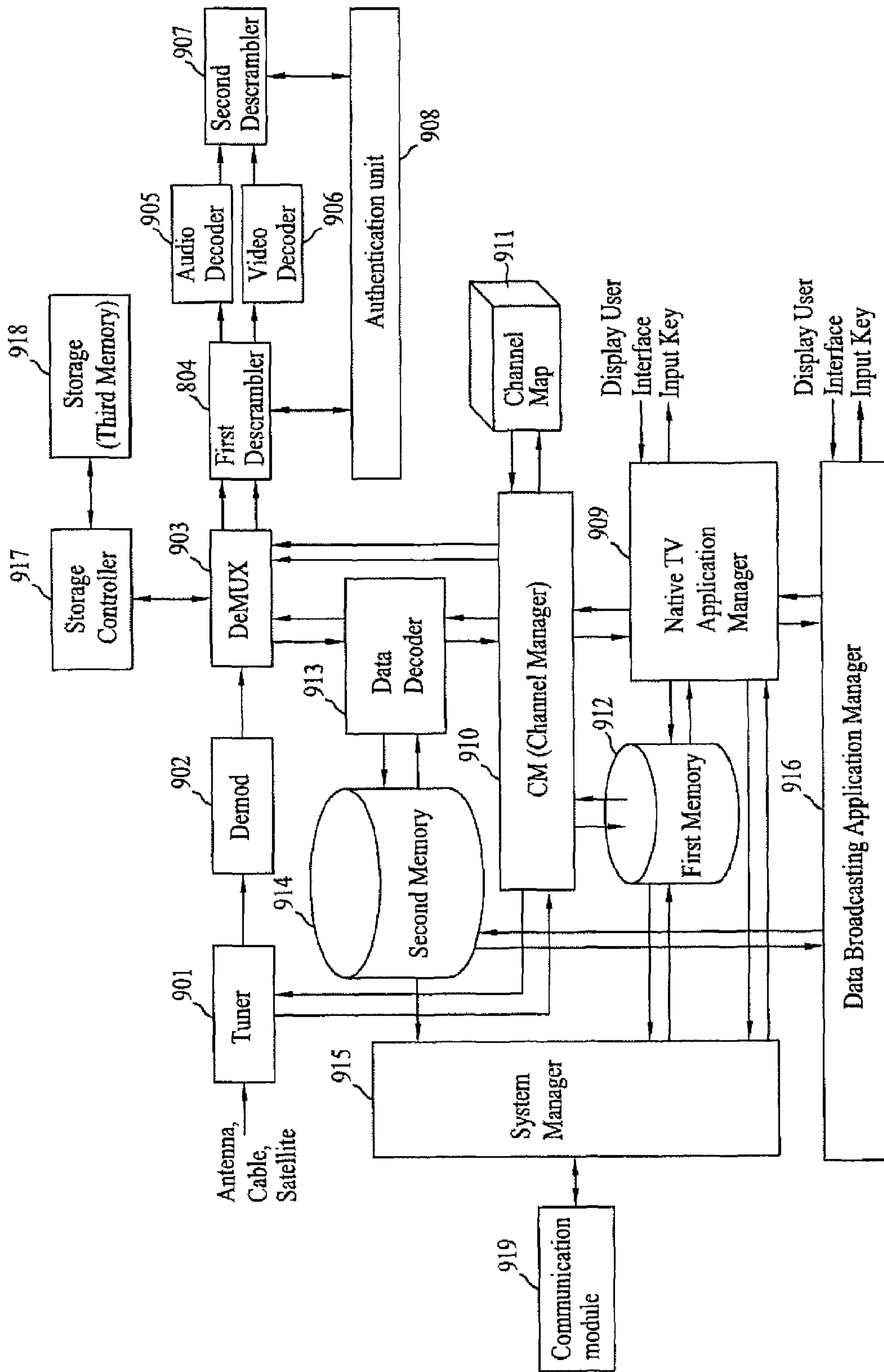


FIG. 12



**DTV TRANSMITTING SYSTEM AND
RECEIVING SYSTEM AND METHOD OF
PROCESSING BROADCAST DATA**

Matter enclosed in heavy brackets [] appears in the original patent but forms no part of this reissue specification; matter printed in italics indicates the additions made by reissue; a claim printed with strikethrough indicates that the claim was canceled, disclaimed, or held invalid by a prior post-patent action or proceeding.

This application is a reissue application of U.S. Pat. No. 8,144,788 B2, issued from U.S. patent application Ser. No. 11/764,079, filed on Jun. 15, 2007, which claims the benefit of [the] earlier filing date and right of priority to Korean Patent Application No. 10-2006-0053884, filed on Jun. 15, 2006, [which is hereby incorporated by reference as if fully set forth herein. Also, this application claims the benefit of the] and Korean Patent Application No. 10-2006-0089736, filed on Sep. 15, 2006, [which is hereby incorporated by reference as if fully set forth herein. This application] and also claims the benefit of U.S. Provisional Application Ser. No. 60/884,006, filed on Jan. 8, 2007, [which is] the contents of all of which are hereby incorporated by reference herein in their entireties.

BACKGROUND OF THE INVENTION

1. Field of the Invention

The present invention relates to a digital television (DTV) systems and methods of processing broadcast data.

2. Discussion of the Related Art

Presently, the technology for processing digital signals is being developed at a vast rate, and, as a larger number of the population uses the Internet, digital electric appliances, computers, and the Internet are being integrated. Therefore, in order to meet with the various requirements of the users, a system that can transmit diverse supplemental information in addition to video/audio data through a digital television channel needs to be developed.

Some users may assume that supplemental data broadcasting would be applied by using a PC card or a portable device having a simple in-door antenna attached thereto. However, when used indoors, the intensity of the signals may decrease due to a blockage caused by the walls or disturbance caused by approaching or proximate mobile objects. Accordingly, the quality of the received digital signals may be deteriorated due to a ghost effect and noise caused by reflected waves. However, unlike the general video/audio data, when transmitting the supplemental data, the data that is to be transmitted should have a low error ratio. More specifically, in case of the video/audio data, errors that are not perceived or acknowledged through the eyes or ears of the user can be ignored, since they do not cause any or much trouble. Conversely, in case of the supplemental data (e.g., program execution file, stock information, etc.), an error even in a single bit may cause a serious problem. Therefore, a system highly resistant to ghost effects and noise is required to be developed.

The supplemental data are generally transmitted by a time-division method through the same channel as the video/audio data. However, with the advent of digital broadcasting, digital television receiving systems that receive only video/audio data are already supplied to the market. Therefore, the supplemental data that are transmitted through the same channel as the video/audio data should not influence the conventional receiving systems that are provided in the market. In other

words, this may be defined as the compatibility of broadcast system, and the supplemental data broadcast system should be compatible with the broadcast system. Herein, the supplemental data may also be referred to as enhanced data. Furthermore, in a poor channel environment, the receiving performance of the conventional receiving system may be deteriorated. More specifically, resistance to changes in channels and noise is more highly required when using portable and/or mobile receivers.

SUMMARY OF THE INVENTION

Accordingly, the present invention is directed to a digital television (DTV) transmitting system and a DTV receiving system and a method of processing broadcast data that substantially obviate one or more problems due to limitations and disadvantages of the related art.

An object of the present invention is to provide a digital television (DTV) transmitting system and a DTV receiving system and a method of processing broadcast data that are highly resistant to channel changes and noise.

Another object of the present invention is to provide a digital television (DTV) transmitting system and a DTV receiving system and a method of processing broadcast data that can also enhance the receiving performance of a digital broadcast receiving system by inserting known data already known in accordance with a pre-agreement between the receiving system and the transmitting system in a predetermined area within a data section.

A further object of the present invention is to provide a digital television (DTV) transmitting system and a DTV receiving system and a method of processing broadcast data that can efficiently transmit and receive various transmission parameters associated to transmitting signals.

Additional advantages, objects, and features of the invention will be set forth in part in the description which follows and in part will become apparent to those having ordinary skill in the art upon examination of the following or may be learned from practice of the invention. The objectives and other advantages of the invention may be realized and attained by the structure particularly pointed out in the written description and claims hereof as well as the appended drawings.

To achieve these objects and other advantages and in accordance with the purpose of the invention, as embodied and broadly described herein, a digital television (DTV) transmitting system includes a frame encoder, a data randomizing and expanding unit, a group formatter, a block processor, a data deinterleaver, and a packet formatter. The frame encoder builds an enhanced data frame, encodes the enhanced data frame for error correction, and permutes a plurality of encoded enhanced data frames. The data randomizing and expanding unit randomizes the permuted enhanced data and expands the randomized enhanced data at an expansion rate of 1/N1. The group formatter forms a group of enhanced data having head, body, and tail regions, and inserts the expanded enhanced data into at least one of the head, body, and tail regions. In addition, the group formatter further inserts transmission parameters into the body region only. For example, the group formatter may insert a known data sequence into a predetermined known data region in the body region and may insert the transmission parameters into a portion of the known data region. The block processor codes the group of enhanced data at a coding rate of 1/N1. The data deinterleaver deinterleaves the enhanced data coded with the coding rate of 1/N1. The packet formatter formats the deinterleaved enhanced data into enhanced data packets.

In another aspect of the present invention, a digital television (DTV) receiving system includes a tuner, a demodulator, a channel equalizer, a block decoder, a data deformatter, and a frame decoder. The tuner tunes to a channel to receive a digital broadcast signal including enhanced and main data which are multiplexed according to a predetermined multiplexing rule. The demodulator demodulates the digital broadcast signal. The equalizer compensates channel distortion of the demodulated signal. The block decoder decodes each block of enhanced data in the channel-equalized signal and outputs a group of decoded enhanced data having head, body, tail regions. The data deformatter detects transmission parameters from the body region of the group of decoded enhanced data, and deformats the group of enhanced data. The frame decoder performs reverse permutation on the deformatted enhanced data and decodes the permuted enhanced data for error correction.

It is to be understood that both the foregoing general description and the following detailed description of the present invention are exemplary and explanatory and are intended to provide further explanation of the invention as claimed.

BRIEF DESCRIPTION OF THE DRAWINGS

The accompanying drawings, which are included to provide a further understanding of the invention and are incorporated in and constitute a part of this application, illustrate embodiment (s) of the invention and together with the description serve to explain the principle of the invention. In the drawings:

FIG. 1 illustrates a block diagram of a digital broadcast transmitting system according to an embodiment of the present invention;

FIG. 2 and FIG. 3 illustrate examples of inserting and transmitting transmission parameters in an enhanced data area according to the present invention;

FIG. 4 illustrates an example of inserting and transmitting a transmission parameter in a known data area according to the present invention;

FIG. 5 illustrates an example of inserting and transmitting a transmission parameter in a field synchronization segment area according to the present invention;

FIG. 6 illustrates a block diagram of a demodulator of a digital broadcast receiving system according to an embodiment of the present invention;

FIG. 7 illustrates a block diagram showing the structure of a transmitting system according to yet another embodiment of the present invention;

FIG. 8 and FIG. 9 illustrate an example of data configuration at before and after ends of a data deinterleaver in a transmitting system according to the present invention;

FIG. 10 illustrates a block diagram showing a general structure of a demodulating unit within a receiving system according to another embodiment of the present invention;

FIG. 11 illustrates a block diagram showing the structure of a receiving system according to an embodiment of the present invention; and

FIG. 12 illustrates a block diagram showing the structure of a receiving system according to another embodiment of the present invention.

DETAILED DESCRIPTION OF THE INVENTION

Reference will now be made in detail to the preferred embodiments of the present invention, examples of which are illustrated in the accompanying drawings. Wherever pos-

sible, the same reference numbers will be used throughout the drawings to refer to the same or like parts. In addition, although the terms used in the present invention are selected from generally known and used terms, some of the terms mentioned in the description of the present invention have been selected by the applicant at his or her discretion, the detailed meanings of which are described in relevant parts of the description herein. Furthermore, it is required that the present invention is understood, not simply by the actual terms used but by the meaning of each term lying within.

In the present invention, the enhanced data may either consist of data including information such as program execution files, stock information, weather forecast, and so on, or consist of video/audio data. Additionally, the known data refer to data already known based upon a pre-determined agreement between the transmitting system and the receiving system. Furthermore, the main data consist of data that can be received from the conventional receiving system, wherein the main data include video/audio data. Herein, a variety of transmission parameters associated to signals transmitted from the transmitting system (e.g., main data, known data, and enhanced data) may exist. And, in order to allow the receiving system to correctly and properly receive a transmitted signal, the receiving system should be aware of the transmission parameters of the transmitted signal. For example, information on the method according to which the signals of the symbol area have been encoded in order to transmit the enhanced data is required. Additionally, information on the multiplexing method according to which the main data and enhanced data or a plurality of enhanced data types have (or has) been multiplexed. In the description of the present invention, such information will be referred to as transmission parameters.

Additionally, when grouping enhanced data packets configured by including at least one of enhanced data and known data and transmitting the grouped enhanced data packets by burst units, information associated to the group, such as the number of groups within a burst and the reference numeral (or numbering) of each group, and information associated to the burst, such as the time to the next burst, are also required. In the description of the present invention, such information will also be referred to as transmission parameters. The type of transmission parameters may be added or deleted to the transmission parameters in accordance with the method of the transmitting system. The present invention relates to having the transmitting system transmit such transmission parameters, and to having the receiving system receive such transmitted transmission parameters. The digital broadcast transmitting system may insert and transmit transmission parameters in diverse positions using diverse methods.

According to a first embodiment of the present invention, the transmission parameter may be inserted by allocating a predetermined area of the enhanced data packet or data group. In this case, the transmission parameters are recognized and treated equally as the enhanced data. For example, if the enhanced data are encoded at a coding rate of $M1/N1$, the transmission parameters are also encoded at the coding rate of $M1/N1$. According to a second embodiment of the present invention, the transmission parameter may be multiplexed with another type of data. For example, when known data are multiplexed with the enhanced data, a transmission parameter may be inserted, instead of the known data, in a place (or position) where a known data byte is to be inserted. Alternatively, the transmission parameter may be mixed with the known data and then inserted in the place where the known data byte is to be inserted. According to a third embodiment of the present invention, the transmission parameter may be

inserted by allocating a portion of a reserved area within a field synchronization segment of a transmission frame.

In the present invention, the variety of transmission parameters associated with the transmission signal may be inserted and transmitted by using the above-described methods according to the first to fourth embodiment of the present invention. At this point, the transmission parameter may be inserted and transmitted by using only one of the four embodiments described above, or by using a selection of the above-described embodiments, or by using all of the above-described embodiments. Furthermore, the information included in the transmission parameter may be duplicated and inserted in each embodiment. Alternatively, only the required information may be inserted in the corresponding position of the corresponding embodiment and then transmitted. Furthermore, in order to ensure robustness of the transmission parameter, a block encoding process of a short cycle (or period) may be performed on the transmission parameter and, then, inserted in a corresponding area. The method for performing a short-period block encoding process on the transmission parameter may include, for example, Kerdock encoding and repetition encoding of the transmission parameter. Also, a combination of a plurality of block encoding methods may also be performed on the transmission parameter.

Meanwhile, when the transmission parameter is inserted in the field synchronization segment area or the known data area and then transmitted, and when the transmission parameter has passed through the transmission channel, the reliability of the transmission parameter is deteriorated. Therefore, one of a plurality of pre-defined patterns may also be inserted in accordance with the corresponding transmission parameter. Herein, the receiving system performs a correlation calculation between the received signal and the pre-defined patterns so as to recognize the transmission parameter. For example, it is assumed that a burst including 5 data groups is pre-decided as pattern A based upon an agreement between the transmitting system and the receiving system. In this case, the transmitting system inserts and transmits pattern A, when the number of groups within the burst is equal to 5. Thereafter, the receiving system calculates a correlation between the received data and a plurality of reference patterns including pattern A, which was created in advance. At this point, if the correlation value between the received data and pattern A is the greatest, the received data indicates the corresponding parameter, and most particularly, the number of groups within the burst. At this point, the number of groups may be acknowledged as 5.

FIG. 1 illustrates an example of a digital broadcast transmitting system according to the present invention for transmitting transmission parameters. The transmitting system of FIG. 1 is merely exemplary proposed to facilitate the understanding of the present invention. Herein, any transmitting system that requires the transmission of transmission parameters may be adopted in the present invention. Therefore, the present invention is not limited to the example proposed in the description set forth herein.

The digital broadcast transmitting system of FIG. 1 includes a pre-processor 110, a packet multiplexer 121, a data randomizer 122, a RS encoder/non-systematic RS encoder 123, a data interleaver 124, a parity replacer 125, a non-systematic RS encoder 126, a trellis encoding module 127, a frame multiplexer 128, and a transmitting unit 130. The pre-processor 110 includes a RS frame encoder 111, a randomizer and byte expanding unit 112, a group formatter 113, a block processor 114, a data deinterleaver 115, and a packet format-

ter 116. For example, the transmission parameters may be inserted and transmitted by the group formatter 113 (i.e., the first embodiment). The transmission parameter may also be inserted and transmitted by the packet formatter 116 (i.e., the second embodiment). Finally, the transmission parameter may also be inserted and transmitted by the frame multiplexer 128 (i.e., the third embodiment).

In the above-described structure of the present invention, the main data are inputted to the packet multiplexer 121, and the enhanced data are inputted to the pre-processor 110, which performs additional encoding so that the enhanced data can respond more effectively to noise and channel environment that undergoes frequent changes. The pre-processor 110 of the RS frame encoder 111 sequentially performs the RS encoding process and the row permutation process on the enhanced data that are inputted, and a CRC encoding process may be performed whenever required. Thereafter, the processed enhanced data are outputted to the randomizer and byte expanding unit 112.

For example, the RS frame encoder 111 performs at least one of an error correction encoding process and an error detection encoding process on the inputted enhanced data so as to provide robustness on the corresponding data. Herein, RS encoding is applied as the error correction encoding process, and cyclic redundancy check (CRC) encoding is applied as the error detection encoding process. When performing RS encoding, parity data that are to be used for error correction are generated. And, when performing CRC encoding, CRC data that are to be used for error detection are generated. Furthermore, by scattering a group error that may occur due to a change in the frequency environment, the RS frame encoder 111 may also perform a row permutation process, which permutes enhanced data having a predetermined size in row units, so that the corresponding data can respond to the severely vulnerable and frequently changing frequency environment.

The randomizer and byte expanding unit 112 receives the encoded enhanced data. Then, the randomizer and byte expanding unit 112 randomizes the received enhanced data and performs byte expansion on the randomized enhanced data by inserting null data. At this point, by having the randomizer and byte expanding unit 112 randomize the enhanced data, a later randomizing process on the enhanced data performed by a randomizer 122, which is positioned in a later block, may be omitted. The randomizer of the conventional ATSC system may be identically used as the randomizer for randomizing the enhanced data. Alternatively, any other type of randomizer may also be used for this process.

Herein, the byte expansion process may vary depending upon the coding rate of the block processor 114 positioned in a later block. More specifically, when the block processor 114 encodes the randomized enhanced data at a coding rate of $M1/N1$, the byte expansion unit expands $M1$ bytes to $N1$ bytes. For example, if 1 bit of the enhanced data is encoded to 2 bits and outputted, then $M1$ is equal to 1 and $N1$ is equal to 2 (i.e., $M1=1$ and $N1=2$). Alternatively, if 1 bit of the enhanced data is encoded to 4 bits and outputted, then $M1$ is equal to 1 and $N1$ is equal to 4 (i.e., $M1=1$ and $N1=4$). The enhanced data being outputted from the randomizer and byte expanding unit 112 are inputted to the group formatter 113. The group formatter 113 configures a data group based upon a pre-defined rule. Thereafter, the received enhanced data are inserted in a corresponding area within the configured data group, which are then outputted to the block processor 114. At this point, the data group may be divided into at least one hierarchical area. Herein, the type of enhanced data being allocated to each hierarchical area may vary in accordance with the characteristics of the corresponding hierarchical layer.

In the example set forth in the description of the present invention, with respect to the data configuration prior to the data deinterleaving process, the enhanced data group may be divided into 3 hierarchical areas: a head area, a body area, and a tail area. More specifically, based on the data group being inputted so as to be data-deinterleaved and outputted, the portion being outputted first corresponds to the head area, the portion being outputted next corresponds to the body area, and the portion being outputted last corresponds to the tail area. For example, with respect to the data group being inputted to the data deinterleaver **115**, data may be allocated to each the head, body, and tail areas of the data group so that the body area is entirely configured of the enhanced data, thereby preventing the enhanced data from being mixed with the main data in the body area.

The data group is divided into 3 different areas so that each area may function and be used differently. More specifically, the body area is allocated with enhanced data only so as to prevent any interference with the main data from occurring, thereby enabling more robust and effective receiving performance. On the other hand, in the head and tail areas, the enhanced data are mixed with the main data in accordance with the output order of the data from the interleaver. Thus, the receiving performance of the head and tail areas may be deteriorated as compared to that of the body area. Further, if a system inserting known data in the data group and outputting the known data inserted enhanced data group is used, and when a consecutively long set of known data is to be periodically inserted in the enhanced data, such known data may be inserted in the area where the enhanced data are not mixed with the main data based on the input order of the data deinterleaver **115**. In other words, known data having a constant pre-determined length may be periodically inserted in the body area. However, it is difficult to periodically insert such known data having a constant pre-determined length in the head area and/or the tail area.

Therefore, the group formatter **113** inserts the inputted enhanced data in the corresponding area within the enhanced data group configured as described above. For example, the group formatter **113** allocates the received enhanced data to the body area. Also, with respect to the data deinterleaving process, the group formatter **113** inserts a MPEG header place holder, a non-systematic RS parity place holder, and a main data place holder. Herein, the main data place is allocated because the enhanced data are mixed with the main data in the head and tail areas, based upon the input from the data deinterleaver **115**. Also, with respect to the output data after being data-deinterleaved, the place holder for the MPEG header is allocated at the beginning of each packet. As described above, in accordance with a rule for configuring a data group, the group formatter **113** inserts the inputted enhanced data in corresponding areas within the data group. Also, with respect to the data deinterleaving process, the group formatter **113** inserts a MPEG header place holder, a non-systematic RS parity place holder, and a main data place holder.

The group formatter **113** may either insert the known data generated by a pre-decided method in a corresponding area or insert known data place holders for inserting the known data in a later process in a corresponding area. At this point, initialization place holders for initializing a trellis encoding module **127** may also be inserted in a corresponding area. For example, the initialization place holders may be inserted at the beginning of each known data sequence. Furthermore, apart from the data being inserted as described above, the group formatter **113** may also separately insert the above-described transmission parameters in the body area within the

data group. At this point, the transmission parameters may include information required for the receiving system to receive and process the data being included in the data group. For example, the transmission parameters may include data group information and multiplexing information.

According to an embodiment of the present invention, the transmission parameters may be processed with a block encoding process of a short cycle period and then inserted in the body area. Particularly, the transmission parameters may be inserted in a pre-decided position within the body area. Thus, the transmission parameters inserted as described above are encoded at a coding rate of $M1/N1$ by the block processor **114** just as the enhanced data. Finally, in order to perform an additional encoding process on the transmission parameters at a coding rate of $M1/N1$, a process of expanding the bytes by inserting null data is also required.

FIG. 2 and FIG. 3 illustrate examples of inserting and transmitting transmission parameters in an enhanced data area according to the present invention. More specifically, FIG. 2 illustrates an example of the randomizer and byte expanding unit **112** performing randomizing and byte expansion processes on the enhanced data and transmission parameters. Thereafter, the processed data are outputted to the group formatter **113**, which are then inserted in a corresponding area within the data group. And, FIG. 3 illustrates an example of performing both randomizing and byte expansion processes on the enhanced data and performing only the byte expansion process on the transmission parameters. In order to do so, the randomizer and byte expanding unit **112** receives the enhanced data and performs both randomizing and byte expansion process, thereby outputting the processed enhanced data to the group formatter **113**. The byte expansion unit **201** receives the transmission parameters and performs a byte expansion process on the received transmission parameters, thereby outputting the processed transmission parameters to the group formatter **113**. The group formatter **113** inserts the inputted enhanced data and transmission parameters in corresponding areas within the data group in accordance with a predetermined rule.

At this point, since the transmission parameter may be inserted at a fore end of the block processor **114**, the receiving system performs synchronization and equalization on a received signal, which is then decoded by symbol units. Thereafter, a decoding process is performed in symbol units so that the enhanced data and the transmission parameter may be separated and then detected. Accordingly, the group formatter **113** inserts and outputs the transmission parameters in a predetermined area within the enhanced data group or packet, the transmission parameters including the processing method of a current symbol. In this case, the receiving system performs only the verification process of the transmission parameter corresponding to the currently received data. More specifically, when the transmission parameters are inserted in the enhanced data area, the receiving system may be able to recognize (or acknowledge) the transmission parameters after the block decoding process has been performed. Accordingly, the type of transmission parameters being inserted in the enhanced data are is limited. Further, if information on the method of encoding the current enhanced data is included, only the process of verifying the received symbols is performed. However, since the additional encoding process leads to a more enhanced receiving performance, the receiving system may be effectively used for transmitted the transmission parameters that should only be received with stability.

Meanwhile, when the group formatter **113** inserts known data generated by a pre-decided method in a corresponding

area within the data group, transmission parameters may be inserted instead of the known data in at least a portion of the area wherein known data may be inserted. For example, when a long known data sequence is inserted at the beginning portion of the body area within the data group, transmission parameters may also be inserted instead of the known data in a portion of this area. At this point, a portion of the known data sequence excluding the portion having transmission parameters inserted therein may be used by the receiving system for detecting a starting point of the data group, and another portion of the known data sequence may be used by the receiving system for performing channel equalization. Furthermore, when transmission parameters are inserted in the known data area instead of the known data, the transmission parameters may be inserted after being block decoded at a short period. Herein, pre-defined patterns may also be inserted in accordance with the transmission parameters as described above.

Meanwhile, the block processor 114 does not perform any additional encoding on the symbols having the characteristics of the main data and known data. Accordingly, the block processor 114 outputs the corresponding symbols without any data modification. Therefore, when the transmission parameters are inserted in the known data area, the block processor 114 directly outputs the transmission parameters without performing any additional encoding on the transmission parameters. If the group formatter 113 inserts a known data place holder instead of the known data in the area within the data group wherein known data may be inserted, the transmission parameters may also be inserted by the packet

formatter 116. As described above, the data group having data or data place holders or transmission parameters inserted therein from the group formatter 113 is then inputted to the block processor 114. Herein, when required, enhanced data or other types of information data or data used for helping the enhanced data may be inserted in the head and tail areas. The block processor 114 encodes the data having the characteristics of the enhanced data within the data group, which is outputted from the group formatter 114, at a coding rate of $M1/N1$. Then, the block processor 114 outputs the $M1/N1$ -rate encoded data to the data deinterleaver 115. For example, if 1 bit of the enhanced data is encoded to 2 bits and outputted, then $M1$ is equal to 1 and $N1$ is equal to 2 (i.e., $M1=1$ and $N1=2$). Alternatively, if 1 bit of the enhanced data is encoded to 4 bits and outputted, then $M1$ is equal to 1 and $N1$ is equal to 4 (i.e., $M1=1$ and $N1=4$).

The data deinterleaver 115 deinterleaves data by performing an inverse process of the data interleaver on the data group being inputted. The deinterleaved data group is then outputted to the packet formatter 116. The packet formatter 116 removes the main data place holders and the RS parity place holders that were allocated for the deinterleaving process from the deinterleaved data that are being inputted. Then, the packet formatter 116 groups the remaining portion and replaces the MPEG header place holder with an MPEG header having a null packet PID (or an unused PID from the main service data packet). Also, when the group formatter 113 inserts known data place holders, the packet formatter 116 may insert actual known data in the known data place holders. Alternatively, if the known data are inserted from the group formatter 113, the packet formatter 116 may directly output the known data place holders without any modification. If it is assumed that the packet formatter 116 inserts and outputs the known data in the known data place holders, the present invention may insert and output transmission parameters instead of the known data.

FIG. 4 illustrates a block diagram showing the structure of a packet formatter 116 being expanded so that the packet formatter 116 can insert the transmission parameters according to an embodiment of the present invention. More specifically, the structure of the packet formatter 116 further includes a known data generator 301 and a signaling multiplexer 302. The signaling multiplexer 302 selects one of the known data generated from the known data generator 301 and the transmission parameters and, then, outputs the selected data to the packet formatter 116. The packet formatter 116 inserts the known data or transmission parameter outputted from the signaling multiplexer 302 into the known data place holders outputted from the data deinterleaver 115. Then, the packet formatter 116 outputs the processed data. More specifically, the packet formatter 116 inserts a transmission parameter in at least a portion of the known data area instead of the known data, which is then outputted. For example, when a known data place holder is inserted at a beginning portion of the body area within the data group, a transmission parameter may be inserted in a portion of the known data place holder instead of the actual known data.

Also, when the transmission parameter is inserted in the known data place holder instead of the known data, the transmission parameter may be block encoded in short periods and inserted. Alternatively, a pre-defined pattern may be inserted in accordance with the transmission parameter. More specifically, the signaling multiplexer 302 multiplexes the known data and the transmission parameter (or the pattern defined by the transmission parameter) so as to configure a new known data sequence. Then, the signaling multiplexer 302 outputs the newly configured known data sequence to the packet formatter 116. The packet formatter 116 deletes the main data place holder and RS parity place holder from the output of the data deinterleaver 115, and creates an enhanced data packet of 188 bytes by using the enhanced data, MPEG header, and the output of the signaling multiplexer 302. Then, the packet formatter 116 outputs the newly created enhanced data packet to the packet multiplexer 121.

In this case, the body area of each data group has a different known data pattern. Therefore, the receiving system separates only the symbol in a pre-arranged section of the known data sequence and recognizes the separated symbol as the transmission parameter. Herein, depending upon the design of the transmitting system, the known data may be inserted in different blocks, such as the packet formatter 116, the group formatter 113, or the block processor 114. Therefore, a transmission parameter may be inserted instead of the known data in the block wherein the known data are to be inserted. Meanwhile, although the block processor 114 is provided between the group formatter 113 and the data deinterleaver 115, as shown in FIG. 1, according to other embodiments of the present invention, the block processor 114 may either be positioned before the group formatter 113 or be positioned after the packet multiplexer 121.

The packet multiplexer 121 multiplexes the 188-byte unit enhanced data packet, which is outputted from the packet formatter 116, with a main data packet in accordance with a pre-defined multiplexing method. Then, the packet multiplexer 121 outputs the multiplexed data to the data randomizer 122. The multiplexing method may be adjusted in accordance with a plurality of variables of the system design. One of the multiplexing methods of the packet multiplexer 121 is to identify an enhanced data burst section and a main data section along a time axis and alternately repeating the two sections. At this point, at least one enhanced data group may be transmitted from the enhanced data burst section, and only the main data may be transmitted from the main data section.

11

Herein, the enhanced data burst section may also transmit main data. In this case, the receiving system requires the transmission parameters.

As described above, if the enhanced data are transmitted in the burst structure, the receiving system receiving only the enhanced data turns the power on only during the burst section in order to receive the enhanced data. Alternatively, the receiving system turns the power off during the remaining section, which corresponds to the main data section transmitting only the main data, so that the receiving system does not receive any portion of the main data. Thus, power consumption of the receiving system may be reduced.

If the inputted data correspond to the main data packet, the data randomizer **122** performs the same randomizing process as the conventional randomizer. More specifically, the data randomizer **122** discards (or removes) the MPEG synchronization byte included in the main data packet and randomizes the remaining 187 byte by using a pseudo random byte that is generated by the data randomizer **122**. Then, the randomized data bytes are outputted to the RS encoder/non systematic RS encoder **123**. However, if the inputted data correspond to the enhanced data packet, the data randomizer **522** discards (or removes) the MPEG synchronization byte from the 4-byte MPEG header included in the enhanced data packet and randomizes only the remaining 3 bytes. Also, the data randomizer **122** outputs the remaining portion of enhanced data excluding the MPEG header to the RS encoder/non-systematic RS encoder **123** without performing the randomizing process. This is because the randomizer **111** has already performed a randomizing process on the enhanced data in an earlier process. The known data and the initialization data place holders included in the enhanced data packet may either be randomized or not be randomized.

The RS encoder/non-systematic RS encoder **123** RS-encodes the data randomized by the data randomizer **122** or the data bypassing the data randomizer **122** so as to add 20 bytes of RS parity to the corresponding data. Then, the RS encoder/non-systematic RS encoder **123** outputs the processed data to the data interleaver **124**. At this point, if the inputted data correspond to the main data packet, the RS encoder/non-systematic RS encoder **123** performs a systematic RS-encoding process identical to that of the conventional broadcasting system, thereby adding 20 bytes of RS parity at the end of the 187-byte unit data. Alternatively, if the inputted data correspond to the enhanced data packet, the RS encoder/non-systematic RS encoder **123** performs a non-systematic RS-encoding process at a specific parity byte place within the enhanced data packet, thereby inserting the 20-byte RS parity. Herein, the data interleaver **124** corresponds to a byte unit convolutional interleaver. The output of the data interleaver **124** is inputted to the parity replacer **125** and the non-systematic RS encoder **126**.

Meanwhile, a process of initializing a memory within the trellis encoding module **127** is primarily required in order to decide the output data of the trellis encoding module **127**, which is located after the parity replacer **125**, as the known data pre-defined according to an agreement between the receiving system and the transmitting system. More specifically, the memory of the trellis encoding module **127** should first be initialized before the received known data sequence is trellis-encoded. The memory of the trellis encoding module **127** is initialized because various types of sequences may be outputted depending upon the memory status of the trellis encoding module **127**, even though the known data sequence is inputted to the trellis encoding module **127**.

At this point, the beginning portion of the known data sequence that is being received corresponds to the initializa-

12

tion data place holder and not the actual known data. Herein, the initialization data place holder has been included in the data by the group formatter **114** in an earlier process. Therefore, the process of generating initialization data and replacing the initialization data place holder of the corresponding memory with the generated initialization data are required to be performed immediately before the known data sequence being inputted is trellis-encoded.

Additionally, a value of the initialization data is decided and generated based upon a memory status of the trellis encoding module **127**. Further, due to the newly replaced initialization data, a process of newly calculating the RS parity and replacing the RS parity, which is outputted from the data interleaver **124**, with the newly calculated RS parity is required. Therefore, the non-systematic RS encoder **126** receives the enhanced data packet including the initialization data place holder, which is to be replaced with the actual initialization data, from the data interleaver **124** and also receives the initialization data from the trellis encoding module **127**. Among the inputted enhanced data packet, the initialization data place holder is replaced with the initialization data, and the RS parity data that are added to the enhanced data packet are removed. Thereafter, a new non-systematic RS parity is calculated and outputted to the parity replacer **125**. Accordingly, the parity replacer **125** selects the output of the data interleaver **124** as the data within the enhanced data packet, and the parity replacer **125** selects the output of the non-systematic RS encoder **126** as the RS parity. The selected data are then outputted to the trellis encoding module **127**.

Meanwhile, if the main data packet is inputted or if the enhanced data packet, which does not include any initialization data place holder that is to be replaced, is inputted, the parity replacer **125** selects the data and RS parity that are outputted from the data interleaver **124**. Then, the parity replacer **125** directly outputs the selected data to the trellis encoding module **127** without any modification. The trellis encoding module **127** receives the output data of the parity replacer **125** or the initialization data and converts the received data to symbol units. Then, the trellis encoding module **127** pre-codes the upper bit of the converted symbol and trellis-encodes the lower bit of the converted symbol. Thereafter, trellis encoding module **127** outputs the processed data to the frame multiplexer **128**. The frame multiplexer **128** inserts a field synchronization signal and a segment synchronization signal to the data outputted from the trellis encoding module **127** and, then, outputs the processed data to the transmitting unit **130**.

The frame multiplexer **128** inserts 4 segment synchronization symbols in each 828 symbols outputted from the trellis encoding module **127** so as to configure a data segment of 832 symbols. The frame multiplexer **128** also inserts one field synchronization symbol in each 312 data segment so as to configure a data field consisting of 313 data segments. Thereafter, the frame multiplexer **128** outputs the processed symbols to the transmitting unit **130**. Herein, the transmitting unit **130** includes a pilot inserter **131**, a modulator **132**, and a radio frequency (RF) up-converter **133**. The operations and roles of the transmitting unit **130** and its components are identical to those of the conventional transmitter. Therefore, detailed description of the same will be omitted for simplicity.

Meanwhile, the transmission parameters may also be transmitted by being inserted in the field synchronization segment area. FIG. 5 illustrates a block diagram showing a frame multiplexer being expanded in order to allow the transmission parameter to be inserted in the field synchronization segment area. Herein, a signaling multiplexer **401** is further included in the frame multiplexer **128**. The general transmis-

sion parameter is configured of 2 fields. More specifically, each field is configured of one field synchronization segment and 312 data segments. Herein, the first 4 symbols of a data segment correspond to the segment synchronization portion, and the first data segment of each field corresponds to the field synchronization portion.

One field synchronization signal is configured to have the length of one data segment. The data segment synchronization pattern exists in the first 4 symbols, which are then followed by pseudo random sequences PN 511, PN 63, PN 63, and PN 63. The next 24 symbols include information associated with the VSB mode. Additionally, the 24 symbols that include information associated with the VSB mode are followed by the remaining 104 symbols, which are reserved symbols. Herein, the last 12 symbols of a previous segment are copied and positioned as the last 12 symbols in the reserved area. In other words, only the 92 symbols in the field synchronization segment are the symbols that correspond to the actual reserved area.

Therefore, the signaling multiplexer 401 multiplexes the transmission parameter with an already-existing field synchronization segment symbol, so that the transmission parameter can be inserted in the reserved area of the field synchronization segment. Then, the signaling multiplexer 401 outputs the multiplexed transmission parameter to the frame multiplexer 128. The frame multiplexer 128 multiplexes the segment synchronization symbol, the data symbols, and the new field synchronization segment outputted from the signaling multiplexer 401, thereby configuring a new transmission frame. The transmission frame including the field synchronization segment, wherein the transmission parameter is inserted, is outputted to the transmitting unit. At this point, the reserved area within the field synchronization segment for inserting the transmission parameter may correspond to a portion of or the entire 92 symbols of the reserved area. Furthermore, the transmission parameter may also be inserted by being processed within a short block encoding process, and a pre-defined constant pattern may also be inserted in the transmission parameter.

FIG. 6 illustrates a block diagram showing a demodulating unit of a digital broadcast receiving system according to an embodiment of the present invention, wherein the demodulating unit is used for receiving data including the above-described transmission parameter that are transmitted from the transmitting system, and for demodulating and equalizing the received data, so as to recover the processed data back to the initial (or original) data. Referring to FIG. 6, the demodulating unit of the digital broadcast receiving system includes a demodulator 501, an equalizer 502, a known data detector 503, a block decoder 504, a data deformatter 505, a RS frame decoder 506, a data deinterleaver 507, a RS decoder 508, a derandomizer 509, and a parameter detector 510.

More specifically, an intermediate frequency (IF) signal of a particular channel that is tuned by a tuner is inputted to the demodulator 501 and the known data detector 503. The demodulator 501 performs self gain control, carrier recovery, and timing recovery processes on the inputted IF signal, thereby modifying the IF signal to a baseband signal. Then, the demodulator 501 outputs the newly created baseband signal to the equalizer 502 and the known data detector 503. The equalizer 502 compensates the distortion of the channel included in the demodulated signal and then outputs the error-compensated signal to the block decoder 504. If the transmission parameters associated with the known data, the enhanced data packet group, the burst, and the multiplexing rule are inserted in the field synchronization segment area or in the

known data area and then transmitted, the corresponding information is outputted to the transmission parameter parser 510.

At this point, the known data detector 503 detects the known sequence place inserted by the transmitting end from the input/output data of the demodulator 501 (i.e., the data prior to the demodulation or the data after the modulation). Thereafter, the place information along with the symbol column of the known sequence, which is generated from the detected place, is outputted to the demodulator 501, the equalizer 502, and the block decoder 504. Also, the known data detector 503 outputs a set of information to the block decoder 504. This set of information is used to allow the block decoder 504 of the receiving system to identify the enhanced data that are processed with additional encoding from the transmitting system and the main data that are not processed with additional encoding. This set of information is also used to indicate a starting point of a block in the enhanced encoder. In addition, although the connection status is not shown in FIG. 6, the information detected from the known data detector 503 may be used throughout the entire receiving system and may also be used in the data deformatter 505 and the RS frame decoder 506.

The demodulator 501 uses the known data symbol column during the timing and/or carrier recovery, thereby enhancing the demodulating performance. Similarly, the equalizer 502 uses the known data sequence, thereby enhancing the equalizing performance. Moreover, the decoding result of the block decoder 504 may be fed-back to the equalizer 502, thereby enhancing the equalizing performance. Meanwhile, if the data that are inputted to the block decoder 504 from the equalizer 502 correspond to the enhanced data being processed with both additional encoding and trellis encoding by the transmitting system, trellis decoding and additional decoding processes are performed as inverse processes of the transmitting system. Alternatively, if the data that are inputted to the block decoder 504 from the equalizer 502 correspond to the main data being processed only with the trellis encoding process and not the additional encoding process, then only the trellis decoding process is performed. The data group decoded by the block decoder 504 is inputted to the data deformatter 505, and the trellis-decoded data are inputted to the data deinterleaver 507.

At this point, if the inputted data correspond to the main data, the block decoder 504 performs Viterbi decoding on the input data, so as to either output a hard decision value or to perform hard decision on a soft decision value and, accordingly, output the hard decided result. On the other hand, if the input data correspond to the enhanced data, the block decoder 504 outputs either a hard decision value or a soft decision value on the inputted enhanced data. If the inputted data correspond to the enhanced data, the block decoder 504 performs a decoding process on the data encoded by the block processor 114 and the trellis encoding module 127 of the transmitting system. At this point, the data outputted from the RS frame encoder 111 encoder of the processor 110 included in the transmitting system may correspond to an external code, and the data outputted from any one of the block processor 114 and the trellis encoding module 127 may correspond to an internal code. Therefore, in order to maximize the encoding performance of the external code when decoding such concatenated codes, a soft decision value should be outputted from the decoder of the internal code.

Accordingly, the block decoder 504 may output a hard decision value on the enhanced data. And, if required, it is preferable for the block decoder 504 to output a soft decision value. More specifically, depending upon the system design

or conditions, the block decoder **504** outputs any one of the soft decision value and the hard decision value with respect to the enhanced data, and the block decoder **504** outputs the hard decision value with respect to the main data. Meanwhile, the data deinterleaver **507**, the RS decoder **508**, and the derandomizer **509** are configuration blocks required for receiving the main data. Therefore, in a receiving system that is structured for receiving only the enhanced data, the above-mentioned configuration blocks may not be required in the structure.

The data deinterleaver **507** performs an inverse process of the data interleaver. In other words, the data deinterleaver **507** deinterleaves the main data and outputs the deinterleaved main data to the RS decoder **508**. The RS decoder **508** performs a systematic RS decoding process on the deinterleaved data and outputs the processed data to the derandomizer **509**. The derandomizer **509** receives the output of the RS decoder **508** and generates a pseudo random data byte identical to that of the randomizer included in the digital broadcast transmitting system (or DTV transmitter). Thereafter, the derandomizer **509** performs a bitwise exclusive OR (XOR) operation on the generated pseudo random data byte, thereby inserting the MPEG synchronization bytes to the beginning of each packet so as to output the data in 188-byte main data packet units.

Meanwhile, the data being outputted from the block decoder **504** to the data deformatter **505** are inputted in the form of a data group. The data deformatter **505** extracts the transmission parameters that are inserted and transmitted in the enhanced data area within the data group. Then, the data deformatter **505** outputs the extracted transmission parameters to the transmission (TX) parameter parser **510**. Herein, the extracted transmission parameters correspond to the transmission parameters that are inserted and transmitted in the enhanced data area within the data group by the group formatter **113** or packet formatter **116** of the transmitting system. The transmission parameter parser **510** extracts information associated with the known data, the enhanced data packet group, the burst, and the multiplexing rule from the multiplexed transmission parameters within the field synchronization segment and/or group. Then, the transmission parameter parser **510** outputs the extracted transmission parameters to the corresponding block. For example, if information on the processing method of the block processor within the transmitting system is included in the transmission parameter information that is parsed from the field synchronization segment, the block decoder **504** refers to this information from the transmission parameter parser **510** so as to perform the block decoding process in symbol units.

In addition, the data deformatter **505** removes the known data, trellis initialization data, and MPEG header that were inserted to the main data and the data group, and also removes the RS parity that was added from the RS encoder/non-systematic RS encoder **123** or non-systematic RS encoder **126** of the transmitting system. Then, the data deformatter **505** outputs the processed data to the RS frame decoder **506**. Thereafter, the data deformatter **505** performs an inverse process of the randomizer/byte expansion unit in the transmitting system by performing a derandomizing process and a null data removing process on the enhanced data. At this point, the null data which were inserted for data expansion may or may not be required to be removed. In other words, depending upon the design of the receiving system, a unit for removing the byte that was expanded by the byte expansion unit of the transmitting system may be required.

However, if the block decoder **504** removes the null data that were inserted at the time of the byte expansion and outputs the processed data, the expanded byte is not required

to be removed. If the expanded byte is required to be removed, the order of the process of removing the expanded data and the process of derandomizing the data may be changed depending upon the design of the transmitting system. More specifically, if byte expansion is performed after data-randomizing in the transmitting system, then data-derandomizing is performed after byte removal in the receiving system. Alternatively, if data-randomizing is performed after byte expansion in the transmitting system, then byte removal is performed after data-derandomizing in the receiving system. This principle is equally applied to the transmission parameters that are extracted from the data deformatter **505**.

Furthermore, during the derandomizing process, if the RS frame decoder **506** requires soft decision and, accordingly, receives the soft decision value from the block decoder **504**, it is difficult to perform a bitwise exclusive OR (XOR) operation between the soft decision value and the pseudo random bit, which is used for derandomizing. Therefore, when an XOR operation is performed between the pseudo random bit and the soft decision value of the enhanced data bit, and when the pseudo random bit is equal to '1', the data deformatter **505** changes the code of the soft decision value and then outputs the changed code. On the other hand, if the pseudo random bit is equal to '0', the data deformatter **505** outputs the soft decision value without any change in the code. Thus, the soft decision status may be maintained and transmitted to the RS frame decoder **506**.

If the pseudo random bit is equal to '1' as described above, the code of the soft decision value is changed because, when an XOR operation is performed between the pseudo random bit and the input data in the randomizer of the transmitting unit, and when the pseudo random bit is equal to '1', the code of the output data bit becomes the opposite of the input data (i.e., $0 \text{ XOR } 1=1$ and $1 \text{ XOR } 0=0$). More specifically, if the pseudo random bit generated from the data deformatter **505** is equal to '1', and when an XOR operation is performed on the hard decision value of the enhanced data bit, the XOR-operated value becomes the opposite value of the hard decision value. Therefore, when the soft decision value is outputted, a code opposite to that of the soft decision value is outputted. The RS frame decoder **506** performs an inverse process of the RS frame encoder included in the transmitting system. More specifically, the RS frame decoder **506** performs at least one of an error detection decoding process, an inverse row permutation process, and an error correction decoding process, thereby recovering the initial enhanced data.

FIG. 7 illustrates a block diagram showing the structure of a digital broadcast transmitting system according to an embodiment of the present invention. The digital broadcast (or DTV) transmitting system includes a pre-processor **610**, a packet multiplexer **621**, a data randomizer **622**, a Reed-Solomon (RS) encoder/non-systematic RS encoder **623**, a data interleaver **624**, a parity byte replacer **625**, a non-systematic RS encoder **626**, a frame multiplexer **628**, and a transmitting system **630**. The pre-processor **610** includes an enhanced data randomizer **611**, a RS frame encoder **612**, a block processor **613**, a group formatter **614**, a data deinterleaver **615**, and a packet formatter **616**.

In the present invention having the above-described structure, main data are inputted to the packet multiplexer **621**. Enhanced data are inputted to the enhanced data randomizer **611** of the pre-processor **610**, wherein an additional coding process is performed so that the present invention can respond swiftly and appropriately against noise and change in channel. The enhanced data randomizer **611** randomizes the received enhanced data and outputs the randomized enhanced data to the RS frame encoder **612**. At this point, by having the

enhanced data randomizer **611** perform the randomizing process on the enhanced data, the randomizing process on the enhanced data by the data randomizer **622** in a later process may be omitted. Either the randomizer of the conventional broadcast system may be used as the randomizer for randomizing the enhanced data, or any other type of randomizer may be used herein.

The RS frame encoder **612** receives the randomized enhanced data and performs at least one of an error correction coding process and an error detection coding process on the received data. Accordingly, by providing robustness to the enhanced data, the data can scatter group error that may occur due to a change in the frequency environment. Thus, the data can respond appropriately to the frequency environment which is very poor and liable to change. The RS frame multiplexer **612** also includes a process of mixing in row units many sets of enhanced data each having a pre-determined size. By performing an error correction coding process on the inputted enhanced data, the RS frame encoder **612** adds data required for the error correction and, then, performs an error detection coding process, thereby adding data required for the error detection process. The error correction coding uses the RS coding method, and the error detection coding uses the cyclic redundancy check (CRC) coding method. When performing the RS coding process, parity data required for the error correction are generated. And, when performing the CRC coding process, CRC data required for the error detection are generated.

The RS frame encoder **612** performs CRC coding on the RS coded enhanced data in order to create the CRC code. The CRC code that is generated by the CRC coding process may be used to indicate whether the enhanced data have been damaged by an error while being transmitted through the channel. The present invention may adopt other types of error detection coding methods, apart from the CRC coding method, and may also use the error correction coding method so as to enhance the overall error correction ability of the receiving system. For example, assuming that the size of one RS frame is $187 \cdot N$ bytes, that (235,187)-RS coding process is performed on each column within the RS frame, and that a CRC coding process using a 2-byte (i.e., 16-bit) CRC checksum, then a RS frame having the size of $187 \cdot N$ bytes is expanded to a RS frame of $235 \cdot (N+2)$ bytes. The RS frame expanded by the RS frame encoder **612** is inputted to the block processor **613**. The block processor **613** codes the RS-coded and CRC-coded enhanced data at a coding rate of $M1/N1$. Then, the block processor **613** outputs the $M1/N1$ -rate coded enhanced data to the group formatter **614**. In order to do so, the block processor **613** identifies the block data bytes being inputted from the RS frame encoder **612** as bits.

The block processor **613** may receive supplemental information data such as signaling information, which include information on the system, and identifies the supplemental information data bytes as data bits. Herein, the supplemental information data, such as the signaling information, may equally pass through the enhanced data randomizer **611** and the RS frame encoder **612** so as to be inputted to the block processor **613**. Alternatively, the supplemental information data may be directly inputted to the block processor **613** without passing through the enhanced data randomizer **611** and the RS frame encoder **612**. The signaling information corresponds to information required for receiving and processing data included in the data group in the receiving system. Such signaling information includes data group information, multiplexing information, and burst information.

As a $M1/N1$ -rate encoder, the block processor **613** codes the inputted data at a coding rate of $M1/N1$ and then outputs

the $M1/N1$ -rate coded data. For example, if 1 bit of the input data is coded to 2 bits and outputted, then $M1$ is equal to 1 and $N1$ is equal to 2 (i.e., $M1=1$ and $N1=2$). Alternatively, if 1 bit of the input data is coded to 4 bits and outputted, then $M1$ is equal to 1 and $N1$ is equal to 4 (i.e., $M1=1$ and $N1=4$). As an example of the present invention, it is assumed that the block processor **613** performs a coding process at a coding rate of $1/2$ (also referred to as a $1/2$ -rate coding process) or a coding process at a coding rate of $1/4$ (also referred to as a $1/4$ -rate coding process). More specifically, the block processor **613** codes the received enhanced data and supplemental information data, such as the signaling information, at either a coding rate of $1/2$ or a coding rate of $1/4$. Thereafter, the supplemental information data, such as the signaling information, are identified and processed as enhanced data.

Since the $1/4$ -rate coding process has a higher coding rate than the $1/2$ -rate coding process, greater error correction ability may be provided. Therefore, in a later process, by allocating the $1/4$ -rate coded data in an area with deficient receiving performance within the group formatter **614**, and by allocating the $1/2$ -rate coded data in an area with excellent receiving performance, the difference in the overall performance may be reduced. More specifically, in case of performing the $1/2$ -rate coding process, the block processor **613** receives 1 bit and codes the received 1 bit to 2 bits (i.e., 1 symbol). Then, the block processor **613** outputs the processed 2 bits (or 1 symbol). On the other hand, in case of performing the $1/4$ -rate coding process, the block processor **613** receives 1 bit and codes the received 1 bit to 4 bits (i.e., 2 symbols). Then, the block processor **613** outputs the processed 4 bits (or 2 symbols). Additionally, the block processor **613** performs a block interleaving process in symbol units on the symbol-coded data. Subsequently, the block processor **613** converts to bytes the data symbols that are block-interleaved and have the order rearranged.

The group formatter **614** inserts the enhanced data outputted from the block processor **613** (herein, the enhanced data may include supplemental information data such as signaling information including transmission information) in a corresponding area within the data group, which is configured according to a pre-defined rule. Furthermore, in relation with the data deinterleaving process, various types of places holders or known data are also inserted in corresponding areas within the data group. At this point, the data group may be described by at least one hierarchical area. Herein, the data allocated to the each area may vary depending upon the characteristic of each hierarchical area. Additionally, each data group may be configured to include a field synchronization signal.

In another example given in the present invention, a data group is divided into A, B, and C regions in a data configuration prior to data deinterleaving.

FIG. 8 illustrates an alignment of data before being data deinterleaved and identified, and FIG. 9 illustrates an alignment of data after being data deinterleaved and identified. More specifically, a data structure identical to that shown in FIG. 8 is transmitted to a receiving system. Also, the data group configured to have the same structure as the data structure shown in FIG. 8 is inputted to the data deinterleaver **615**.

As described above, FIG. 8 illustrates a data structure prior to data deinterleaving that is divided into 3 regions, such as region A, region B, and region C. Also, in the present invention, each of the regions A to C is further divided into a plurality of regions. Referring to FIG. 8, region A is divided into 5 regions (A1 to A5), region B is divided into 2 regions (B1 and B2), and region C is divided into 3 regions (C1 to C3). Herein, regions A to C are identified as regions having similar

receiving performances within the data group. Herein, the type of enhanced data, which are inputted, may also vary depending upon the characteristic of each region.

In the example of the present invention, the data structure is divided into regions A to C based upon the level of interference of the main data. Herein, the data group is divided into a plurality of regions to be used for different purposes. More specifically, a region of the main data having no interference or a very low interference level may be considered to have a more resistant (or stronger) receiving performance as compared to regions having higher interference levels. Additionally, when using a system inserting and transmitting known data in the data group, and when consecutively long known data are to be periodically inserted in the enhanced data, the known data having a predetermined length may be periodically inserted in the region having no interference from the main data (e.g., region A). However, due to interference from the main data, it is difficult to periodically insert known data and also to insert consecutively long known data to a region having interference from the main data (e.g., region B and region C).

Hereinafter, examples of allocating data to region A (A1 to A5), region B (B1 and B2), and region C (C1 to C3) will now be described in detail with reference to FIG. 8. The data group size, the number of hierarchically divided regions within the data group and the size of each region, and the number of enhanced data bytes that can be inserted in each hierarchically divided region of FIG. 8 are merely examples given to facilitate the understanding of the present invention. Herein, the group formatter 614 creates a data group including places in which field synchronization bytes are to be inserted, so as to create the data group that will hereinafter be described in detail.

More specifically, region A is a region within the data group in which a long known data sequence may be periodically inserted, and in which includes regions wherein the main data are not mixed (e.g., A1 to A5). Also, region A includes a region (e.g., A1) located between a field synchronization region and the region in which the first known data sequence is to be inserted. The field synchronization region has the length of one segment (i.e., 832 symbols) existing in an ATSC system.

For example, referring to FIG. 8, 2428 bytes of the enhanced data may be inserted in region A1, 2580 bytes may be inserted in region A2, 2772 bytes may be inserted in region A3, 2472 bytes may be inserted in region A4, and 2772 bytes may be inserted in region A5. Herein, trellis initialization data or known data, MPEG header, and RS parity are not included in the enhanced data. As described above, when region A includes a known data sequence at both ends, the receiving system uses channel information that can obtain known data or field synchronization data, so as to perform equalization, thereby providing enforced equalization performance.

Also, region B includes a region located within 8 segments at the beginning of a field synchronization region within the data group (chronologically placed before region A1) (e.g., region B1), and a region located within 8 segments behind the very last known data sequence which is inserted in the data group (e.g., region B2). For example, 630 bytes of the enhanced data may be inserted in the region B1, and 1350 bytes may be inserted in region B2. Similarly, trellis initialization data or known data, MPEG header, and RS parity are not included in the enhanced data. In case of region B, the receiving system may perform equalization by using channel information obtained from the field synchronization section. Alternatively, the receiving system may also perform equalization by using channel information that may be obtained

from the last known data sequence, thereby enabling the system to respond to the channel changes.

Region C includes a region located within 30 segments including and preceding the 9th segment of the field synchronization region (chronologically located before region A) (e.g., region C1), a region located within 12 segments including and following the 9th segment of the very last known data sequence within the data group (chronologically located after region A) (e.g., region C2), and a region located in 32 segments after the region C2 (e.g., region C3). For example, 1272 bytes of the enhanced data may be inserted in the region C1, 1560 bytes may be inserted in region C2, and 1312 bytes may be inserted in region C3. Similarly, trellis initialization data or known data, MPEG header, and RS parity are not included in the enhanced data. Herein, region C (e.g., region C1) is located chronologically earlier than (or before) region A.

Since region C (e.g., region C1) is located further apart from the field synchronization region which corresponds to the closest known data region, the receiving system may use the channel information obtained from the field synchronization data when performing channel equalization. Alternatively, the receiving system may also use the most recent channel information of a previous data group. Furthermore, in region C (e.g., region C2 and region C3) located before region A, the receiving system may use the channel information obtained from the last known data sequence to perform equalization. However, when the channels are subject to fast and frequent changes, the equalization may not be performed perfectly. Therefore, the equalization performance of region C may be deteriorated as compared to that of region B.

When it is assumed that the data group is allocated with a plurality of hierarchically divided regions, as described above, the block processor 613 may encode the enhanced data, which are to be inserted to each region based upon the characteristic of each hierarchical region, at a different coding rate. For example, the block processor 613 may encode the enhanced data, which are to be inserted in regions A1 to A5 of region A, at a coding rate of $\frac{1}{2}$. Then, the group formatter 614 may insert the $\frac{1}{2}$ -rate encoded enhanced data to regions A1 to A5.

The block processor 613 may encode the enhanced data, which are to be inserted in regions B1 and B2 of region B, at a coding rate of $\frac{1}{4}$ having higher error correction ability as compared to the $\frac{1}{2}$ -coding rate. Then, the group formatter 614 inserts the $\frac{1}{4}$ -rate coded enhanced data in region B1 and region B2. Furthermore, the block processor 613 may encode the enhanced data, which are to be inserted in regions C1 to C3 of region C, at a coding rate of $\frac{1}{4}$ or a coding rate having higher error correction ability than the $\frac{1}{4}$ -coding rate. Then, the group formatter 614 may either insert the encoded enhanced data to regions C1 to C3, as described above, or leave the data in a reserved region for future usage.

In addition, the group formatter 614 also inserts supplemental data, such as signaling information that notifies the overall transmission information, other than the enhanced data in the data group. Also, apart from the encoded enhanced data outputted from the block processor 613, the group formatter 614 also inserts MPEG header place holders, non-systematic RS parity place holders, main data place holders, which are related to data deinterleaving in a later process, as shown in FIG. 8. Herein, the main data place holders are inserted because the enhanced data bytes and the main data bytes are alternately mixed with one another in regions B and C based upon the input of the data deinterleaver, as shown in FIG. 8. For example, based upon the data outputted after data deinterleaving, the place holder for the MPEG header may be allocated at the very beginning of each packet.

Furthermore, the group formatter **614** either inserts known data generated in accordance with a pre-determined method or inserts known data place holders for inserting the known data in a later process. Additionally, place holders for initializing the trellis encoder **627** are also inserted in the corresponding regions. For example, the initialization data place holders may be inserted in the beginning of the known data sequence. Herein, the size of the enhanced data that can be inserted in a data group may vary in accordance with the sizes of the trellis initialization place holders or known data (or known data place holders), MPEG header place holders, and RS parity place holders.

The output of the group formatter **614** is inputted to the data deinterleaver **615**. And, the data deinterleaver **615** deinterleaves data by performing an inverse process of the data interleaver on the data and place holders within the data group, which are then outputted to the packet formatter **616**. More specifically, when the data and place holders within the data group configured, as shown in FIG. **8**, are deinterleaved by the data deinterleaver **615**, the data group being outputted to the packet formatter **616** is configured to have the structure shown in FIG. **9**.

Among the data deinterleaved and inputted, the packet formatter **616** removes the main data place holder and RS parity place holder that were allocated for the deinterleaving process from the inputted deinterleaved data. Thereafter, the remaining portion of the corresponding data is grouped, and 4 bytes of MPEG header are inserted therein. The 4-byte MPEG header is configured of a 1-byte MPEG synchronization byte added to the 3-byte MPEG header place holder.

When the group formatter **614** inserts the known data place holder, the packet formatter **616** may either insert actual known data in the known data place holder or output the known data place holder without any change or modification for a replacement insertion in a later process. Afterwards, the packet formatter **616** divides the data within the above-described packet-formatted data group into 188-byte unit enhanced data packets (i.e., MPEG TS packets), which are then provided to the packet multiplexer **621**. The packet multiplexer **621** multiplexes the 188-byte unit enhanced data packet and main data packet outputted from the packet formatter **616** according to a pre-defined multiplexing method. Subsequently, the multiplexed data packets are outputted to the data randomizer **622**. The multiplexing method may be modified or altered in accordance with diverse variables of the system design.

As an example of the multiplexing method of the packet multiplexer **621**, the enhanced data burst section and the main data section may be identified along a time axis (or a chronological axis) and may be alternately repeated. At this point, the enhanced data burst section may transmit at least one data group, and the main data section may transmit only the main data. The enhanced data burst section may also transmit the main data. If the enhanced data are outputted in a burst structure, as described above, the receiving system receiving only the enhanced data may turn the power on only during the burst section so as to receive the enhanced data, and may turn the power off during the main data section in which main data are transmitted, so as to prevent the main data from being received, thereby reducing the power consumption of the receiving system.

When the data being inputted correspond to the main data packet, the data randomizer **622** performs the same randomizing process of the conventional randomizer. More specifically, the MPEG synchronization byte included in the main data packet is discarded and a pseudo random byte generated from the remaining 187 bytes is used so as to randomize the

data. Thereafter, the randomized data are outputted to the RS encoder/non-systematic RS encoder **623**. However, when the inputted data correspond to the enhanced data packet, the MPEG synchronization byte of the 4-byte MPEG header included in the enhanced data packet is discarded, and data randomizing is performed only on the remaining 3-byte MPEG header. Randomizing is not performed on the remaining portion of the enhanced data. Instead, the remaining portion of the enhanced data is outputted to the RS encoder/non-systematic RS encoder **623**. This is because the randomizing process has already been performed on the enhanced data by the enhanced data randomizer **611** in an earlier process. Herein, a data randomizing process may or may not be performed on the known data (or known data place holder) and the initialization data place holder included in the enhanced data packet.

The RS encoder/non-systematic RS encoder **623** RS-codes the data randomized by the data randomizer **622** or the data bypassing the data randomizer **622**. Then, the RS encoder/non-systematic RS encoder **623** adds a 20-byte RS parity to the coded data, thereby outputting the RS-parity-added data to the data interleaver **624**. At this point, if the inputted data correspond to the main data packet, the RS encoder/non-systematic RS encoder **623** performs a systematic RS-coding process identical to that of the conventional receiving system on the inputted data, thereby adding the 20-byte RS parity at the end of the 187-byte data. Alternatively, if the inputted data correspond to the enhanced data packet, the 20 bytes of RS parity gained by performing the non-systematic RS-coding are respectively inserted in the decided parity byte places within the enhanced data packet. Herein, the data interleaver **624** corresponds to a byte unit convolutional interleaver. The output of the data interleaver **624** is inputted to the parity byte replacer **625** and the non-systematic RS encoder **626**.

Meanwhile, a memory within the trellis encoding module **627**, which is positioned after the parity byte replacer **625**, should first be initialized in order to allow the output data of the trellis encoding module **627** so as to become the known data defined based upon an agreement between the receiving system and the transmitting system. More specifically, the memory of the trellis encoding module **627** should first be initialized before the known data sequence being inputted is trellis-encoded. At this point, the beginning of the known data sequence that is inputted corresponds to the initialization data place holder inserted by the group formatter **614** and not the actual known data. Therefore, a process of generating initialization data right before the trellis-encoding of the known data sequence being inputted and a process of replacing the initialization data place holder of the corresponding trellis encoding module memory with the newly generated initialization data are required.

A value of the trellis memory initialization data is decided based upon the memory status of the trellis encoding module **627**, thereby generating the trellis memory initialization data accordingly. Due to the influence of the replace initialization data, a process of recalculating the RS parity, thereby replacing the RS parity outputted from the trellis encoding module **627** with the newly calculated RS parity is required. Accordingly, the non-systematic RS encoder **626** receives the enhanced data packet including the initialization data place holder that is to be replaced with the initialization data from the data interleaver **624** and also receives the initialization data from the trellis encoding module **627**. Thereafter, among the received enhanced data packet, the initialization data place holder is replaced with the initialization data. Subsequently, the RS parity data added to the enhanced data packet are removed. Then, a new non-systematic RS parity is calcu-

lated and outputted to the parity byte replacer **625**. Accordingly, the parity byte replacer **625** selects the output of the data interleaver **624** as the data within the enhanced data packet, and selects the output of the non-systematic RS encoder **626** as the RS parity. Thereafter, the parity byte replacer **625** outputs the selected data.

Meanwhile, if the main data packet is inputted, or if the enhanced data packet that does not include the initialization data place holder that is to be replaced, the parity byte replacer **625** selects the data and RS parity outputted from the data interleaver **624** and directly outputs the selected data to the trellis encoding module **627** without modification. The trellis encoding module **627** converts the byte-unit data to symbol-unit data and 12-way interleaves and trellis-encodes the converted data, which are then outputted to the frame multiplexer **628**. The frame multiplexer **628** inserts field synchronization and segment synchronization signals in the output of the trellis encoding module **627** and then outputs the processed data to the transmitting unit **630**. Herein, the transmitting unit **630** includes a pilot inserter **631**, a modulator **632**, and a radio frequency (RF) up-converter **633**. The operation of the transmitting unit **630** is identical to the conventional transmitters. Therefore, a detailed description of the same will be omitted for simplicity.

FIG. **10** illustrates a block diagram of a demodulating unit included in the receiving system according to another embodiment of the present invention. Herein, the demodulating unit may effectively process signals transmitted from the transmitting system shown in FIG. **7**. Referring to FIG. **10**, the demodulating unit includes a demodulator **701**, a channel equalizer **702**, a known data detector **703**, a block decoder **704**, an enhanced data deformatter **705**, a RS frame decoder **706**, an enhanced data derandomizer **707**, a data deinterleaver **708**, a RS decoder **709**, and a main data derandomizer **710**. For simplicity, the demodulator **701**, the channel equalizer **702**, the known data detector **703**, the block decoder **704**, the enhanced data deformatter **705**, the RS frame decoder **706**, and the enhanced data derandomizer **707** will be referred to as an enhanced data processor. And, the data deinterleaver **708**, the RS decoder **709**, and the main data derandomizer **710** will be referred to as a main data processor.

More specifically, the enhanced data including known data and the main data are received through the tuner and inputted to the demodulator **701** and the known data detector **703**. The demodulator **701** performs automatic gain control, carrier recovery, and timing recovery on the data that are being inputted, thereby creating baseband data, which are then outputted to the equalizer **702** and the known data detector **703**. The equalizer **702** compensates the distortion within the channel included in the demodulated data. Then, the equalizer **702** outputs the compensated data to the block decoder **704**.

At this point, the known data detector **703** detects the known data place inserted by the transmitting system to the input/output data of the demodulator **701** (i.e., data prior to demodulation or data after demodulation). Then, along with the position information, the known data detector **703** outputs the symbol sequence of the known data generated from the corresponding position to the demodulator **701** and the equalizer **702**. Additionally, the known data detector **703** outputs information enabling the block decoder **704** to identify the enhanced data being additionally encoded by the transmitting system and the main data that are not additionally encoded to the block decoder **704**. Furthermore, although the connection is not shown in FIG. **10**, the information detected by the known data detector **703** may be used in the overall receiving

system and may also be used in the enhanced data formatter **705** and the RS frame decoder **706**.

By using the known data symbol sequence when performing the timing recovery or carrier recovery, the demodulating performance of the demodulator **701** may be enhanced. Similarly, by using the known data, the channel equalizing performance of the channel equalizer **702** may be enhanced. Furthermore, by feeding-back the decoding result of the block decoder **704** to the channel equalizer **702**, the channel equalizing performance may also be enhanced.

The channel equalizer **702** may perform channel equalization by using a plurality of methods. An example of estimating a channel impulse response (CIR) so as to perform channel equalization will be given in the description of the present invention. Most particularly, an example of estimating the CIR in accordance with each region within the data group, which is hierarchically divided and transmitted from the transmitting system, and applying each CIR differently will also be described herein. Furthermore, by using the known data, the place and contents of which is known in accordance with an agreement between the transmitting system and the receiving system, and the field synchronization data, so as to estimate the CIR, the present invention may be able to perform channel equalization with more stability.

Herein, the data group that is inputted for the equalization process is divided into regions A to C, as shown in FIG. **8**. More specifically, in the example of the present invention, each region A, B, and C are further divided into regions A1 to A5, regions B1 and B2, and regions C1 to C3, respectively. Referring to FIG. **8**, the CIR that is estimated from the field synchronization data in the data structure is referred to as CIR_FS. Alternatively, the CIRs that are estimated from each of the 5 known data sequences existing in region A are sequentially referred to as CIR_N0, CIR_N1, CIR_N2, CIR_N3, and CIR_N4.

As described above, the present invention uses the CIR estimated from the field synchronization data and the known data sequences in order to perform channel equalization on data within the data group. At this point, each of the estimated CIRs may be directly used in accordance with the characteristics of each region within the data group. Alternatively, a plurality of the estimated CIRs may also be either interpolated or extrapolated so as to create a new CIR, which is then used for the channel equalization process.

Herein, when a value $F(Q)$ of a function $F(x)$ at a particular point Q and a value $F(S)$ of the function $F(x)$ at another particular point S are known, interpolation refers to estimating a function value of a point within the section between points Q and S. Linear interpolation corresponds to the simplest form among a wide range of interpolation operations. The linear interpolation described herein is merely exemplary among a wide range of possible interpolation methods. And, therefore, the present invention is not limited only to the examples set forth herein.

Alternatively, when a value $F(Q)$ of a function $F(x)$ at a particular point Q and a value $F(S)$ of the function $F(x)$ at another particular point S are known, extrapolation refers to estimating a function value of a point outside of the section between points Q and S. Linear extrapolation is the simplest form among a wide range of extrapolation operations. Similarly, the linear extrapolation described herein is merely exemplary among a wide range of possible extrapolation methods. And, therefore, the present invention is not limited only to the examples set forth herein.

More specifically, in case of region C1, any one of the CIR_N4 estimated from a previous data group, the CIR_FS estimated from the current data group that is to be processed

with channel equalization, and a new CIR generated by extrapolating the CIR_FS of the current data group and the CIR_N0 may be used to perform channel equalization. Alternatively, in case of region B1, a variety of methods may be applied as described in the case for region C1. For example, a new CIR created by linearly extrapolating the CIR_FS estimated from the current data group and the CIR_N0 may be used to perform channel equalization. Also, the CIR_FS estimated from the current data group may also be used to perform channel equalization. Finally, in case of region A1, a new CIR may be created by interpolating the CIR_FS estimated from the current data group and CIR_N0, which is then used to perform channel equalization. Furthermore, any one of the CIR_FS estimated from the current data group and CIR_N0 may be used to perform channel equalization.

In case of regions A2 to A5, CIR_N(i-1) estimated from the current data group and CIR_N(i) may be interpolated to create a new CIR and use the newly created CIR to perform channel equalization. Also, any one of the CIR_N(i-1) estimated from the current data group and the CIR_N(i) may be used to perform channel equalization. Alternatively, in case of regions B2, C2, and C3, CIR_N3 and CIR_N4 both estimated from the current data group may be extrapolated to create a new CIR, which is then used to perform the channel equalization process. Furthermore, the CIR_N4 estimated from the current data group may be used to perform the channel equalization process. Accordingly, an optimum performance may be obtained when performing channel equalization on the data inserted in the data group. The methods of obtaining the CIRs required for performing the channel equalization process in each region within the data group, as described above, are merely examples given to facilitate the understanding of the present invention. A wider range of methods may also be used herein. And, therefore, the present invention will not only be limited to the examples given in the description set forth herein.

Meanwhile, if the data being channel equalized and then inputted to the block decoder 704 correspond to the enhanced data on which additional encoding and trellis encoding are both performed by the transmitting system, trellis-decoding and additional decoding processes are performed as inverse processes of the transmitting system. Alternatively, if the data being channel equalized and then inputted to the block decoder 704 correspond to the main data on which additional encoding is not performed and only trellis-encoding is performed by the transmitting system, only the trellis-decoding process is performed. The data group decoded by the block decoder 704 is inputted to the enhanced data deformatter 705, and the main data packet is inputted to the data deinterleaver 708.

More specifically, if the inputted data correspond to the main data, the block decoder 704 performs Viterbi decoding on the inputted data, so as to either output a hard decision value or hard-decide a soft decision value and output the hard-decided result. On the other hand, if the inputted correspond to the enhanced data, the block decoder 704 outputs either a hard decision value or a soft decision value on the inputted enhanced data. In other words, if the data inputted to the block decoder 704 correspond to the enhanced data, the block decoder 704 performs a decoding process on the data encoded by the block processor and the trellis encoder of the transmitting system. At this point, the output of the RS frame encoder included in the pre-processor of the transmitting system becomes an external code, and the output of the block processor and the trellis encoder becomes an internal code. In order to show maximum performance of the external code when decoding such connection codes, the decoder of the

internal code should output a soft decision value. Therefore, the block decoder 704 may output a hard decision value on the enhanced data. However, when required, it is more preferable that the block decoder 704 outputs a soft decision value.

The present invention may also be used for configuring a reliability map using the soft decision value. The reliability map determines and indicates whether a byte corresponding to a group of 8 bits decided by the code of the soft decision value is reliable. For example, when an absolute value of the soft decision value exceeds a pre-determined threshold value, the value of the bit corresponding to the soft decision value code is determined to be reliable. However, if the absolute value does not exceed the pre-determined threshold value, then the value of the corresponding bit is determined to be not reliable. Further, if at least one bit among the group of 8 bits, which are determined based upon the soft decision value, is determined to be not reliable, then the reliability map indicates that the entire byte is not reliable. Herein, the process of determining the reliability by 1-bit units is merely exemplary. The corresponding byte may also be indicated to be not reliable if a plurality of bits (e.g., 4 bits) is determined to be not reliable.

Conversely, when all of the bits are determined to be reliable within one byte (i.e., when the absolute value of the soft value of all bits exceeds the pre-determined threshold value), then the reliability map determines and indicates that the corresponding data byte is reliable. Similarly, when more than 4 bits are determined to be reliable within one data byte, then the reliability map determines and indicates that the corresponding data byte is reliable. The estimated numbers are merely exemplary and do not limit the scope and spirit of the present invention. Herein, the reliability map may be used when performing error correction decoding processes.

Meanwhile, the data deinterleaver 708, the RS decoder 709, and the main data derandomizer 710 are blocks required for receiving the main data. These blocks may not be required in a receiving system structure that receives only the enhanced data. The data deinterleaver 708 performs an inverse process of the data interleaver of the transmitting system. More specifically, the data deinterleaver 708 deinterleaves the main data being outputted from the block decoder 704 and outputs the deinterleaved data to the RS decoder 709. The RS decoder 709 performs systematic RS decoding on the deinterleaved data and outputs the systematically decoded data to the main data derandomizer 710. The main data derandomizer 710 receives the data outputted from the RS decoder 709 so as to generate the same pseudo random byte as that of the randomizer in the transmitting system. The main data derandomizer 710 then performs a bitwise exclusive OR (XOR) operation on the generated pseudo random data byte, thereby inserting the MPEG synchronization bytes to the beginning of each packet so as to output the data in 188-byte main data packet units.

Herein, the format of the data being outputted to the enhanced data deformatter 705 from the block decoder 704 is a data group format. At this point, the enhanced data deformatter 705 already knows the structure of the input data. Therefore, the enhanced data deformatter 705 identifies the system information including signaling information and the enhanced data from the data group. Thereafter, the identified signaling information is transmitted to where the system information is required, and the enhanced data are outputted to the RS frame decoder 706. The enhanced data deformatter 705 removes the known data, trellis initialization data, and MPEG header that were included in the main data and the data group and also removes the RS parity that was added by the

RS encoder/non-systematic RS encoder of the transmitting system. Thereafter, the processed data are outputted to the RS frame decoder **706**.

More specifically, the RS frame decoder **706** receives the RS-coded and CRC-coded enhanced data from the enhanced data deformatter **705** so as to configure the RS frame. The RS frame decoder **706** performs an inverse process of the RS frame encoder included in the transmitting system, thereby correcting the errors within the RS frame. Then, the 1-byte MPEG synchronization byte, which was removed during the RS frame coding process, is added to the error corrected enhanced data packet. Subsequently, the processed data are outputted to the enhanced data derandomizer **707**. Herein, the enhanced data derandomizer **707** performs a derandomizing process, which corresponds to an inverse process of the enhanced data randomizer included in the transmitting system, on the received enhanced data. Then, by outputting the processed data, the enhanced data transmitted from the transmitting system can be obtained.

According to an embodiment of the present invention, the RS frame decoder **706** may also be configured as follows. The RS frame decoder **706** may perform a CRC syndrome check on the RS frame, thereby verifying whether or not an error has occurred in each row. Subsequently, the CRC checksum is removed and the presence of an error is indicated on a CRC error flag corresponding to each row. Then, a RS decoding process is performed on the RS frame having the CRC checksum removed in a column direction. At this point, depending upon the number of CRC error flags, a RS erasure decoding process may be performed. More specifically, by checking the CRC error flags corresponding to each row within the RS frame, the number of CRC error flags may be determined whether it is greater or smaller than the maximum number of errors, when RS decoding the number of rows with errors (or erroneous rows) in the column direction. Herein, the maximum number of errors corresponds to the number of parity bytes inserted during the RS decoding process. As an example of the present invention, it is assumed that 48 parity bytes are added to each column.

If the number of rows with CRC errors is equal to or smaller than the maximum number of errors (e.g., 48), which may be corrected by the RS erasure decoding process, the RS erasure decoding process is performed on the RS frame in the column direction. Thereafter, the 48 bytes of parity data that were added at the end of each column are removed. However, if the number of rows with CRC errors is greater than the maximum number of errors (e.g., 48), which may be corrected by the RS erasure decoding process, the RS erasure decoding process cannot be performed. In this case, the error may be corrected by performing a general RS decoding process.

As another embodiment of the present invention, the error correction ability may be enhanced by using the reliability map created when configuring the RS frame from the soft decision value. More specifically, the RS frame decoder **706** compares the absolute value of the soft decision value obtained from the block decoder **704** to the pre-determined threshold value so as to determine the reliability of the bit values that are decided by the code of the corresponding soft decision value. Then, 8 bits are grouped to configure a byte. Then, the reliability information of the corresponding byte is indicated on the reliability map. Therefore, even if a specific row is determined to have CRC errors as a result of the CRC syndrome checking process of the corresponding row, it is not assumed that all of the data bytes included in the corresponding row have error. Instead, only the data bytes that are determined to be not reliable, after referring to the reliability information on the reliability map, are set to have errors. In

other words, regardless of the presence of CRC errors in the corresponding row, only the data bytes that are determined to be not reliable (or unreliable) by the reliability map are set as erasure points.

Thereafter, if the number of erasure points for each column is equal to or smaller than the maximum number of errors (e.g., 48), the RS erasure decoding process is performed on the corresponding the column. Conversely, if the number of erasure points is greater than the maximum number of errors (e.g., 48), which may be corrected by the RS erasure decoding process, a general decoding process is performed on the corresponding column. In other words, if the number of rows having CRC errors is greater than the maximum number of errors (e.g., 48), which may be corrected by the RS erasure decoding process, either a RS erasure decoding process or a general RS decoding process is performed on a particular column in accordance with the number of erasure point within the corresponding column, wherein the number is decided based upon the reliability information on the reliability map. When the above-described process is performed, the error correction decoding process is performed in the direction of all of the columns included in the RS frame. Thereafter, the 48 bytes of parity data added to the end of each column are removed.

FIG. **11** illustrates a block diagram showing the structure of a digital broadcast receiving system according to an embodiment of the present invention. Referring to FIG. **11**, the digital broadcast receiving system includes a tuner **801**, a demodulating unit **802**, a demultiplexer **803**, an audio decoder **804**, a video decoder **805**, a native TV application manager **806**, a channel manager **807**, a channel map **808**, a first memory **809**, a data decoder **810**, a second memory **811**, a system manager **812**, a data broadcasting application manager **813**, a storage controller **814**, and a third memory **815**. Herein, the third memory **815** is a mass storage device, such as a hard disk drive (HDD) or a memory chip. The tuner **801** tunes a frequency of a specific channel through any one of an antenna, cable, and satellite. Then, the tuner **801** downs converts the tuned frequency to an intermediate frequency (IF), which is then outputted to the demodulating unit **802**. At this point, the tuner **801** is controlled by the channel manager **807**. Additionally, the result and strength of the broadcast signal of the tuned channel are also reported to the channel manager **807**. The data that are being received by the frequency of the tuned specific channel include main data, enhanced data, and table data for decoding the main data and enhanced data.

In the embodiment of the present invention, examples of the enhanced data may include data provided for data service, such as Java application data, HTML application data, XML data, and so on. The data provided for such data services may correspond either to a Java class file for the Java application, or to a directory file designating positions (or locations) of such files. Furthermore, such data may also correspond to an audio file and/or a video file used in each application. The data services may include weather forecast services, traffic information services, stock information services, services providing information quiz programs providing audience participation services, real time poll, user interactive education programs, gaming services, services providing information on soap opera (or TV series) synopsis, characters, original sound track, filing sites, services providing information on past sports matches, profiles and accomplishments of sports players, product information and product ordering services, services providing information on broadcast programs by media type, airing time, subject, and so on. The types of data services described above are only exemplary and are not limited only to the examples given herein. Furthermore,

depending upon the embodiment of the present invention, the enhanced data may correspond to meta data. For example, the meta data use the XML application so as to be transmitted through a DSM-CC protocol.

The demodulating unit **802** performs demodulation and channel equalization on the signal being outputted from the tuner **801**, thereby identifying the main data and the enhanced data. Thereafter, the identified main data and enhanced data are outputted in TS packet units. Examples of the demodulating unit **802** are shown in FIG. **6** and FIG. **10**. The demodulating unit shown in FIG. **6** and FIG. **10** is merely exemplary and the scope of the present invention is not limited to the examples set forth herein. In the embodiment given as an example of the present invention, only the enhanced data packet outputted from the demodulating unit **802** is inputted to the demultiplexer **803**. In this case, the main data packet is inputted to another demultiplexer (not shown) that processes main data packets. Herein, the storage controller **814** is also connected to the other demultiplexer in order to store the main data after processing the main data packets. The demultiplexer of the present invention may also be designed to process both enhanced data packets and main data packets in a single demultiplexer.

The storage controller **814** is interfaced with the demultiplexer so as to control instant recording, reserved (or pre-programmed) recording, time shift, and so on of the enhanced data and/or main data. For example, when one of instant recording, reserved (or pre-programmed) recording, and time shift is set and programmed in the receiving system (or receiver) shown in FIG. **11**, the corresponding enhanced data and/or main data that are input to the demultiplexer are stored in the third memory **815** in accordance with the control of the storage controller **814**. The third memory **815** may be described as a temporary storage area and/or a permanent storage area. Herein, the temporary storage area is used for the time shifting function, and the permanent storage area is used for a permanent storage of data according to the user's choice (or decision).

When the data stored in the third memory **815** need to be reproduced (or played), the storage controller **814** reads the corresponding data stored in the third memory **815** and outputs the read data to the corresponding demultiplexer (e.g., the enhanced data are outputted to the demultiplexer **803** shown in FIG. **11**). At this point, according to the embodiment of the present invention, since the storage capacity of the third memory **815** is limited, the compression encoded enhanced data and/or main data that are being inputted are directly stored in the third memory **815** without any modification for the efficiency of the storage capacity. In this case, depending upon the reproduction (or reading) command, the data read from the third memory **815** pass through the demultiplexer so as to be inputted to the corresponding decoder, thereby being restored to the initial state.

The storage controller **814** may control the reproduction (or play), fast-forward, rewind, slow motion, instant replay functions of the data that are already stored in the third memory **815** or presently being buffered. Herein, the instant replay function corresponds to repeatedly viewing scenes that the viewer (or user) wishes to view once again. The instant replay function may be performed on stored data and also on data that are currently being received in real time by associating the instant replay function with the time shift function. If the data being inputted correspond to the analog format, for example, if the transmission mode is NTSC, PAL, and so on, the storage controller **814** compression encodes the inputted data and stored the compression-encoded data to the third memory **815**. In order to do so, the storage controller **814** may

include an encoder, wherein the encoder may be embodied as one of software, middleware, and hardware. Herein, an MPEG encoder may be used as the encoder according to an embodiment of the present invention. The encoder may also be provided outside of the storage controller **814**.

Meanwhile, in order to prevent illegal duplication (or copies) of the input data being stored in the third memory **815**, the storage controller **814** scrambles the input data and stores the scrambled data in the third memory **815**. Accordingly, the storage controller **814** may include a scramble algorithm for scrambling the data stored in the third memory **815** and a descramble algorithm for descrambling the data read from the third memory **815**. Herein, the definition of scramble includes encryption, and the definition of descramble includes decryption. The scramble method may include using an arbitrary key (e.g., control word) to modify a desired set of data, and also a method of mixing signals.

Meanwhile, the demultiplexer **803** receives the real-time data outputted from the demodulating unit **802** or the data read from the third memory **815** and demultiplexes the received data. In the example given in the present invention, the demultiplexer **803** performs demultiplexing on the enhanced data packet. Therefore, in the present invention, the receiving and processing of the enhanced data will be described in detail. It should also be noted that a detailed description of the processing of the main data will be omitted for simplicity starting from the description of the demultiplexer **803** and the subsequent elements.

The demultiplexer **803** demultiplexes enhanced data and program specific information/program and system information protocol (PSI/PSIP) tables from the enhanced data packet inputted in accordance with the control of the data decoder **810**. Thereafter, the demultiplexed enhanced data and PSI/PSIP tables are outputted to the data decoder **810** in a section format. In order to extract the enhanced data from the channel through which enhanced data are transmitted and to decode the extracted enhanced data, system information is required. Such system information may also be referred to as service information. The system information may include channel information, event information, etc. In the embodiment of the present invention, the PSI/PSIP tables are applied as the system information. However, the present invention is not limited to the example set forth herein. More specifically, regardless of the name, any protocol transmitting system information in a table format may be applied in the present invention.

The PSI table is an MPEG-2 system standard defined for identifying the channels and the programs. The PSIP table is an advanced television systems committee (ATSC) standard that can identify the channels and the programs. The PSI table may include a program association table (PAT), a conditional access table (CAT), a program map table (PMT), and a network information table (NIT). Herein, the PAT corresponds to special information that is transmitted by a data packet having a PID of '0'. The PAT transmits PID information of the PMT and PID information of the NIT corresponding to each program. The CAT transmits information on a paid broadcast system used by the transmitting system. The PMT transmits PID information of a transport stream (TS) packet, in which program identification numbers and individual bit sequences of video and audio data configuring the corresponding program are transmitted, and the PID information, in which PCR is transmitted. The NIT transmits information of the actual transmission network.

The PSIP table may include a virtual channel table (VCT), a system time table (STT), a rating region table (RRT) an extended text table (ETT), a direct channel change table

(DCCT), an event information table (EIT), and a master guide table (MGT). The VCT transmits information on virtual channels, such as channel information for selecting channels and information such as packet identification (PID) numbers for receiving the audio and/or video data. More specifically, when the VCT is parsed, the PID of the audio/video data of the broadcast program may be known. Herein, the corresponding audio/video data are transmitted within the channel along with the channel name and the channel number. The STT transmits information on the current data and timing information. The RRT transmits information on region and consultation organs for program ratings. The ETT transmits additional description of a specific channel and broadcast program. The EIT transmits information on virtual channel events (e.g., program title, program start time, etc.). The DCCT/DCCSCT transmits information associated with automatic (or direct) channel change. And, the MGT transmits the versions and PID information of the above-mentioned tables included in the PSIP.

Each of the above-described tables included in the PSI/PSIP is configured of a basic unit referred to as a "section", and a combination of one or more sections forms a table. For example, the VCT may be divided into 256 sections. Herein, one section may include a plurality of virtual channel information. However, a single set of virtual channel information is not divided into two or more sections. At this point, the receiving system may parse and decode the data for the data service that are transmitting by using only the tables included in the PSI, or only the tables included in the PISP, or a combination of tables included in both the PSI and the PSIP. In order to parse and decode the data for the data service, at least one of the PAT and PMT included in the PSI, and the VCT included in the PSIP is required. For example, the PAT may include the system information for transmitting the data corresponding to the data service, and the PID of the PMT corresponding to the data service data (or program number). The PMT may include the PID of the TS packet used for transmitting the data service data. The VCT may include information on the virtual channel for transmitting the data service data, and the PID of the TS packet for transmitting the data service data.

Meanwhile, depending upon the embodiment of the present invention, a DVB-SI may be applied instead of the PSIP. The DVB-SI may include a network information table (NIT), a service description table (SDT), an event information table (EIT), and a time and data table (TDT). The DVB-SI may be used in combination with the above-described PSI. Herein, the NIT divides the services corresponding to particular network providers by specific groups. The NIT includes all tuning information that are used during the IRD set-up. The NIT may be used for informing or notifying any change in the tuning information. The SDT includes the service name and different parameters associated with each service corresponding to a particular MPEG multiplex. The EIT is used for transmitting information associated with all events occurring in the MPEG multiplex. The EIT includes information on the current transmission and also includes information selectively containing different transmission streams that may be received by the IRD. And, the TDT is used for updating the clock included in the IRD.

Furthermore, three selective SI tables (i.e., a bouquet associate table (BAT), a running status table (RST), and a stuffing table (ST)) may also be included. More specifically, the bouquet associate table (BAT) provides a service grouping method enabling the IRD to provide services to the viewers. Each specific service may belong to at least one 'bouquet' unit. A running status table (RST) section is used for promptly

and instantly updating at least one event execution status. The execution status section is transmitted only once at the changing point of the event status. Other SI tables are generally transmitted several times. The stuffing table (ST) may be used for replacing or discarding a subsidiary table or the entire SI tables.

In the present invention, the enhanced data included in the payload within the TS packet consist of a digital storage media-command and control (DSM-CC) section format. However, the TS packet including the data service data may correspond either to a packetized elementary stream (PES) type or to a section type. More specifically, either the PES type data service data configure the TS packet, or the section type data service data configure the TS packet. The TS packet configured of the section type data will be given as the example of the present invention. At this point, the data service data are included in the digital storage media-command and control (DSM-CC) section. Herein, the DSM-CC section is then configured of a 188-byte unit TS packet.

Furthermore, the packet identification of the TS packet configuring the DSM-CC section is included in a data service table (DST). When transmitting the DST, '0x95' is assigned as the value of a stream_type field included in the service location descriptor of the PMT or the VCT. More specifically, when the PMT or VCT stream_type field value is '0x95', the receiving system may acknowledge that data broadcasting including enhanced data (i.e., the enhanced data) is being received. At this point, the enhanced data may be transmitted by a data carousel method. The data carousel method corresponds to repeatedly transmitting identical data on a regular basis.

At this point, according to the control of the data decoder **810**, the demultiplexer **803** performs section filtering, thereby discarding repetitive sections and outputting only the non-repetitive sections to the data decoder **810**. The demultiplexer **803** may also output only the sections configuring desired tables (e.g., VCT) to the data decoder **810** by section filtering. Herein, the VCT may include a specific descriptor for the enhanced data. However, the present invention does not exclude the possibilities of the enhanced data being included in other tables, such as the PMT. The section filtering method may include a method of verifying the PID of a table defined by the MGT, such as the VCT, prior to performing the section filtering process. Alternatively, the section filtering method may also include a method of directly performing the section filtering process without verifying the MGT, when the VCT includes a fixed PID (i.e., a base PID). At this point, the demultiplexer **803** performs the section filtering process by referring to a table_id field, a version_number field, a section_number field, etc.

As described above, the method of defining the PID of the VCT broadly includes two different methods. Herein, the PID of the VCT is a packet identifier required for identifying the VCT from other tables. The first method consists of setting the PID of the VCT so that it is dependent to the MGT. In this case, the receiving system cannot directly verify the VCT among the many PSI and/or PSIP tables. Instead, the receiving system must check the PID defined in the MGT in order to read the VCT. Herein, the MGT defines the PID, size, version number, and so on, of diverse tables. The second method consists of setting the PID of the VCT so that the PID is given a base PID value (or a fixed PID value), thereby being independent from the MGT. In this case, unlike in the first method, the VCT according to the present invention may be identified without having to verify every single PID included in the

MGT. Evidently, an agreement on the base PID must be previously made between the transmitting system and the receiving system.

Meanwhile, in the embodiment of the present invention, the demultiplexer **803** may output only an application information table (AIT) to the data decoder **810** by section filtering. The AIT includes information on an application being operated in the receiving system for the data service. The AIT may also be referred to as an XAIT, and an AMT. Therefore, any table including application information may correspond to the following description. When the AIT is transmitted, a value of '0x05' may be assigned to a stream_type field of the PMT. The AIT may include application information, such as application name, application version, application priority, application TD, application status (i.e., auto-start, user-specific settings, kill, etc.), application type (i.e., Java or HTML), position (or location) of stream including application class and data files, application platform directory, and location of application icon.

In the method for detecting application information for the data service by using the AIT, component_tag, original_network_id, transport_stream_id, and service_id fields may be used for detecting the application information. The component_tag field designates an elementary stream carrying a DSI of a corresponding object carousel. The original_network_id field indicates a DVB-SI original_network_id of the TS providing transport connection. The transport_stream_id field indicates the MPEG TS of the TS providing transport connection, and the service_id field indicates the DVB-SI of the service providing transport connection. Information on a specific channel may be obtained by using the original_network_id field, the transport_stream_id field, and the service_id field. The data service data, such as the application data, detected by using the above-described method may be stored in the second memory **811** by the data decoder **810**.

The data decoder **810** parses the DSM-CC section configuring the demultiplexed enhanced data. Then, the enhanced data corresponding to the parsed result are stored as a database in the second memory **811**. The data decoder **810** groups a plurality of sections having the same table identification (table_id) so as to configure a table, which is then parsed. Thereafter, the parsed result is stored as a database in the second memory **811**. At this point, by parsing data and/or sections, the data decoder **810** reads all of the remaining actual section data that are not section-filtered by the demultiplexer **803**. Then, the data decoder **810** stores the read data to the second memory **811**. The second memory **811** corresponds to a table and data carousel database storing system information parsed from tables and enhanced data parsed from the DSM-CC section. Herein, a table_id field, a section_number field, and a last_section_number field included in the table may be used to indicate whether the corresponding table is configured of a single section or a plurality of sections. For example, TS packets having the PID of the VCT are grouped to form a section, and sections having table identifiers allocated to the VCT are grouped to form the VCT.

When the VCT is parsed, information on the virtual channel to which enhanced data are transmitted may be obtained. The obtained application identification information, service component identification information, and service information corresponding to the data service may either be stored in the second memory **811** or be outputted to the data broadcasting application manager **813**. In addition, reference may be made to the application identification information, service component identification information, and service information in order to decode the data service data. Alternatively, such information may also prepare the operation of the appli-

cation program for the data service. Furthermore, the data decoder **810** controls the demultiplexing of the system information table, which corresponds to the information table associated with the channel and events. Thereafter, an A.V PID list may be transmitted to the channel manager **807**.

The channel manager **807** may refer to the channel map **808** in order to transmit a request for receiving system-related information data to the data decoder **810**, thereby receiving the corresponding result. In addition, the channel manager **807** may also control the channel tuning of the tuner **801**. Furthermore, the channel manager **807** may directly control the demultiplexer **803**, so as to set up the A/V PID, thereby controlling the audio decoder **804** and the video decoder **805**. The audio decoder **804** and the video decoder **805** may respectively decode and output the audio data and video data demultiplexed from the main data packet. Alternatively, the audio decoder **804** and the video decoder **805** may respectively decode and output the audio data and video data demultiplexed from the enhanced data packet. Meanwhile, when the enhanced data include data service data, and also audio data and video data, it is apparent that the audio data and video data demultiplexed by the demultiplexer **803** are respectively decoded by the audio decoder **804** and the video decoder **805**. For example, an audio-coding (AC)-3 decoding algorithm may be applied to the audio decoder **804**, and a MPEG-2 decoding algorithm may be applied to the video decoder **805**.

Meanwhile, the native TV application manager **806** operates a native application program stored in the first memory **809**, thereby performing general functions such as channel change. The native application program refers to software stored in the receiving system upon shipping of the product. More specifically, when a user request (or command) is transmitted to the receiving system through a user interface (UI), the native TV application manager **806** displays the user request on a screen through a graphic user interface (GUI), thereby responding to the user's request. The user interface receives the user request through an input device, such as a remote controller, a key pad, a jog controller, an a touchscreen provided on the screen, and then outputs the received user request to the native TV application manager **806** and the data broadcasting application manager **813**. Furthermore, the native TV application manager **806** controls the channel manager **807**, thereby controlling channel-associated, such as the management of the channel map **808**, and controlling the data decoder **810**. The native TV application manager **806** also controls the GUI of the overall receiving system, thereby storing the user request and status of the receiving system in the first memory **809** and restoring the stored information.

The channel manager **807** controls the tuner **801** and the data decoder **810**, so as to managing the channel map **808** so that it can respond to the channel request made by the user. More specifically, channel manager **807** sends a request to the data decoder **810** so that the tables associated with the channels that are to be tuned are parsed. The results of the parsed tables are reported to the channel manager **807** by the data decoder **810**. Thereafter, based on the parsed results, the channel manager **807** updates the channel map **808** and sets up a PID in the demultiplexer **803** for demultiplexing the tables associated with the data service data from the enhanced data.

The system manager **812** controls the booting of the receiving system by turning the power on or off. Then, the system manager **812** stores ROM images (including downloaded software images) in the first memory **809**. More specifically, the first memory **809** stores management programs such as operating system (OS) programs required for managing the receiving system and also application program executing data

service functions. The application program is a program processing the data service data stored in the second memory **811** so as to provide the user with the data service. If the data service data are stored in the second memory **811**, the corresponding data service data are processed by the above-described application program or by other application programs, thereby being provided to the user. The management program and application program stored in the first memory **809** may be updated or corrected to a newly downloaded program. Furthermore, the storage of the stored management program and application program is maintained without being deleted even if the power of the system is shut down. Therefore, when the power is supplied the programs may be executed without having to be newly downloaded once again.

The application program for providing data service according to the present invention may either be initially stored in the first memory **809** upon the shipping of the receiving system, or be stored in the first **809** after being downloaded. The application program for the data service (i.e., the data service providing application program) stored in the first memory **809** may also be deleted, updated, and corrected. Furthermore, the data service providing application program may be downloaded and executed along with the data service data each time the data service data are being received.

When a data service request is transmitted through the user interface, the data broadcasting application manager **813** operates the corresponding application program stored in the first memory **809** so as to process the requested data, thereby providing the user with the requested data service. And, in order to provide such data service, the data broadcasting application manager **813** supports the graphic user interface (GUT). Herein, the data service may be provided in the form of text (or short message service (SMS)), voice message, still image, and moving image. The data broadcasting application manager **813** may be provided with a platform for executing the application program stored in the first memory **809**. The platform may be, for example, a Java virtual machine for executing the Java program. Hereinafter, an example of the data broadcasting application manager **813** executing the data service providing application program stored in the first memory **809**, so as to process the data service data stored in the second memory **811**, thereby providing the user with the corresponding data service will now be described in detail.

Assuming that the data service corresponds to a traffic information service, the data service according to the present invention is provided to the user of a receiving system that is not equipped with an electronic map and/or a GPS system in the form of at least one of a text (or short message service (SMS)), a voice message, a graphic message, a still image, and a moving image. In this case, is a GPS module is mounted on the receiving system shown in FIG. **11**, the GPS module receives satellite signals transmitted from a plurality of low earth orbit satellites and extracts the current position (or location) information (e.g., longitude, latitude, altitude), thereby outputting the extracted information to the data broadcasting application manager **813**.

At this point, it is assumed that the electronic map including information on each link and nod and other diverse graphic information are stored in one of the second memory **811**, the first memory **809**, and another memory that is not shown. More specifically, according to the request made by the data broadcasting application manager **813**, the data service data stored in the second memory **811** are read and inputted to the data broadcasting application manager **813**. The data broadcasting application manager **813** translates (or deciphers) the data service data read from the second memory

811, thereby extracting the necessary information according to the contents of the message and/or a control signal.

FIG. **12** illustrates a block diagram showing the structure of a digital broadcast (or television) receiving system according to another embodiment of the present invention. Referring to FIG. **12**, the digital broadcast receiving system includes a tuner **901**, a demodulating unit **902**, a demultiplexer **903**, a first descrambler **904**, an audio decoder **905**, a video decoder **906**, a second descrambler **907**, an authentication unit **908**, a native TV application manager **909**, a channel manager **910**, a channel map **911**, a first memory **912**, a data decoder **913**, a second memory **914**, a system manager **915**, a data broadcasting application manager **916**, a storage controller **917**, a third memory **918**, and a telecommunication module **919**. Herein, the third memory **918** is a mass storage device, such as a hard disk drive (HDD) or a memory chip. Also, during the description of the digital broadcast (or television or DTV) receiving system shown in FIG. **12**, the components that are identical to those of the digital broadcast receiving system of FIG. **11** will be omitted for simplicity.

As described above, in order to provide services for preventing illegal duplication (or copies) or illegal viewing of the enhanced data and/or main data that are transmitted by using a broadcast network, and to provide paid broadcast services, the transmitting system may generally scramble and transmit the broadcast contents. Therefore, the receiving system needs to descramble the scrambled broadcast contents in order to provide the user with the proper broadcast contents. Furthermore, the receiving system may generally be processed with an authentication process with an authentication means before the descrambling process. Hereinafter, the receiving system including an authentication means and a descrambling means according to an embodiment of the present invention will now be described in detail.

According to the present invention, the receiving system may be provided with a descrambling means receiving scrambled broadcasting contents and an authentication means authenticating (or verifying) whether the receiving system is entitled to receive the descrambled contents. Hereinafter, the descrambling means will be referred to as first and second descramblers **904** and **907**, and the authentication means will be referred to as an authentication unit **908**. Such naming of the corresponding components is merely exemplary and is not limited to the terms suggested in the description of the present invention. For example, the units may also be referred to as a decryptor. Although FIG. **12** illustrates an example of the descramblers **904** and **907** and the authentication unit **908** being provided inside the receiving system, each of the descramblers **904** and **907** and the authentication unit **908** may also be separately provided in an internal or external module. Herein, the module may include a slot type, such as a SD or CF memory, a memory stick type, a USB type, and so on, and may be detachably fixed to the receiving system.

As described above, when the authentication process is performed successfully by the authentication unit **908**, the scrambled broadcasting contents are descrambled by the descramblers **904** and **907**, thereby being provided to the user. At this point, a variety of the authentication method and descrambling method may be used herein. However, an agreement on each corresponding method should be made between the receiving system and the transmitting system. Hereinafter, the authentication and descrambling methods will now be described, and the description of identical components or process steps will be omitted for simplicity.

The receiving system including the authentication unit **908** and the descramblers **904** and **907** will now be described in

detail. The receiving system receives the scrambled broadcasting contents through the tuner **901** and the demodulating unit **902**. Then, the system manager **915** decides whether the received broadcasting contents have been scrambled. Herein, the demodulating unit **902** may be included as a demodulating means according to embodiments of the present invention as described in FIG. **6** and FIG. **10**. However, the present invention is not limited to the examples given in the description set forth herein. If the system manager **915** decides that the received broadcasting contents have been scrambled, then the system manager **915** controls the system to operate the authentication unit **908**. As described above, the authentication unit **908** performs an authentication process in order to decide whether the receiving system according to the present invention corresponds to a legitimate host entitled to receive the paid broadcasting service. Herein, the authentication process may vary in accordance with the authentication methods.

For example, the authentication unit **908** may perform the authentication process by comparing an IP address of an IP datagram within the received broadcasting contents with a specific address of a corresponding host. At this point, the specific address of the corresponding receiving system (or host) may be a MAC address. More specifically, the authentication unit **908** may extract the IP address from the decapsulated IP datagram, thereby obtaining the receiving system information that is mapped with the IP address. At this point, the receiving system should be provided, in advance, with information (e.g., a table format) that can map the IP address and the receiving system information. Accordingly, the authentication unit **908** performs the authentication process by determining the conformity between the address of the corresponding receiving system and the system information of the receiving system that is mapped with the IP address. In other words, if the authentication unit **908** determines that the two types of information conform to one another, then the authentication unit **908** determines that the receiving system is entitled to receive the corresponding broadcasting contents.

In another example, standardized identification information is defined in advance by the receiving system and the transmitting system. Then, the identification information of the receiving system requesting the paid broadcasting service is transmitted by the transmitting system. Thereafter, the receiving system determines whether the received identification information conforms with its own unique identification number, so as to perform the authentication process. More specifically, the transmitting system creates a database for storing the identification information (or number) of the receiving system requesting the paid broadcasting service. Then, if the corresponding broadcasting contents are scrambled, the transmitting system includes the identification information in the EMM, which is then transmitted to the receiving system.

If the corresponding broadcasting contents are scrambled, messages (e.g., entitlement control message (ECM), entitlement management message (EMM)), such as the CAS information, mode information, message position information, that are applied to the scrambling of the broadcasting contents are transmitted through a corresponding data header or another data packet. The ECM may include a control word (CW) used for scrambling the broadcasting contents. At this point, the control word may be encoded with an authentication key. The EMM may include an authentication key and entitlement information of the corresponding data. Herein, the authentication key may be encoded with a receiving system-specific distribution key. In other words, assuming that the enhanced data are scrambled by using the control word, and that the authentication information and the descrambling information

are transmitted from the transmitting system, the transmitting system encodes the CW with the authentication key and, then, includes the encoded CW in the entitlement control message (ECM), which is then transmitted to the receiving system. Furthermore, the transmitting system includes the authentication key used for encoding the CW and the entitlement to receive data (or services) of the receiving system (i.e., a standardized serial number of the receiving system that is entitled to receive the corresponding broadcasting service or data) in the entitlement management message (EMM), which is then transmitted to the receiving system.

Accordingly, the authentication unit **908** of the receiving system extracts the identification information of the receiving system and the identification information included in the EMM of the broadcasting service that is being received. Then, the authentication unit **908** determines whether the identification information conform to each other, so as to perform the authentication process. More specifically, if the authentication unit **908** determines that the information conform to each other, then the authentication unit **908** eventually determines that the receiving system is entitled to receive the request broadcasting service.

In yet another example, the authentication unit **908** of the receiving system may be detachably fixed to an external module. In this case, the receiving system is interfaced with the external module through a common interface (CI). In other words, the external module may receive the data scrambled by the receiving system through the common interface, thereby performing the descrambling process of the received data. Alternatively, the external module may also transmit only the information required for the descrambling process to the receiving system. The common interface is configured on a physical layer and at least one protocol layer. Herein, in consideration of any possible expansion of the protocol layer in a later process, the corresponding protocol layer may be configured to have at least one layer that can each provide an independent function.

The external module may either consist of a memory or card having information on the key used for the scrambling process and other authentication information but not including any descrambling function, or consist of a card having the above-mentioned key information and authentication information and including the descrambling function. Both the receiving system and the external module should be authenticated in order to provide the user with the paid broadcasting service provided (or transmitted) from the transmitting system. Therefore, the transmitting system can only provide the corresponding paid broadcasting service to the authenticated pair of receiving system and external module.

Additionally, an authentication process should also be performed between the receiving system and the external module through the common interface. More specifically, the module may communicate with the system manager **915** included in the receiving system through the common interface, thereby authenticating the receiving system. Alternatively, the receiving system may authenticate the module through the common interface. Furthermore, during the authentication process, the module may extract the unique ID of the receiving system and its own unique ID and transmit the extracted IDs to the transmitting system. Thus, the transmitting system may use the transmitted ID values as information determining whether to start the requested service or as payment information. Whenever necessary, the system manager **915** transmits the payment information to the remote transmitting system through the telecommunication module **919**.

The authentication unit **908** authenticates the corresponding receiving system and/or the external module. Then, if the

authentication process is successfully completed, the authentication unit **908** certifies the corresponding receiving system and/or the external module as a legitimate system and/or module entitled to receive the requested paid broadcasting service. In addition, the authentication unit **908** may also receive authentication-associated information from a mobile telecommunications service provider to which the user of the receiving system is subscribed, instead of the transmitting system providing the requested broadcasting service. In this case, the authentication-association information may either be scrambled by the transmitting system providing the broadcasting service and, then, transmitted to the user through the mobile telecommunications service provider, or be directly scrambled and transmitted by the mobile telecommunications service provider. Once the authentication process is successfully completed by the authentication unit **908**, the receiving system may descramble the scrambled broadcasting contents received from the transmitting system. At this point, the descrambling process is performed by the first and second descramblers **904** and **907**. Herein, the first and second descramblers **904** and **907** may be included in an internal module or an external module of the receiving system.

The receiving system is also provided with a common interface for communicating with the external module including the first and second descramblers **904** and **907**, so as to perform the descrambling process. More specifically, the first and second descramblers **904** and **907** may be included in the module or in the receiving system in the form of hardware, middleware or software. Herein, the descramblers **904** and **907** may be included in any one of or both of the module and the receiving system. If the first and second descramblers **904** and **907** are provided inside the receiving system, it is advantageous to have the transmitting system (i.e., at least any one of a service provider and a broadcast station) scramble the corresponding data using the same scrambling method.

Alternatively, if the first and second descramblers **904** and **907** are provided in the external module, it is advantageous to have each transmitting system scramble the corresponding data using different scrambling methods. In this case, the receiving system is not required to be provided with the descrambling algorithm corresponding to each transmitting system. Therefore, the structure and size of receiving system may be simplified and more compact. Accordingly, in this case, the external module itself may be able to provide CA functions, which are uniquely and only provided by each transmitting systems, and functions related to each service that is to be provided to the user. The common interface enables the various external modules and the system manager **915**, which is included in the receiving system, to communicate with one another by a single communication method. Furthermore, since the receiving system may be operated by being connected with at least one or more modules providing different services, the receiving system may be connected to a plurality of modules and controllers.

In order to maintain successful communication between the receiving system and the external module, the common interface protocol includes a function of periodically checking the status of the opposite correspondent. By using this function, the receiving system and the external module is capable of managing the status of each opposite correspondent. This function also reports the user or the transmitting system of any malfunction that may occur in any one of the receiving system and the external module and attempts the recovery of the malfunction.

In yet another example, the authentication process may be performed through software. More specifically, when a memory card having CAS software downloaded, for

example, and stored therein in advanced is inserted in the receiving system, the receiving system receives and loads the CAS software from the memory card so as to perform the authentication process. In this example, the CAS software is read out from the memory card and stored in the first memory **912** of the receiving system. Thereafter, the CAS software is operated in the receiving system as an application program. According to an embodiment of the present invention, the CAS software is mounted on (or stored) in a middleware platform and, then executed. A Java middleware will be given as an example of the middleware included in the present invention. Herein, the CAS software should at least include information required for the authentication process and also information required for the descrambling process.

Therefore, the authentication unit **908** performs authentication processes between the transmitting system and the receiving system and also between the receiving system and the memory card. At this point, as described above, the memory card should be entitled to receive the corresponding data and should include information on a normal receiving system that can be authenticated. For example, information on the receiving system may include a unique number, such as a standardized serial number of the corresponding receiving system. Accordingly, the authentication unit **908** compares the standardized serial number included in the memory card with the unique information of the receiving system, thereby performing the authentication process between the receiving system and the memory card.

If the CAS software is first executed in the Java middleware base, then the authentication between the receiving system and the memory card is performed. For example, when the unique number of the receiving system stored in the memory card conforms to the unique number of the receiving system read from the system manager **915**, then the memory card is verified and determined to be a normal memory card that may be used in the receiving system. At this point, the CAS software may either be installed in the first memory **912** upon the shipping of the present invention, or be downloaded to the first memory **912** from the transmitting system or the module or memory card, as described above. Herein, the descrambling function may be operated by the data broadcasting application manger **916** as an application program.

Thereafter, the CAS software parses the EMM/ECM packets outputted from the demultiplexer **903**, so as to verify whether the receiving system is entitled to receive the corresponding data, thereby obtaining the information required for descrambling (i.e., the CW) and providing the obtained CW to the descramblers **904** and **907**. More specifically, the CAS software operating in the Java middleware platform first reads out the unique (or serial) number of the receiving system from the corresponding receiving system and compares it with the unique number of the receiving system transmitted through the EMM, thereby verifying whether the receiving system is entitled to receive the corresponding data. Once the receiving entitlement of the receiving system is verified, the corresponding broadcasting service information transmitted to the ECM and the entitlement of receiving the corresponding broadcasting service are used to verify whether the receiving system is entitled to receive the corresponding broadcasting service. Once the receiving system is verified to be entitled to receive the corresponding broadcasting service, the authentication key transmitted to the EMM is used to decode (or decipher) the encoded CW, which is transmitted to the ECM, thereby transmitting the decoded CW to the descramblers **904** and **907**. Each of the descramblers **904** and **907** uses the CW to descramble the broadcasting service.

Meanwhile, the CAS software stored in the memory card may be expanded in accordance with the paid service which the broadcast station is to provide. Additionally, the CAS software may also include other additional information other than the information associated with the authentication and descrambling. Furthermore, the receiving system may download the CAS software from the transmitting system so as to upgrade (or update) the CAS software originally stored in the memory card. As described above, regardless of the type of broadcast receiving system, as long as an external memory interface is provided, the present invention may embody a CAS system that can meet the requirements of all types of memory card that may be detachably fixed to the receiving system. Thus, the present invention may realize maximum performance of the receiving system with minimum fabrication cost, wherein the receiving system may receive paid broadcasting contents such as broadcast programs, thereby acknowledging and regarding the variety of the receiving system. Moreover, since only the minimum application program interface is required to be embodied in the embodiment of the present invention, the fabrication cost may be minimized, thereby eliminating the manufacturer's dependence on CAS manufacturers. Accordingly, fabrication costs of CAS equipments and management systems may also be minimized.

Meanwhile, the descramblers **904** and **907** may be included in the module either in the form of hardware or in the form of software. In this case, the scrambled data that being received are descrambled by the module and then demodulated. Also, if the scrambled data that are being received are stored in the third memory **918**, the received data may be descrambled and then stored, or stored in the memory at the point of being received and then descrambled later on prior to being played (or reproduced). Thereafter, in case scramble/descramble algorithms are provided in the storage controller **917**, the storage controller **917** scrambles the data that are being received once again and then stores the re-scrambled data to the third memory **918**.

In yet another example, the descrambled broadcasting contents (transmission of which being restricted) are transmitted through the broadcasting network. Also, information associated with the authentication and descrambling of data in order to disable the receiving restrictions of the corresponding data are transmitted and/or received through the telecommunication module **919**. Thus, the receiving system is able to perform reciprocal (or two-way) communication. The receiving system may either transmit data to the telecommunication module within the transmitting system or be provided with the data from the telecommunication module within the transmitting system. Herein, the data correspond to broadcasting data that are desired to be transmitted to or from the transmitting system, and also unique information (i.e., identification information) such as a serial number of the receiving system or MAC address.

The telecommunication module **919** included in the receiving system provides a protocol required for performing reciprocal (or two-way) communication between the receiving system, which does not support the reciprocal communication function, and the telecommunication module included in the transmitting system. Furthermore, the receiving system configures a protocol data unit (PDU) using a tag-length-value (TLV) coding method including the data that are to be transmitted and the unique information (or ID information). Herein, the tag field includes indexing of the corresponding PDU. The length field includes the length of the value field.

And, the value field includes the actual data that are to be transmitted and the unique number (e.g., identification number) of the receiving system.

The receiving system may configure a platform that is equipped with the Java platform and that is operated after downloading the Java application of the transmitting system to the receiving system through the network. In this case, a structure of downloading the PDU including the tag field arbitrarily defined by the transmitting system from a storage means included in the receiving system and then transmitting the downloaded PDU to the telecommunication module **919** may also be configured. Also, the PDU may be configured in the Java application of the receiving system and then outputted to the telecommunication module **919**. The PDU may also be configured by transmitting the tag value, the actual data that are to be transmitted, the unique information of the corresponding receiving system from the Java application and by performing the TLV coding process in the receiving system. This structure is advantageous in that the firmware of the receiving system is not required to be changed even if the data (or application) desired by the transmitting system is added.

The telecommunication module within the transmitting system either transmits the PDU received from the receiving system through a wireless data network or configures the data received through the network into a PDU which is transmitted to the host. At this point, when configuring the PDU that is to be transmitted to the host, the telecommunication module within the transmitting end may include unique information (e.g., IP address) of the transmitting system which is located in a remote location. Additionally, in receiving and transmitting data through the wireless data network, the receiving system may be provided with a common interface, and also provided with a WAP, CDMA 1×EV-DO, which can be connected through a mobile telecommunication base station, such as CDMA and GSM, and also provided with a wireless LAN, mobile internet, WiBro, WiMax, which can be connected through an access point. The above-described receiving system corresponds to the system that is not equipped with a telecommunication function. However, a receiving system equipped with telecommunication function does not require the telecommunication module **919**.

The broadcasting data being transmitted and received through the above-described wireless data network may include data required for performing the function of limiting data reception. Meanwhile, the demultiplexer **903** receives either the real-time data outputted from the demodulating unit **902** or the data read from the third memory **918**, thereby performing demultiplexing. In this embodiment of the present invention, the demultiplexer **903** performs demultiplexing on the enhanced data packet. Similar process steps have already been described earlier in the description of the present invention. Therefore, a detailed of the process of demultiplexing the enhanced data will be omitted for simplicity.

The first descrambler **904** receives the demultiplexed signals from the demultiplexer **903** and then descrambles the received signals. At this point, the first descrambler **904** may receive the authentication result received from the authentication unit **908** and other data required for the descrambling process, so as to perform the descrambling process. The audio decoder **905** and the video decoder **906** receive the signals descrambled by the first descrambler **904**, which are then decoded and outputted. Alternatively, if the first descrambler **904** did not perform the descrambling process, then the audio decoder **905** and the video decoder **906** directly decode and output the received signals. In this case, the decoded signals

are received and then descrambled by the second descrambler 907 and processed accordingly.

As described above, the digital broadcasting systems and methods of processing broadcast data according to the present invention have the following advantages. More specifically, the digital broadcasting receiving system and method according to the present invention is highly protected against (or resistant to) any error that may occur when transmitting supplemental data through a channel. And, the present invention is also highly compatible to the conventional receiving system. Moreover, the present invention may also receive the supplemental data without any error even in channels having severe ghost effect and noise.

Additionally, by inserting and transmitting known data in a particular position within a data area, the receiving performance of the receiving system that is liable to frequent changes may be enhanced. Particularly, by transmitting transmission parameters associated with the transmission signal in various positions using various methods, transmission parameters may be extracted by the receiving system so as to be efficiently used in data demodulation and data decoding. Furthermore, the present invention is even more effective when applied to mobile and portable receivers, which are also liable to a frequent change in channel and which require protection (or resistance) against intense noise.

It will be apparent to those skilled in the art that various modifications and variations can be made in the present invention without departing from the spirit or scope of the inventions. Thus, it is intended that the present invention covers the modifications and variations of this invention provided they come within the scope of the appended claims and their equivalents.

What is claimed is:

1. A digital television (DTV) transmitting system for processing broadcast data, the DTV transmitting system comprising:

- a randomizer configured to randomize enhanced data;
- a Reed-Solomon (RS) frame encoder configured to perform RS encoding and Cyclic Redundancy Check (CRC) encoding on the randomized enhanced data;
- a block processor configured to code the RS-CRC encoded enhanced data at a coding rate of $1/N$, wherein N is greater than 1;
- a group formatting unit configured to form a first data group including the enhanced data coded with the coding rate of $1/N$, known data sequences and signaling information and to deinterleave data of the first data group;
- a multiplexer configured to multiplex enhanced data packets including the deinterleaved data with main data packets including main data; and
- an interleaver configured to interleave data of the multiplexed data packets to output a second data group comprising first, second and third regions, the second region being positioned between the first and third regions, wherein the first and third regions include main data, RS parity data and enhanced data, and the second region includes enhanced data, known data sequences, signaling information and RS parity data, but no main data.

2. The DTV transmitting system of claim 1, wherein the signaling information includes data group information.

3. The DTV transmitting system of claim 1, further comprising a frame multiplexer configured to multiplex segment and field sync data with the data in the second data group.

4. A method of processing broadcast data in a digital television (DTV) transmitting system, the method comprising: randomizing enhanced data in a randomizer;

performing Reed-Solomon (RS) encoding and Cyclic Redundancy Check (CRC) encoding on the randomized enhanced data;

coding, by a block processor, the RS-CRC encoded enhanced data at a coding rate of $1/N$, wherein N is greater than 1;

forming a first data group including the enhanced data coded with the coding rate of $1/N$, known data sequences and signaling information;

deinterleaving data of the first data group;

multiplexing enhanced data packets including the deinterleaved data with main data packets including main data; and

interleaving data of the multiplexed data packets to output a second data group comprising first, second and third regions, the second region being positioned between the first and third regions, wherein the first and third regions include main data, RS parity data and enhanced data, and the second region includes enhanced data, known data sequences, signaling information and RS parity data, but no main data.

5. The method of claim 4, wherein the signaling information includes data group information.

6. The method of claim 4, further comprising:

multiplexing segment and field sync data with the data in the second data group.

7. A digital television (DTV) receiving system for processing broadcast data, the DTV receiving system comprising:

- a tuner configured to receive a digital broadcast signal including a data group comprising first, second and third regions, the second region being positioned between the first and third regions, wherein the first and third regions include main data, Reed-Solomon (RS) parity data and enhanced data, and the second region includes enhanced data, known data sequences, signaling information and RS parity data, but no main data;

a demodulator configured to demodulate the digital broadcast signal;

an equalizer configured to compensate a channel distortion of the demodulated signal;

a block decoder configured to decode enhanced data in the channel-equalized signal; and

a frame decoder configured to decode the decoded enhanced data for error correction.

8. The DTV receiving system of claim 7, further comprising a known data detector configured to detect the known data sequences from the digital broadcast signal.

9. A method of processing broadcast data in a digital television (DTV) receiving system, the method comprising:

- tuning, by a tuner, to a channel to receive a digital broadcast signal including a data group comprising first, second and third regions, the second region being positioned between the first and third regions, wherein the first and third regions include main data, Reed-Solomon (RS) parity data and enhanced data, and the second region includes enhanced data, known data sequences, signaling information and RS parity data, but no main data;

demodulating the digital broadcast signal in a demodulator;

compensating a channel distortion of the demodulated signal;

decoding enhanced data in the channel-equalized signal;

and decoding the decoded enhanced data for error correction.

10. A digital television (DTV) transmitting system for processing digital broadcast data, the DTV transmitting system comprising:

45

a signal generator for generating a first data group comprising first, second, and third regions, the second region of the first data group being positioned between the first and third regions, wherein the first and third regions include no enhanced data, and the second region includes enhanced data, known data sequences, signaling information and Reed-Solomon (RS) parity data, but no main data;

an interleaver for interleaving data of the first data group to output a second data group, the second data group comprising fourth, fifth and sixth regions, the fifth region being positioned between the fourth and sixth regions, wherein the fourth and sixth regions include main data, RS parity data and enhanced data, and the fifth region includes enhanced data, known data sequences, signaling information and RS parity data, but no main data;

a trellis encoder for trellis encoding data of the second data group; and

a modulator for modulating a broadcast signal including the trellis-encoded data.

11. A method of processing digital broadcast data in a digital television (DTV) transmitting system, the method comprising:

generating a first data group comprising first, second, and third regions, the second region of the first data group being positioned between the first and third regions, wherein the first and third regions include no enhanced data, and the second region includes enhanced data, known data sequences, signaling information and Reed-Solomon (RS) parity data, but no main data;

interleaving, by an interleaver, data of the first data group to output a second data group, the second data group comprising fourth, fifth and sixth regions, the fifth region being positioned between the fourth and sixth regions, wherein the fourth and sixth regions include main data, RS parity data and enhanced data, and the fifth region includes enhanced data, known data sequences, signaling information and RS parity data, but no main data;

trellis encoding data of the second data group; and

modulating a broadcast signal including the trellis-encoded data.

12. A digital television (DTV) receiving system for processing digital broadcast data, the DTV receiving system comprising:

a tuner for receiving a broadcast signal from a DTV transmitting system, wherein the broadcast signal is generated by:

generating a first data group comprising first, second, and third regions, the second region of the first data group being positioned between the first and third regions, wherein the first and third regions include no enhanced data, and the second region includes

46

enhanced data, known data sequences, signaling information and Reed-Solomon (RS) parity data, but no main data,

interleaving data of the first data group to output a second data group, the second data group comprising fourth, fifth and sixth regions, the fifth region being positioned between the fourth and sixth regions, wherein the fourth and sixth regions include main data, RS parity data and enhanced data, and the fifth region includes enhanced data, known data sequences, signaling information and RS parity data, but no main data, and

trellis encoding data of the second data group;

an equalizer for compensating a channel distortion in the received broadcast signal using the known data sequences; and

a decoder for decoding the channel distortion compensated broadcast signal.

13. A method of processing digital broadcast data in a digital television (DTV) receiving system, the method comprising:

receiving, by a tuner, a broadcast signal from a DTV transmitting system, wherein the broadcast signal is generated by:

generating a first data group comprising first, second, and third regions, the second region of the first data group being positioned between the first and third regions, wherein the first and third regions include no enhanced data, and the second region includes enhanced data, known data sequences, signaling information and Reed-Solomon (RS) parity data, but no main data,

interleaving data of the first data group to output a second data group, the second data group comprising fourth, fifth and sixth regions, the fifth region being positioned between the fourth and sixth regions, wherein the fourth and sixth regions include main data, RS parity data and enhanced data, and the fifth region includes enhanced data, known data sequences, signaling information and RS parity data, but no main data, and

trellis encoding data of the second data group;

compensating a channel distortion in the received broadcast signal using the known data sequences; and

decoding the channel distortion compensated broadcast signal.

14. *The method of claim 12, wherein the known data sequences are periodically located in the second region.*

15. *The method of claim 13, wherein the known data sequences are periodically located in the second region.*

* * * * *