



US00RE45934E

(19) **United States**
(12) **Reissued Patent**
Kent et al.

(10) **Patent Number:** **US RE45,934 E**
(45) **Date of Reissued Patent:** **Mar. 22, 2016**

- (54) **FIREBOX**
- (71) Applicant: **Greenway Home Products Ltd.,**
Guelph (CA)
- (72) Inventors: **Jason Kent, Guelph (CA); Douglas G.**
Greenway, Guelph (CA)
- (73) Assignee: **Greenway Home Products, Ltd.,**
Guelph
- (21) Appl. No.: **29/462,876**
- (22) Filed: **Aug. 9, 2013**

7,726,299	B2 *	6/2010	Reyher	126/512
D638,922	S *	5/2011	Zhou	D23/344
D658,750	S *	5/2012	Nemes	D23/344
D664,634	S *	7/2012	Kent et al.	D23/343
D668,325	S *	10/2012	Kent et al.	D23/343
D671,200	S *	11/2012	Kent et al.	D23/343
D693,918	S *	11/2013	Whalen	D23/405
D694,873	S *	12/2013	Nemes et al.	D23/405
2005/0000511	A1 *	1/2005	McDonald	126/523

* cited by examiner

Primary Examiner — Philip S Hyder
Assistant Examiner — Darlington Ly

Related U.S. Patent Documents

Reissue of:

- (64) Patent No.: **Des. 671,200**
- Issued: **Nov. 20, 2012**
- Appl. No.: **29/395,224**
- Filed: **Dec. 20, 2011**

- (51) **LOC (10) Cl.** **23-03**
- (52) **U.S. Cl.**
- USPC **D23/343**

- (58) **Field of Classification Search**
- USPC D23/336, 341, 342, 343, 344, 345, 347,
D23/349, 351, 355, 364, 370, 378, 381,
D23/403-410, 415-422, 499; D7/332, 402,
D7/407, 417; D15/144; 126/91 R, 92 AC,
126/92 B, 200, 201, 258, 298, 500, 512,
126/540, 543, 544, 548, 555, 547; 40/428,
40/798; 44/520, 530; 52/36.3; 160/DIG. 9;
219/549; 431/263, 273, 329

See application file for complete search history.

(56) **References Cited**

U.S. PATENT DOCUMENTS

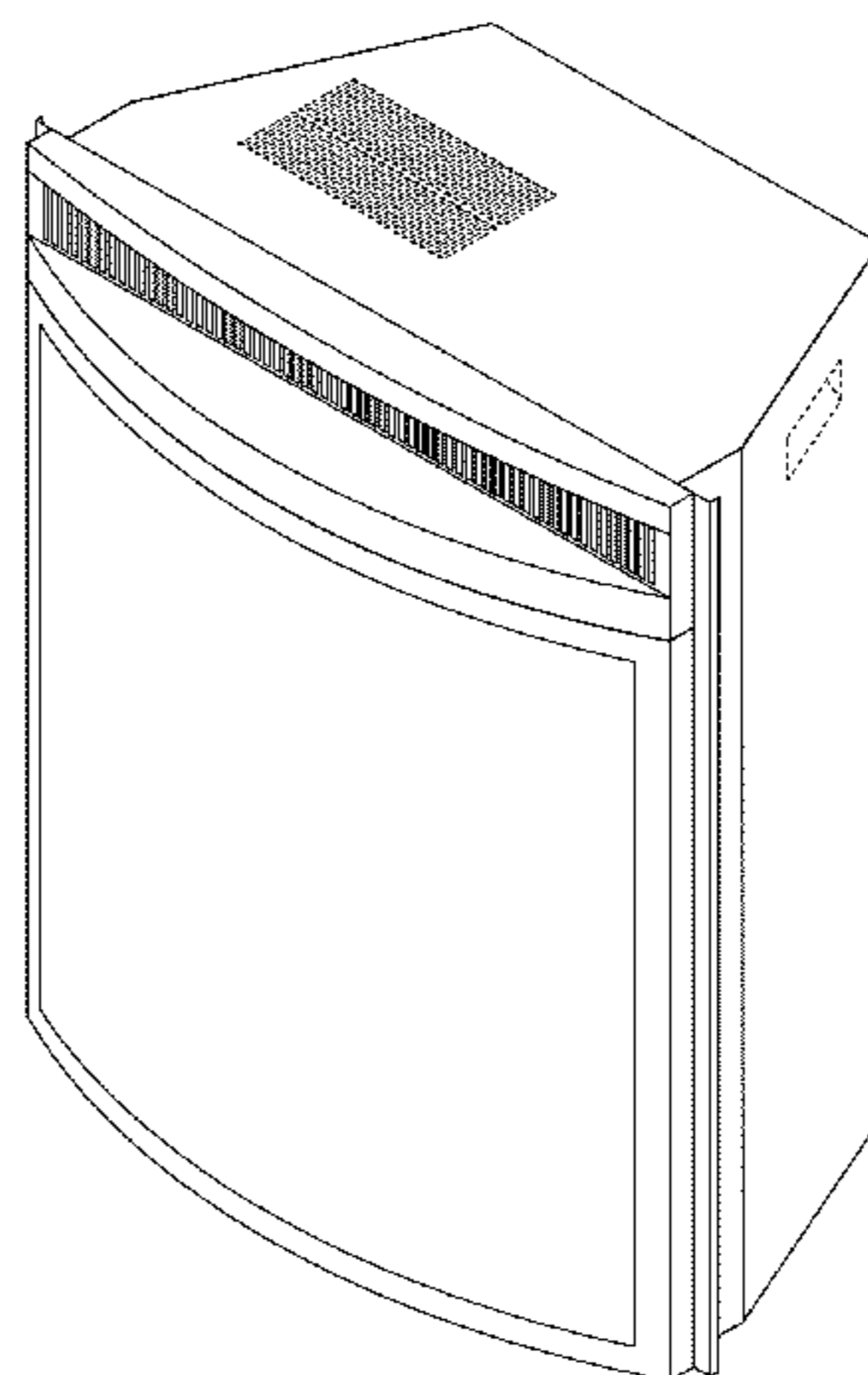
D264,497	S *	5/1982	Morande, Jr.	D23/344
D301,610	S *	6/1989	Craver	D23/344
5,626,127	A *	5/1997	Maitland et al.	126/523
D390,936	S *	2/1998	French et al.	D23/350
5,775,408	A *	7/1998	Shimek et al.	165/48.1
D591,409	S *	4/2009	Kashimoto	D23/351
D591,410	S *	4/2009	Kashimoto	D23/351

(57) **CLAIM**

The ornamental design for a firebox, as shown and described.

DESCRIPTION

FIG. 1 is a front perspective view of the firebox.
 FIG. 2 is a back perspective view of the firebox.
 FIG. 3 is a front [plan] elevation view of the firebox.
 FIG. 4 is a back [plan] elevation view of the firebox.
 FIG. 5 is a right [plan] elevation view of the firebox.
 FIG. 6 is a left [plan] elevation view of the firebox.
 FIG. 7 is a top [plan] elevation view of the firebox.
 FIG. 8 is a bottom [plan] elevation view of the firebox.
 In accordance with a second variant of the present design:
 FIG. 9 is a front perspective view of the firebox.
 FIG. 10 is a back perspective view of the firebox.
 FIG. 11 is a front [plan] elevation view of the firebox.
 FIG. 12 is a back [plan] elevation view of the firebox.
 FIG. 13 is a right [plan] elevation view of the firebox.
 FIG. 14 is a left [plan] elevation view of the firebox.
 FIG. 15 is a top [plan] elevation view of the firebox.
 FIG. 16 is a bottom [plan] elevation view of the firebox.
 In accordance with a third variant of the present design:
 FIG. 17 is a front perspective view of the firebox.
 FIG. 18 is a back perspective view of the firebox.
 FIG. 19 is a front [plan] elevation view of the firebox.
 FIG. 20 is a back [plan] elevation view of the firebox.
 FIG. 21 is a right [plan] elevation view of the firebox.
 FIG. 22 is a left [plan] elevation view of the firebox.
 FIG. 23 is a top [plan] elevation view of the firebox.
 FIG. 24 is a bottom [plan] elevation view of the firebox.



In accordance with a fourth variant of the present design:

FIG. 25 is a front perspective view of the firebox.
 FIG. 26 is a back perspective view of the firebox.
 FIG. 27 is a front [plan] elevation view of the firebox.
 FIG. 28 is a back [plan] elevation view of the firebox.
 FIG. 29 is a right [plan] elevation view of the firebox.
 FIG. 30 is a left [plan] elevation view of the firebox.
 FIG. 31 is a top [plan] elevation view of the firebox.
 FIG. 32 is a bottom [plan] elevation view of the firebox.

In accordance with a fifth variant of the present design:

FIG. 33 is a front perspective view of the firebox.
 FIG. 34 is a back perspective view of the firebox.
 FIG. 35 is a front [plan] elevation view of the firebox.
 FIG. 36 is a back [plan] elevation view of the firebox.
 FIG. 37 is a right [plan] elevation view of the firebox.
 FIG. 38 is a left [plan] elevation view of the firebox.
 FIG. 39 is a top [plan] elevation view of the firebox.
 FIG. 40 is a bottom [plan] elevation view of the firebox.

In accordance with a sixth variant of the present design:

FIG. 41 is a front perspective view of the firebox.
 FIG. 42 is a back perspective view of the firebox.
 FIG. 43 is a front [plan] elevation view of the firebox.
 FIG. 44 is a back [plan] elevation view of the firebox.
 FIG. 45 is a right [plan] elevation view of the firebox.
 FIG. 46 is a left [plan] elevation view of the firebox.
 FIG. 47 is a top [plan] elevation view of the firebox.
 FIG. 48 is a bottom [plan] elevation view of the firebox.

In accordance with a seventh variant of the present design:

FIG. 49 is a front perspective view of the firebox.
 FIG. 50 is a back perspective view of the firebox.
 FIG. 51 is a front [plan] elevation view of the firebox.
 FIG. 52 is a back [plan] elevation view of the firebox.
 FIG. 53 is a right [plan] elevation view of the firebox.
 FIG. 54 is a left [plan] elevation view of the firebox.
 FIG. 55 is a top [plan] elevation view of the firebox.
 FIG. 56 is a bottom [plan] elevation view of the firebox.

In accordance with an eighth variant of the present design:

FIG. 57 is a front perspective view of the firebox.
 FIG. 58 is a back perspective view of the firebox.
 FIG. 59 is a front [plan] elevation view of the firebox.
 FIG. 60 is a back [plan] elevation view of the firebox.

FIG. 61 is a right [plan] elevation view of the firebox.
 FIG. 62 is a left [plan] elevation view of the firebox.
 FIG. 63 is a top [plan] elevation view of the firebox.
 FIG. 64 is a bottom [plan] elevation view of the firebox.

In accordance with a ninth variant of the present design:

FIG. 65 is a front perspective view of the firebox.
 FIG. 66 is a back perspective view of the firebox.
 FIG. 67 is a front [plan] elevation view of the firebox.
 FIG. 68 is a back [plan] elevation view of the firebox.
 FIG. 69 is a right [plan] elevation view of the firebox.
 FIG. 70 is a left [plan] elevation view of the firebox.
 FIG. 71 is a top [plan] elevation view of the firebox.
 FIG. 72 is a bottom [plan] elevation view of the firebox.

In accordance with a tenth variant of the present design:

FIG. 73 is a front perspective view of the firebox.
 FIG. 74 is a back perspective view of the firebox.
 FIG. 75 is a front [plan] elevation view of the firebox.
 FIG. 76 is a back [plan] elevation view of the firebox.
 FIG. 77 is a right [plan] elevation view of the firebox.
 FIG. 78 is a left [plan] elevation view of the firebox.
 FIG. 79 is a top [plan] elevation view of the firebox.
 FIG. 80 is a bottom [plan] elevation view of the firebox.

[In accordance with a eleventh variant of the present design:

FIG. 81 is a front perspective view of the firebox.
 FIG. 82 is a back perspective view of the firebox.
 FIG. 83 is a front plan view of the firebox.
 FIG. 84 is a back plan view of the firebox.
 FIG. 85 is a right plan view of the firebox.
 FIG. 86 is a left plan view of the firebox.
 FIG. 87 is a top plan view of the firebox; and,
 FIG. 88 is a bottom plan view of the firebox.]

The broken [line showing is included for the purpose of illustrating portions of the article and] *lines in the drawings illustrate portions of the firebox that forms no part of the claimed design.*

1 Claim, 80 Drawing Sheets

Matter enclosed in heavy brackets [] appears in the original patent but forms no part of this reissue; matter printed in italics indicates the additions made by reissue.

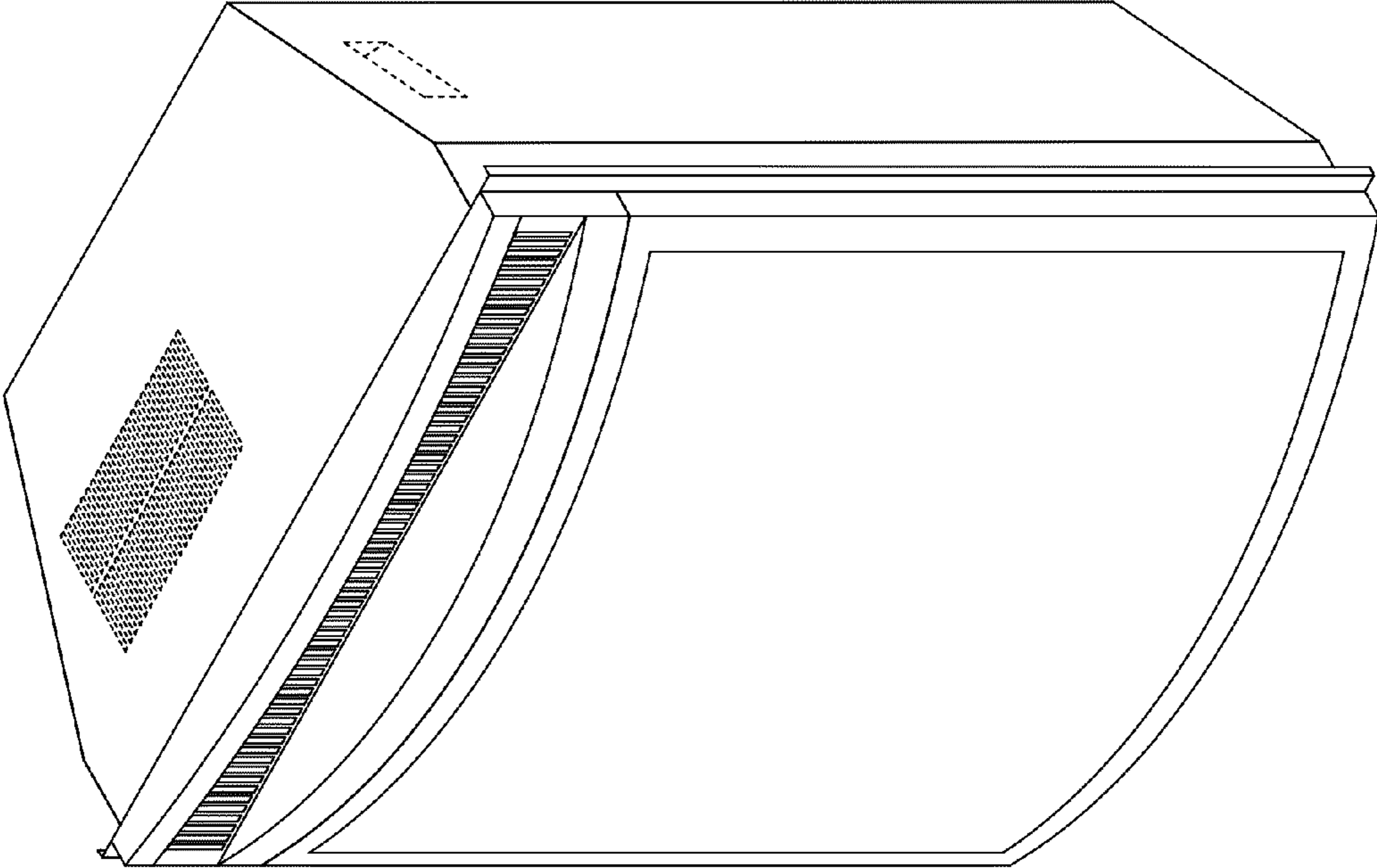


FIG.1

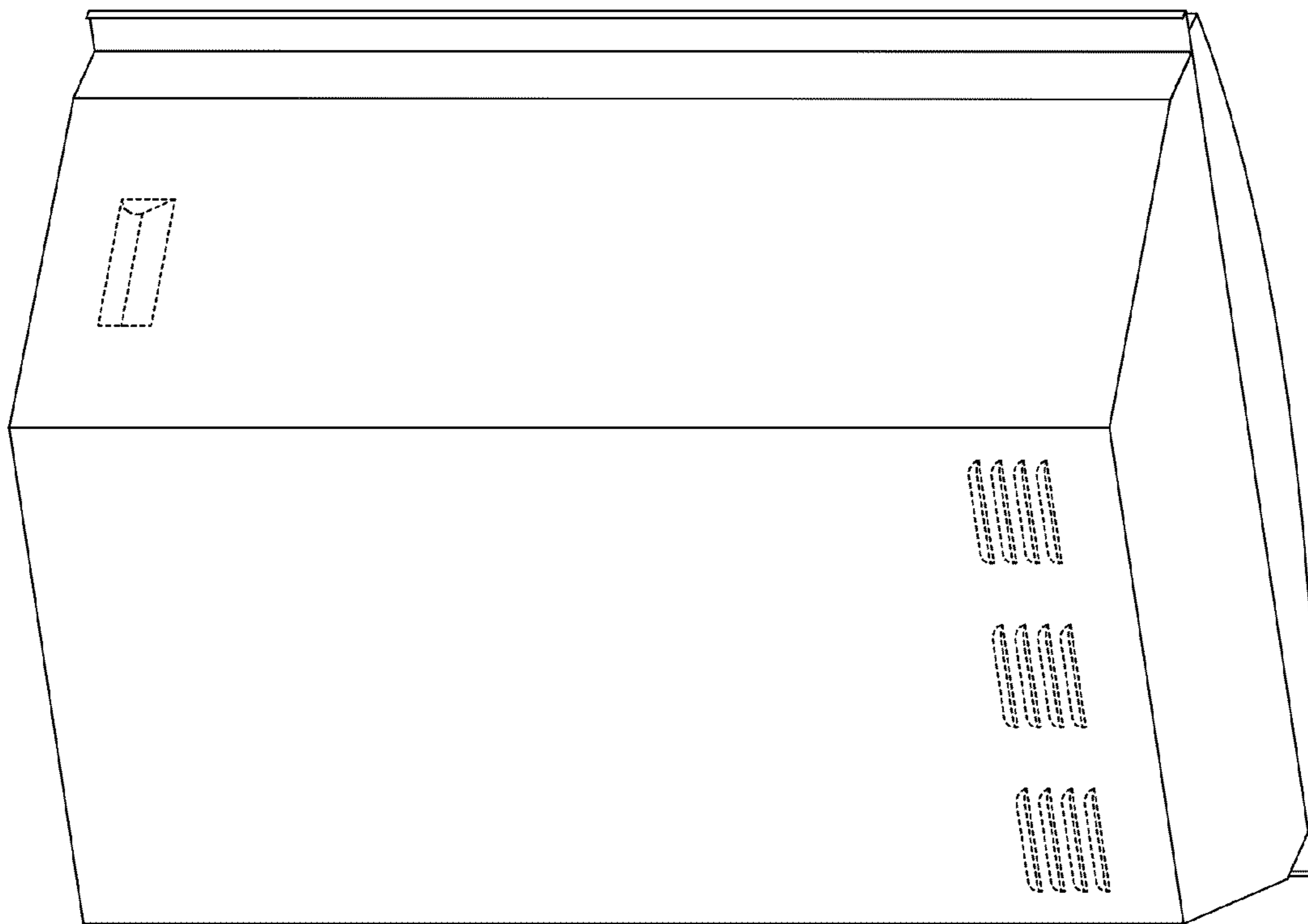


FIG.2

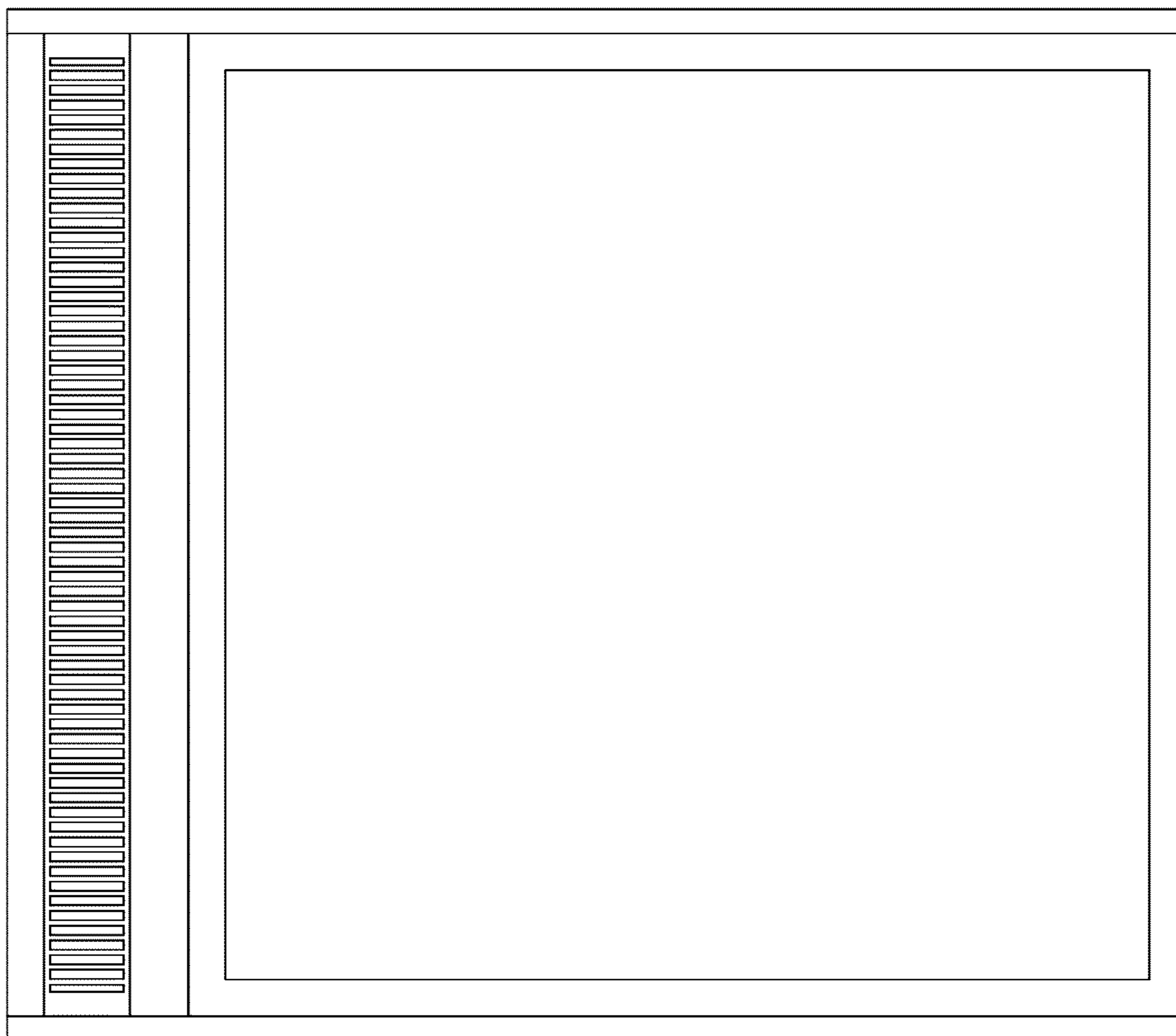


FIG.3

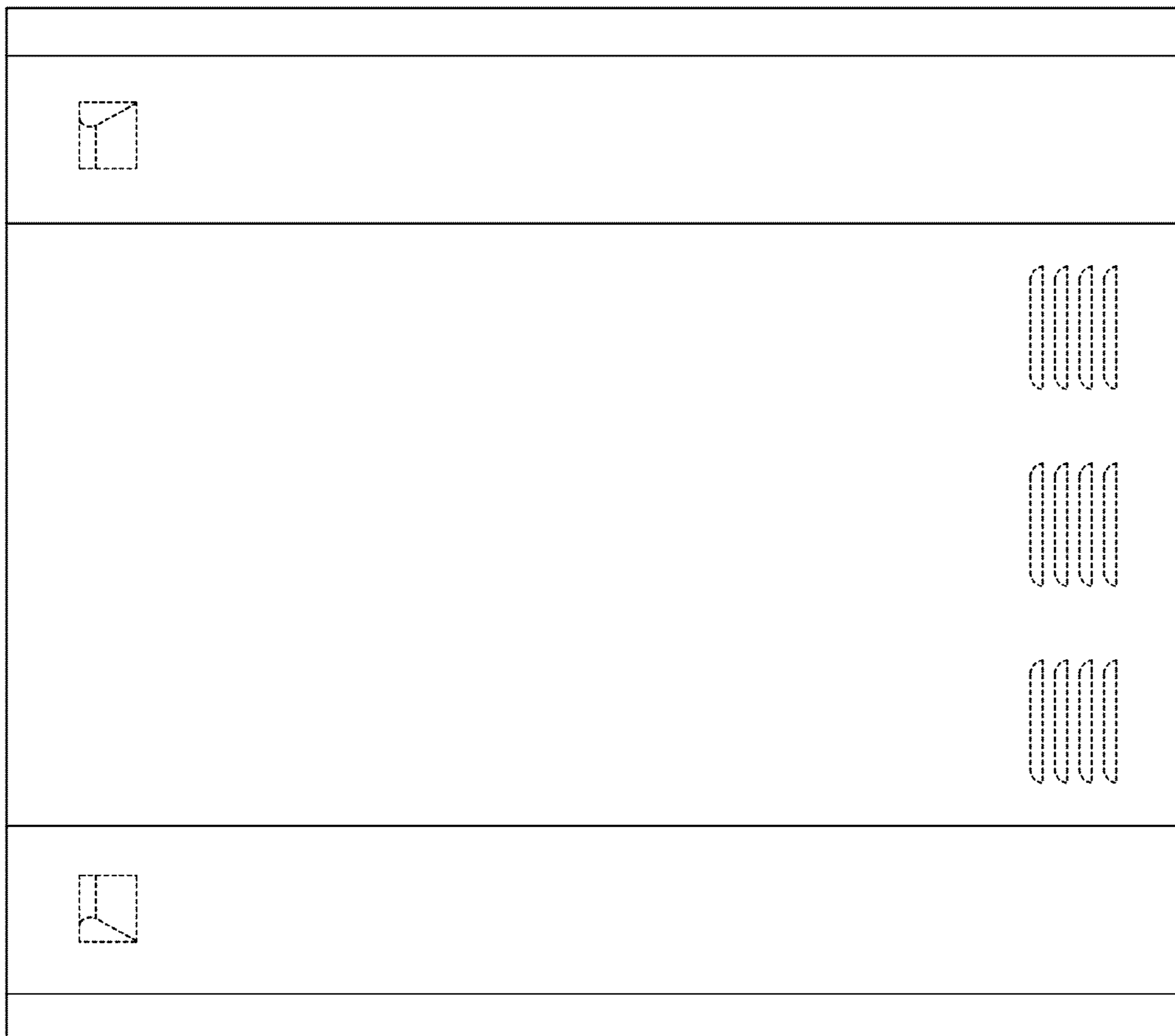


FIG.4



FIG.5

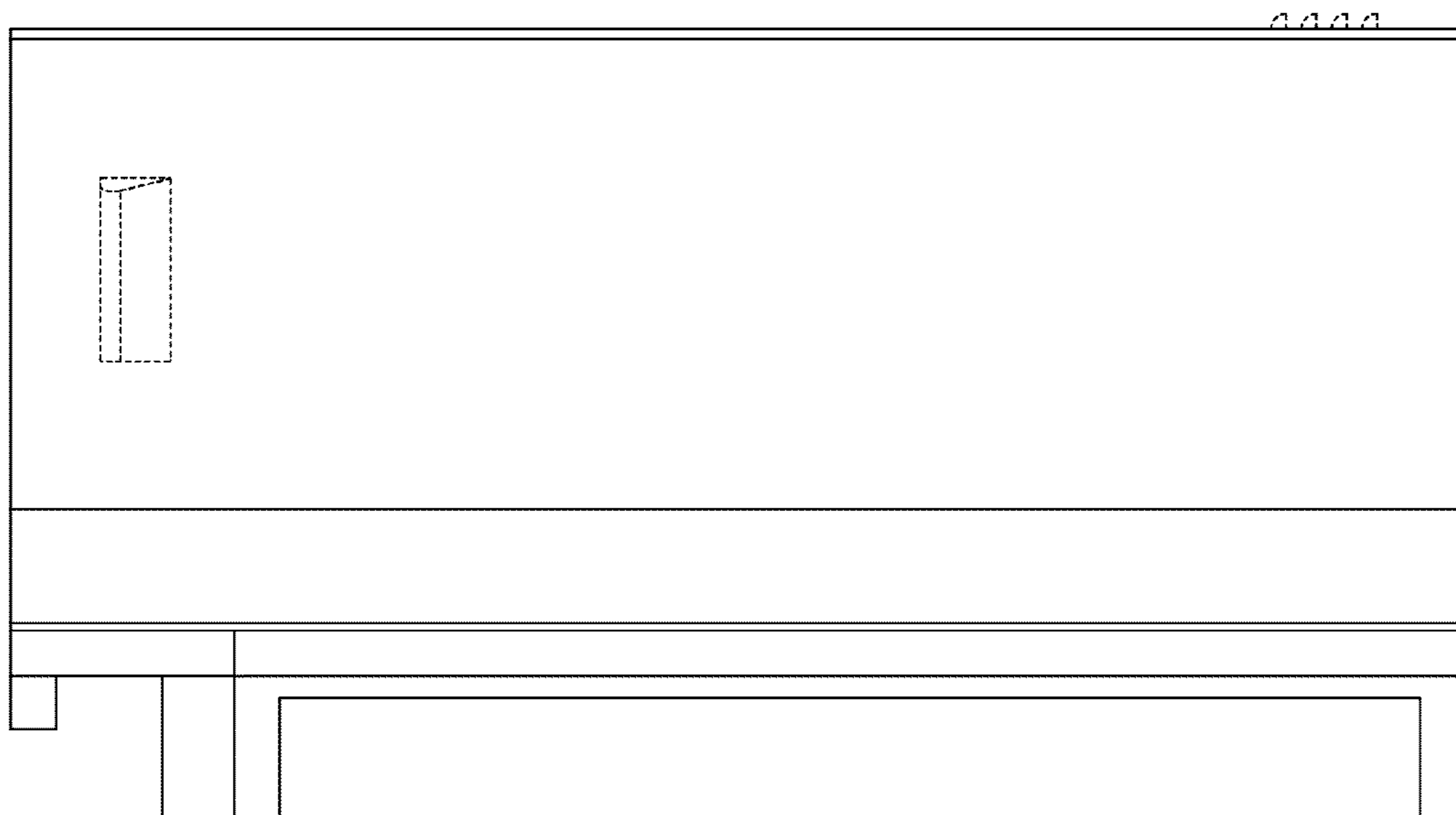


FIG. 6

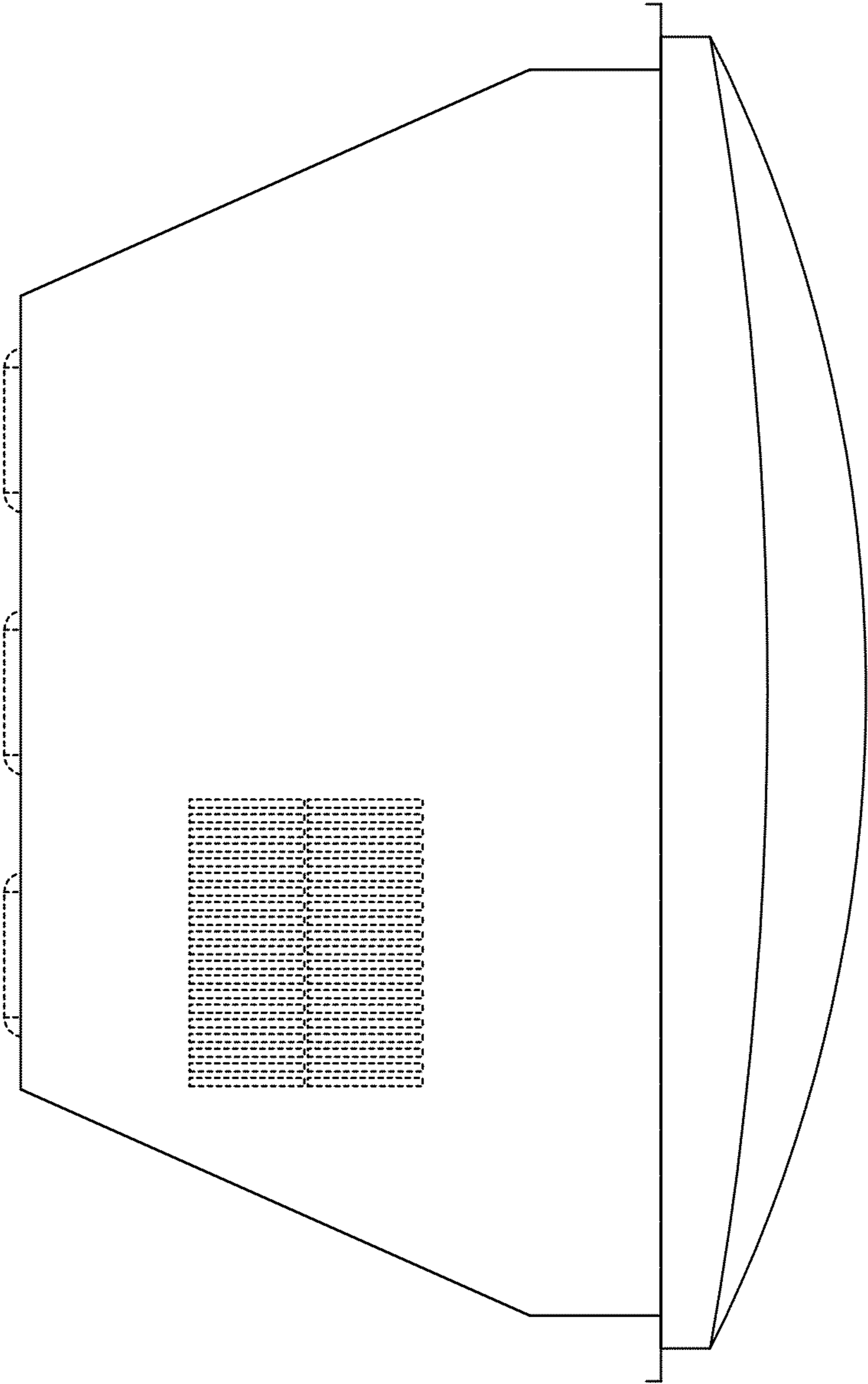


FIG.7

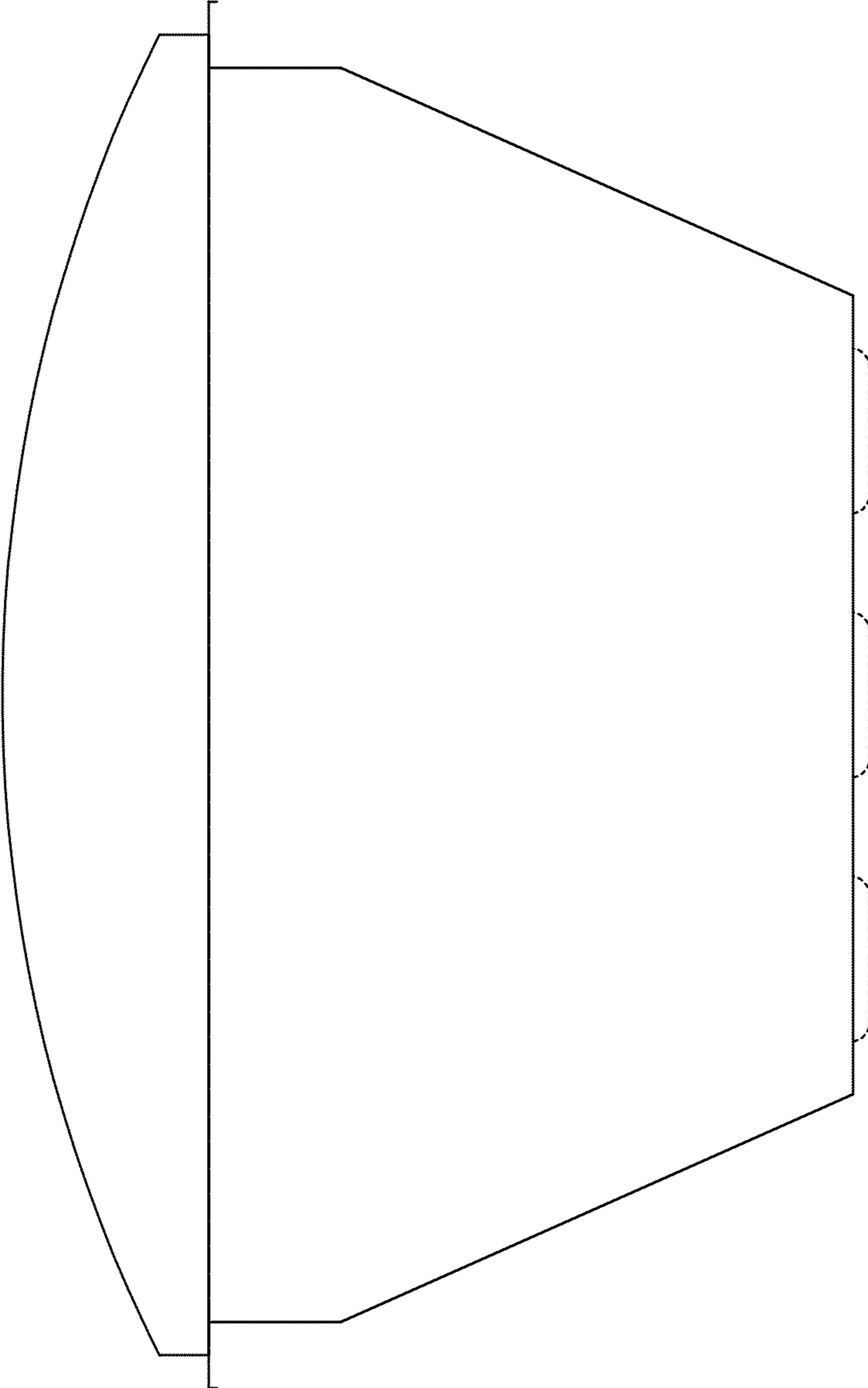


FIG.8

CANCELLED

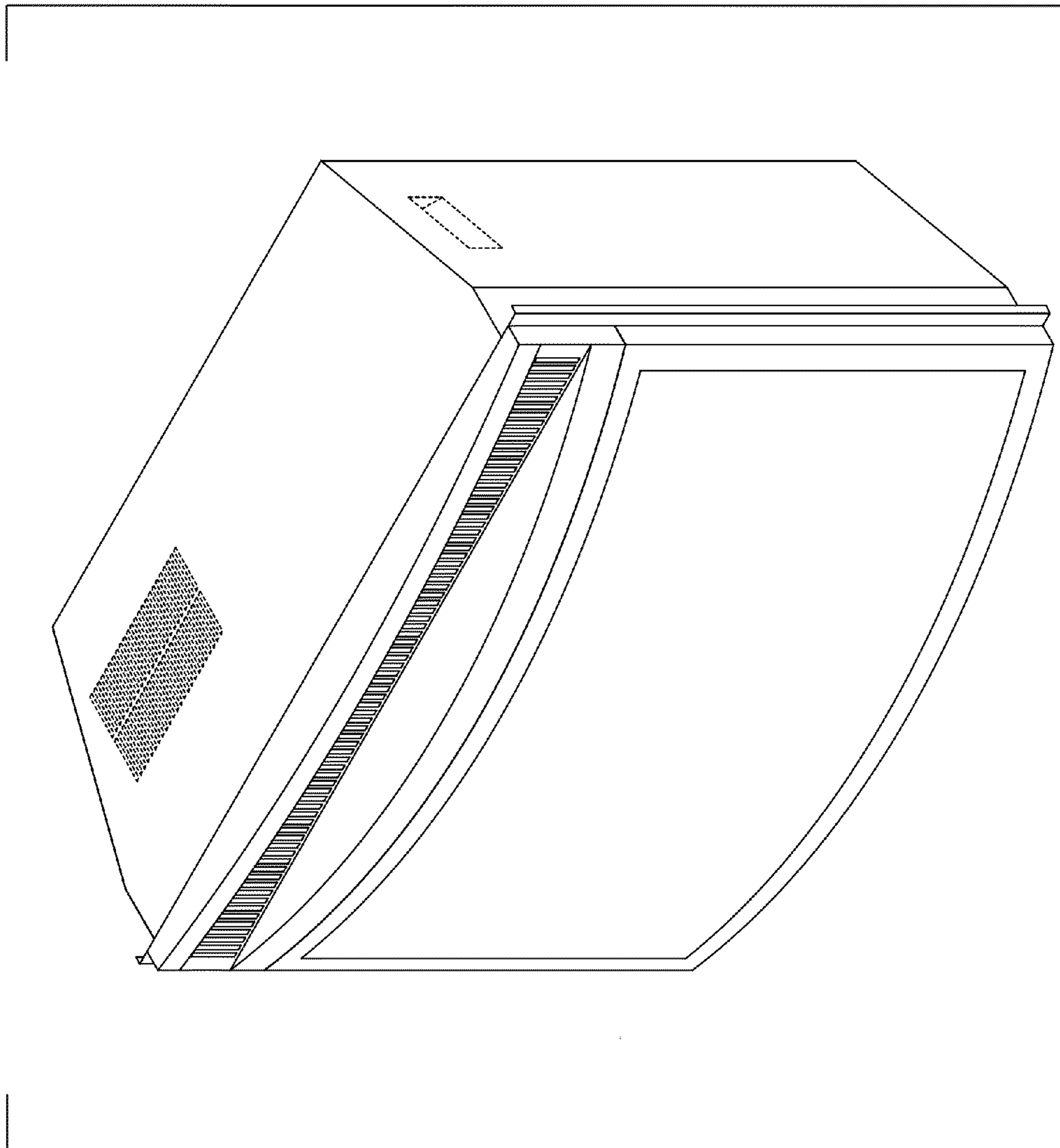


FIG.9

CANCELLED

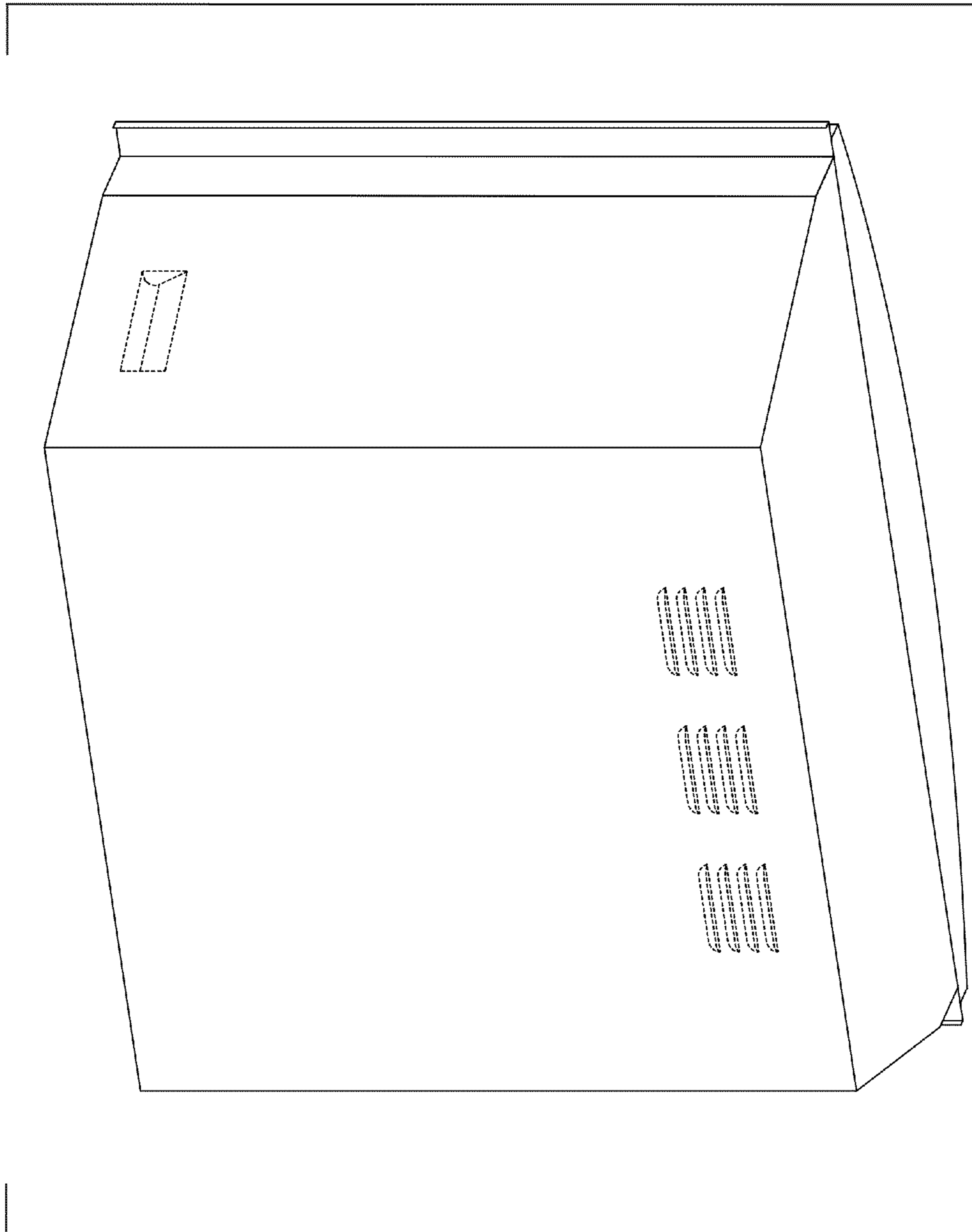


FIG.10

CANCELLED

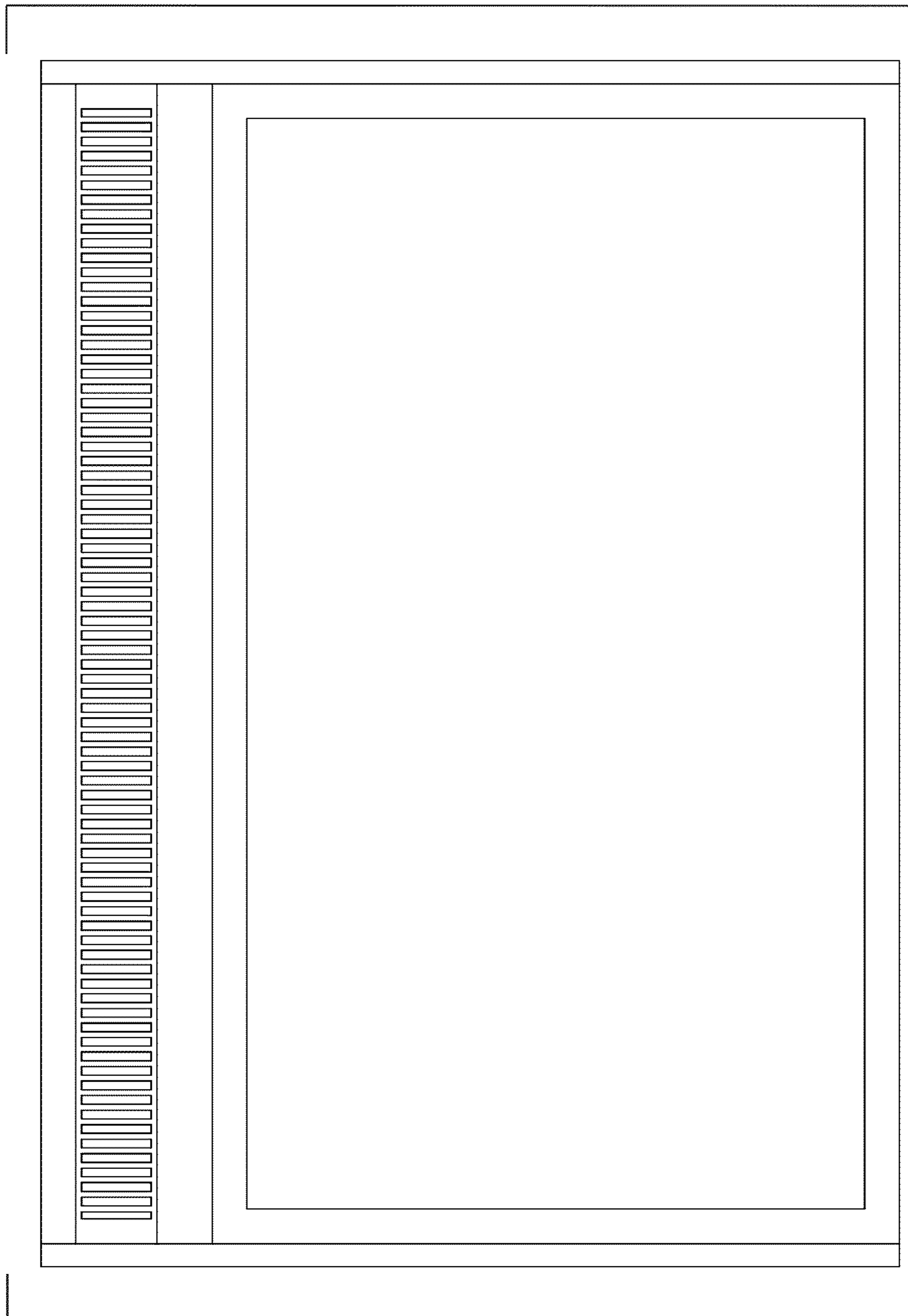


FIG. 11

CANCELLED

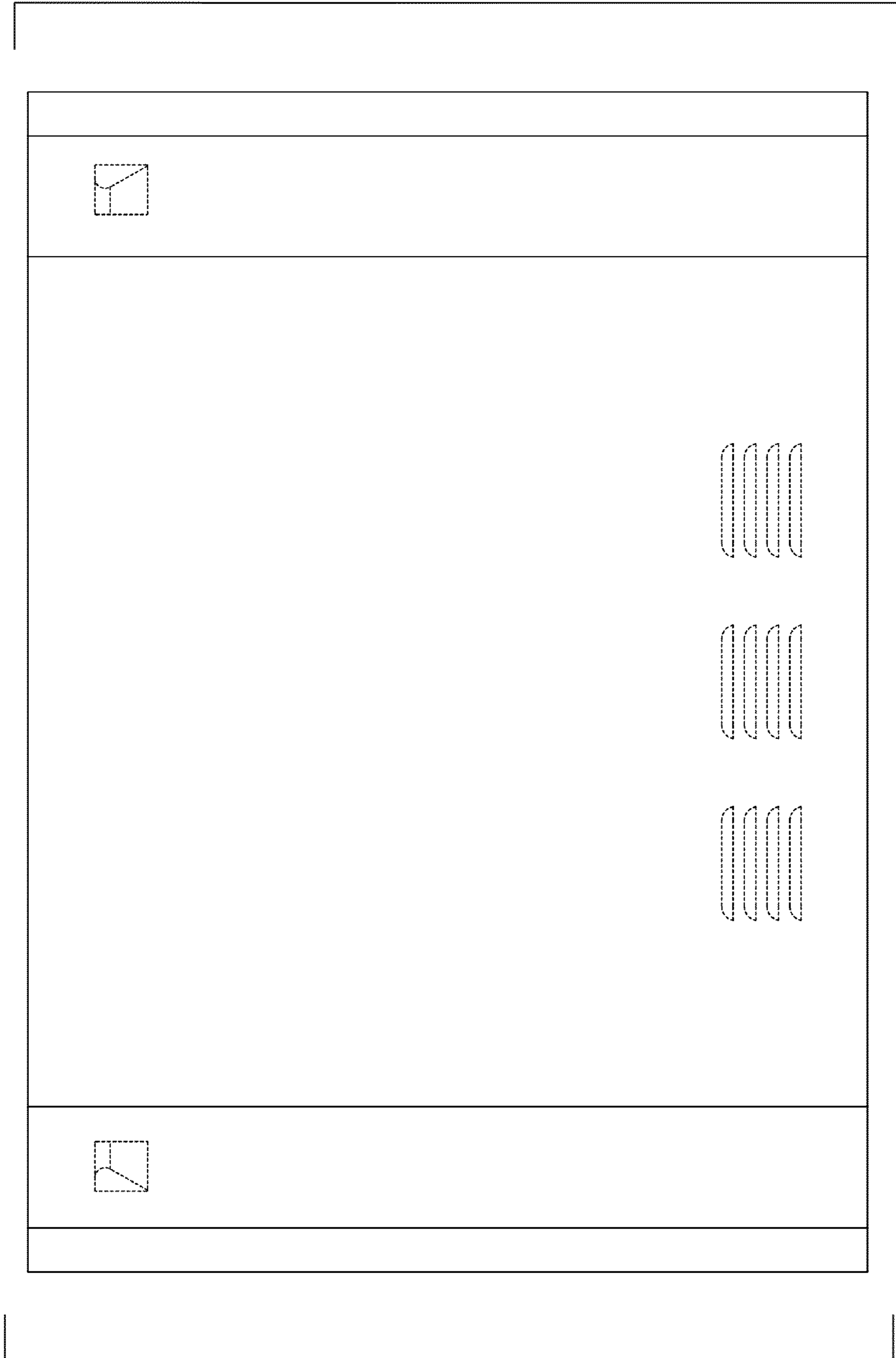


FIG.12

CANCELLED

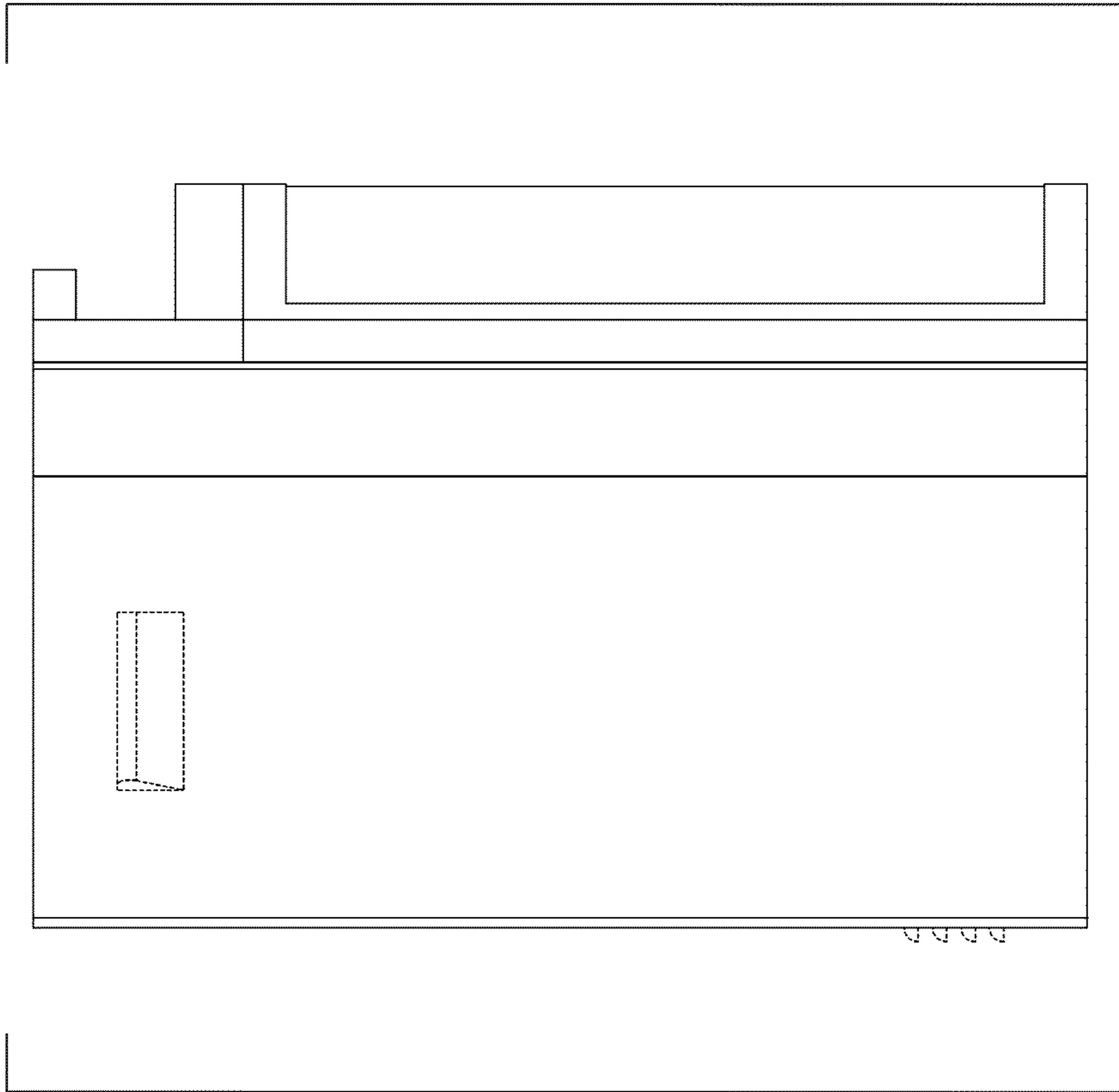


FIG.13

CANCELLED

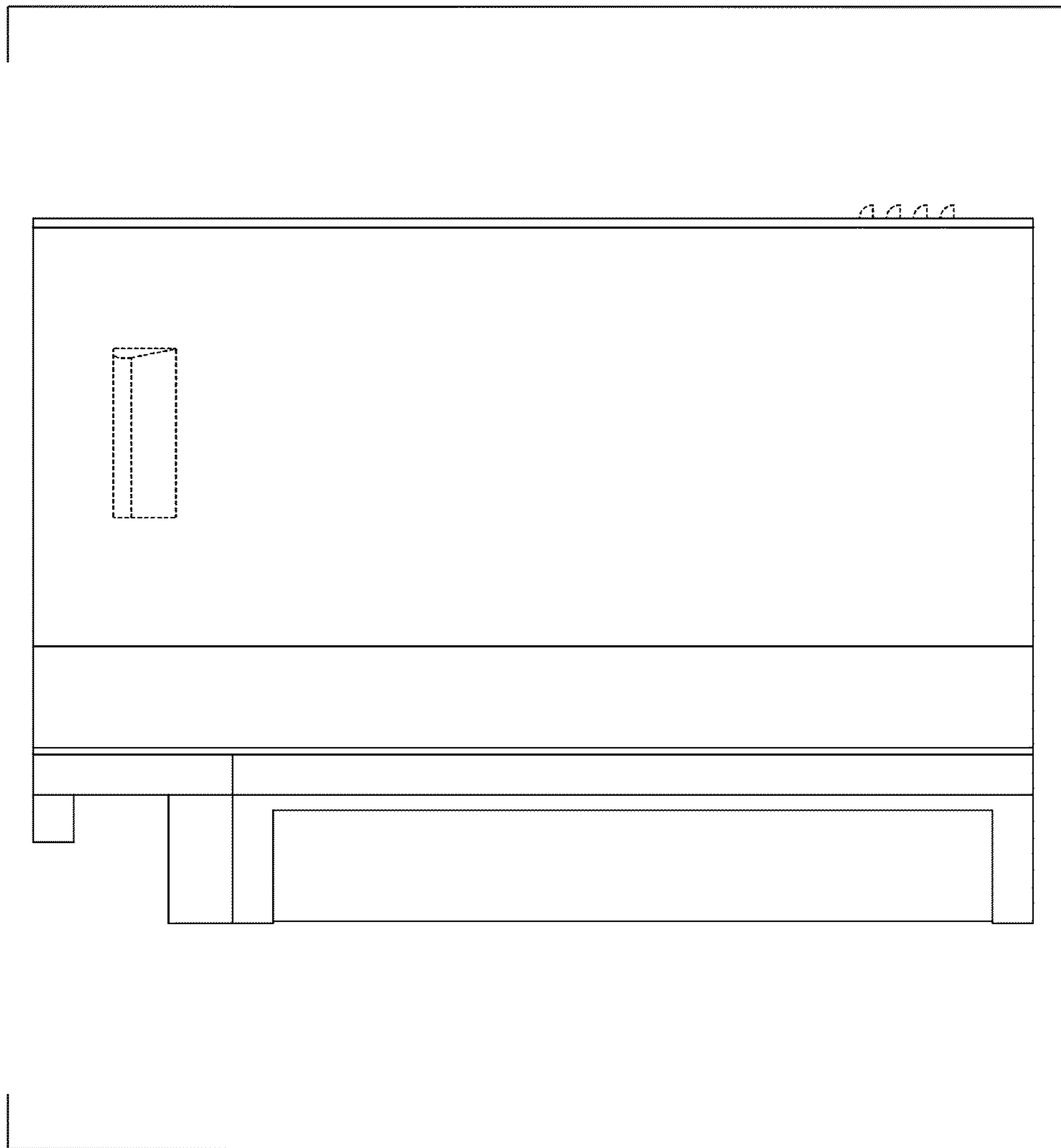


FIG.14

CANCELLED

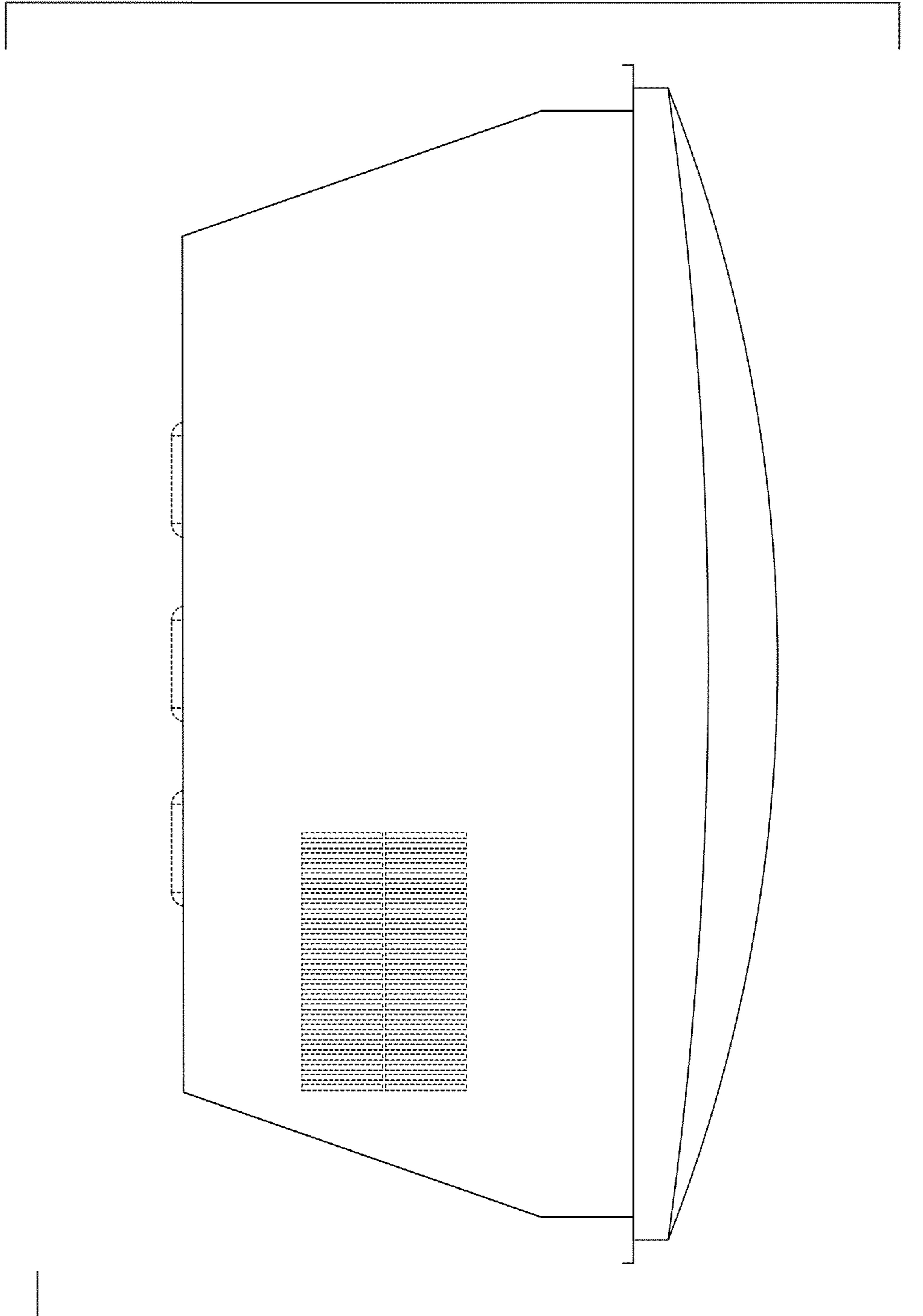


FIG.15

CANCELLED

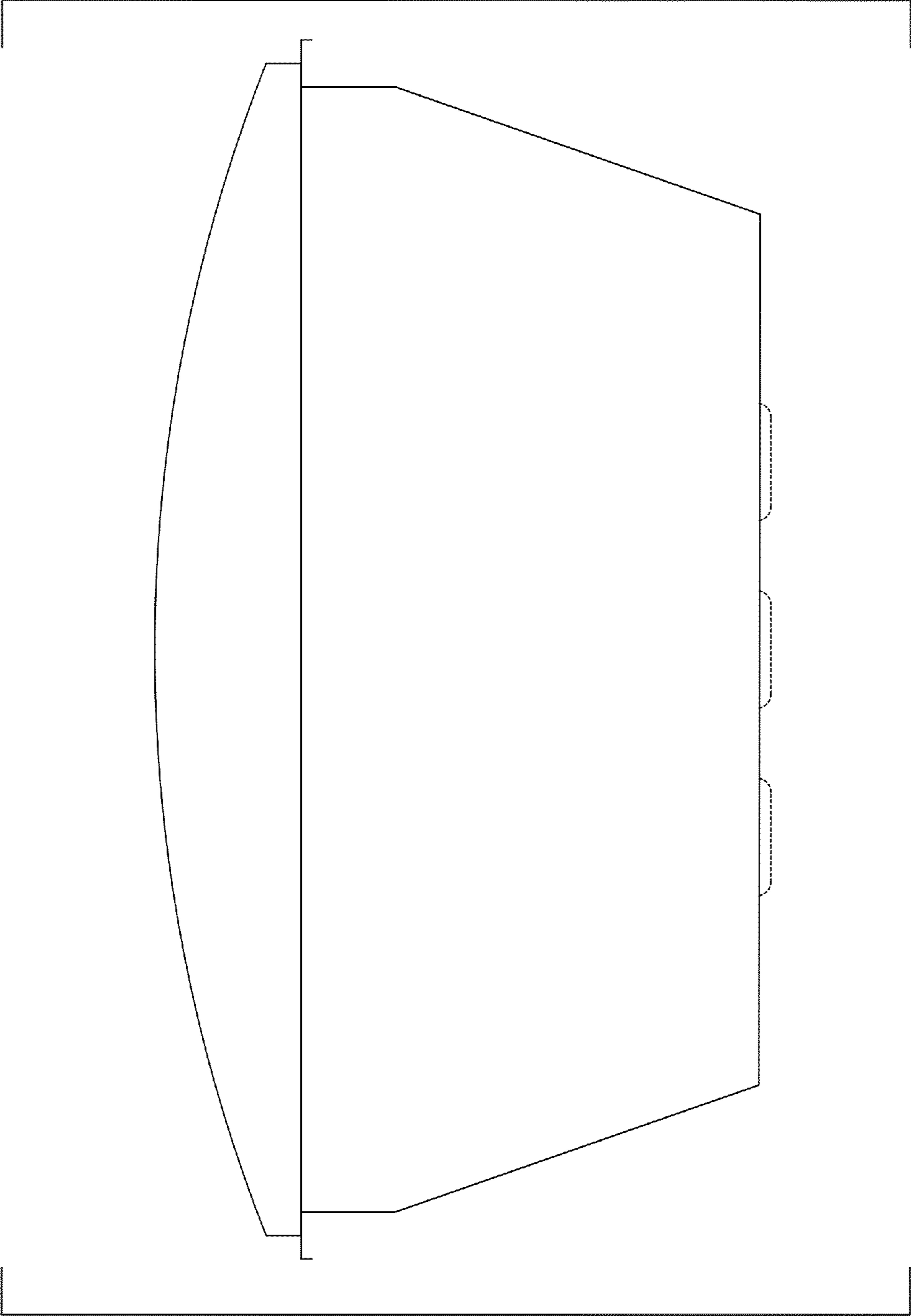


FIG.16

AMENDED

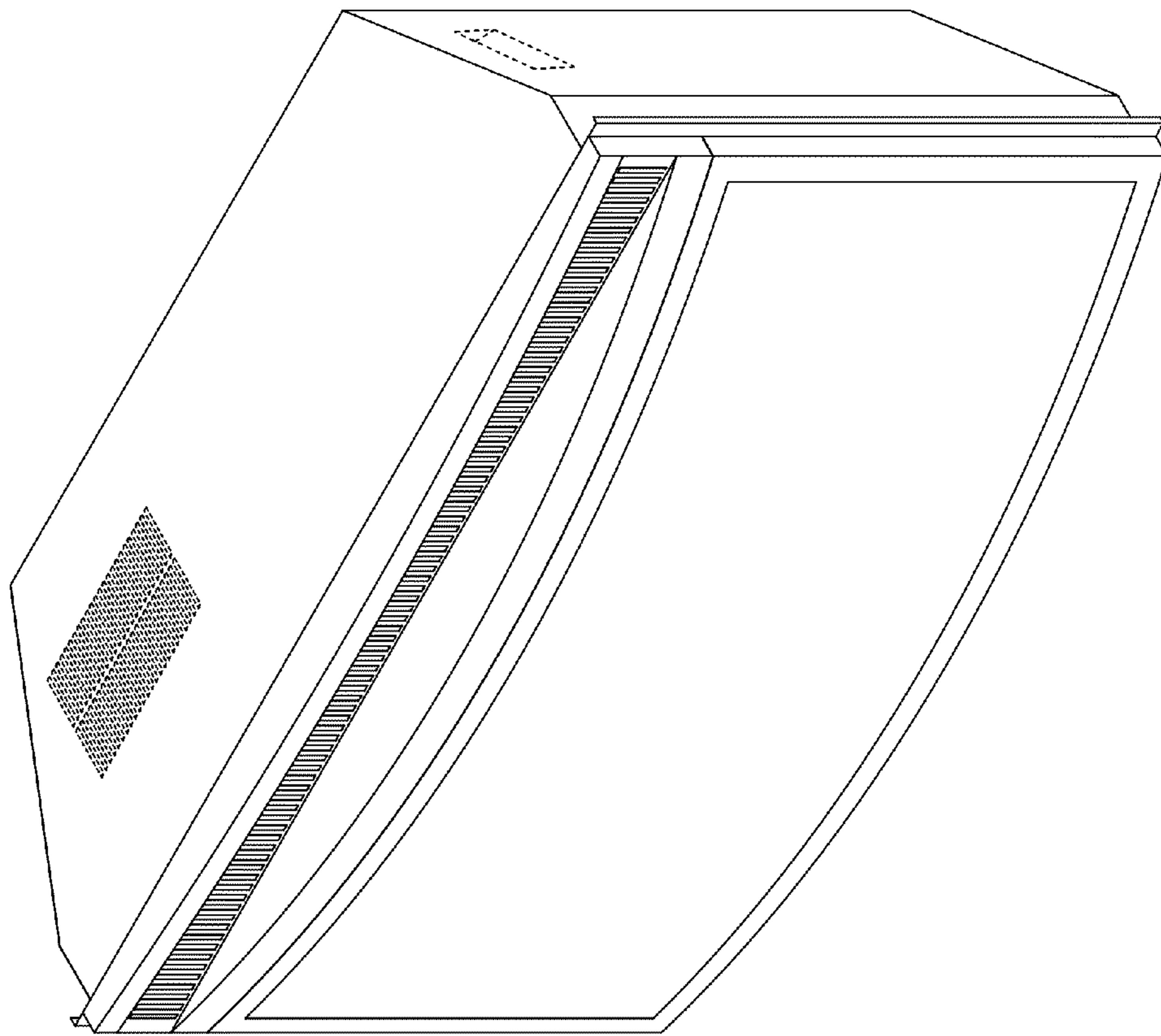


FIG.17

AMENDED

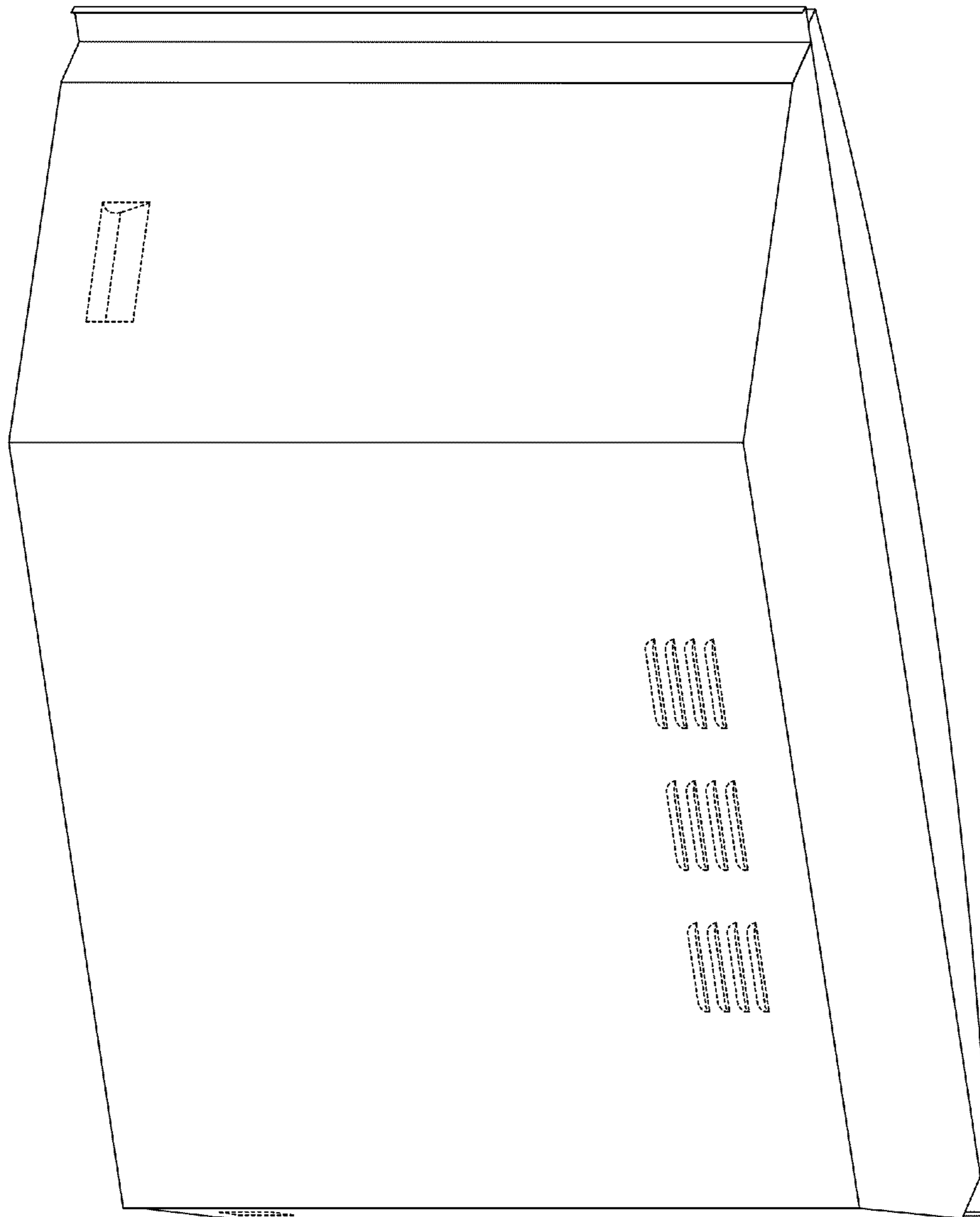


FIG.18

AMENDED

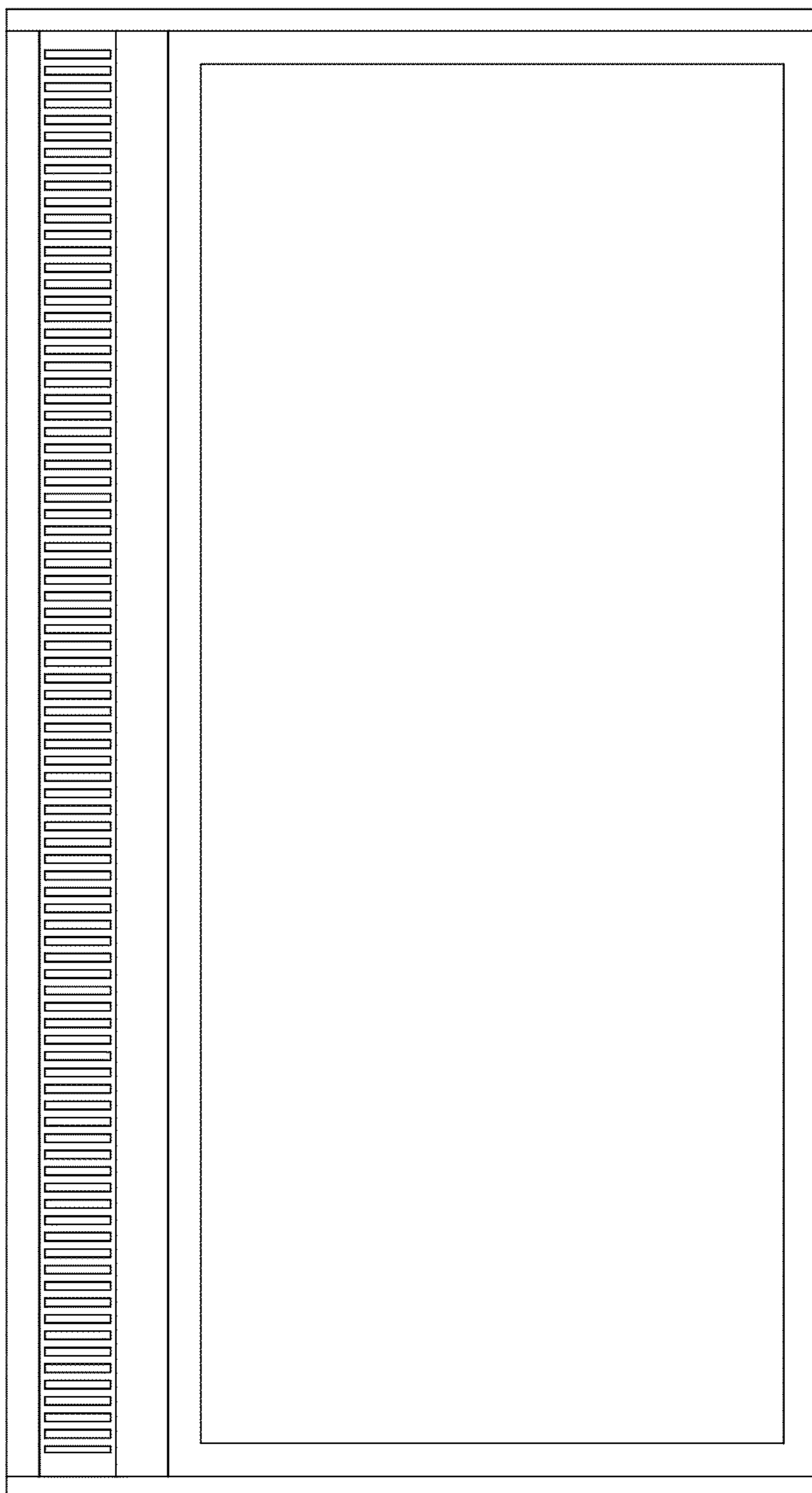


FIG.19

AMENDED

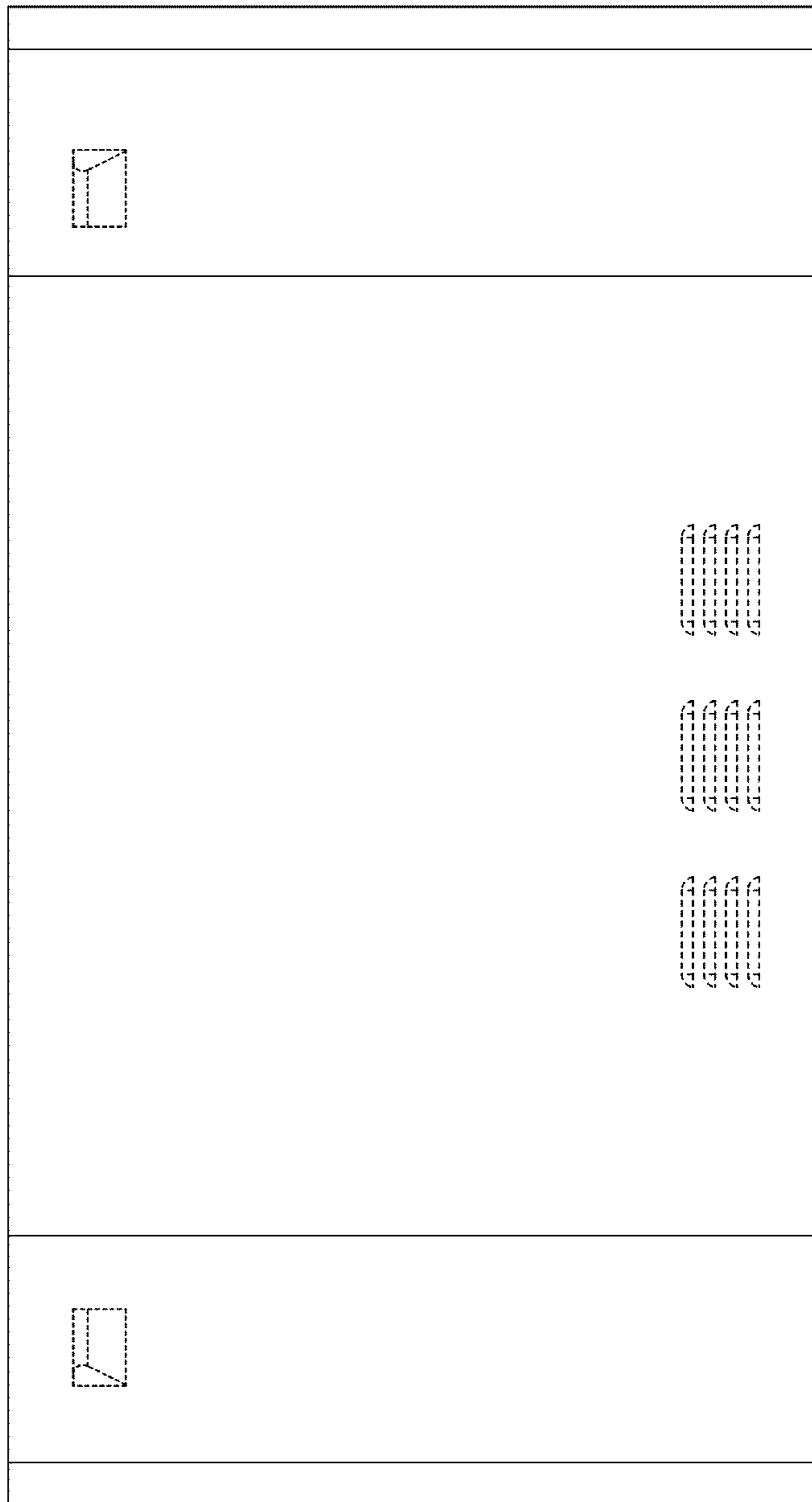


FIG.20

AMENDED

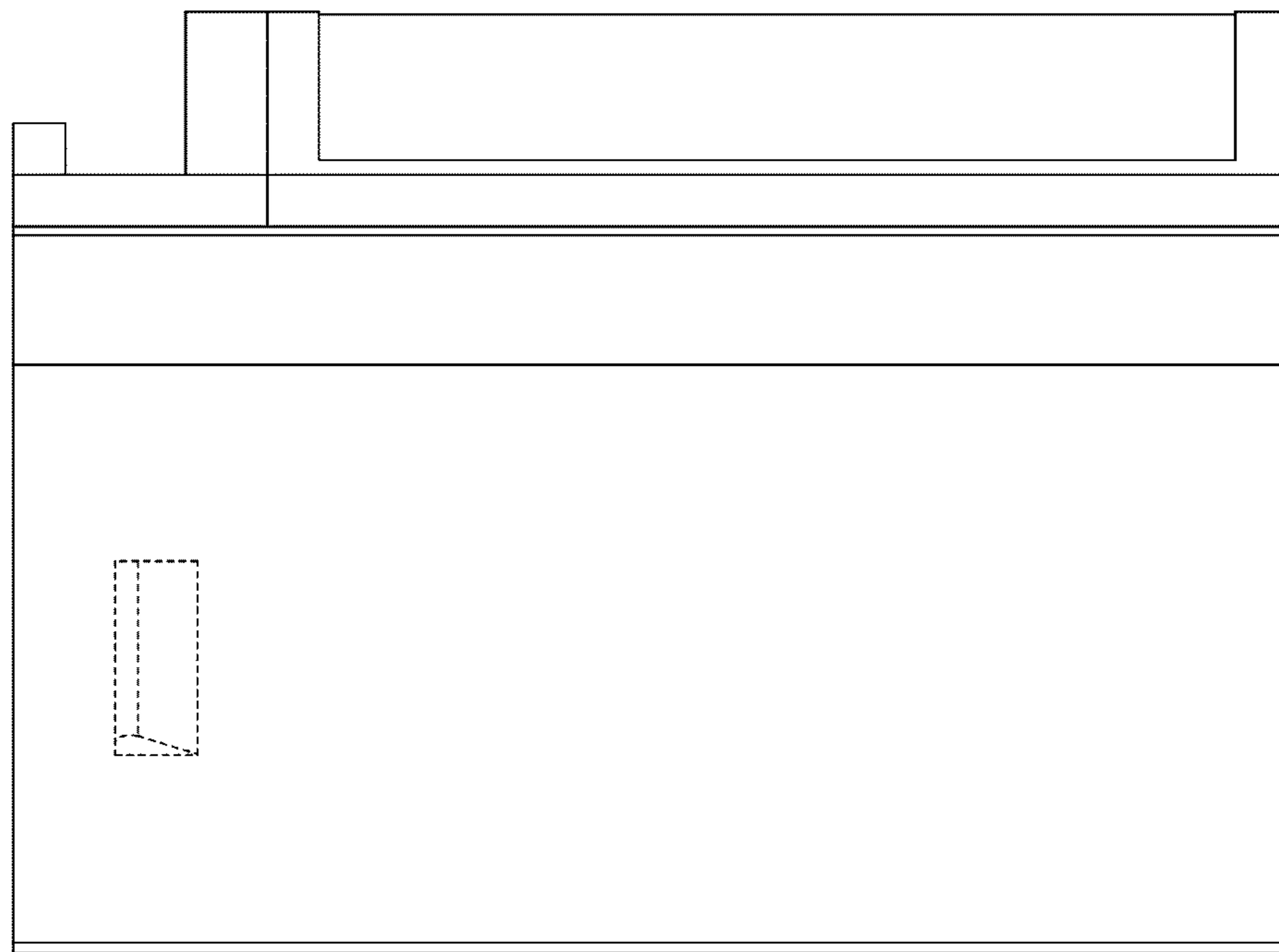


FIG.21

AMENDED

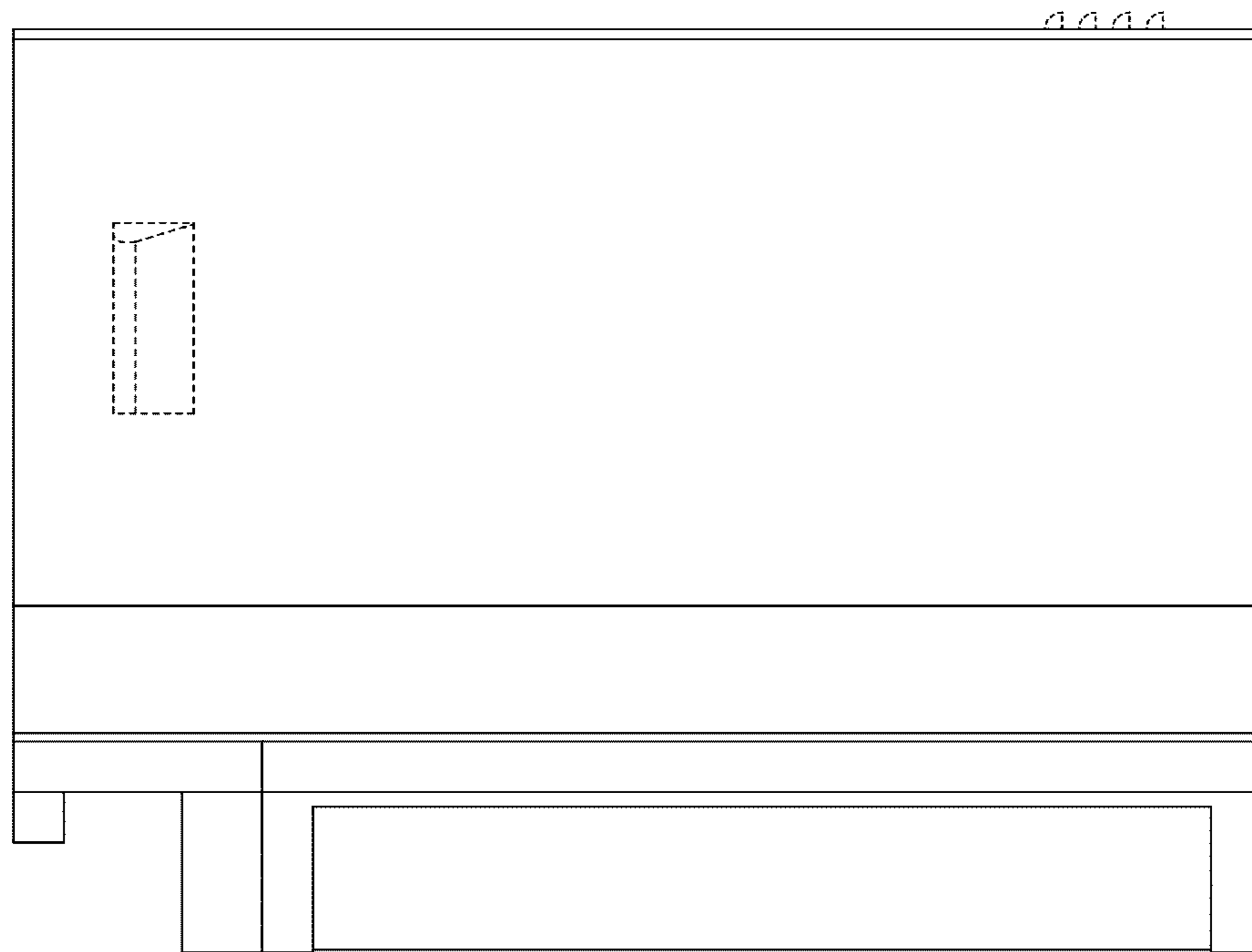


FIG.22

AMENDED

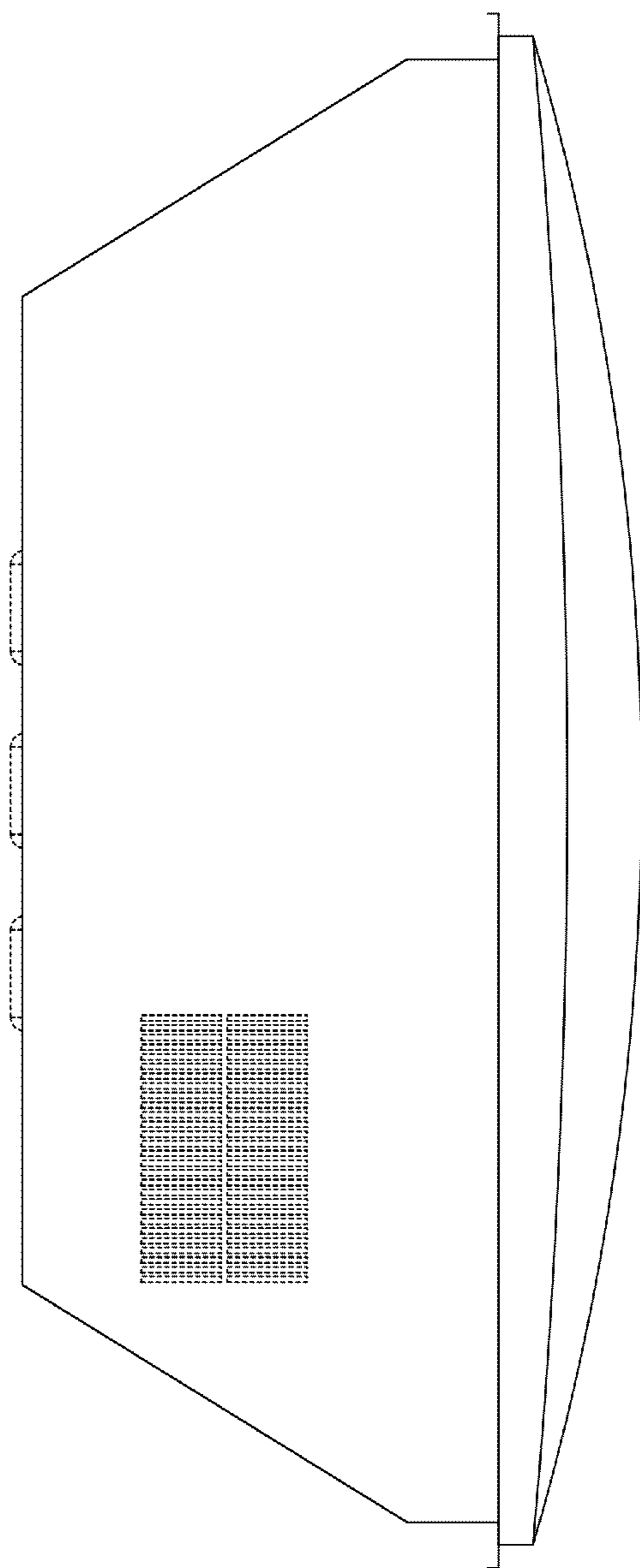


FIG.23

AMENDED

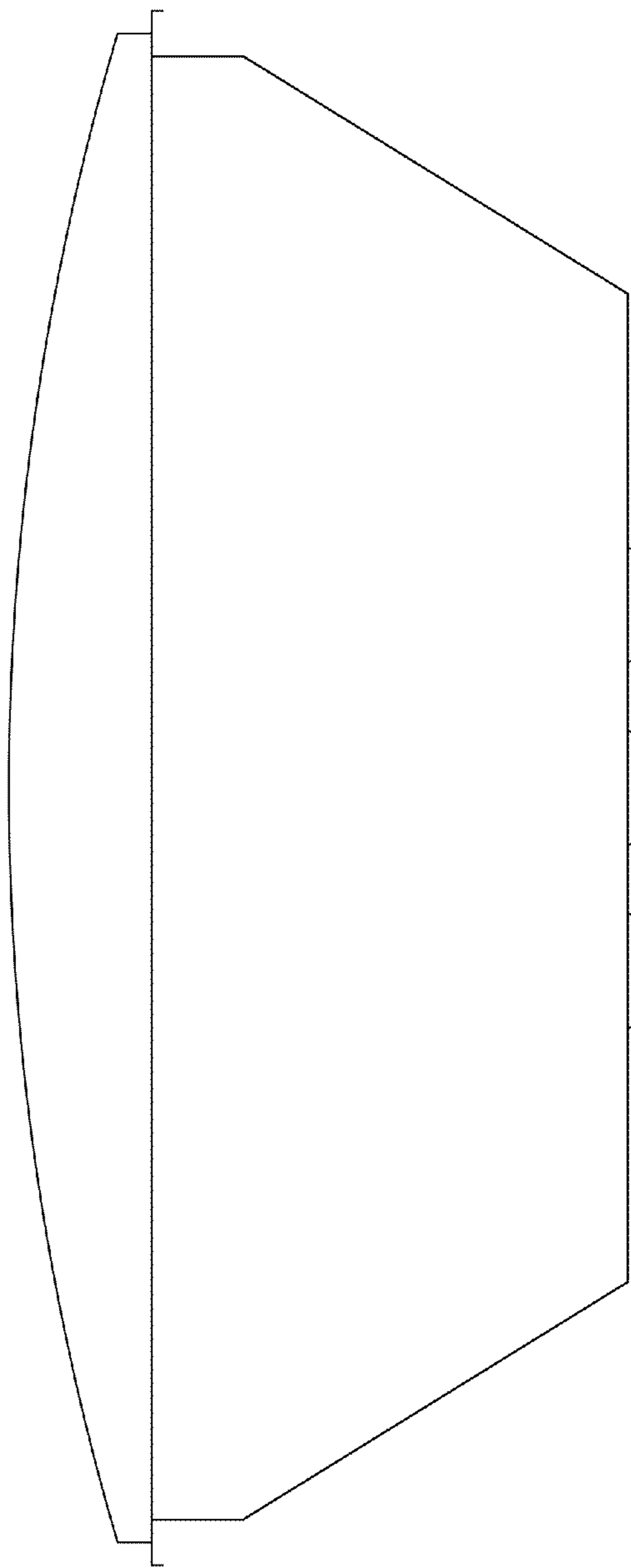


FIG.24

AMENDED

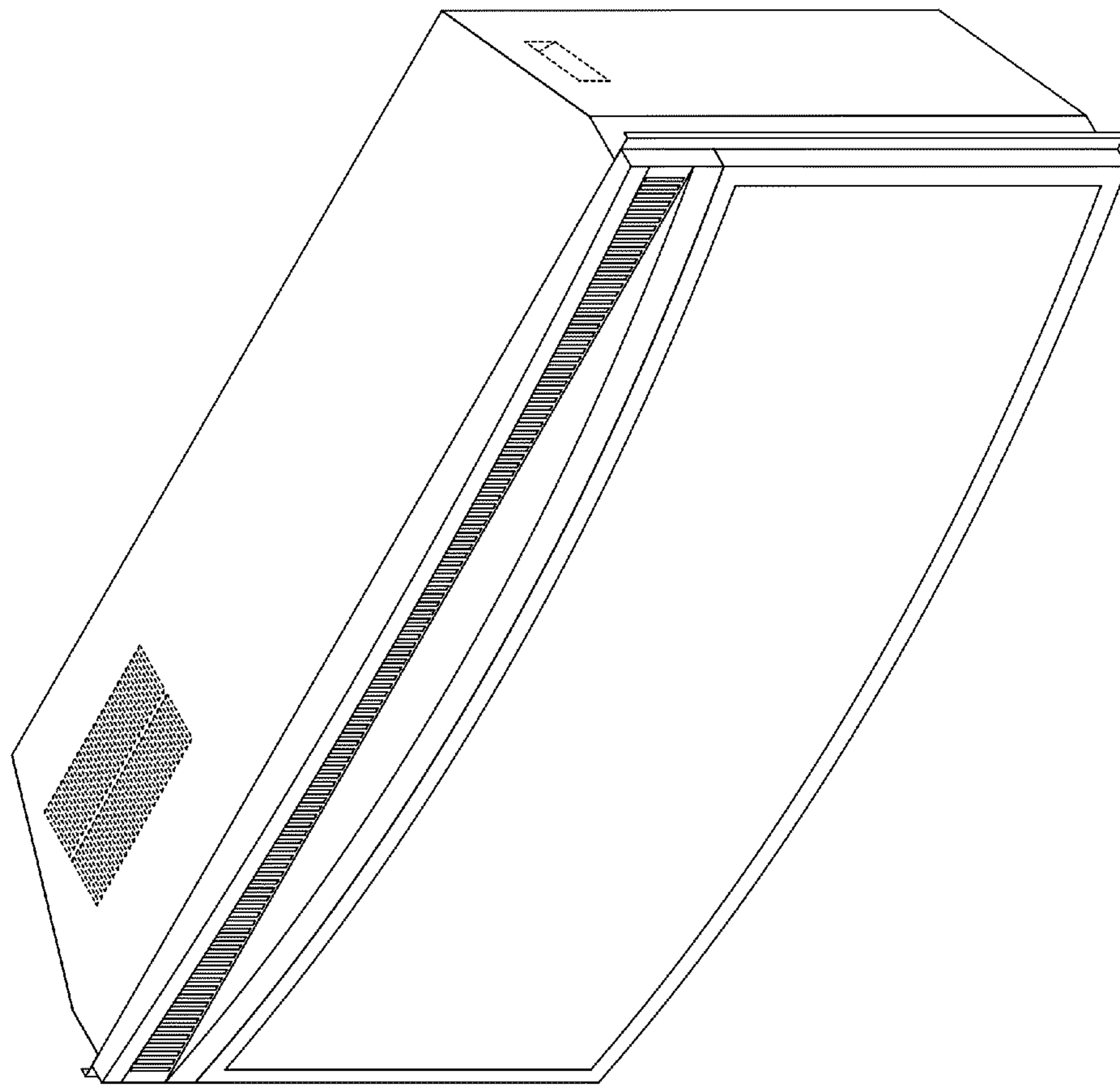


FIG.25

AMENDED

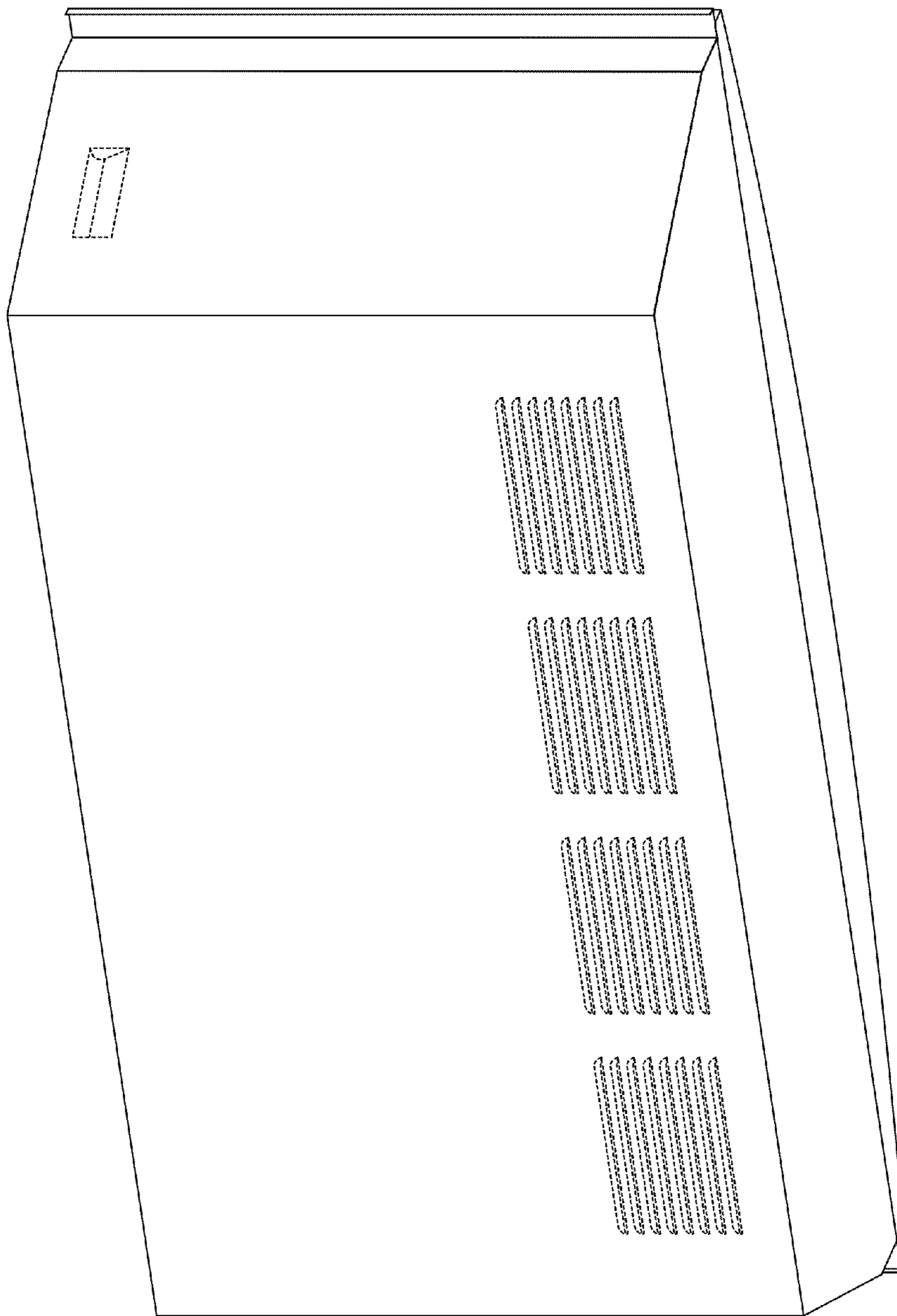


FIG.26

AMENDED

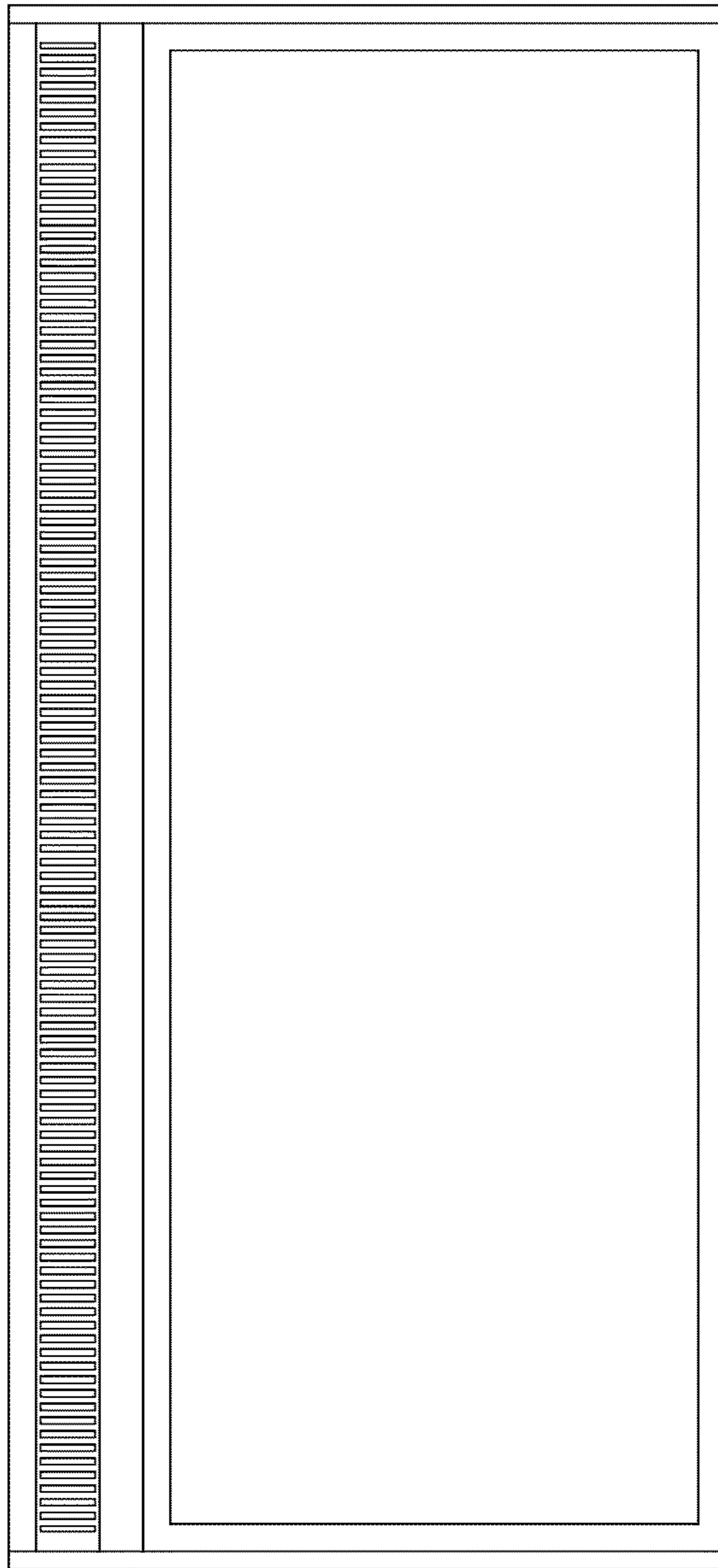


FIG.27

AMENDED

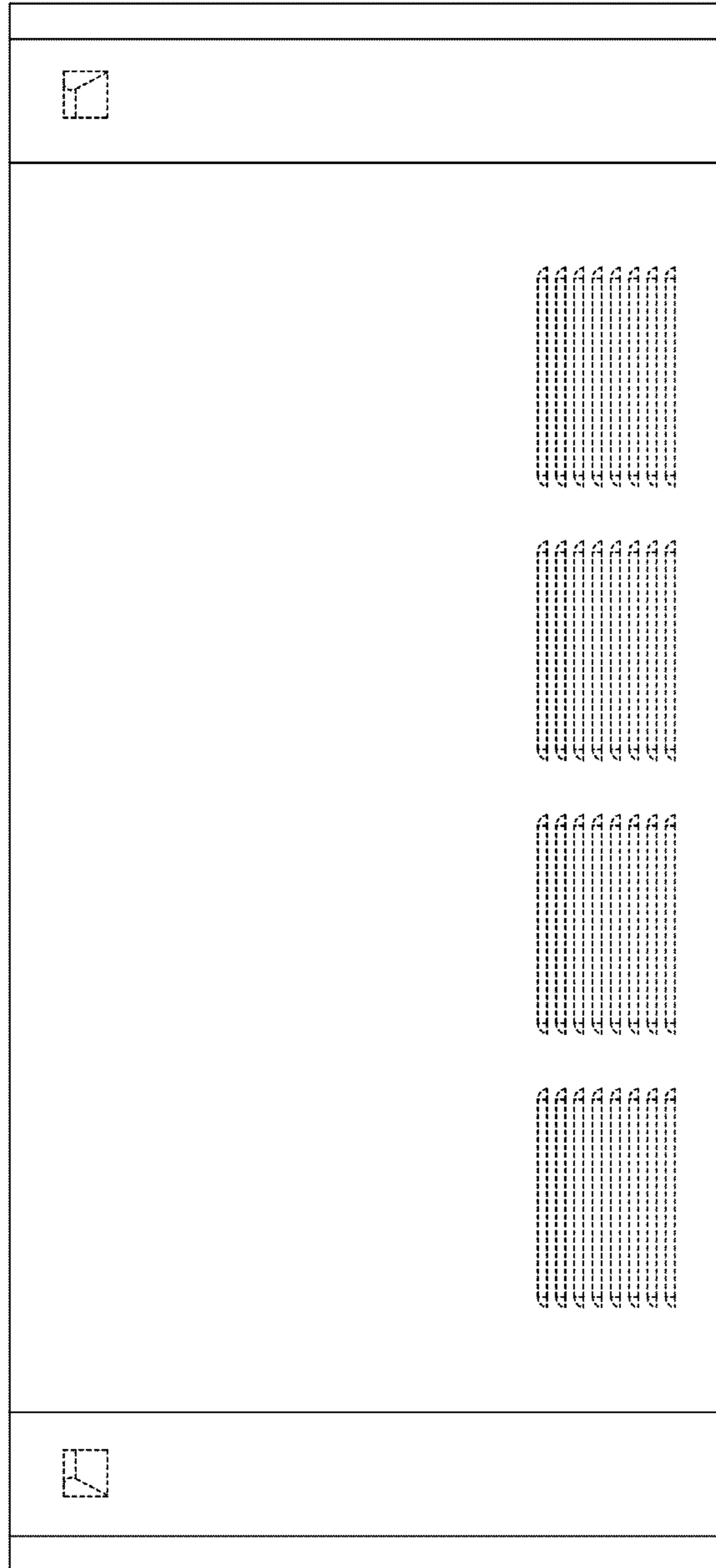


FIG.28

AMENDED



FIG.29

AMENDED

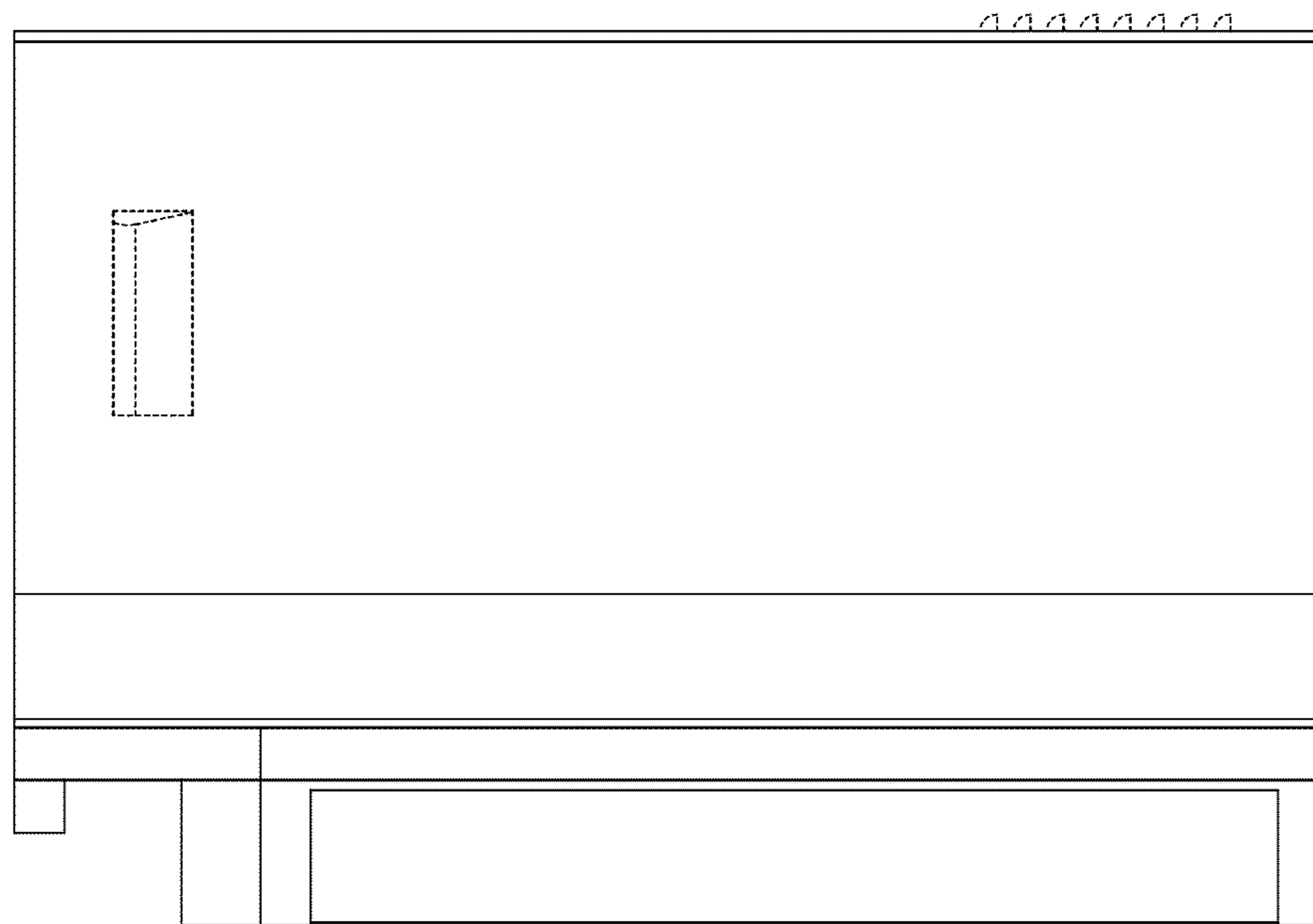


FIG.30

AMENDED

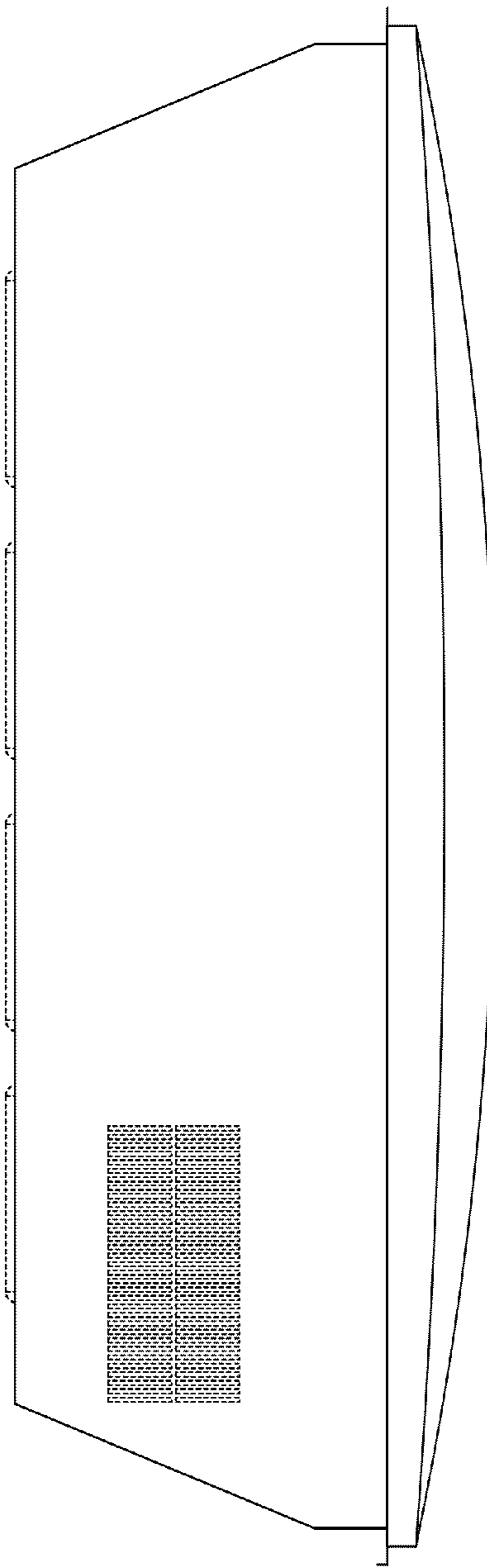


FIG.31

AMENDED

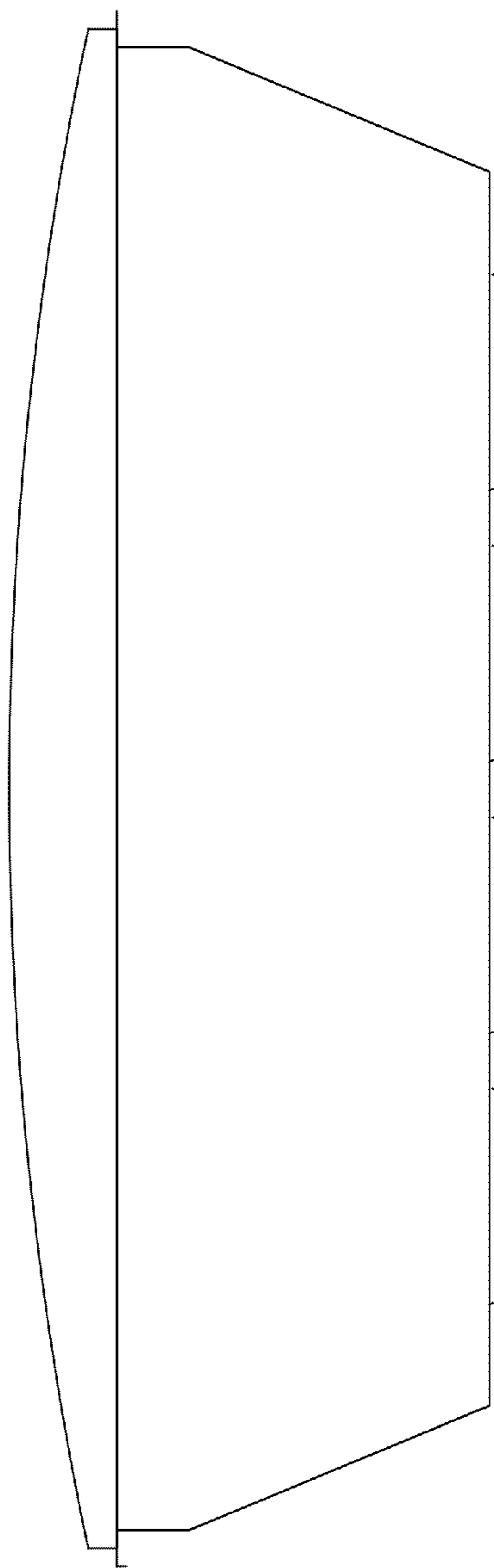


FIG.32

AMENDED

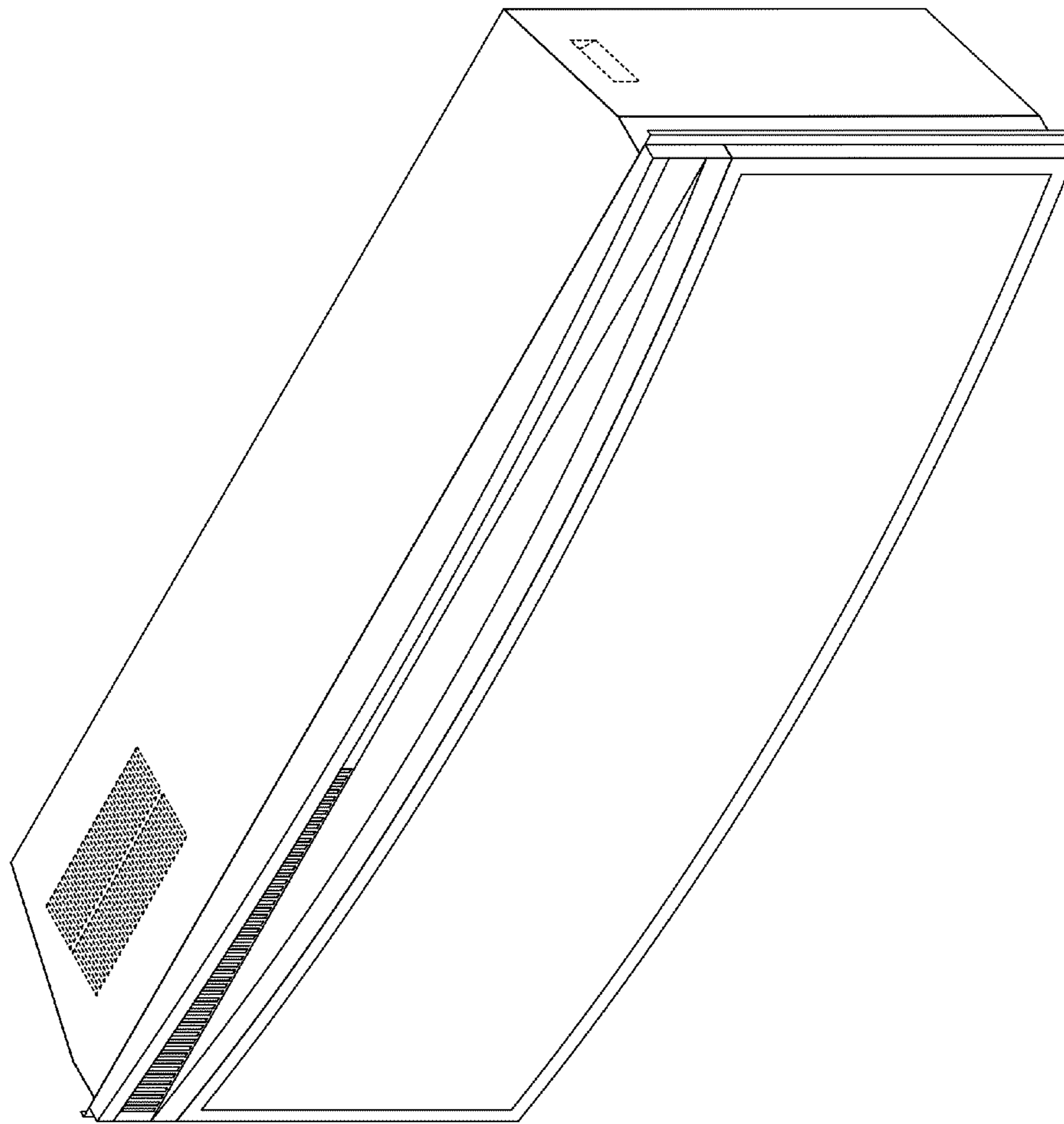


FIG.33

AMENDED

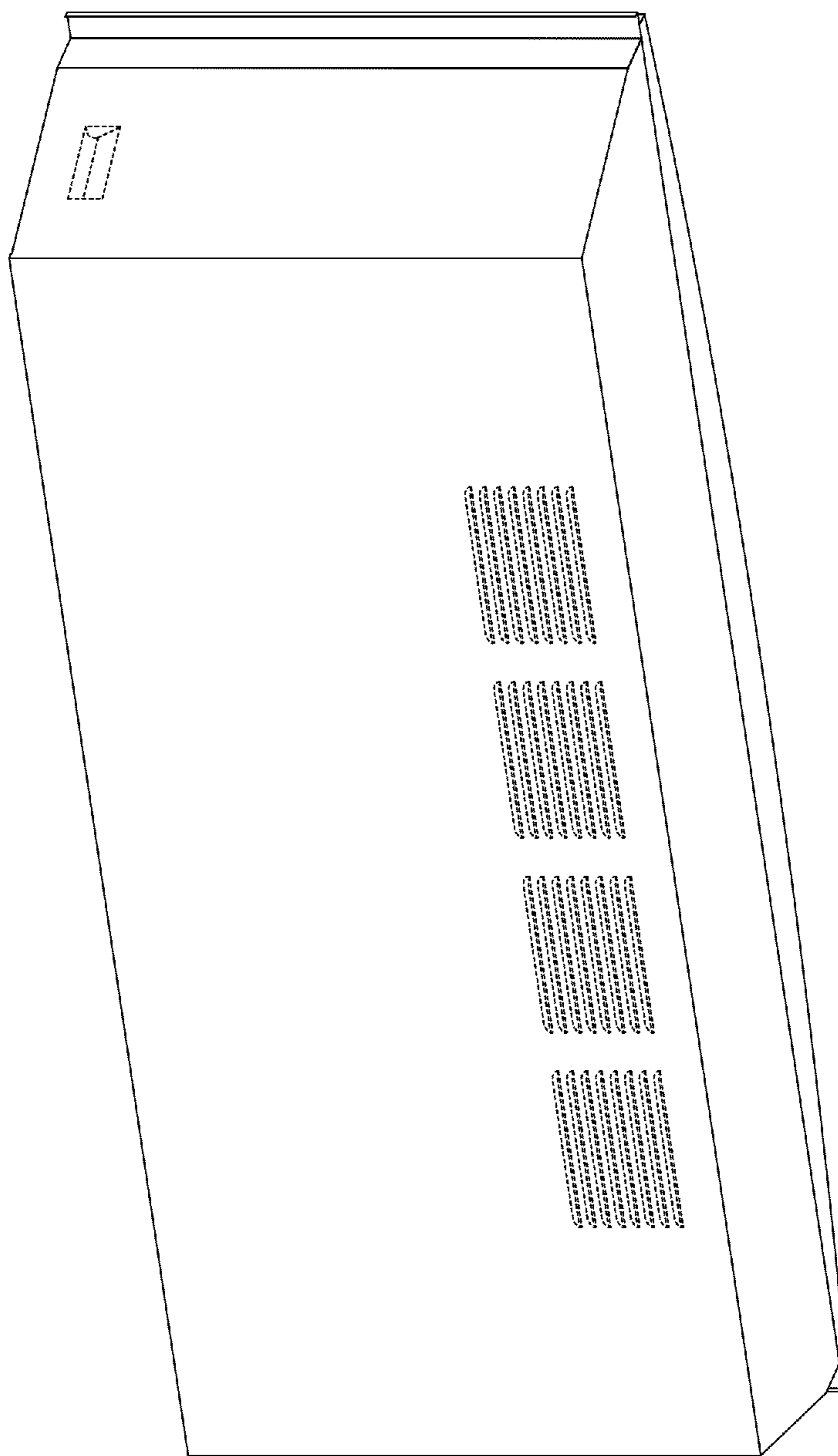


FIG.34

AMENDED

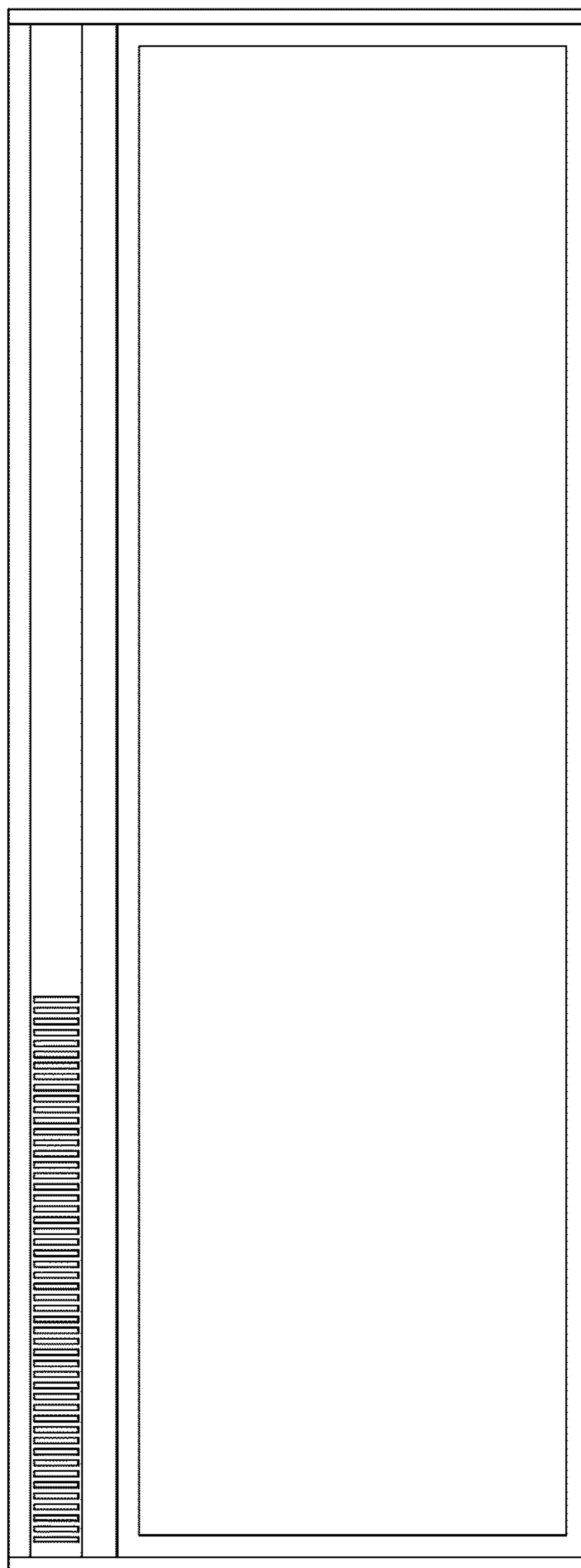


FIG.35

AMENDED

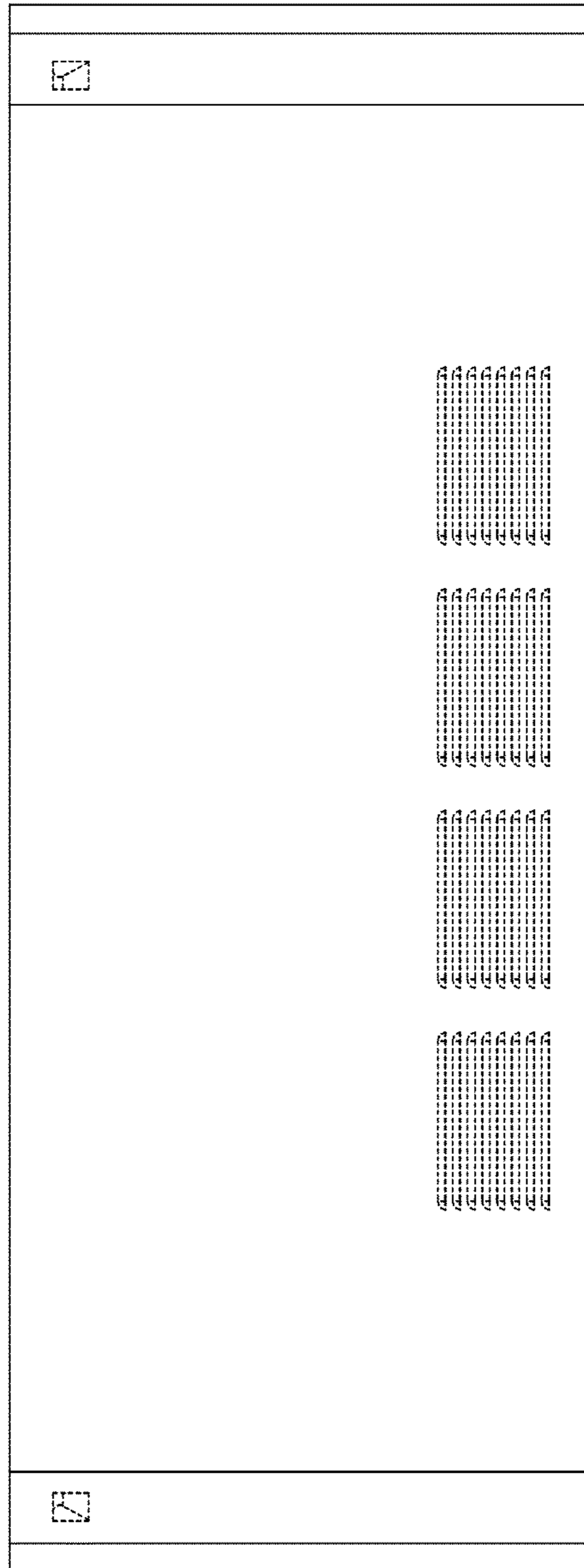


FIG.36

AMENDED

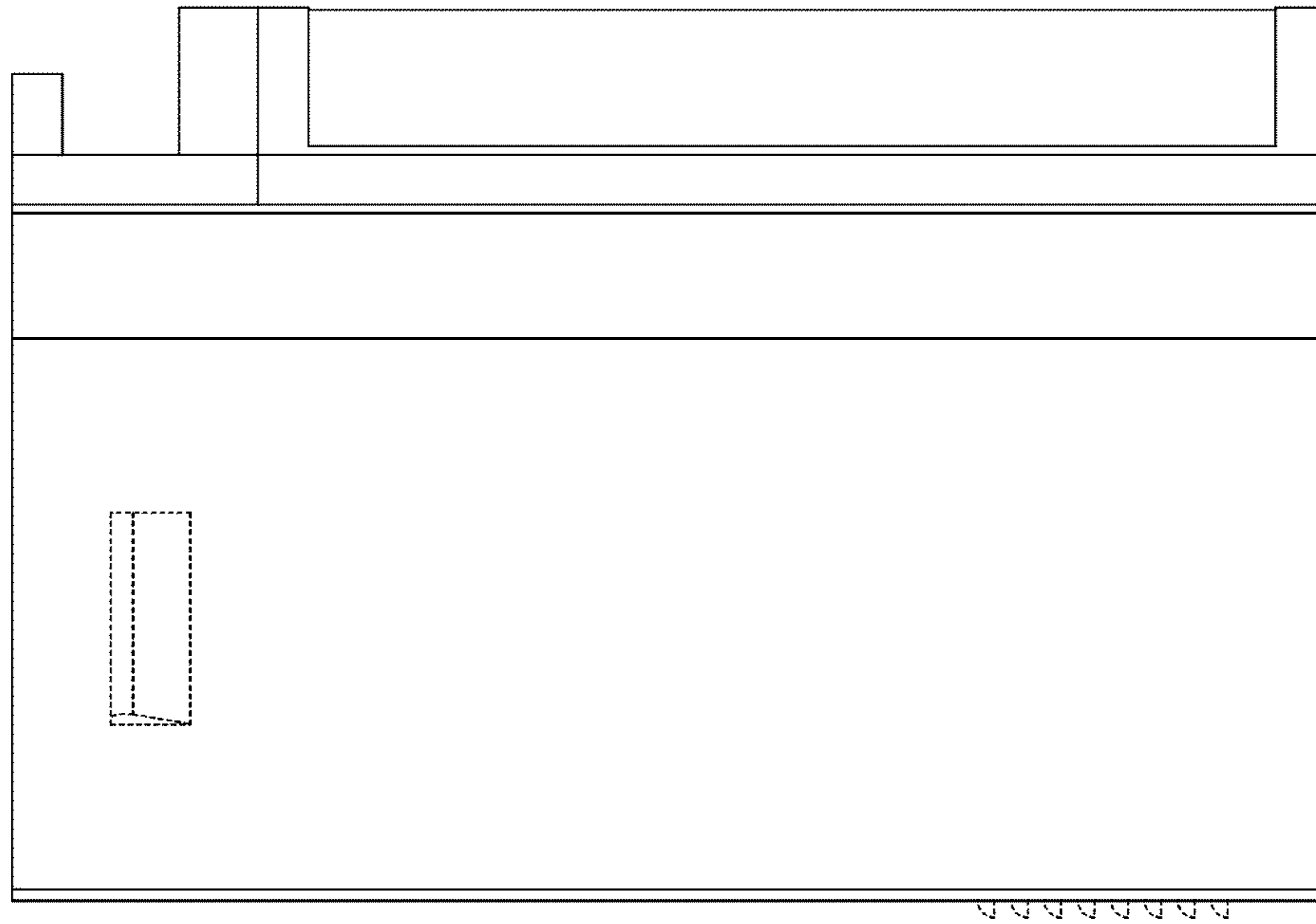


FIG.37

AMENDED



FIG. 38

AMENDED

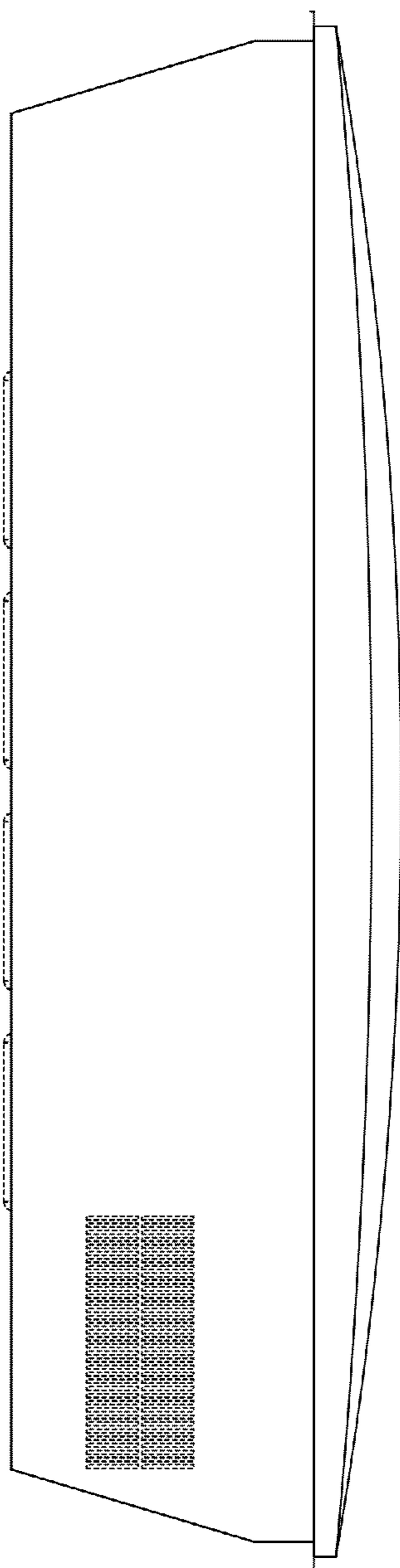


FIG.39

AMENDED

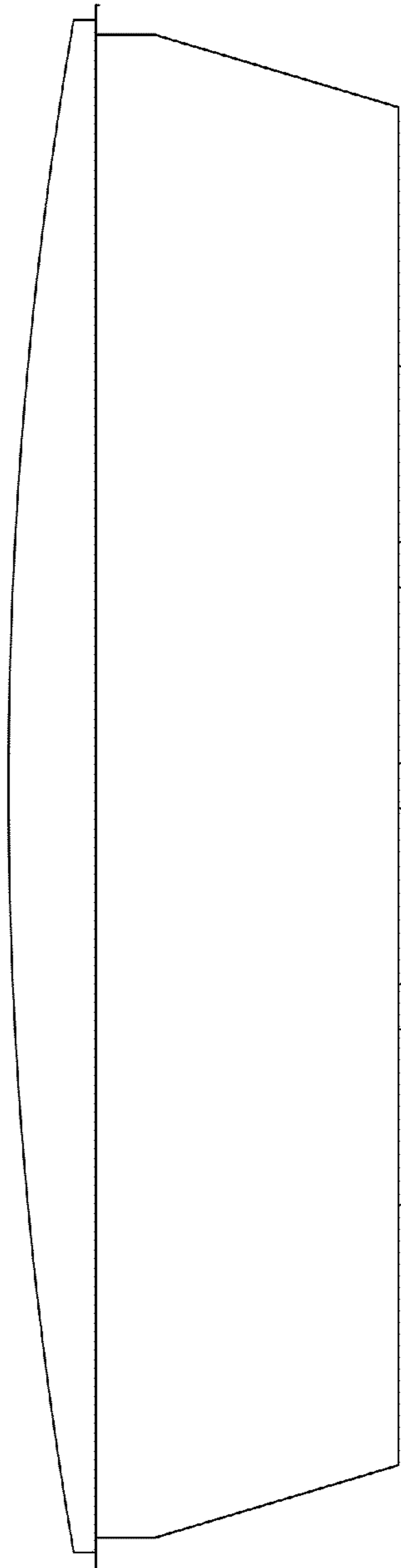


FIG.40

AMENDED

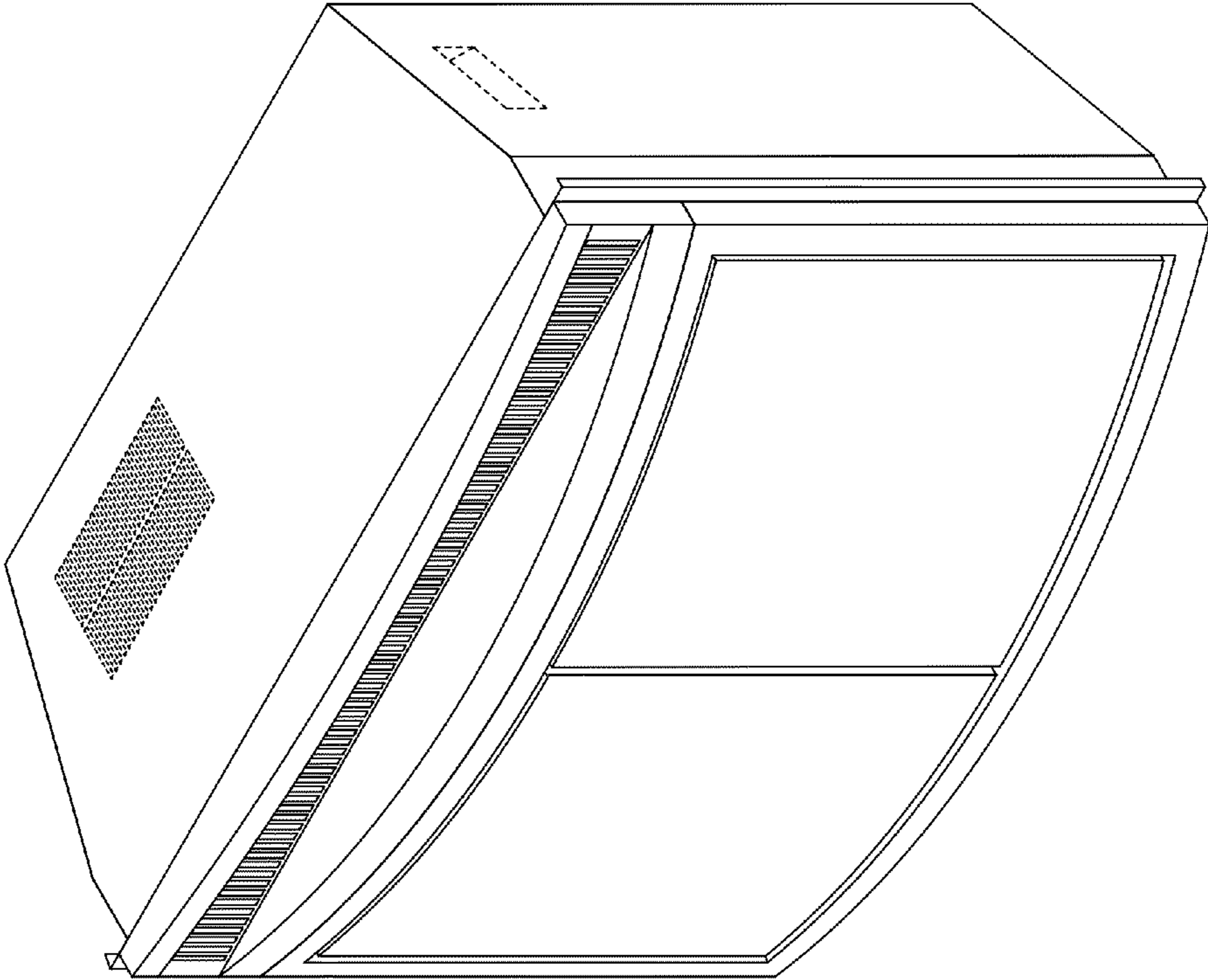


FIG.41

AMENDED

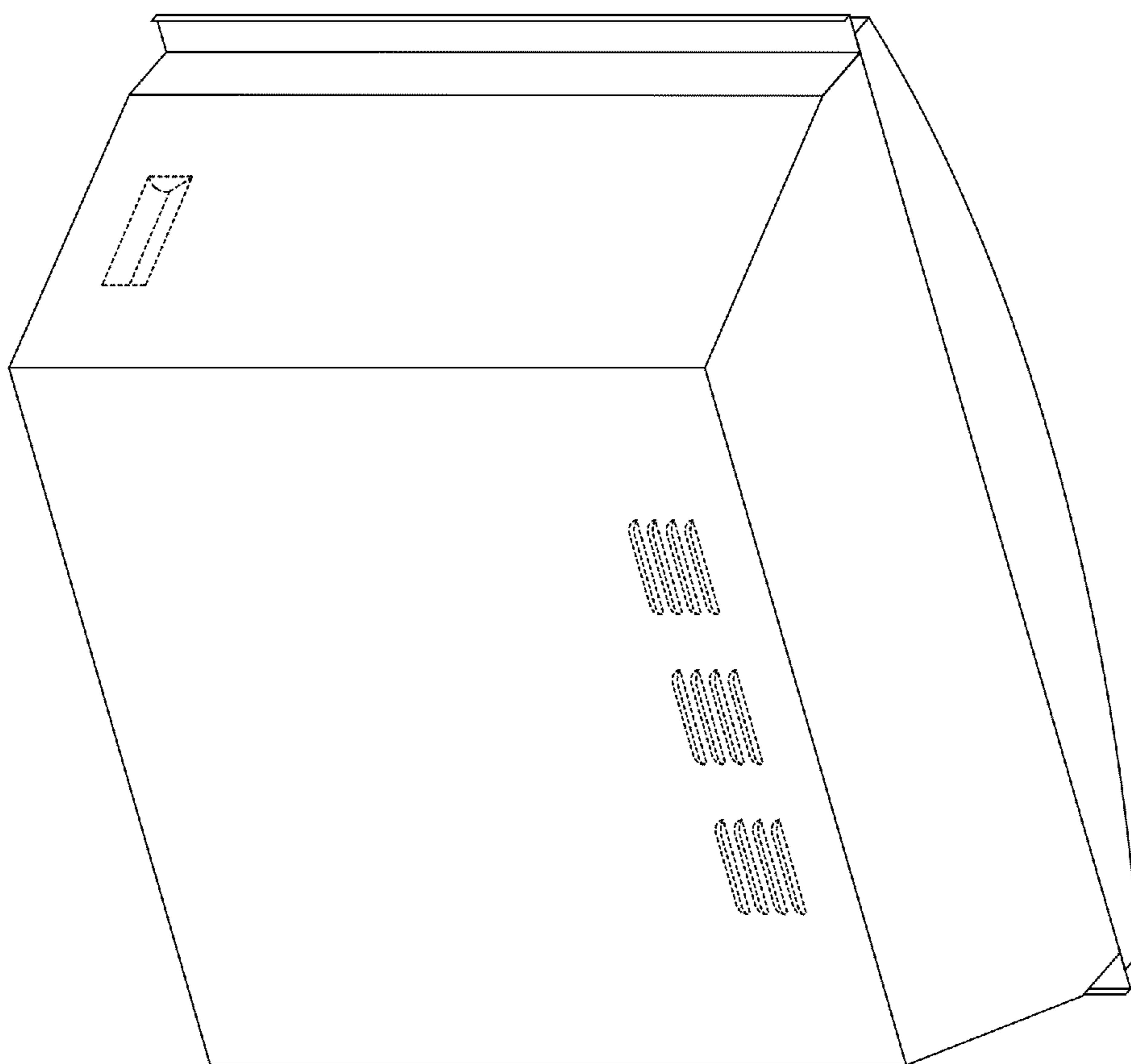


FIG.42

AMENDED

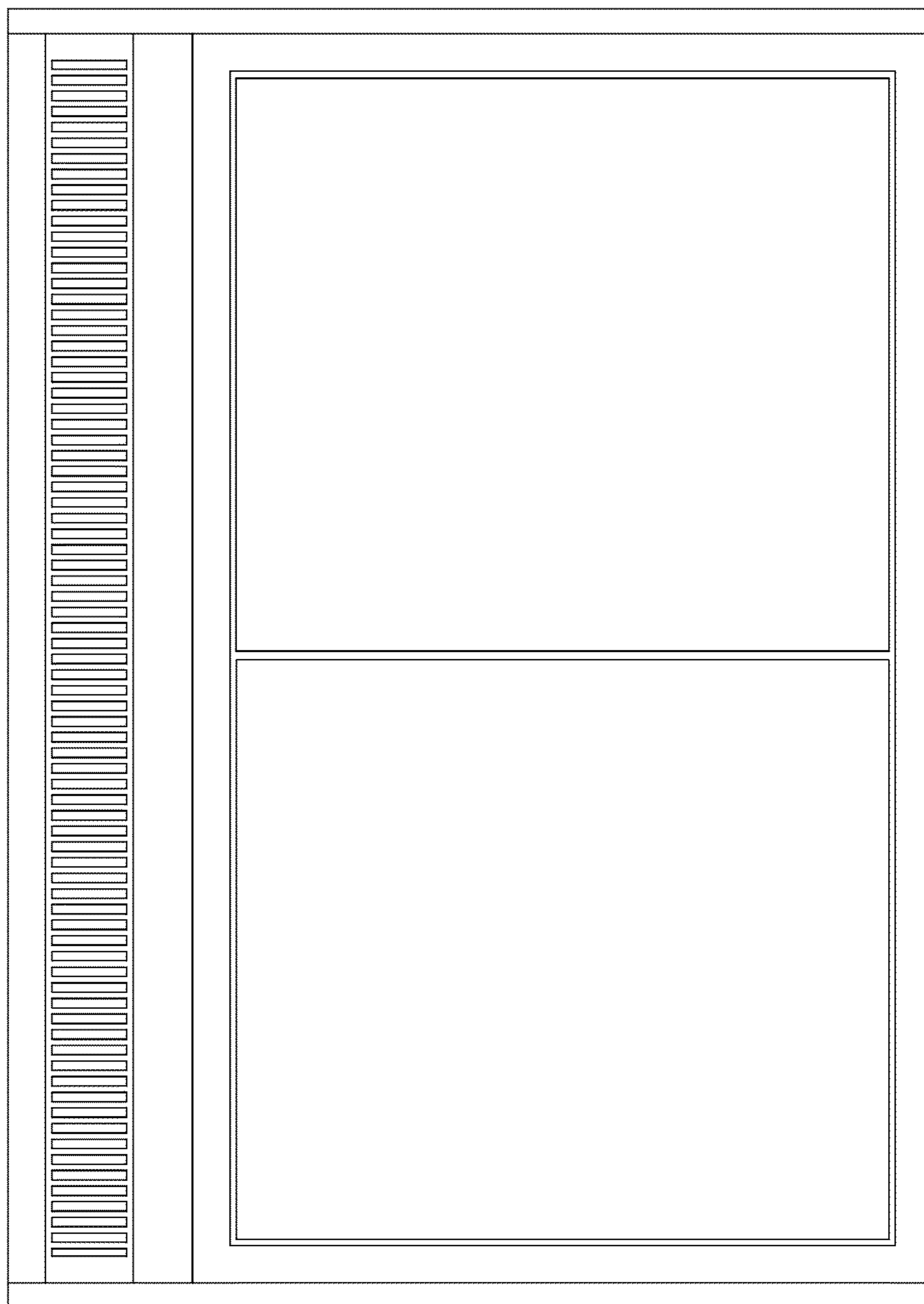


FIG. 43

AMENDED

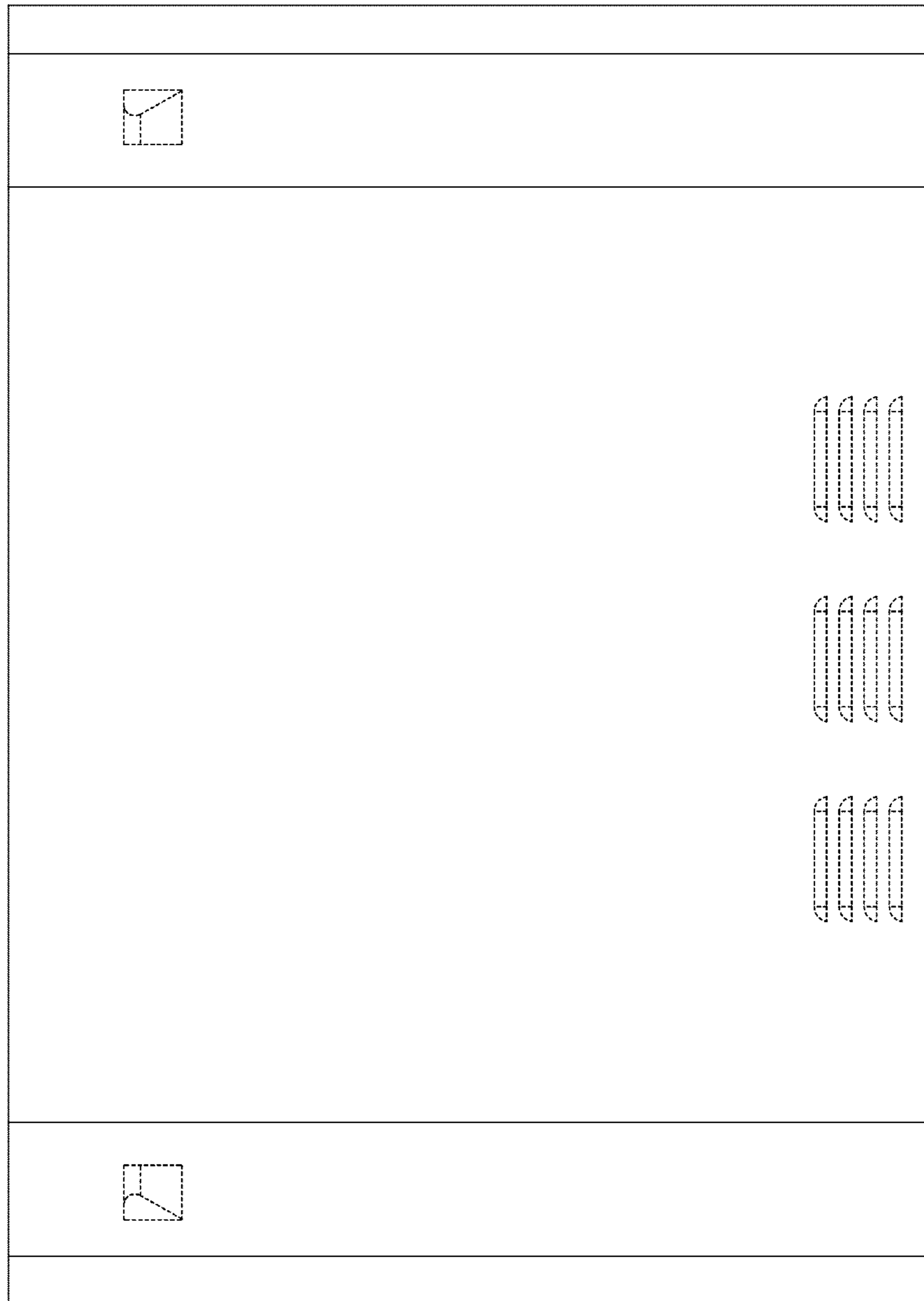


FIG.44

AMENDED



FIG.45

11111

AMENDED



FIG. 46

AMENDED

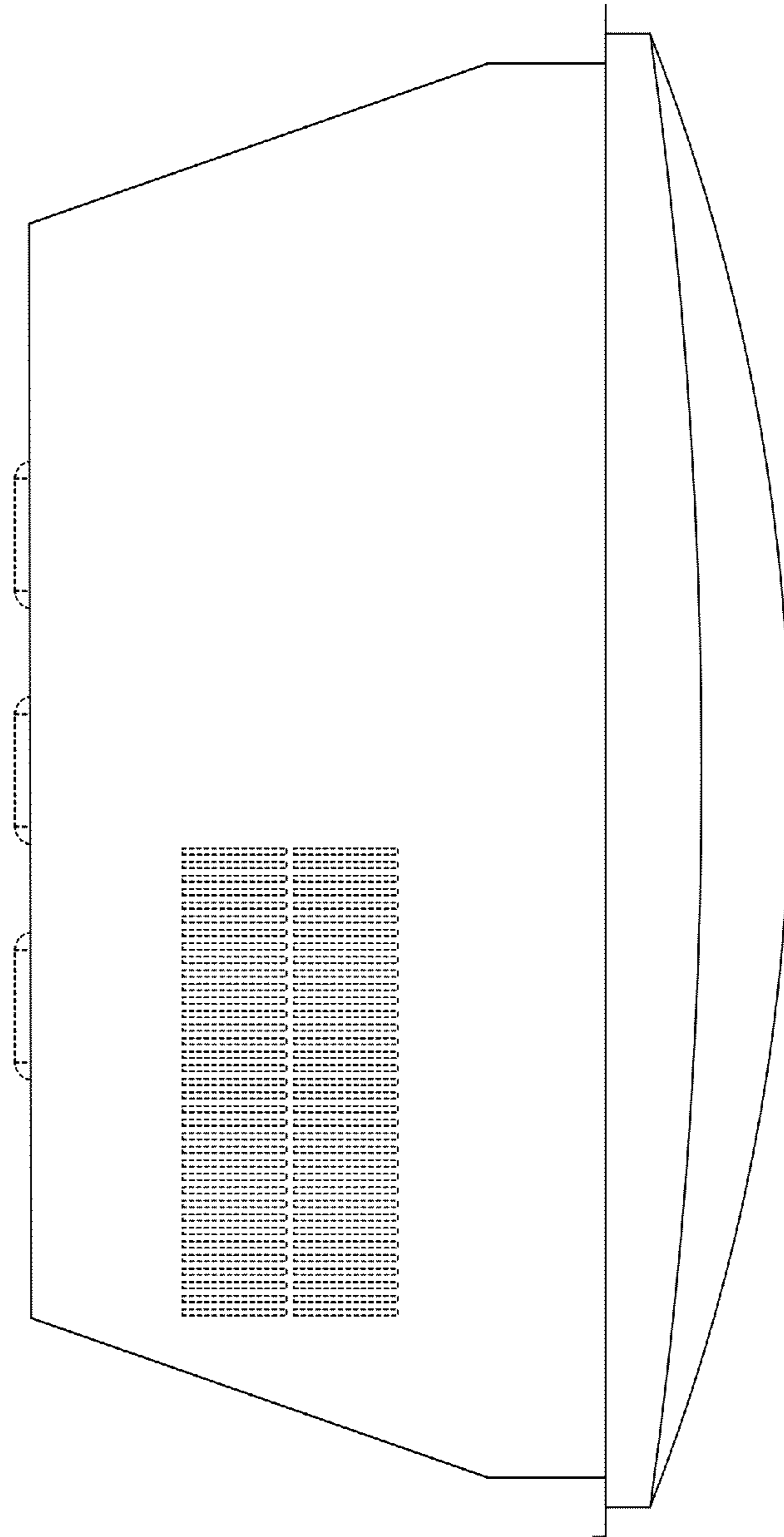


FIG.47

AMENDED

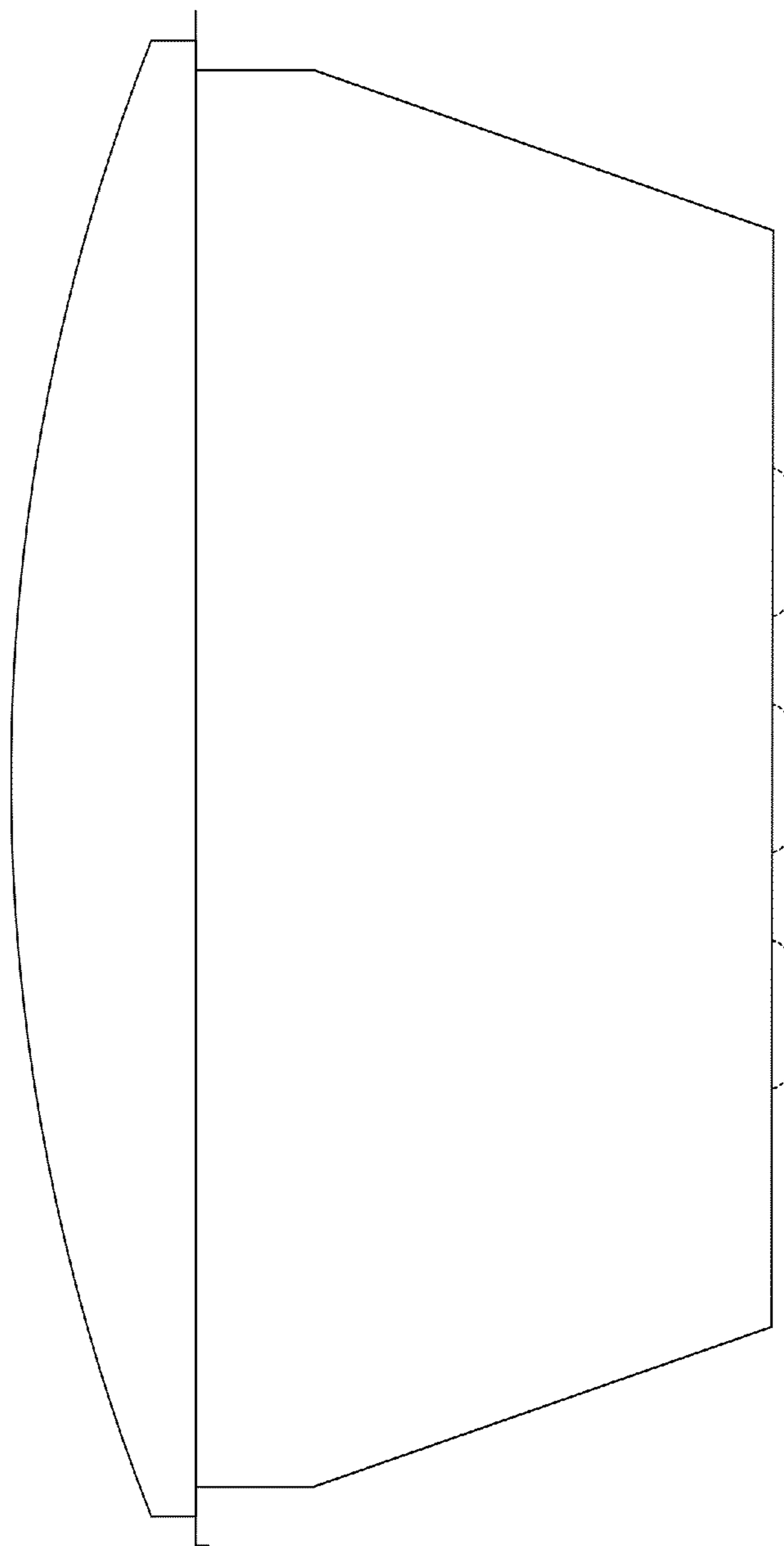


FIG.48

AMENDED

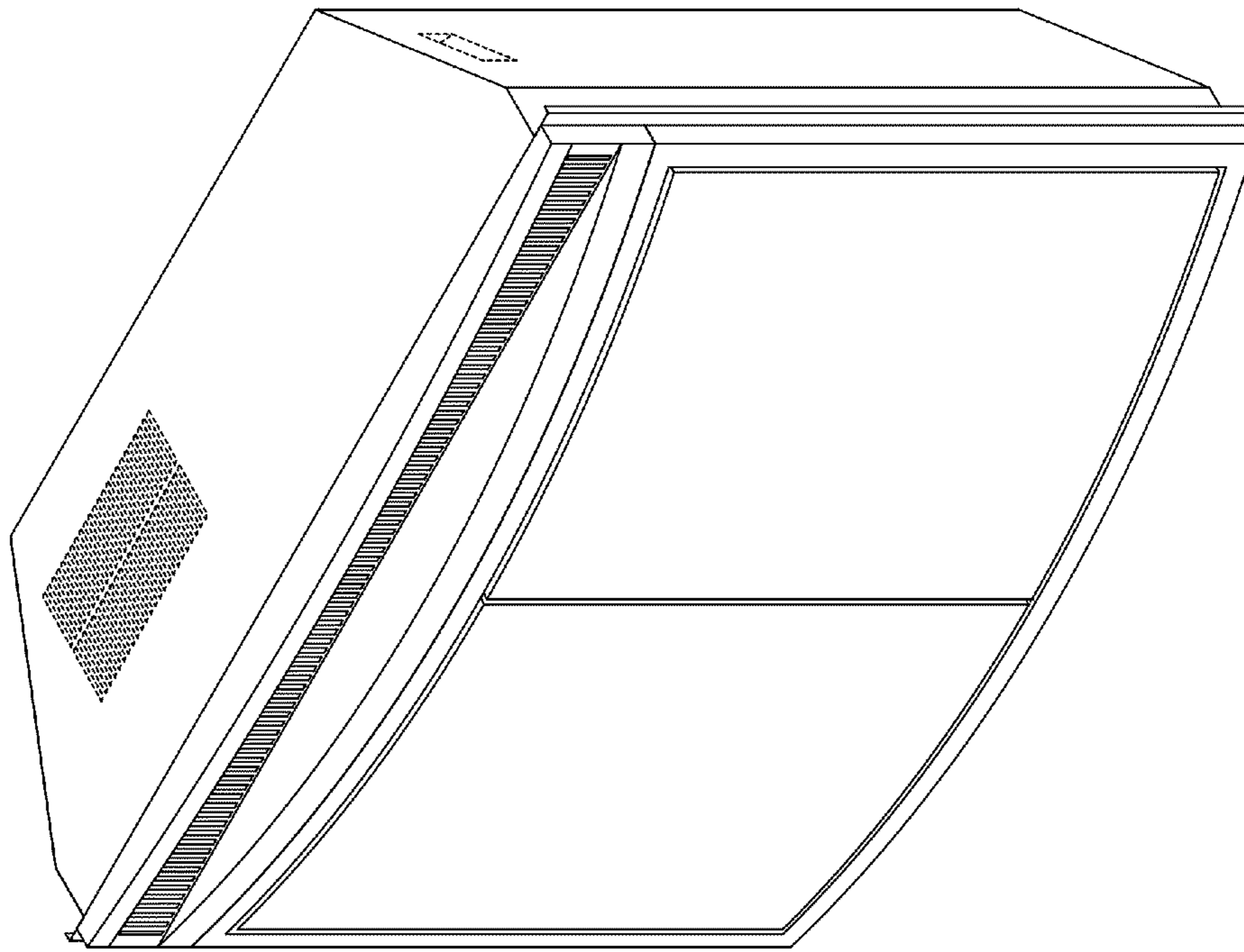


FIG.49

AMENDED

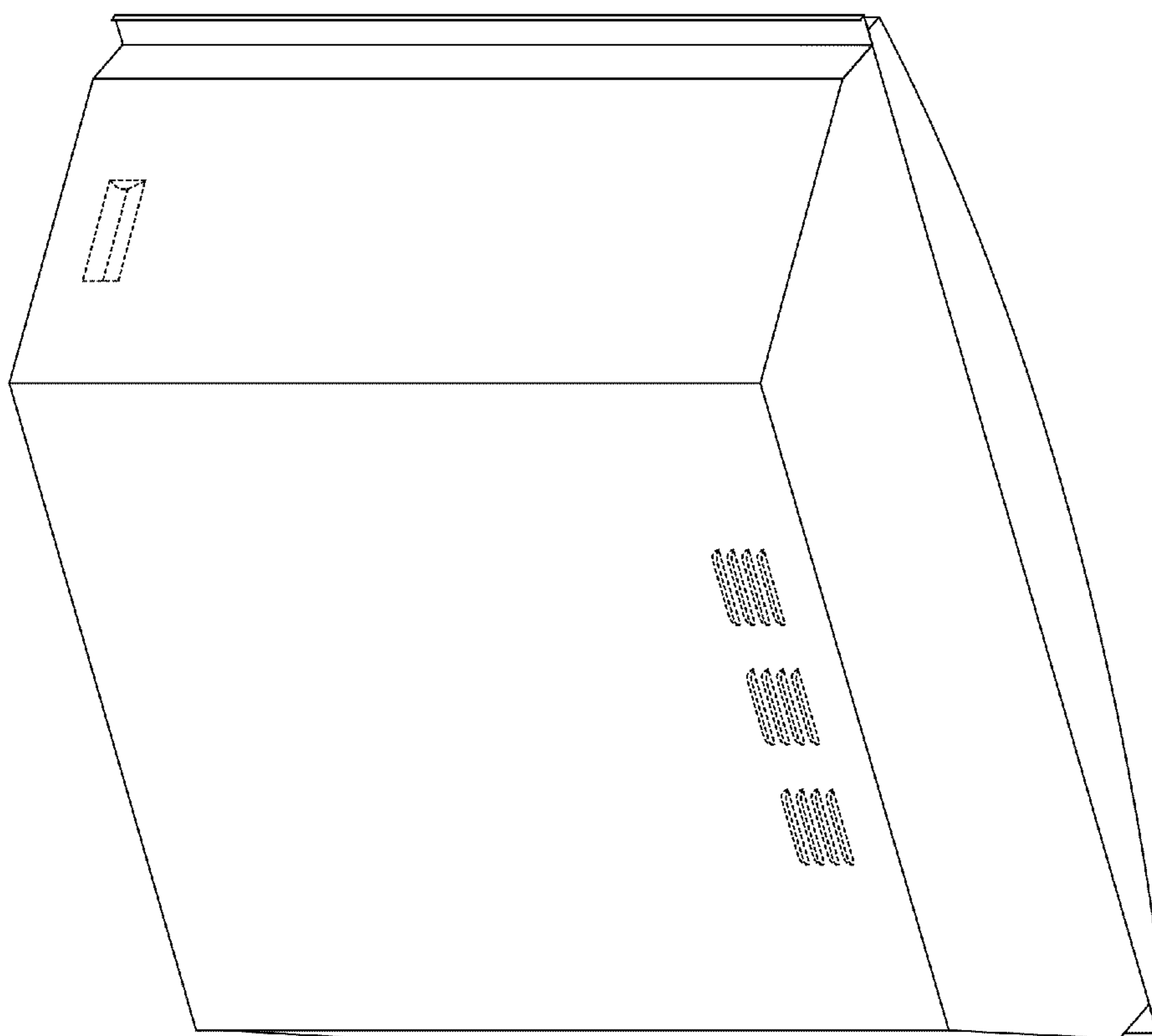


FIG. 50

AMENDED

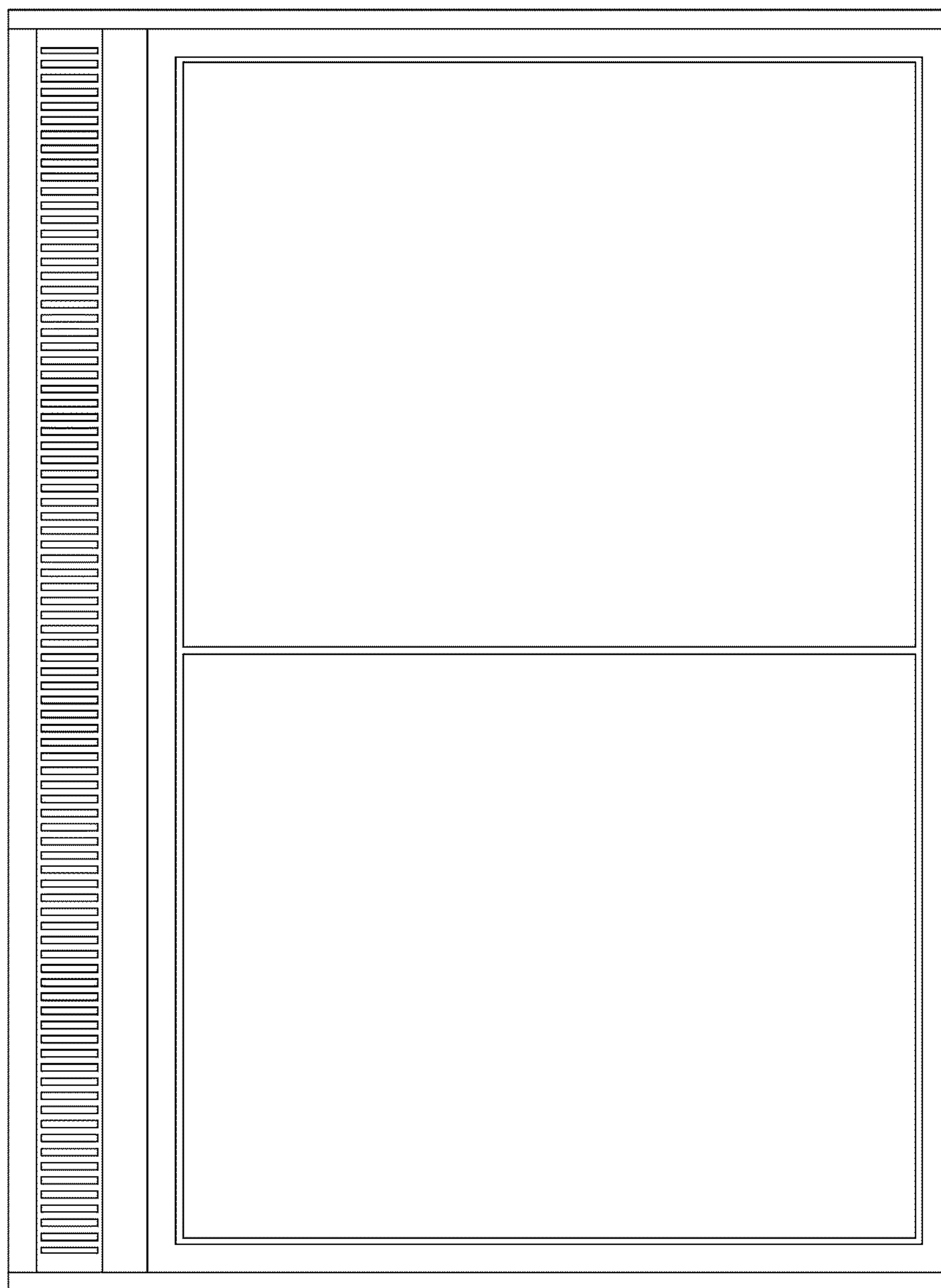


FIG.51

AMENDED

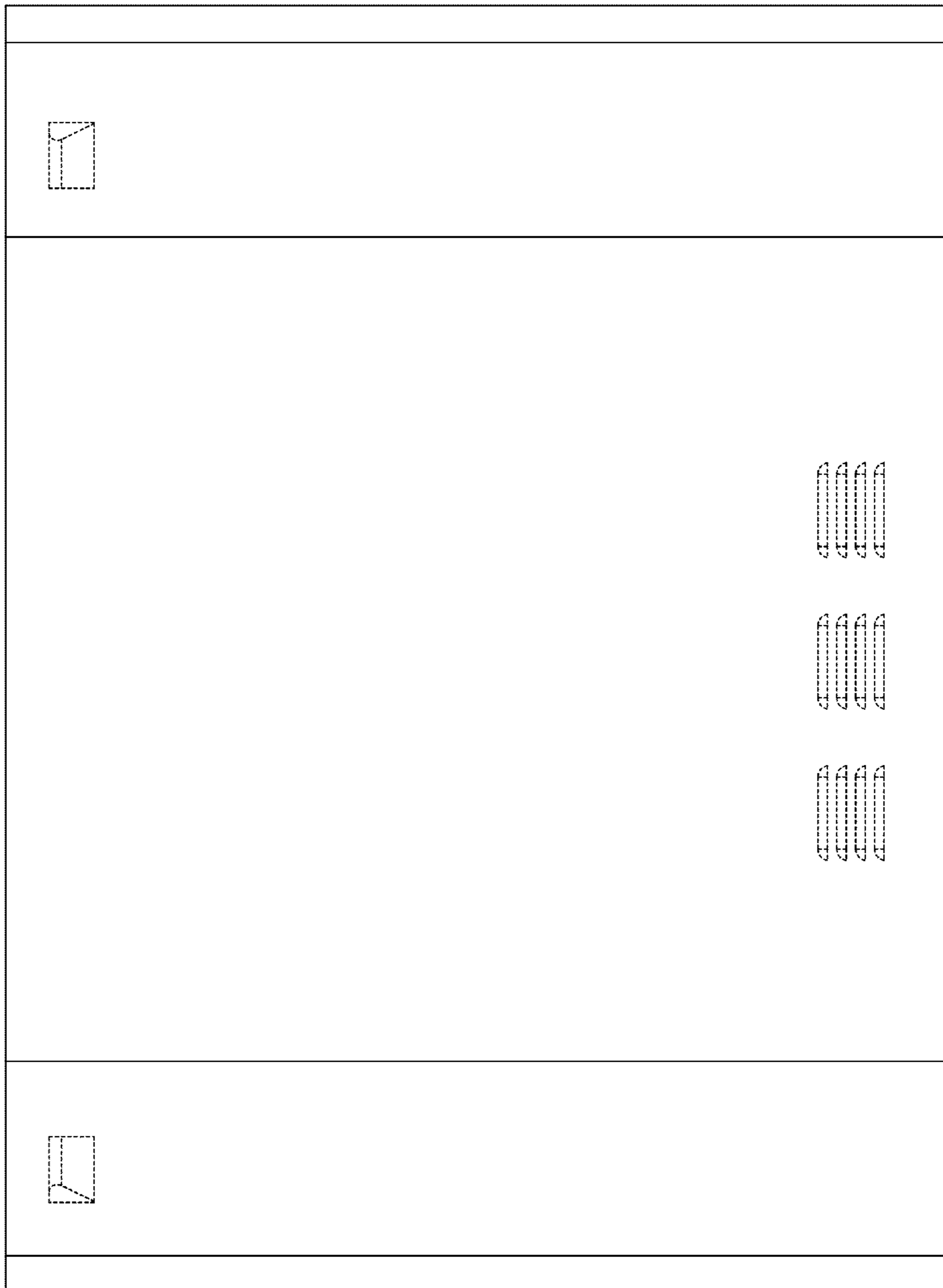


FIG. 52

AMENDED

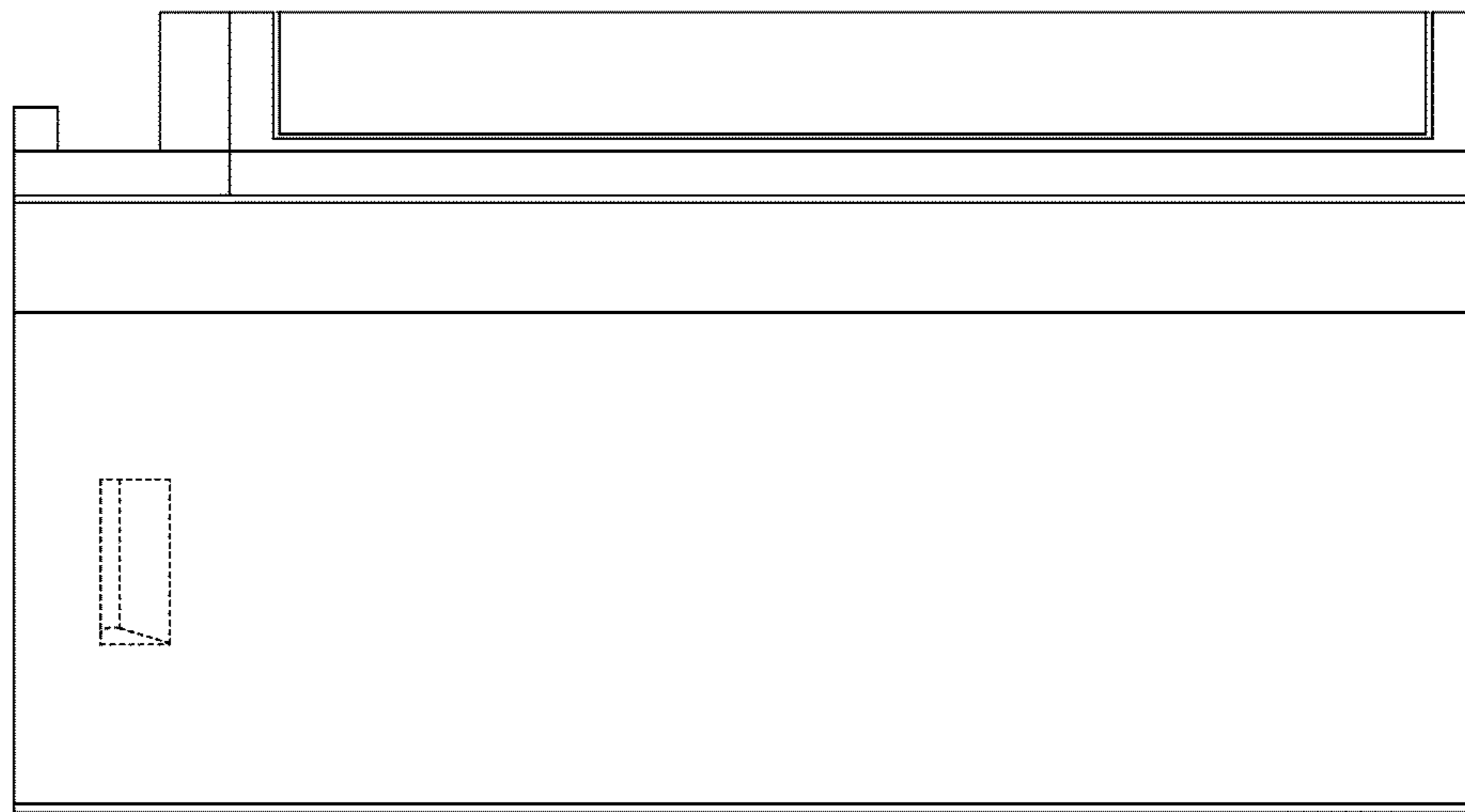


FIG. 53

AMENDED

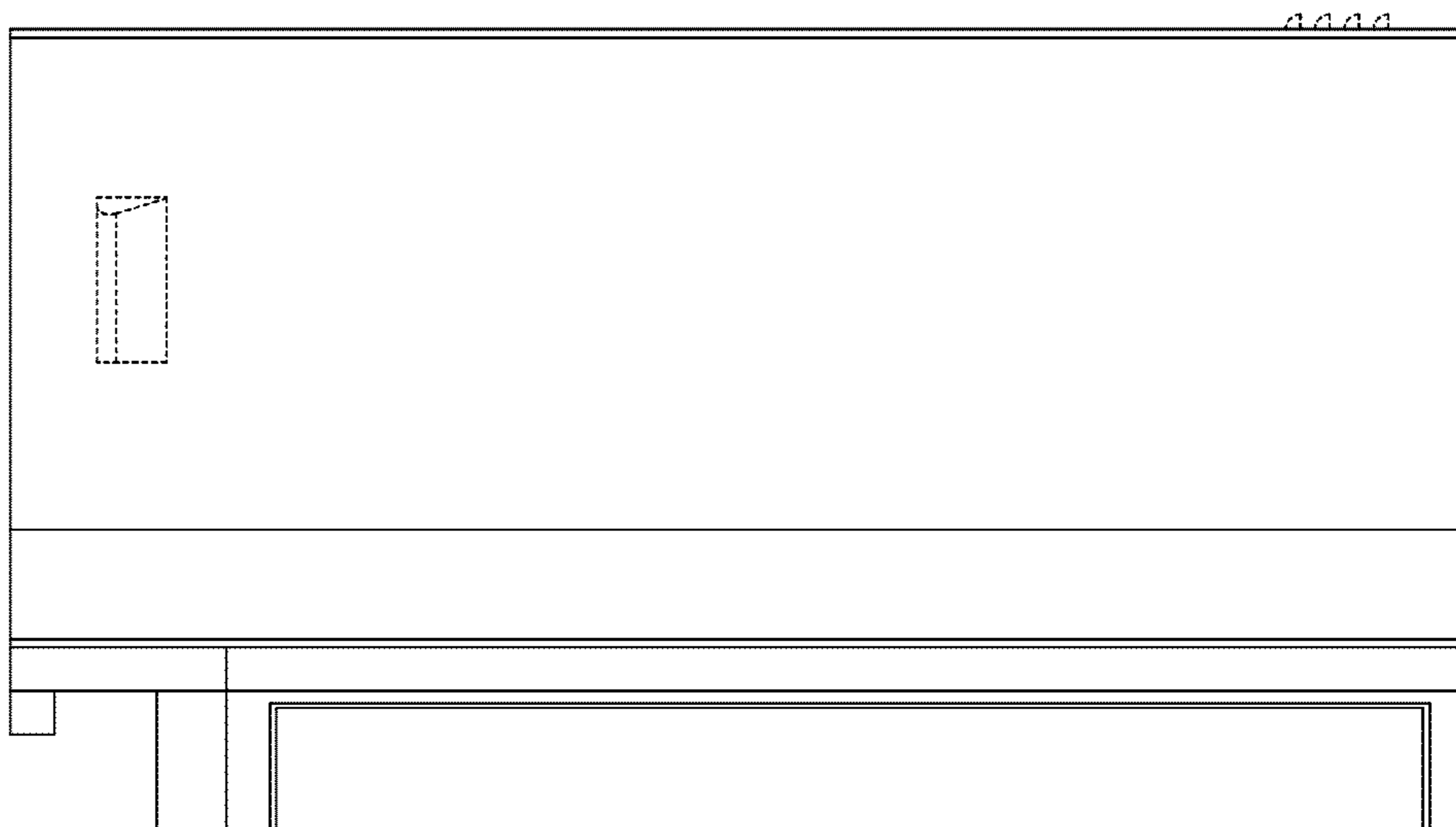


FIG.54

AMENDED

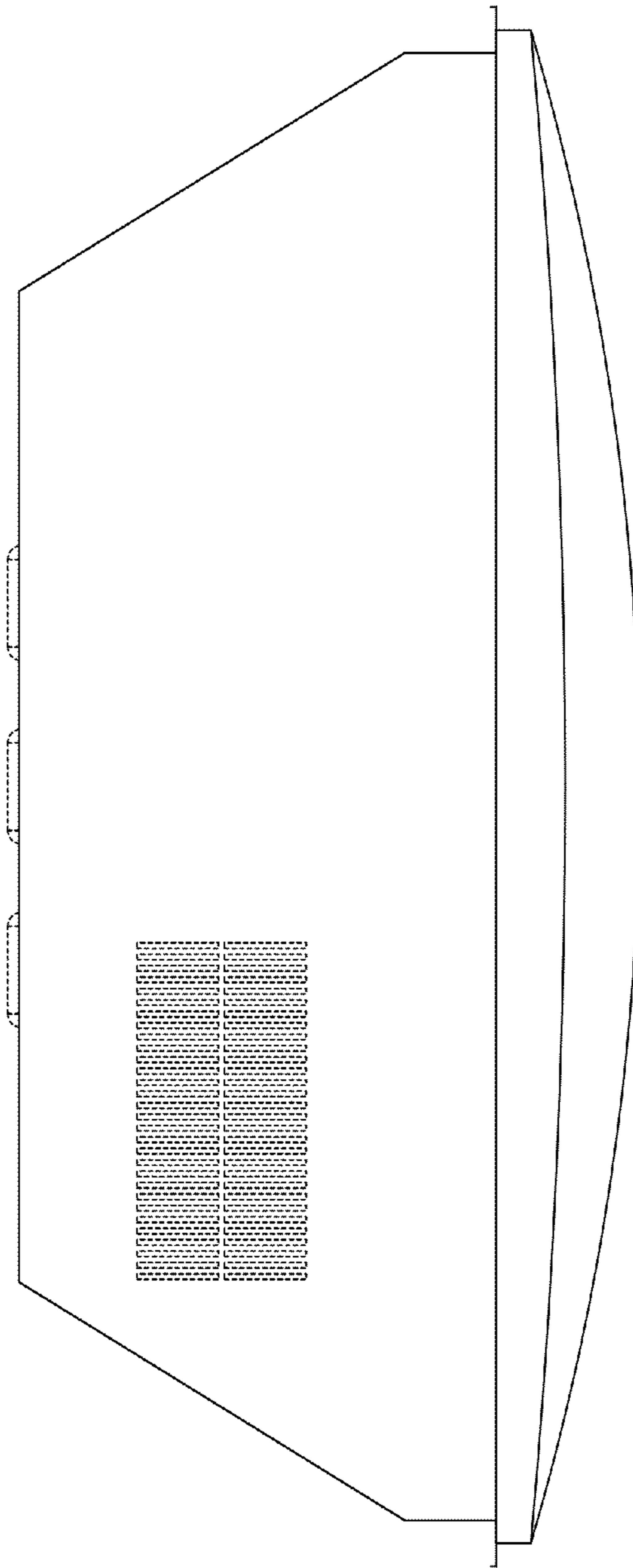


FIG. 55

AMENDED

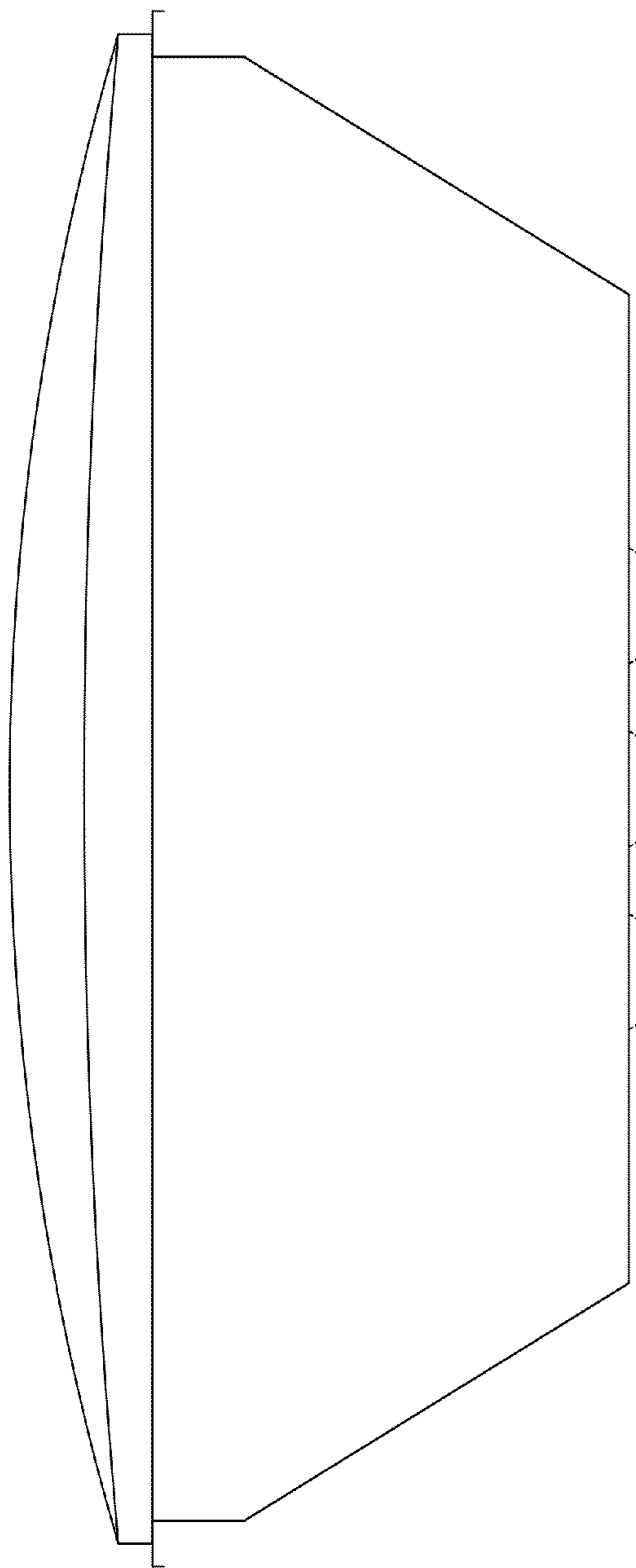


FIG.56

AMENDED

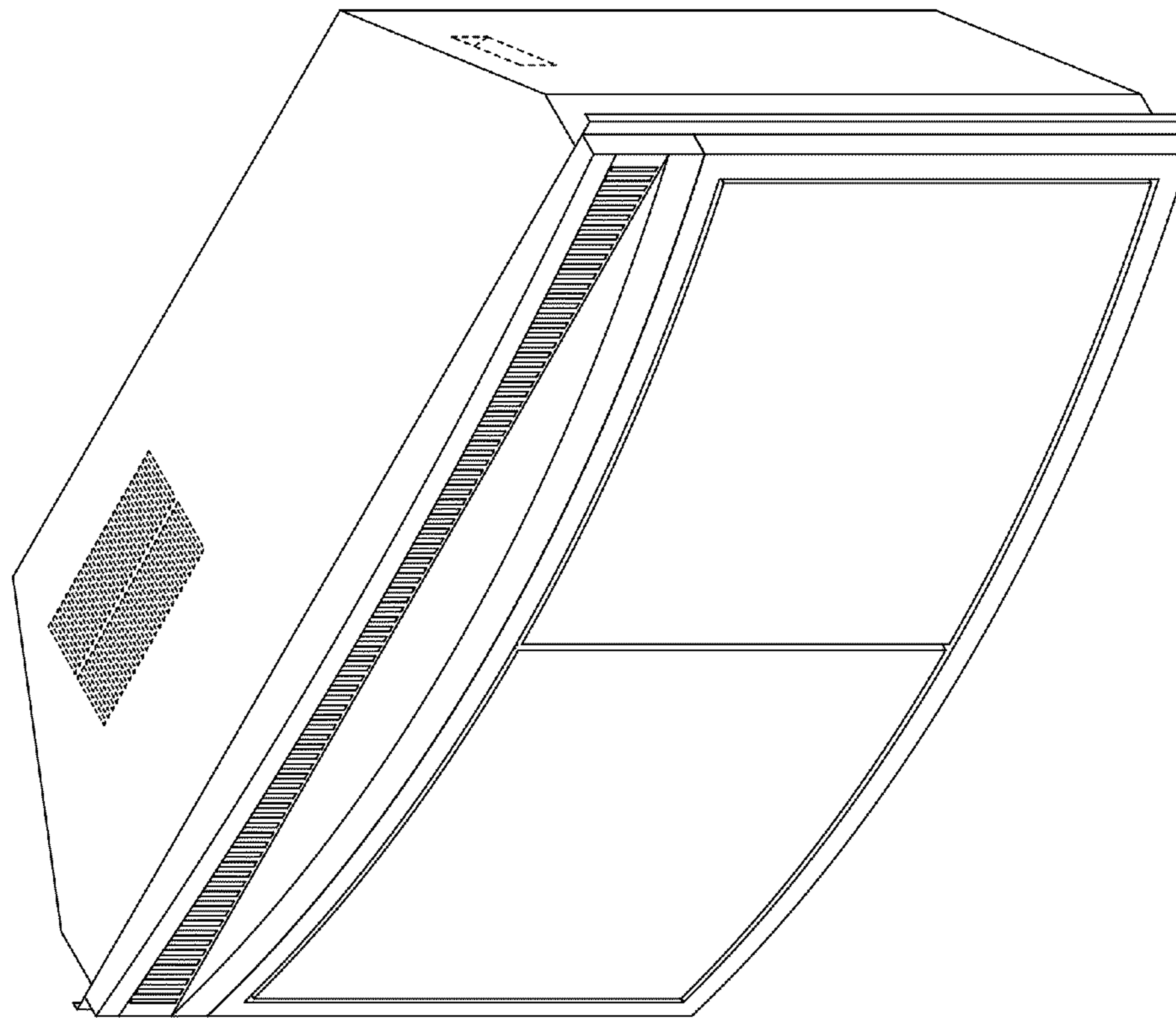


FIG.57

AMENDED

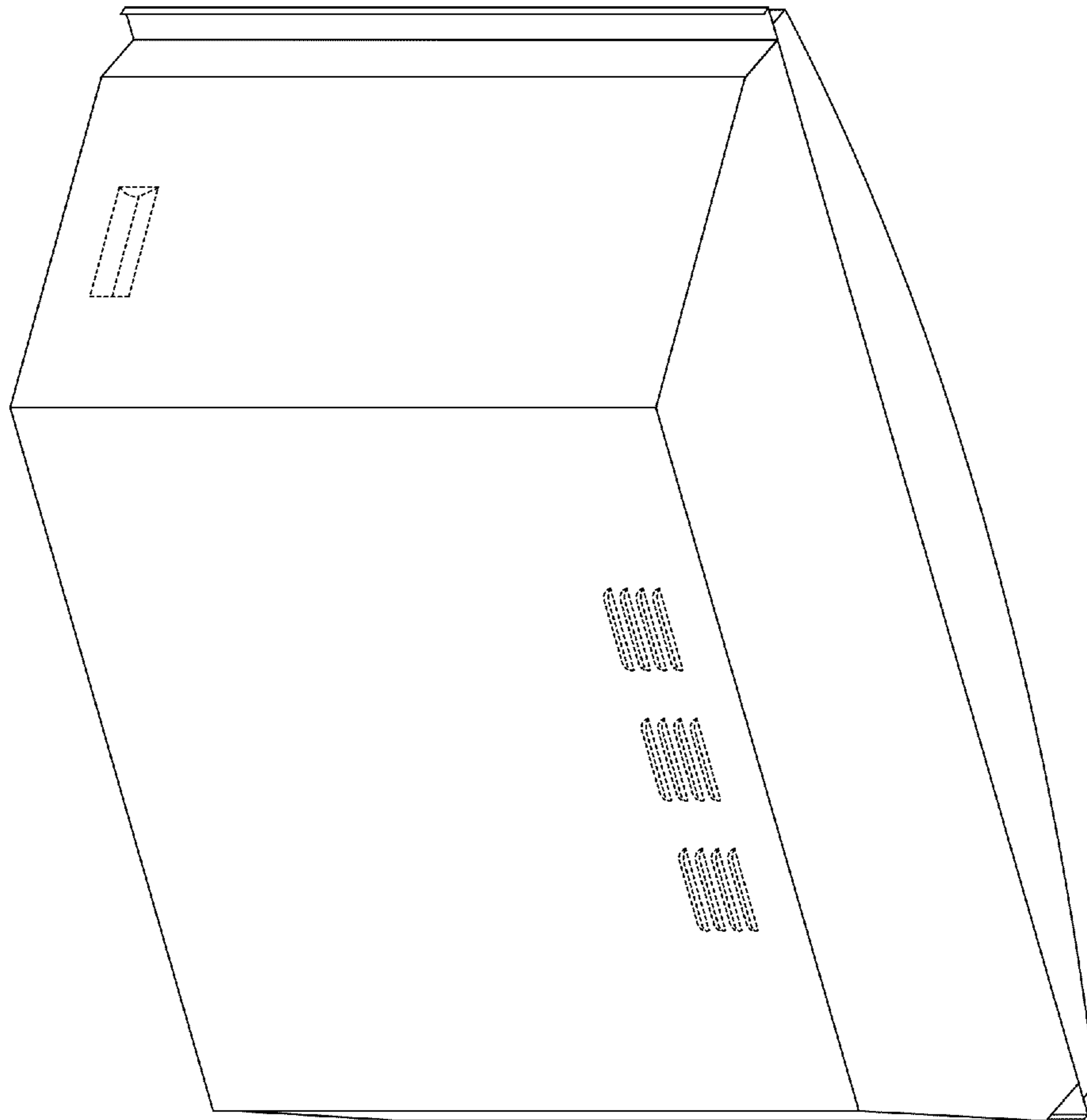


FIG. 58

AMENDED

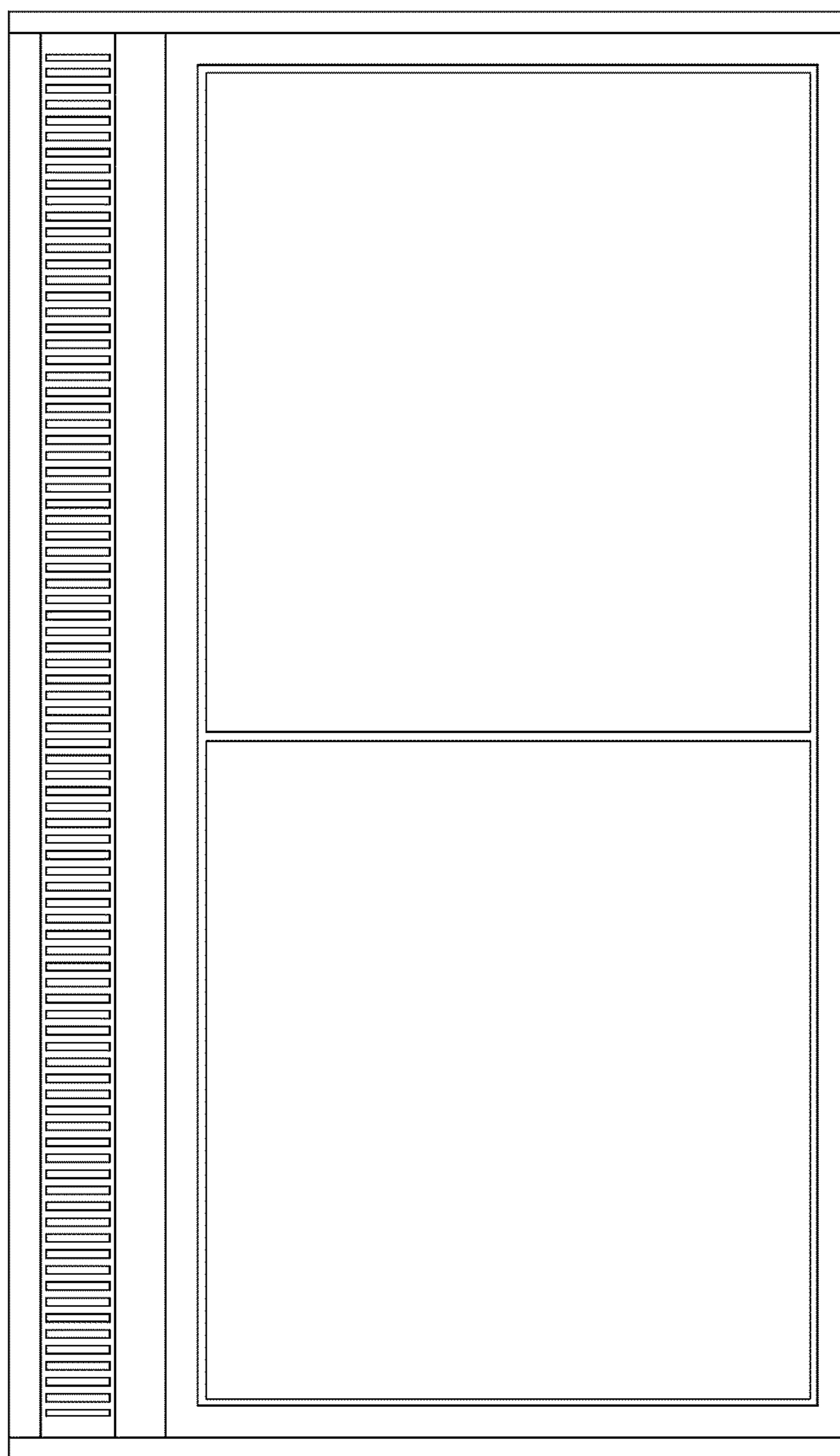


FIG.59

AMENDED

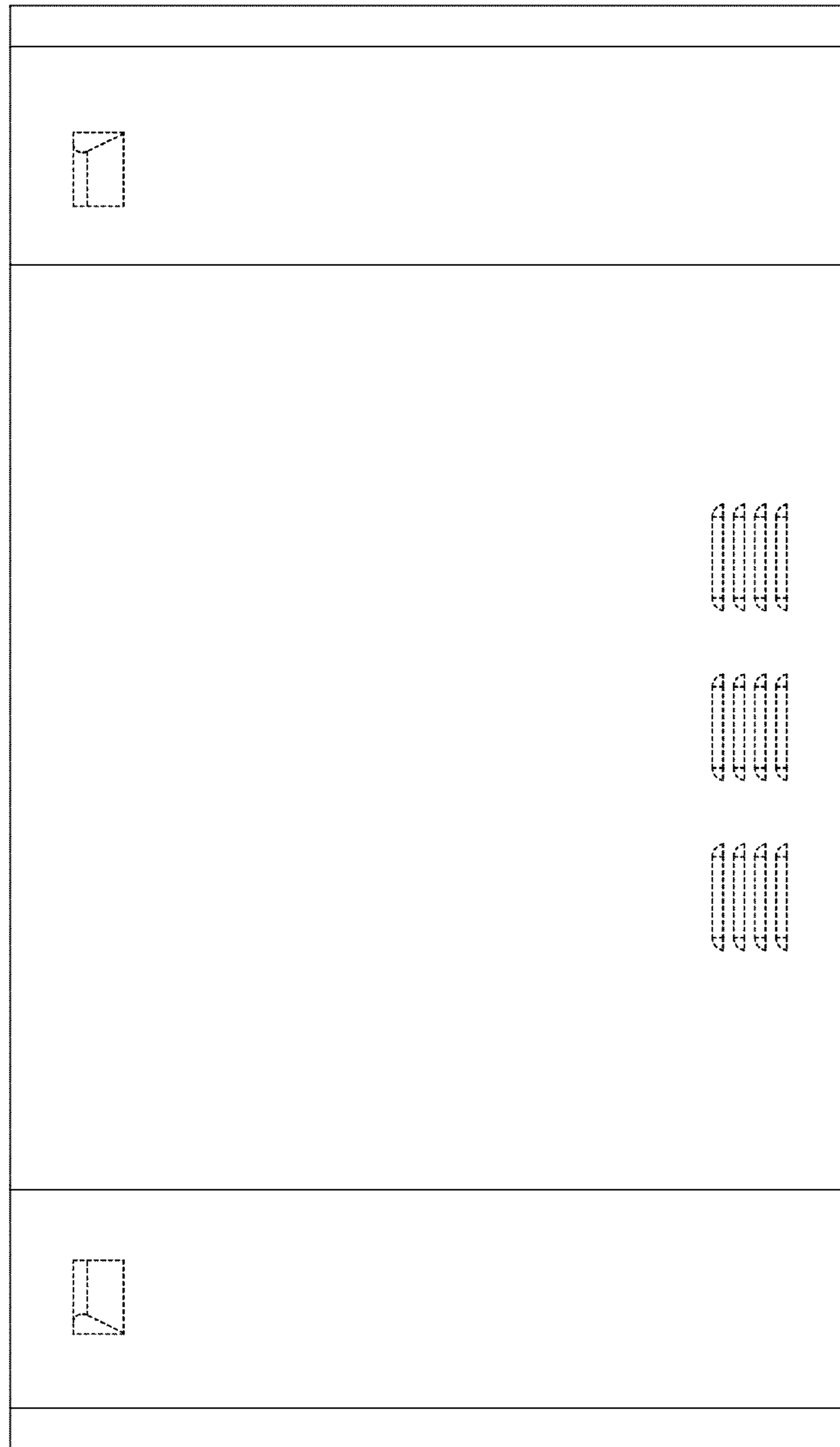


FIG.60

AMENDED



FIG.61

AMENDED



FIG.62

AMENDED

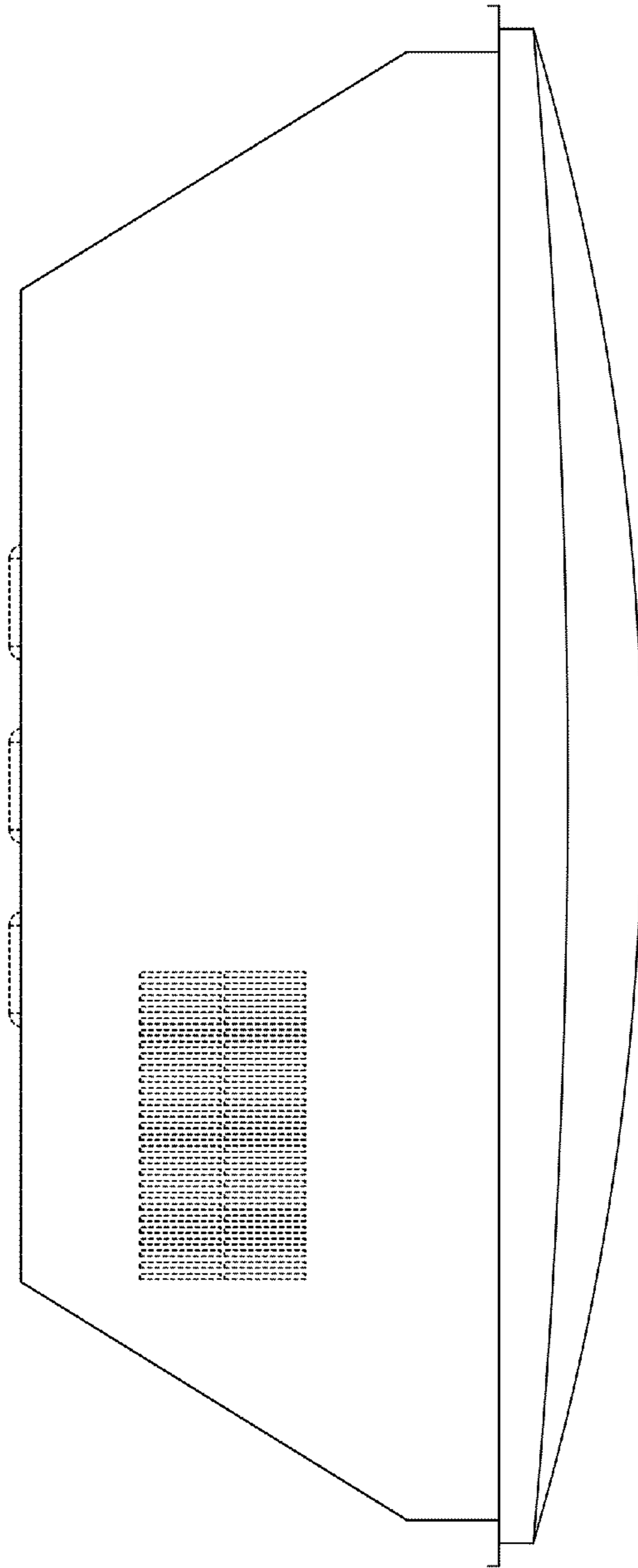


FIG. 63

AMENDED

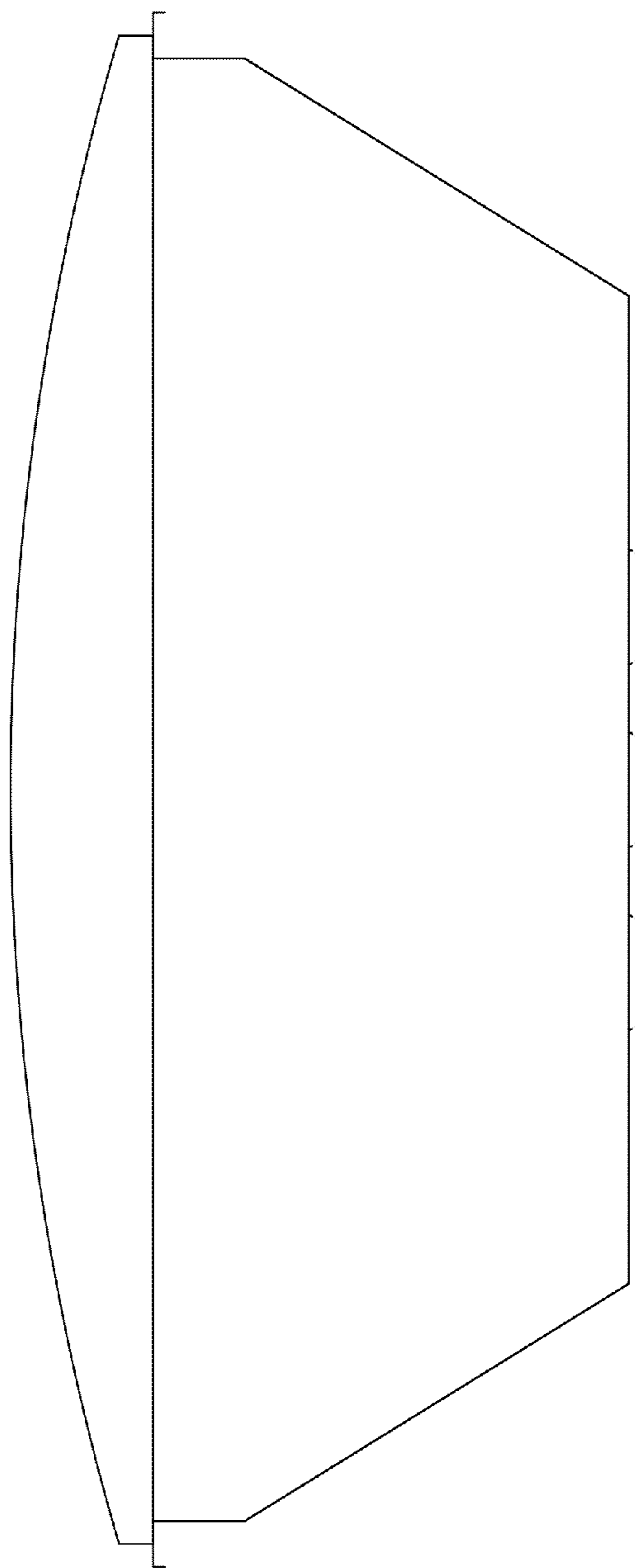


FIG.64

AMENDED

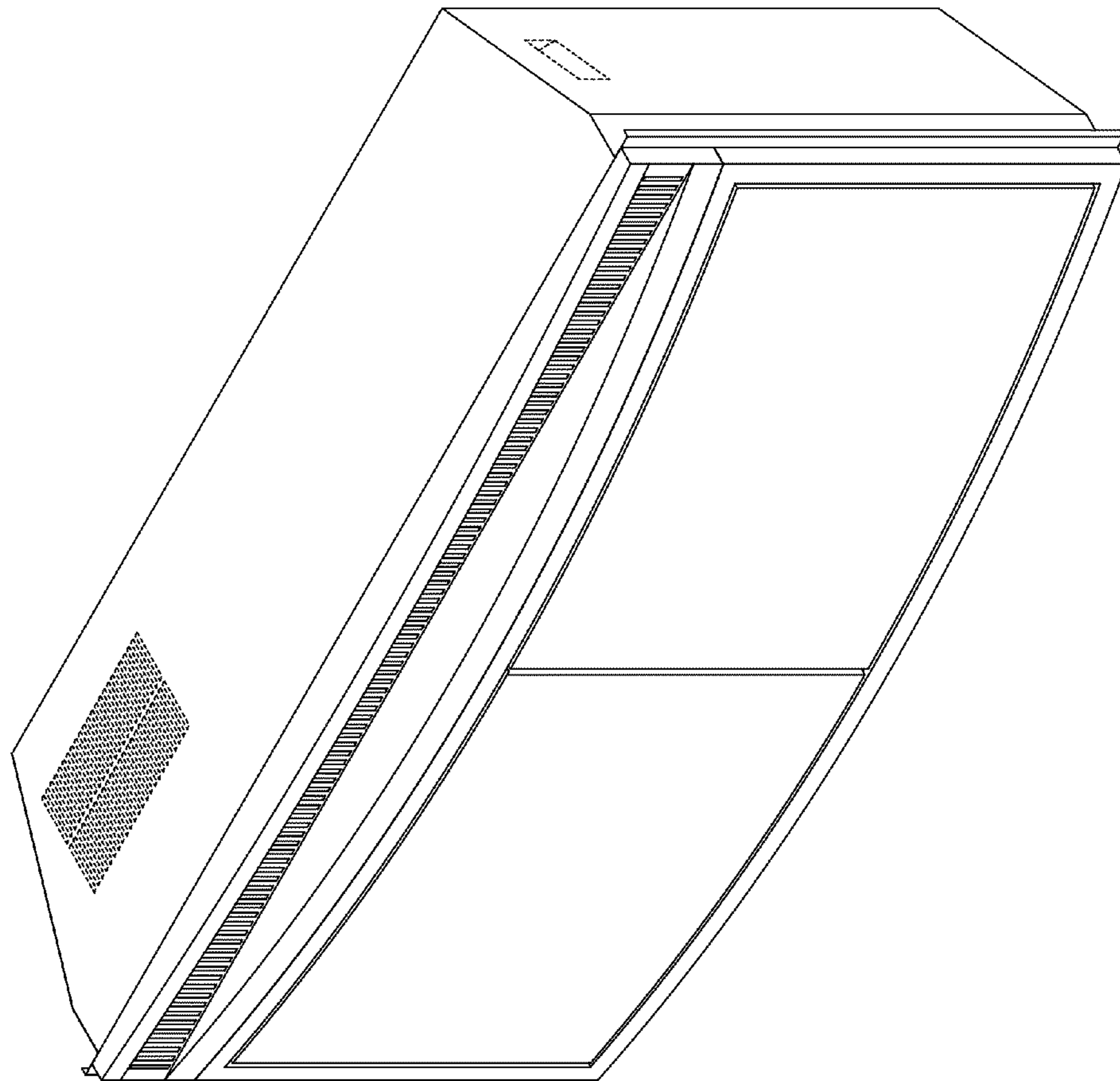


FIG.65

AMENDED

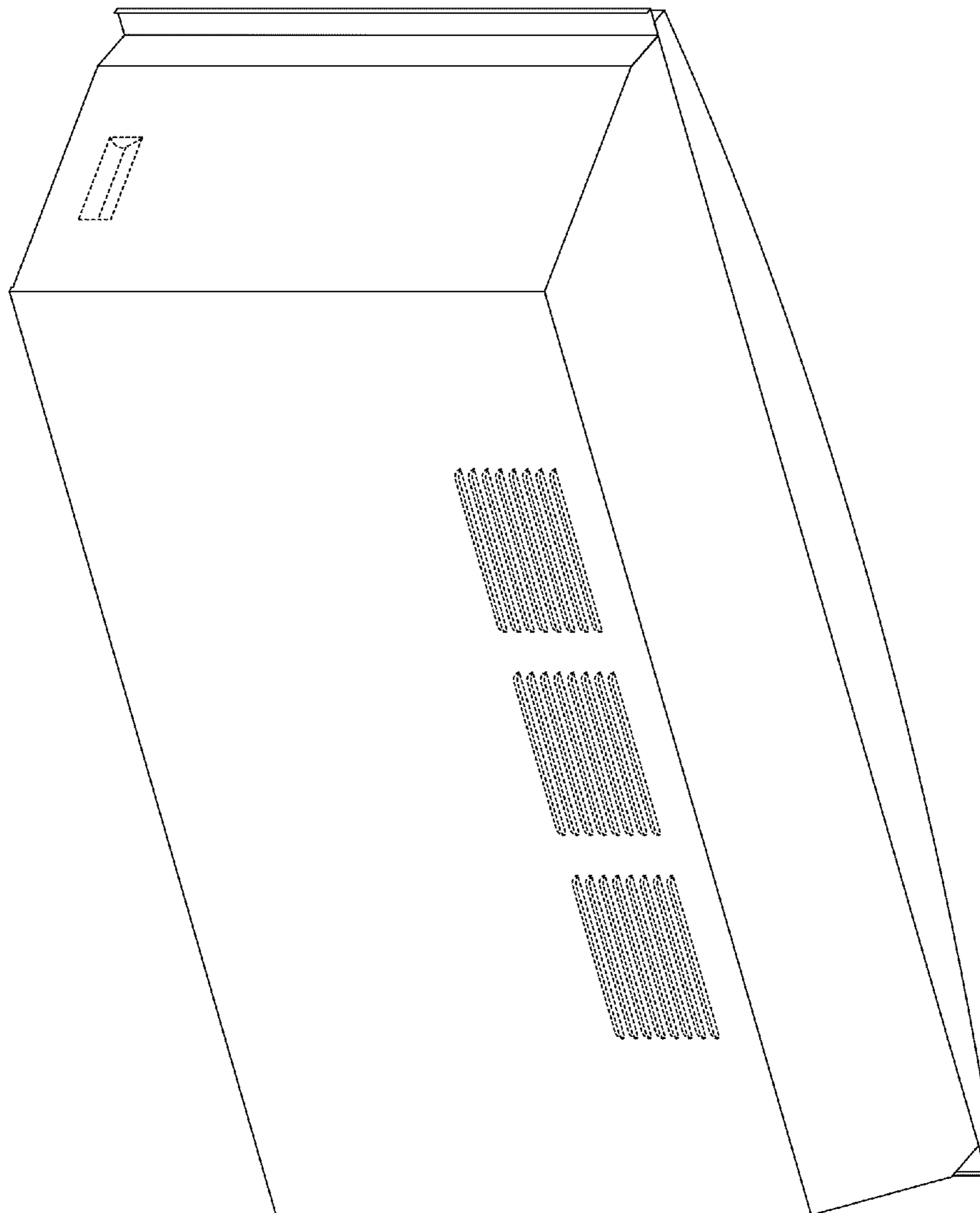


FIG. 66

AMENDED

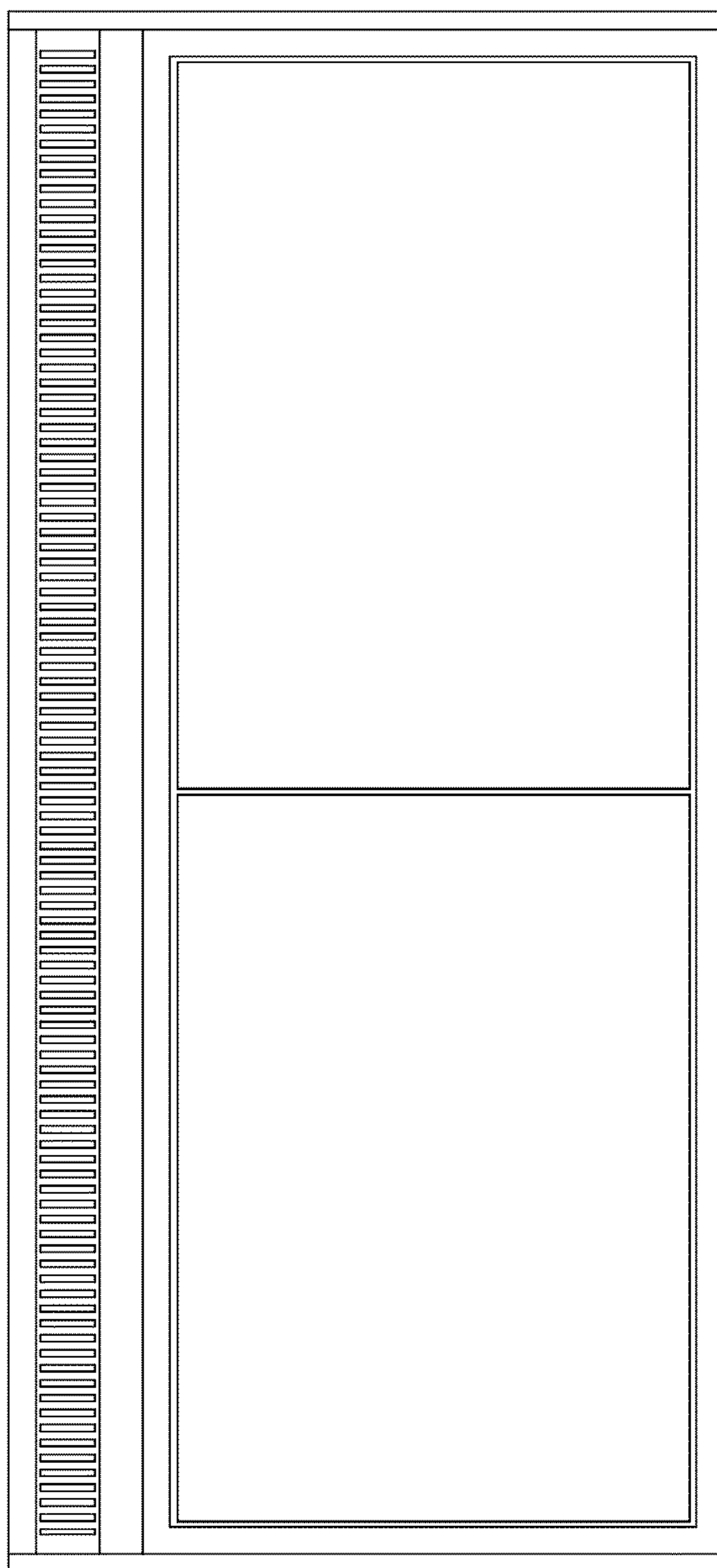


FIG. 67

AMENDED

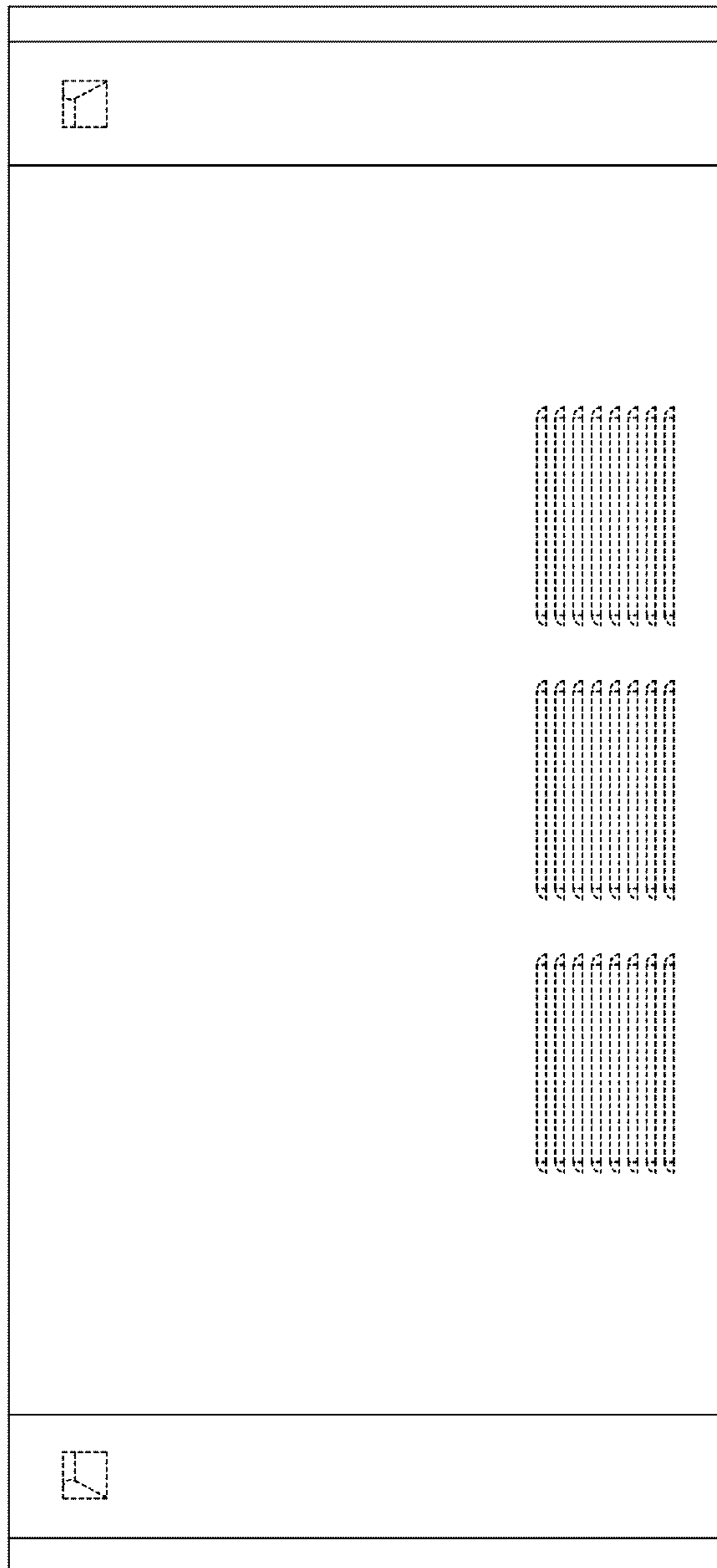


FIG. 68

AMENDED

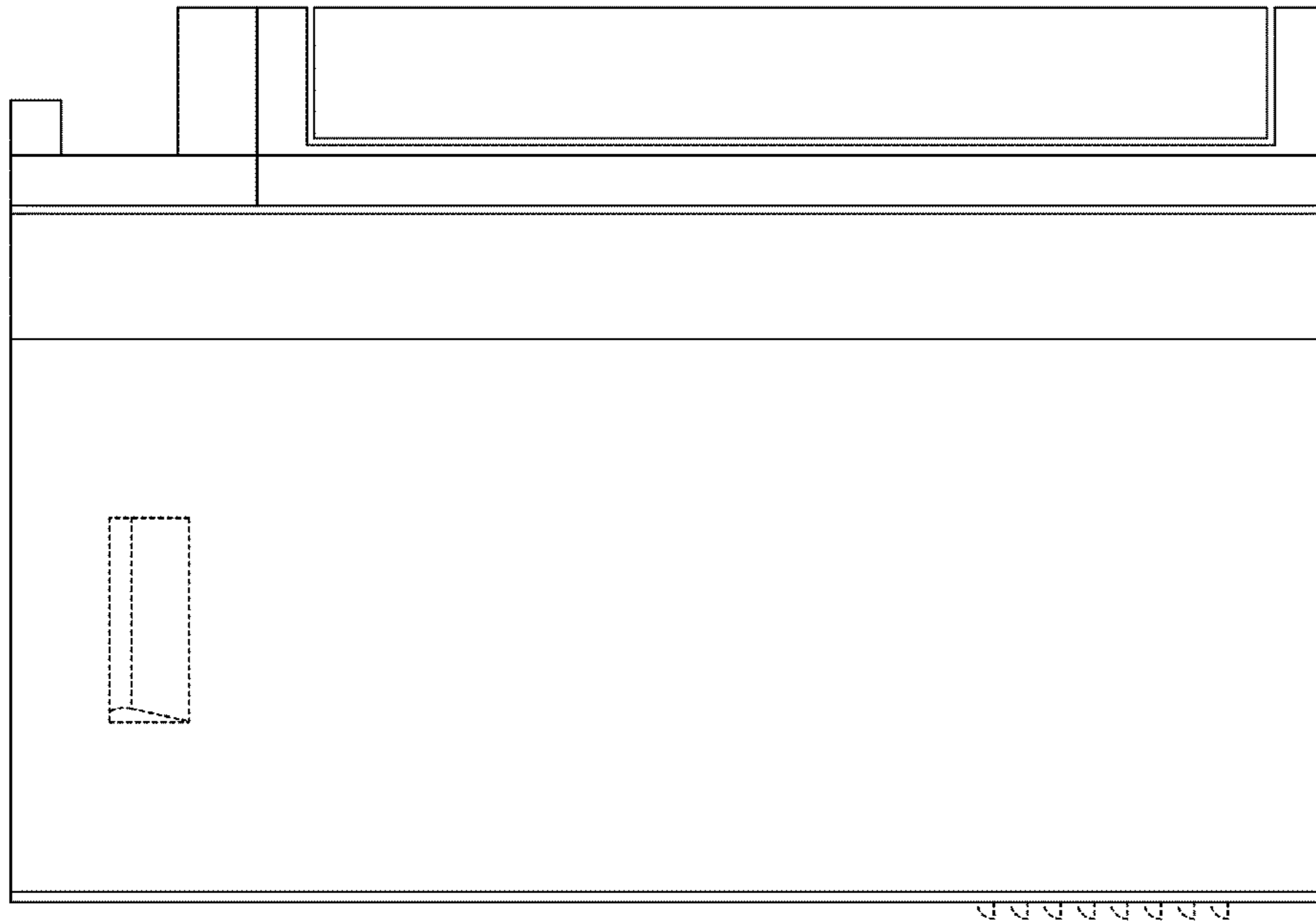


FIG. 69

AMENDED



FIG.70

AMENDED

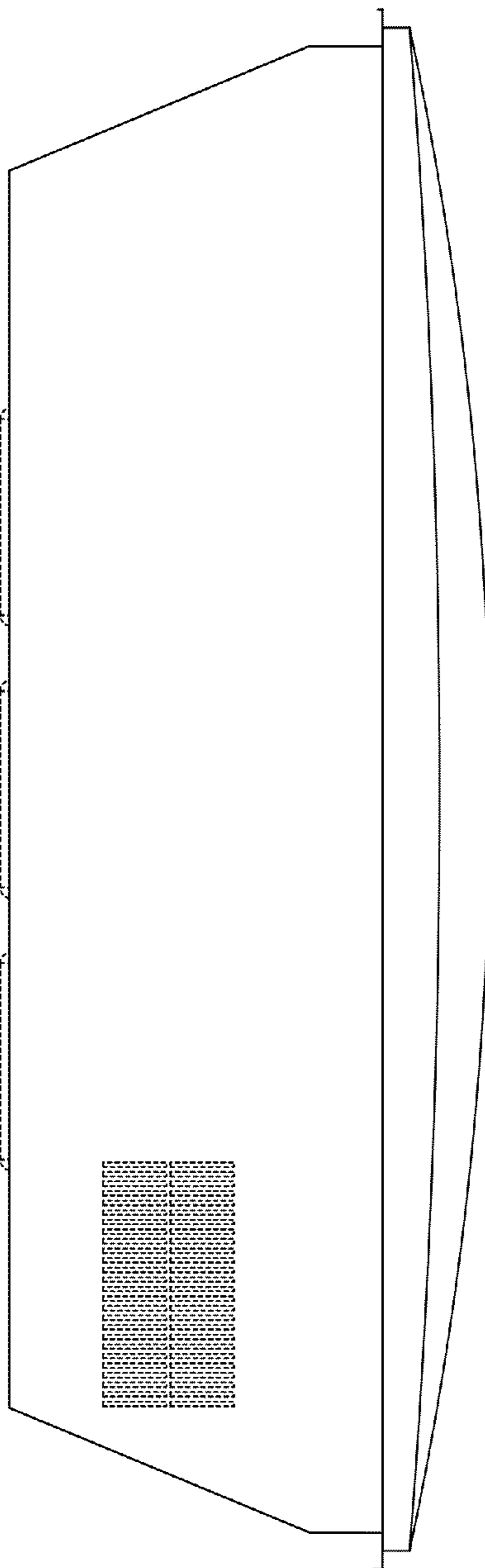


FIG.71

AMENDED

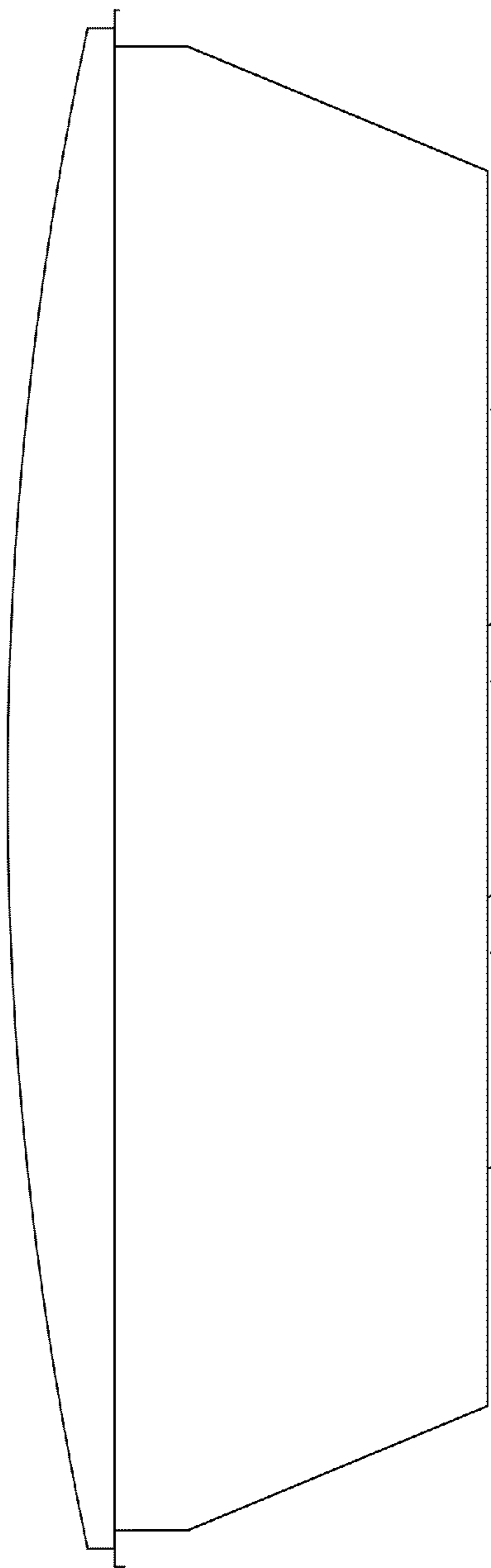


FIG.72

AMENDED

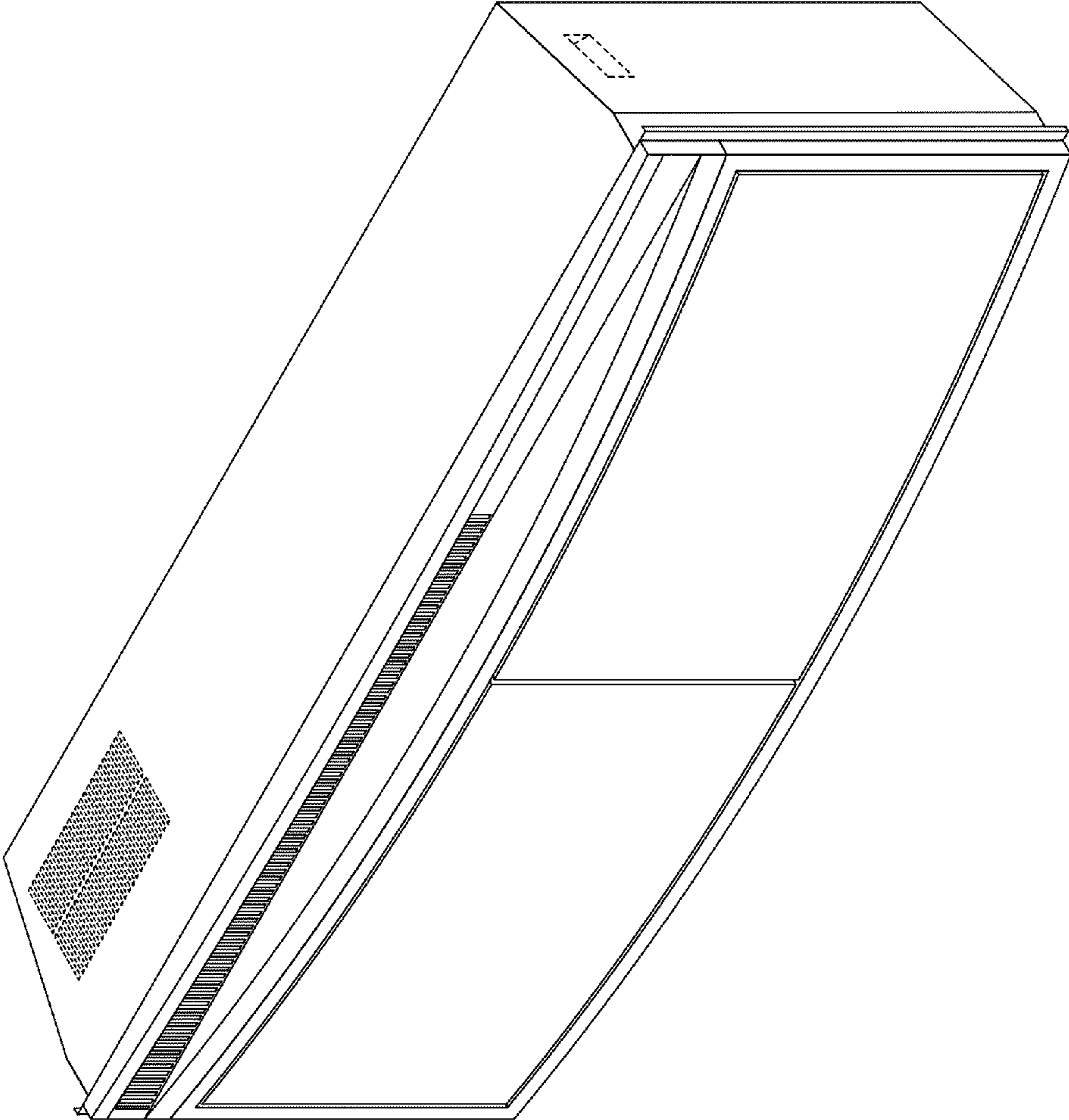


FIG.73

AMENDED

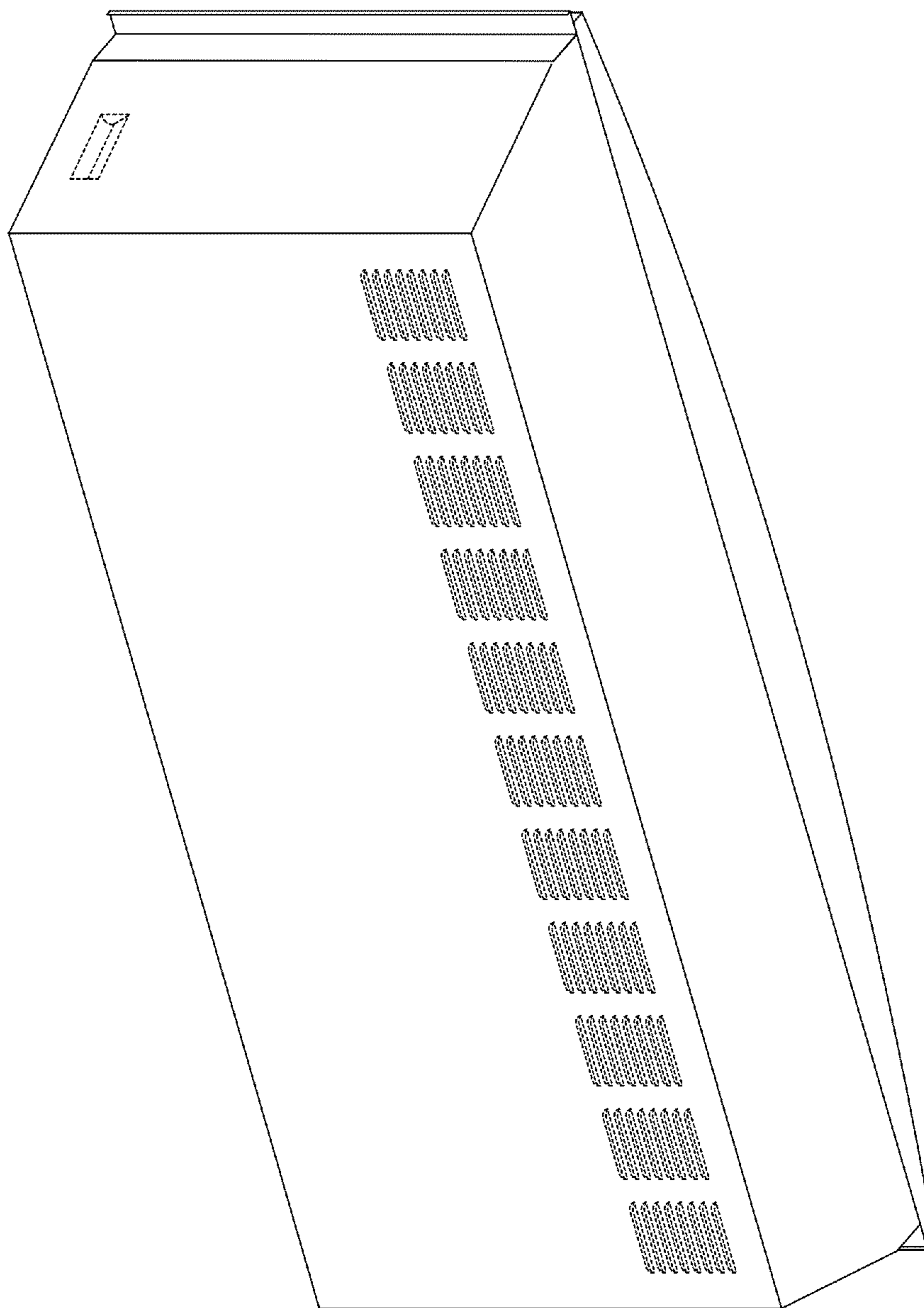


FIG.74

AMENDED

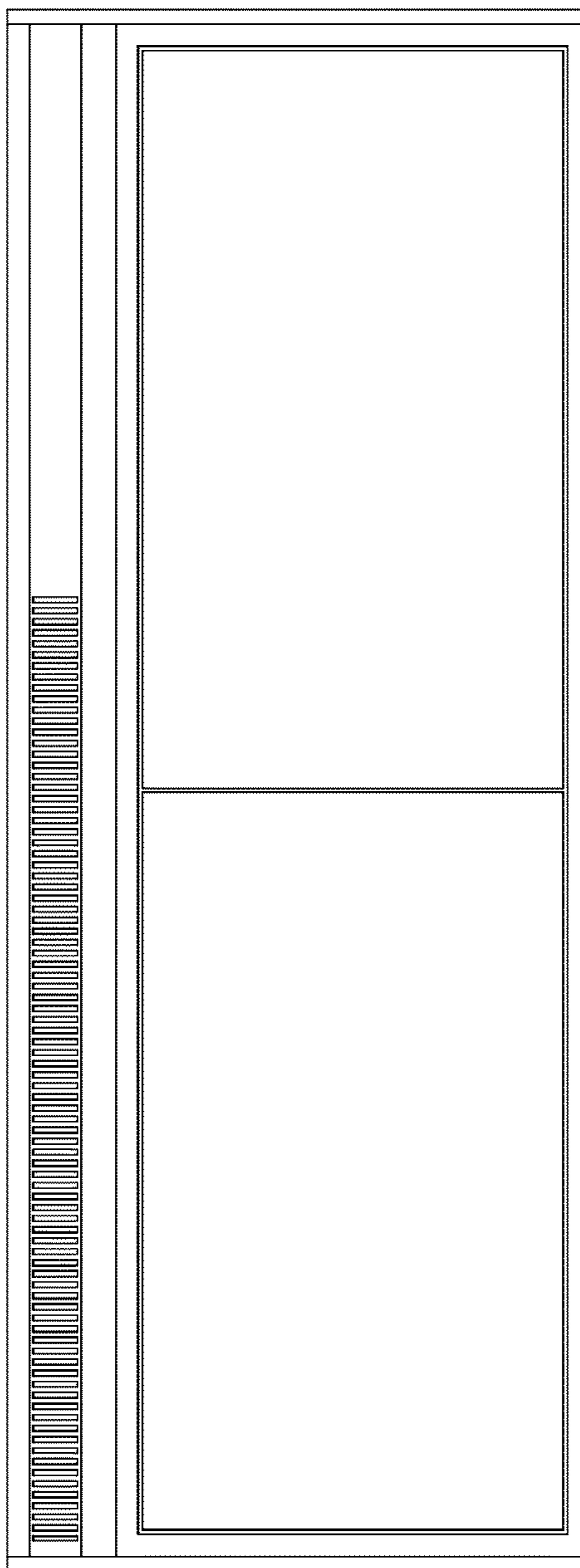


FIG.75

AMENDED

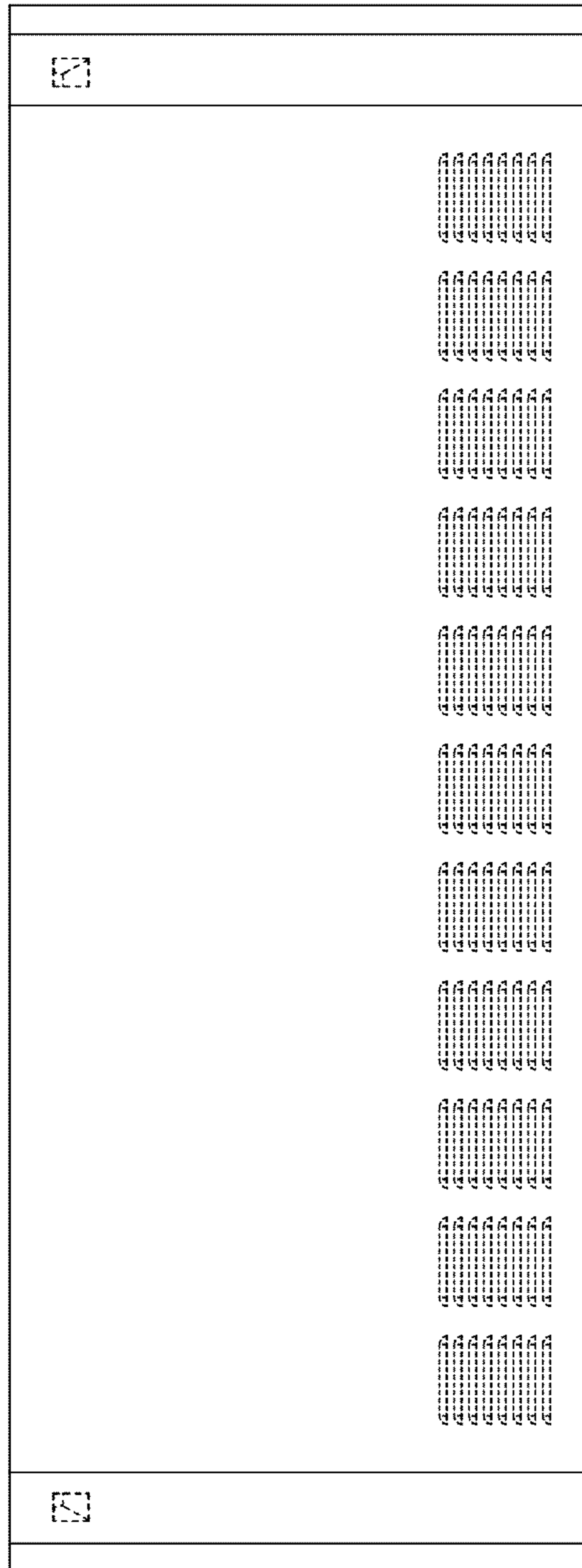


FIG.76

AMENDED

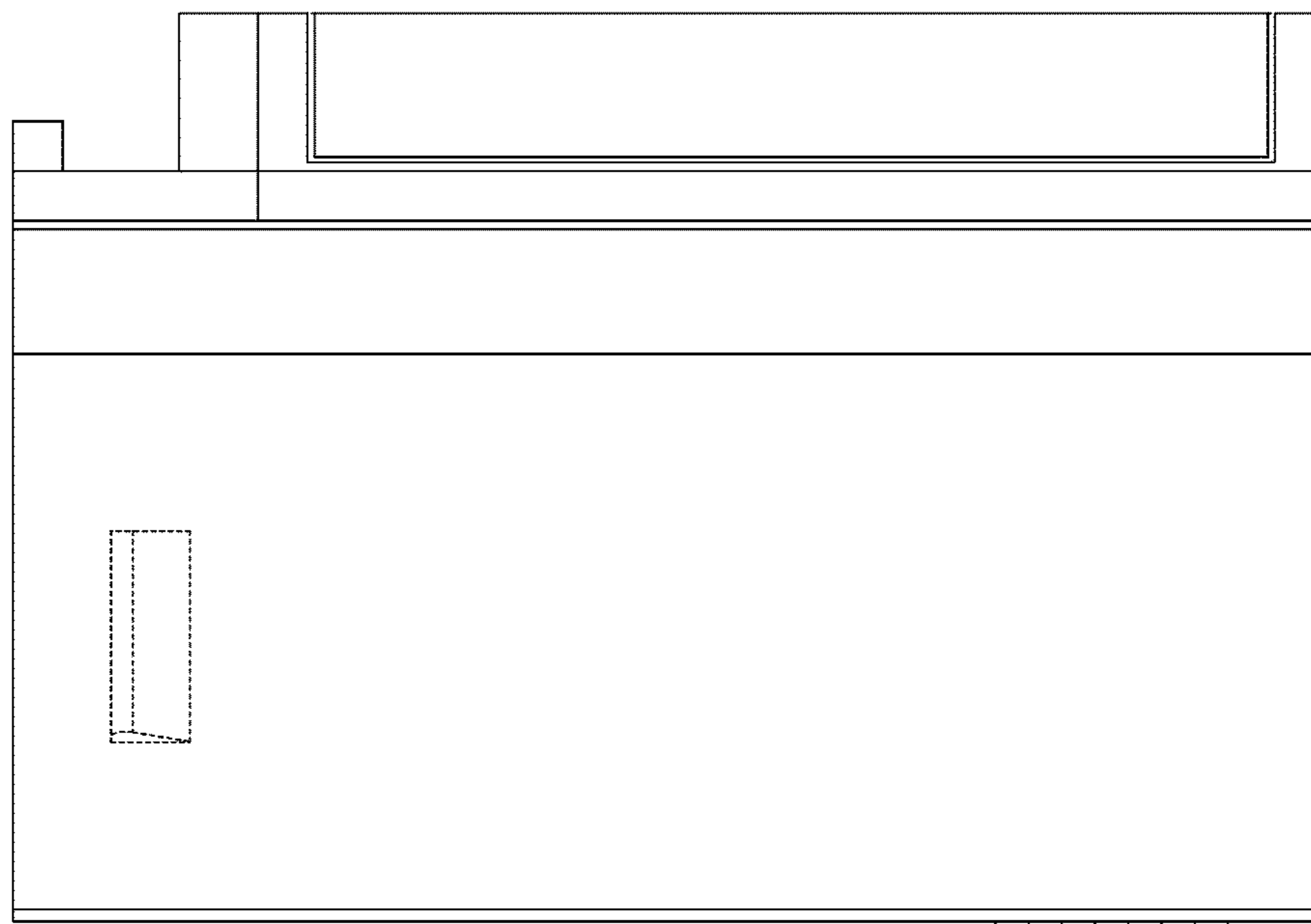


FIG.77

AMENDED

AMENDED



FIG.78

AMENDED

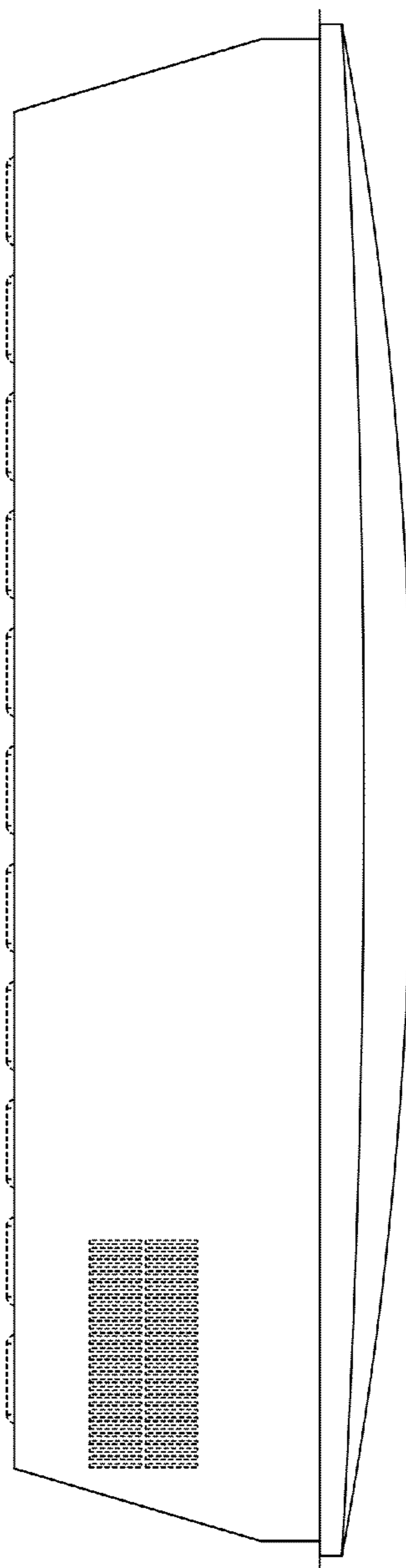


FIG.79

AMENDED

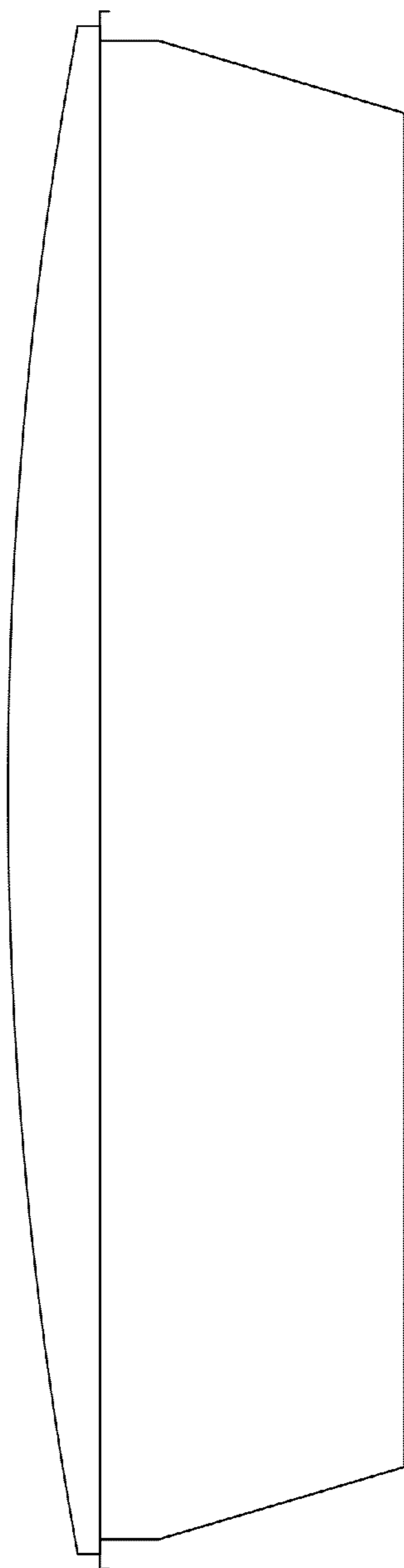


FIG.80