



US00RE45914E

(19) **United States**
(12) **Reissued Patent**
Oren et al.

(10) **Patent Number:** **US RE45,914 E**
(45) **Date of Reissued Patent:** **Mar. 8, 2016**

(54) **PROPPANT VESSEL**

1,143,641 A 6/1915 McGregor
(Continued)

(71) Applicant: **Oren Technologies, LLC**, Houston, TX
(US)

FOREIGN PATENT DOCUMENTS

(72) Inventors: **John Oren**, Houston, TX (US); **Joshua Oren**, Houston, TX (US)

CA	2023138	2/1992
CA	2791088	3/2013
DE	3342281	6/1985
EP	0019967	12/1980
EP	1775190	4/2007

(73) Assignee: **OREN TECHNOLOGIES, LLC**,
Houston, TX (US)

(Continued)

(21) Appl. No.: **29/518,163**

OTHER PUBLICATIONS

(22) Filed: **Feb. 20, 2015**

International Search Report for related International Application No. PCT/US2012/066639, Feb. 25, 2013.

(Continued)

Related U.S. Patent Documents

Reissue of:

(64) Patent No.: **Des. 688,772**
Issued: **Aug. 27, 2013**
Appl. No.: **29/436,167**
Filed: **Nov. 2, 2012**

Primary Examiner — Phillip S Hyder
(74) *Attorney, Agent, or Firm* — Hogan Lovells US LLP

U.S. Applications:

(62) Division of application No. 29/500,678, filed on Aug. 27, 2014, which is an application for the reissue of Pat. No. Des. 688,772.

(57) **CLAIM**

The ornamental design for a proppant vessel, as shown and described.

(51) **LOC (10) Cl.** **23-01**

(52) **U.S. Cl.**
USPC **D23/202**

DESCRIPTION

(58) **Field of Classification Search**
USPC D23/202–206; D3/273; 206/386, 600,
206/1.5; D34/38
CPC B65D 88/20; B65D 88/26; B65D 88/129
See application file for complete search history.

FIG. 1 is an upper perspective view of the proppant vessel showing our [design] design;
FIG. 2 is a front elevation view thereof;
FIG. 3 is a rear elevation view thereof;
FIG. 4 is a right side elevation view thereof;
FIG. 5 is [an opposite] a left side elevation view thereof;
FIG. 6 is a top plan view thereof; and,
FIG. 7 is a bottom plan view thereof.
The broken lines depict portions of the proppant vessel in which the design is embodied that are not considered part of the claimed design.

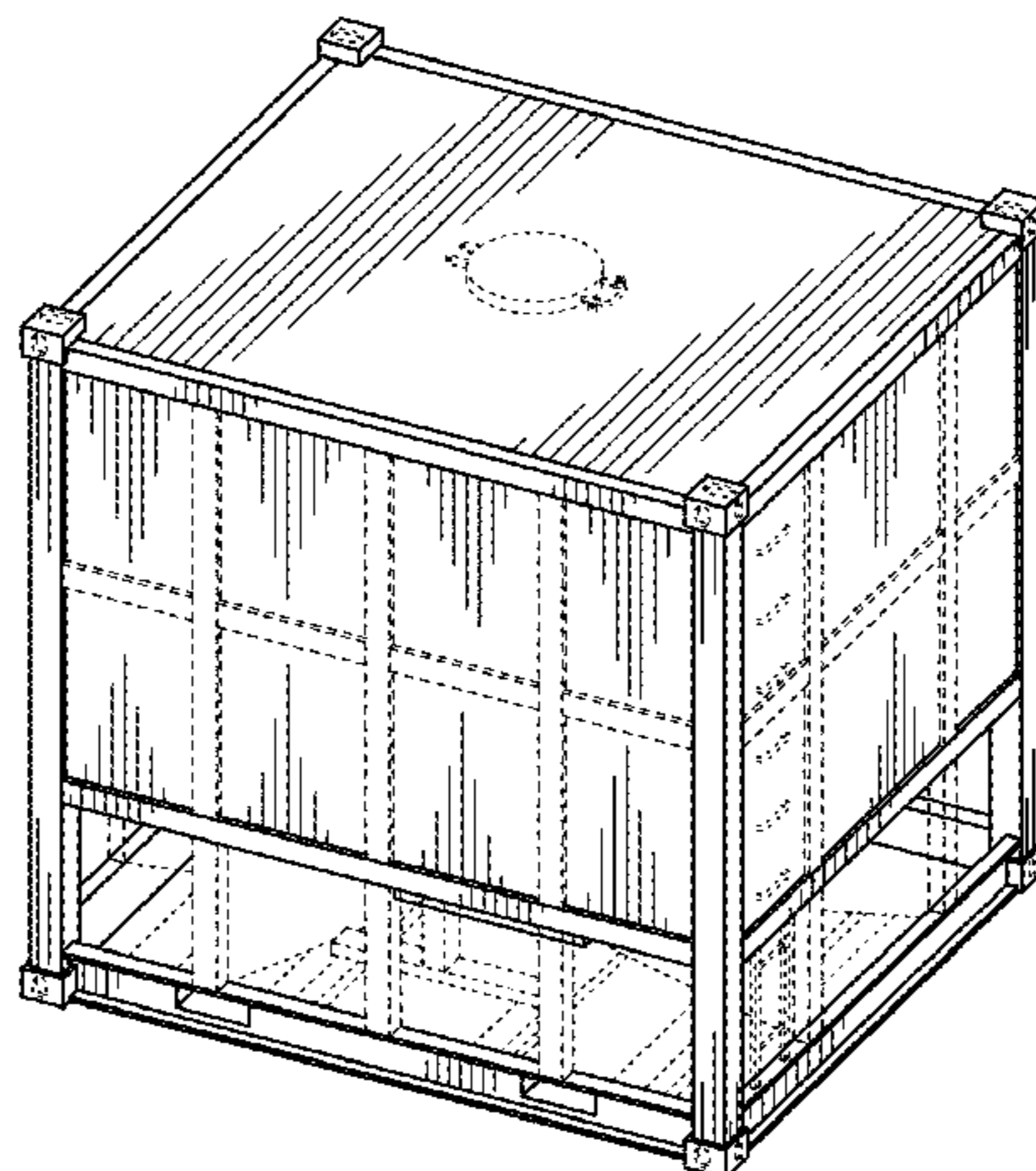
(56) **References Cited**

U.S. PATENT DOCUMENTS

137,871 A	4/1873	Worsley
150,894 A	5/1874	Safely
384,443 A	6/1888	Hoover
448,238 A	3/1891	Johnson

1 Claim, 2 Drawing Sheets

Matter enclosed in heavy brackets [] appears in the original patent but forms no part of this reissue; matter printed in italics indicates the additions made by reissue.



Amended

(56)

References Cited

U.S. PATENT DOCUMENTS

1,331,883 A	2/1920	Stuart	4,882,784 A	11/1989	Tump
1,344,768 A	6/1920	Messiter	4,909,378 A	3/1990	Webb
1,434,488 A	11/1922	Forsythe et al.	4,909,556 A	3/1990	Koskinen
1,520,560 A	12/1923	Burno	4,919,583 A	4/1990	Speakman, Jr.
1,506,936 A	9/1924	Lea	4,946,068 A	8/1990	Erickson et al.
1,526,527 A	2/1925	Butler	4,975,205 A	12/1990	Sloan
1,573,664 A	2/1926	Wetherill	4,995,522 A	2/1991	Barr
1,850,000 A	3/1932	Fernand	5,004,400 A	4/1991	Handke
1,973,312 A	9/1934	Hardinge	5,069,352 A *	12/1991	Harbolt et al. 220/1.5
2,233,005 A	2/1941	Garlinghouse	5,102,286 A	4/1992	Fenton
2,368,672 A	2/1945	McNamara	5,105,858 A	4/1992	Levinson
2,564,020 A	8/1951	Mengel	5,131,524 A	7/1992	Uehara
2,616,758 A	11/1952	Meyers	5,199,826 A	4/1993	Lawrence
2,622,771 A	12/1952	Tulou	5,201,546 A	4/1993	Lindsay
2,652,174 A	9/1953	Shea et al.	5,224,635 A	7/1993	Wise
2,865,521 A	12/1958	Fisher et al.	5,286,158 A	2/1994	Zimmerman
2,894,666 A	7/1959	Campbell, Jr.	5,373,792 A	12/1994	Pileggi et al.
3,049,248 A	8/1962	Heltzel et al.	5,402,915 A	4/1995	Hogan
3,064,832 A	11/1962	Heltzel	5,413,154 A	5/1995	Hurst, Jr. et al.
3,083,879 A	4/1963	Coleman	5,429,259 A *	7/1995	Robin 217/65
3,090,527 A	5/1963	Rensch	5,441,321 A	8/1995	Karpisek
3,199,585 A	8/1965	Cronberger	5,470,175 A	11/1995	Jensen et al.
3,248,026 A	4/1966	Kemp	5,538,286 A	7/1996	Hoff
3,270,921 A	9/1966	Nadolske et al.	5,564,599 A	10/1996	Barber et al.
3,281,006 A	10/1966	Tohchung	5,602,761 A	2/1997	Spoerre et al.
3,294,306 A	12/1966	Areddy	5,613,446 A	3/1997	DiLuigi et al.
3,318,473 A	5/1967	Jones et al.	RE35,580 E	8/1997	Heider et al.
3,353,599 A	11/1967	Swift	5,687,881 A *	11/1997	Rouse et al. 222/185.1
3,378,152 A	4/1968	Warner	5,690,466 A	11/1997	Gaddis et al.
3,387,570 A	6/1968	Pulcrano et al.	5,704,477 A *	1/1998	Hermann et al. 206/386
3,397,654 A	8/1968	Snyder	5,706,614 A *	1/1998	Wiley et al. 52/79.1
3,407,971 A	10/1968	Oehler	5,761,854 A *	6/1998	Johnson et al. 52/69
3,455,474 A	7/1969	Truncali	5,762,222 A *	6/1998	Liu 220/1.5
D216,511 S *	1/1970	Coleman D23/202	5,782,524 A	7/1998	Heider et al.
3,528,570 A	9/1970	Pase	5,806,863 A	9/1998	Heger et al.
3,561,633 A *	2/1971	Morrison et al. 220/1.5	5,836,480 A	11/1998	Epp et al.
3,587,834 A	6/1971	Dugge	5,876,172 A	3/1999	Di Rosa
3,601,244 A	8/1971	Ort et al.	5,911,337 A	6/1999	Bedeker
3,602,400 A	8/1971	Cooke	5,927,558 A	7/1999	Bruce
3,661,293 A	5/1972	Gerhard et al.	5,971,219 A	10/1999	Karpisek
3,738,511 A	6/1973	Lemon et al.	6,002,063 A	12/1999	Bilak et al.
3,785,534 A	1/1974	Smith	6,069,118 A	5/2000	Hinkel et al.
3,817,261 A	6/1974	Rogge	6,077,068 A *	6/2000	Okumura 431/1
3,986,708 A	10/1976	Heltzel et al.	6,109,486 A	8/2000	Lee
4,004,700 A	1/1977	Empey	6,120,233 A	9/2000	Adam
4,063,656 A	12/1977	Lambert	6,155,175 A	12/2000	Rude et al.
4,138,163 A *	2/1979	Calvert et al. 406/129	6,190,107 B1	2/2001	Lanigan et al.
4,178,117 A	12/1979	Brugler	6,192,985 B1	2/2001	Hinkel et al.
4,210,273 A	7/1980	Hegele	6,205,938 B1	3/2001	Foley et al.
4,210,963 A	7/1980	Ricciardi et al.	6,247,594 B1	6/2001	Garton
RE30,358 E	8/1980	Sensibar	6,283,212 B1	9/2001	Hinkel et al.
4,232,884 A	11/1980	DeWitt	6,306,800 B1	10/2001	Samuel et al.
4,239,424 A	12/1980	Pavolka	6,328,156 B1	12/2001	Otsman
4,247,228 A	1/1981	Gray et al.	6,328,183 B1	12/2001	Coleman
4,265,266 A	5/1981	Kierbow et al.	6,364,584 B1 *	4/2002	Taylor 410/94
4,282,988 A	8/1981	Hulbert, Jr.	6,401,983 B1	6/2002	McDonald et al.
4,350,241 A	9/1982	Wenzel	6,415,909 B1	7/2002	Mitchell et al.
4,359,176 A	11/1982	Johnson	6,457,291 B2	10/2002	Wick
4,363,396 A	12/1982	Wolf et al.	6,508,615 B2	1/2003	Taylor
4,397,406 A	8/1983	Croley	6,660,693 B2	12/2003	Miller et al.
4,398,653 A	8/1983	Daloisio	6,675,073 B2	1/2004	Kieman et al.
4,402,392 A	9/1983	Fabian et al.	6,720,290 B2	4/2004	England et al.
4,407,202 A	10/1983	McCormick	6,772,912 B1	8/2004	Schall et al.
4,408,886 A	10/1983	Sampson et al.	6,776,235 B1	8/2004	England
4,428,504 A	1/1984	Bassett et al.	6,783,032 B2	8/2004	Fons
4,449,861 A	5/1984	Saito et al.	6,811,048 B2 *	11/2004	Lau 220/1.5
4,532,098 A	7/1985	Campbell	6,828,280 B2	12/2004	England et al.
4,608,931 A	9/1986	Ruhmann et al.	6,835,041 B1	12/2004	Albert
4,626,155 A	12/1986	Hlinsky et al.	6,882,960 B2	4/2005	Miller
4,701,095 A	10/1987	Berryman et al.	6,902,061 B1	6/2005	Elstone
4,715,754 A	12/1987	Scully	6,915,854 B2	7/2005	England et al.
4,738,774 A	4/1988	Patrick	6,953,119 B1	10/2005	Wening
4,801,389 A	1/1989	Brannon et al.	6,955,127 B2	10/2005	Taylor
4,819,830 A	4/1989	Schultz	6,968,946 B2	11/2005	Shuert
4,848,605 A	7/1989	Wise	7,036,662 B2 *	5/2006	Schutz 206/386
			7,084,095 B2	8/2006	Lee et al.
			7,104,425 B2	9/2006	Le Roy
			7,140,516 B2	11/2006	Bothor
			7,214,028 B2	5/2007	Boasso

(56)

References Cited

U.S. PATENT DOCUMENTS

7,240,681 B2 7/2007 Saik
 7,252,309 B2 8/2007 Eng Soon et al.
 7,284,579 B2 10/2007 Elgan et al.
 7,316,333 B2 1/2008 Wegner
 7,475,796 B2 1/2009 Garton
 7,513,280 B2 4/2009 Brashears et al.
 7,802,958 B2 9/2010 Garcia et al.
 7,837,427 B2 11/2010 Beckel
 7,878,327 B2* 2/2011 Cassina 206/386
 7,897,223 B2* 3/2011 Schubach et al. 428/35.7
 7,921,783 B2 4/2011 Forbes et al.
 7,958,995 B2* 6/2011 Dedmon et al. 206/386
 7,967,161 B2 6/2011 Townsend
 8,083,083 B1 12/2011 Mohns
 8,201,520 B2 6/2012 Meritt
 8,313,278 B2 11/2012 Simmons et al.
 D688,351 S 8/2013 Oren
 8,505,780 B2 8/2013 Oren
 8,585,341 B1 11/2013 Oren
 8,616,370 B2 12/2013 Allegretti
 8,622,251 B2 1/2014 Oren
 8,668,430 B2 3/2014 Oren
 8,827,118 B2 9/2014 Oren
 8,887,914 B2 11/2014 Allegretti
 2001/0022308 A1 9/2001 Epp et al.
 2001/0045338 A1 11/2001 Ransil et al.
 2002/0139643 A1 10/2002 Peltier et al.
 2003/0111470 A1 6/2003 Fouillet et al.
 2004/0084874 A1 5/2004 McDougall et al.
 2004/0206646 A1 10/2004 Goh
 2004/0245284 A1 12/2004 Mehus et al.
 2005/0158158 A1 7/2005 Porta
 2005/0201851 A1 9/2005 Jonkka
 2006/0180062 A1 8/2006 Furrer et al.
 2006/0180232 A1 8/2006 Glewwe et al.
 2006/0239806 A1 10/2006 Yelton
 2006/0267377 A1 11/2006 Lusk et al.
 2007/0125543 A1 6/2007 McNeel et al.
 2008/0008562 A1 1/2008 Beckel et al.
 2008/0029546 A1 2/2008 Shuld
 2008/0029553 A1 2/2008 Culleton
 2008/0179054 A1 7/2008 McGough et al.
 2008/0179324 A1 7/2008 McGough et al.
 2008/0213073 A1 9/2008 Benedict et al.
 2008/0226434 A1 9/2008 Smith et al.
 2008/0264641 A1 10/2008 Slabaugh et al.
 2009/0038242 A1 2/2009 Cope
 2009/0078410 A1 3/2009 Krenek et al.
 2010/0021258 A1 1/2010 Kim
 2010/0038143 A1 2/2010 Burnett et al.
 2010/0040446 A1 2/2010 Renyer
 2011/0011893 A1 1/2011 Cerny
 2011/0017693 A1 1/2011 Thomas
 2011/0101040 A1 5/2011 Weissbrod
 2011/0222983 A1 9/2011 Dugic et al.
 2012/0219391 A1 8/2012 Teichrob et al.
 2013/0004272 A1 1/2013 Mintz

2013/0022441 A1 1/2013 Uhryn et al.
 2013/0206415 A1 8/2013 Sheesley
 2013/0209204 A1 8/2013 Sheesley
 2013/0233545 A1 9/2013 Mahoney
 2013/0309052 A1 11/2013 Luharuka
 2014/0020892 A1 1/2014 Oren
 2014/0023465 A1 1/2014 Oren et al.
 2014/0083554 A1 3/2014 Harris
 2014/0097182 A1 4/2014 Sheesley
 2014/0166647 A1 6/2014 Sheesley
 2014/0203046 A1 7/2014 Allegretti
 2014/0234059 A1 8/2014 Thomeer
 2014/0321950 A1 10/2014 Krenek et al.
 2015/0069052 A1 3/2015 Allegretti et al.

FOREIGN PATENT DOCUMENTS

JP 410087046 4/1998
 JP 10264882 10/1998
 MX 2012011046 5/2013
 WO 9008082 7/1990
 WO 2010026235 3/2010
 WO 2012021447 2/2012
 WO 2012058059 5/2012

OTHER PUBLICATIONS

International Search Report for related International Application No. PCT/US2013/035442, Jun. 23, 2013.
 International Search Report for related International Application No. PCT/US2013/032819, May 23, 2013.
 International Search Report for related International Application No. PCT/US2013/049028, Mar. 4, 2014.
 International Preliminary Report on Patentability for PCT/US2012/066639, Feb. 26, 2013.
 International Preliminary Report on Patentability for PCT/US2013/032819, Sep. 23, 2014.
 International Search Report for PCT/US2015/012990, dated May 6, 2015. (15 pages).
 FS-35 Desert Frac-Sanders. NOV (National Oilwell Varco). Mar. 19, 2012. (https://web.archive.org/web/20120319070423/http://www.nov.com/Well_Service_and_Completion/Frac_Sand_Handling_Equipment/Frac_Sanders/FS-35.aspx).
 File History for U.S. Appl. No. 61/538,616, Robert A. Harris, Sep. 23, 2011. (21 pages).
 International Search Report for PCT/US2015/024810, Jul. 8, 2015. (13 pages).
 European Search Report for Application No. 15167039.5, Sep. 8, 2015. (7 pages).
 SandBox Logistics, "Mine to Wellhead Logistics," Houston, TX, May 2013.
 SandBox Logistics, screenshots from video made in Apr. 2013 and publicly shown in May 2013, Amegard, North Dakota.
 International Search Report for PCT/US15/35635, Oct. 30, 2015, (12 pages).

* cited by examiner

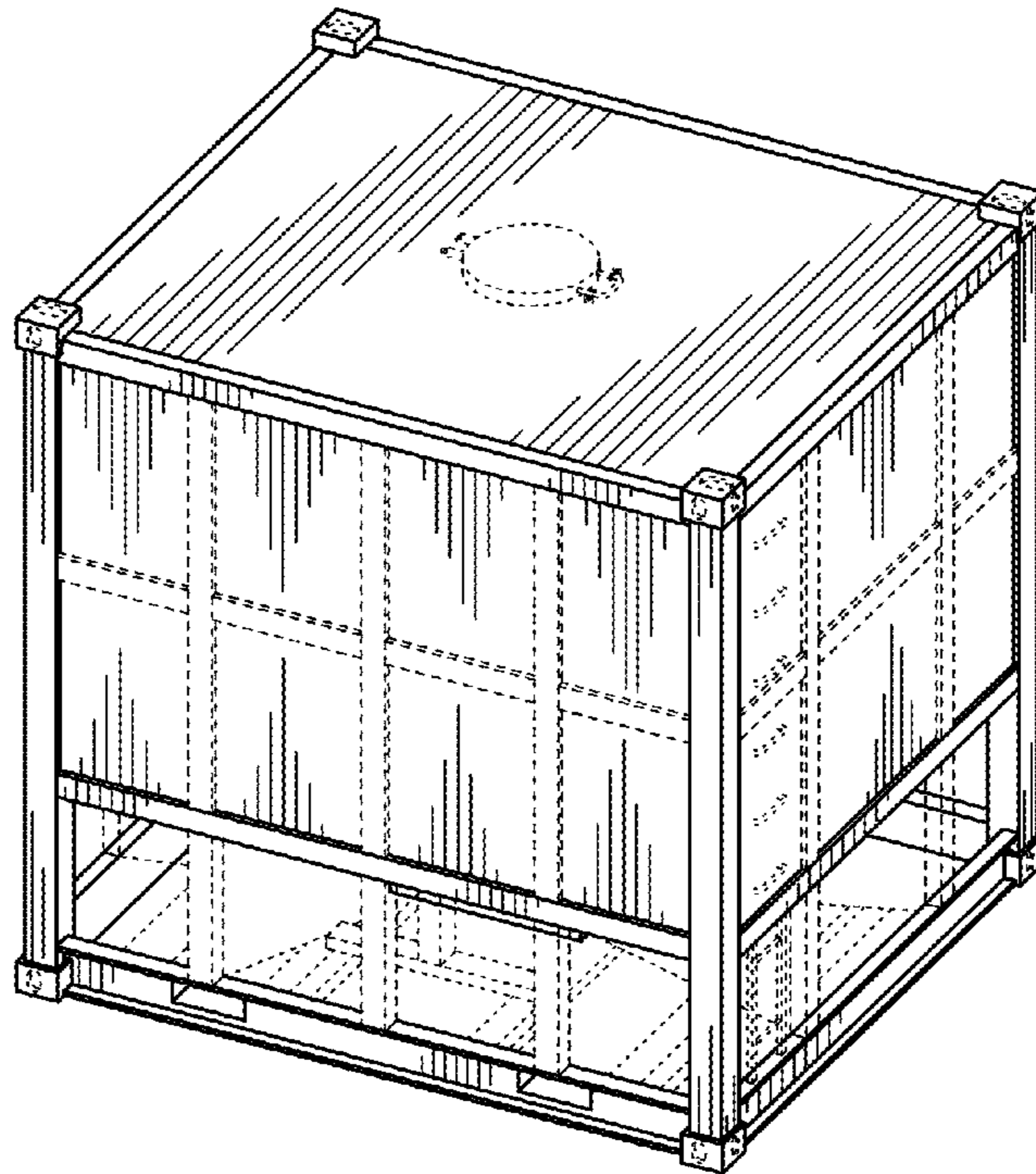


FIG. 1
Amended

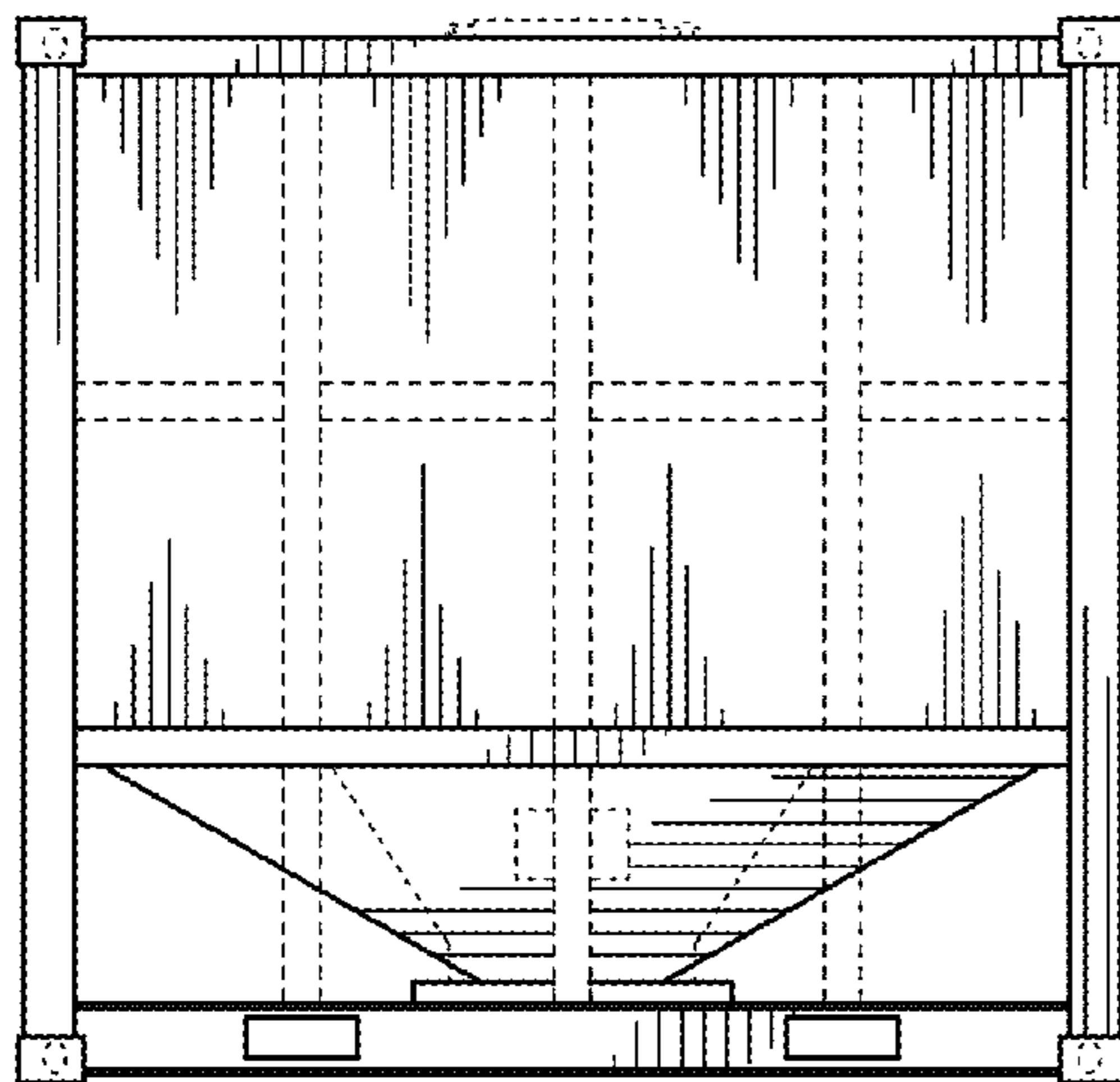


FIG. 2
Amended

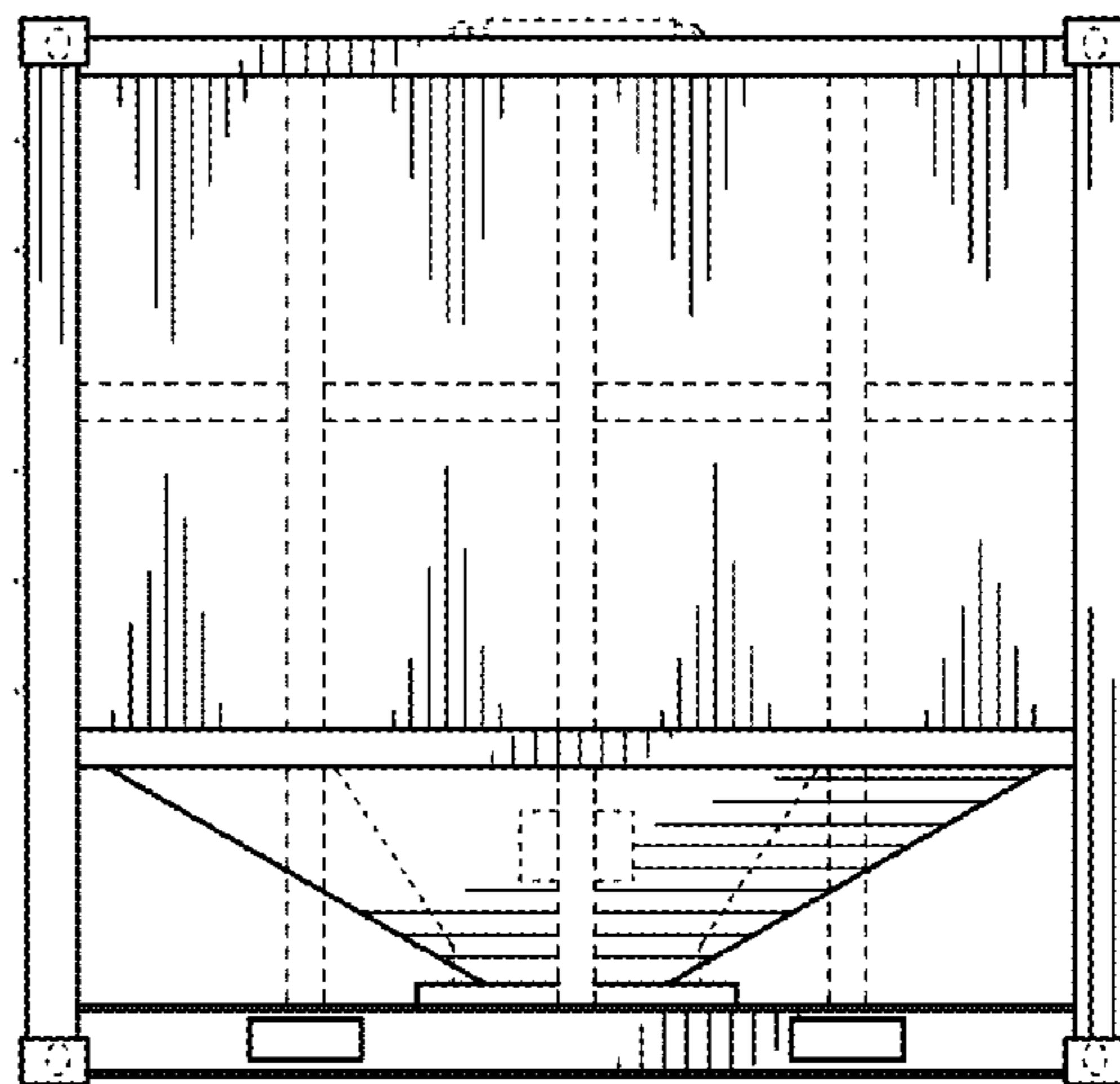


FIG. 3
Amended

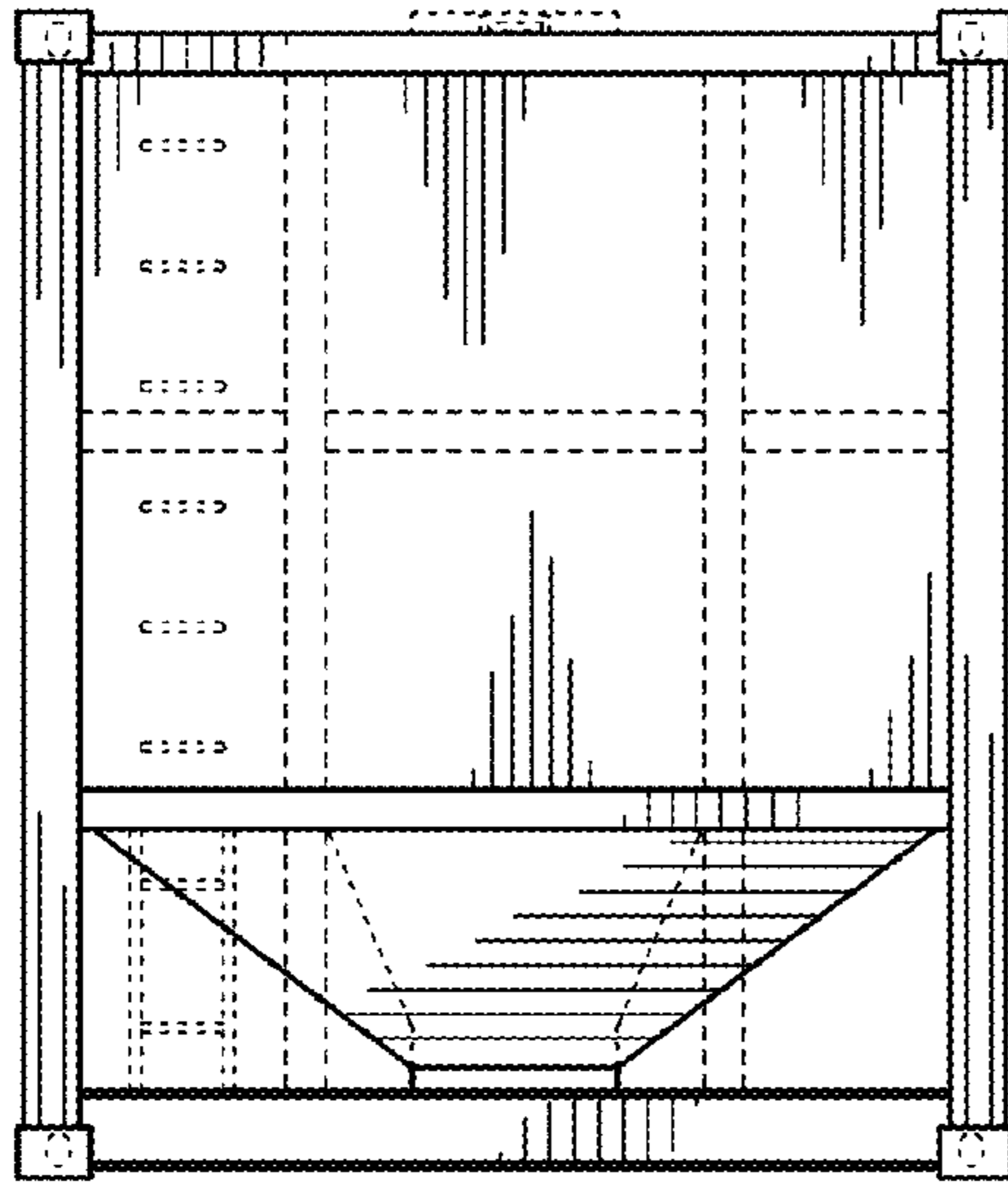


FIG. 4
Amended

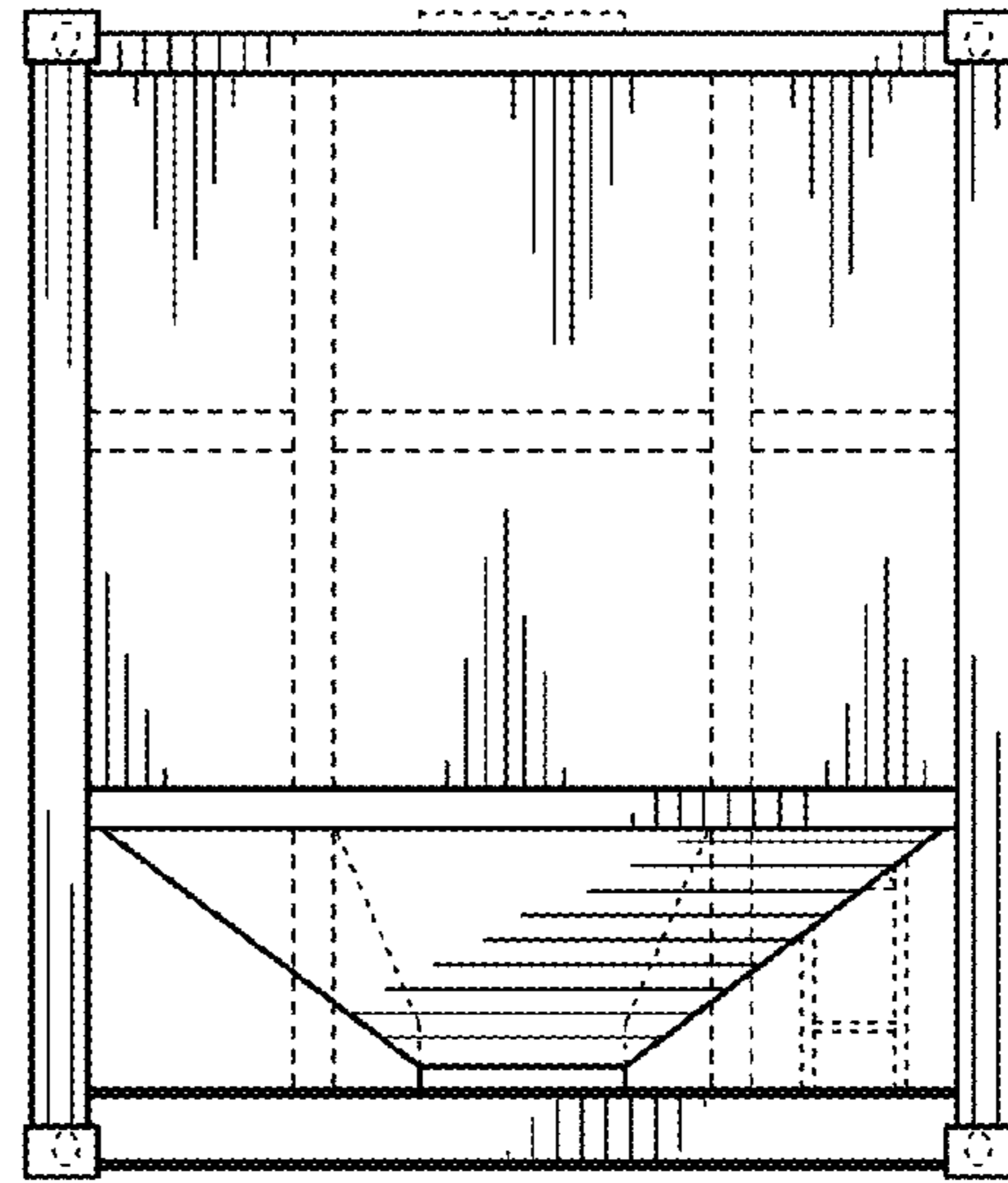


FIG. 5
Amended

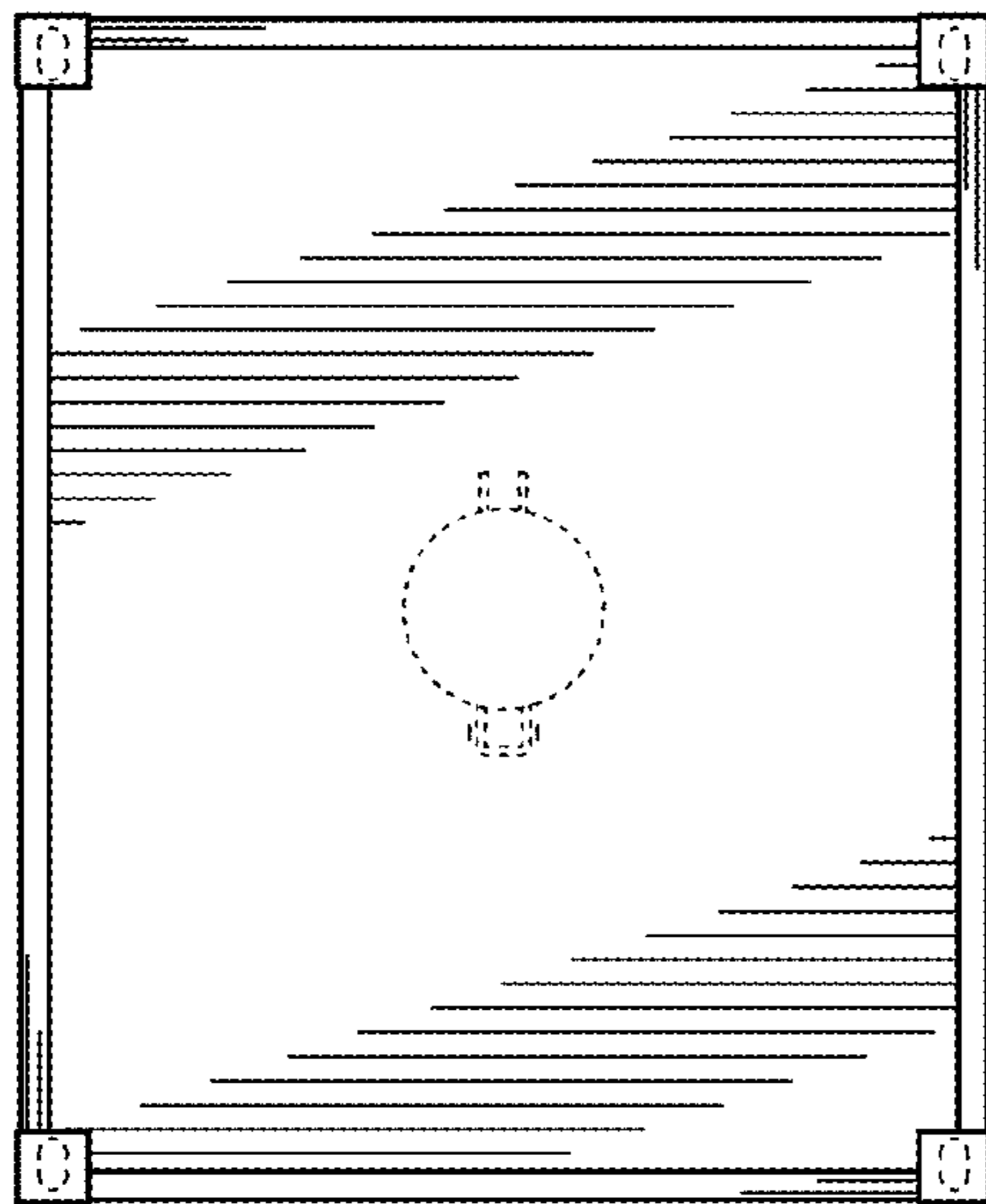


FIG. 6
Amended

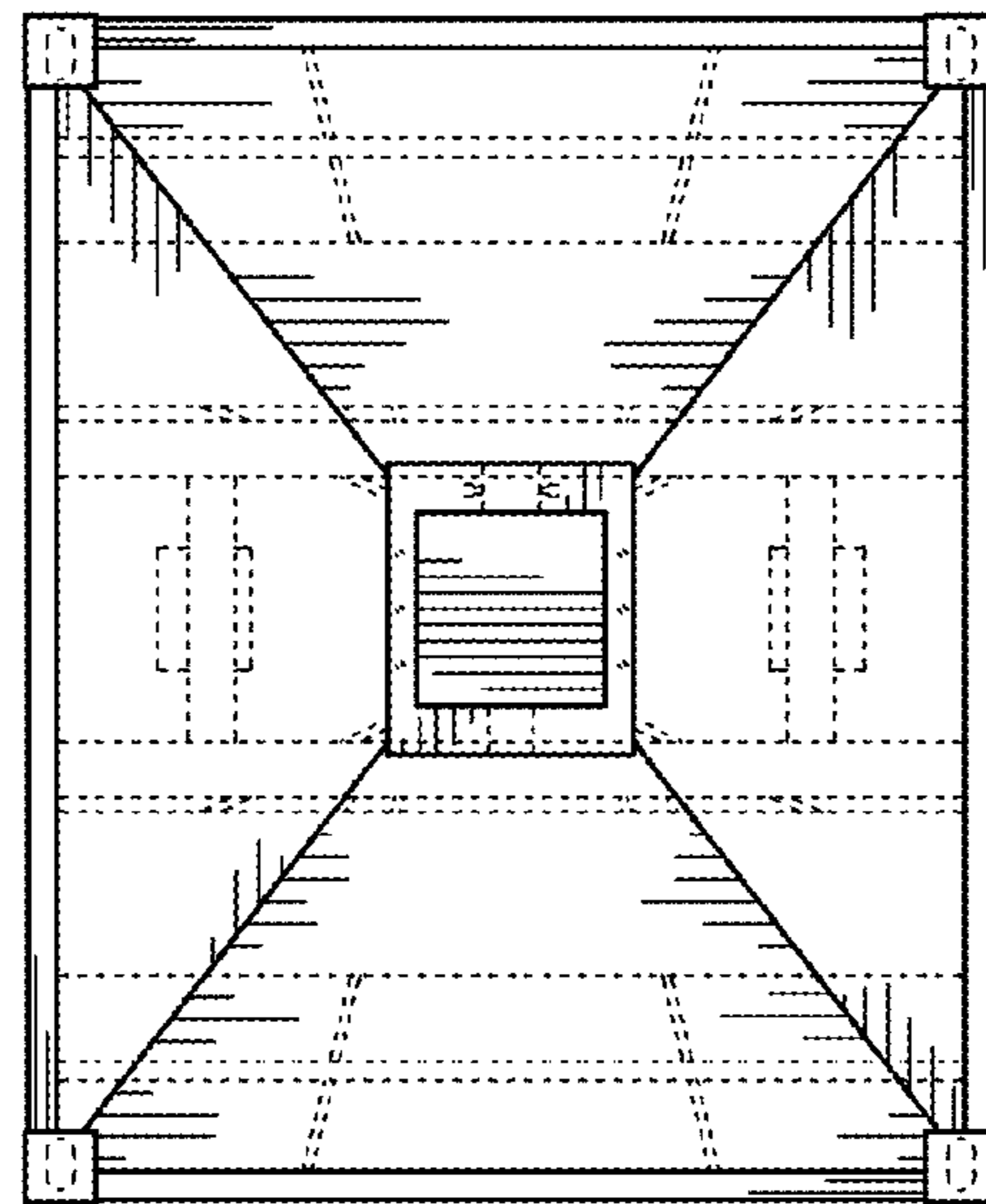


FIG. 7
Amended