



US00RE45913E

(19) **United States**
(12) **Reissued Patent**
Giddens

(10) **Patent Number:** **US RE45,913 E**
(45) **Date of Reissued Patent:** **Mar. 8, 2016**

(54) **RECOIL COVER FOR AN INTERNAL COMBUSTION ENGINE**

(71) Applicant: **LIQUID COMBUSTION TECHNOLOGY, LLC**, Travelers Rest, SC (US)

(72) Inventor: **Keith B. Giddens**, Travelers Rest, SC (US)

(73) Assignee: **Liquid Combustion Technology, LLC**, Travelers Rest, SC (US)

(21) Appl. No.: **29/443,164**

(22) Filed: **Jan. 14, 2013**

Related U.S. Patent Documents

Reissue of:

(64) Patent No.: **Des. 549,241**
Issued: **Aug. 21, 2007**
Appl. No.: **29/211,157**
Filed: **Aug. 11, 2004**

U.S. Applications:

(62) Division of application No. 29/316,068, filed on Aug. 20, 2009, now Pat. No. Re. 43,920, which is an application for the reissue of Pat. No. Des. 549,241.

(51) **LOC (10) Cl.** **15-01**

(52) **U.S. Cl.**
USPC **D15/5**

(58) **Field of Classification Search**
USPC D15/1-5; 123/41.7, 50 A, 50 R, 50 B, 123/198 E, 65 R, 51 R, 657; 74/6; 474/8
See application file for complete search history.

(56) **References Cited**

U.S. PATENT DOCUMENTS

D257,844 S 1/1981 Stevens
D282,071 S 1/1986 Nakamura

(Continued)

OTHER PUBLICATIONS

U.S. Appl. No. 29/199,532 entitled *Portion of an Engine*; In re: Giddens; filed Feb. 16, 2004.

(Continued)

Primary Examiner — Sandra Snapp

(74) Attorney, Agent, or Firm — J. Bennett Mullinax, LLC

(57) **CLAIM**

The ornamental design for a [a portion of] recoil cover for an internal combustion engine, as shown and described.

DESCRIPTION

Term notice: more than one reissue application has been filed for the reissue of U.S. Pat. No. Des. 549,241. The Reissue Application being filed herewith and Reissue application No. 29/316,068 are all divisional reissues of U.S. Pat. No. Des. 549,241.

FIG. 1 is a perspective view of a [portion of a] recoil cover for an internal combustion engine according to [an] a first embodiment of the present design;

FIG. 2 is a front elevation view of [the portion of] a recoil cover for an internal combustion engine shown in FIG. 1;

FIG. 3 is a top plan view of [the portion of] a recoil cover for an internal combustion engine shown in FIG. 1;

FIG. 4 is a bottom plan view of [the portion of] a recoil cover for an internal combustion engine shown in FIG. 1;

FIG. 5 is a right side elevation view of [the portion of] a recoil cover for an internal combustion engine shown in FIG. 1; and,

FIG. 6 is a left side elevation view of [the portion of] a recoil cover for an internal combustion engine shown in FIG. 1.

FIG. 7 is a perspective view of a recoil cover for an internal combustion engine according to a second embodiment of the present design;

FIG. 8 is a front elevation view of a recoil cover for an internal combustion engine shown in FIG. 7;

FIG. 9 is a top plan view of a recoil cover for an internal combustion engine shown in FIG. 7;

FIG. 10 is a bottom plan view of a recoil cover for an internal combustion engine shown in FIG. 7;

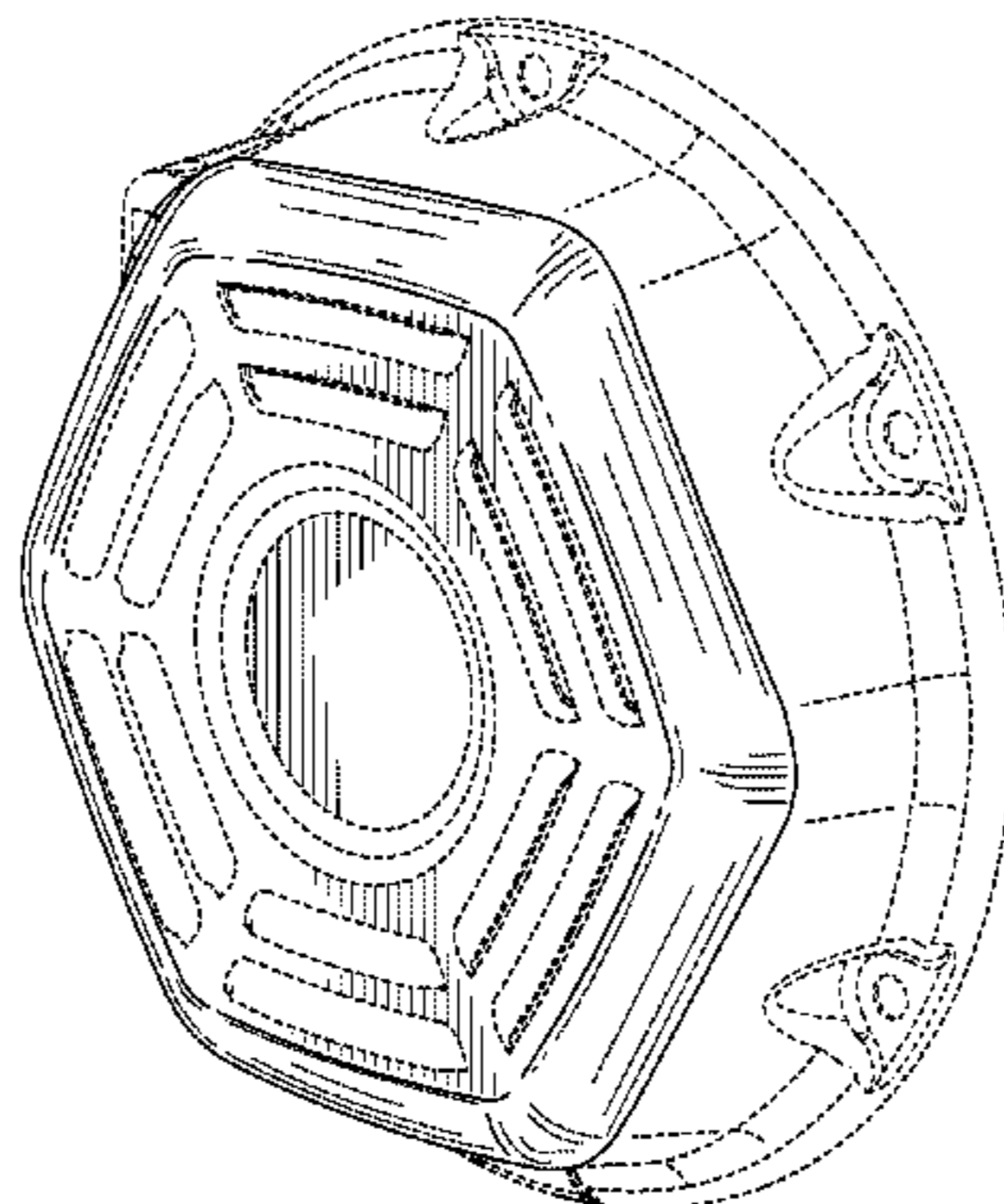
FIG. 11 is a right side elevation view of a recoil cover for an internal combustion engine shown in FIG. 7; and,

FIG. 12 is a left side elevation view of a recoil cover for an internal combustion engine shown in FIG. 7.

The broken lines shown in FIGS. [1-6] 1-12 are for illustrative purposes only and form no part of the claimed design.

1 Claim, 8 Drawing Sheets

Matter enclosed in heavy brackets [] appears in the original patent but forms no part of this reissue; matter printed in italics indicates the additions made by reissue.



(56)

References Cited

U.S. PATENT DOCUMENTS

D294,832 S 3/1988 Itou et al.
 4,813,385 A 3/1989 Yamaguchi et al.
 D305,432 S 1/1990 Hashigaki
 D307,147 S 4/1990 Sasaki et al.
 D307,148 S 4/1990 Mikado
 D308,871 S 6/1990 Harkness et al.
 D308,872 S 6/1990 Harkness et al.
 D309,457 S 7/1990 Eifert et al.
 D309,458 S 7/1990 Johnson et al.
 5,072,627 A 12/1991 Horiye et al.
 D330,897 S 11/1992 Carlson et al.
 D331,929 S 12/1992 Leaf et al.
 5,197,426 A * 3/1993 Frangesch et al. 123/198 E
 D342,076 S 12/1993 Heismann
 D343,843 S 2/1994 Mikado
 D353,381 S 12/1994 Yoshida et al.
 D367,070 S 2/1996 Maeda et al.
 D392,647 S 3/1998 Ueda et al.
 D396,045 S 7/1998 Neeley
 D396,476 S 7/1998 Shimizu
 D397,342 S 8/1998 Shimizu
 D398,010 S 9/1998 Yoshida et al.
 D414,498 S 9/1999 Yoshida
 D417,675 S 12/1999 Yaguchi et al.
 D441,714 S 5/2001 Yuzuriha
 D443,280 S 6/2001 Shimizu
 6,240,889 B1 6/2001 Kuwabara et al.
 D444,478 S 7/2001 Shimizu
 D449,051 S 10/2001 Miyashita
 6,331,740 B1 12/2001 Morohoshi et al.
 6,362,533 B1 3/2002 Morohoshi et al.
 D457,891 S 5/2002 Matre
 D462,363 S * 9/2002 Burmeister et al. D15/4
 6,489,690 B1 12/2002 Hatsugai et al.

D468,751 S * 1/2003 Neeley et al. D15/1
 6,520,141 B2 2/2003 Ryczek et al.
 6,525,430 B1 2/2003 Asai et al.
 D471,207 S * 3/2003 Kern et al. D15/5
 D474,783 S 5/2003 Momoi
 D475,065 S 5/2003 Shimizu et al.
 D478,042 S 8/2003 Yaguchi et al.
 D481,042 S 10/2003 Yuzuriha et al.
 D481,043 S 10/2003 Yuzuriha et al.
 D488,167 S 4/2004 Momoi
 D491,193 S 6/2004 Davis
 D503,722 S * 4/2005 Stenz et al. D15/1
 D503,723 S 4/2005 Giddens
 D515,589 S * 2/2006 Lin et al. D15/1
 D521,024 S 5/2006 Giddens
 D532,794 S 11/2006 Glass
 D539,818 S * 4/2007 Giddens D15/5
 D549,241 S * 8/2007 Giddens D15/5
 D549,733 S * 8/2007 Strandell et al. D15/5
 D619,620 S * 7/2010 Mayer et al. D15/5
 D668,264 S * 10/2012 Tiefenthaler D15/5
 RE43,920 E * 1/2013 Giddens D15/5
 D673,980 S * 1/2013 Tiefenthaler D15/5
 D687,070 S * 7/2013 Liao D15/5
 2001/0039845 A1 * 11/2001 Tachibana 74/6
 2003/0154934 A1 8/2003 Nakamizo et al.
 2003/0182823 A1 10/2003 Sanders et al.
 2004/0224806 A1 * 11/2004 Chonan 474/93

OTHER PUBLICATIONS

U.S. Appl. No. 29/199,533 entitled *Portion of an Engine*; In re: Giddens; filed Feb. 16, 2004.
 U.S. Appl. No. 29/211,389; entitled *Portion of an Internal Combustion Engine*; In re: Glass; filed Feb. 16, 2004.

* cited by examiner

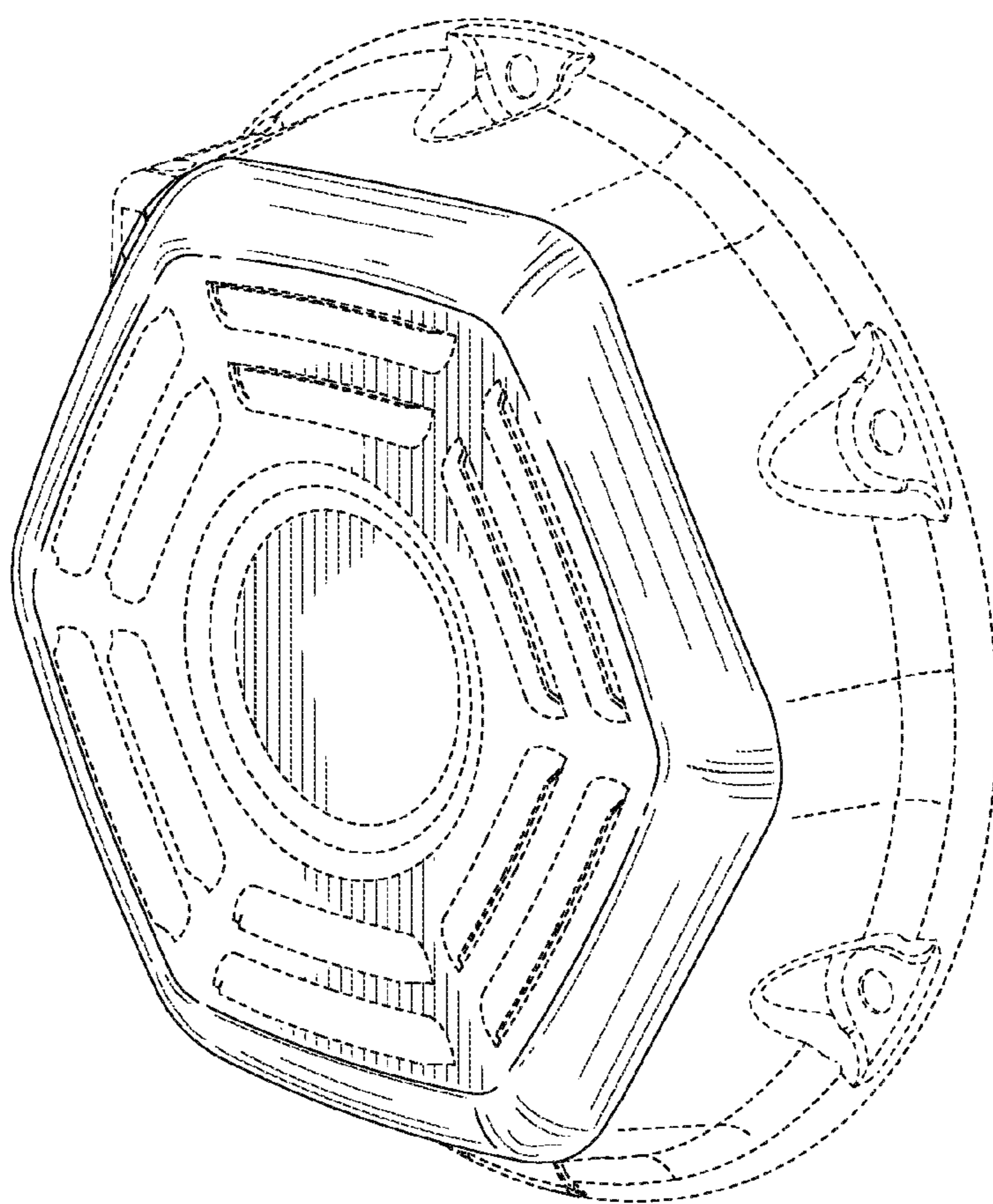


FIG. 1

NEW

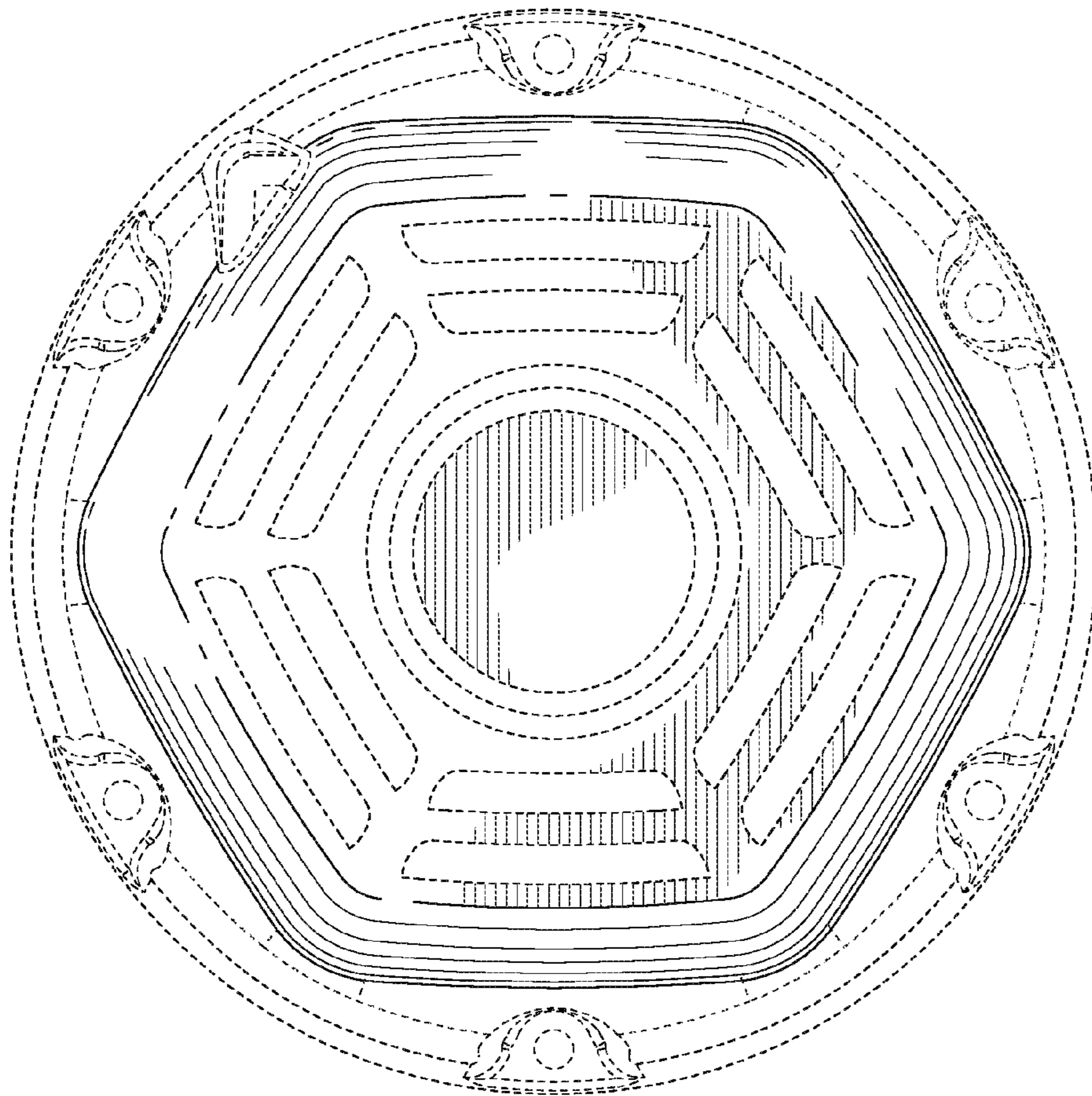


FIG. 2

NEW

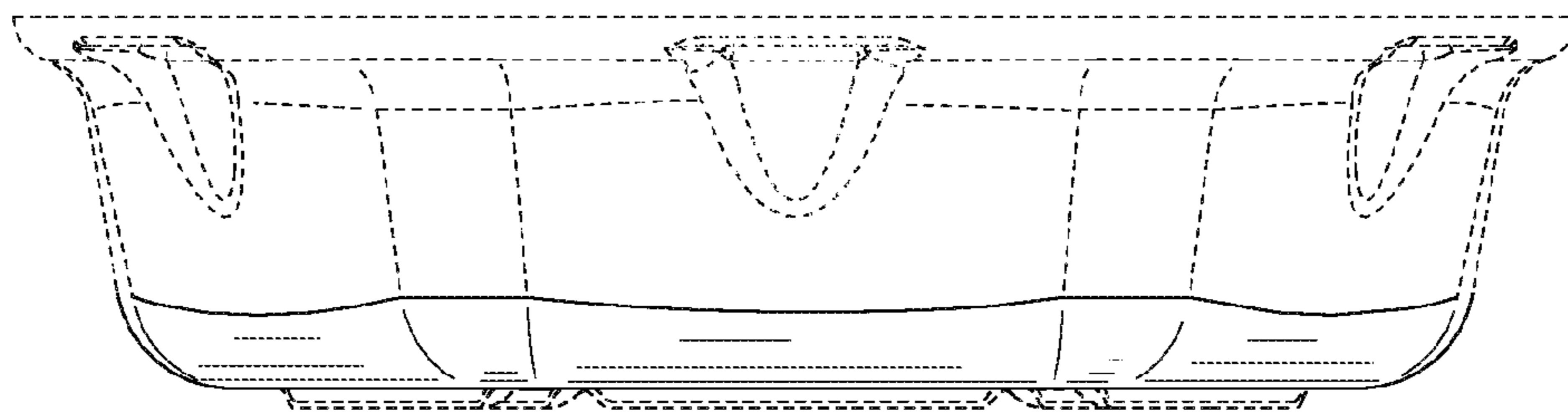


FIG. 3

NEW

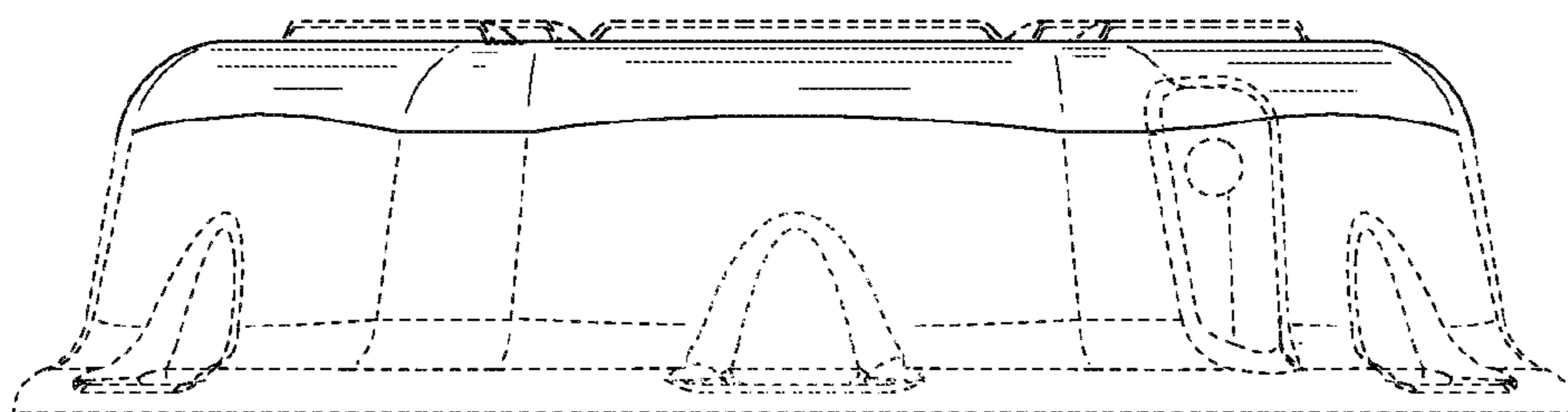


FIG. 4

NEW

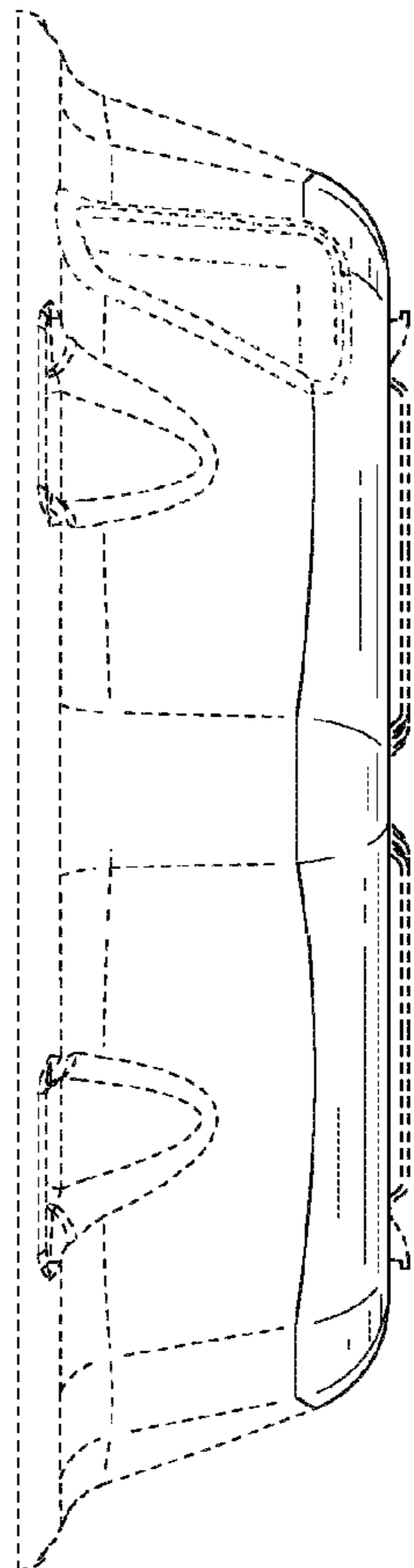
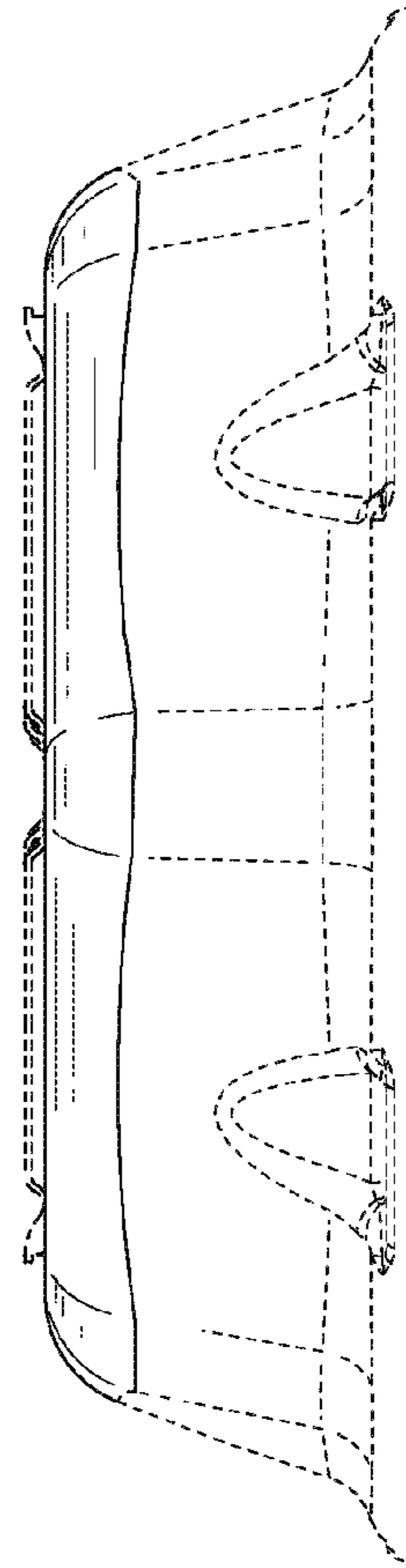


FIG. 6

NEW

FIG. 5

NEW



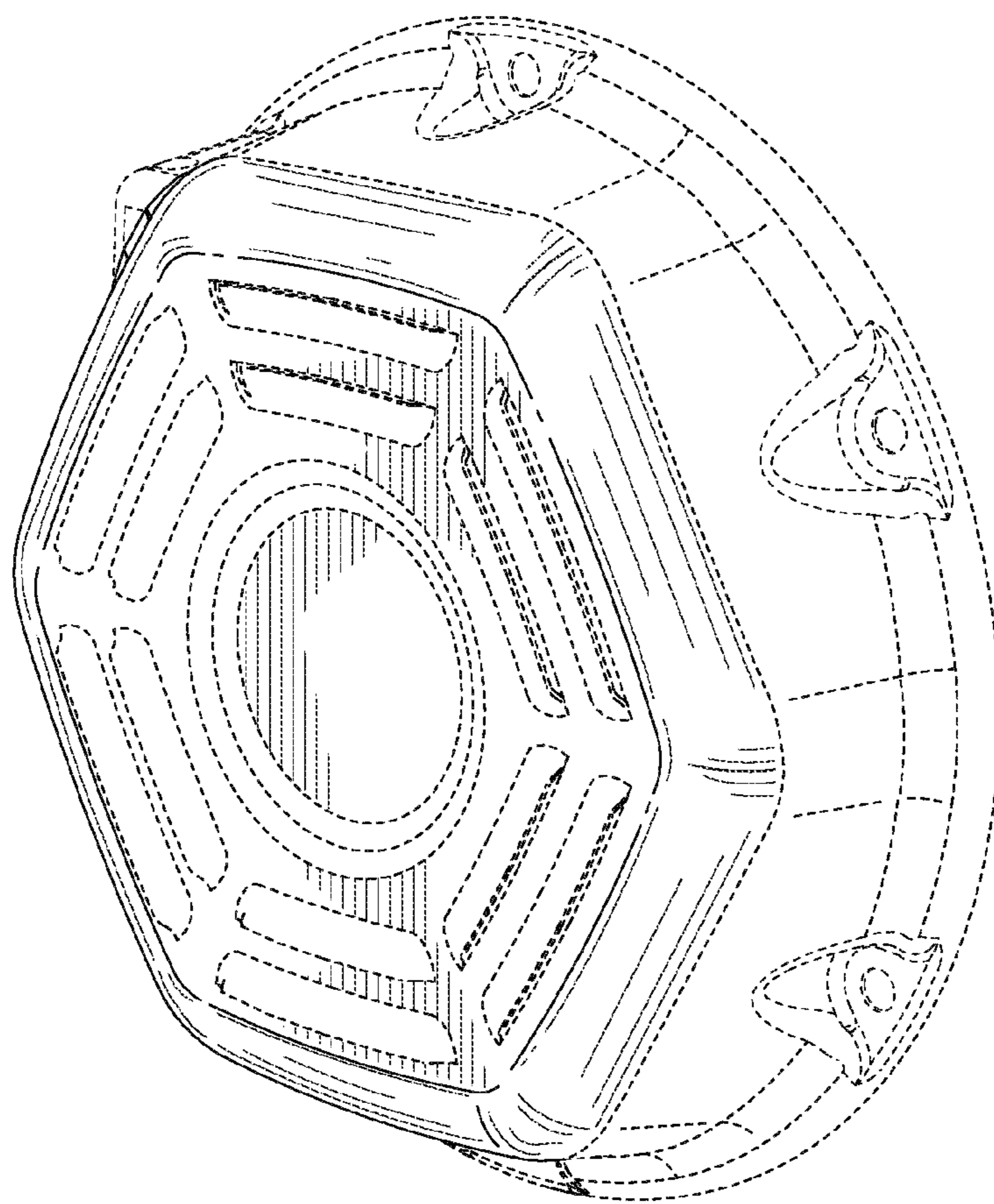


FIG. 7

NEW

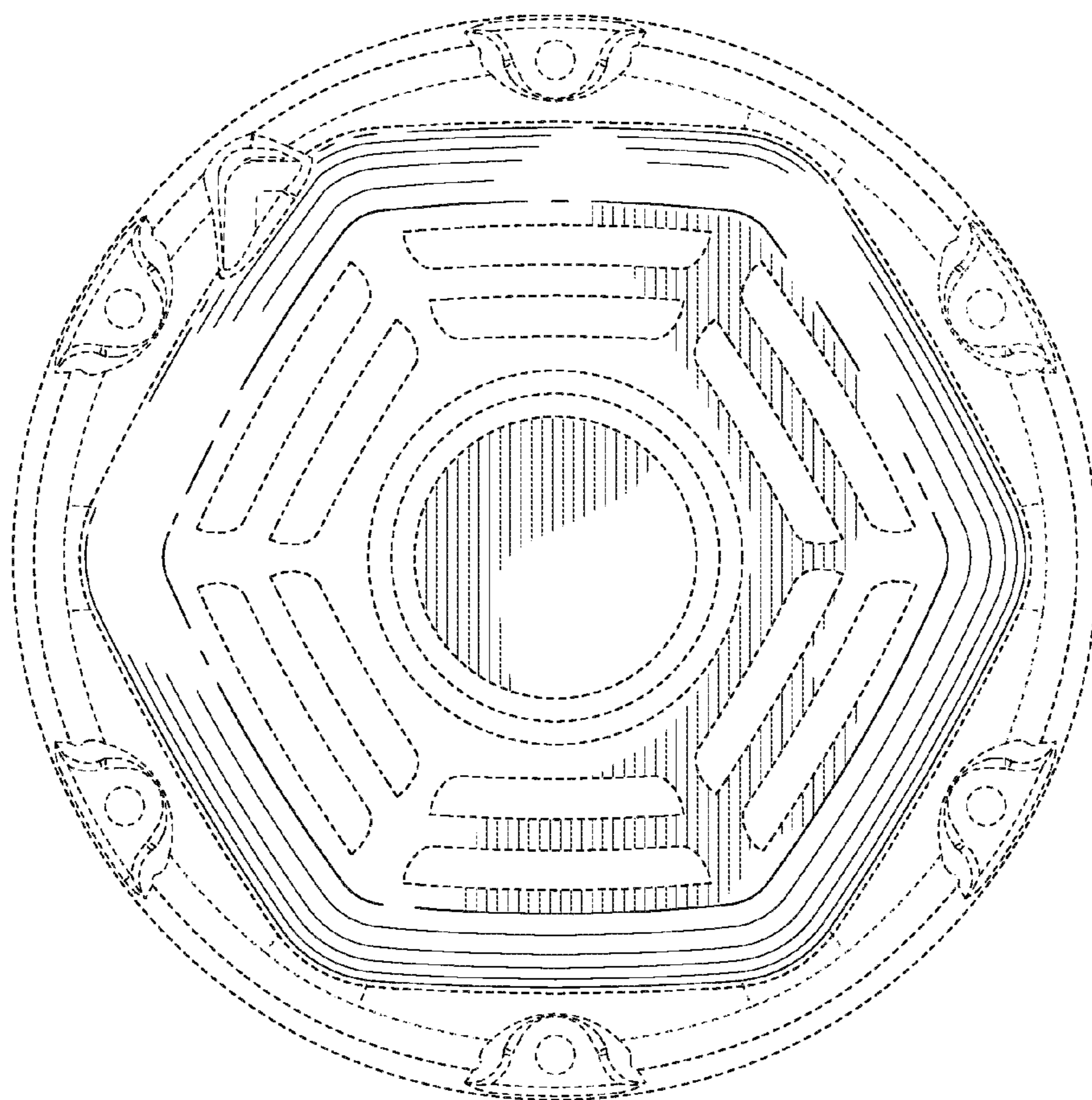


FIG. 8

NEW

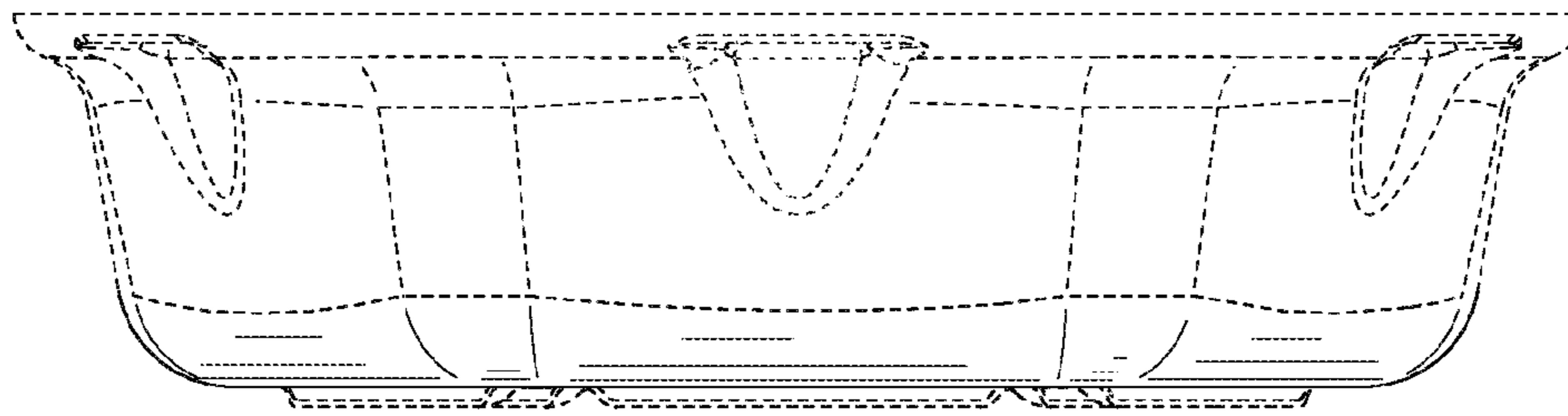


FIG. 9

NEW

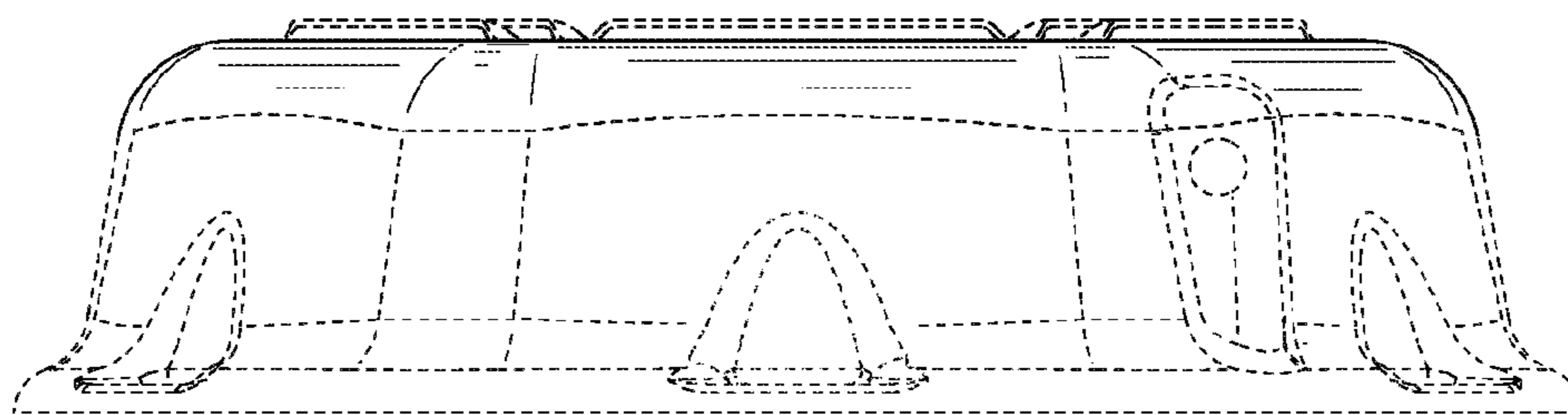


FIG. 10

NEW

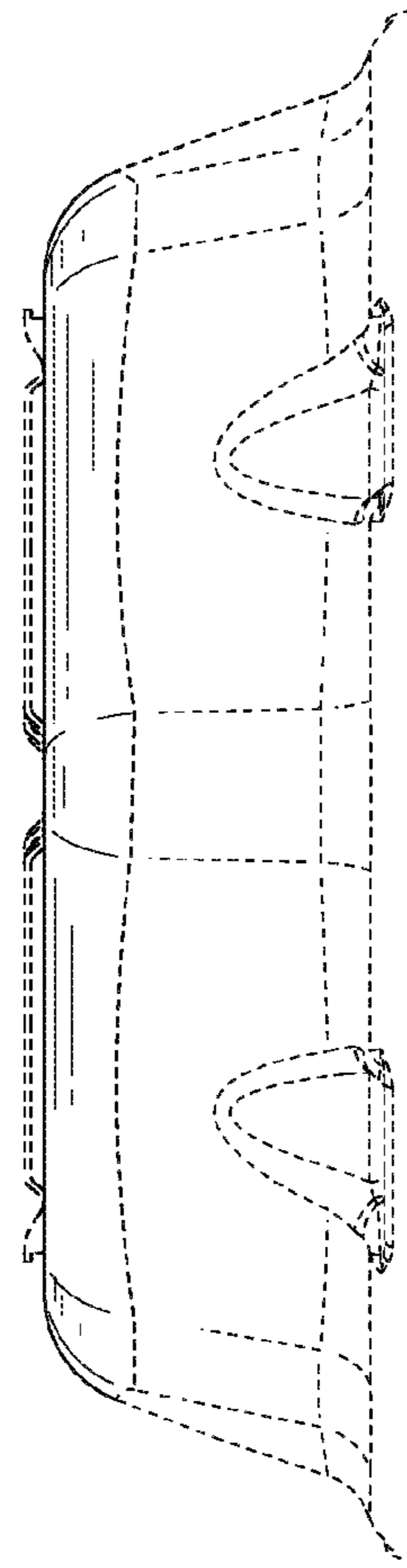


FIG. 11

NEW

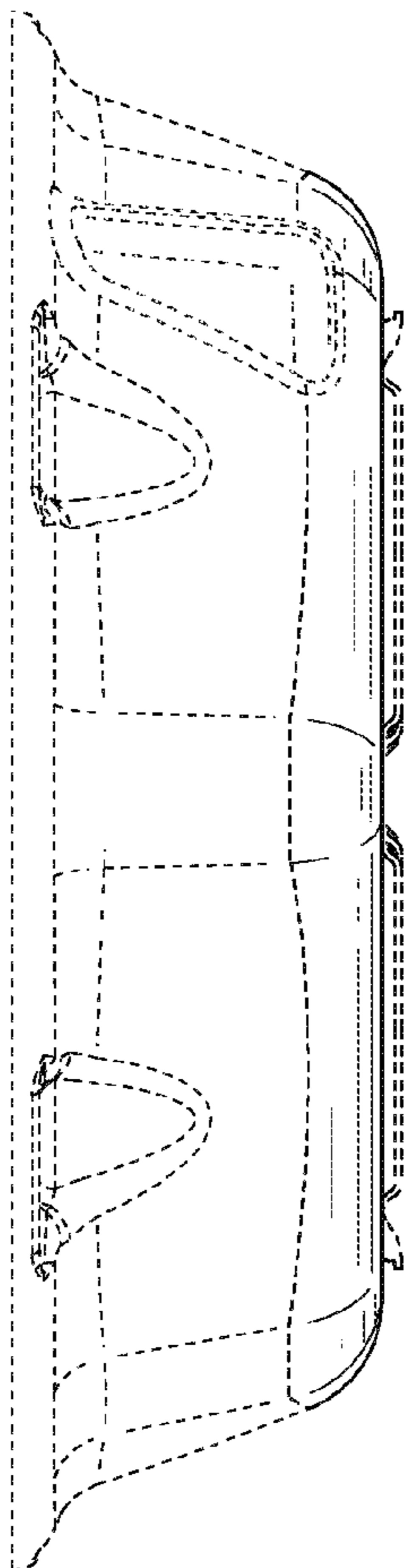


FIG. 12

NEW