

US00RE45893E

(19) **United States**
(12) **Reissued Patent**
Bryant

(10) **Patent Number:** **US RE45,893 E**
(45) **Date of Reissued Patent:** **Feb. 23, 2016**

(54) **WALL PACK LIGHT FIXTURE**
(71) Applicant: **Cooper Technologies Company,**
Houston, TX (US)
(72) Inventor: **Christopher Michael Bryant,** Social
Circle, GA (US)
(73) Assignee: **Cooper Technologies Company,**
Houston, TX (US)

D228,667 S 10/1973 Anderson, Jr.
D248,184 S 6/1978 Roberts
D285,258 S 8/1986 Hamasaki
D287,646 S 1/1987 Ayukawa
D289,087 S 3/1987 Kobata
D380,853 S 7/1997 Johnson
D415,305 S 10/1999 Putman

(Continued)

(21) Appl. No.: **29/504,562**
(22) Filed: **Oct. 7, 2014**

Related U.S. Patent Documents

Reissue of:
(64) Patent No.: **Des. 668,810**
Issued: **Oct. 9, 2012**
Appl. No.: **29/406,180**
Filed: **Nov. 10, 2011**

U.S. Applications:
(63) Continuation of application No. 29/389,912, filed on
Apr. 18, 2011, now Pat. No. Des. 650,112.
(51) **LOC (10) Cl.** **26-03**
(52) **U.S. Cl.**
USPC **D26/85**
(58) **Field of Classification Search**
USPC D26/72, 85, 87, 92; 362/147, 404-408,
362/432
CPC F21S 8/003; F21S 8/033; F21S 8/024;
F21V 1/18
See application file for complete search history.

(56) **References Cited**

U.S. PATENT DOCUMENTS

2,732,484 A 1/1956 Lipscomb
3,047,716 A 7/1962 Hoxie et al.
D203,060 S 11/1965 Schaefer
3,263,071 A 7/1966 Fabbri

OTHER PUBLICATIONS

Lighting Science; Wallpak ; product specification sheet; Nov. 2010.
(Continued)

Primary Examiner — Phillip S Hyder
(74) *Attorney, Agent, or Firm* — King & Spalding LLP

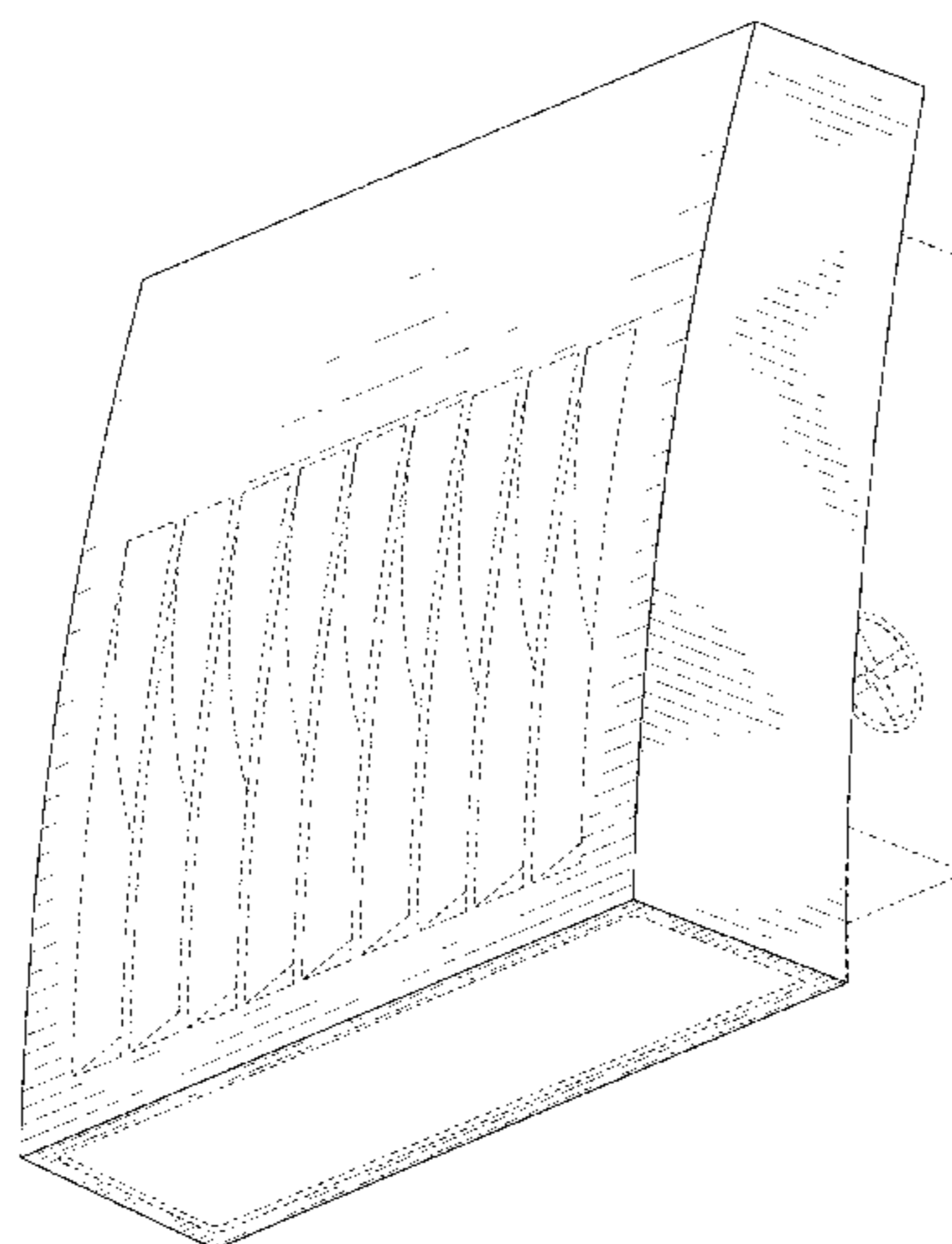
(57) **CLAIM**
The ornamental design for a wall pack light fixture, as shown
and described.

DESCRIPTION

FIG. 1 is a perspective view of a wall pack light fixture,
showing my new design;
FIG. 2 is another perspective view thereof;
FIG. 3 is a front view thereof;
FIG. 4 is a left side view thereof;
FIG. 5 is a right side view thereof;
FIG. 6 is a top plan view thereof; and,
FIG. 7 is a bottom plan view thereof.
The broken lines [shown represent unclaimed subject matter
and form no] *depict portions of the wall pack light fixture in
which the design is embodied that are not considered part of
the claimed design.*

1 Claim, 7 Drawing Sheets

**Matter enclosed in heavy brackets [] appears in the
original patent but forms no part of this reissue; matter
printed in italics indicates the additions made by reissue.**



(56)

References Cited

U.S. PATENT DOCUMENTS

D421,816 S 3/2000 Gongora et al.
 D456,932 S 5/2002 Crosby
 D465,050 S 10/2002 Crelin
 D499,834 S 12/2004 Yu et al.
 D527,134 S 8/2006 Bagen
 D544,991 S 6/2007 Guercio
 D553,789 S 10/2007 Akinrele et al.
 D562,491 S * 2/2008 DiCola D26/85
 D574,995 S 8/2008 Boyer
 D577,146 S 9/2008 Haugaard et al.
 D579,141 S 10/2008 Guercio
 D579,144 S 10/2008 Wnek et al.
 D590,088 S * 4/2009 Dworschak D26/85
 D590,983 S * 4/2009 Sabernig D26/85
 D595,447 S * 6/2009 Purcell D26/85
 D608,040 S 1/2010 Guercio
 D609,387 S * 2/2010 Compton D26/85
 D610,296 S * 2/2010 Boissevain et al. D26/85
 D612,975 S * 3/2010 Guercio et al. D26/85
 D617,491 S * 6/2010 Dordoni D26/85
 D626,271 S 10/2010 Verelst
 D634,873 S 3/2011 Guercio
 D634,878 S 3/2011 Guercio et al.
 D643,147 S 8/2011 Guercio et al.
 D643,571 S 8/2011 Chen
 D644,370 S * 8/2011 Lickiss D26/85
 D647,662 S * 10/2011 Verelst et al. D26/85

D650,112 S * 12/2011 Bryant D26/85
 D653,377 S 1/2012 Guercio
 D658,803 S 5/2012 Maxik et al.
 D659,895 S 5/2012 Maxik et al.
 D678,596 S 3/2013 Bryant
 D691,320 S 10/2013 Guercio et al.
 D695,445 S 12/2013 Panchisin et al.
 D698,986 S 2/2014 Reynolds
 D699,386 S 2/2014 Park et al.
 D699,887 S 2/2014 Chen
 D707,385 S 6/2014 Wardenburg et al.
 D714,992 S 10/2014 Bryant

OTHER PUBLICATIONS

RAB Lighting. WPLED52 Series Installation Instructions. p. 1-2. www.rabweb.com; 2011; in Sep. 11, 2015 Office Action for U.S. Appl. No. 14/749,263.
 RAB Lighting, The New LPACK52, Specification Sheet, in Sep. 11, 2015 Office Action for U.S. Appl. No. 14/749,263.
 Lighting Science; Wallpak; product specification sheet; Nov. 2010.
 Press Release, RAB Lighting, Oct. 12, 2010, RAB LPACK13 Makes the Switch to LED Even Easier.
 Press Release, RAB Lighting, Feb. 9, 2010, RAB Lighting launches 20W LED Wallpack for outdoor use.
 Press Release, RAB Lighting, Dec. 23, 2009, RAB Lighting Introduces new LED Wallpack.

* cited by examiner

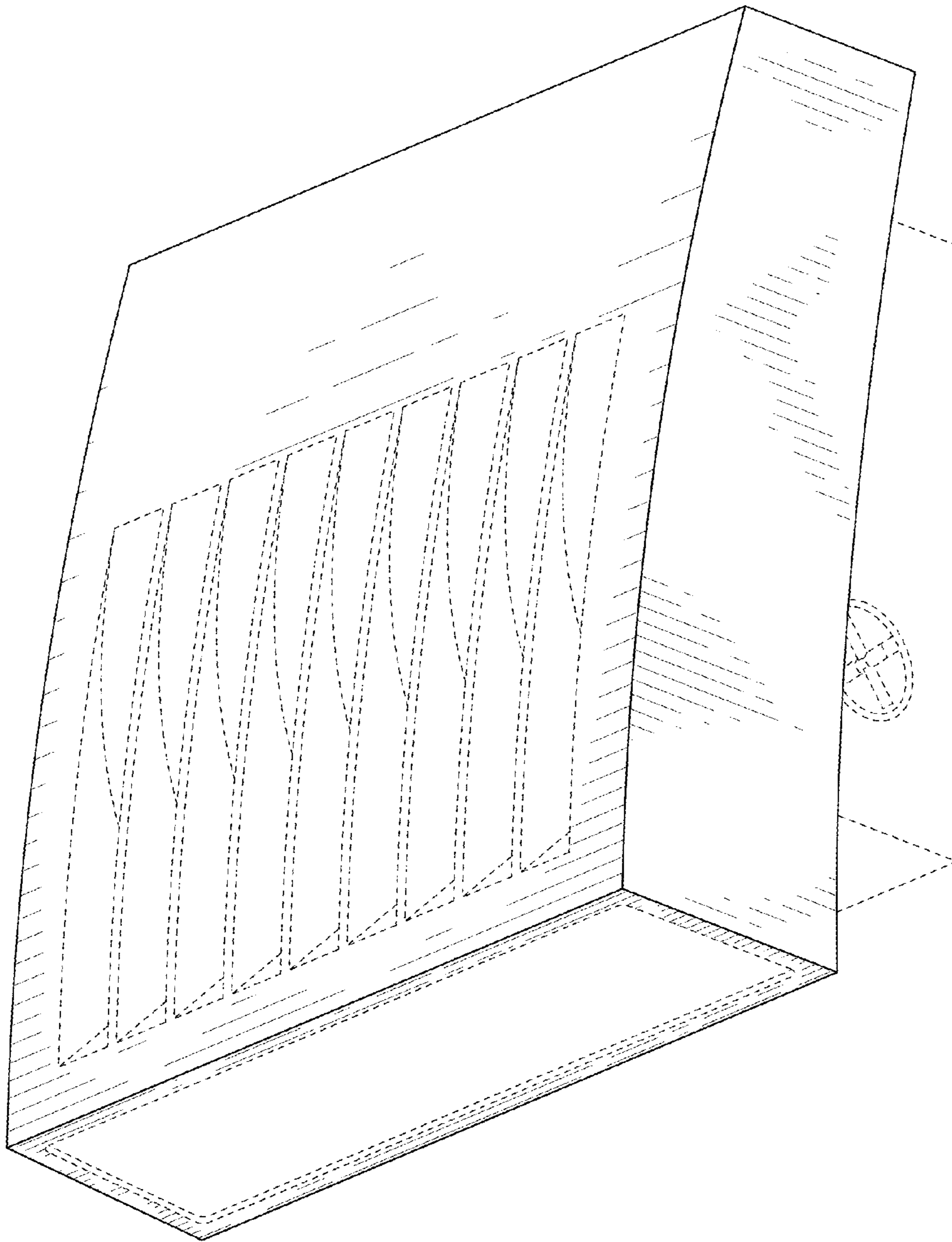


FIG. 1

AMENDED

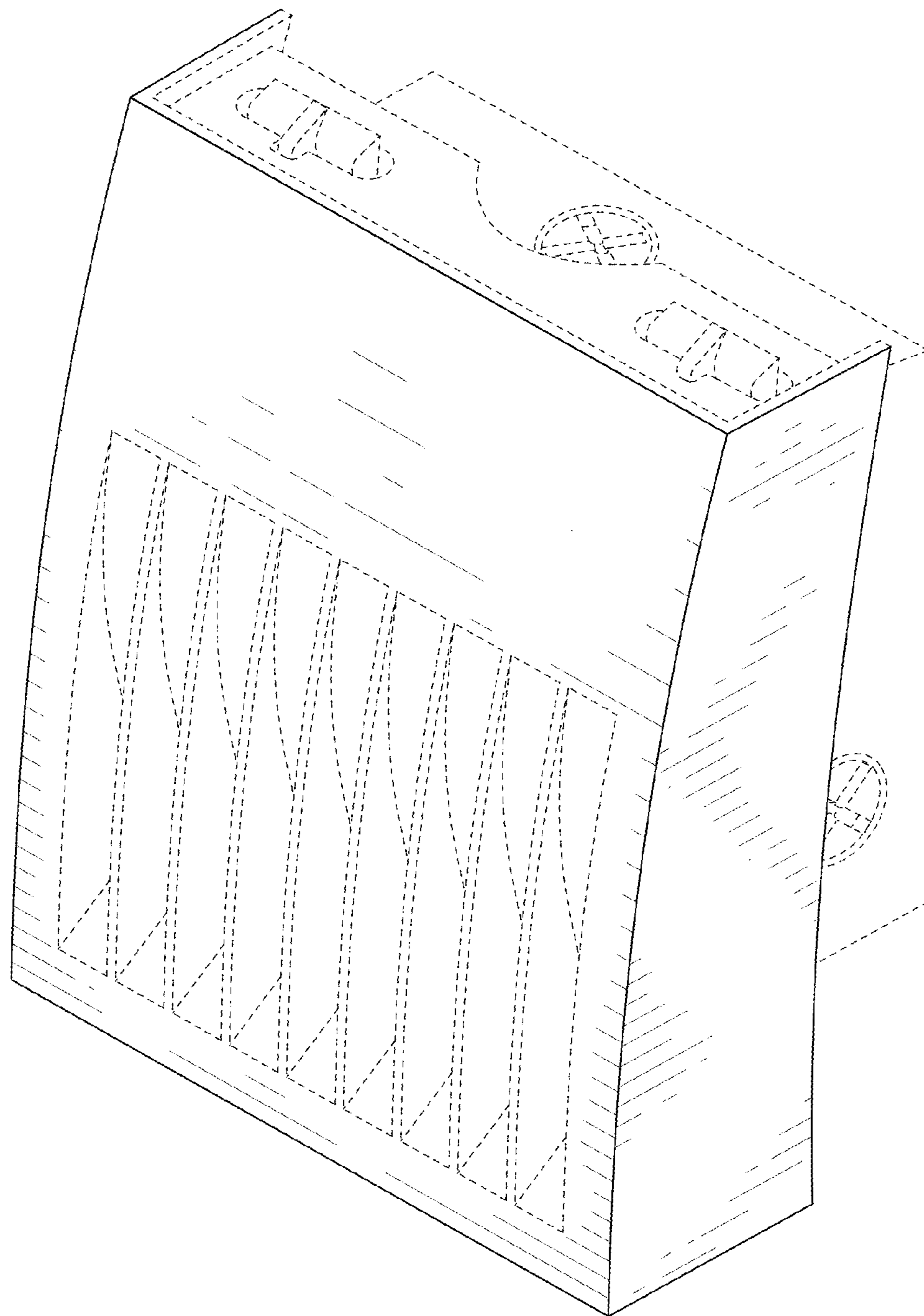


FIG. 2

AMENDED

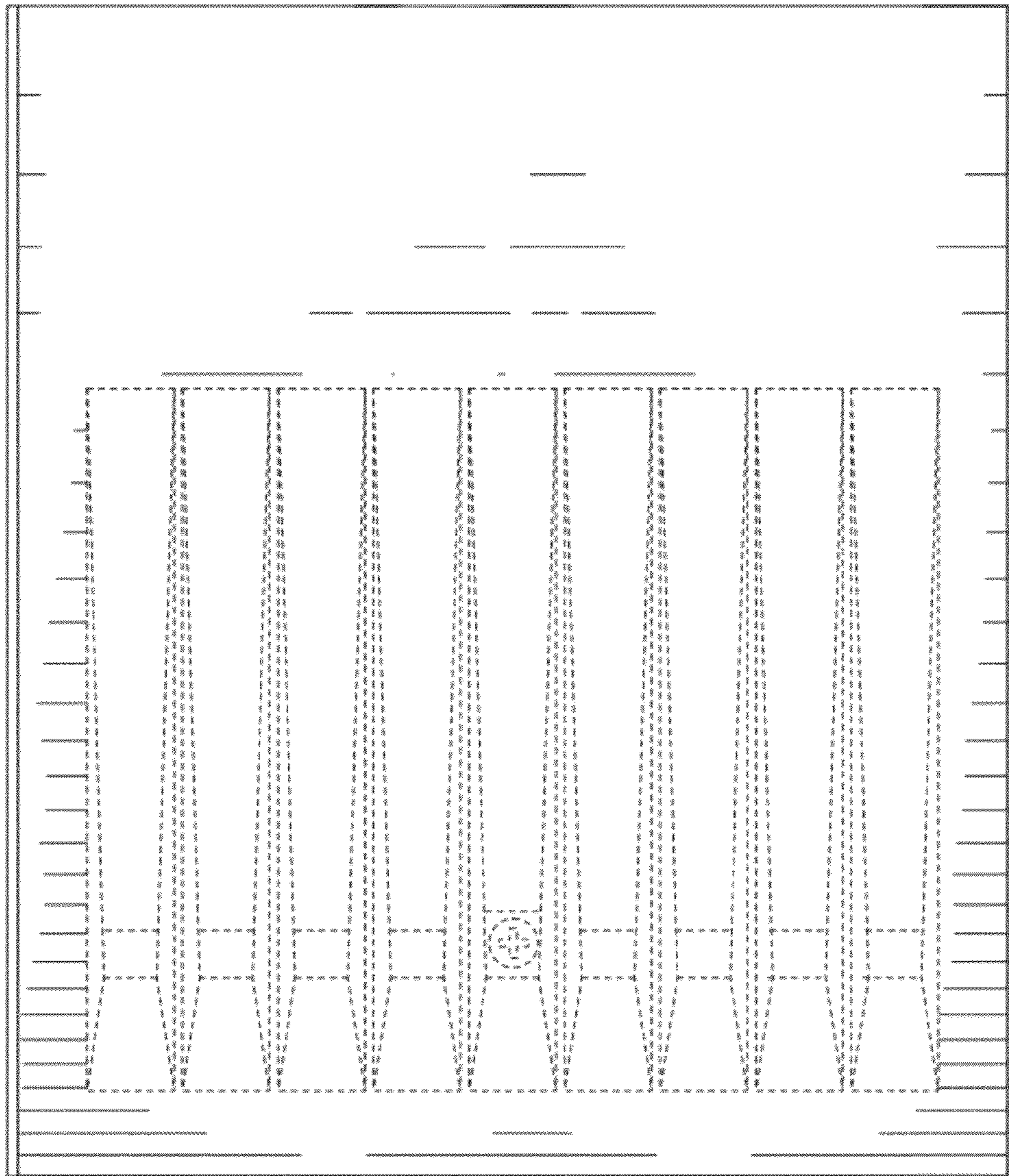


FIG. 3

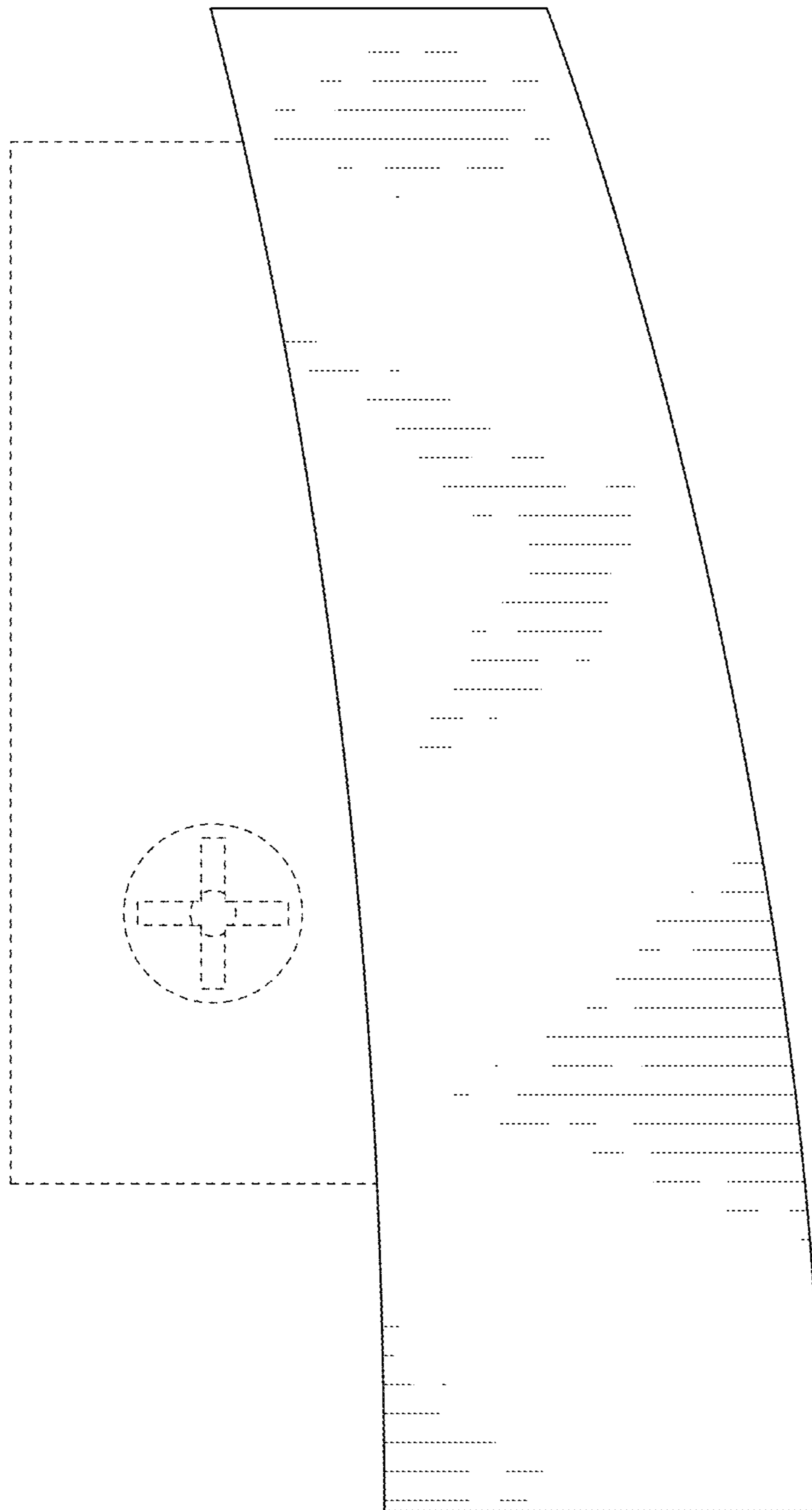


FIG. 4

AMENDED

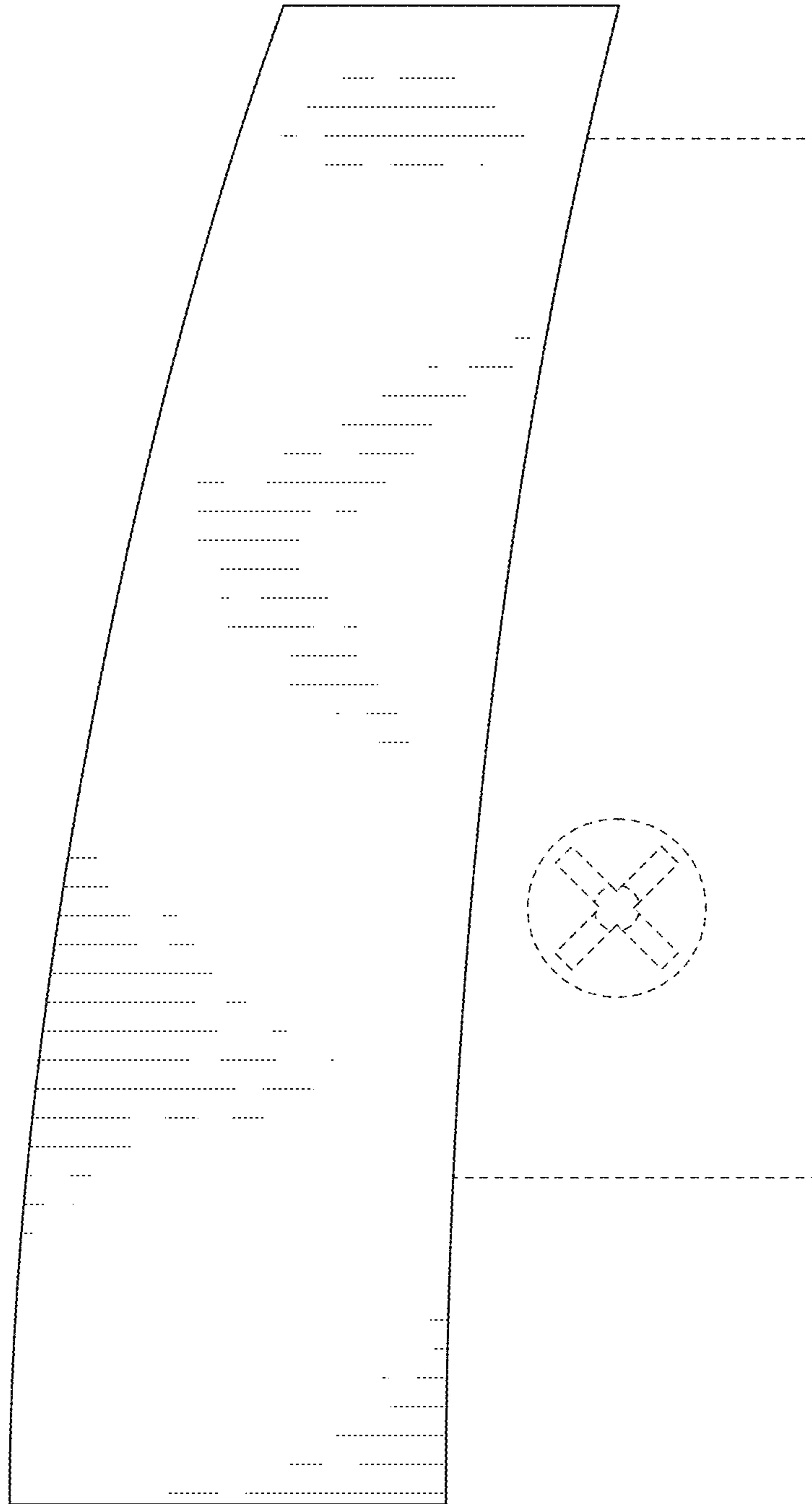


FIG. 5

AMENDED

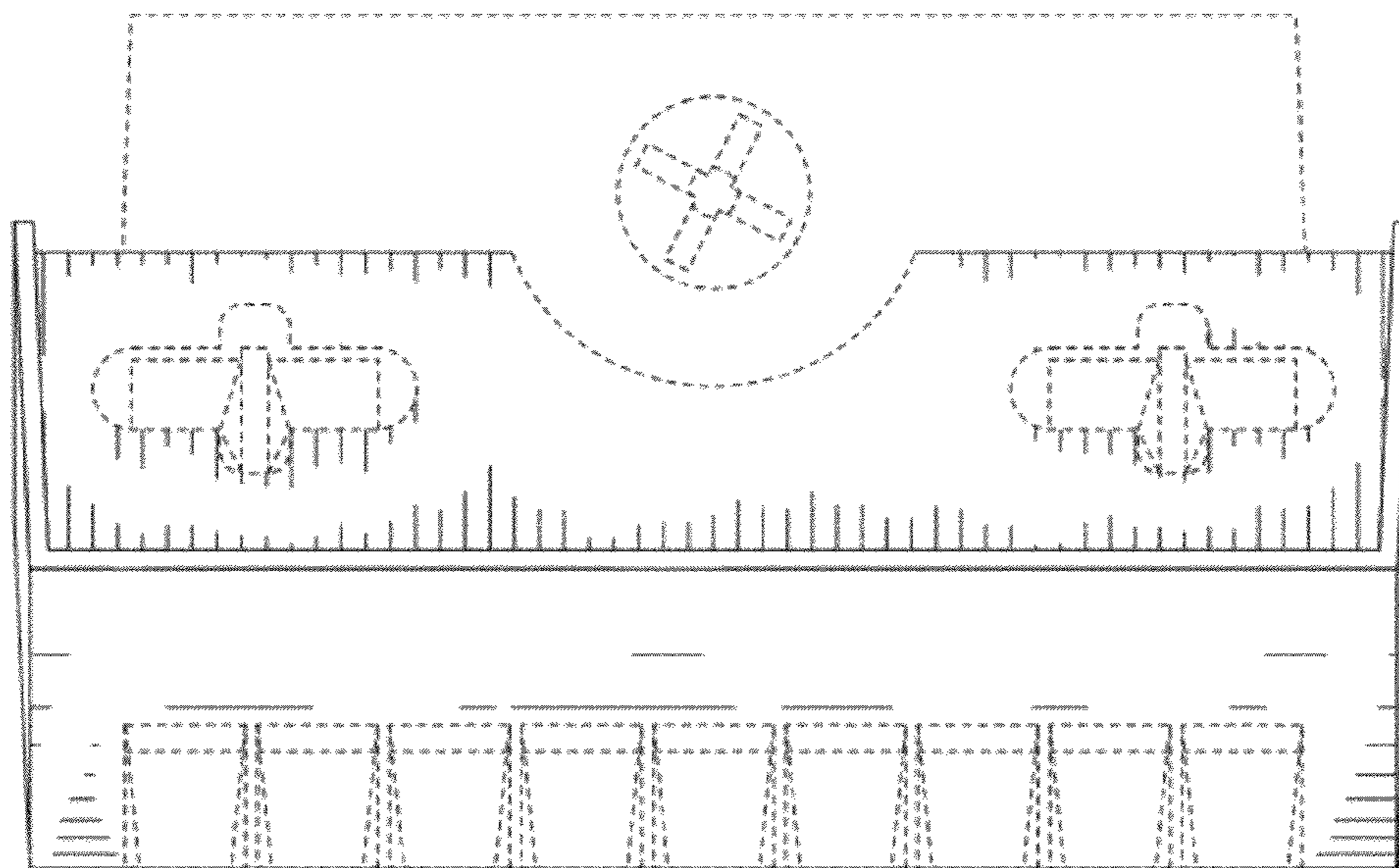


FIG. 6

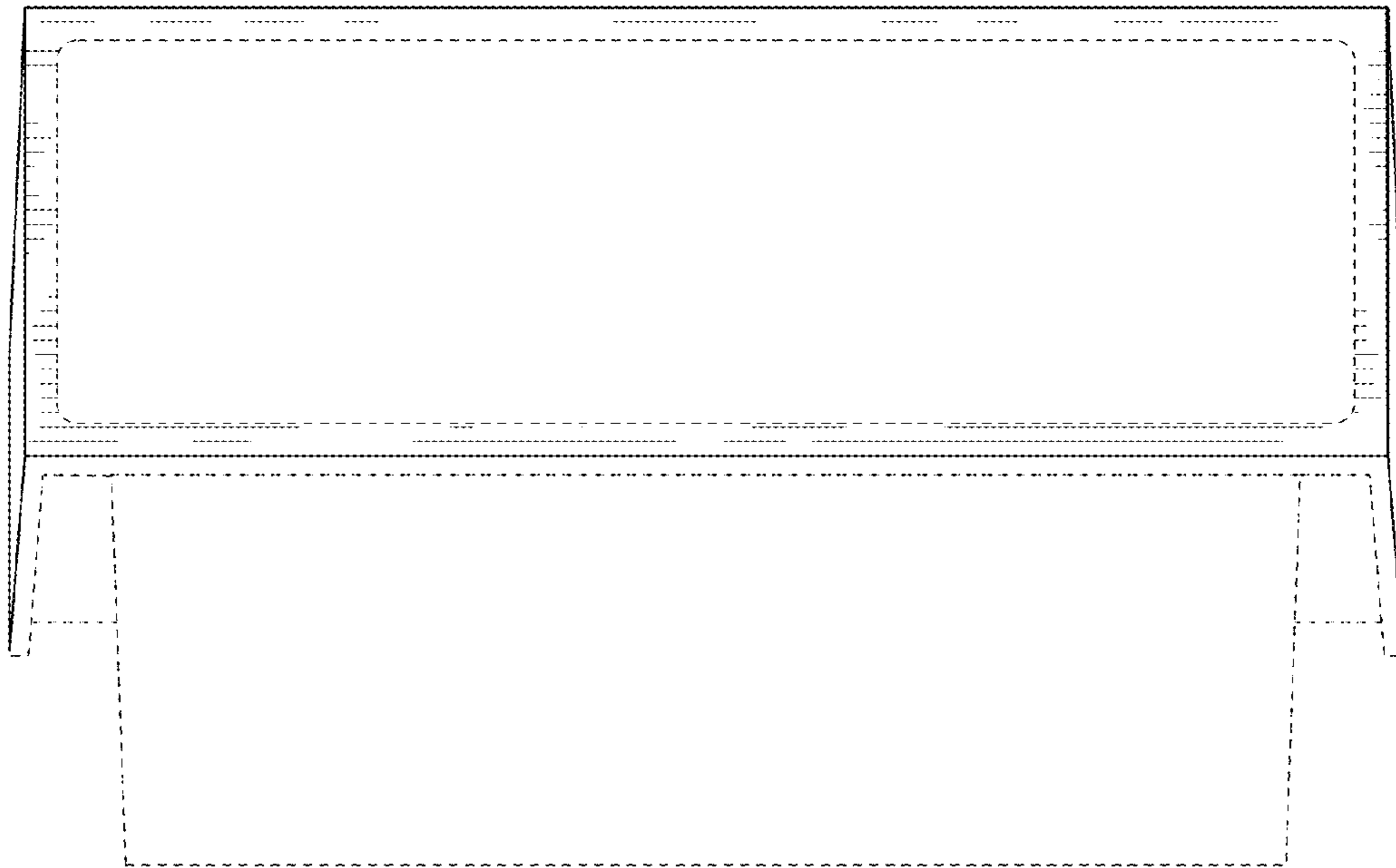


FIG. 7

AMENDED