



US00RE45892E

(19) **United States**
(12) **Reissued Patent**
Herren

(10) **Patent Number:** **US RE45,892 E**
(45) **Date of Reissued Patent:** **Feb. 23, 2016**

(54) **CONTAINER PULL HANDLE**

FOREIGN PATENT DOCUMENTS

(71) Applicant: **Bruno Herren**, Beckenried (CH)

DE 296 12 865 * 11/1996
DE 296 12 865 U1 11/1996

(72) Inventor: **Bruno Herren**, Beckenried (CH)

(Continued)

(73) Assignee: **SWIZZPROZZ AG** (CH)

Primary Examiner — Phillip S Hyder

(21) Appl. No.: **29/521,686**

(74) *Attorney, Agent, or Firm* — Ostrolenk Faber LLP

(22) Filed: **Mar. 25, 2015**

(57) **CLAIM**

Related U.S. Patent Documents

The ornamental design for a container pull handle, as shown and described.

Reissue of:

(64) Patent No.: **Des. 657,188**
Issued: **Apr. 10, 2012**
Appl. No.: **29/360,589**
Filed: **Apr. 28, 2010**

DESCRIPTION

(30) **Foreign Application Priority Data**

Oct. 29, 2009 (CH) 136558

(51) **LOC (10) Cl.** **07-02**

(52) **U.S. Cl.**
USPC **D7/394**

(58) **Field of Classification Search**
USPC D7/354–361, 391, 393–395, 396.2, 514,
D7/608, 629, 664; D8/107, 300, 301, 306,
D8/315, 316, 317, 319, 320, 321; D3/318;
D23/252; D9/443; D21/662, 684, 694
CPC A47J 45/06; A47J 45/065; A47J 45/07;
A47J 45/075

See application file for complete search history.

FIG. 1 is a perspective view of the container pull handle of my design;
FIG. 2 is a front elevation view of the container pull handle;
FIG. 3 is a rear elevation view of the container pull handle;
FIG. 4 is a left side elevation view of the container pull handle, the right side elevation view being a mirror image thereof;
FIG. 5 is a top plan view of the container pull handle;
FIG. 6 is a bottom plan view of the container pull handle, in which the environmental material rendered in broken lines of the other views has been omitted for clarity; and,
FIG. 7 is a perspective view of the container pull handle from the same vantage point as FIG. 1, in which the handle has been rotated about an exemplary connection point with the container to which it may be attached, in order to show an underside thereof.

(56) **References Cited**

U.S. PATENT DOCUMENTS

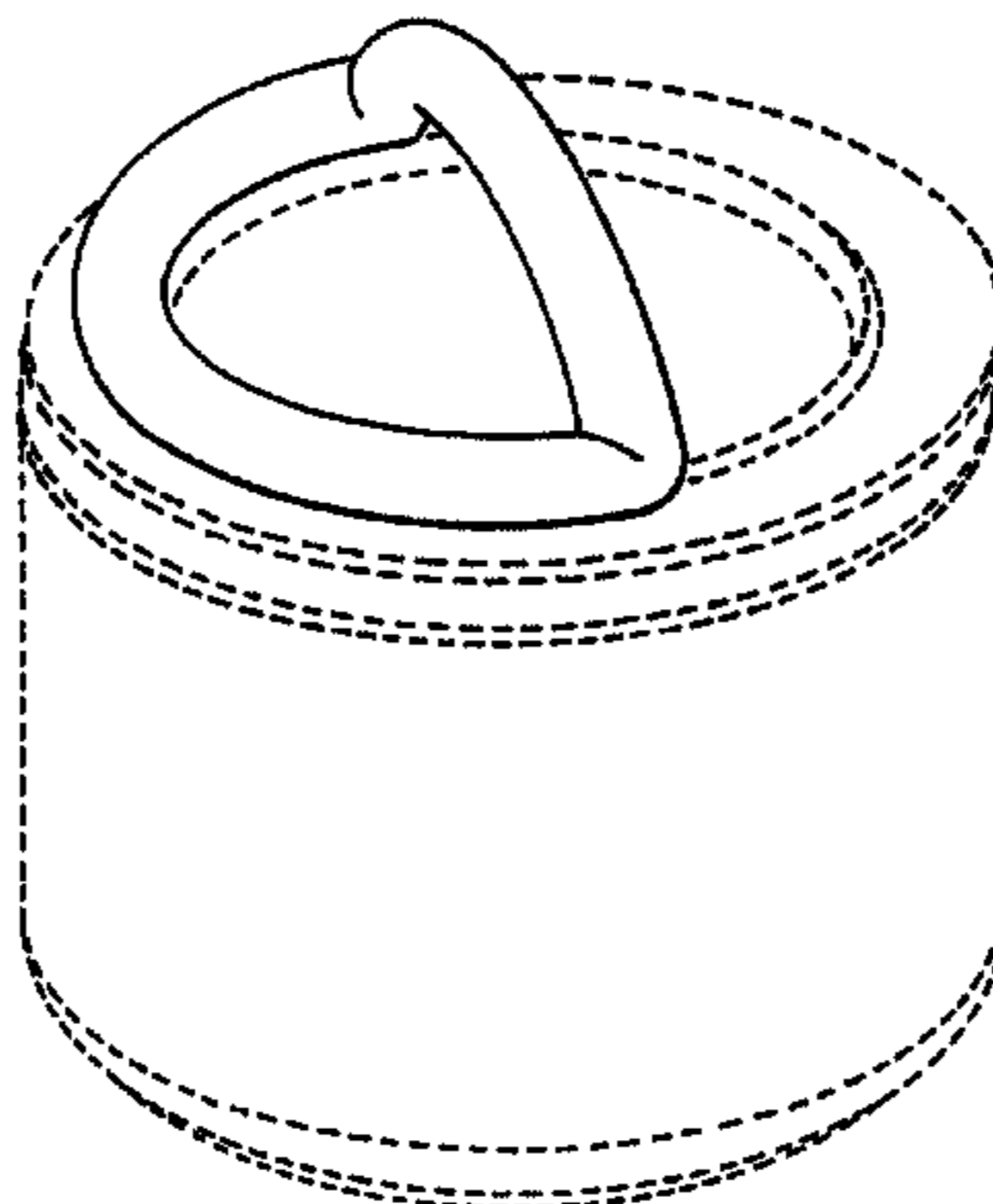
3,578,226 A * 5/1971 Good A47G 25/1442
294/137
D324,414 S * 3/1992 Bonnell D23/252
D324,563 S * 3/1992 Bonnell D23/252
D332,379 S * 1/1993 Murphy D7/391
5,244,113 A * 9/1993 Stymiest B65D 51/242
215/228

The broken lines in the figures represent an exemplary container to which the container pull handle may be attached and/or which may be carried by use of the container pull handle, but forms no part of the claimed design.

1 Claim, 4 Drawing Sheets

Matter enclosed in heavy brackets [] appears in the original patent but forms no part of this reissue; matter printed in italics indicates the additions made by reissue.

(Continued)



(56)

References Cited

D630,475 S * 1/2011 Lu D7/629

U.S. PATENT DOCUMENTS

FOREIGN PATENT DOCUMENTS

D357,862 S * 5/1995 Lorentzen et al. D24/184
D398,193 S * 9/1998 Sanchez D7/608
D494,425 S * 8/2004 Segura D7/608
D511,457 S * 11/2005 Biesecker et al. D9/443
D551,534 S * 9/2007 Liang et al. D8/301
D558,514 S * 1/2008 Molayem D7/394
D584,566 S * 1/2009 Fuller D7/387
D612,235 S * 3/2010 Cresswell et al. D9/443
D620,357 S * 7/2010 Jewett et al. D9/443

EP 1 034 731 A1 9/2000
FR 2 603 221 A1 8/1986
GB 982050 2/1965
WO WO 03/043477 A1 5/2003
WO WO 2004/073474 A1 9/2004
WO WO 2005/115209 A1 12/2005
WO WO 2007/128153 A1 11/2007
WO WO 2007/128154 A1 11/2007

* cited by examiner

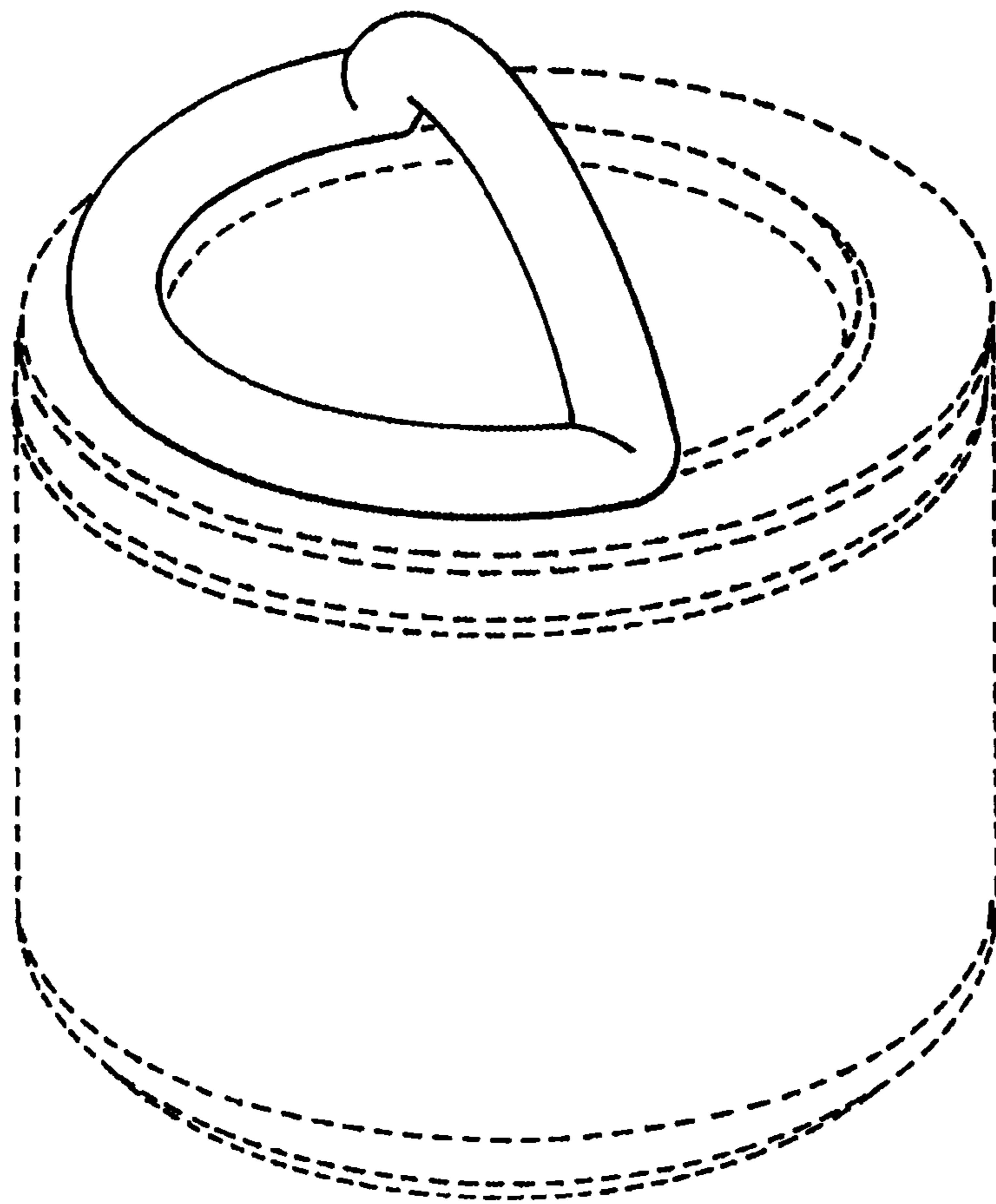


Fig. 1

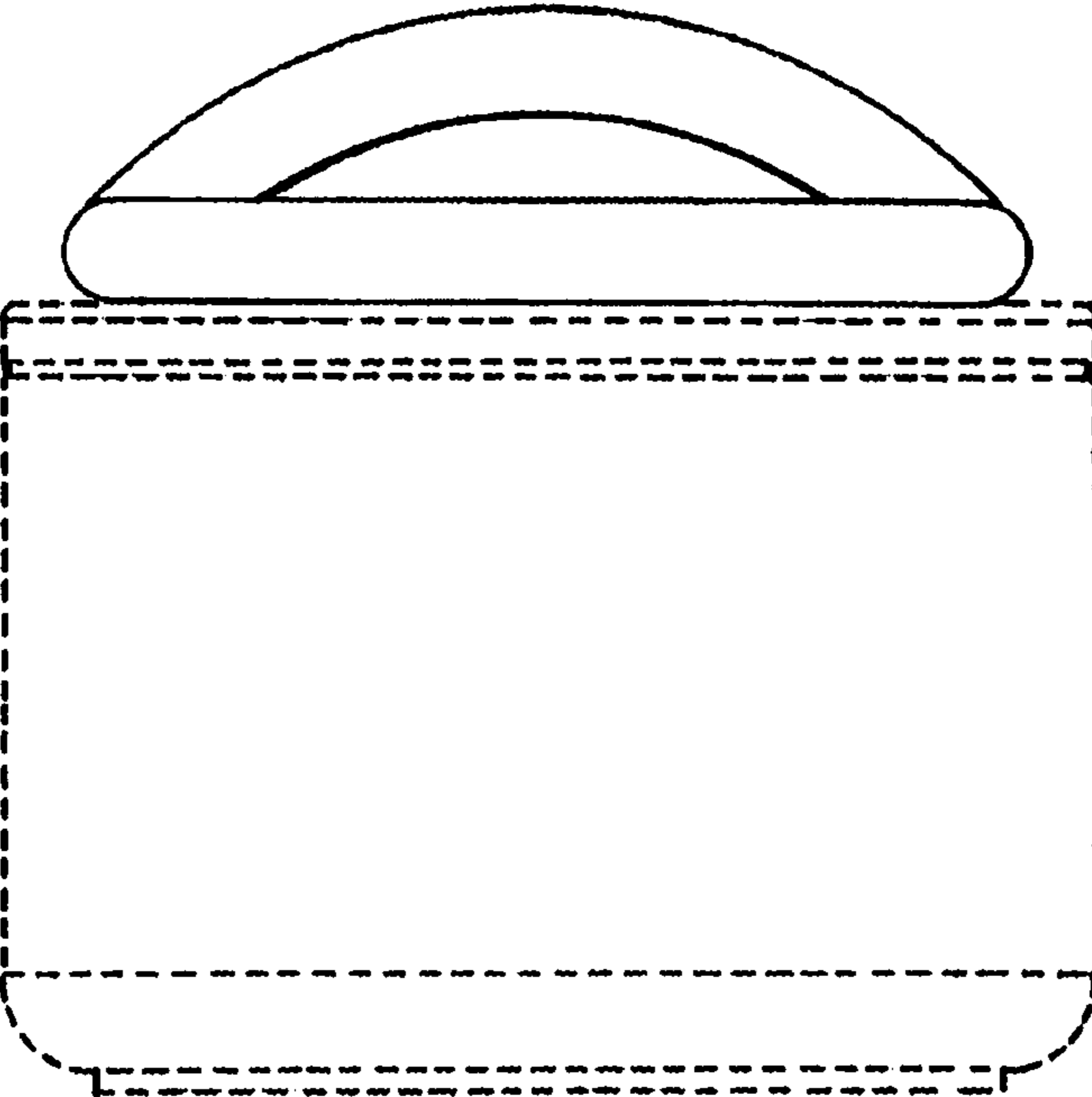


Fig. 2

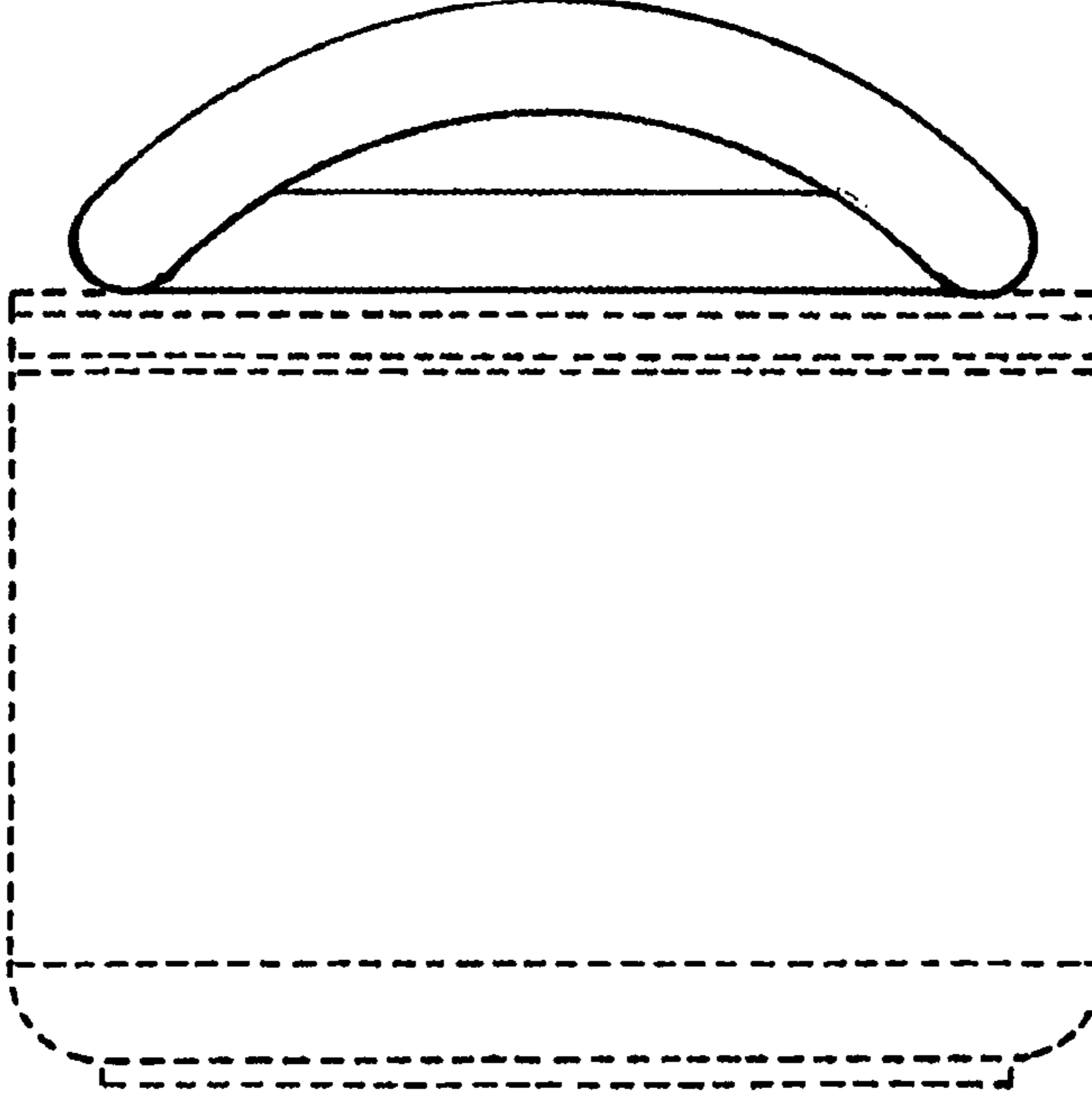


Fig. 3

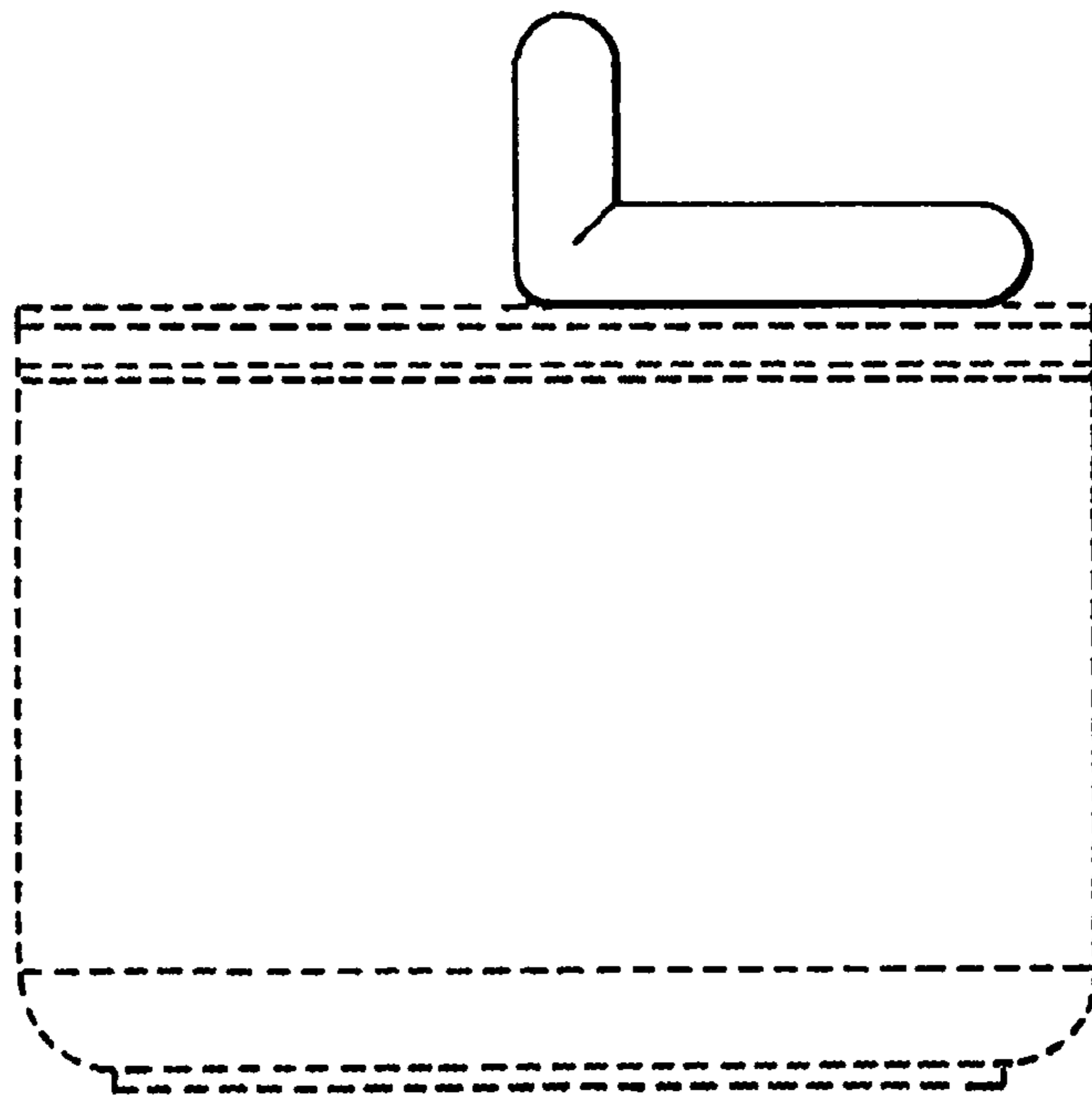


Fig. 4

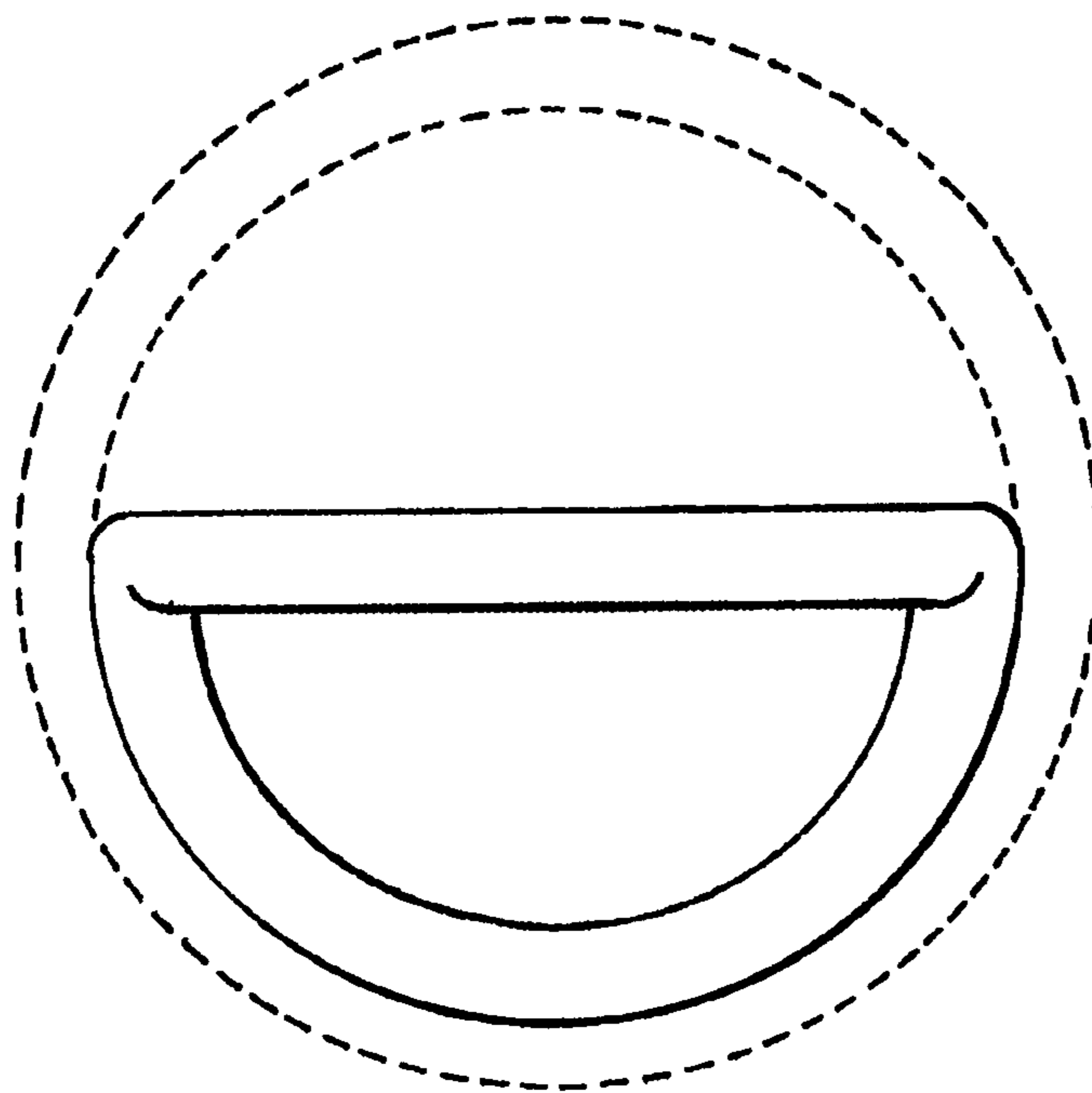


Fig. 5

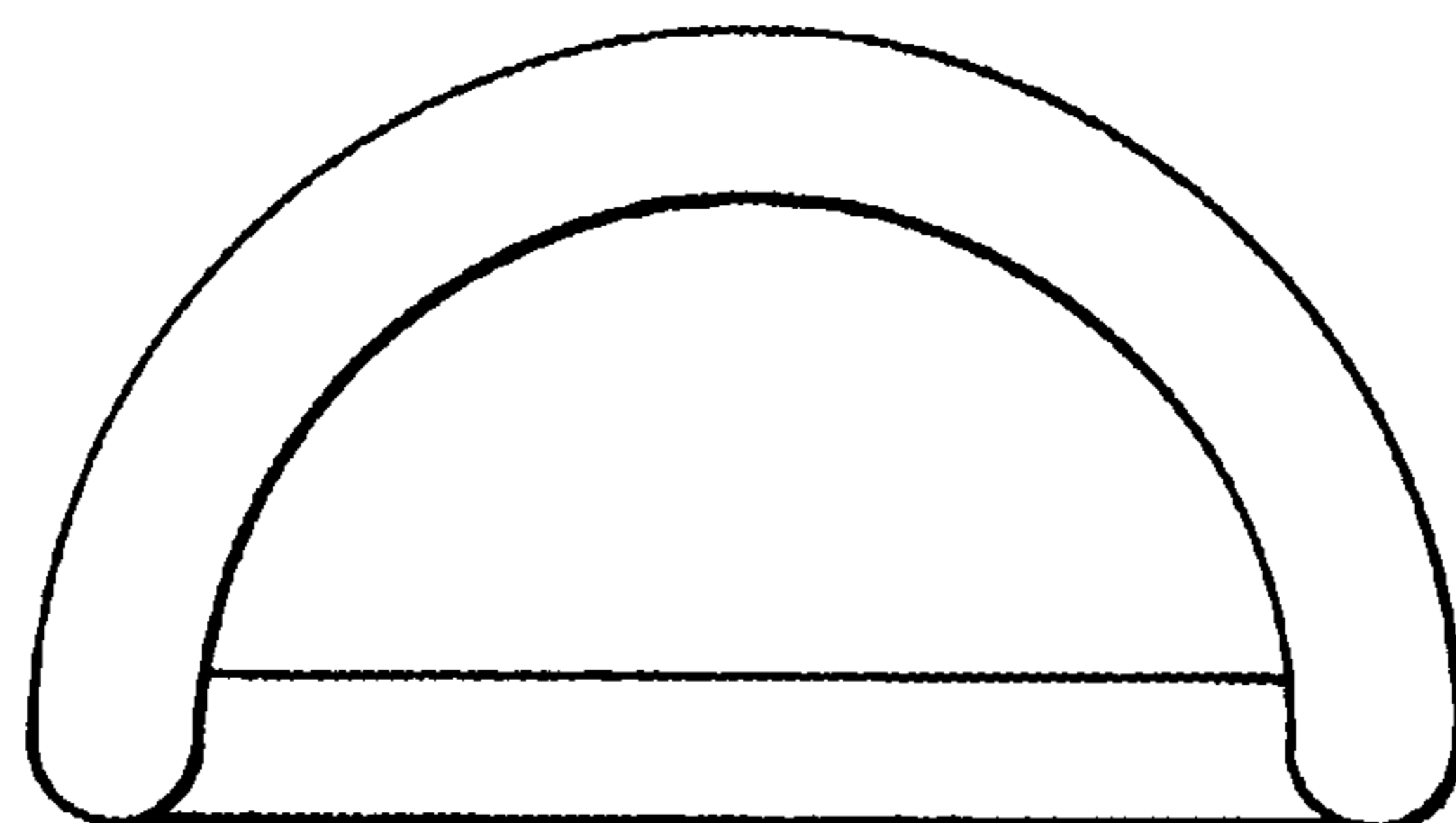


Fig. 6

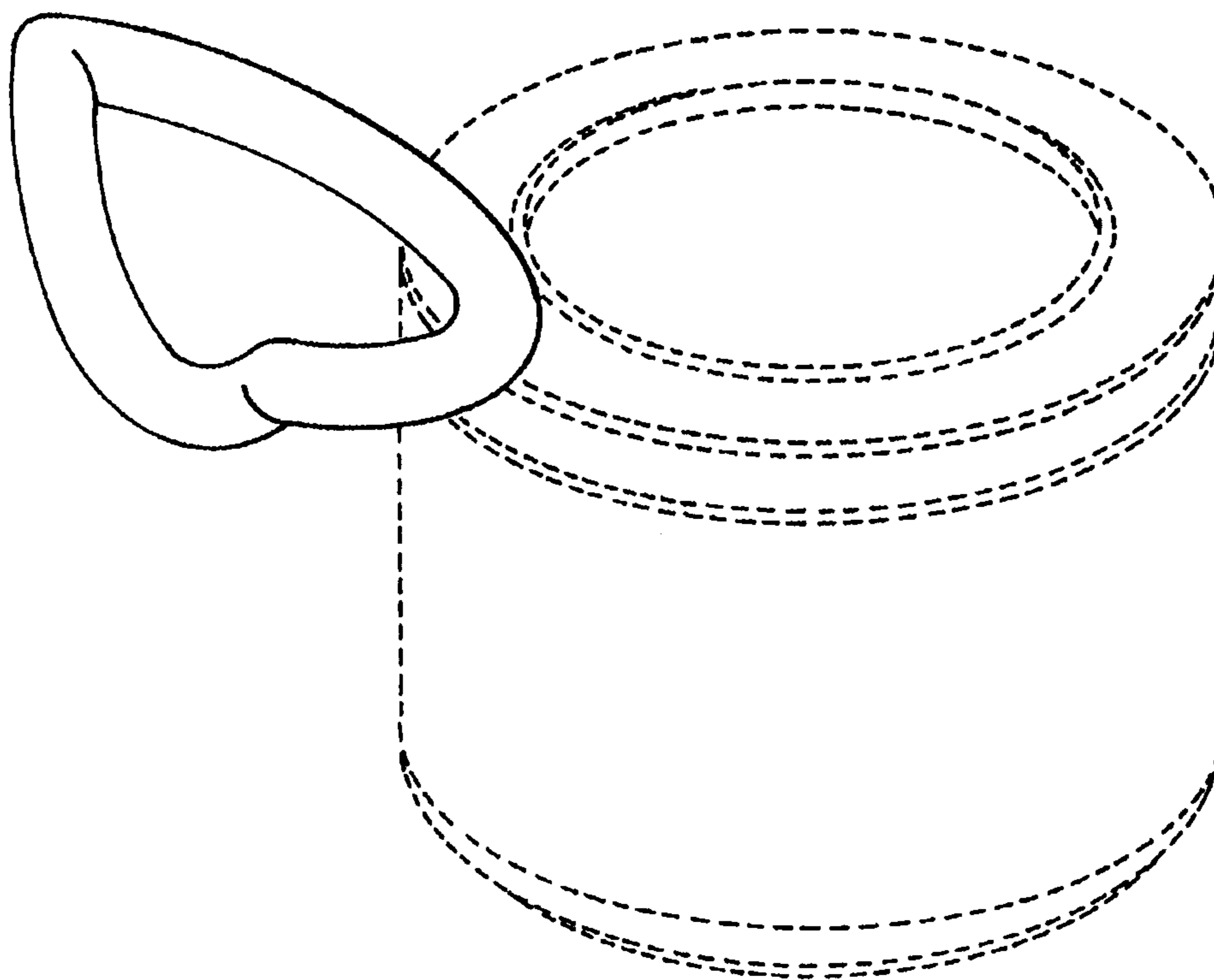


Fig. 7