



US00RE45837E

(19) **United States**  
(12) **Reissued Patent**  
**Krueger**

(10) **Patent Number:** **US RE45,837 E**  
(45) **Date of Reissued Patent:** **Jan. 12, 2016**

(54) **SCREW-ON ANT MOAT FOR A BIRD FEEDER**  
(71) Applicant: **Classic Brands, LLC**, Denver, CO (US)  
(72) Inventor: **Bryan Krueger**, Denver, CO (US)  
(73) Assignee: **Classic Brands, LLC**, Denver, CO (US)

1,107,206 A 8/1914 Schwartzburg  
1,136,092 A 4/1915 Blumere  
1,148,873 A 8/1915 Stocking  
1,181,045 A 4/1916 Tessier  
1,265,481 A 5/1918 Mosby  
1,377,111 A 5/1921 Blair  
1,391,353 A \* 9/1921 Wells ..... 47/71  
1,423,547 A 7/1922 Strohbach

(21) Appl. No.: **29/485,999**

(Continued)

(22) Filed: **Mar. 25, 2014**

**OTHER PUBLICATIONS**

**Related U.S. Patent Documents**

Restriction Requirement, Design U.S. Appl. No. 29/480,509, mailed Sep. 30, 2014, 5 pages.

Reissue of:

(Continued)

(64) Patent No.: **Des. 682,481**  
Issued: **May 14, 2013**  
Appl. No.: **29/416,885**  
Filed: **Mar. 28, 2012**

*Primary Examiner* — Phillip S Hyder  
(74) *Attorney, Agent, or Firm* — Polsinelli PC

(51) **LOC (10) Cl.** ..... **30-03**  
(52) **U.S. Cl.**  
USPC ..... **D30/124**

(57) **CLAIM**  
The ornamental design for a screw-on ant moat for a bird feeder, as shown and described.

(58) **Field of Classification Search**  
USPC ..... D30/121, 122, 124–133; 119/61.5, 119/51.01, 61.56, 51.03, 59, 62, 63, 51.5, 119/57.8, 74, 61.54, 61.55; D9/434, 435, D9/428; D22/120; D10/116; D23/260; D8/382, 373

**DESCRIPTION**

See application file for complete search history.

FIG. 1 is a front perspective view of a screw-on ant moat for a bird feeder embodying my new design.  
FIG. 2 is a right side view thereof, the left side and back views being substantially the same.  
FIG. 3. is a top view thereof.  
FIG. 4. is a bottom view thereof; and,  
FIG. 5 is a bottom perspective view thereof.  
[The portion shown in broken lines in FIG. 4 is environment only, and forms no part of my claimed design.]  
*The broken lines depict portions of the screw-on ant moat for a bird feeder in which the design is embodied that are not considered part of the claimed design.*

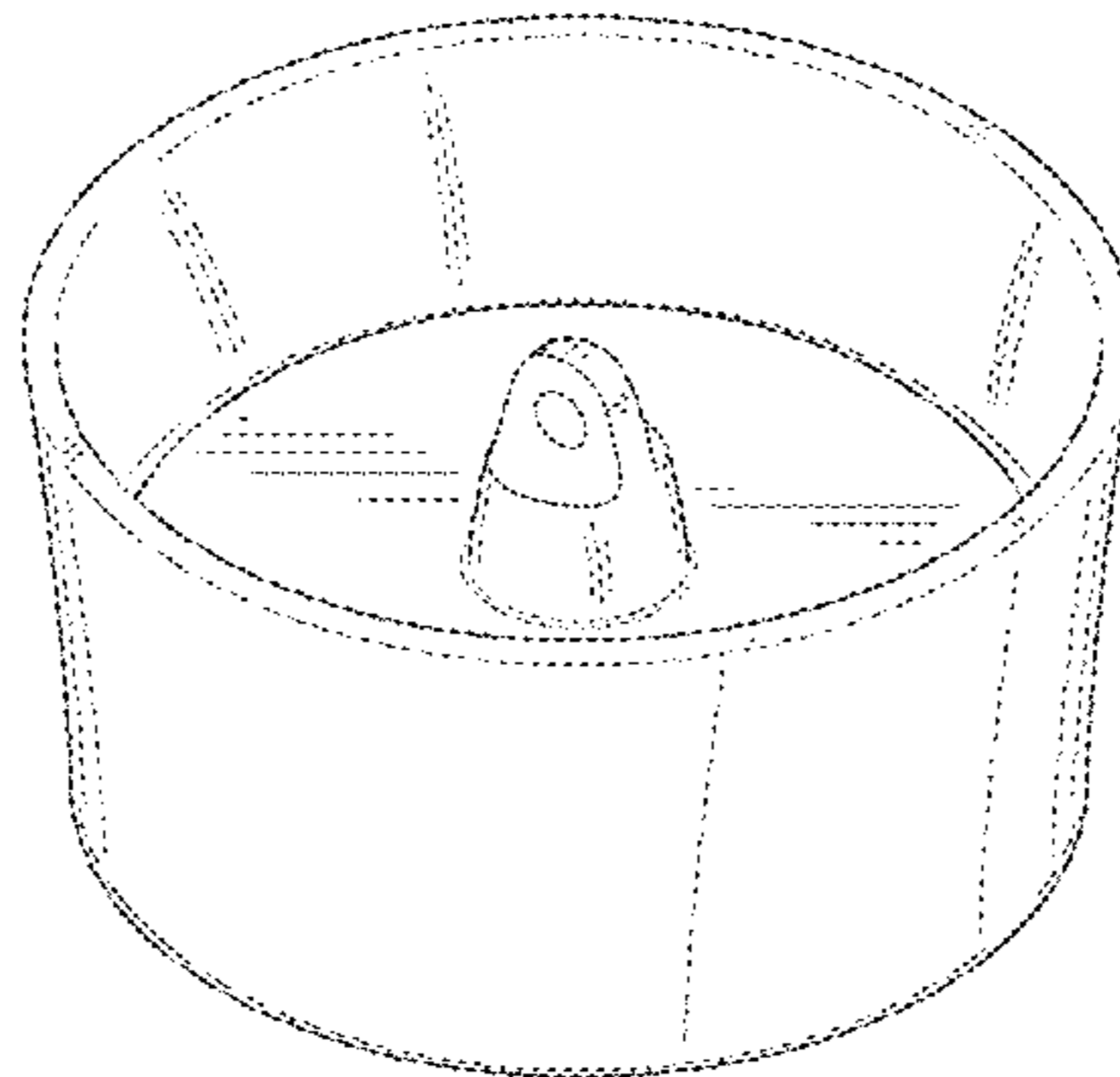
(56) **References Cited**

**1 Claim, 5 Drawing Sheets**

**U.S. PATENT DOCUMENTS**

15,982 A 10/1856 Moulton  
D3,585 S 7/1869 Brown  
D4,451 S 11/1870 Pitts  
D7,964 S 12/1874 Morse  
D8,908 S 1/1876 Wiley  
D22,607 S 7/1893 Johnes  
D24,947 S 12/1895 Feeny et al.  
D28,734 S 5/1898 Muller  
721,435 A 2/1903 Fielding  
D36,459 S 7/1903 Brosi  
1,010,543 A \* 12/1911 Walter et al. .... 119/77  
1,023,240 A 4/1912 Bowier  
1,091,392 A 3/1914 Schlichtinger

**Matter enclosed in heavy brackets [ ] appears in the original patent but forms no part of this reissue; matter printed in italics indicates the additions made by reissue.**



**AMENDED**

(56)

## References Cited

## U.S. PATENT DOCUMENTS

|           |     |         |                       |           |  |
|-----------|-----|---------|-----------------------|-----------|--|
| 1,426,508 | A   | 8/1922  | Rollins               |           |  |
| 1,434,831 | A   | 11/1922 | Long                  |           |  |
| D62,916   | S   | 8/1923  | Peck                  |           |  |
| 1,472,667 | A   | 10/1923 | Nelson                |           |  |
| 1,521,782 | A   | 1/1925  | Meier                 |           |  |
| 1,538,480 | A   | 5/1925  | Gallagher             |           |  |
| 1,555,407 | A * | 9/1925  | Ferris                | 222/586   |  |
| 1,557,068 | A   | 10/1925 | Lee                   |           |  |
| 1,566,571 | A * | 12/1925 | Appleton              | 119/77    |  |
| D71,107   | S   | 9/1926  | Gorowitz              |           |  |
| 1,623,439 | A   | 4/1927  | Rawlings              |           |  |
| 1,634,648 | A   | 7/1927  | Cardinet              |           |  |
| 1,644,063 | A   | 10/1927 | Kircher               |           |  |
| D76,001   | S   | 8/1928  | Broch                 |           |  |
| 1,682,575 | A   | 8/1928  | Leon et al.           |           |  |
| D81,960   | S   | 9/1930  | Dickson               |           |  |
| D84,104   | S   | 5/1931  | Rithner               |           |  |
| 1,858,087 | A   | 5/1932  | Howard                |           |  |
| 1,864,200 | A   | 6/1932  | Kaufmann              |           |  |
| D95,019   | S   | 4/1935  | Cooperstein           |           |  |
| 2,000,609 | A   | 5/1935  | Pitman                |           |  |
| D105,812  | S * | 8/1937  | Siekert               | D30/130   |  |
| D121,675  | S   | 7/1940  | Goldin                |           |  |
| D126,997  | S * | 5/1941  | Bentzen et al.        | D30/129   |  |
| D130,923  | S   | 12/1941 | Philipovich           |           |  |
| 2,267,883 | A * | 12/1941 | Wood                  | 119/77    |  |
| D132,522  | S   | 5/1942  | Fuerst et al.         |           |  |
| D140,392  | S   | 2/1945  | Haynes                |           |  |
| 2,432,632 | A   | 12/1947 | Seibel                |           |  |
| D149,729  | S   | 5/1948  | Aronek                |           |  |
| 2,475,207 | A   | 7/1949  | Smith                 |           |  |
| 2,570,733 | A   | 10/1951 | Thomas                |           |  |
| D165,628  | S * | 1/1952  | Blazier               | D30/128   |  |
| 2,641,086 | A   | 6/1953  | Stephen               |           |  |
| 2,652,027 | A   | 9/1953  | Coyner                |           |  |
| D174,909  | S   | 6/1955  | Killegberg            |           |  |
| D175,435  | S   | 8/1955  | Moffat                |           |  |
| 2,801,611 | A   | 8/1957  | Decker                |           |  |
| 3,050,619 | A   | 8/1962  | Abramson              |           |  |
| D194,846  | S   | 3/1963  | Perry                 |           |  |
| 3,089,605 | A   | 5/1963  | Buonauro              |           |  |
| D196,777  | S * | 11/1963 | Haynes                | D30/132   |  |
| 3,125,069 | A   | 3/1964  | Fowler                |           |  |
| D200,472  | S   | 3/1965  | Chang                 |           |  |
| 3,244,150 | A   | 4/1966  | Benton                |           |  |
| D205,772  | S   | 9/1966  | Blair                 |           |  |
| 3,272,467 | A   | 9/1966  | Kassube               |           |  |
| 3,307,602 | A   | 3/1967  | Boster                |           |  |
| D214,172  | S   | 5/1969  | Troutman              |           |  |
| 3,491,724 | A * | 1/1970  | Sunner                | 119/61.54 |  |
| 3,634,678 | A   | 1/1972  | Glass et al.          |           |  |
| 3,661,122 | A   | 5/1972  | Willauer, Jr.         |           |  |
| D234,615  | S   | 3/1975  | Kilham                |           |  |
| D236,139  | S   | 7/1975  | Kilham                |           |  |
| 3,901,192 | A * | 8/1975  | Adams                 | 119/57.9  |  |
| 3,913,527 | A   | 10/1975 | Kilham                |           |  |
| 3,928,936 | A   | 12/1975 | Wollen                |           |  |
| D239,182  | S   | 3/1976  | Kilham                |           |  |
| D241,149  | S * | 8/1976  | Miller et al.         | D30/128   |  |
| 3,979,854 | A   | 9/1976  | Perkins               |           |  |
| 3,997,999 | A   | 12/1976 | Evans                 |           |  |
| D244,098  | S   | 4/1977  | Kilham                |           |  |
| D244,786  | S   | 6/1977  | Dryden                |           |  |
| 4,030,451 | A * | 6/1977  | Miller                | 119/57.9  |  |
| 4,037,361 | A   | 7/1977  | Murphy et al.         |           |  |
| D246,294  | S   | 11/1977 | Hetherington          |           |  |
| 4,082,872 | A   | 4/1978  | Hughes                |           |  |
| 4,085,706 | A * | 4/1978  | Evans                 | 119/61.54 |  |
| D248,006  | S   | 5/1978  | Christian             |           |  |
| 4,096,947 | A   | 6/1978  | Morse                 |           |  |
| 4,102,308 | A   | 7/1978  | Kilham                |           |  |
| D252,288  | S   | 7/1979  | Kilham                |           |  |
| D253,706  | S   | 12/1979 | Bardeau               |           |  |
| 4,206,529 | A   | 6/1980  | Neumann               |           |  |
| 4,361,116 | A   | 11/1982 | Kilham                |           |  |
| 4,369,216 | A   | 1/1983  | Willinger             |           |  |
| 4,395,015 | A * | 7/1983  | Reardon               | 249/115   |  |
| D271,434  | S * | 11/1983 | Love                  | D30/128   |  |
| D273,429  | S * | 4/1984  | Kilham                | D30/128   |  |
| 4,441,458 | A   | 4/1984  | Mercil                |           |  |
| D277,703  | S * | 2/1985  | Kilham                | D30/128   |  |
| D277,988  | S * | 3/1985  | Kilham                | D30/121   |  |
| 4,516,533 | A   | 5/1985  | Mallinson             |           |  |
| D280,559  | S * | 9/1985  | Bentall               | D30/128   |  |
| D281,768  | S   | 12/1985 | Hansen, Jr.           |           |  |
| 4,588,618 | A   | 5/1986  | Wolfe                 |           |  |
| D285,840  | S   | 9/1986  | Poon                  |           |  |
| D287,652  | S   | 1/1987  | Mack                  |           |  |
| D288,353  | S   | 2/1987  | Smith                 |           |  |
| 4,691,665 | A   | 9/1987  | Hefner                |           |  |
| 4,708,892 | A   | 11/1987 | Young et al.          |           |  |
| 4,789,572 | A   | 12/1988 | Weaver                |           |  |
| 4,803,954 | A   | 2/1989  | Welch et al.          |           |  |
| D304,536  | S * | 11/1989 | Blaser                | D7/584    |  |
| D309,639  | S   | 7/1990  | Knudsen               |           |  |
| D309,640  | S   | 7/1990  | Knudsen               |           |  |
| D314,253  | S * | 1/1991  | Goetz                 | D30/129   |  |
| 5,016,791 | A   | 5/1991  | Burow                 |           |  |
| 5,062,390 | A   | 11/1991 | Bescherer et al.      |           |  |
| D322,044  | S   | 12/1991 | Marsar et al.         |           |  |
| 5,083,881 | A   | 1/1992  | Yoshinaga             |           |  |
| 5,088,615 | A   | 2/1992  | Neuman                |           |  |
| 5,101,996 | A   | 4/1992  | Mosley                |           |  |
| D326,003  | S * | 5/1992  | Embree                | D30/128   |  |
| D331,647  | S   | 12/1992 | Embree                |           |  |
| D331,864  | S   | 12/1992 | Sciubba               |           |  |
| D333,538  | S * | 2/1993  | Kingsley              | D30/199   |  |
| 5,183,005 | A   | 2/1993  | Tyler                 |           |  |
| 5,195,463 | A * | 3/1993  | Lorenzana et al.      | 119/77    |  |
| 5,207,180 | A   | 5/1993  | Graham                |           |  |
| 5,215,040 | A   | 6/1993  | Lemley                |           |  |
| D343,030  | S   | 1/1994  | Harwick, Jr.          |           |  |
| D345,444  | S   | 3/1994  | Kestekides-Kesdekoglu |           |  |
| D347,714  | S   | 6/1994  | Maple et al.          |           |  |
| 5,396,878 | A   | 3/1995  | Quist                 |           |  |
| D360,710  | S   | 7/1995  | Colwell               |           |  |
| 5,450,816 | A   | 9/1995  | Santa Cruz            |           |  |
| D365,411  | S   | 12/1995 | Yan                   |           |  |
| D368,337  | S   | 3/1996  | Dickinson             |           |  |
| D368,347  | S   | 3/1996  | Kruger                |           |  |
| D368,989  | S   | 4/1996  | Prehart               |           |  |
| 5,507,249 | A   | 4/1996  | Shaw                  |           |  |
| 5,522,758 | A   | 6/1996  | Liu                   |           |  |
| D371,401  | S   | 7/1996  | Nielsen et al.        |           |  |
| D371,838  | S   | 7/1996  | Davis et al.          |           |  |
| 5,564,226 | A * | 10/1996 | Paramest              | 47/71     |  |
| D376,453  | S   | 12/1996 | Park                  |           |  |
| D378,312  | S   | 3/1997  | Davis, Jr.            |           |  |
| 5,638,638 | A * | 6/1997  | Moskowitz             | 47/71     |  |
| D382,376  | S   | 8/1997  | Bescherer             |           |  |
| 5,678,600 | A   | 10/1997 | Locke et al.          |           |  |
| D386,811  | S   | 11/1997 | Milicia               |           |  |
| 5,682,835 | A   | 11/1997 | Walter                |           |  |
| D387,156  | S   | 12/1997 | Johnson               |           |  |
| D388,235  | S   | 12/1997 | Wilson et al.         |           |  |
| D392,763  | S   | 3/1998  | Denison               |           |  |
| D394,468  | S   | 5/1998  | Leadbetter            |           |  |
| D397,529  | S   | 8/1998  | Fuller et al.         |           |  |
| 5,800,047 | A   | 9/1998  | Yang                  |           |  |
| 5,806,460 | A   | 9/1998  | Klein                 |           |  |
| 5,816,686 | A   | 10/1998 | Wang et al.           |           |  |
| 5,823,135 | A   | 10/1998 | Gilchrist et al.      |           |  |
| 5,845,605 | A * | 12/1998 | Malamphy              | 119/69.5  |  |
| 5,848,493 | A   | 12/1998 | Gasper                |           |  |
| 5,881,671 | A   | 3/1999  | Riedl                 |           |  |
| 5,899,555 | A   | 5/1999  | Lin                   |           |  |
| D412,226  | S * | 7/1999  | Bellehumeur           | D30/130   |  |
| 5,918,415 | A   | 7/1999  | Locke et al.          |           |  |
| 5,947,054 | A   | 9/1999  | Liethen               |           |  |
| D417,528  | S   | 12/1999 | Rizzo                 |           |  |
| 6,012,414 | A   | 1/2000  | Klein                 |           |  |
| D421,643  | S   | 3/2000  | Mauk                  |           |  |
| D429,852  | S   | 8/2000  | Hogarty               |           |  |
| D433,747  | S   | 11/2000 | Frampton              |           |  |

(56)

## References Cited

## U.S. PATENT DOCUMENTS

|              |      |         |                     |          |
|--------------|------|---------|---------------------|----------|
| 6,145,477    | A    | 11/2000 | Jansen              |          |
| D438,360     | S    | 2/2001  | Robinson            |          |
| D440,002     | S    | 4/2001  | Miranda             |          |
| D440,677     | S    | 4/2001  | Long et al.         |          |
| D443,711     | S    | 6/2001  | Lindsay             |          |
| D445,525     | S    | 7/2001  | Pan                 |          |
| D445,533     | S    | 7/2001  | Arnoldo             |          |
| D445,939     | S    | 7/2001  | Pan                 |          |
| D450,786     | S    | 11/2001 | Jenkins et al.      |          |
| D451,997     | S    | 12/2001 | Schwartz            |          |
| D454,192     | S    | 3/2002  | Frampton            |          |
| D454,636     | S    | 3/2002  | Lantz               |          |
| D454,669     | S    | 3/2002  | Lieb                |          |
| D455,599     | S    | 4/2002  | Cheng               |          |
| D459,824     | S    | 7/2002  | Leen                |          |
| 6,439,158    | B1   | 8/2002  | Blohm               |          |
| 6,463,878    | B1   | 10/2002 | Moody               |          |
| 6,499,430    | B2   | 12/2002 | Garcia-Lucio et al. |          |
| D470,621     | S    | 2/2003  | Cheng               |          |
| D473,739     | S    | 4/2003  | Lenger              |          |
| D476,755     | S    | 7/2003  | LoVullo et al.      |          |
| D478,475     | S    | 8/2003  | Backes et al.       |          |
| D479,595     | S    | 9/2003  | Curtin              |          |
| D479,596     | S    | 9/2003  | Curtin              |          |
| D479,597     | S    | 9/2003  | Curtin              |          |
| D480,135     | S    | 9/2003  | Frampton            |          |
| D480,802     | S    | 10/2003 | Frampton            |          |
| D480,803     | S    | 10/2003 | Frampton            |          |
| D482,736     | S    | 11/2003 | Manville            |          |
| D483,529     | S    | 12/2003 | Fort, II            |          |
| D483,858     | S    | 12/2003 | Lin                 |          |
| 6,662,747    | B1   | 12/2003 | Wydra               |          |
| D485,208     | S *  | 1/2004  | Fan                 | D11/143  |
| D485,345     | S    | 1/2004  | Bucher              |          |
| D485,350     | S    | 1/2004  | Frampton            |          |
| D485,351     | S    | 1/2004  | Frampton            |          |
| D485,387     | S    | 1/2004  | Harbaugh            |          |
| D485,928     | S    | 1/2004  | Leung et al.        |          |
| 6,672,249    | B2   | 1/2004  | Garcia-Lucio et al. |          |
| D488,195     | S    | 4/2004  | Manville            |          |
| D488,219     | S    | 4/2004  | Frampton            |          |
| D489,128     | S    | 4/2004  | Frampton            |          |
| 6,733,151    | B2   | 5/2004  | Shu                 |          |
| D490,745     | S *  | 6/2004  | Fan                 | D11/143  |
| D491,657     | S    | 6/2004  | Cartwright          |          |
| 6,776,511    | B1   | 8/2004  | Lindsay             |          |
| D495,839     | S    | 9/2004  | Muday et al.        |          |
| D502,293     | S    | 2/2005  | Harger              |          |
| D502,294     | S *  | 2/2005  | Hung                | D30/129  |
| 6,860,229    | B1 * | 3/2005  | Craft               | 119/61.5 |
| 6,861,108    | B1   | 3/2005  | Potoroka, Sr.       |          |
| D504,987     | S    | 5/2005  | Morris, Sr.         |          |
| 6,890,155    | B2   | 5/2005  | Cartwright          |          |
| D506,826     | S    | 6/2005  | Frampton            |          |
| D509,325     | S    | 9/2005  | Jung et al.         | D30/127  |
| D510,992     | S    | 10/2005 | Bucher              |          |
| D511,074     | S    | 11/2005 | Claypool et al.     |          |
| D514,749     | S    | 2/2006  | Fort et al.         |          |
| D516,712     | S    | 3/2006  | Pickett             |          |
| D521,194     | S    | 5/2006  | Weiland             |          |
| 7,040,251    | B2   | 5/2006  | Fort, II            |          |
| D523,955     | S    | 6/2006  | Badarello           |          |
| D524,490     | S    | 7/2006  | Obenshain           |          |
| D525,903     | S    | 8/2006  | Weiser et al.       |          |
| D529,220     | S    | 9/2006  | Izardel             |          |
| D530,457     | S    | 10/2006 | Jung et al.         |          |
| D532,132     | S    | 11/2006 | Holsinger et al.    |          |
| D536,838     | S    | 2/2007  | Colvin et al.       |          |
| D538,485     | S    | 3/2007  | Degironne           |          |
| D541,466     | S    | 4/2007  | Bucher et al.       |          |
| D542,479     | S    | 5/2007  | O'Dell              |          |
| D543,665     | S *  | 5/2007  | Hewitt et al.       | D30/129  |
| 7,234,418    | B2   | 6/2007  | Fort et al.         |          |
| D545,984     | S    | 7/2007  | Leung et al.        |          |
| D546,991     | S    | 7/2007  | Poon                |          |
| D548,321     | S    | 8/2007  | Orozco              |          |
| D554,252     | S    | 10/2007 | Bucher et al.       |          |
| D559,472     | S *  | 1/2008  | Abinanti et al.     | D30/129  |
| D561,021     | S    | 2/2008  | DuVal et al.        |          |
| D563,608     | S *  | 3/2008  | Kitchen             | D30/129  |
| D563,616     | S    | 3/2008  | Lynde et al.        |          |
| D565,173     | S    | 3/2008  | Bucher et al.       |          |
| D569,301     | S    | 5/2008  | Fotherby            |          |
| 7,396,212    | B1   | 7/2008  | Parker et al.       |          |
| D575,864     | S    | 8/2008  | Parker et al.       |          |
| 7,448,347    | B2   | 11/2008 | Richmond            |          |
| D583,187     | S    | 12/2008 | Rapaz               |          |
| D584,387     | S    | 1/2009  | Lee et al.          |          |
| D585,625     | S    | 1/2009  | Gray                |          |
| D588,756     | S    | 3/2009  | Colvin et al.       |          |
| 7,506,611    | B1   | 3/2009  | Lush                |          |
| D593,649     | S    | 6/2009  | Marvell             |          |
| D595,525     | S    | 7/2009  | Dimond              |          |
| D597,197     | S    | 7/2009  | Parker et al.       |          |
| D598,238     | S    | 8/2009  | Durdon et al.       |          |
| D600,861     | S *  | 9/2009  | Sin                 | D30/129  |
| D601,309     | S *  | 9/2009  | Babal               | D30/129  |
| 7,600,487    | B2   | 10/2009 | Stone et al.        |          |
| D604,436     | S    | 11/2009 | Poon                |          |
| D606,708     | S    | 12/2009 | McMullen            |          |
| D606,709     | S    | 12/2009 | McMullen            |          |
| D606,878     | S    | 12/2009 | Lindfors            |          |
| D609,329     | S    | 2/2010  | Parker et al.       |          |
| D612,549     | S    | 3/2010  | Garcia-Lucio et al. |          |
| 7,685,969    | B2   | 3/2010  | Stone et al.        |          |
| D614,825     | S    | 4/2010  | Biegel              |          |
| D615,310     | S    | 5/2010  | Cybulski            |          |
| D620,172     | S    | 7/2010  | Orozco              |          |
| D623,005     | S    | 9/2010  | Cheng               |          |
| D623,806     | S *  | 9/2010  | Modi et al.         | D30/129  |
| D624,352     | S    | 9/2010  | Lion et al.         |          |
| 7,789,040    | B2   | 9/2010  | Liethen             |          |
| D627,457     | S    | 11/2010 | Klausing et al.     |          |
| D629,137     | S    | 12/2010 | Chen                |          |
| D630,969     | S    | 1/2011  | Mattis              |          |
| 7,861,671    | B2   | 1/2011  | Carter et al.       |          |
| 7,886,695    | B2   | 2/2011  | Held et al.         |          |
| D633,659     | S    | 3/2011  | Lai                 |          |
| D636,539     | S *  | 4/2011  | Montoya             | D30/129  |
| D636,946     | S *  | 4/2011  | Able                | D30/129  |
| D637,448     | S    | 5/2011  | Cheng               |          |
| 7,946,249    | B2   | 5/2011  | Colvin et al.       |          |
| D641,516     | S    | 7/2011  | Chen                |          |
| 8,011,323    | B2   | 9/2011  | Vaughn et al.       |          |
| 8,051,803    | B2   | 11/2011 | Gauker et al.       |          |
| D650,514     | S    | 12/2011 | Lin et al.          |          |
| D652,972     | S    | 1/2012  | Lee                 |          |
| D653,011     | S    | 1/2012  | Myers               |          |
| D656,279     | S    | 3/2012  | Tu                  |          |
| D658,930     | S    | 5/2012  | Munari              |          |
| D661,434     | S    | 6/2012  | Fields et al.       |          |
| D665,627     | S    | 8/2012  | De Winter           |          |
| D670,042     | S    | 10/2012 | Anderson            |          |
| D670,836     | S    | 11/2012 | Hisey et al.        |          |
| D671,276     | S    | 11/2012 | Krueger             |          |
| 8,360,005    | B1   | 1/2013  | Allen               |          |
| D689,730     | S    | 9/2013  | Goto et al.         |          |
| 8,899,179    | B1   | 12/2014 | Carter et al.       |          |
| 2002/0121246 | A1   | 9/2002  | Harman              |          |
| 2004/0010971 | A1   | 1/2004  | Redfield et al.     |          |
| 2004/0118354 | A1   | 6/2004  | Cox et al.          |          |
| 2004/0134437 | A1   | 7/2004  | Fort                |          |
| 2004/0261726 | A1   | 12/2004 | Lumpkin             |          |
| 2005/0127074 | A1 * | 6/2005  | Kusuma et al.       | 220/6    |
| 2006/0005774 | A1 * | 1/2006  | Newman Bornhofen    | 119/61.5 |
| 2006/0065202 | A1   | 3/2006  | Fort et al.         |          |
| 2006/0090391 | A1   | 5/2006  | Huang               |          |
| 2006/0090707 | A1   | 5/2006  | Donegan             |          |
| 2006/0096545 | A1   | 5/2006  | Cone et al.         |          |
| 2006/0117962 | A1   | 6/2006  | Hoekstra et al.     |          |
| 2006/0124067 | A1   | 6/2006  | Taylor              |          |
| 2007/0108197 | A1   | 5/2007  | Richardson et al.   |          |
| 2007/0221133 | A1   | 9/2007  | Richmond            |          |
| 2008/0006212 | A1   | 1/2008  | Ebert               |          |

(56)

**References Cited**

U.S. PATENT DOCUMENTS

|              |    |         |                   |
|--------------|----|---------|-------------------|
| 2008/0035068 | A1 | 2/2008  | Gou               |
| 2008/0244959 | A1 | 10/2008 | Schinazi et al.   |
| 2008/0257273 | A1 | 10/2008 | Carter et al.     |
| 2008/0302304 | A1 | 12/2008 | Mayfield          |
| 2009/0056633 | A1 | 3/2009  | McDaniel et al.   |
| 2009/0056636 | A1 | 3/2009  | Deese et al.      |
| 2009/0078211 | A1 | 3/2009  | Charlton          |
| 2009/0145875 | A1 | 6/2009  | Gardner           |
| 2009/0229528 | A1 | 9/2009  | McMurtry          |
| 2009/0304876 | A1 | 12/2009 | Weiss             |
| 2009/0308321 | A1 | 12/2009 | Szczygiel-Durante |
| 2009/0320765 | A1 | 12/2009 | Gauker et al.     |
| 2010/0024738 | A1 | 2/2010  | Chen et al.       |
| 2010/0170447 | A1 | 7/2010  | Pridgen, Jr.      |
| 2010/0180828 | A1 | 7/2010  | DeMichael         |
| 2010/0218754 | A1 | 9/2010  | Kuntz             |
| 2010/0224132 | A1 | 9/2010  | Gauker et al.     |
| 2011/0011345 | A1 | 1/2011  | LoRocco et al.    |
| 2011/0297095 | A1 | 12/2011 | Cruz et al.       |
| 2012/0311919 | A1 | 12/2012 | Hardigree         |

OTHER PUBLICATIONS

Response to Restriction Requirement, Design U.S. Appl. No. 29/480,509, filed Dec. 1, 2014, 3 pages.  
 Notice of Allowance, Design U.S. Appl. No. 29/480,509, 27 pages.  
 Ex Parte Quayle Action, Design U.S. Appl. No. 29/382,076, mailed Mar. 23, 2012, 13 pages.  
 Response to Ex Parte Quayle Action, Design U.S. Appl. No. 29/382,076, filed May 23, 2012, 9 pages.  
 Notice of Allowance, Design U.S. Appl. No. 29/382,075, mailed Feb. 1, 2012, 18 pages.

Restriction Requirement, Design U.S. Appl. No. 29/416,890 mailed Aug. 2, 2012, 5 pages.  
 Response to Restriction Requirement, Design U.S. Appl. No. 29/416,890, filed Sep. 4, 2012, 13 pages.  
 CPA/Amendment, Design U.S. Appl. No. 29/382,076, filed Sep. 19, 2012, 9 pages.  
 Duncraft, Inc., JB's Hummingbird Feeder, (date unknown) located at <http://www.duncraft.com/JBS-Hummingbird-Feeder>, 3 pages, offered for sale no later than Mar. 27, 2012.  
 Duncraft, Inc., Jewel Hummingbird Feeder, (date unknown) located at <http://www.duncraft.com/Jewel-Cut-Hummingbird-Feeder>, 2 pages, offered for sale no later than Mar. 27, 2012.  
 Duncraft, Inc., Lantern Hummingbird Feeder, (date unknown) located at [http://www.duncraft.com/index/page/product/product\\_id/1326/product\\_name/Lantern+Hummingbird+Feeder](http://www.duncraft.com/index/page/product/product_id/1326/product_name/Lantern+Hummingbird+Feeder), 2 pages, offered for sale no later than Mar. 27, 2012.  
 Duncraft, Inc., Deluxe Hummer Feeder, (date unknown) located at [http://www.duncraft.com/index/page/product/product\\_id/1020/product\\_name/Deluxe+Hummer+Feeder](http://www.duncraft.com/index/page/product/product_id/1020/product_name/Deluxe+Hummer+Feeder), 2 pages, offered for sale no later than Mar. 27, 2012.  
 Duncraft, Inc., Four Flower Frolic Feeder Set, (date unknown) located at <http://www.duncraft.com/Four-Flower-Frolic-Hummingbird-Feeder-Set>, 2 pages, offered for sale no later than Mar. 27, 2012.  
 Duncraft, Inc., Hollyhock Hummingbird Feeder, (date unknown) located at <http://www.duncraft.com/Hollyhock-Hummingbird-Feeder>, 2 pages, offered for sale no later than Mar. 27, 2012.  
 U.S. Appl. No. 29/382,076, filed Dec. 29, 2010, Fields et al.  
 U.S. Appl. No. 29/382,076, filed Dec. 29, 2010, Fields et al., D661,434.  
 U.S. Appl. No. 29/387,518, filed Mar. 14, 2011, Krueger et al.  
 U.S. Appl. No. 29/416,890, filed Mar. 28, 2012, Krueger.

\* cited by examiner

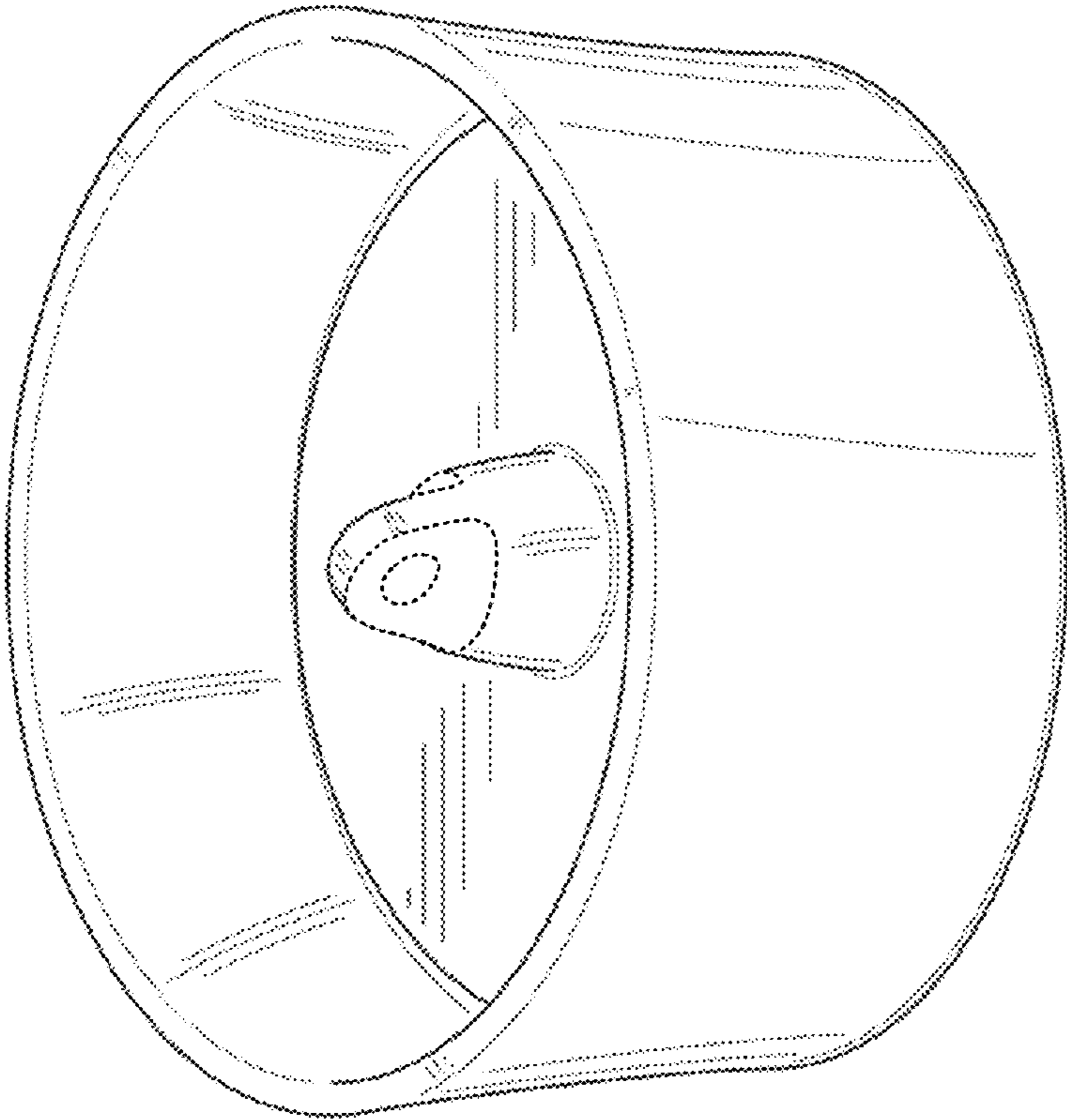


FIG. 1  
AMENDED

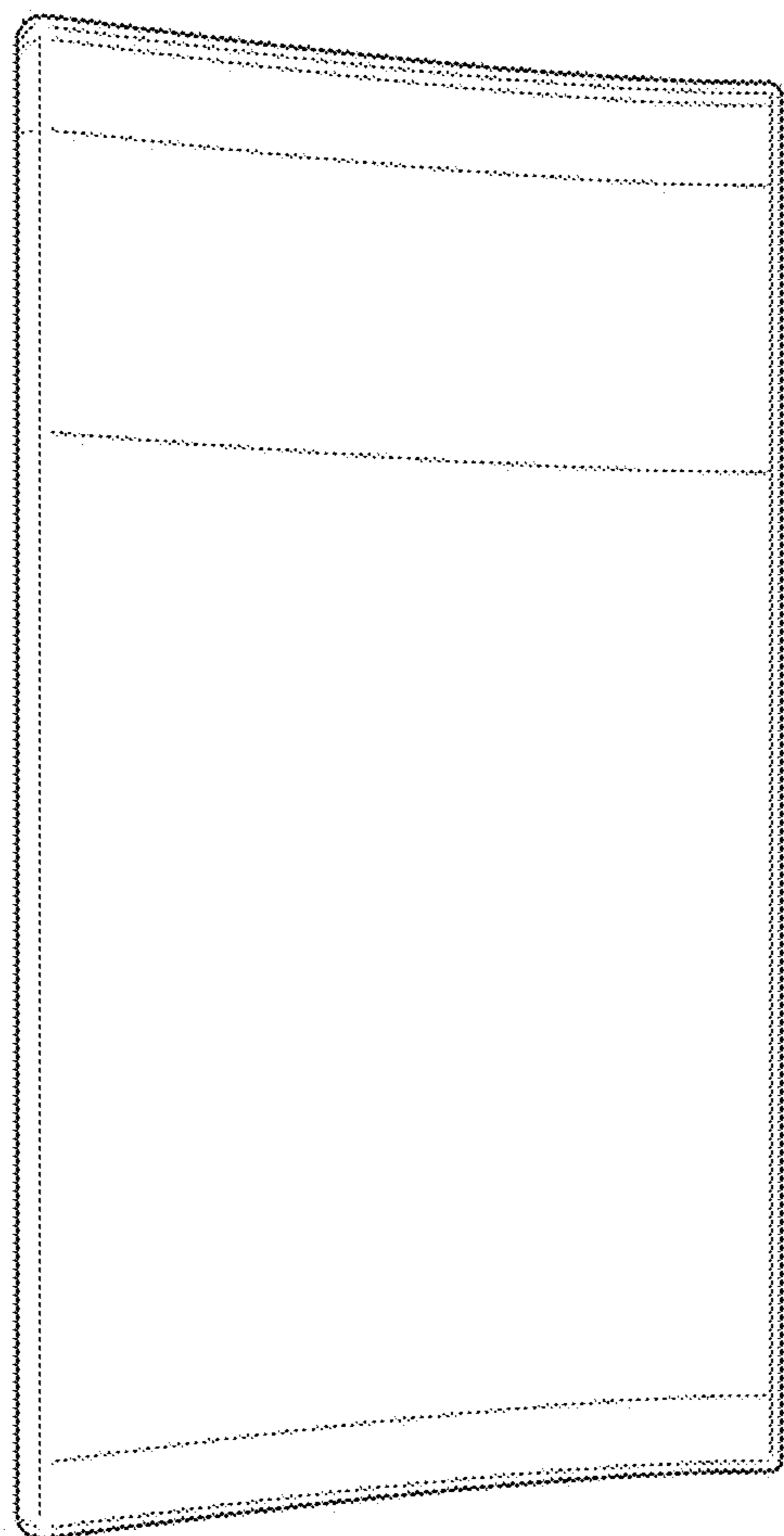


FIG. 2

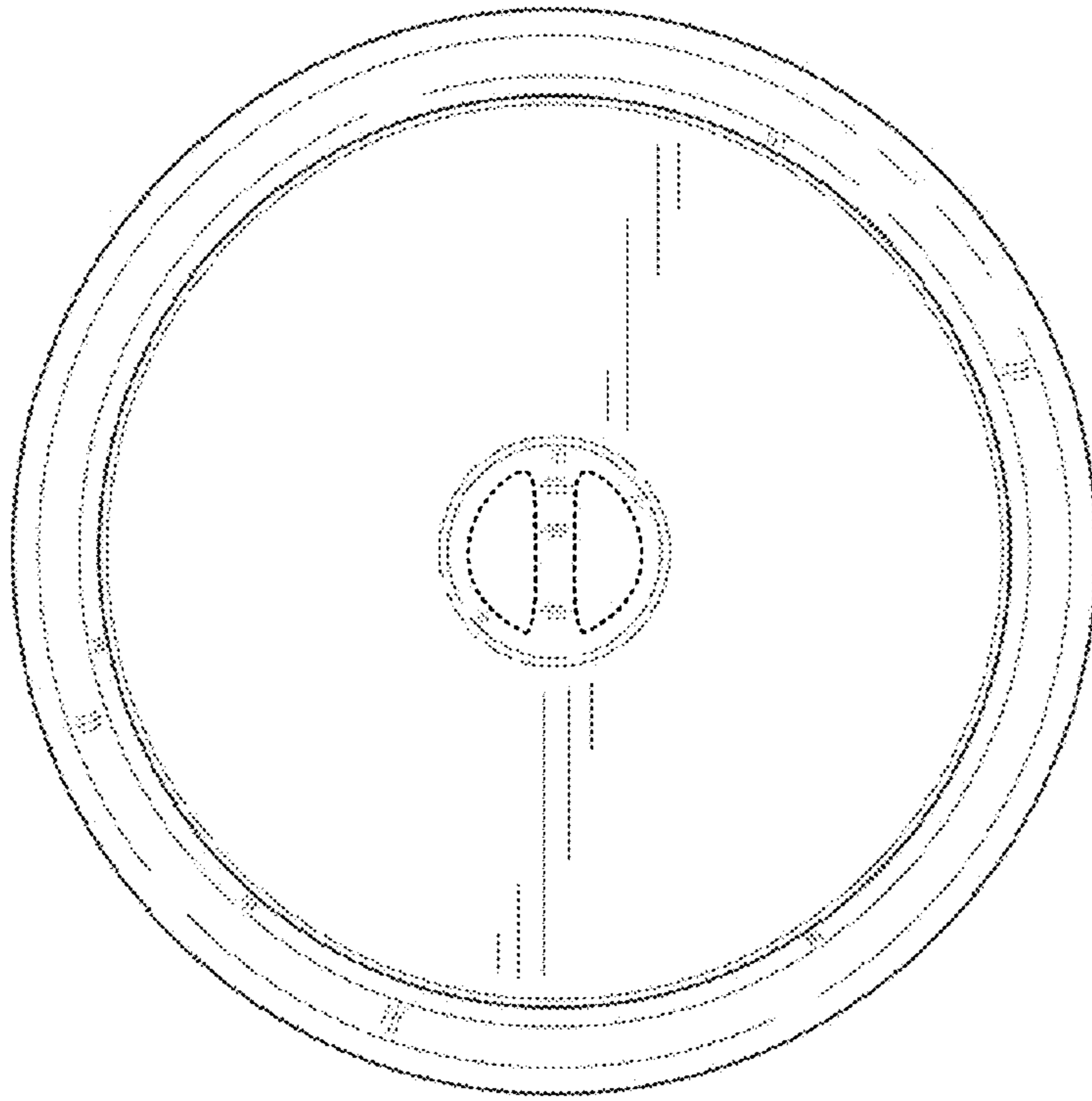


FIG. 3

AMENDED

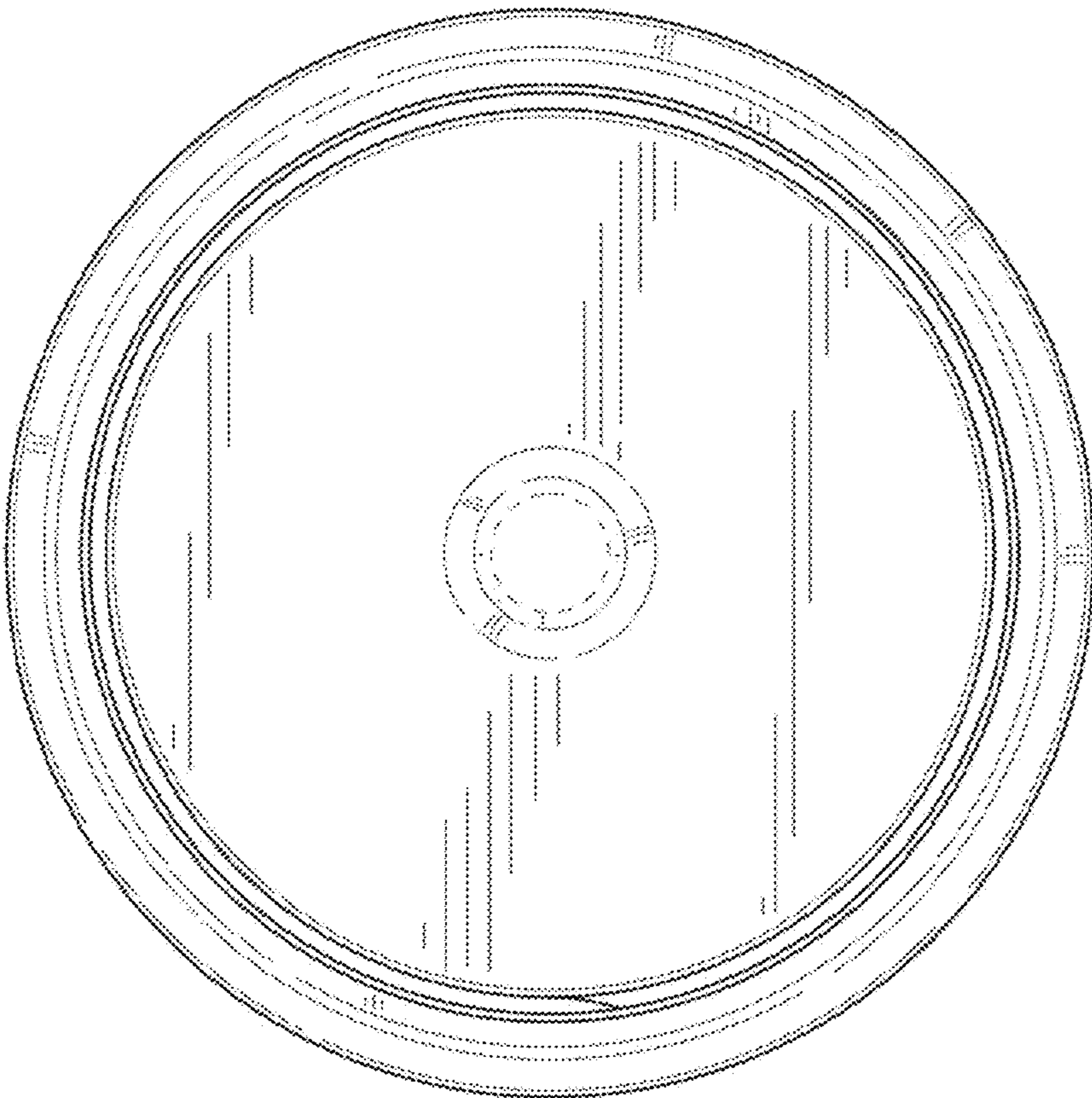


FIG. 4



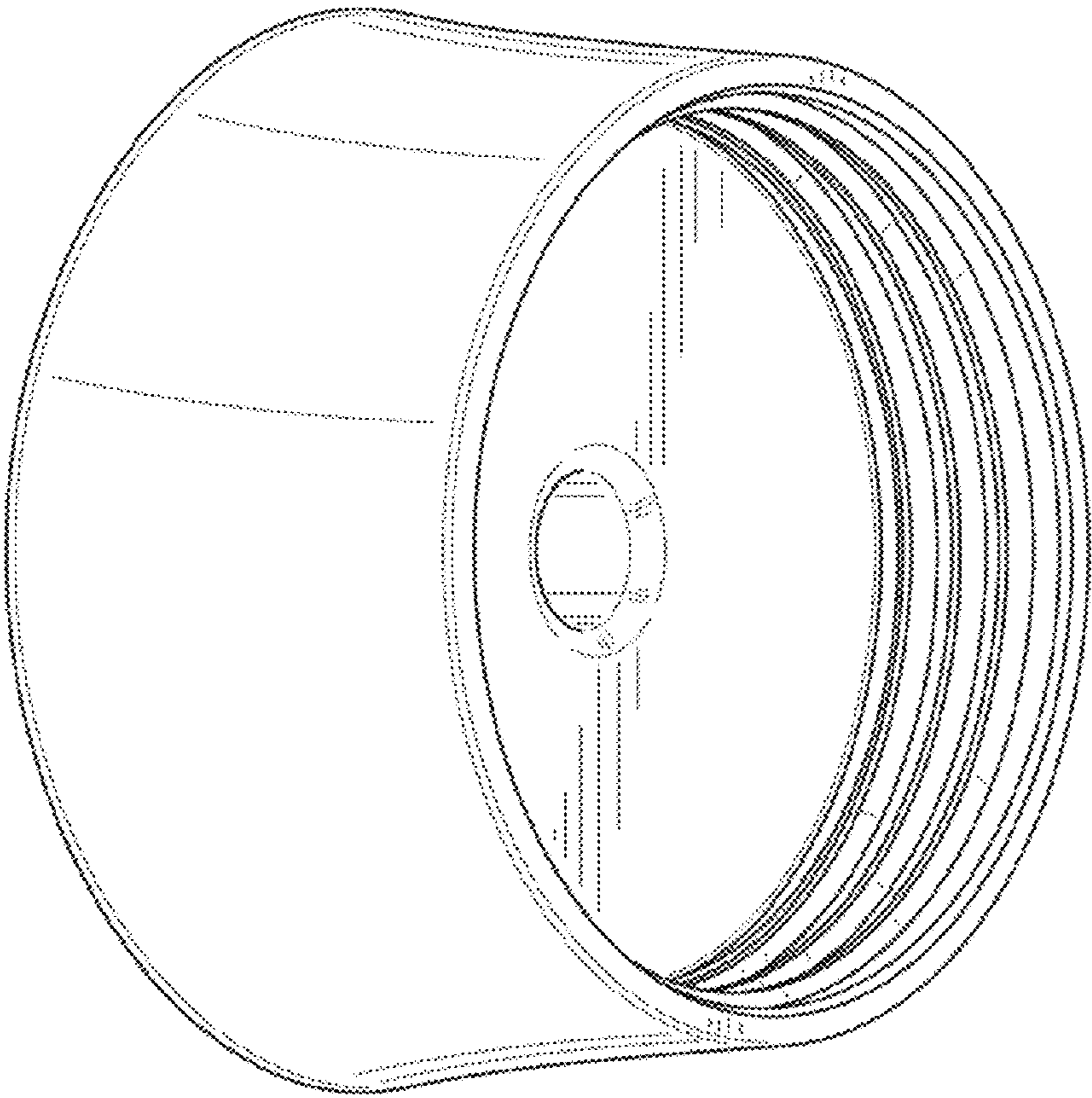


FIG. 5