



US00RE45836E

(19) **United States**  
(12) **Reissued Patent**  
**McAuley et al.**

(10) **Patent Number:** **US RE45,836 E**  
(45) **Date of Reissued Patent:** **Jan. 12, 2016**

(54) **FACE MASK**

FOREIGN PATENT DOCUMENTS

(71) Applicant: **FISHER & PAYKEL HEALTHCARE LIMITED**, Auckland (NZ)

JP 2011147829 A \* 8/2011 ..... A61M 16/06  
JP 2012011243 A \* 1/2012 ..... A61M 16/06  
JP 2012061313 A \* 3/2012 ..... A61M 16/06

(72) Inventors: **Alastair Edwin McAuley**, Auckland (NZ); **Christopher Earl Nightingale**, Auckland (NZ); **Aiden Mark Shotbott**, Highland Park (NZ)

*Primary Examiner* — Philip S Hyder  
*Assistant Examiner* — Darlington Ly  
(74) *Attorney, Agent, or Firm* — Knobbe, Martens, Olson & Bear, LLP

(73) Assignee: **Fisher & Paykel Healthcare Limited**, Auckland (NZ)

(21) Appl. No.: **29/445,407**

(57) **CLAIM**  
The ornamental design for a face mask, as shown and described.

(22) Filed: **Feb. 11, 2013**

**Related U.S. Patent Documents**

Reissue of:

(64) Patent No.: **Des. 584,400**  
Issued: **Jan. 6, 2009**  
Appl. No.: **29/210,289**  
Filed: **Jul. 29, 2004**

U.S. Applications:

(62) Division of application No. 29/382,614, filed on Jan. 5, 2011, which is an application for the reissue of Pat. No. Des. 584,400.

(51) **LOC (10) Cl.** ..... **29-02**

(52) **U.S. Cl.**  
USPC ..... **D24/110.1**

(58) **Field of Classification Search**  
USPC ..... D24/110.1, 110.4, 110.5, 164;  
128/205.25, 206.12, 206.21, 206.24,  
128/206.26, 206.27, 206.28, 207.11,  
128/207.13, 207.17

See application file for complete search history.

(56) **References Cited**

U.S. PATENT DOCUMENTS

D271,246 S 11/1983 Matheson et al.  
D303,587 S 9/1989 Quinn et al.

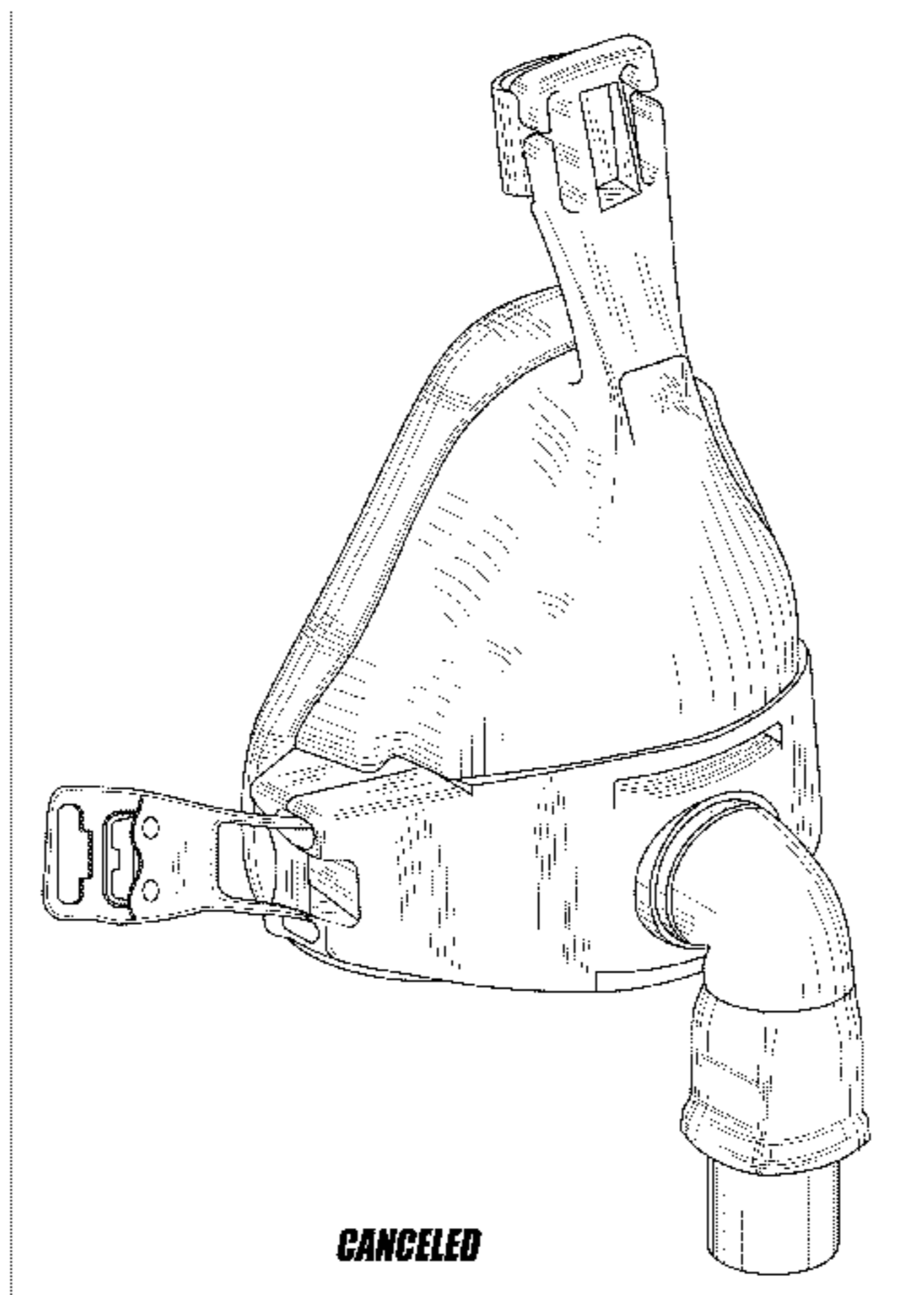
(Continued)

**DESCRIPTION**

[FIG. 1 is a perspective view of the face mask in accordance with our design;]  
[FIG. 2 is a front elevational view of the face mask;]  
[FIG. 3 is a left side elevational view of the face mask;]  
[FIG. 4 is a right side elevational view of the face mask;]  
[FIG. 5 is a top plan view of the face mask;]  
[FIG. 6 is a bottom plan view of the face mask; and,]  
[FIG. 7 is a rear elevational view of the face mask.]  
*FIG. 8 is a perspective view of the face mask in accordance with our design;*  
*FIG. 9 is a front elevational view of the face mask;*  
*FIG. 10 is a left side elevational view of the face mask;*  
*FIG. 11 is a right side elevational view of the face mask;*  
*FIG. 12 is a top plan view of the face mask;*  
*FIG. 13 is a bottom plan view of the face mask; and,*  
*FIG. 14 is a rear elevational view of the face mask.*  
*The broken lines in the drawings illustrate portions of the face mask that forms no part of the claimed design.*

**1 Claim, 14 Drawing Sheets**

**Matter enclosed in heavy brackets [ ] appears in the original patent but forms no part of this reissue; matter printed in italics indicates the additions made by reissue.**



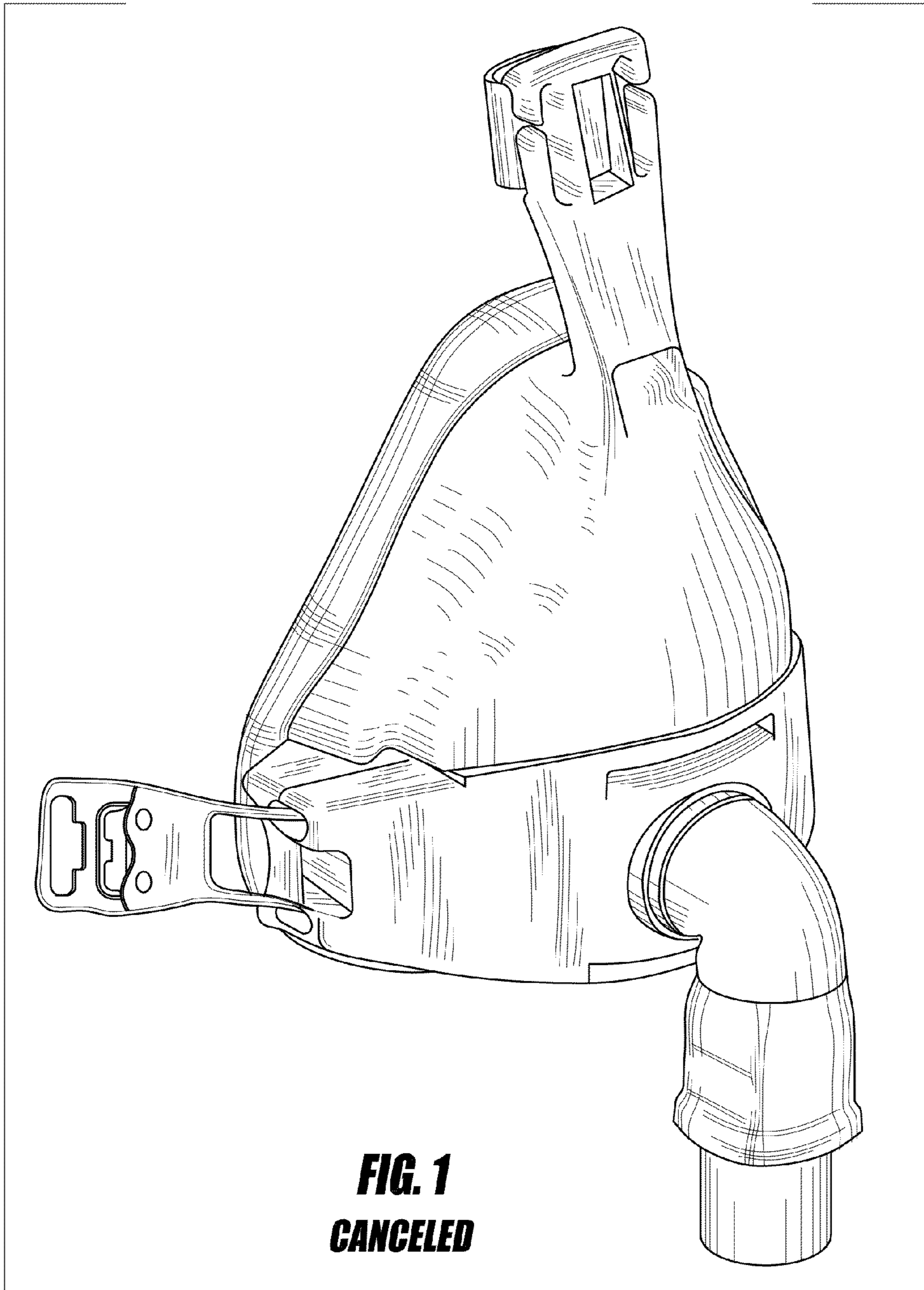
(56)

References Cited

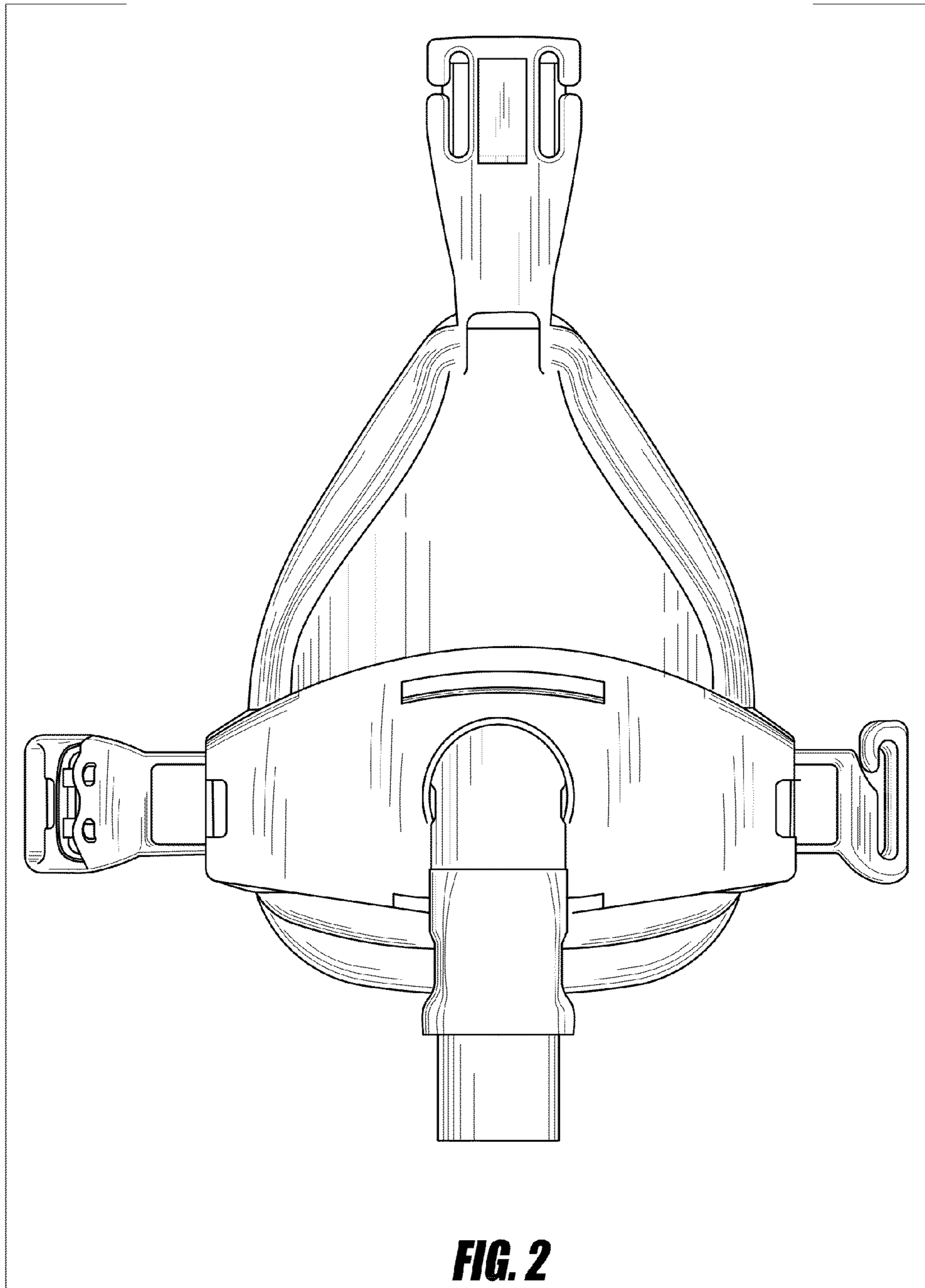
U.S. PATENT DOCUMENTS

|                   |         |                   |            |
|-------------------|---------|-------------------|------------|
| D305,166 S        | 12/1989 | Quinn et al.      |            |
| 4,960,121 A       | 10/1990 | Nelson et al.     |            |
| D323,908 S        | 2/1992  | Hollister et al.  |            |
| D349,586 S        | 8/1994  | Handke            |            |
| D397,215 S        | 8/1998  | Hoftman           |            |
| D476,732 S *      | 7/2003  | Smart             | D24/110.4  |
| D492,992 S *      | 7/2004  | Guney et al.      | D24/110.1  |
| D493,885 S *      | 8/2004  | Raje et al.       | D24/110.1  |
| D502,260 S *      | 2/2005  | Lang et al.       | D24/110.1  |
| 6,860,269 B2      | 3/2005  | Kwok et al.       |            |
| D506,827 S *      | 6/2005  | Jones et al.      | D24/110.1  |
| D507,831 S *      | 7/2005  | Rosenkranz et al. | D24/110.1  |
| 6,926,004 B2 *    | 8/2005  | Schumacher        | 128/206.27 |
| D515,204 S        | 2/2006  | Guney et al.      |            |
| D519,207 S        | 4/2006  | Raje et al.       |            |
| D549,332 S        | 8/2007  | Matsumoto et al.  |            |
| D555,785 S *      | 11/2007 | McAuley et al.    | D24/110.1  |
| D558,334 S        | 12/2007 | Stallard et al.   |            |
| D562,445 S *      | 2/2008  | McAuliffe et al.  | D24/110.1  |
| D583,930 S *      | 12/2008 | McAuley et al.    | D24/110.1  |
| D586,458 S        | 2/2009  | Kooij et al.      |            |
| D586,906 S        | 2/2009  | Stallard et al.   |            |
| D591,420 S        | 4/2009  | Selvarajan et al. |            |
| D593,675 S *      | 6/2009  | Brambilla et al.  | D24/110.1  |
| D594,112 S        | 6/2009  | Nga et al.        |            |
| D595,840 S *      | 7/2009  | Davidson et al.   | D24/110.1  |
| D595,841 S *      | 7/2009  | McAuley et al.    | D24/110.1  |
| D597,202 S        | 7/2009  | Reid et al.       |            |
| D597,660 S        | 8/2009  | Maurer            |            |
| D597,661 S        | 8/2009  | Reid et al.       |            |
| D612,932 S        | 3/2010  | Davidson et al.   |            |
| D614,291 S *      | 4/2010  | Guney et al.      | D24/110.1  |
| D617,892 S *      | 6/2010  | Brambilla et al.  | D24/110.1  |
| D624,642 S *      | 9/2010  | Collazo et al.    | D24/110.1  |
| D665,494 S        | 8/2012  | Stallard et al.   |            |
| D687,538 S *      | 8/2013  | Collazo et al.    | D24/110.1  |
| D693,462 S *      | 11/2013 | Rothermel et al.  | D24/110.4  |
| 2003/0034034 A1 * | 2/2003  | Kwok et al.       | 128/206.21 |
| 2004/0118406 A1   | 6/2004  | Lithgow et al.    |            |
| 2013/0239972 A1 * | 9/2013  | McAuley et al.    | 128/205.25 |

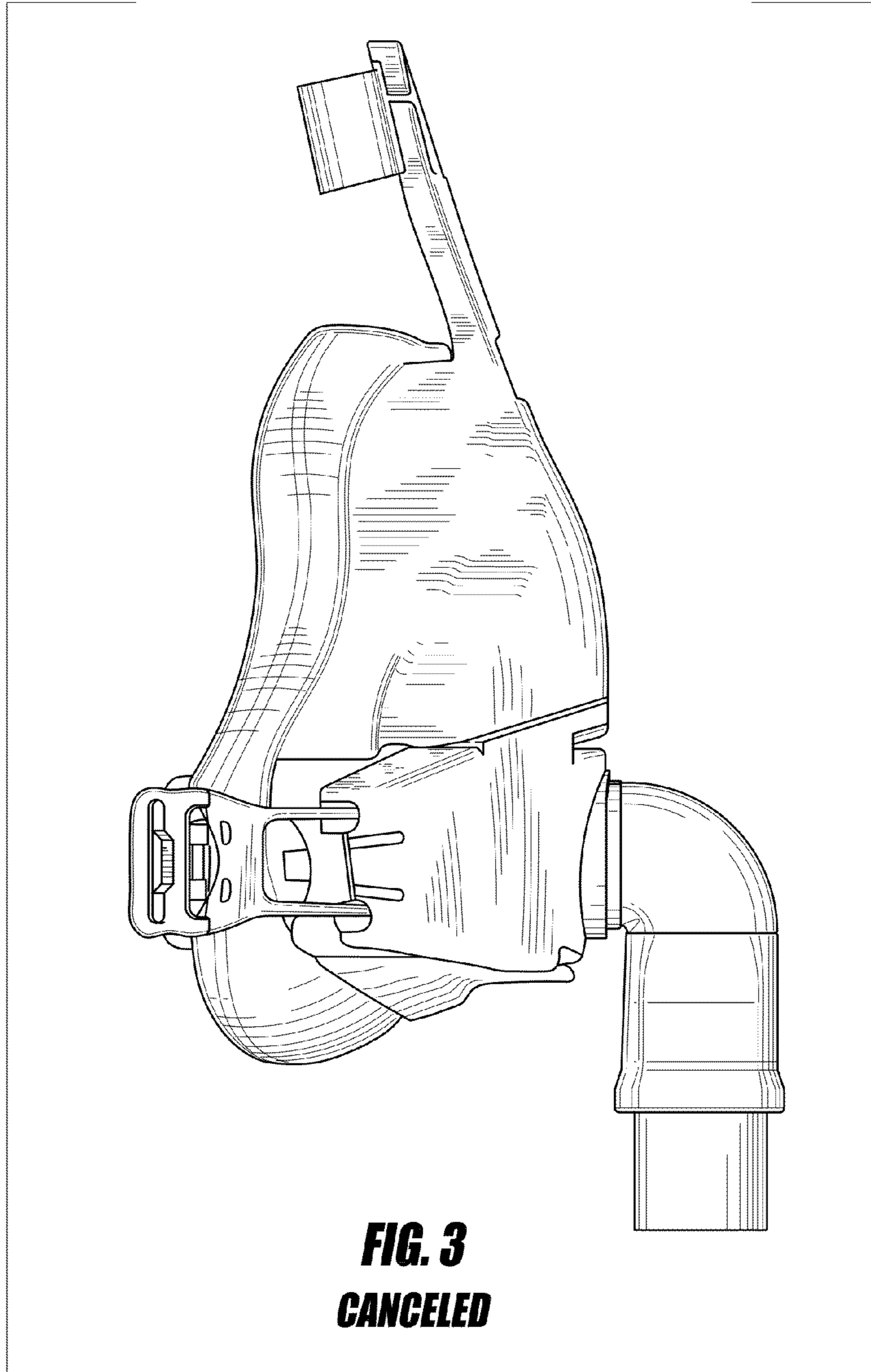
\* cited by examiner

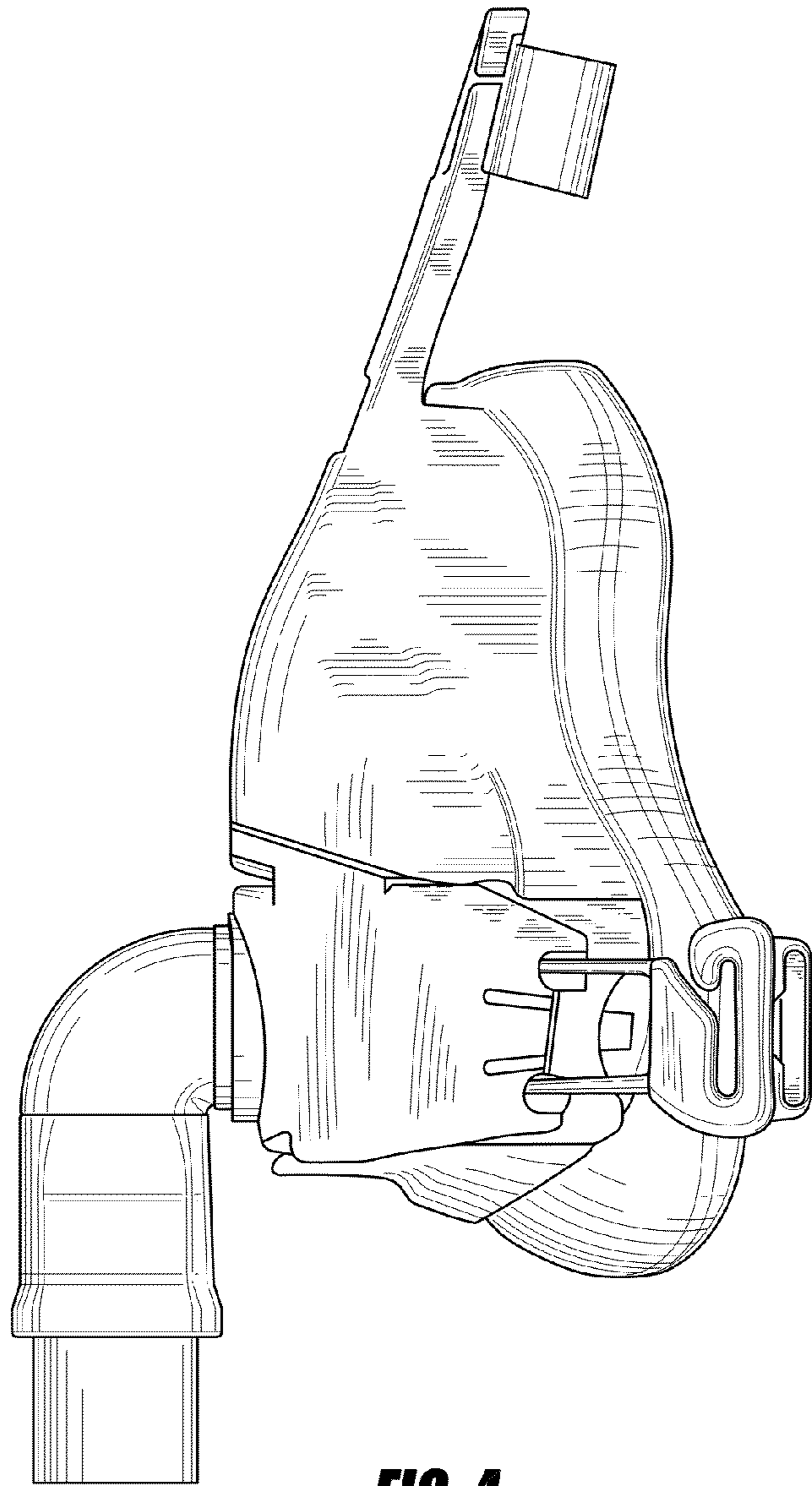


**FIG. 1**  
**CANCELED**

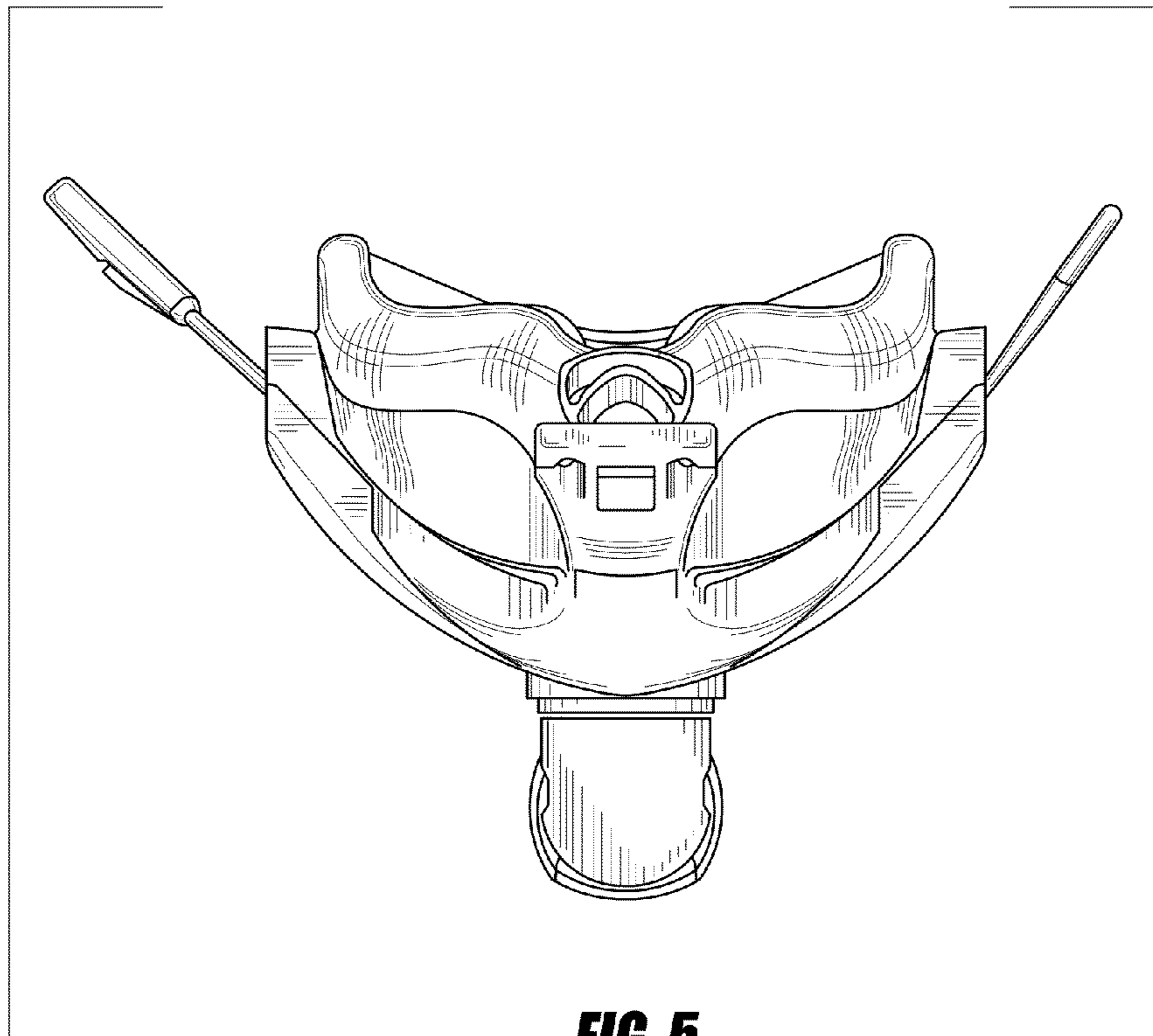


**FIG. 2**  
**CANCELED**

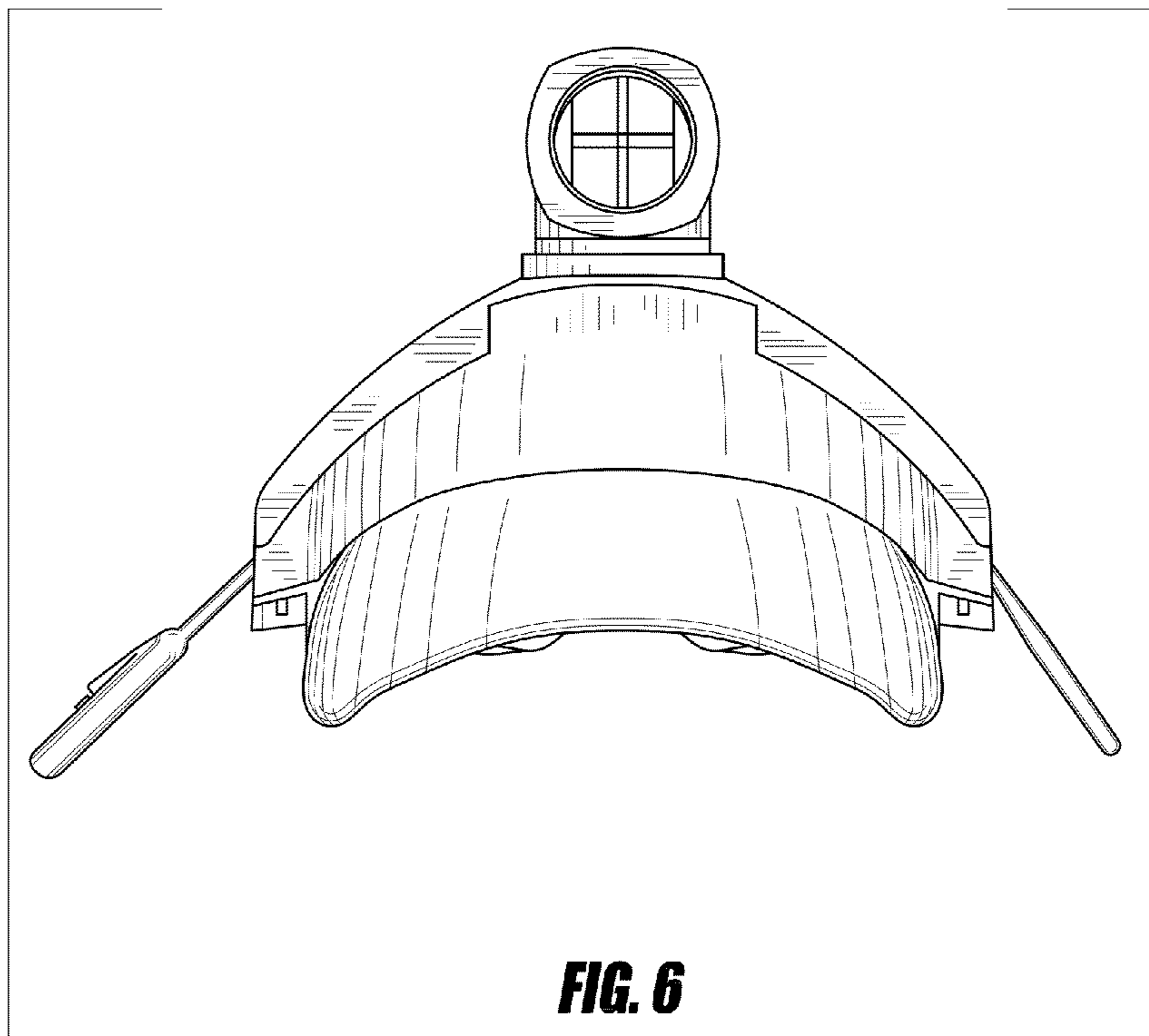




**FIG. 4**  
**CANCELED**

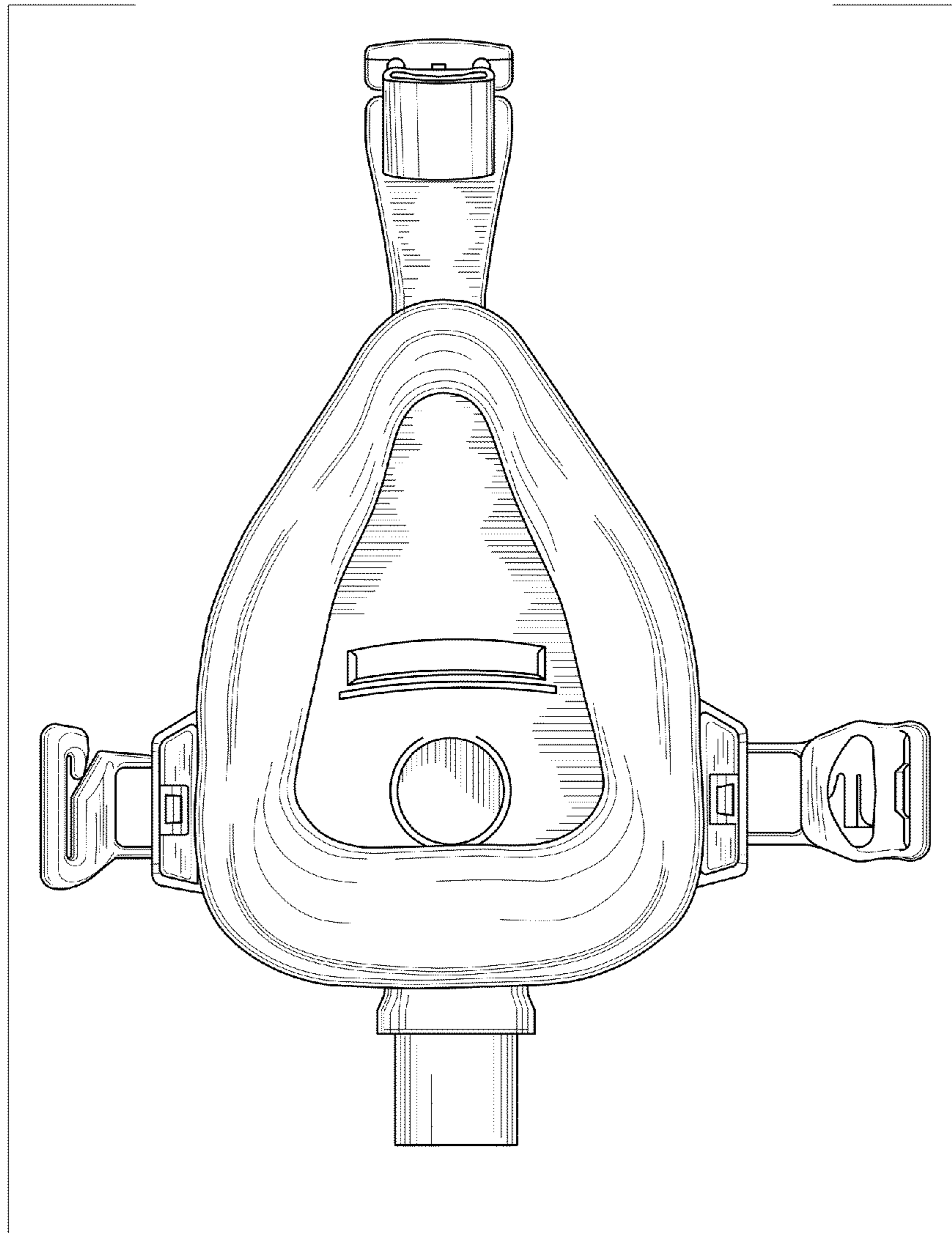


**FIG. 5**  
**CANCELED**

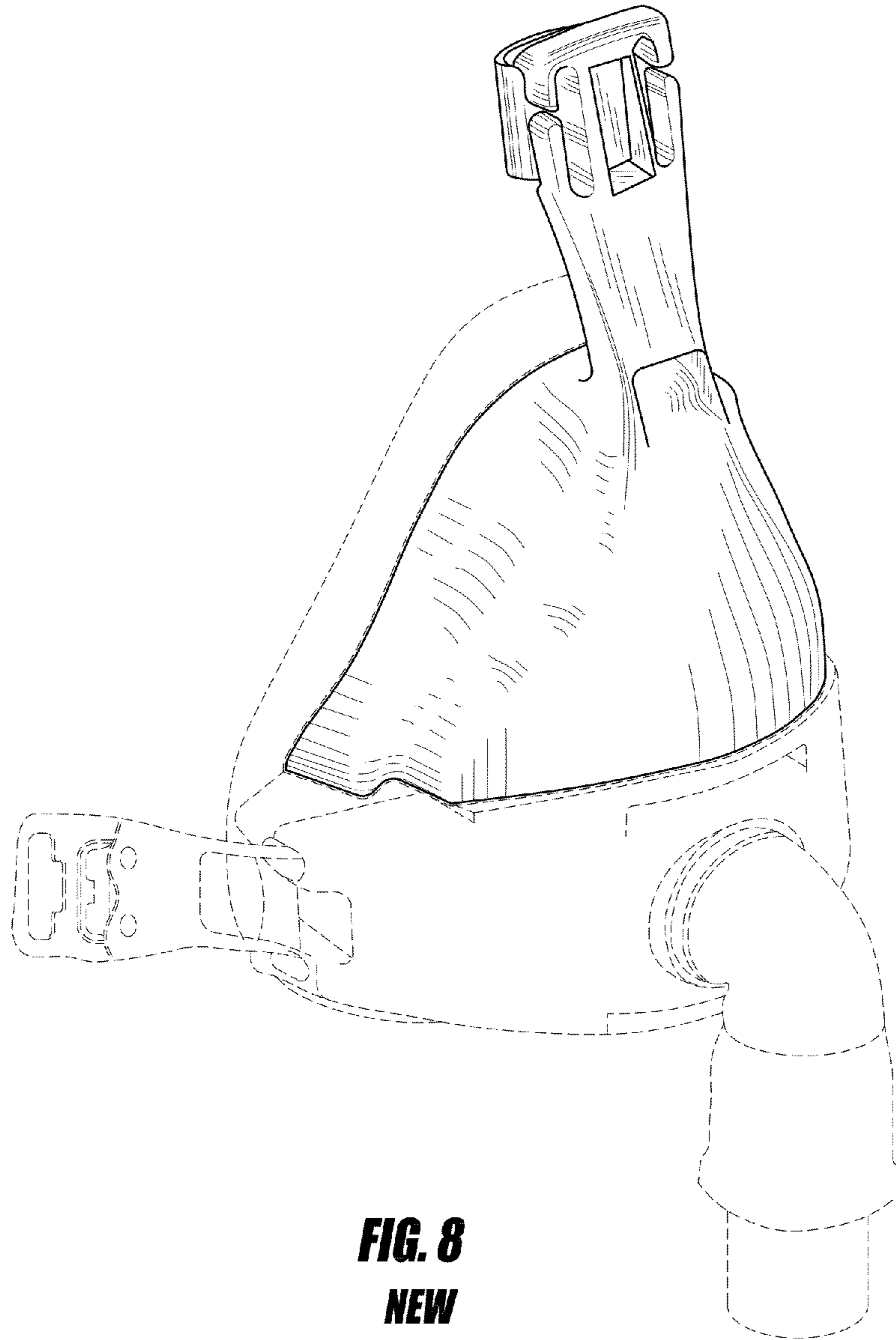


**FIG. 6**  
**CANCELED**

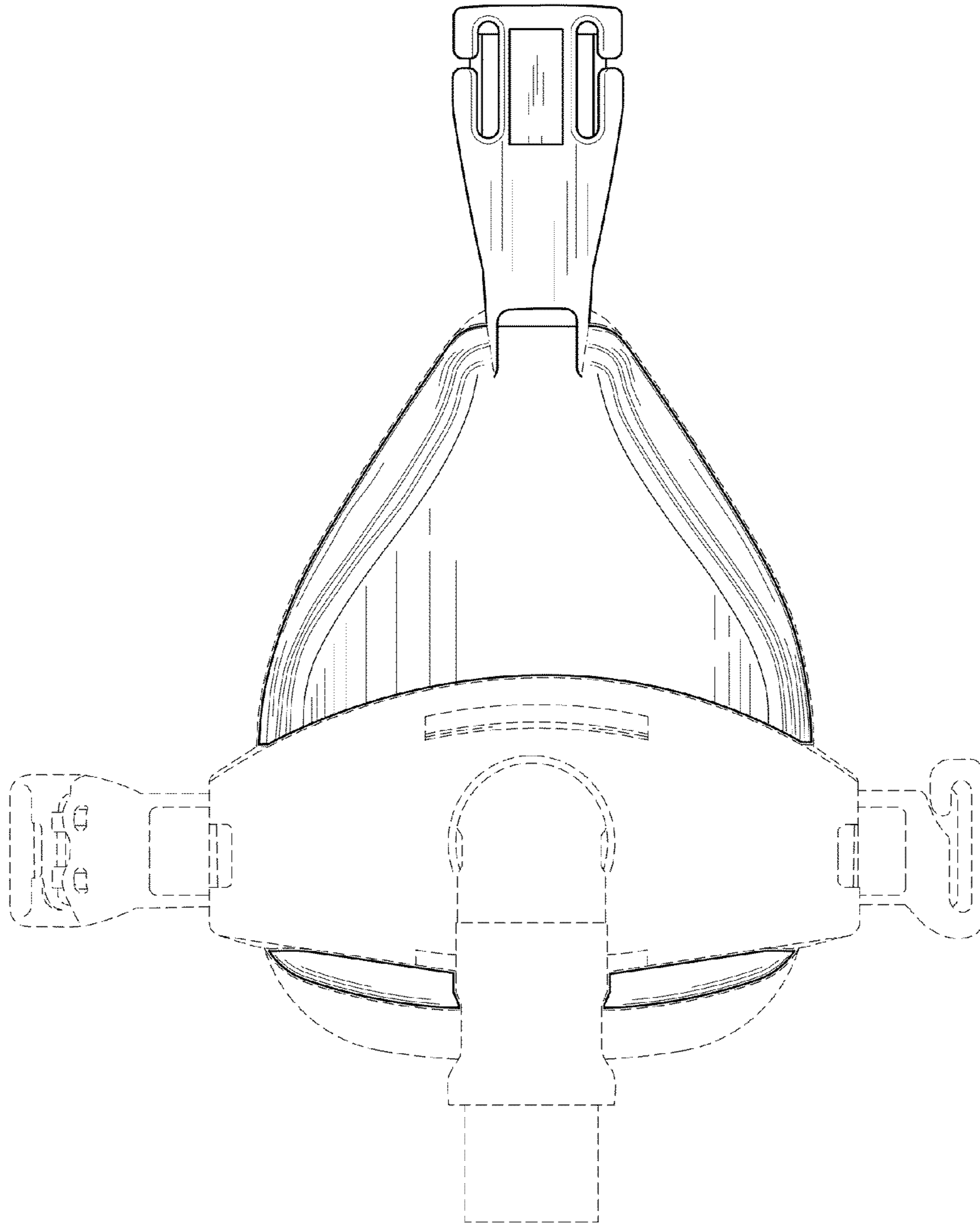




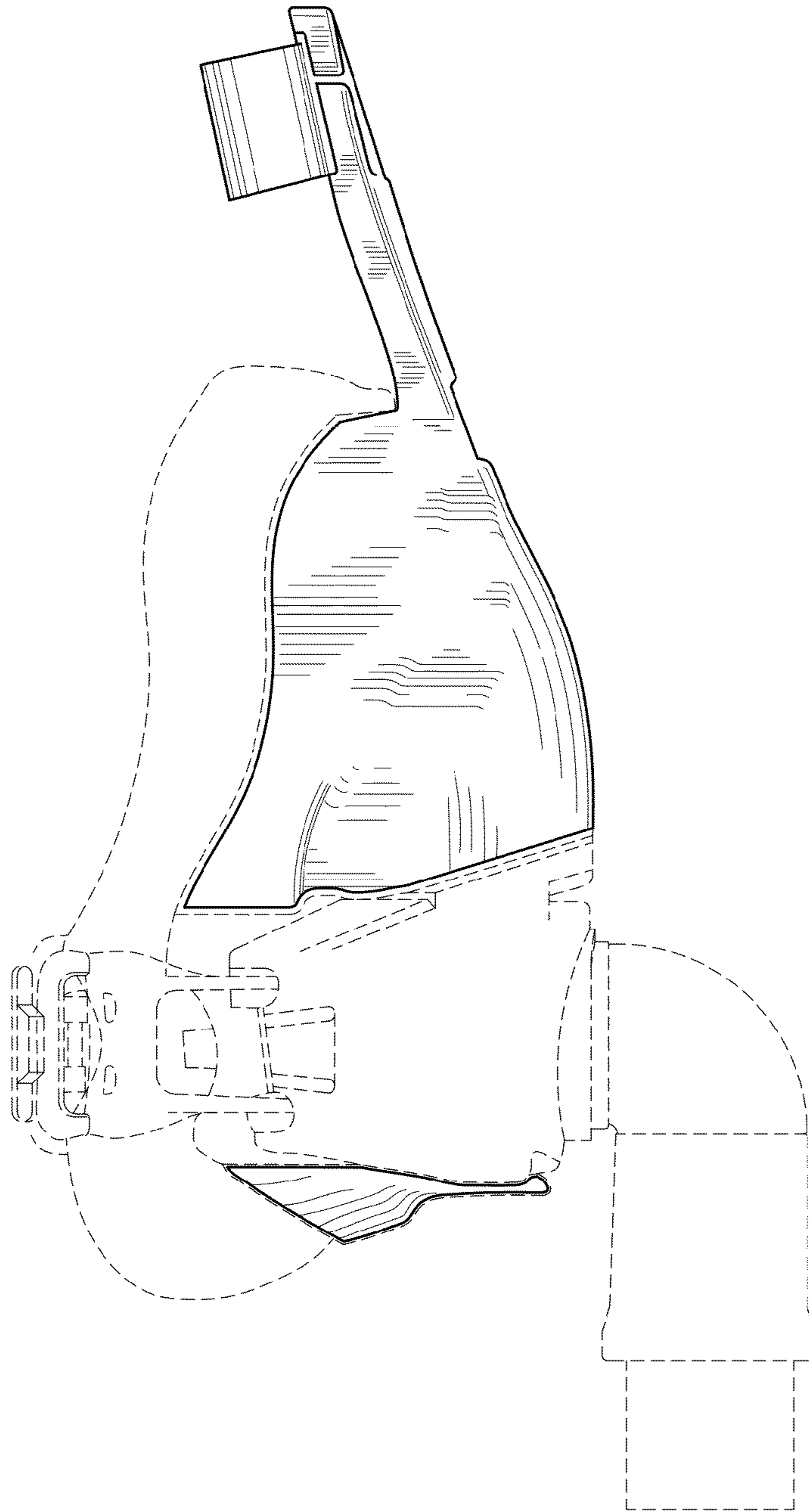
**FIG. 7**  
**CANCELED**



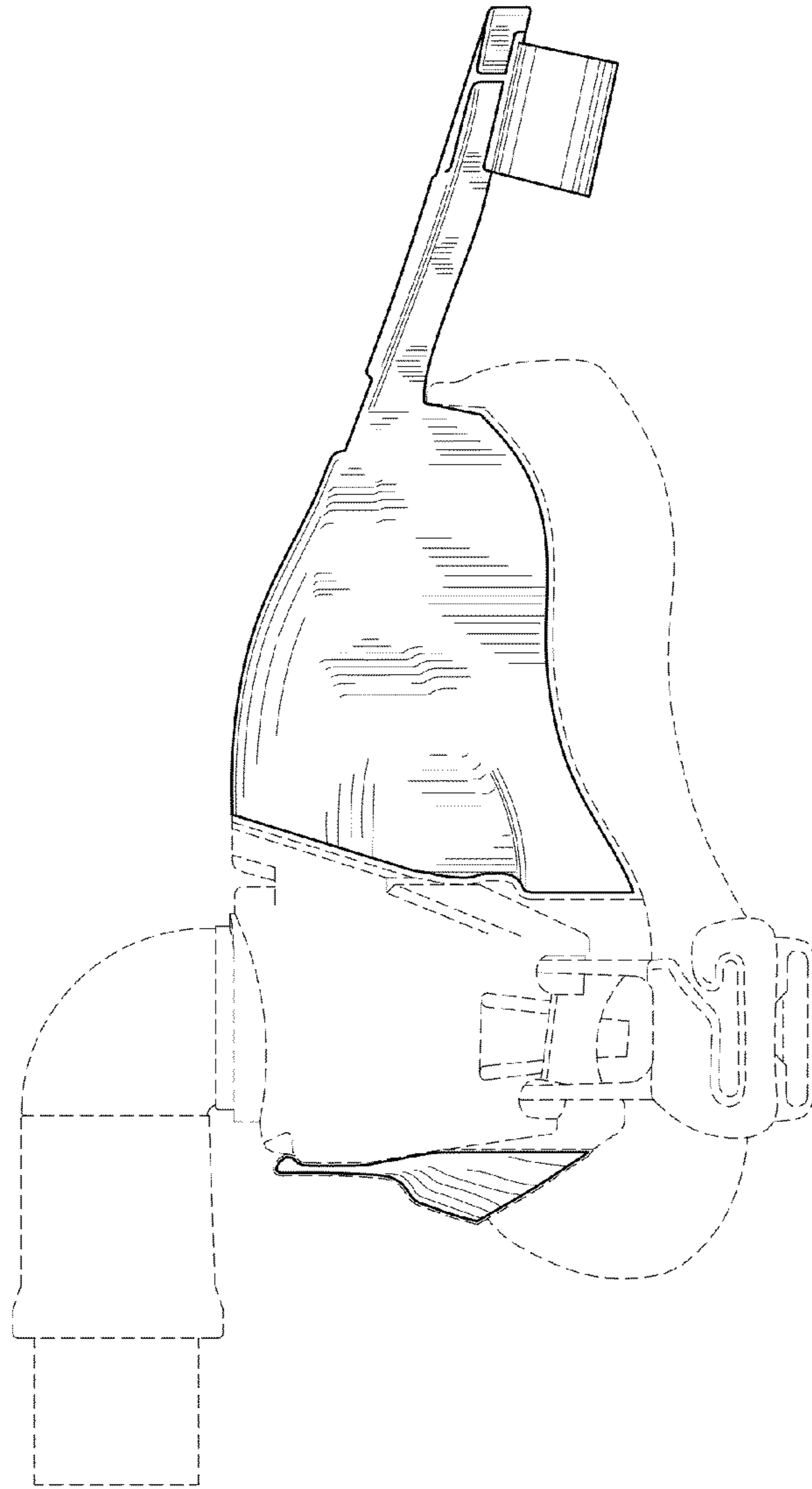
**FIG. 8**  
**NEW**



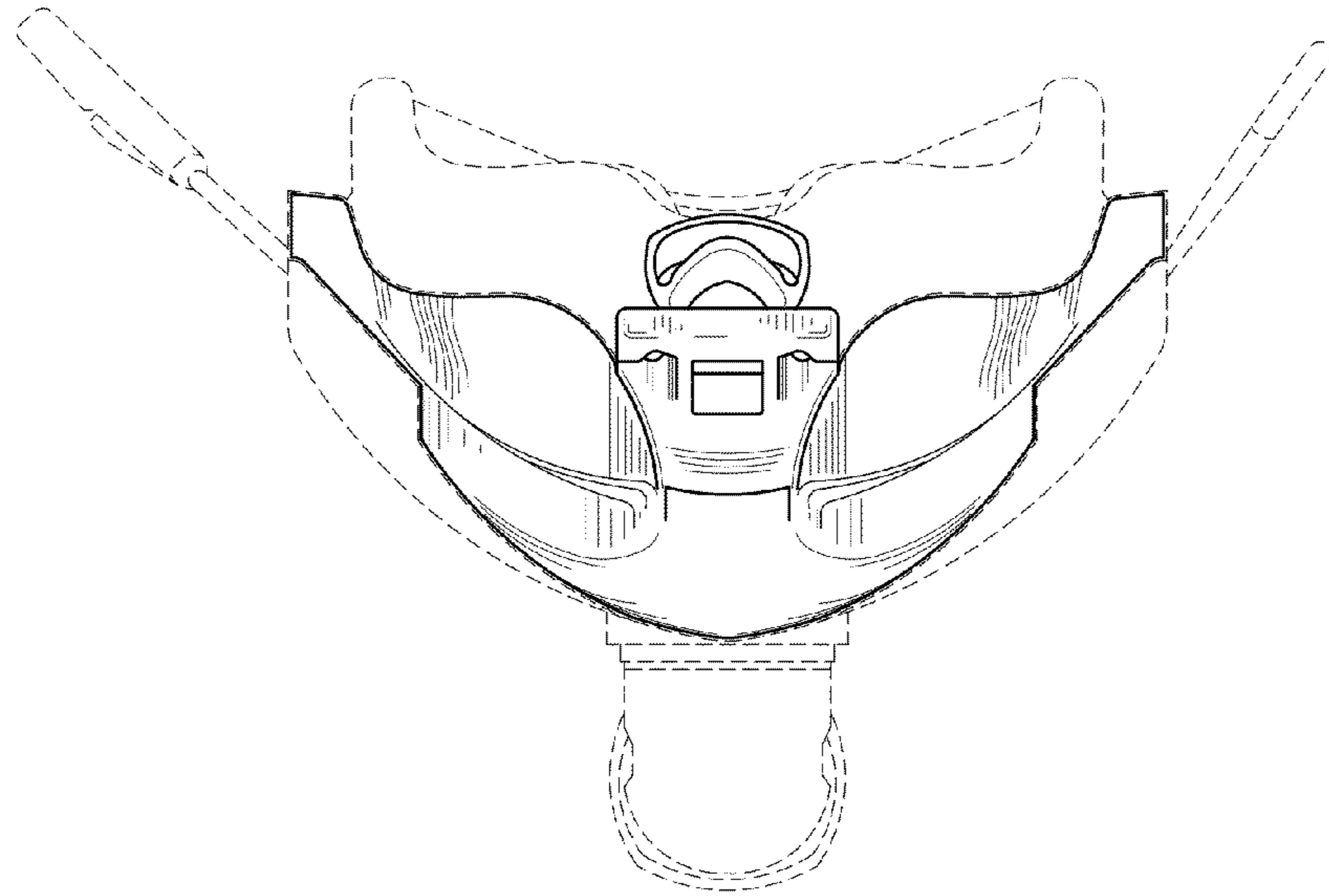
**FIG. 9**  
**NEW**



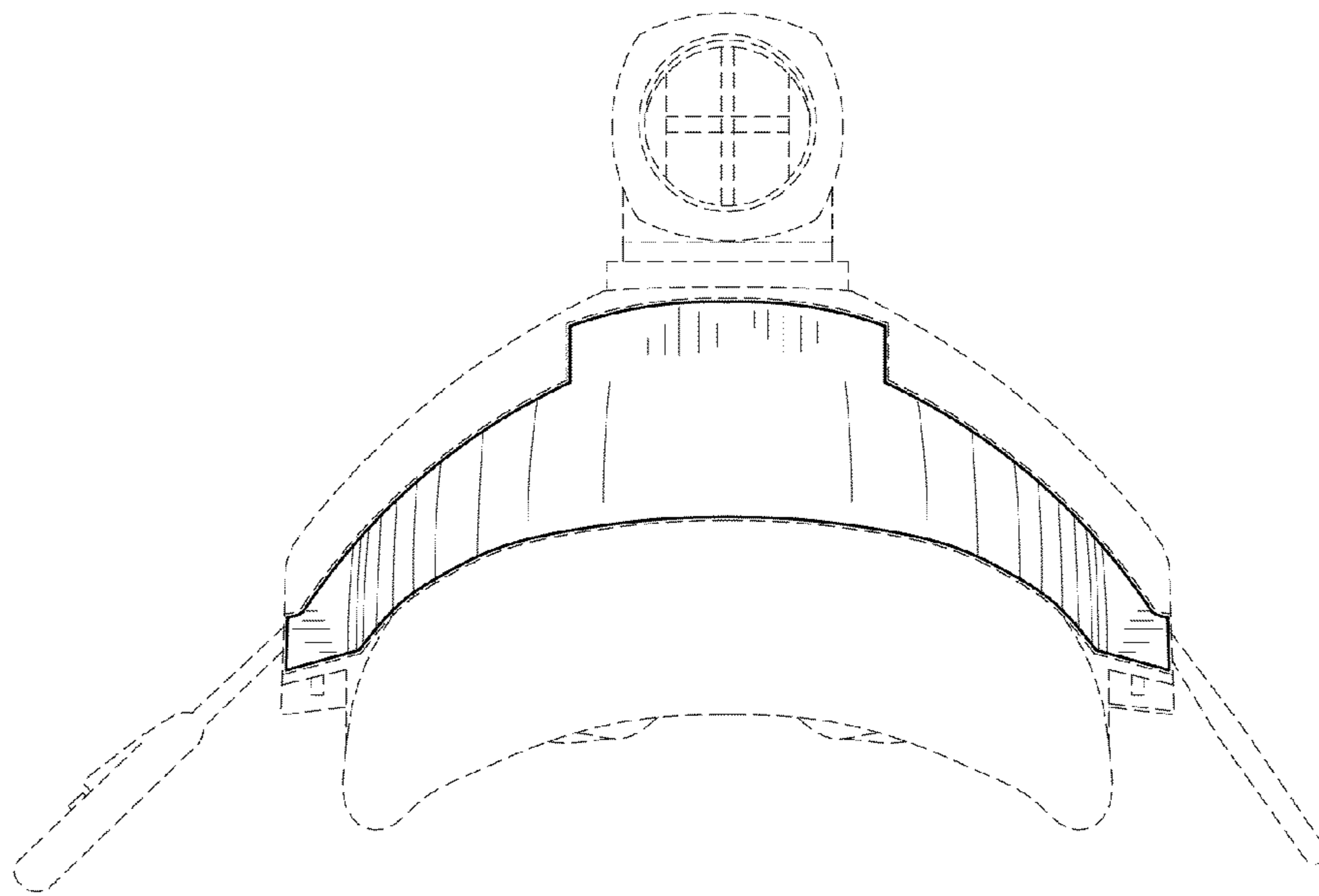
**FIG. 10**  
**NEW**



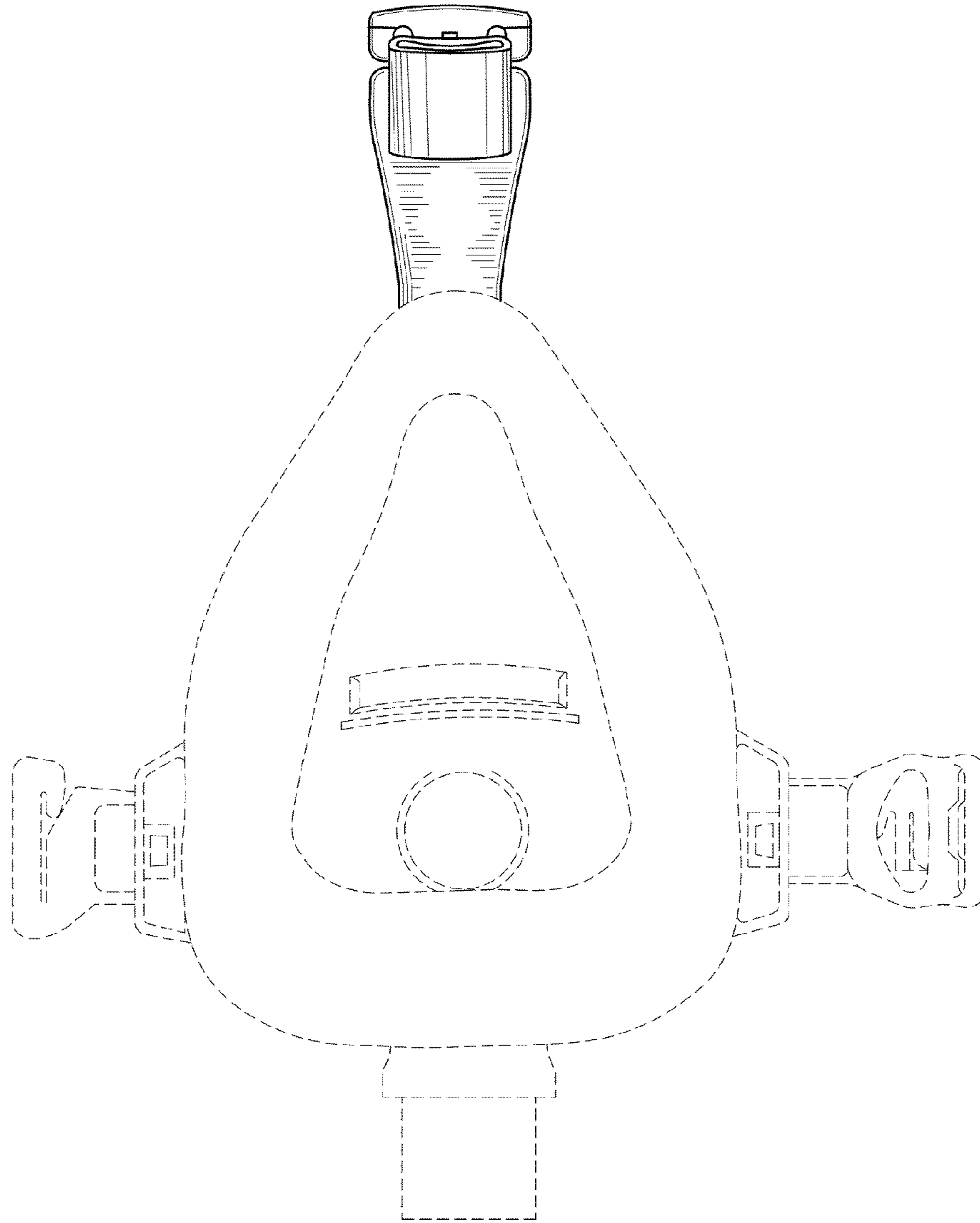
**FIG. 11**  
**NEW**



**FIG. 12**  
**NEW**



**FIG. 13**  
**NEW**



**FIG. 14**  
**NEW**



UNITED STATES PATENT AND TRADEMARK OFFICE  
**CERTIFICATE OF CORRECTION**

PATENT NO. : RE45,836 E  
APPLICATION NO. : 29/445407  
DATED : January 12, 2016  
INVENTOR(S) : Alastair Edwin McAuley et al.

Page 1 of 1

It is certified that error appears in the above-identified patent and that said Letters Patent is hereby corrected as shown below:

TITLE PAGE

Page 1 (item 72, Inventors) at line 3, Change "Aiden Mark Shotbott," to --Aidan Mark Shotbolt,--.

Signed and Sealed this  
Sixth Day of September, 2016



Michelle K. Lee  
*Director of the United States Patent and Trademark Office*