

US00RE45820E

(19) **United States**  
(12) **Reissued Patent**  
**Jiang et al.**

(10) **Patent Number:** **US RE45,820 E**  
(45) **Date of Reissued Patent:** **Dec. 22, 2015**

- (54) **TUB FOR BATHING**
- (71) Applicant: **Kohler Co.**, Kohler, WI (US)
- (72) Inventors: **Mimi Jiang**, Shanghai (CN); **Timothy E. Hoh**, Lions Bay (CA)
- (73) Assignee: **KOHLER CO.**, Kohler, WI (US)
- (21) Appl. No.: **29/454,755**
- (22) Filed: **May 14, 2013**

**Related U.S. Patent Documents**

Reissue of:

- (64) Patent No.: **Des. 638,107**  
Issued: **May 17, 2011**  
Appl. No.: **29/368,280**  
Filed: **Aug. 20, 2010**
- (51) **LOC (10) Cl.** ..... **23-02**
- (52) **U.S. Cl.**  
USPC ..... **D23/277**
- (58) **Field of Classification Search**  
USPC ..... D23/277, 280.1, 303-304; D24/204;  
4/538, 573.1, 575.1  
CPC ..... A47K 3/022  
See application file for complete search history.

(56) **References Cited**

**U.S. PATENT DOCUMENTS**

3,863,275	A	2/1975	Brendgord et al.	
D274,455	S	6/1984	Cuttriss	
D323,378	S	1/1992	Delepine	
D446,574	S *	8/2001	Thomas et al.	D23/280.1
6,360,380	B1	3/2002	Swart et al.	
D462,113	S	8/2002	Marshall et al.	
6,637,051	B1 *	10/2003	Swart	4/688
6,993,415	B2 *	1/2006	Bauer et al.	700/282
D524,924	S *	7/2006	Lanius	D23/277
D524,926	S *	7/2006	Lebrun et al.	D23/280.1
D527,083	S *	8/2006	Lebrun et al.	D23/280.1
D539,393	S *	3/2007	Hashida	D23/277
D558,860	S *	1/2008	Breymaier et al.	D23/277
D567,914	S *	4/2008	Ishiyama et al.	D23/277
D576,715	S *	9/2008	Breymaier et al.	D23/277

(Continued)

**OTHER PUBLICATIONS**

“Askew Freestanding Bath K-1801 by Kohler.” Product Catalog and Specification., Dec. 22, 2011 [online], [retrieved on Jun. 6, 2014]. Retrieved from the Internet <URL: [http://www.us.kohler.com/webassets/kpna/catalog/pdf/en/1145129\\_4.pdf](http://www.us.kohler.com/webassets/kpna/catalog/pdf/en/1145129_4.pdf)>.\*  
Kohler Co. “Underscore” Bubble Massage Bath—6”; Kohler Co. online catalog; copyright 2010 Kohler Co.; 2 pages.  
Neptune “Bora”; HomePortfolio online catalog; copyright 1997-2010 HomePortfolio Inc.; 1 page.  
Signature Aire Dana Acrylic Round Soaking Air Bath Tub; SignatureHardware.com online catalog; copyright 1999-2009; SignatureHardware.com or its affiliates; 1 page.  
Kohler Co. “Inscribe Wading Pool Lavatory”; Model No. 2388; Kohler online catalog; copyright 2010 Kohler Co.; 2 pages.  
Kohler Co. “Yin-Yang Wading Pool Lavatory”; Model Nos. K-2353 and K-2354; Kohler Co. online catalog; copyright 2010 Kohler Co.; 3 pages.

*Primary Examiner* — Philip S Hyder  
*Assistant Examiner* — Darlington Ly  
(74) *Attorney, Agent, or Firm* — Foley & Lardner LLP

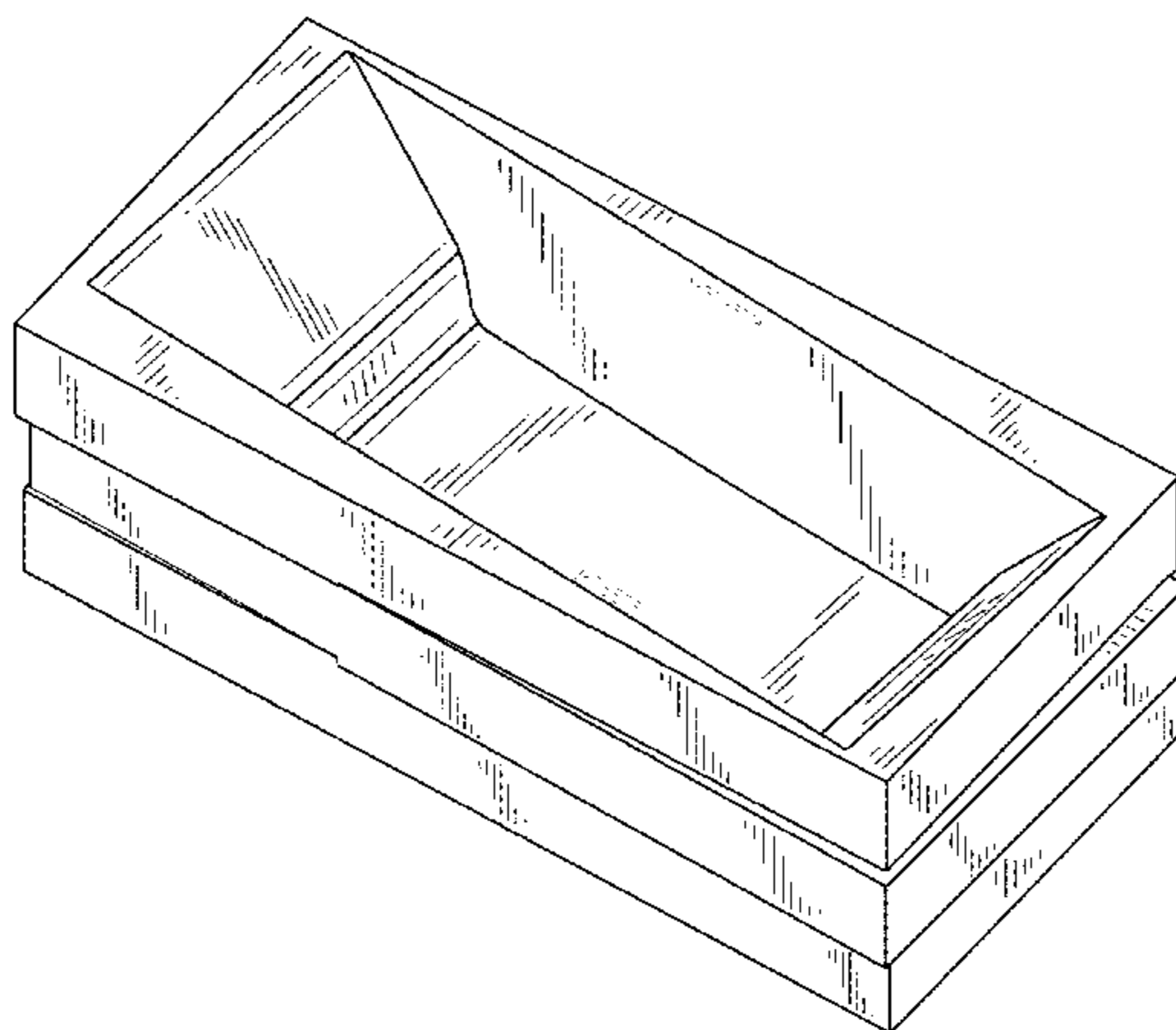
(57) **CLAIM**  
The ornamental design for a tub for bathing, as shown and described.

**DESCRIPTION**

FIG. 1 is a right, top, front [perspective] *isometric* view of a tub for bathing embodying our new design;  
FIG. 2 is a top plan view thereof;  
FIG. 3 is a front elevational view thereof;  
FIG. 4 is a rear elevational view thereof;  
FIG. 5 is a right side elevational view thereof;  
FIG. 6 is a left side elevational view thereof;  
FIG. 7 is a bottom plan view thereof; and,  
FIG. 8 is sectional view taken along line 8-8 of FIG. 2.  
The broken line representations in the figures are for the purpose of illustration only, and form no part of the claimed design.  
In a preferred embodiment, the nature of this product is as a plumbing fixture in the form of a bathing tub primary useful for washing the human body.

**1 Claim, 8 Drawing Sheets**

**Matter enclosed in heavy brackets [ ] appears in the original patent but forms no part of this reissue; matter printed in italics indicates the additions made by reissue.**



# US RE45,820 E

Page 2

---

(56)

## References Cited

### U.S. PATENT DOCUMENTS

D577,108 S \* 9/2008 Piatt ..... D23/277  
D594,940 S \* 6/2009 Bates ..... D23/277  
D595,817 S \* 7/2009 Stanchak et al. .... D23/277

D610,656 S 2/2010 Terrell  
D633,603 S \* 3/2011 Su ..... D23/280.1  
D642,663 S \* 8/2011 Dosne ..... D23/304  
7,992,234 B2 \* 8/2011 Bates et al. .... 4/579  
D701,595 S \* 3/2014 Blum ..... D23/304

\* cited by examiner

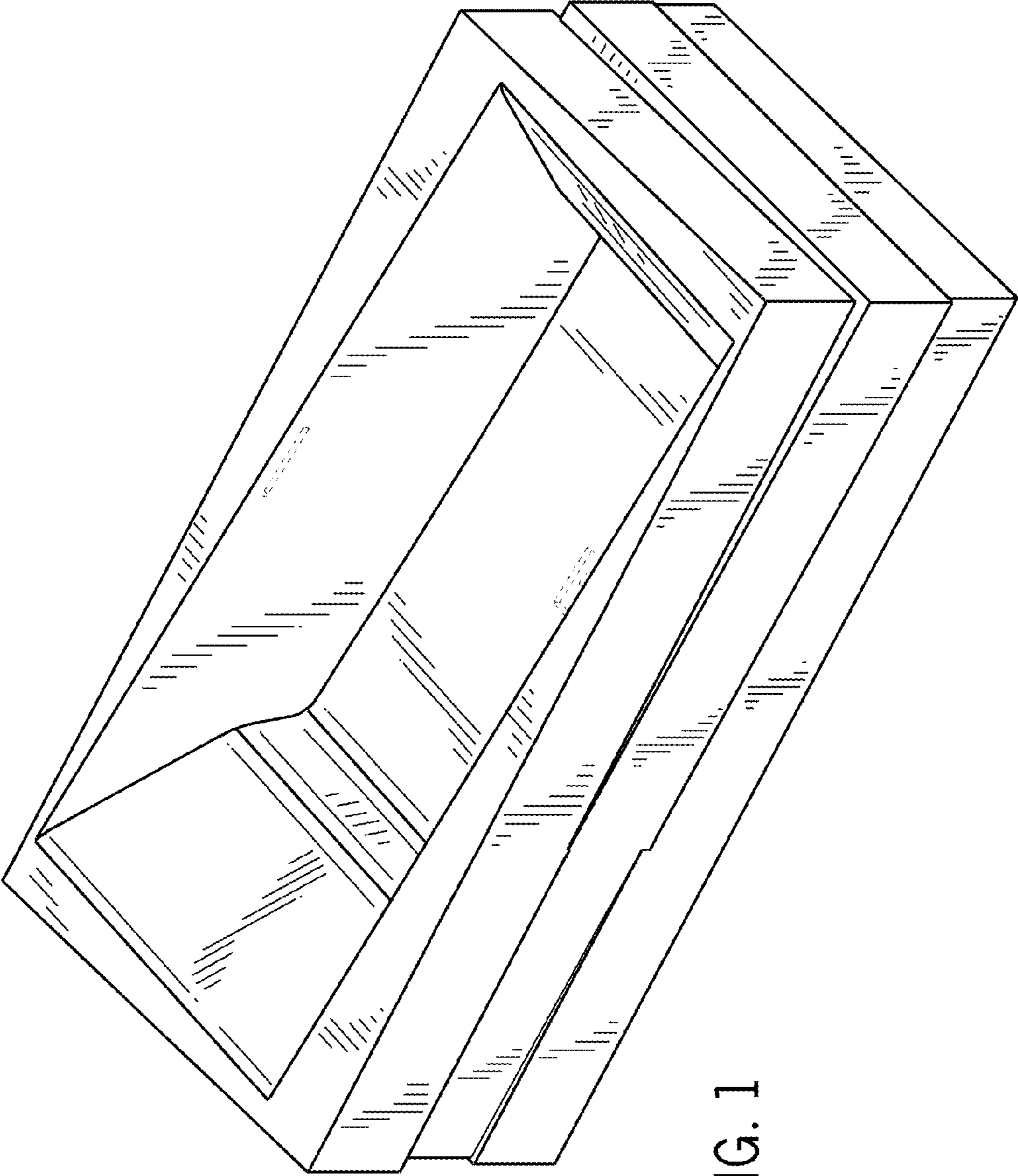


FIG. 1

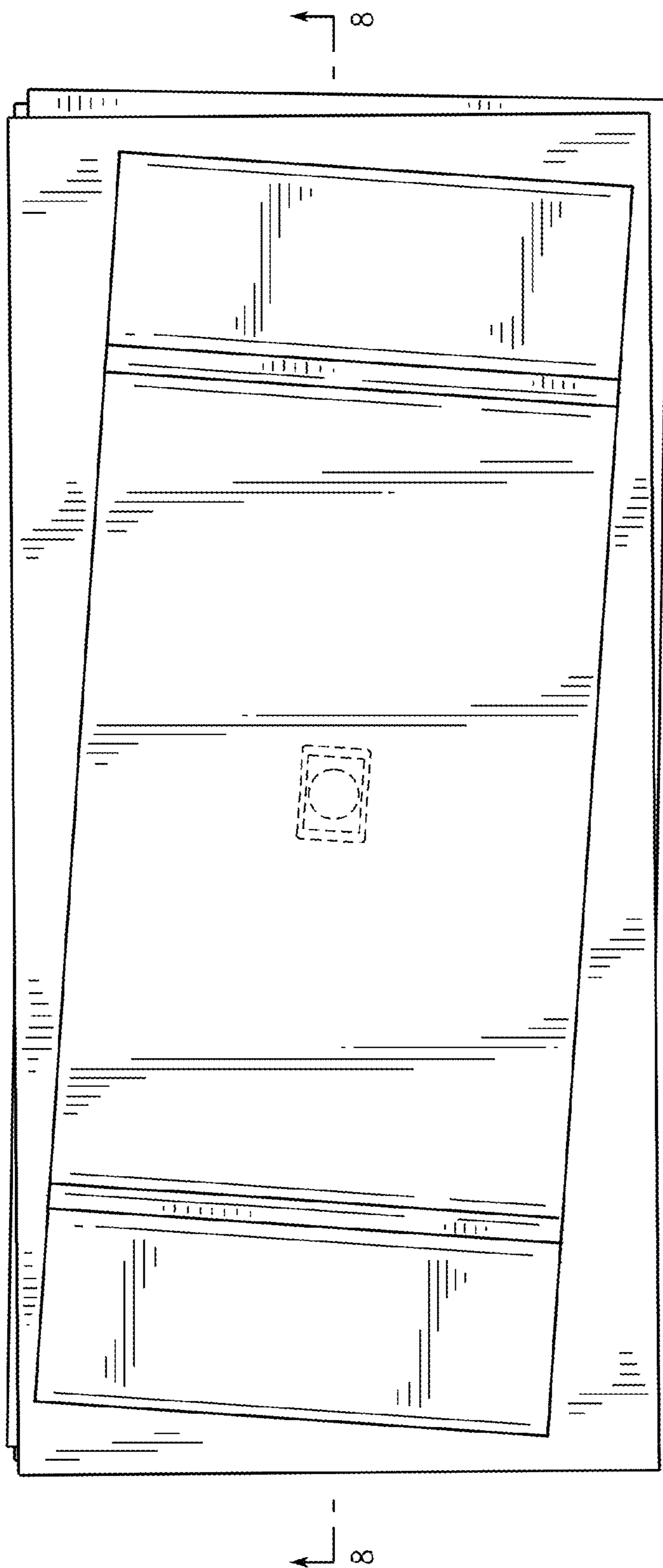


FIG. 2

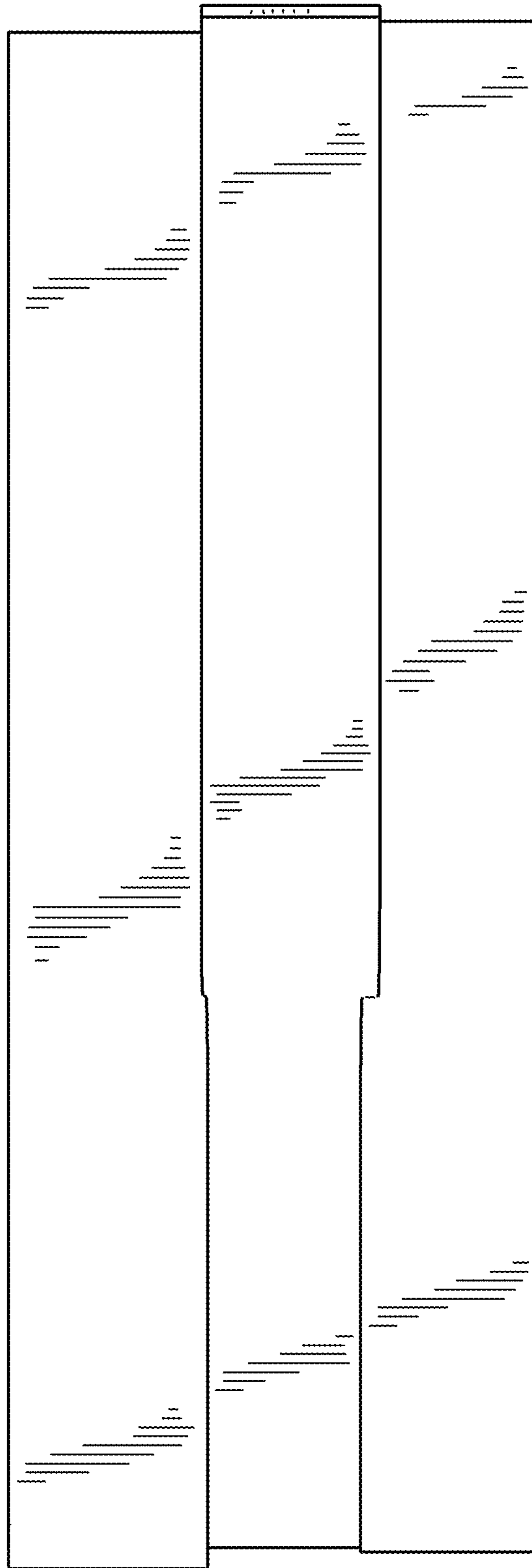


FIG. 3

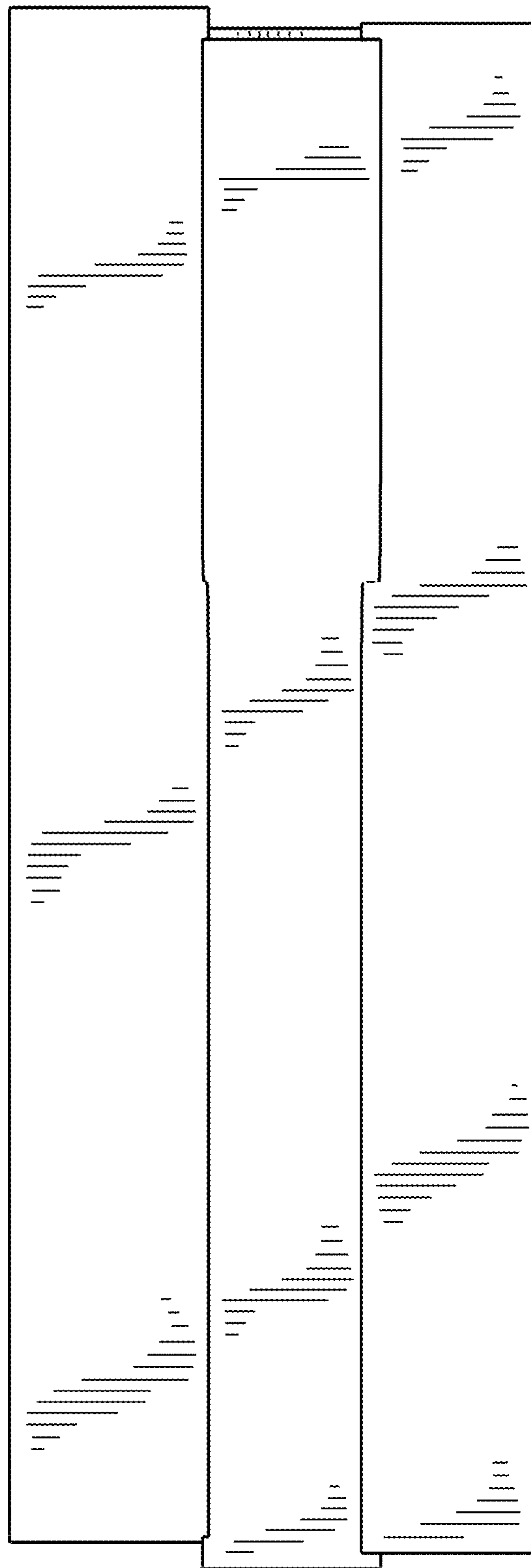


FIG. 4

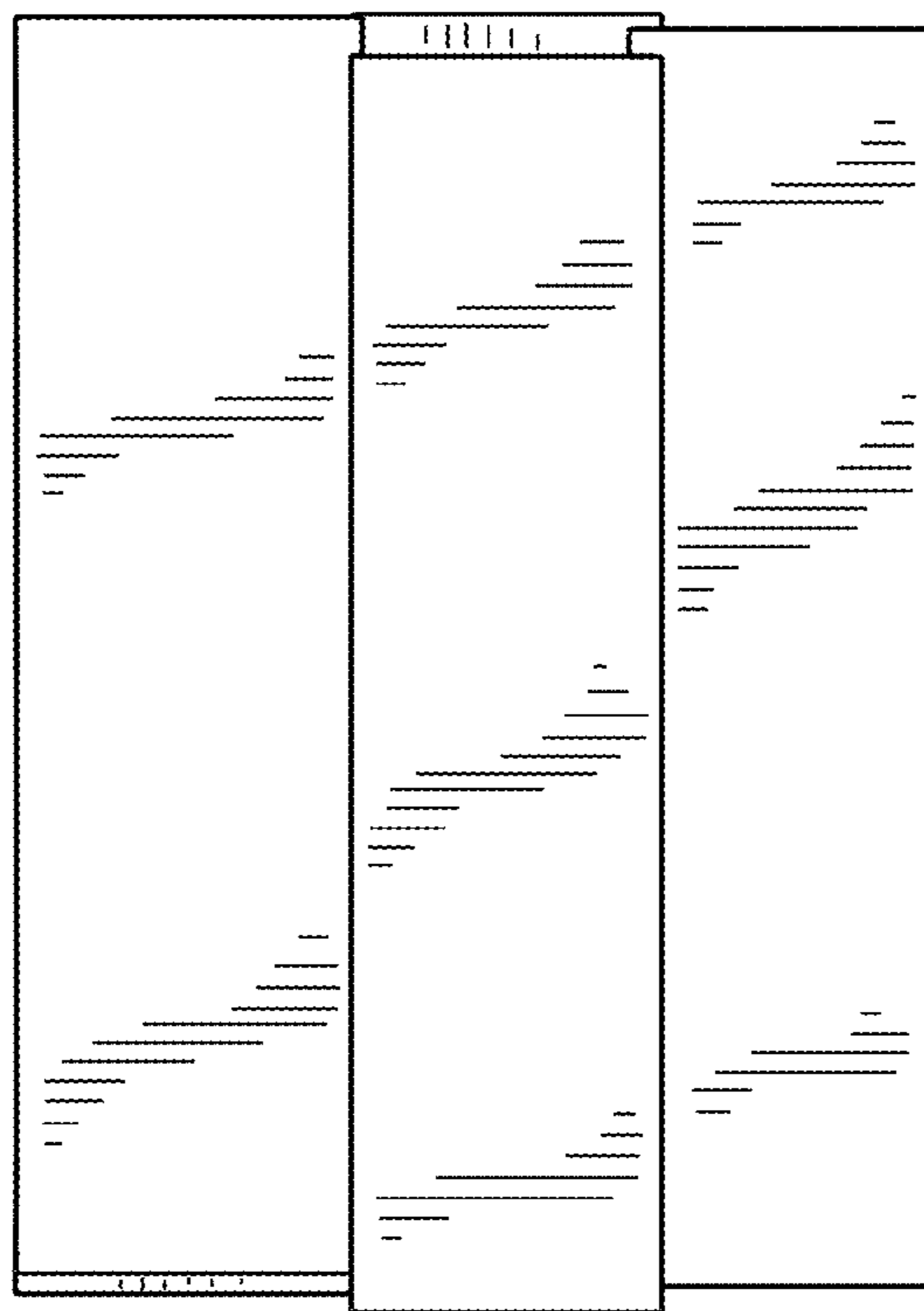


FIG. 5

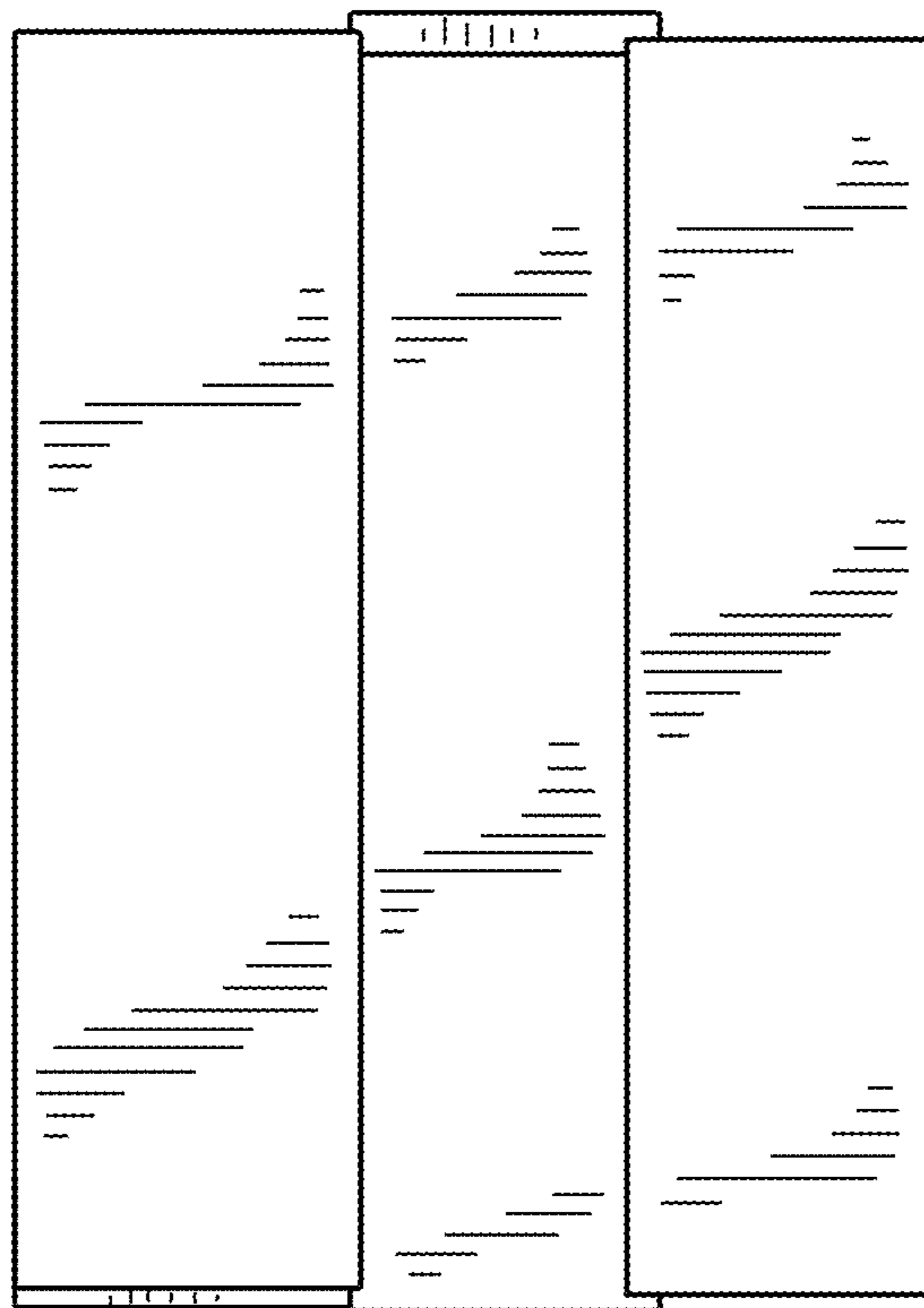


FIG. 6



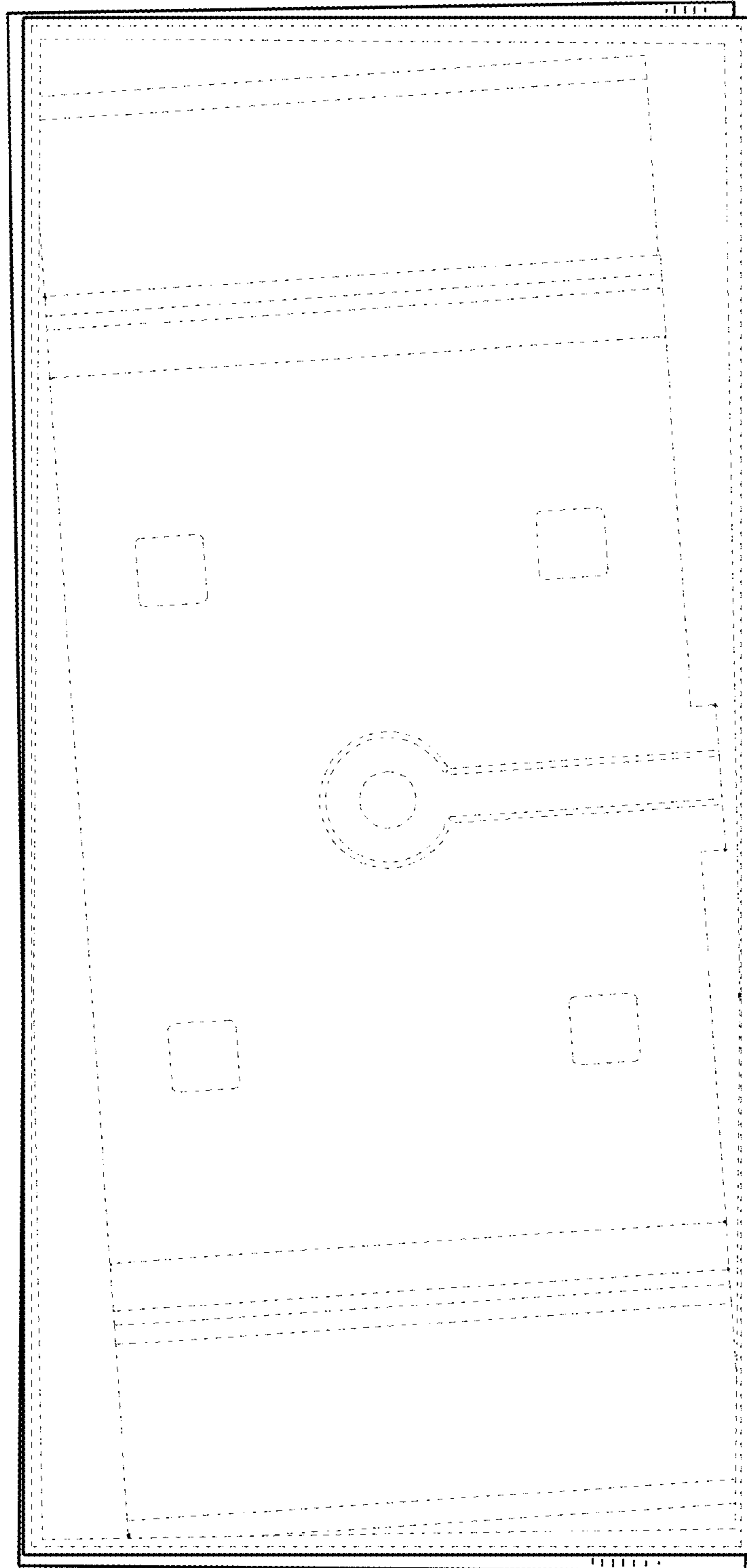


FIG. 7

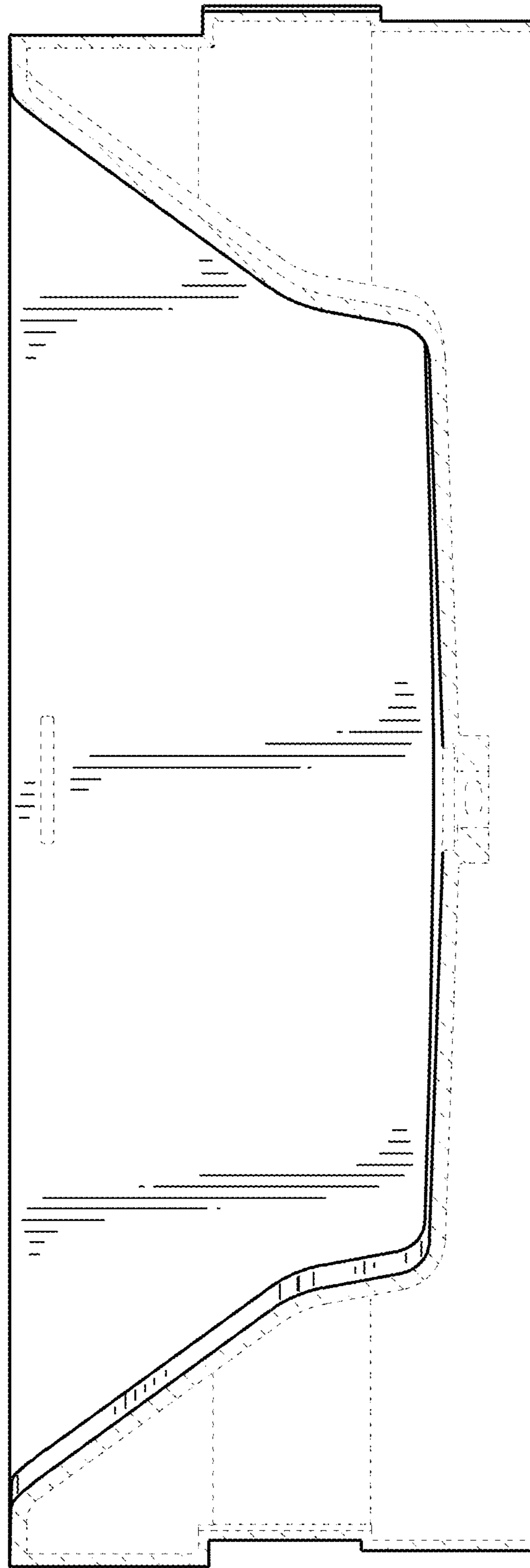


FIG. 8