



US00RE45816E

(19) **United States**  
(12) **Reissued Patent**  
**Andre et al.**

(10) **Patent Number:** **US RE45,816 E**  
(45) **Date of Reissued Patent:** **\*Dec. 8, 2015**

(54) **ELECTRONIC DEVICE**

(75) Inventors: **Bartley K. Andre**, Palo Alto, CA (US); **Daniel J. Coster**, San Francisco, CA (US); **Daniele De Iuliis**, San Francisco, CA (US); **Richard P. Howarth**, San Francisco, CA (US); **Jonathan P. Ive**, San Francisco, CA (US); **Steven Jobs**, Palo Alto, CA (US); **BJ Watrous**, legal representative, Cupertino, CA (US); **Duncan Robert Kerr**, San Francisco, CA (US); **Shin Nishibori**, Kailua, HI (US); **Matthew Dean Rohrbach**, San Francisco, CA (US); **Douglas B. Satzger**, San Francisco, CA (US); **Calvin Q. Seid**, Palo Alto, CA (US); **Vincent Keane Seid**, legal representative, Los Gatos, CA (US); **Christopher J. Stringer**, Woodside, CA (US); **Eugene Antony Whang**, San Francisco, CA (US)

(73) Assignee: **Apple Inc.**, Cupertino, CA (US)

(\*) Notice: This patent is subject to a terminal disclaimer.

(21) Appl. No.: **29/327,929**

(22) Filed: **Nov. 14, 2008**

**Related U.S. Patent Documents**

Reissue of:

(64) Patent No.: **Des. 532,011**  
Issued: **Nov. 14, 2006**  
Appl. No.: **29/208,332**  
Filed: **Jun. 24, 2004**

(51) **LOC (10) Cl.** ..... **14-02**

(52) **U.S. Cl.**  
USPC ..... **D14/375**

(58) **Field of Classification Search**  
USPC ..... D14/371-376, 125-129, 356;  
248/917-924, 371, 157, 176.1, 278.1;  
341/12; 345/104, 156, 173, 174,  
345/901-905; 348/180, 184, 325, 739;  
349/1, 2, 11, 62

See application file for complete search history.

(56) **References Cited**

U.S. PATENT DOCUMENTS

D289,873 S 5/1987 Gemmell et al.

(Continued)

OTHER PUBLICATIONS

U.S. Appl. No. 29/208,301, filed Jun. 24, 2004.

*Primary Examiner* — Deanna L Pratt

(74) *Attorney, Agent, or Firm* — Saidman DesignLaw Group, LLC

(57) **CLAIM**

We claim the ornamental design for an electronic device, substantially as shown and described.

**DESCRIPTION**

*Notice: More than one reissue application has been filed for the reissue of U.S. Pat. No. D532,011. The reissue applications are application Ser. Nos. 29/327,929 (the present application), 29/366,469 filed Jul. 26, 2010, 29/366,475 filed Jul. 26, 2010, 29/366,476 filed Jul. 26, 2010, 29/366,477 filed Jul. 26, 2010, 29/366,480 filed Jul. 26, 2010, and 29/366,481 filed Jul. 26, 2010, all of which are divisional reissue of U.S. Pat. No. D532,011.*

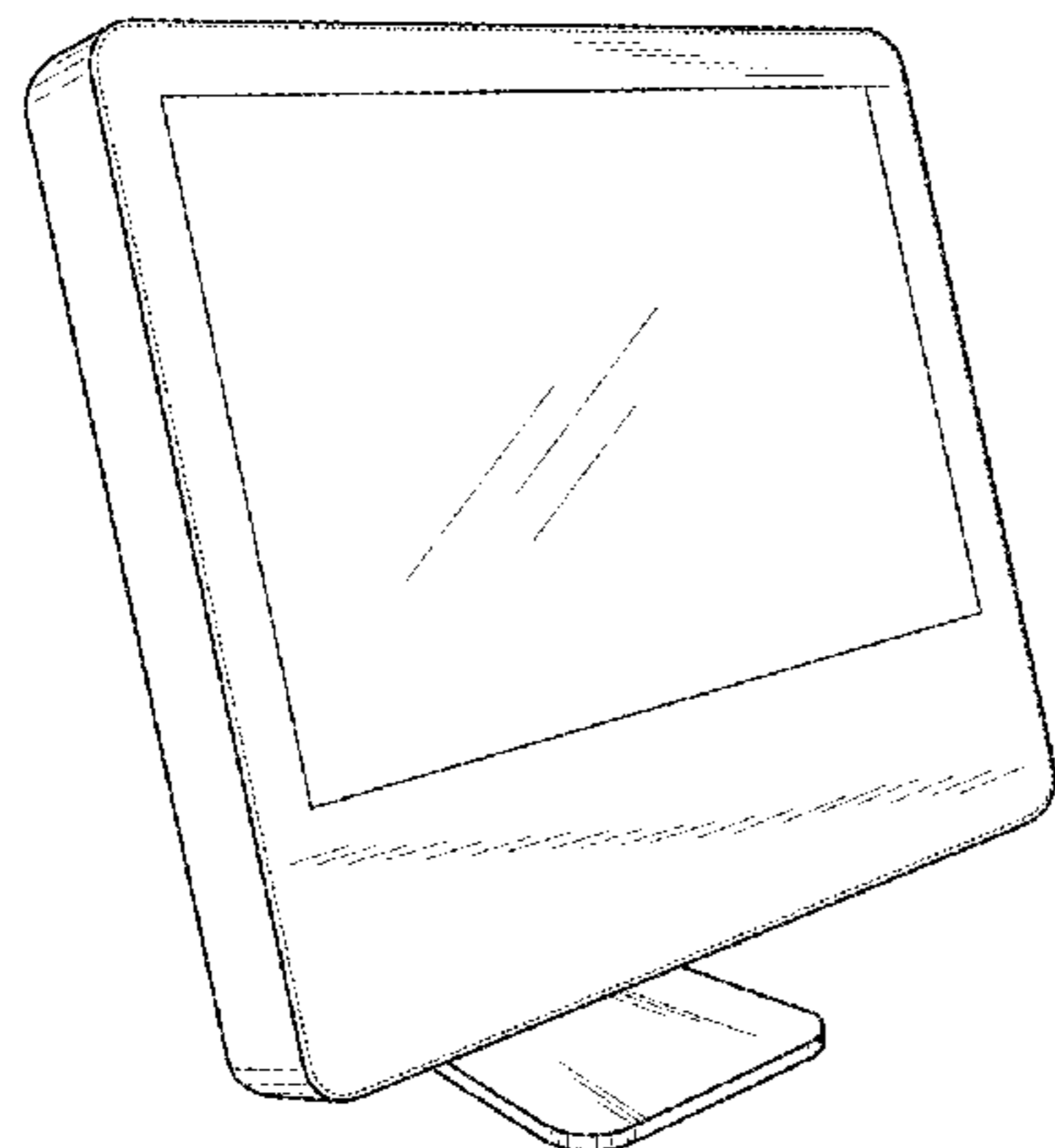
*This is a reissue application of our prior U.S. Pat. No. D532,011, having an issue date of Nov. 14, 2006, the entirety of which is expressly incorporated herein by reference.*

FIG. 1 is a front perspective view of an electronic device in accordance with the present design. The electronic device may correspond to a display device or computer that incorporates a processor and a display device into a single housing; FIG. 2 is a rear perspective view thereof; FIG. 3 is a front view thereof; FIG. 4 is a rear view thereof; FIG. 5 is a top view thereof; FIG. 6 is a bottom view thereof; FIG. 7 is a right side view thereof; and, FIG. 8 is a left side view thereof.

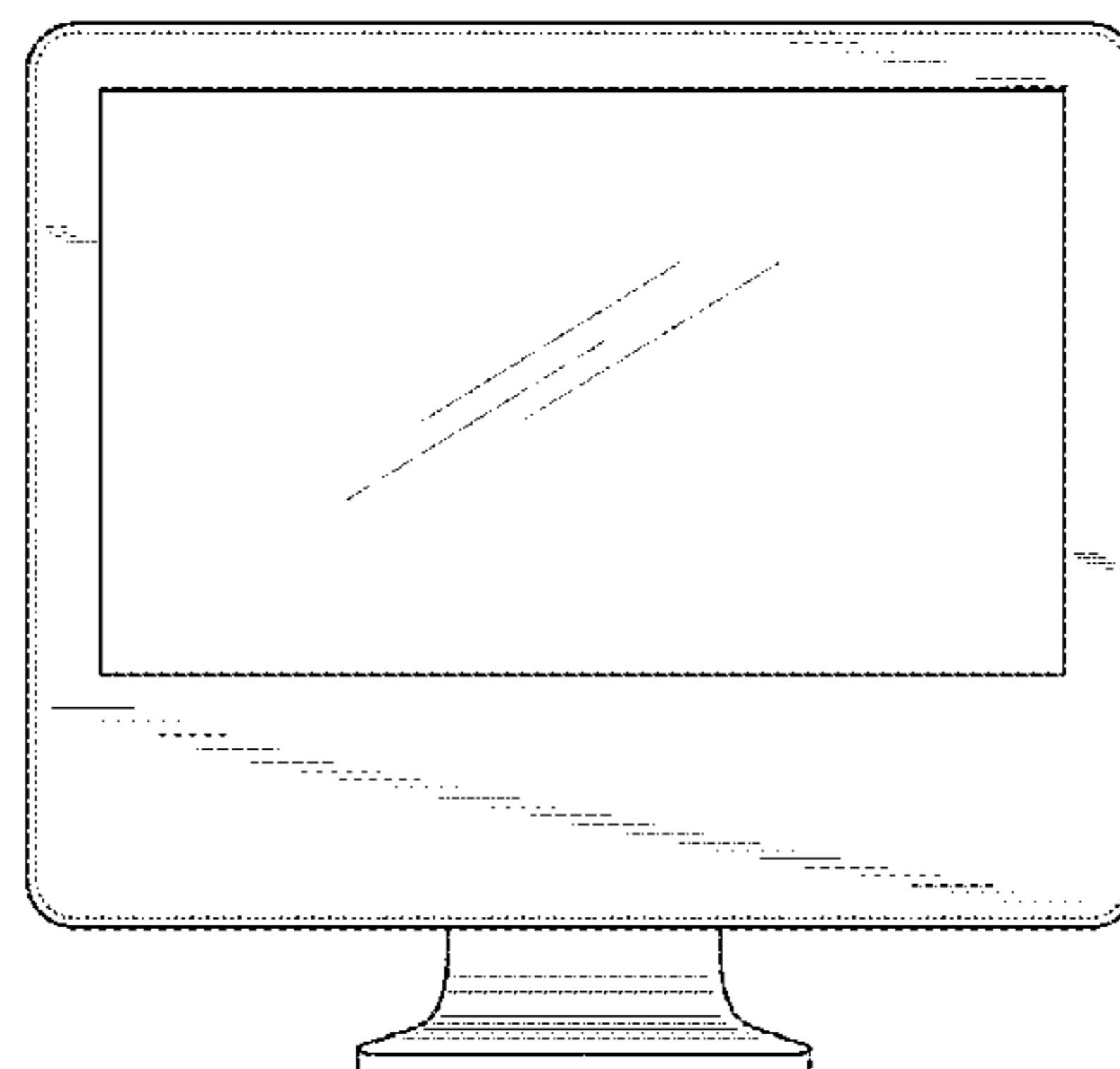
The broken lines are shown in the views for illustrative purposes only and form no part of the claimed design.

**1 Claim, 3 Drawing Sheets**

**Matter enclosed in heavy brackets [ ] appears in the original patent but forms no part of this reissue; matter printed in italics indicates the additions made by reissue.**



(amended)



(amended)

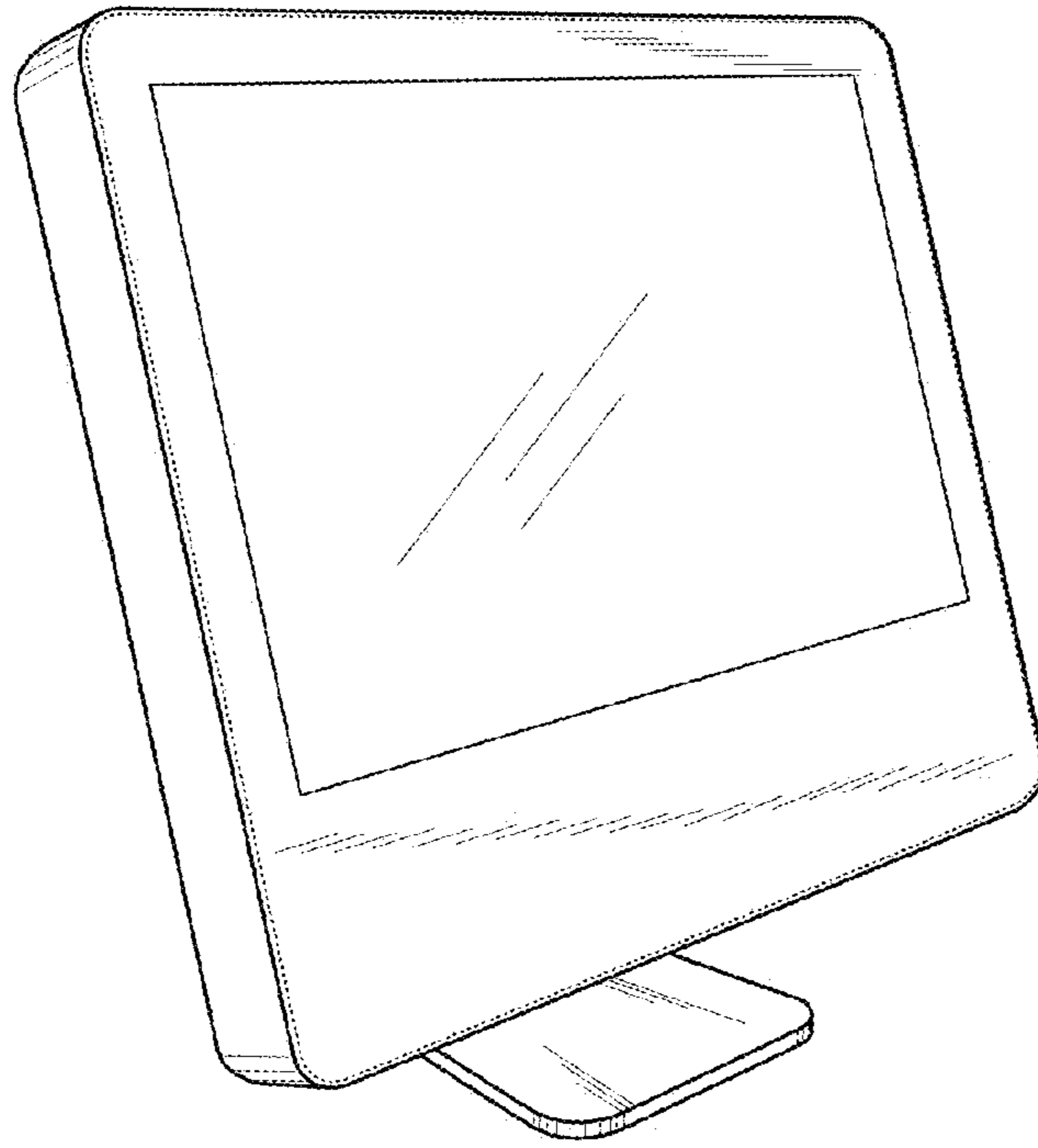
(56)

References Cited

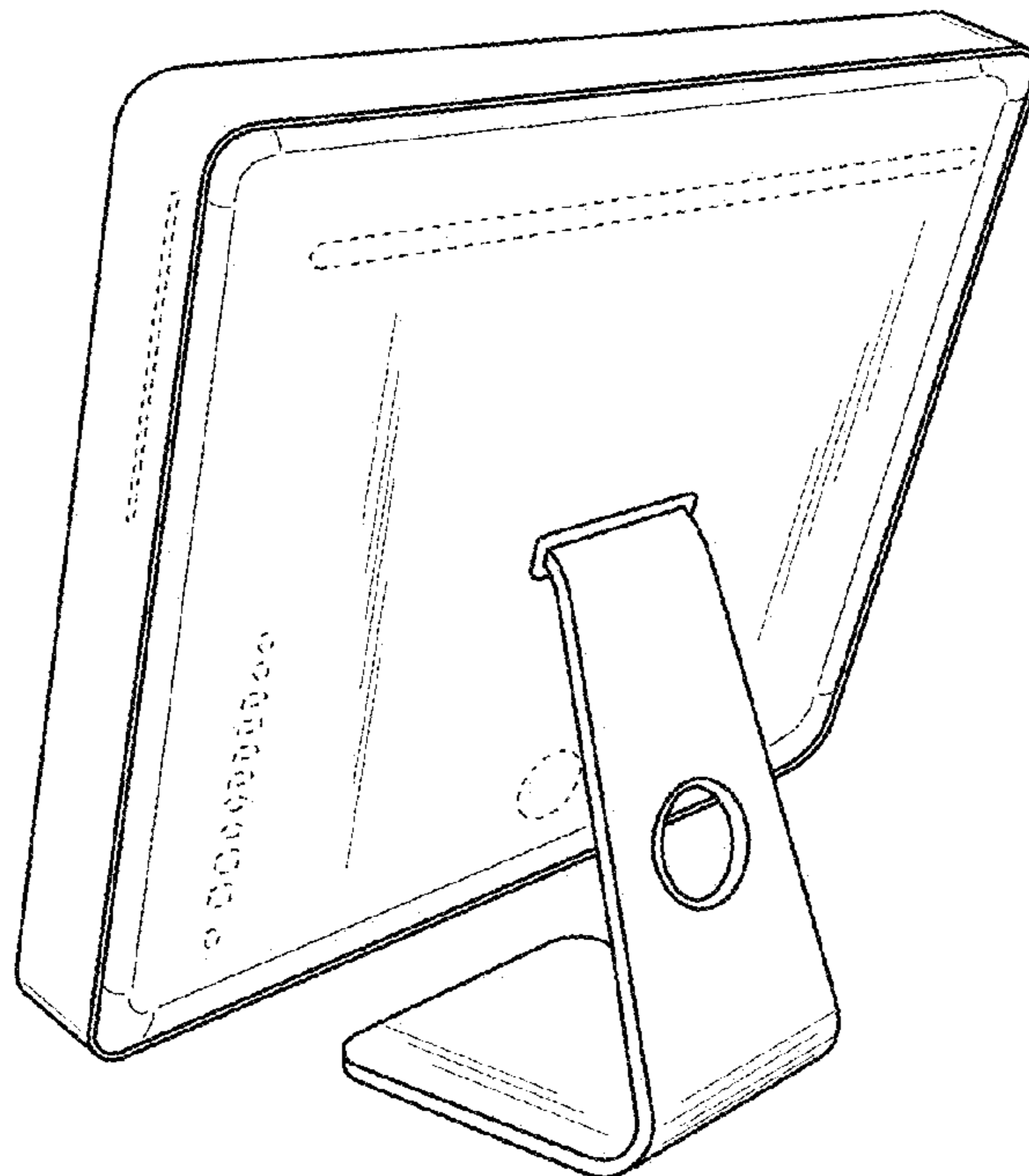
U.S. PATENT DOCUMENTS

D294,262 S *	2/1988	Thies et al.	.....	D14/375			
D428,415 S *	7/2000	Shibata	.....	D14/356			
D432,101 S *	10/2000	Oba	.....	D14/126			
D434,763 S	12/2000	Jobs et al.					
D453,022 S *	1/2002	Oba	.....	D14/374			
D456,023 S	4/2002	Andre et al.					
D464,049 S *	10/2002	Goto	.....	D14/374			
D476,335 S *	6/2003	Miao et al.	.....	D14/375			
D486,486 S	2/2004	Jobs et al.					
D487,893 S	3/2004	Jobs et al.					
D488,139 S *	4/2004	Takami et al.	.....	D14/126			
D489,370 S	5/2004	Jobs et al.					
D491,901 S *	6/2004	Chin et al.	.....	D14/126			
D494,971 S	8/2004	Jobs et al.					
D495,332 S	8/2004	Jobs et al.					
D496,040 S	9/2004	Jobs et al.					
D504,889 S	5/2005	Andre et al.					
7,014,154 B2 *	3/2006	Jeong et al.	.....	248/157			
D531,631 S	11/2006	Andre et al.					
D532,011 S	11/2006	Andre et al.					
D541,799 S	5/2007	Andre et a					
2002/0020792 A1 *	2/2002	Lee	.....	248/278.1			
2003/0189155 A1 *	10/2003	Serbinski et al.	.....	248/371			
2006/0237599 A1 *	10/2006	Ternus et al.	.....	248/176.1			

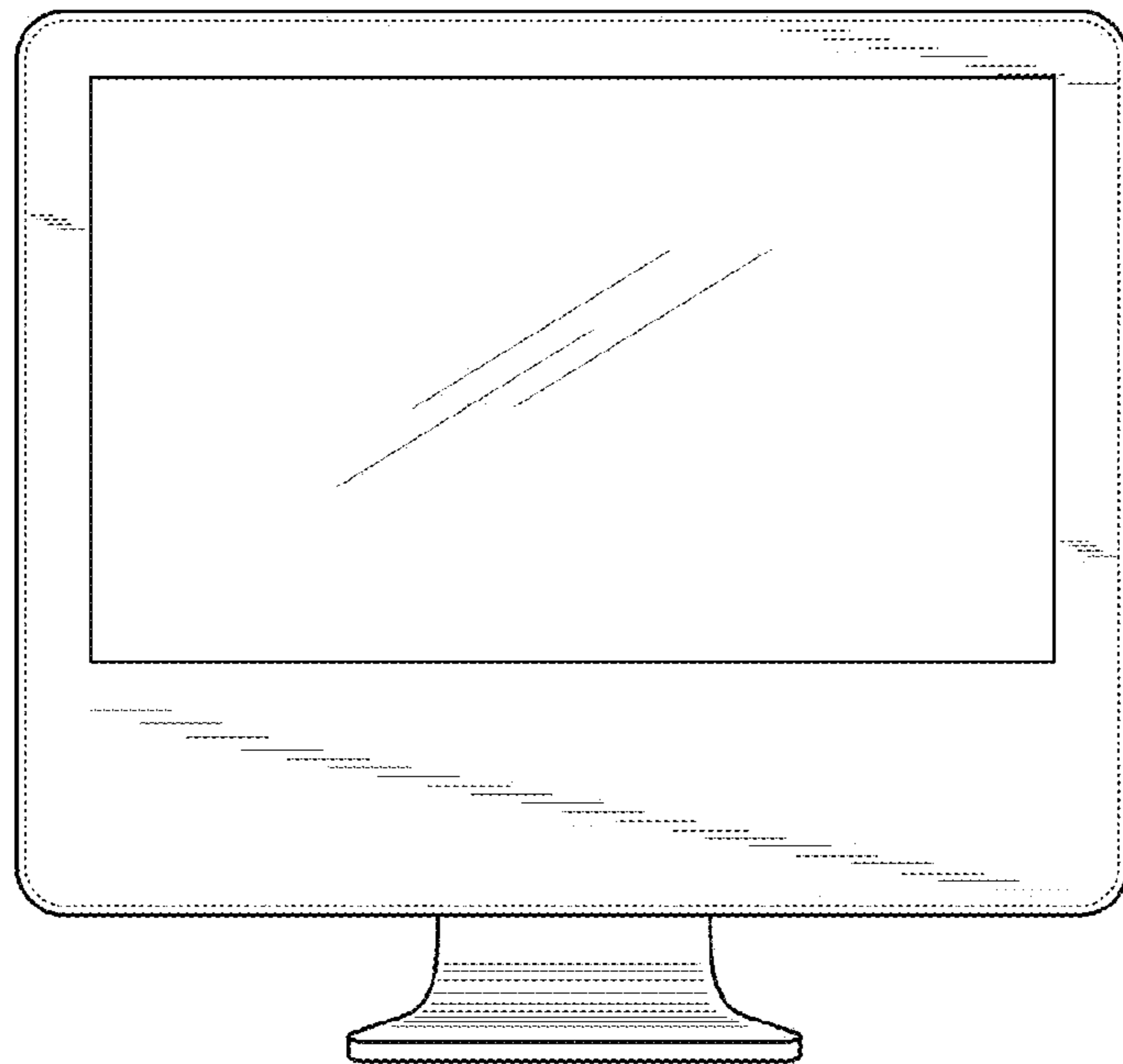
\* cited by examiner



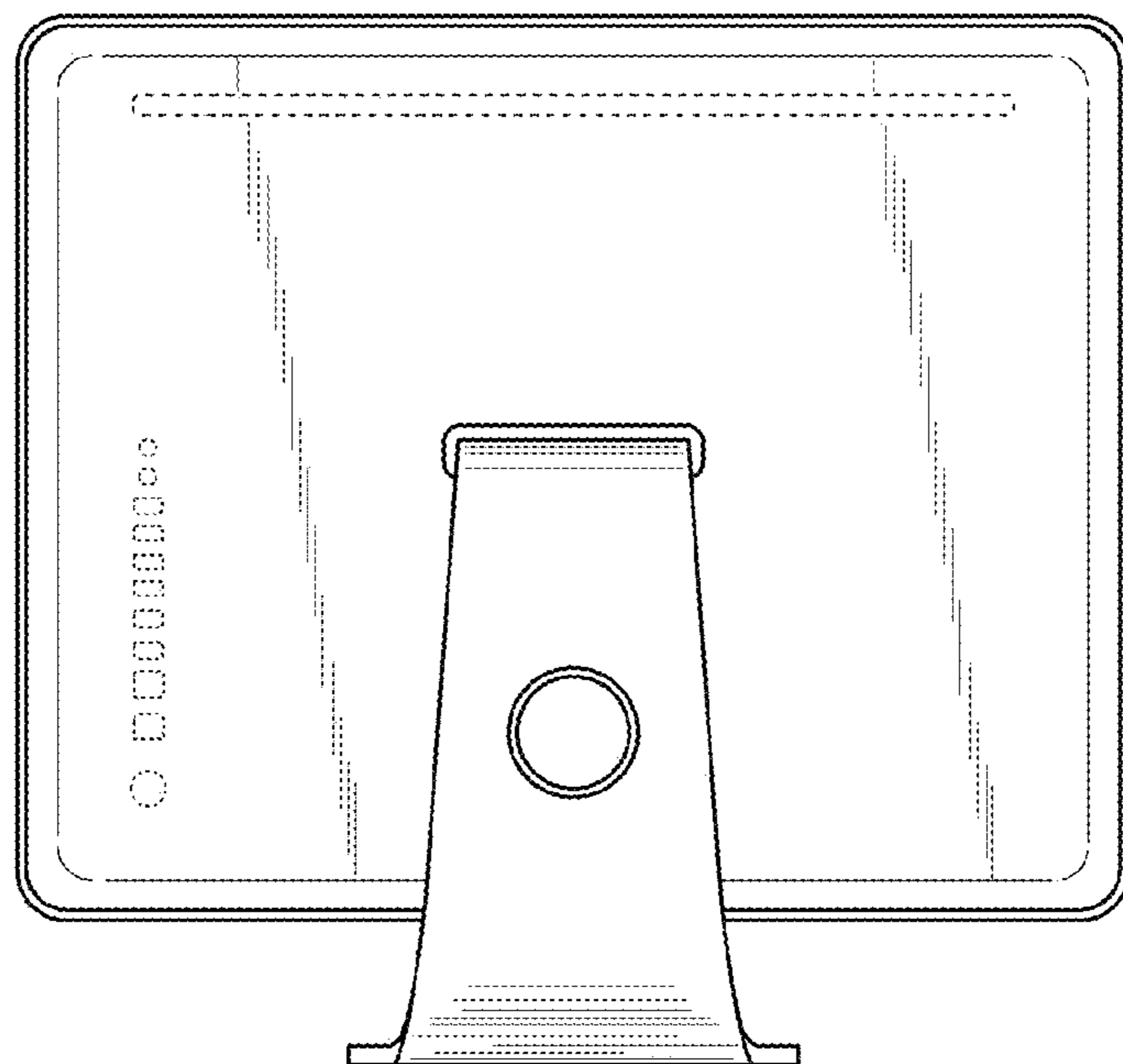
**Fig. 1 (amended)**



**Fig. 2**

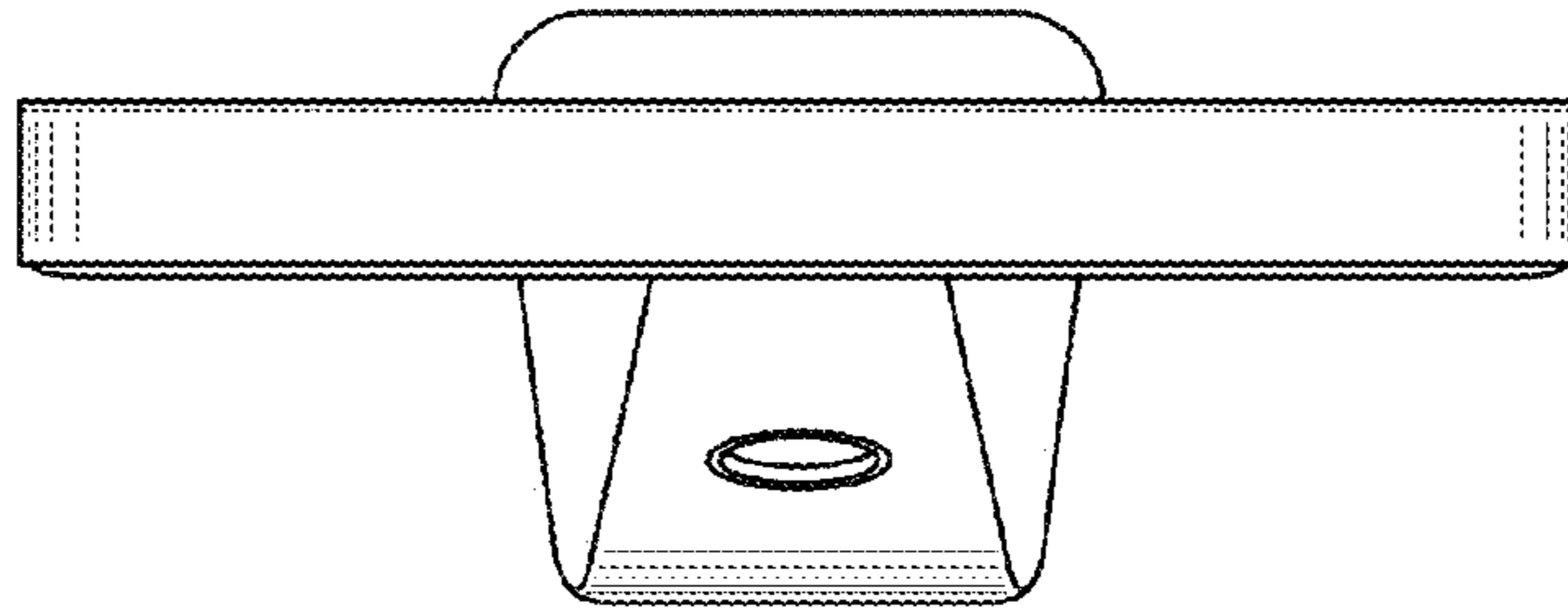


**Fig. 3 (amended)**

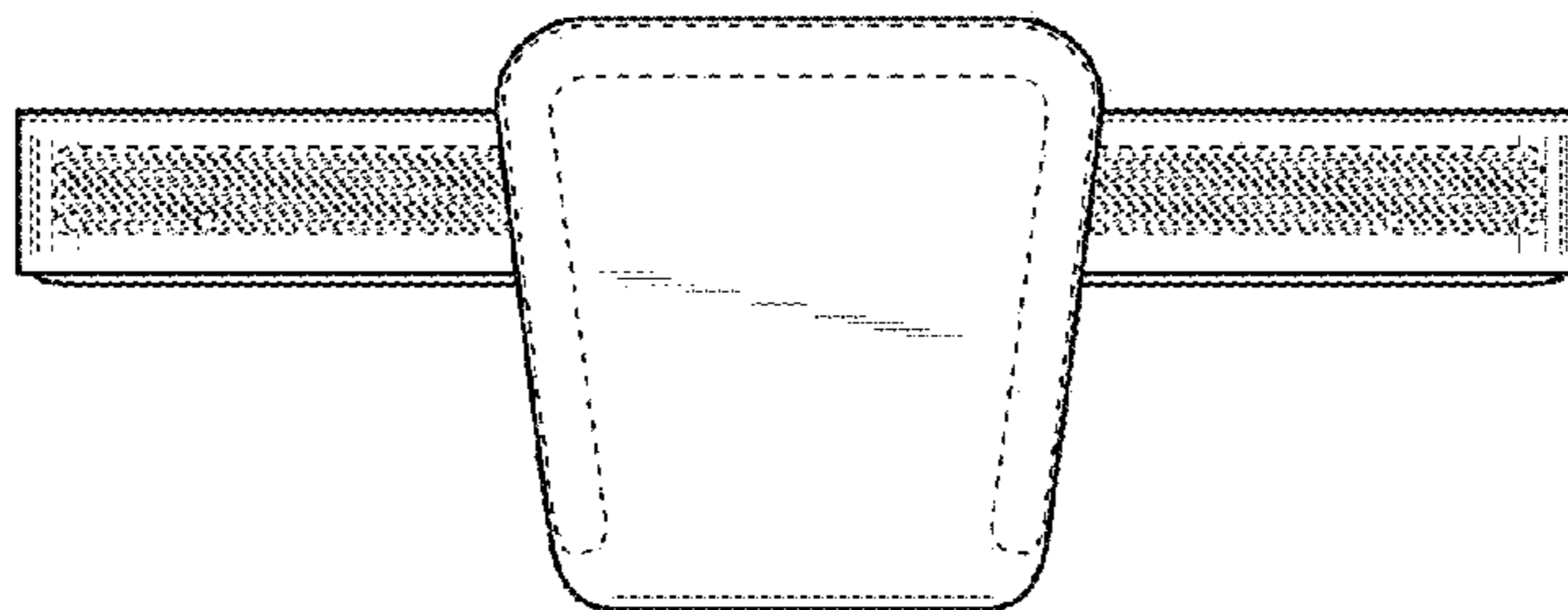


**Fig. 4**

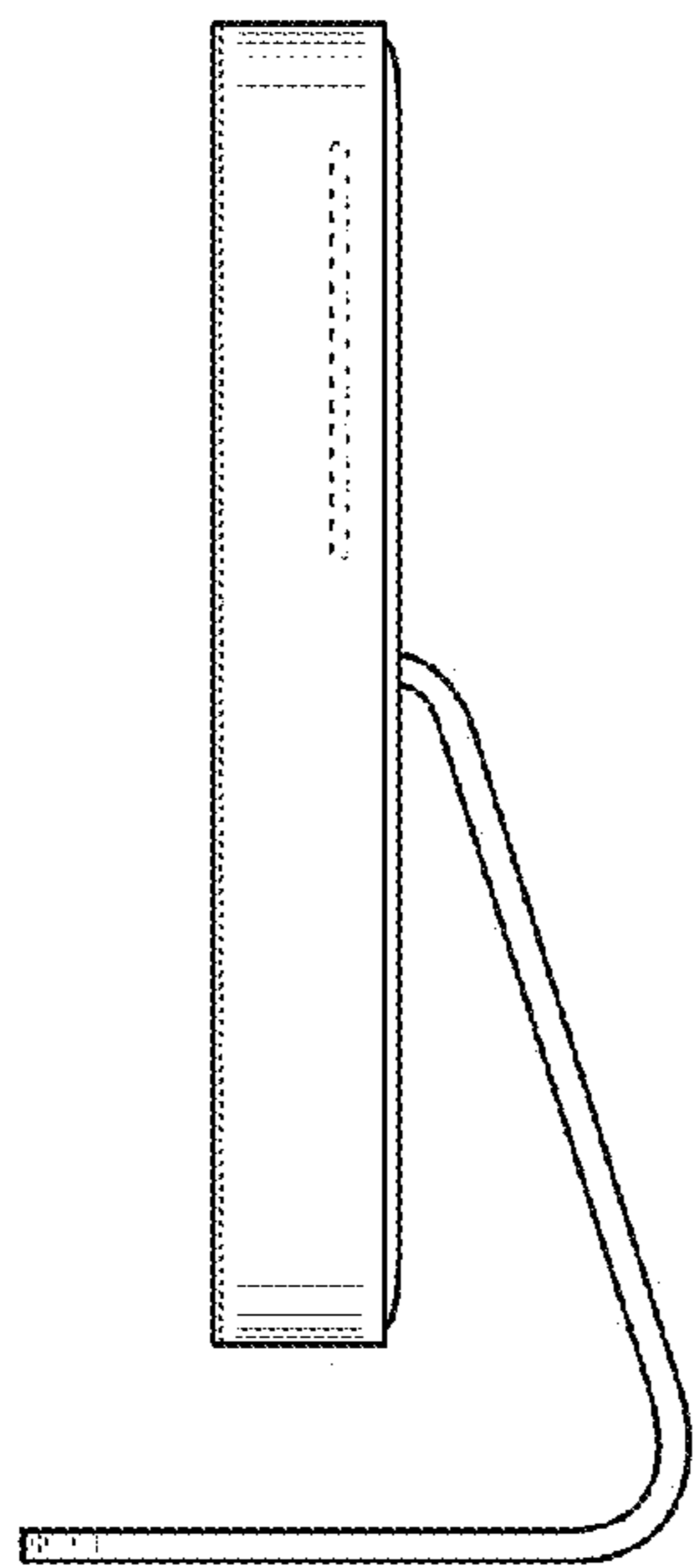




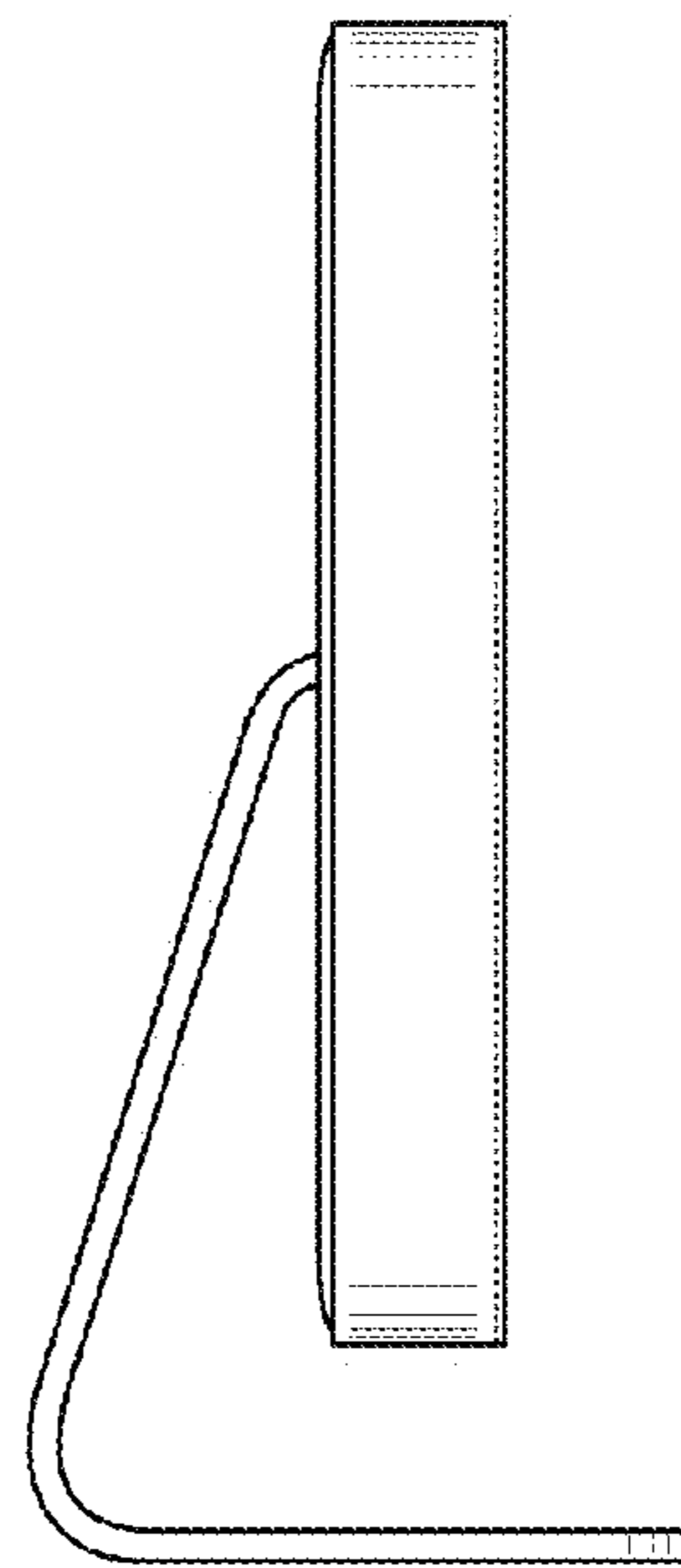
**Fig. 5 (amended)**



**Fig. 6 (amended)**



**Fig. 7 (amended)**



**Fig. 8 (amended)**