



US00RE45787E

(19) **United States**  
(12) **Reissued Patent**  
**Hurt et al.**

(10) **Patent Number:** **US RE45,787 E**  
(45) **Date of Reissued Patent:** **Nov. 3, 2015**

(54) **UTILITY BOX**

(71) Applicant: **Plano Molding Company**, Plano, IL  
(US)

(72) Inventors: **Tom Hurt**, Elgin, IL (US); **John H. Whalen**, Sheridan, IL (US)

(73) Assignee: **Plano Molding Company**, Plano, IL  
(US)

(21) Appl. No.: **29/498,010**

(22) Filed: **Jul. 30, 2014**

**Related U.S. Patent Documents**

Reissue of:

(64) Patent No.: **Des. 679,908**  
Issued: **Apr. 16, 2013**  
Appl. No.: **29/418,488**  
Filed: **Apr. 17, 2012**

(51) **LOC (10) Cl.** ..... **03-01**

(52) **U.S. Cl.**  
USPC ..... **D3/294**

(58) **Field of Classification Search**  
USPC ..... D3/293–295, 273, 302, 905, 276, 283,  
D3/201; 206/349, 372; D7/629; D30/133;  
D9/420; 220/523, 4.21, 4.22, 529  
CPC ..... A01K 97/06  
See application file for complete search history.

(56) **References Cited**

**U.S. PATENT DOCUMENTS**

D253,855 S \* 1/1980 Hopf ..... D3/295  
D278,096 S \* 3/1985 Walker et al. .... D3/295  
D418,252 S \* 12/1999 Horvath et al. .... D28/61  
D443,762 S \* 6/2001 Park ..... D3/295  
6,336,552 B1 \* 1/2002 Meier ..... 206/3  
D468,531 S \* 1/2003 Hsu ..... D3/282  
7,246,074 B1 \* 7/2007 Hutchins et al. .... 705/7.12  
7,246,704 B2 \* 7/2007 Brunson et al. .... 206/372  
D613,944 S \* 4/2010 Molina ..... D3/294

D617,987 S \* 6/2010 Wang ..... D3/294  
D645,663 S \* 9/2011 Henley et al. .... D3/294  
D647,303 S \* 10/2011 Mish et al. .... D3/294  
D650,173 S \* 12/2011 Lima et al. .... D3/293  
D670,909 S \* 11/2012 Price ..... D3/260

\* cited by examiner

*Primary Examiner* — Phillip S Hyder

(74) *Attorney, Agent, or Firm* — McGuireWoods LLP

(57) **CLAIM**

We claim the ornamental design for utility box, as shown and described.

**DESCRIPTION**

FIG. 1 is a top view of the utility box, without removable inserts;

FIG. 2 is a front view of the utility box shown in FIG. 1[, without removable inserts];

FIG. 3 is a left side view of the utility box shown in FIG. 1[, without removable inserts];

FIG. 4 is a right side view of the utility box shown in FIG. 1[, without removable insets];

FIG. 5 is a bottom view of the utility box shown in FIG. 1[, without removable inserts];

FIG. 6 is an open top perspective view of the utility box shown in FIG. 1[, without removable inserts];

FIG. 7 is an open bottom perspective view of the utility box shown in FIG. 1[, without removable inserts];

FIG. 8 is a top view of the utility box shown in FIG. 1[, with removable inserts inserted into the design];

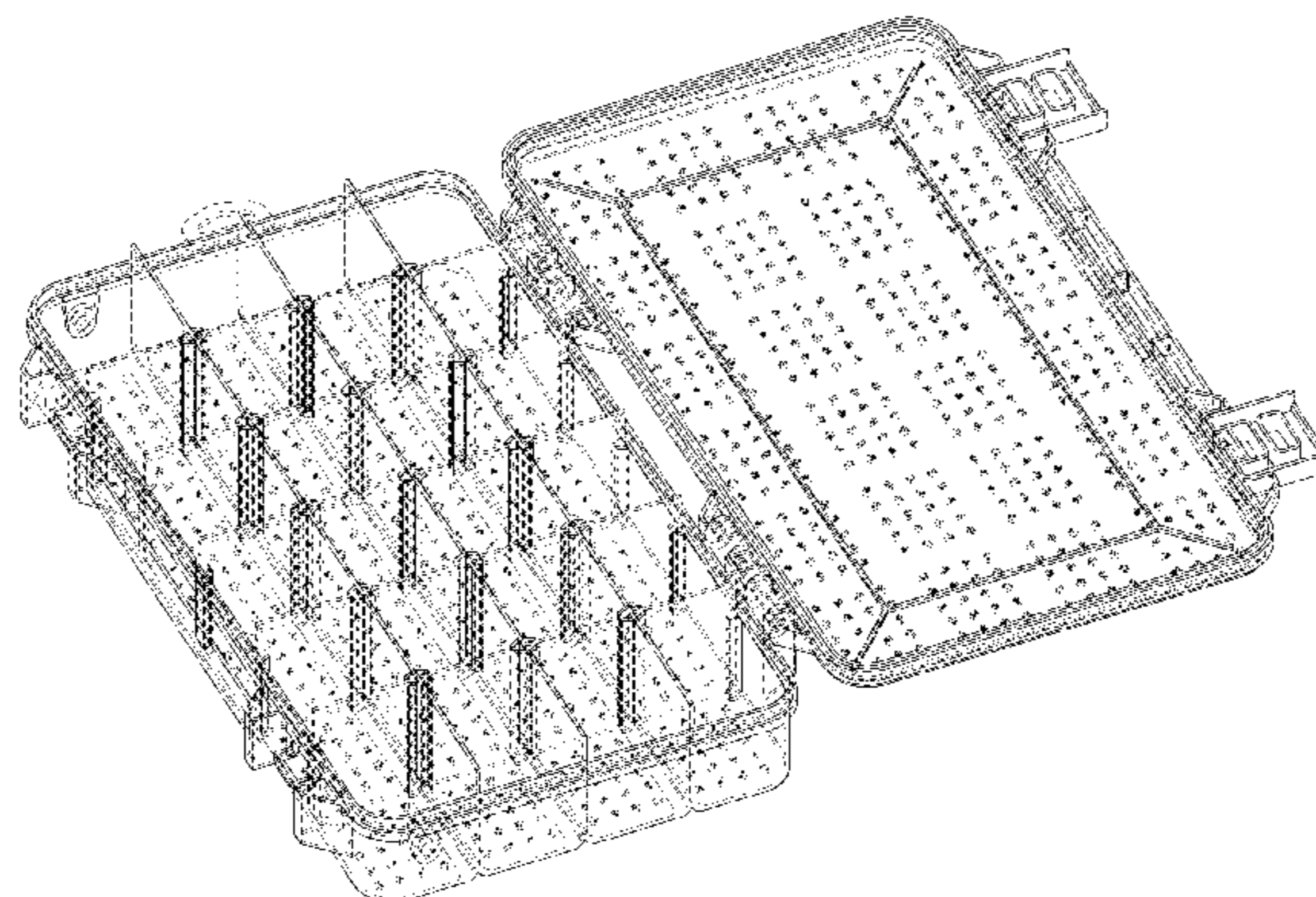
FIG. 9 is a bottom view of the utility box shown in FIG. 1[, with removable inserts inserted into the design]; and,

FIG. 10 is an open top perspective view of the utility box shown in FIG. 1[, with removable inserts inserted into the design].

The broken lines of the utility box are included for the purpose of showing portions of the article and form no part of the claimed design.

**1 Claim, 8 Drawing Sheets**

**Matter enclosed in heavy brackets [ ] appears in the original patent but forms no part of this reissue; matter printed in italics indicates the additions made by reissue.**



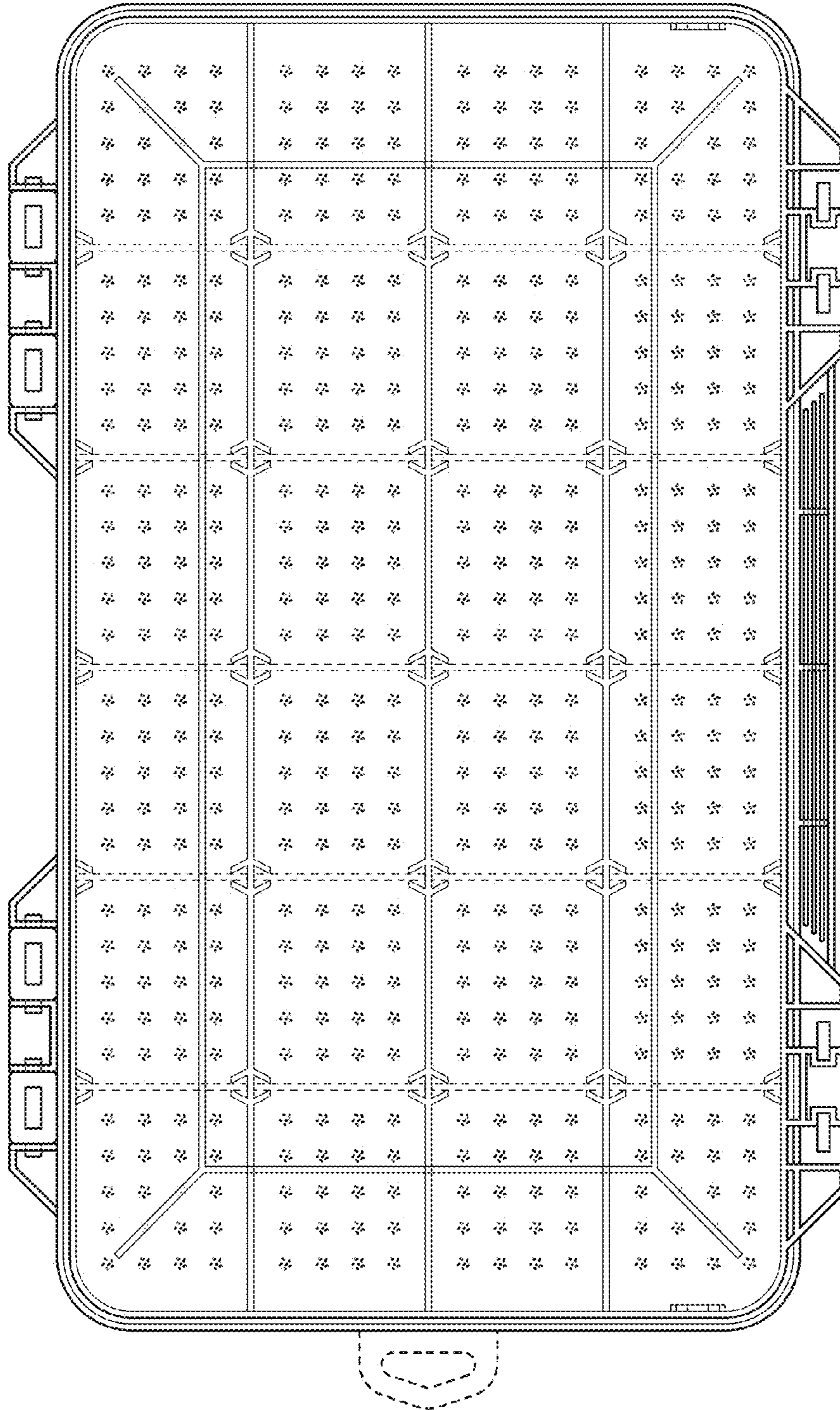


FIG. 1  
Amended



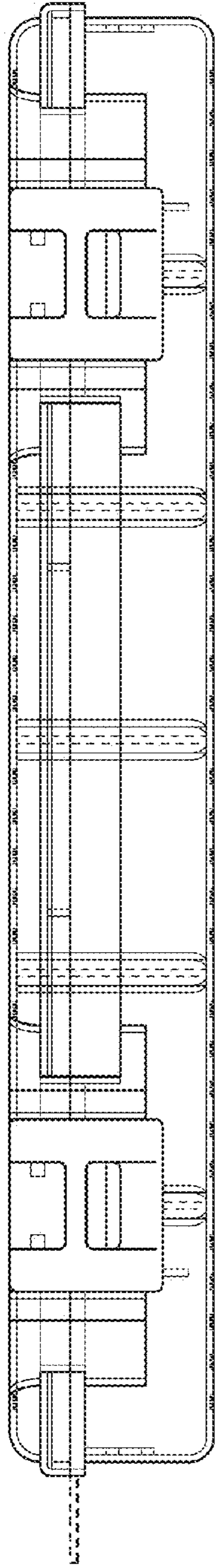


FIG. 2  
Amended

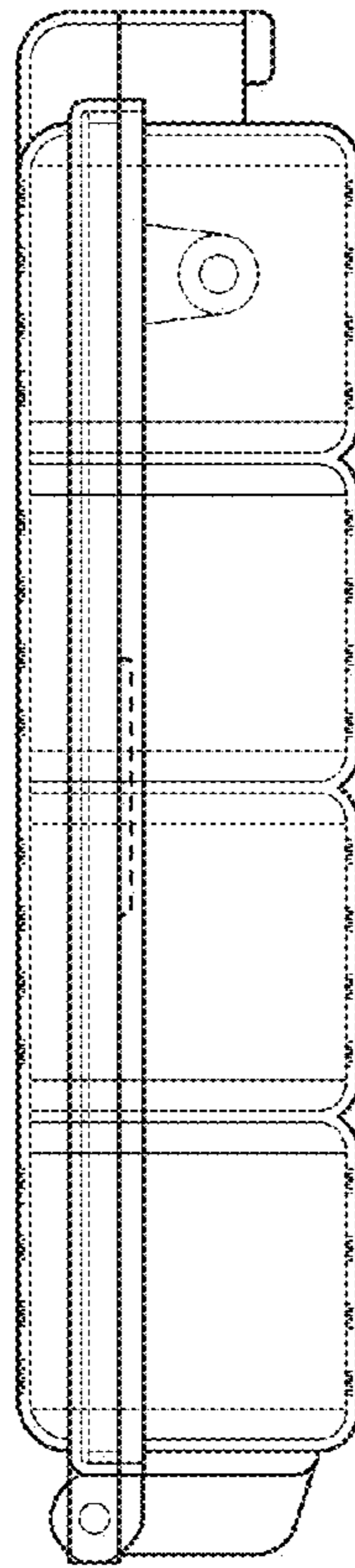


FIG. 3

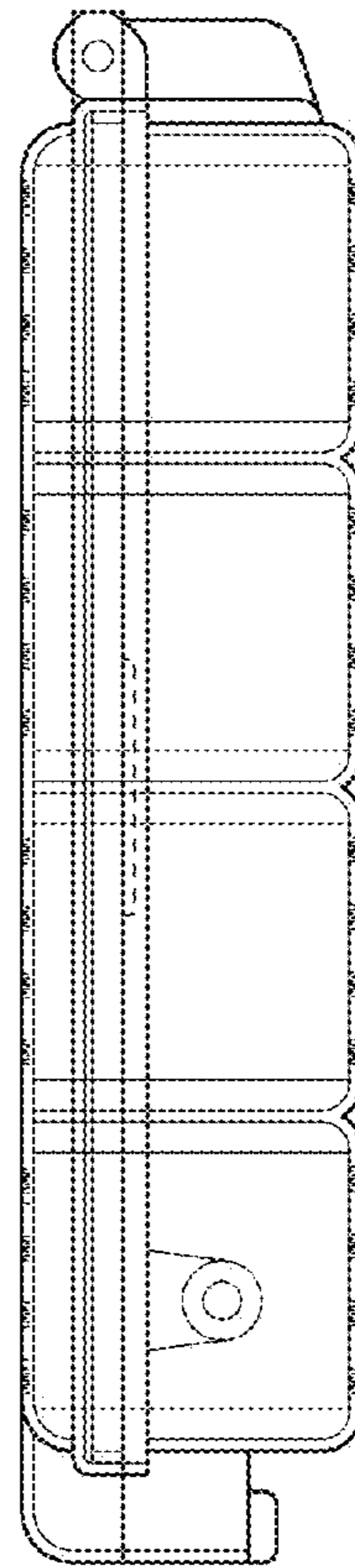


FIG. 4

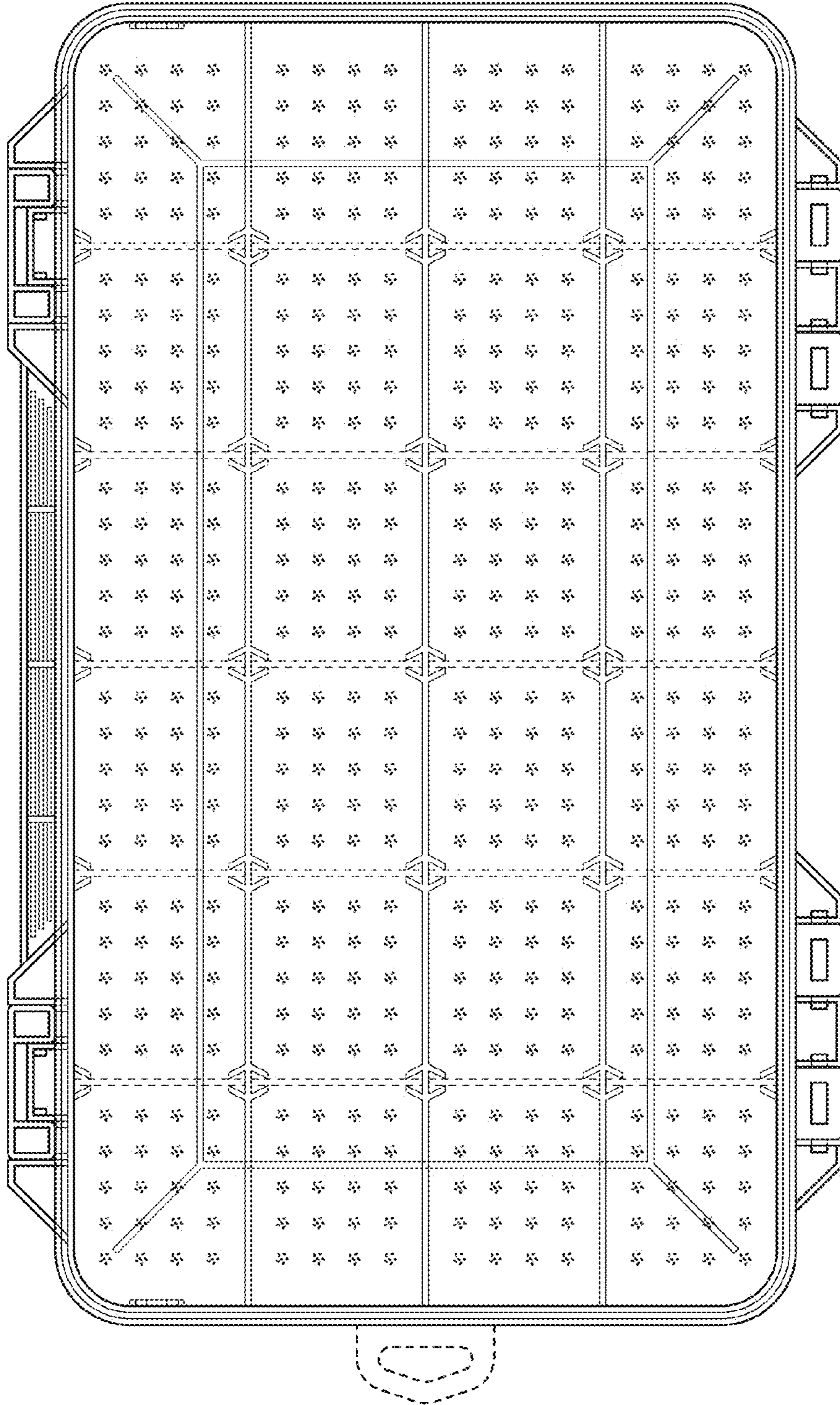


FIG. 5  
Amended



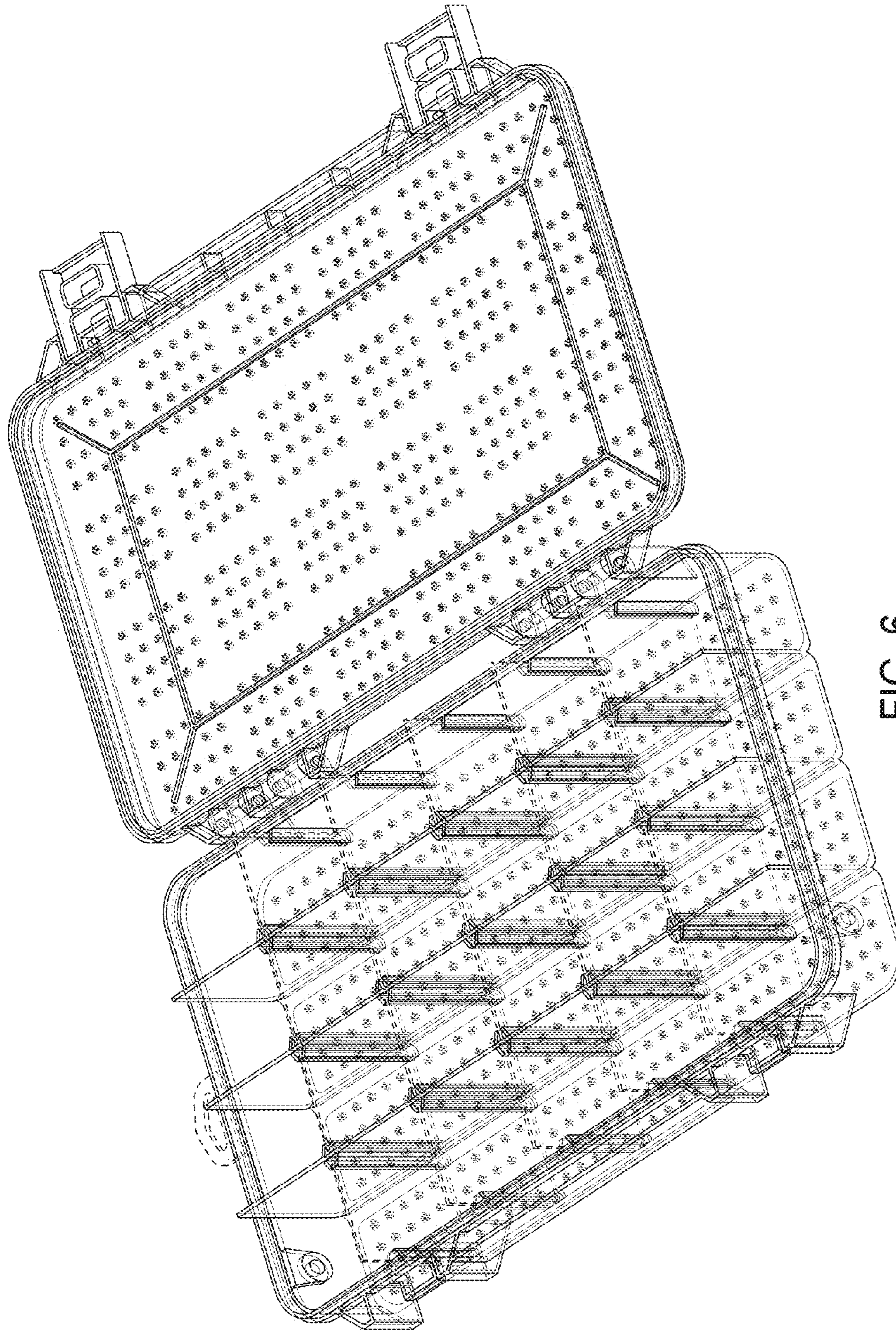


FIG. 6  
Amended



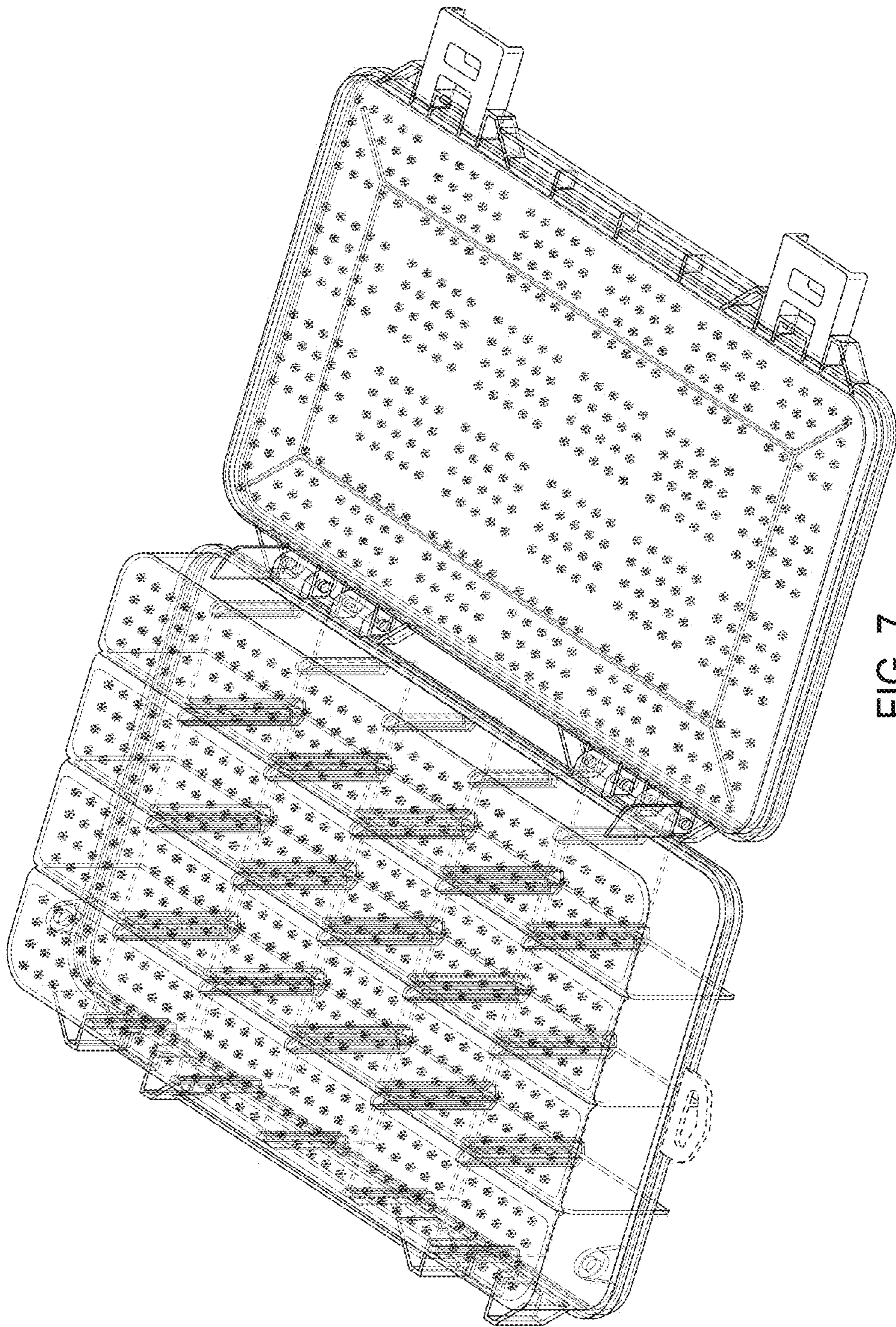


FIG. 7  
Amended



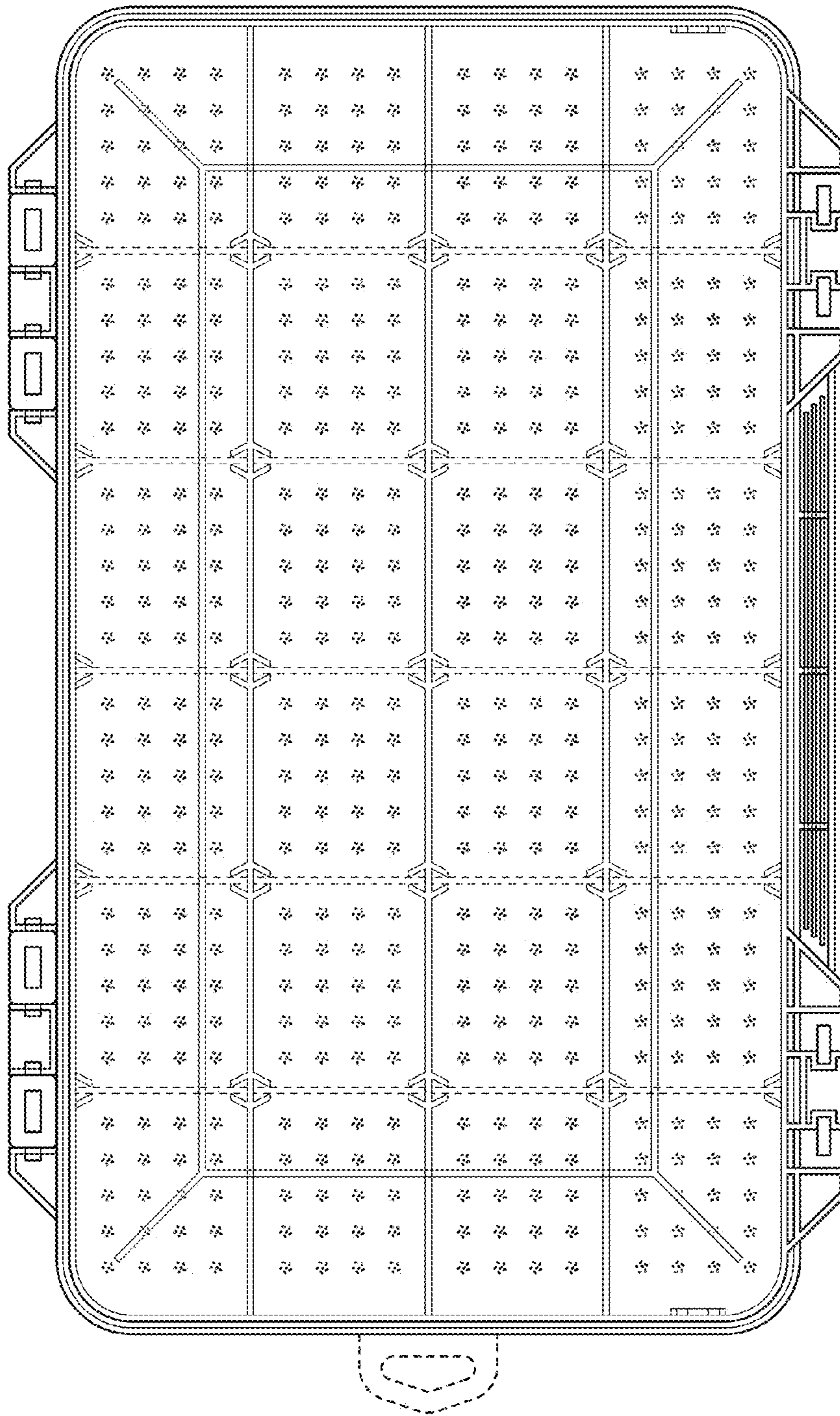


FIG. 8

Amended

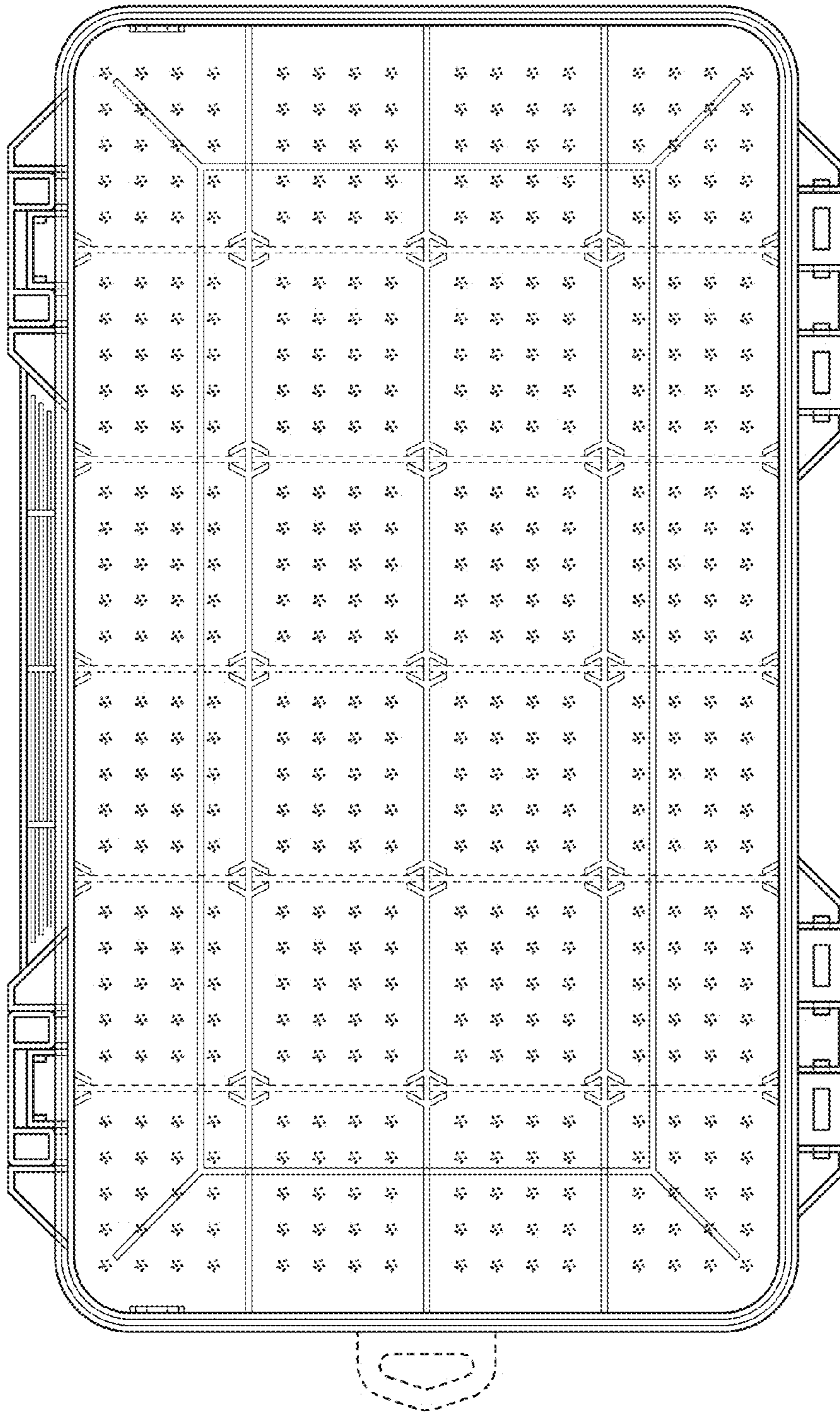


FIG. 9  
Amended



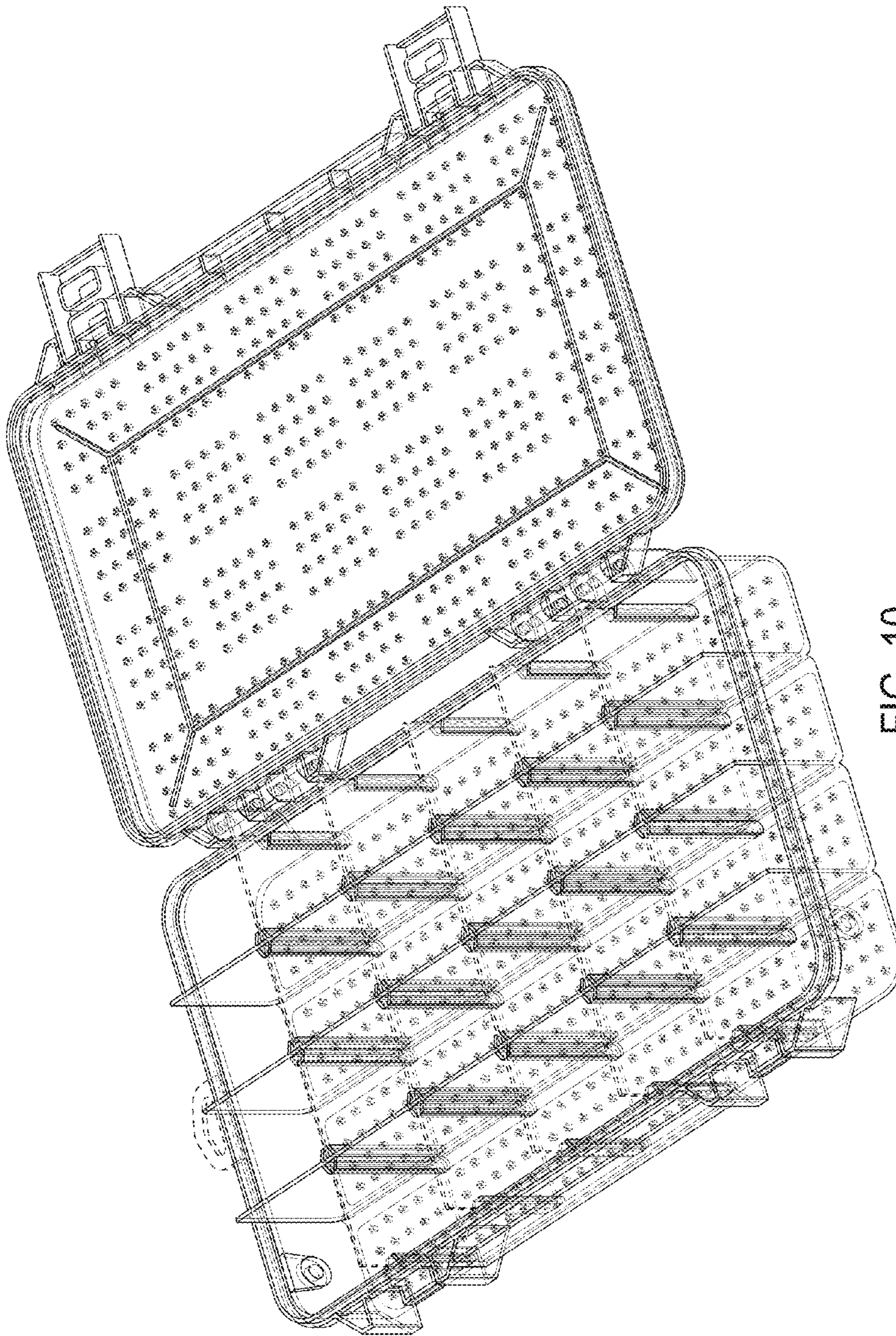


FIG. 10  
Amended