



US00RE45740E

(19) **United States**
(12) **Reissued Patent**
Vestling et al.

(10) **Patent Number:** **US RE45,740 E**
(45) **Date of Reissued Patent:** **Oct. 13, 2015**

(54) **GUN SIGHT**
(71) Applicant: **NITOVES AB**, Norrkoping (SE)
(72) Inventors: **Niklas Vestling**, Norrkoping (SE);
Tobias Vestling, Norrkoping (SE)
(73) Assignee: **NITOVES AB**, Norrkoping (SE)
(21) Appl. No.: **29/456,164**
(22) Filed: **May 29, 2013**

D151,408 S * 10/1948 Richards D22/109
3,368,454 A * 2/1968 Peck et al. 89/14.05
4,223,446 A * 9/1980 Villa 42/141
4,790,075 A * 12/1988 Howard, Sr. 42/130
D347,164 S * 5/1994 Wodka D8/395

* cited by examiner

Primary Examiner — Phillip S Hyder
(74) *Attorney, Agent, or Firm* — Young & Thompson

(57) **CLAIM**
The ornamental design for a gun sight, as shown and described.

Related U.S. Patent Documents

Reissue of:
(64) Patent No.: **Des. 651,681**
Issued: **Jan. 3, 2012**
Appl. No.: **29/362,505**
Filed: **May 26, 2010**

DESCRIPTION

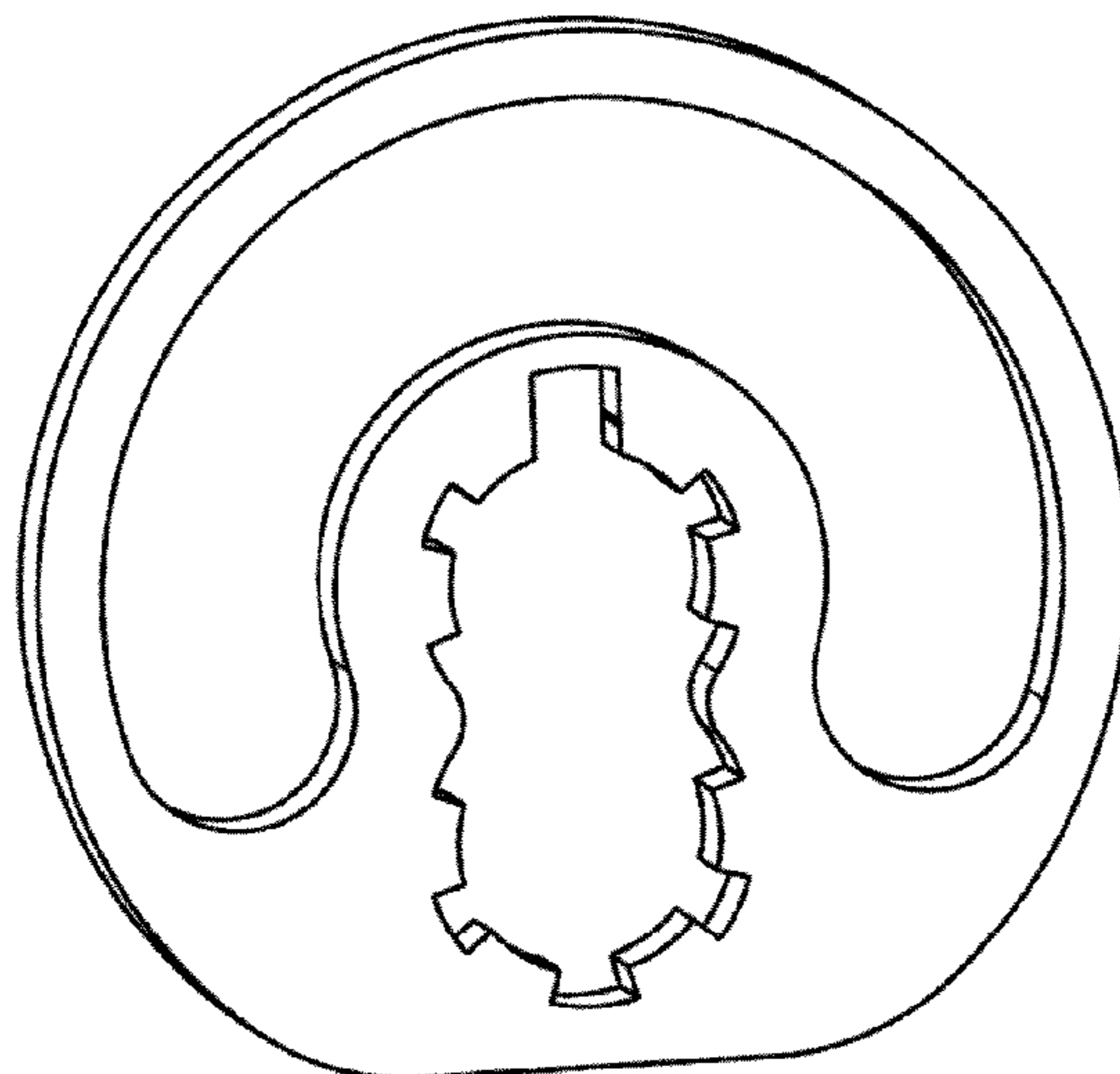
FIG. 1 is a perspective view of a gun sight showing our new design;
FIG. 2 is a another perspective view thereof;
FIG. 3 is a rear elevational view thereof, the appearance of the side opposite that shown in FIG. 3 being identical thereto;
FIG. 4 is a side elevational view thereof, the appearance of the side opposite that shown in FIG. 4 being identical thereto; and
FIG. 5, is a perspective views showing the gun sight in use;
FIG. 6, is another perspective views showing the gun sight in use; and,
FIG. 7, is another perspective views showing the gun sight in use.
[The material shown in broken lines forms no part of the claimed invention.] *The broken line showing of a shot gun in FIGS. 5, 6, and 7, is depicted for purposes of environment and forms no part of the claimed design.*

(30) **Foreign Application Priority Data**
Nov. 26, 2009 (EM) 001182422
(51) **LOC (10) Cl.** **22-01**
(52) **U.S. Cl.**
USPC **D12/109**
(58) **Field of Classification Search**
USPC D22/108, 109, 110; 33/227, 229;
89/200–204; 359/399, 744, 823;
42/116, 120, 124, 125, 126, 133, 134,
42/135
See application file for complete search history.

(56) **References Cited**
U.S. PATENT DOCUMENTS
2,058,305 A * 10/1936 Forsling 42/143
2,433,909 A * 1/1948 Jefferies 42/141

1 Claim, 2 Drawing Sheets

Matter enclosed in heavy brackets [] appears in the original patent but forms no part of this reissue; matter printed in italics indicates the additions made by reissue.



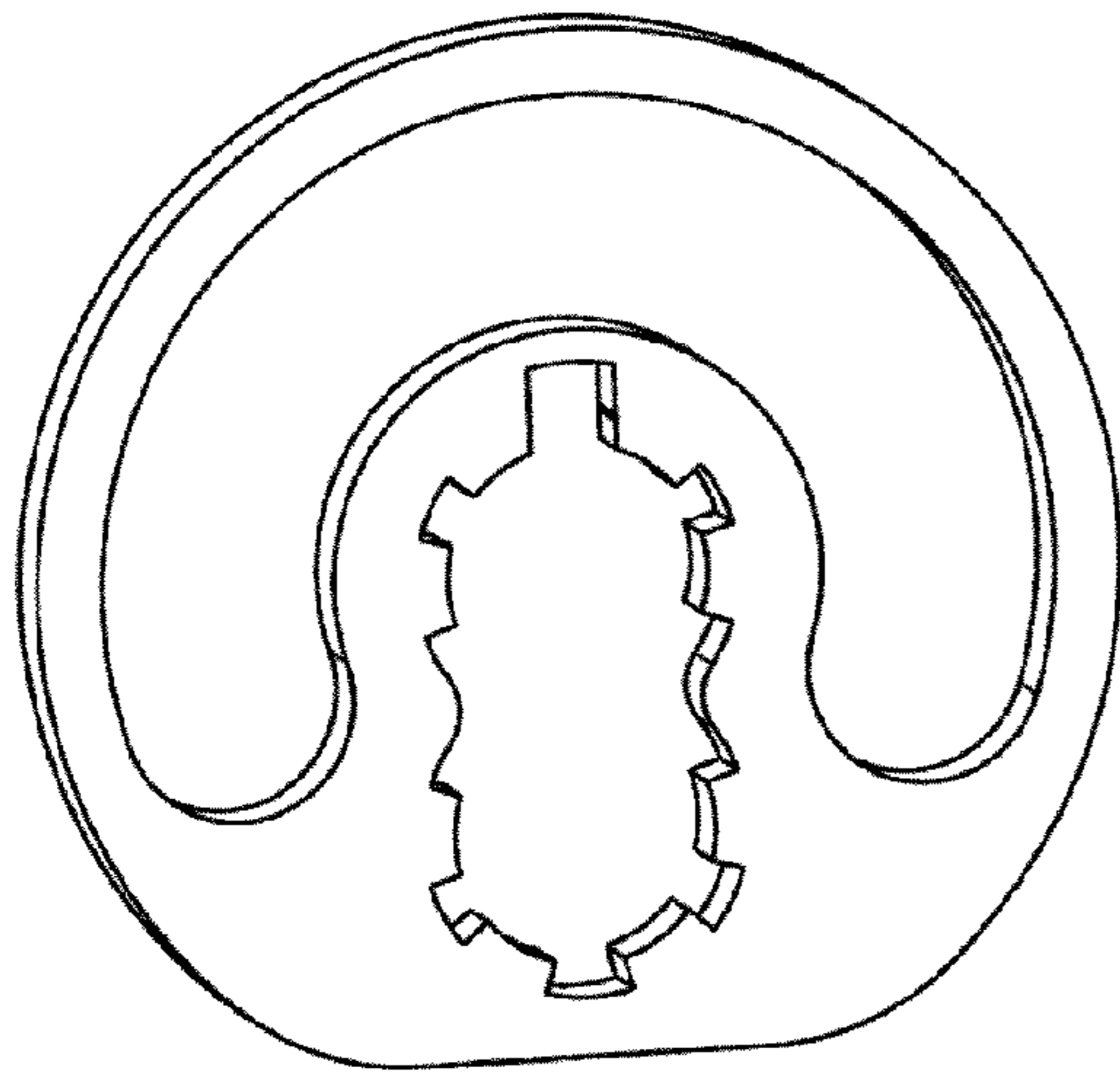


Figure 1

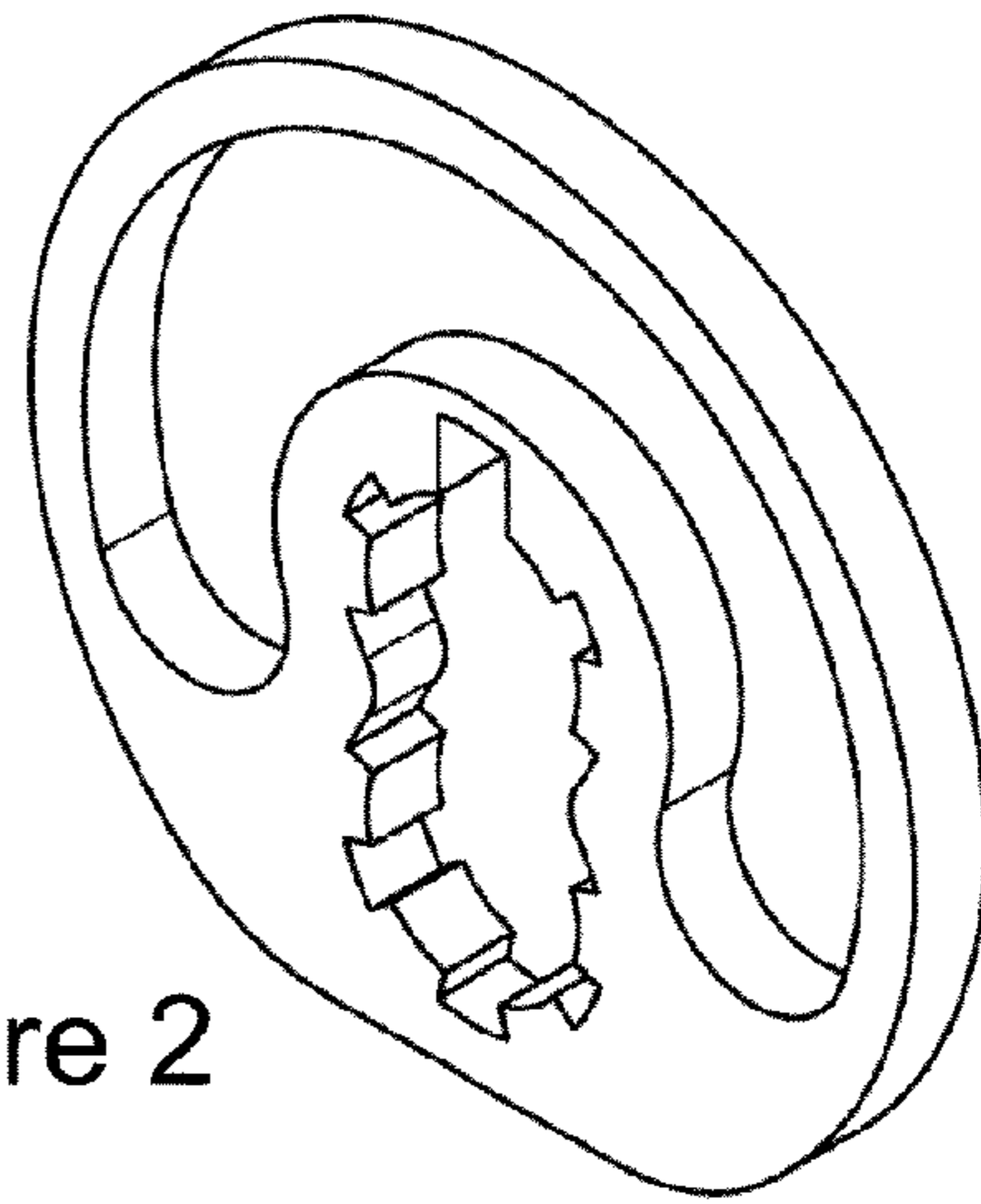


Figure 2

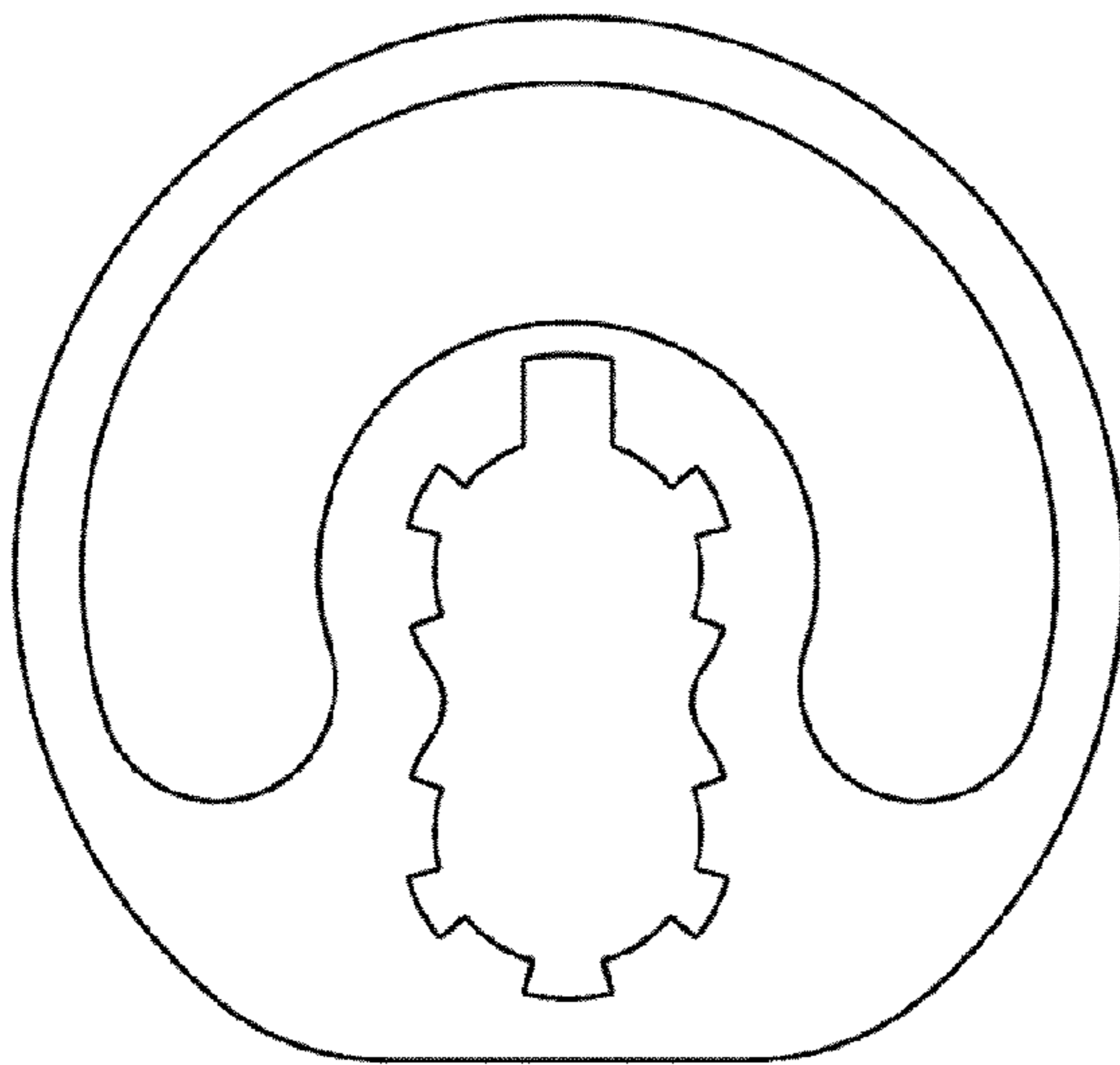


Figure 3



Figure 4

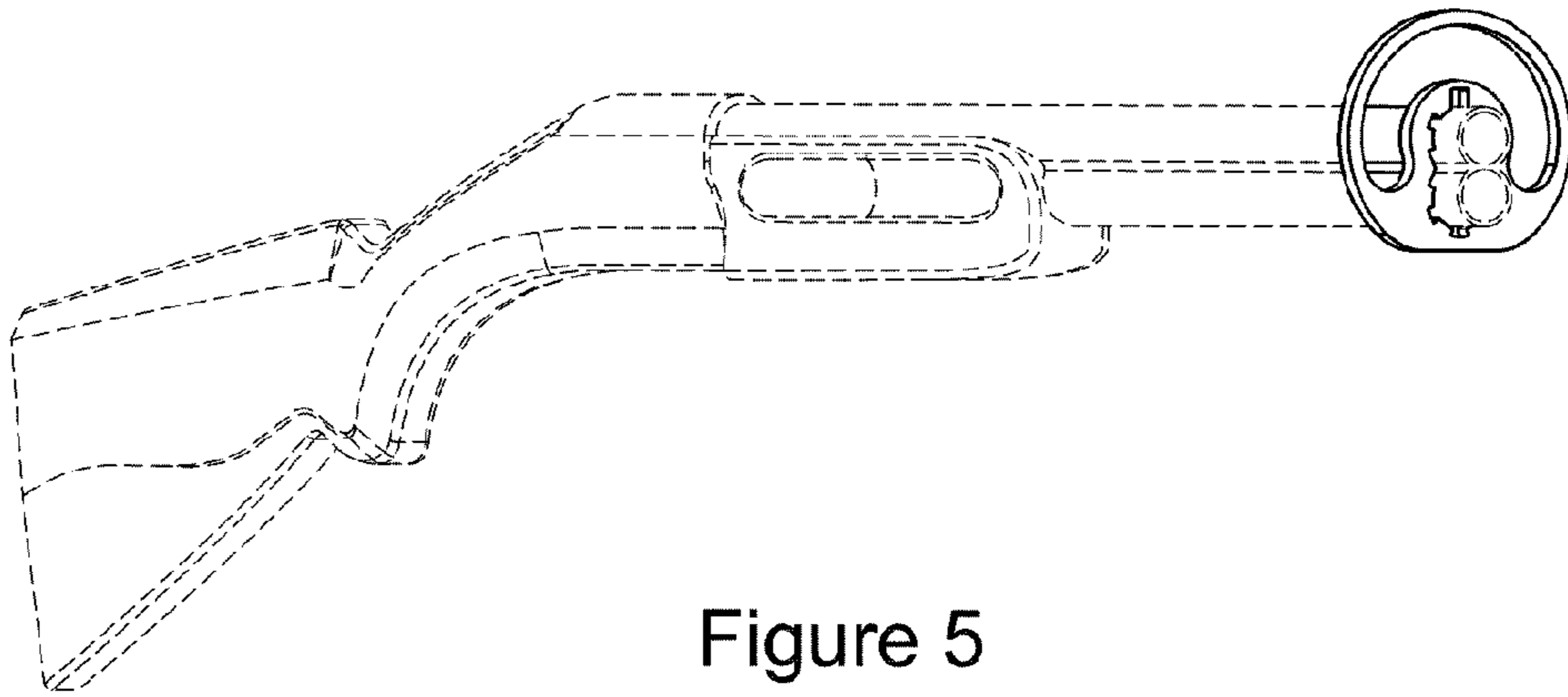


Figure 5

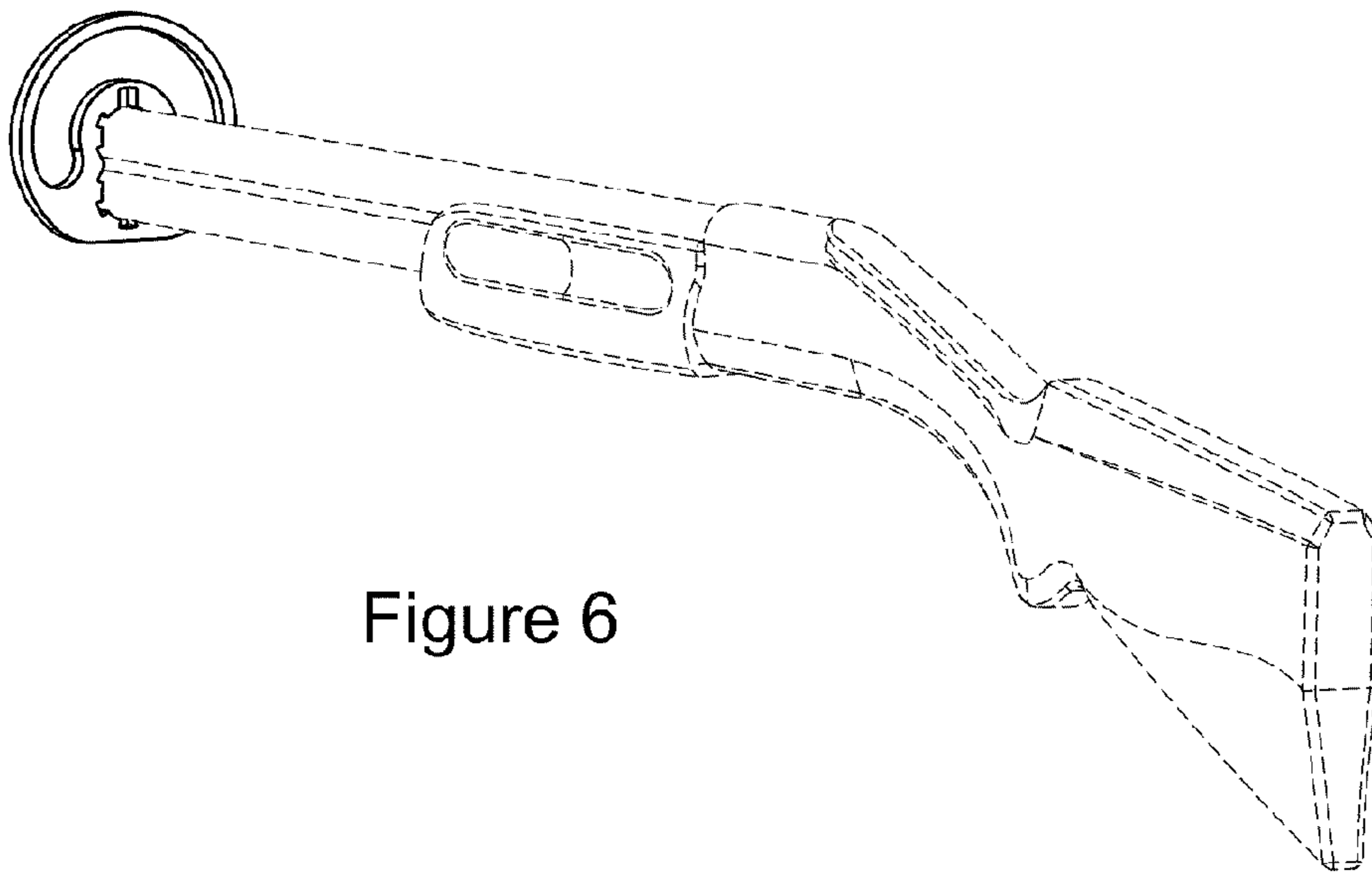


Figure 6

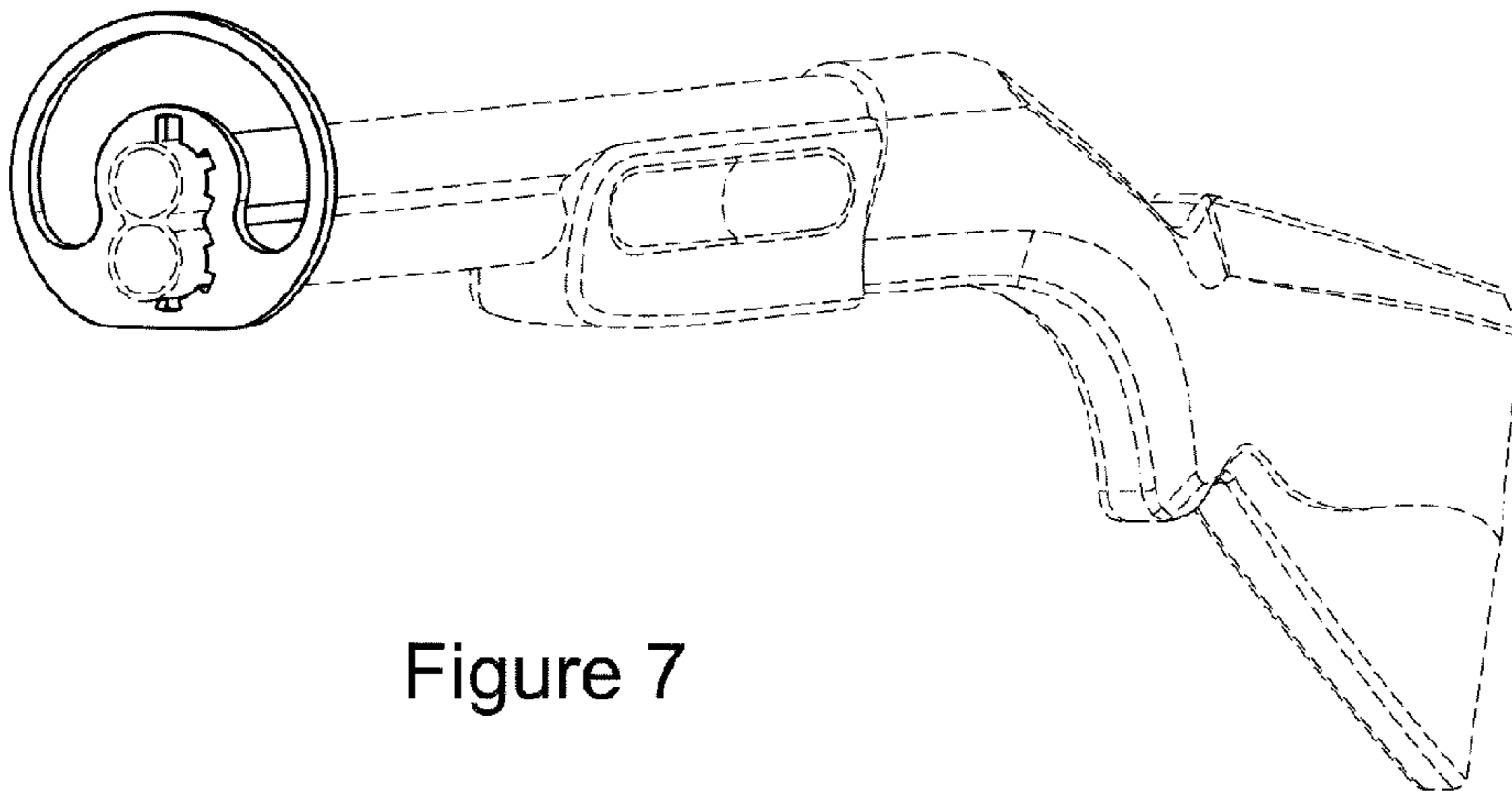


Figure 7