

US00RE45713E

(19) **United States**
(12) **Reissued Patent**
Oren et al.

(10) **Patent Number:** **US RE45,713 E**
(45) **Date of Reissued Patent:** **Oct. 6, 2015**

(54) **PROPPANT VESSEL BASE**

FOREIGN PATENT DOCUMENTS

(71) Applicant: **Oren Technologies, LLC**, Houston, TX
(US)

JP 10264882 10/1998
WO 2012058059 5/2012

OTHER PUBLICATIONS

(72) Inventors: **John Oren**, Houston, TX (US); **Joshua Oren**, Houston, TX (US)

International Search Report for related International Application No. PCT/US2012/066639, Feb. 25, 2013.

(Continued)

(73) Assignee: **OREN TECHNOLOGIES, LLC**,
Houston, TX (US)

Primary Examiner — Phillip S Hyder

(21) Appl. No.: **29/500,685**

(74) *Attorney, Agent, or Firm* — Hogan Lovells US LLP

(22) Filed: **Aug. 27, 2014**

(57) **CLAIM**

The ornamental design for a proppant vessel base, as shown and described.

Related U.S. Patent Documents

Reissue of:

DESCRIPTION

(64) Patent No.: **Des. 688,349**
Issued: **Aug. 20, 2013**
Appl. No.: **29/436,168**
Filed: **Nov. 2, 2012**

(51) **LOC (10) Cl.** **23-01**

(52) **U.S. Cl.**
USPC **D23/202**

(58) **Field of Classification Search**
USPC D23/202–206; 222/185.1, 460;
206/386, 600; 414/813; 220/581

See application file for complete search history.

FIG. 1 is an upper perspective view of the proppant vessel base showing *an embodiment of our design* [];
FIG. 2 is a front [elevation] *elevational view* [thereof] *of the embodiment of FIG. 1*;
FIG. 3 is a rear [elevation] *elevational view* [thereof] *of the embodiment of FIG. 1*;
FIG. 4 is a right side [elevation] *elevational view* [thereof] *of the embodiment of FIG. 1*;
FIG. 5 is [an opposite] *a left side* [elevation] *elevational view* [thereof] *of the embodiment of FIG. 1*;
FIG. 6 is a top plan view [thereof] *of the embodiment of FIG. 1*; and,
FIG. 7 is a bottom plan view [thereof] *of the embodiment of FIG. 1*.

[The features presented in broken lines are for environmental purposes only and form no part of the claimed design] *The broken lines depict portions of the proppant vessel in which the design is embodied that are not considered part of the claimed design.*

(56) **References Cited**

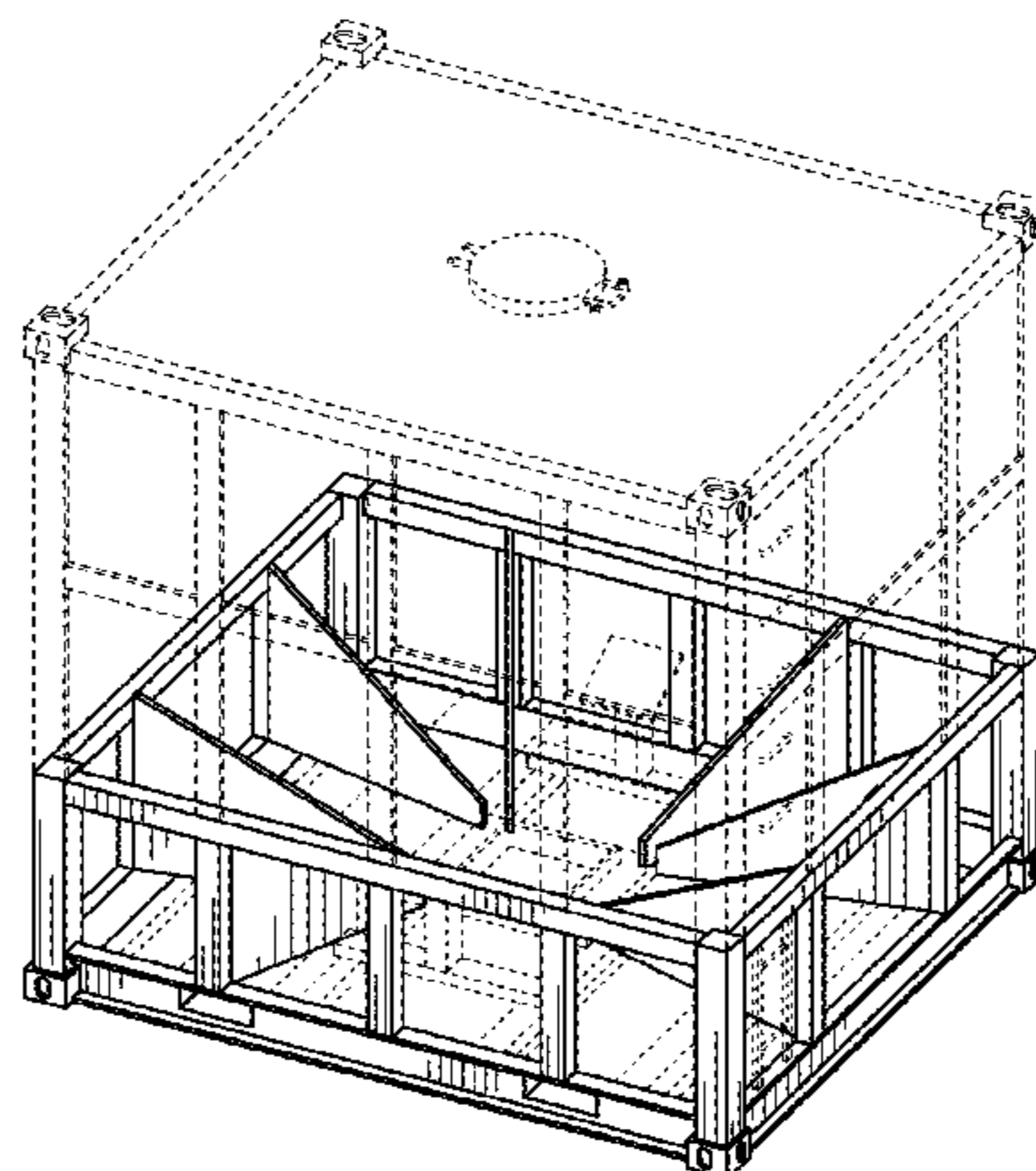
U.S. PATENT DOCUMENTS

137,871 A 4/1873 Worsley
150,894 A 5/1874 Safely
1,143,641 A 6/1915 McGregor
1,331,883 A 2/1920 Stuart
1,573,664 A 2/1926 Wetherill
1,850,000 A 3/1932 Fernand
2,616,758 A 11/1952 Meyers
2,622,771 A 12/1952 Tulou
2,652,174 A 9/1953 Shea et al.

(Continued)

1 Claim, 2 Drawing Sheets

Matter enclosed in heavy brackets [] appears in the original patent but forms no part of this reissue; matter printed in italics indicates the additions made by reissue.



(56)

References Cited

U.S. PATENT DOCUMENTS

2,865,521 A 12/1958 Fisher et al.
 2,894,666 A 7/1959 Campbell, Jr.
 3,090,527 A 5/1963 Rensch
 3,248,026 A 4/1966 Kemp
 3,270,921 A 9/1966 Nadolske et al.
 3,281,006 A 10/1966 Tohchung
 3,294,306 A 12/1966 Areddy
 3,318,473 A 5/1967 Jones et al.
 3,378,152 A 4/1968 Warner
 3,387,570 A 6/1968 Pulcrano et al.
 3,397,654 A 8/1968 Snyder
 3,407,971 A 10/1968 Oehler
 D216,511 S * 1/1970 Coleman D23/202
 3,601,244 A 8/1971 Ort et al.
 3,602,400 A 8/1971 Cooke
 3,661,293 A 5/1972 Gerhard et al.
 3,738,511 A 6/1973 Lemon et al.
 3,785,534 A 1/1974 Smith
 3,986,708 A 10/1976 Hellzel et al.
 4,004,700 A 1/1977 Empey
 4,063,656 A 12/1977 Lambert
 4,138,163 A 2/1979 Calvert et al.
 RE30,358 E 8/1980 Sensibar
 4,247,228 A 1/1981 Gray et al.
 4,265,266 A 5/1981 Kierbow et al.
 4,282,988 A 8/1981 Hulbert, Jr.
 4,350,241 A 9/1982 Wenzel
 4,359,176 A 11/1982 Johnson
 4,363,396 A 12/1982 Wolf et al.
 4,397,406 A 8/1983 Croley
 4,398,653 A 8/1983 Daloisio
 4,402,392 A 9/1983 Fabian et al.
 4,407,202 A 10/1983 McCormick
 4,428,504 A 1/1984 Bassett et al.
 4,449,861 A 5/1984 Saito et al.
 4,608,931 A 9/1986 Ruhmann et al.
 4,626,155 A 12/1986 Hlinsky et al.
 4,701,095 A 10/1987 Berryman et al.
 4,715,754 A 12/1987 Scully
 4,801,389 A 1/1989 Brannon et al.
 4,819,830 A 4/1989 Schultz
 4,848,605 A 7/1989 Wise
 4,909,556 A 3/1990 Koskinen
 4,919,583 A 4/1990 Speakman, Jr.
 4,946,068 A 8/1990 Erickson et al.
 4,975,205 A 12/1990 Sloan
 4,995,522 A 2/1991 Barr
 5,105,858 A 4/1992 Levinson
 5,199,826 A 4/1993 Lawrence
 5,201,546 A 4/1993 Lindsay
 5,224,635 A 7/1993 Wise
 5,286,158 A 2/1994 Zimmerman
 5,373,792 A 12/1994 Pileggi et al.
 5,402,915 A 4/1995 Hogan
 5,441,321 A 8/1995 Karpisek
 5,470,175 A 11/1995 Jensen et al.
 5,538,286 A 7/1996 Hoff
 5,564,599 A 10/1996 Barber et al.
 5,613,446 A 3/1997 DiLuigi et al.
 RE35,580 E 8/1997 Heider et al.
 5,690,466 A 11/1997 Gaddis et al.
 5,704,477 A * 1/1998 Hermann et al. 206/386
 5,782,524 A 7/1998 Heider et al.
 5,806,863 A 9/1998 Heger et al.
 5,836,480 A 11/1998 Epp et al.
 5,911,337 A 6/1999 Bedeker
 5,927,558 A 7/1999 Bruce
 5,971,219 A 10/1999 Karpisek
 6,002,063 A 12/1999 Bilak et al.
 6,069,118 A 5/2000 Hinkel et al.
 6,109,486 A 8/2000 Lee, Jr.
 6,120,233 A 9/2000 Adam
 6,155,175 A 12/2000 Rude et al.
 6,190,107 B1 2/2001 Lanigan et al.
 6,192,985 B1 2/2001 Hinkel et al.

6,205,938 B1 3/2001 Foley et al.
 6,247,594 B1 6/2001 Garton
 6,283,212 B1 9/2001 Hinkel et al.
 6,306,800 B1 10/2001 Samuel et al.
 6,328,183 B1 12/2001 Coleman
 6,401,983 B1 6/2002 McDonald et al.
 6,415,909 B1 7/2002 Mitchell et al.
 6,457,291 B2 10/2002 Wick
 6,508,615 B2 1/2003 Taylor
 6,660,693 B2 12/2003 Miller et al.
 6,720,290 B2 4/2004 England et al.
 6,772,912 B1 8/2004 Schall et al.
 6,776,235 B1 8/2004 England
 6,783,032 B2 8/2004 Fons
 6,828,280 B2 12/2004 England et al.
 6,835,041 B1 12/2004 Albert
 6,902,061 B1 6/2005 Elstone
 6,915,854 B2 7/2005 England et al.
 6,968,946 B2 11/2005 Shuert
 7,036,662 B2 * 5/2006 Schutz 206/386
 7,084,095 B2 8/2006 Lee et al.
 7,104,425 B2 9/2006 Le Roy
 7,140,516 B2 11/2006 Bothor
 7,240,681 B2 7/2007 Saik
 7,252,309 B2 8/2007 Eng Soon
 7,284,579 B2 10/2007 Elgan et al.
 7,316,333 B2 1/2008 Wegner
 7,475,796 B2 1/2009 Garton
 7,837,427 B2 11/2010 Beckel
 7,878,327 B2 * 2/2011 Cassina 206/386
 7,897,223 B2 * 3/2011 Schubbach et al. 428/35.7
 7,921,783 B2 4/2011 Forbes et al.
 7,958,995 B2 * 6/2011 Dedmon et al. 206/386
 7,967,161 B2 6/2011 Townsend
 8,083,083 B1 12/2011 Mohns
 8,201,520 B2 6/2012 Meritt
 8,616,370 B2 12/2013 Allegretti
 8,887,914 B2 11/2014 Allegretti
 2001/0022308 A1 9/2001 Epp et al.
 2003/0111470 A1 6/2003 Fouillet et al.
 2004/0084874 A1 5/2004 McDougall et al.
 2004/0245284 A1 12/2004 Mehus et al.
 2005/0201851 A1 9/2005 Jonkka
 2006/0180062 A1 8/2006 Furrer et al.
 2006/0180232 A1 8/2006 Glewwe et al.
 2006/0239806 A1 10/2006 Yelton
 2006/0267377 A1 11/2006 Lusk et al.
 2007/0125543 A1 6/2007 McNeel et al.
 2008/0008562 A1 1/2008 Beckel et al.
 2008/0029546 A1 2/2008 Shuld
 2008/0029553 A1 2/2008 Culleton
 2008/0179054 A1 7/2008 McGough et al.
 2008/0179324 A1 7/2008 McGough et al.
 2008/0213073 A1 9/2008 Benedict et al.
 2008/0226434 A1 9/2008 Smith et al.
 2008/0264641 A1 10/2008 Slabaugh et al.
 2009/0038242 A1 2/2009 Cope
 2009/0078410 A1 3/2009 Krenek et al.
 2010/0038143 A1 2/2010 Burnett et al.
 2010/0040446 A1 2/2010 Renyer
 2011/0011893 A1 1/2011 Cerny
 2011/0101040 A1 5/2011 Weissbrod
 2012/0219391 A1 8/2012 Teichrob et al.
 2013/0022441 A1 1/2013 Uhryn et al.
 2013/0206415 A1 8/2013 Sheesley
 2013/0209204 A1 8/2013 Sheesley
 2014/0097182 A1 4/2014 Sheesley
 2014/0166647 A1 6/2014 Sheesley
 2014/0203046 A1 7/2014 Allegretti
 2014/0234059 A1 8/2014 Thomeer
 2014/0321950 A1 10/2014 Krenek et al.

OTHER PUBLICATIONS

International Search Report for related International Application No. PCT/US2013/035442, Jun. 23, 2013.
 International Search Report for related International Application No. PCT/US2013/032819, May 23, 2013.
 International Search Report for related International Application No. PCT/US2013/049028, Mar. 4, 2014.

(56)

References Cited

OTHER PUBLICATIONS

International Preliminary Report on Patentability for PCT/US2012/
066639, Feb. 26, 2013.

International Preliminary Report on Patentability for PCT/US2013/
032819, Sep. 23, 2014.

* cited by examiner

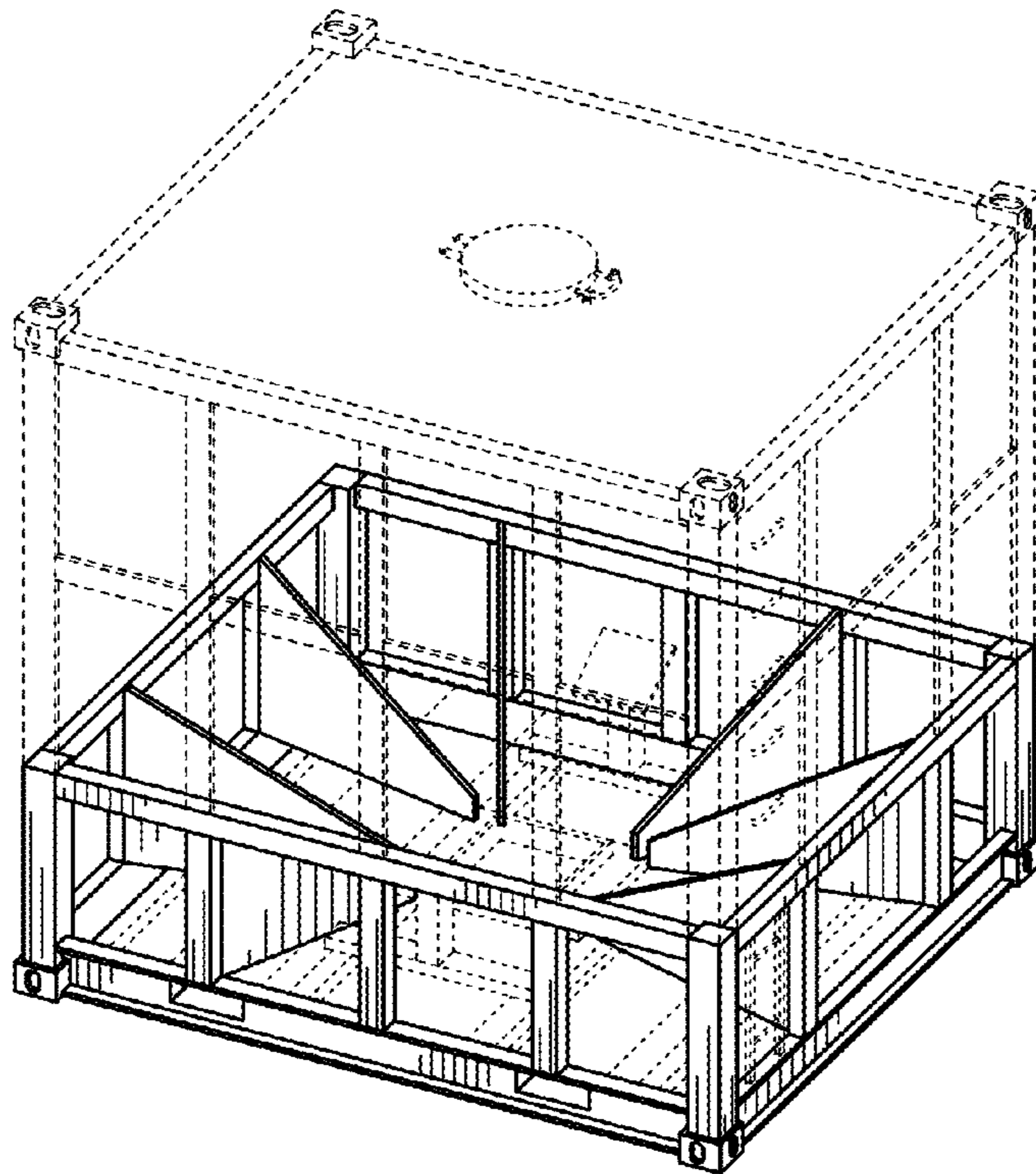


FIG. 1

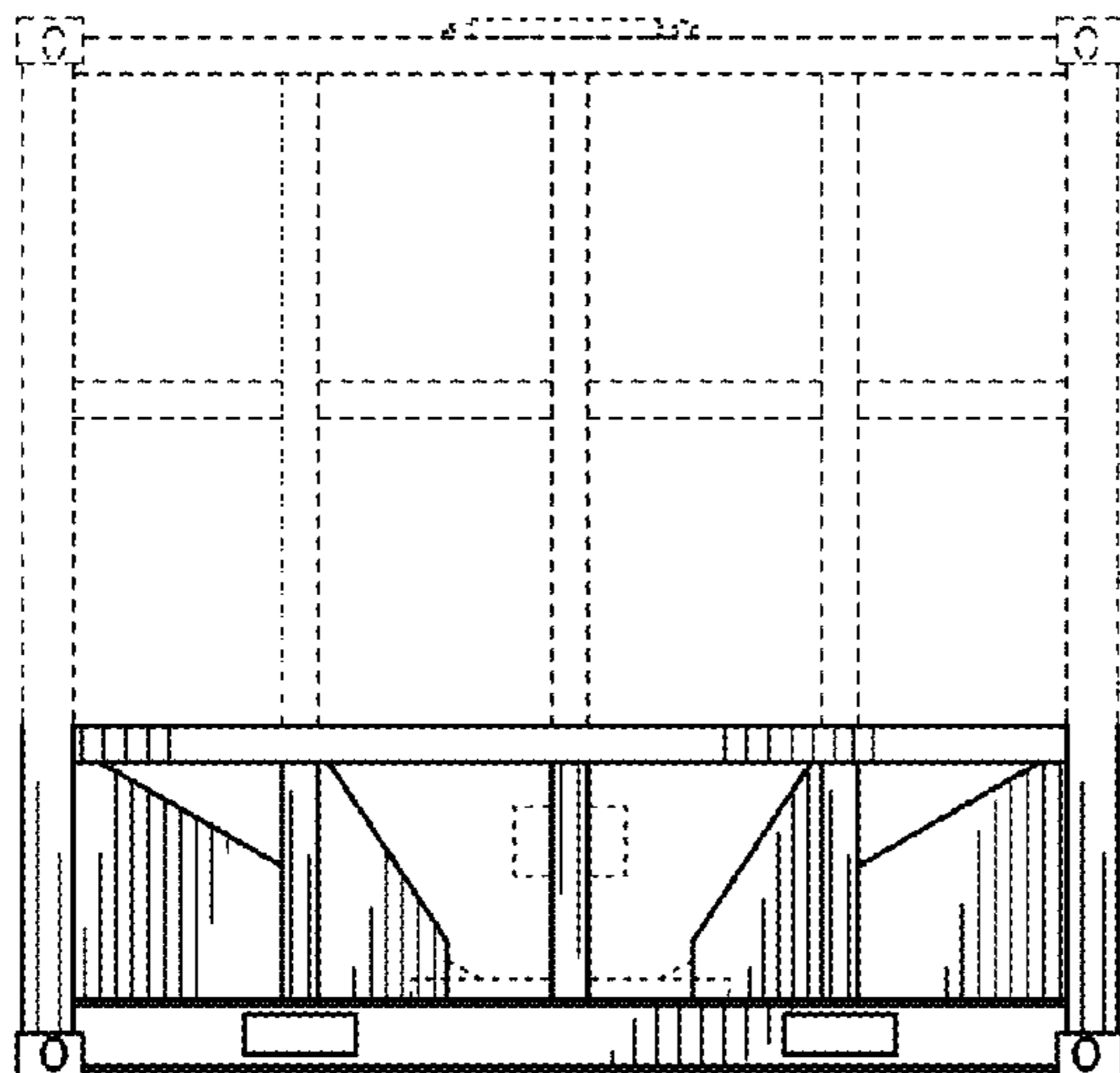


FIG. 2
Amended

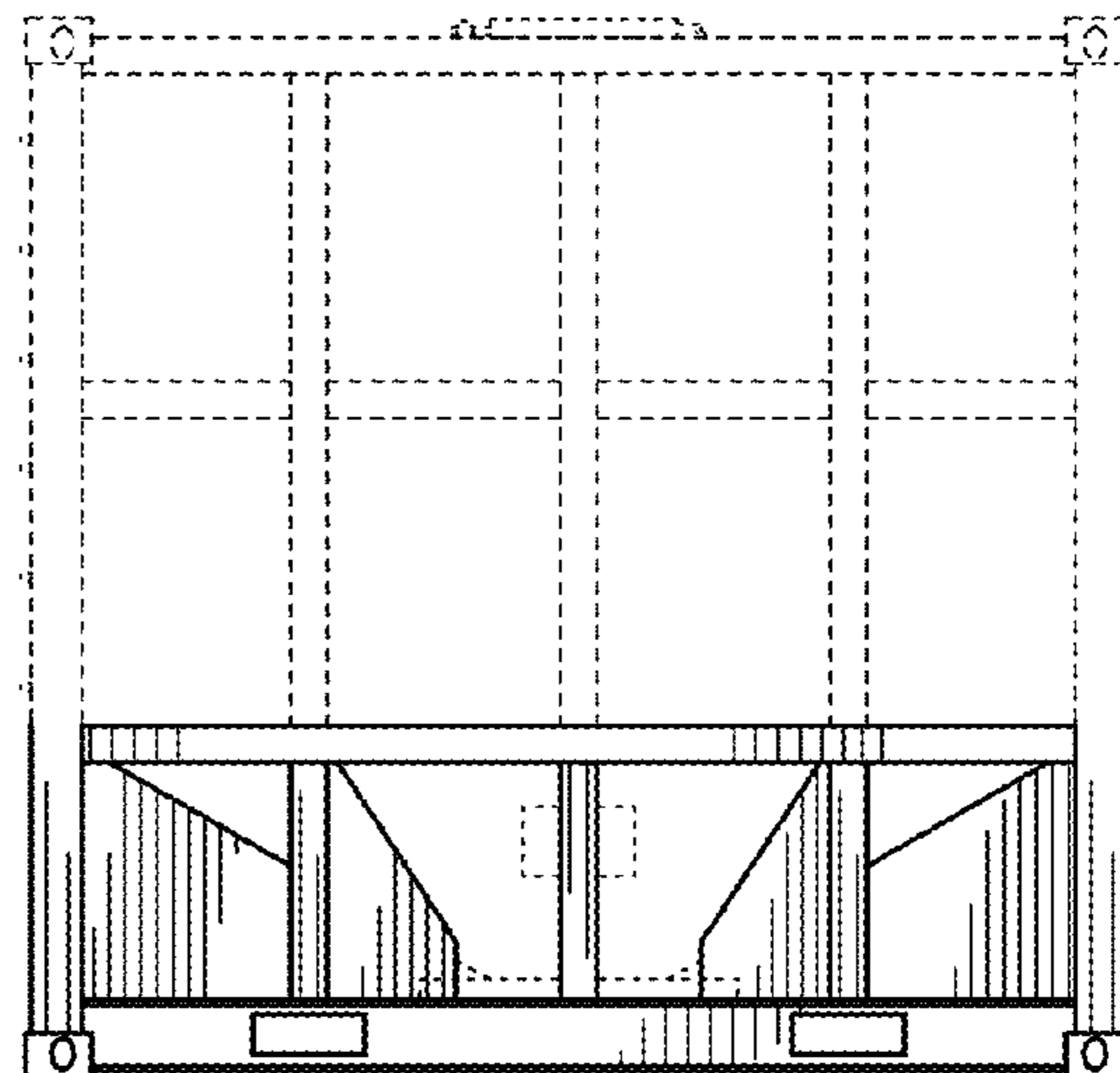


FIG. 3
Amended

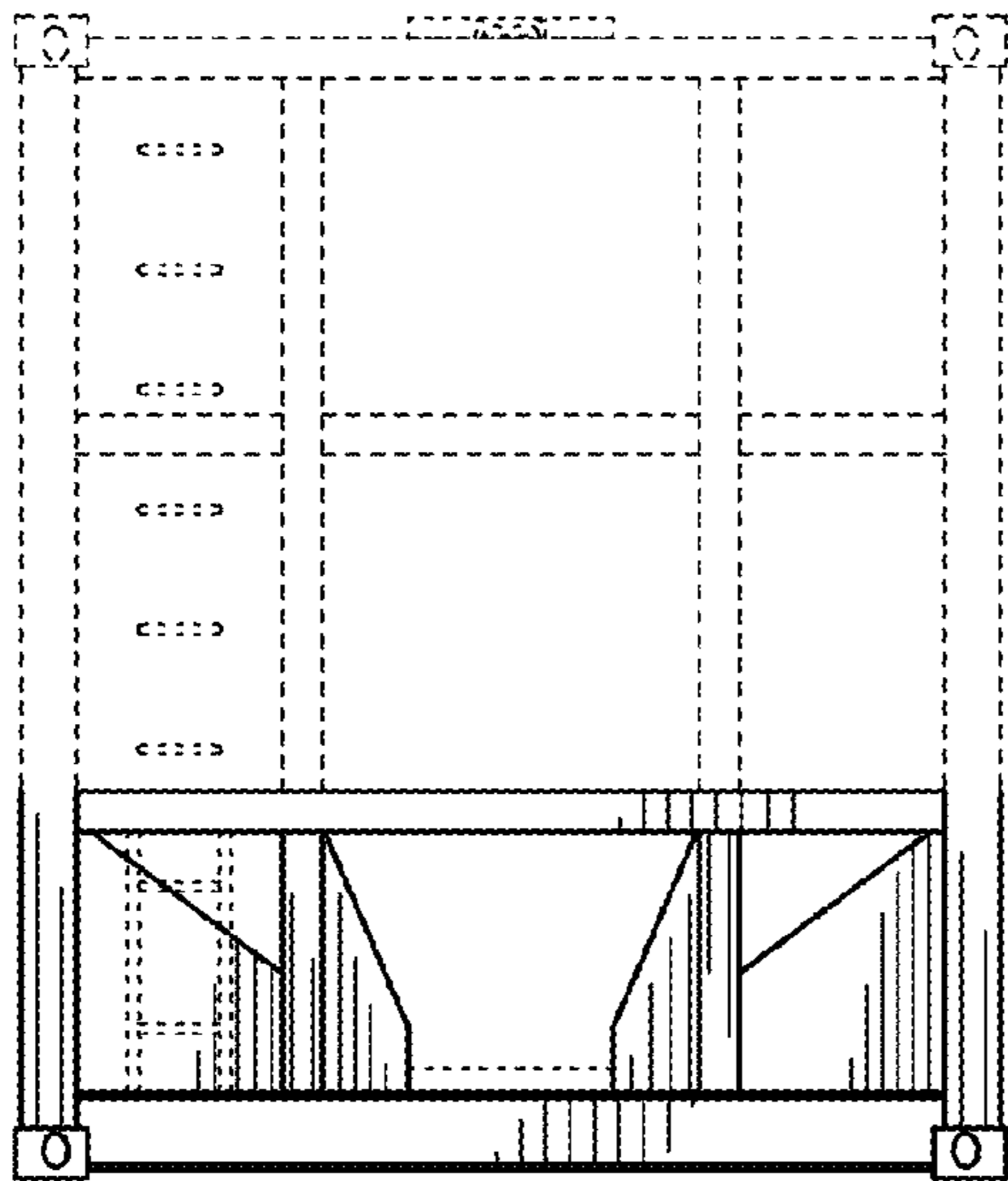


FIG. 4
Amended

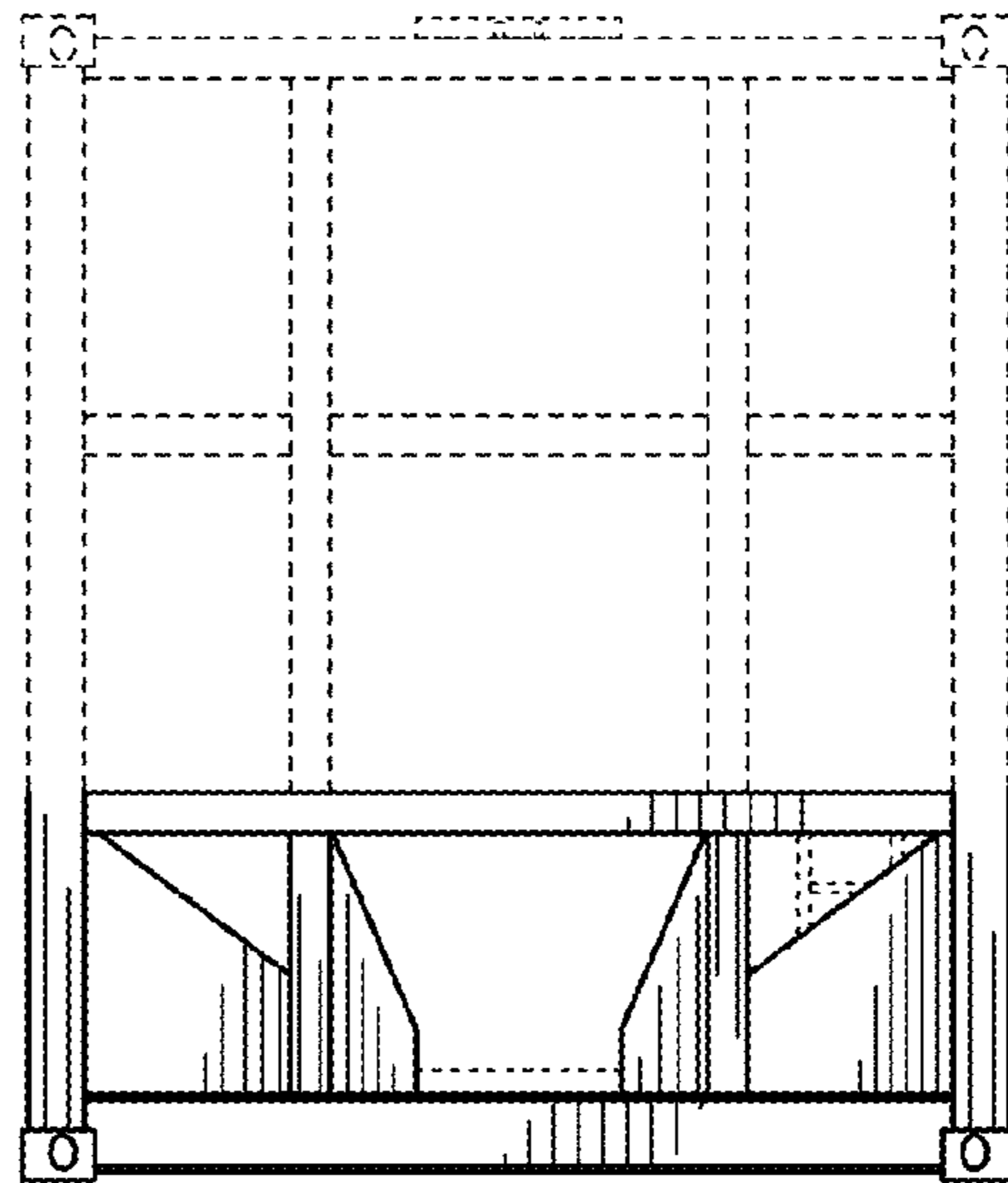


FIG. 5
Amended

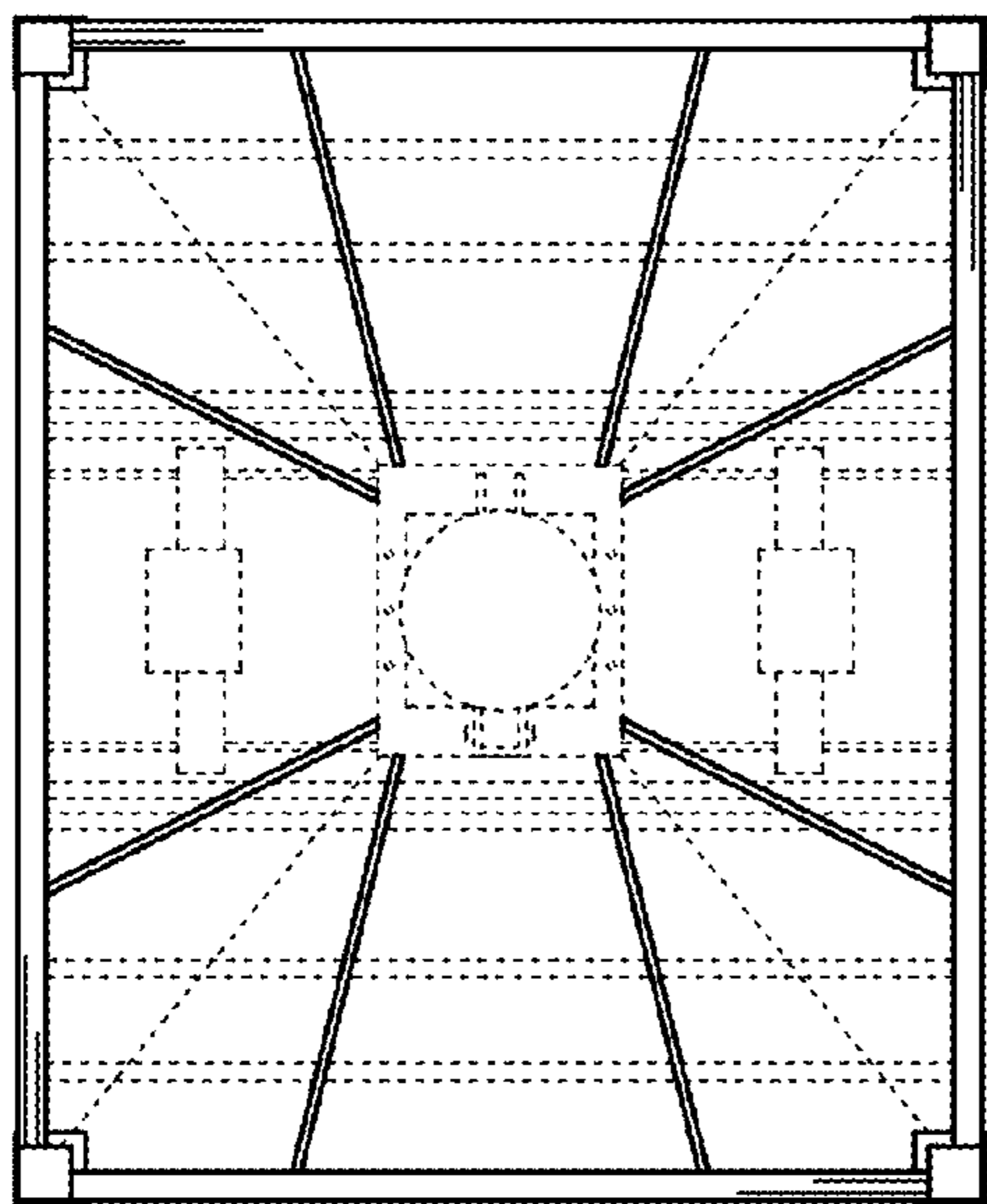


FIG. 6

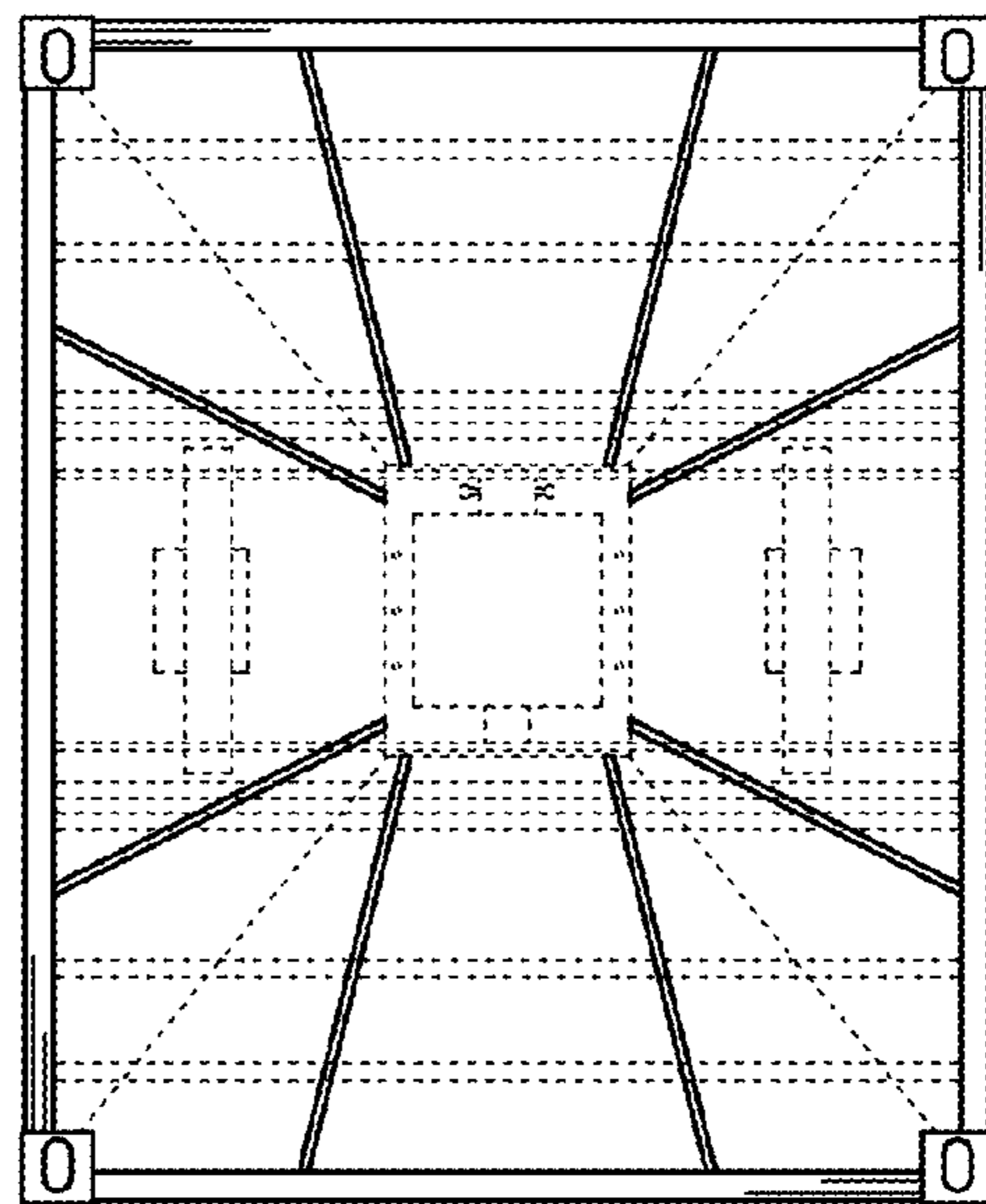


FIG. 7
Amended