

US00RE45710E

(19) **United States**
(12) **Reissued Patent**
Guimaraes

(10) **Patent Number:** **US RE45,710 E**
(45) **Date of Reissued Patent:** **Oct. 6, 2015**

(54) **LOCKING PIN ASSEMBLY FOR AN EXCAVATOR WEAR MEMBER**
(71) Applicant: **CQMS Pty Ltd**, Mackay (AU)
(72) Inventor: **Miguel Guimaraes**, Mackay (AU)
(73) Assignee: **CQMS Pty Limited**, Queensland (AU)
(21) Appl. No.: **29/463,598**
(22) Filed: **Nov. 22, 2013**

7,162,818 B2 * 1/2007 Ruvang et al. 37/456
7,313,877 B2 * 1/2008 Clendenning et al. 37/456
D581,248 S * 11/2008 Wu et al. D8/343
7,603,799 B2 * 10/2009 Campomanes 37/456
D614,476 S * 4/2010 Buhse D8/343
2002/0023375 A1 * 2/2002 Pippins 37/457
2006/0037219 A1 * 2/2006 Robinson et al. 37/456
2006/0236567 A1 * 10/2006 Adamic 37/452
2008/0209772 A1 * 9/2008 Cui 37/456
2009/0205228 A1 * 8/2009 Ruvang 37/456
2010/0162595 A1 * 7/2010 Leslie et al. 37/456
2010/0170119 A1 * 7/2010 Lopez Almendros et al. .. 37/452
2010/0229433 A1 * 9/2010 Leslie et al. 37/456

* cited by examiner

Related U.S. Patent Documents

Reissue of:

(64) Patent No.: **Des. 634,605**
Issued: **Mar. 22, 2011**
Appl. No.: **29/362,308**
Filed: **May 24, 2010**

Primary Examiner — Phillip S Hyder

(74) Attorney, Agent, or Firm — Blank Rome LLP

(57) **CLAIM**

The ornamental design for a locking pin assembly for an excavator wear member, as shown and described.

(30) **Foreign Application Priority Data**

Dec. 11, 2009 (AU) 14862/2009

(51) **LOC (10) CL.** **08-07**

(52) **U.S. CL.**
USPC **D8/343**

(58) **Field of Classification Search**
USPC D15/28; D8/343, 330, 331, 339;
403/220, 154, 156; 37/446, 455, 456,
37/459; 70/14, 51, 52, 57, 262, 431;
299/102; 172/713

See application file for complete search history.

(56) **References Cited**

U.S. PATENT DOCUMENTS

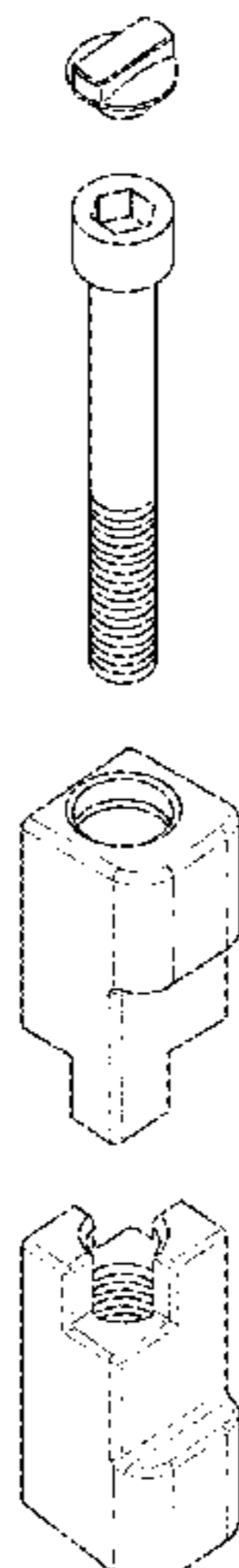
3,526,435 A * 9/1970 Krekeler 299/109
5,074,062 A * 12/1991 Hahn et al. 37/456
5,617,655 A * 4/1997 Launder et al. 37/457
5,937,550 A * 8/1999 Emrich 37/458
5,992,063 A * 11/1999 Mack 37/450
6,439,796 B1 * 8/2002 Ruvang et al. 403/157
6,735,890 B2 * 5/2004 Carpenter et al. 37/456
6,757,995 B2 * 7/2004 Pippins 37/468

DESCRIPTION

FIG. 1 is a top view of a locking pin assembly for an excavator wear member showing my new design;
FIG. 2 is a left side view thereof;
FIG. 3 is a front view thereof;
FIG. 4 is a right side view thereof;
FIG. 5 is a rear view thereof;
FIG. 6 is a bottom view thereof;
FIG. 7 is a front perspective view thereof;
FIG. 8 is an exploded left side view thereof;
FIG. 9 is an exploded front lower perspective view thereof;
and,
FIG. 10 is an exploded front upper perspective view thereof.
The broken lines depict portions of the pocket cutter in which the design is embodied that are not considered part of the claimed design.

1 Claim, 3 Drawing Sheets

Matter enclosed in heavy brackets [] appears in the original patent but forms no part of this reissue; matter printed in italics indicates the additions made by reissue.



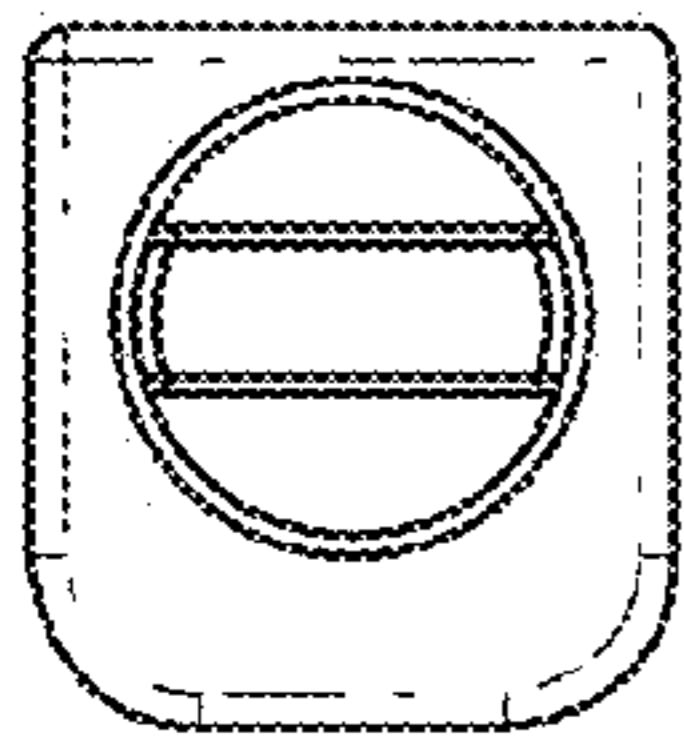


FIG. 1

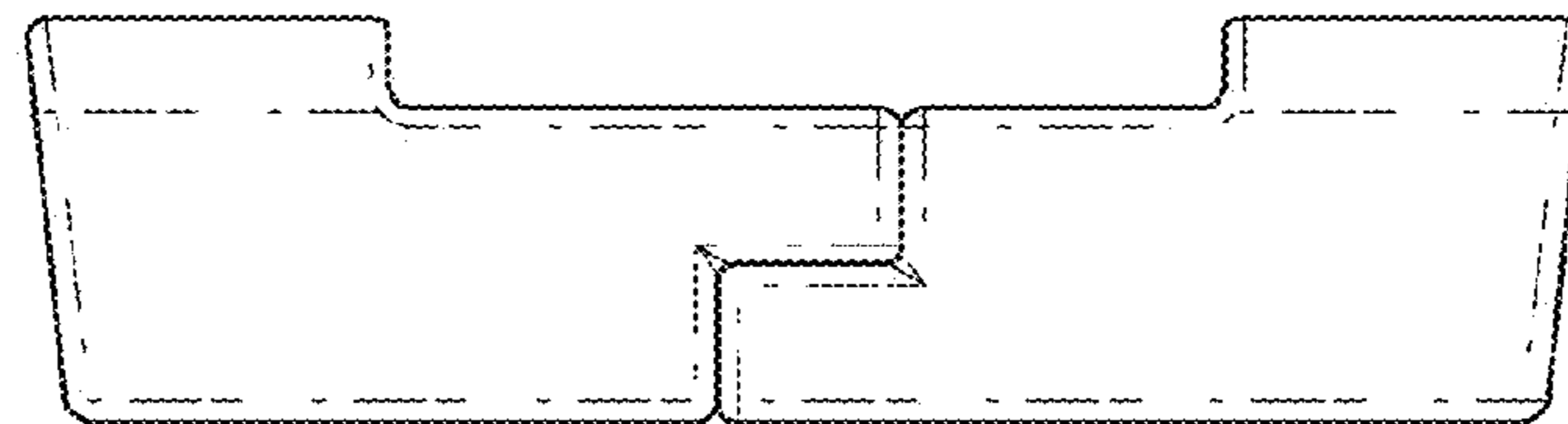


FIG. 2

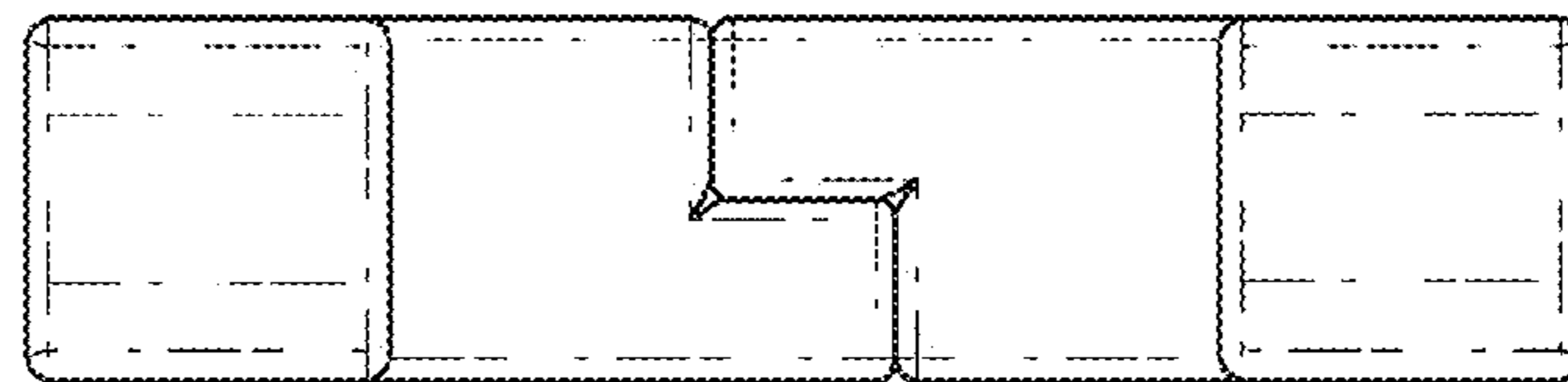


FIG. 3

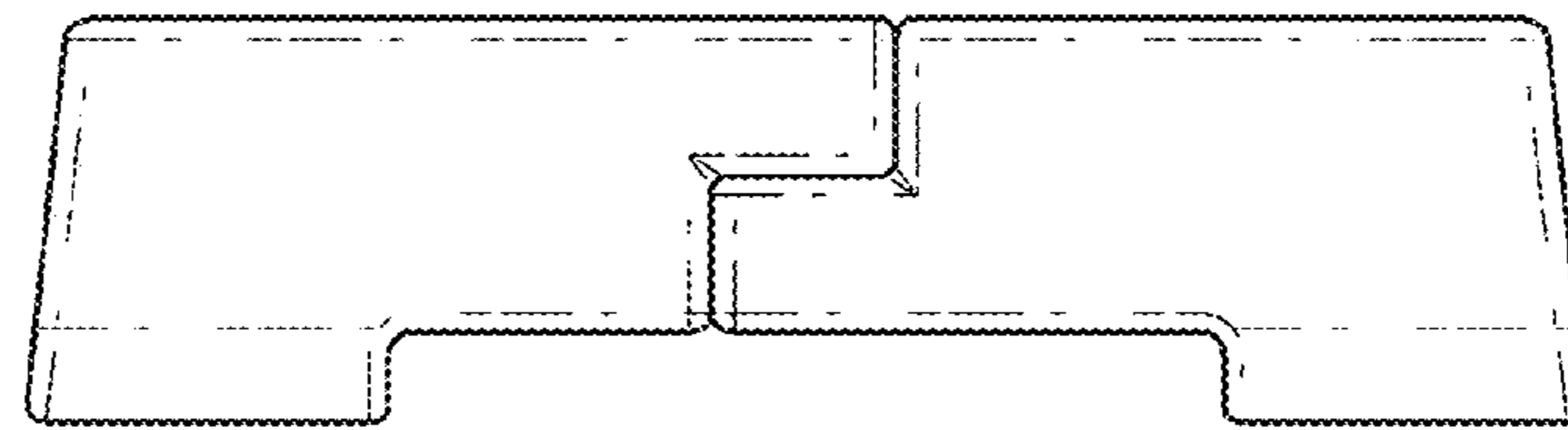


FIG. 4

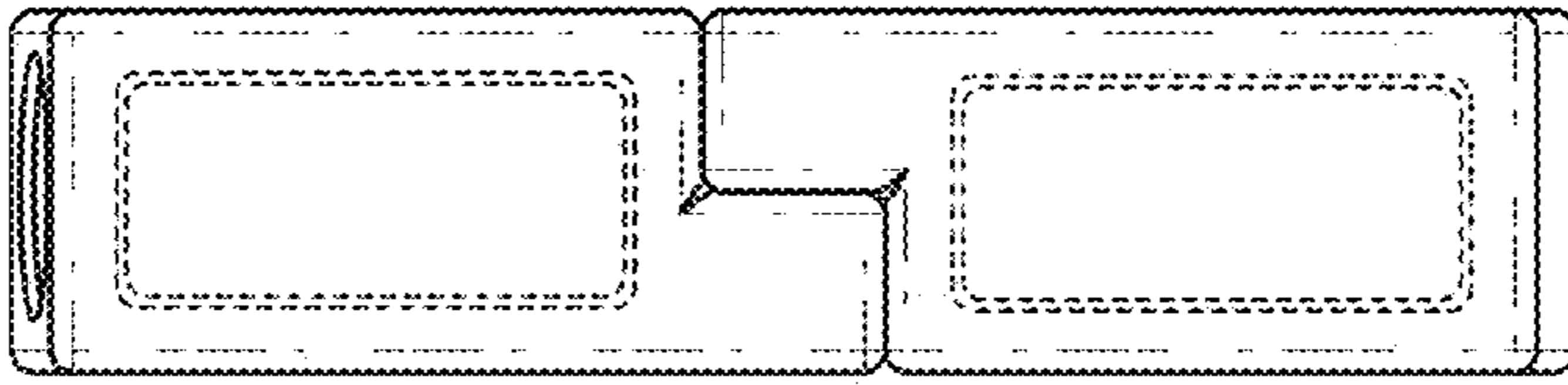


FIG. 5

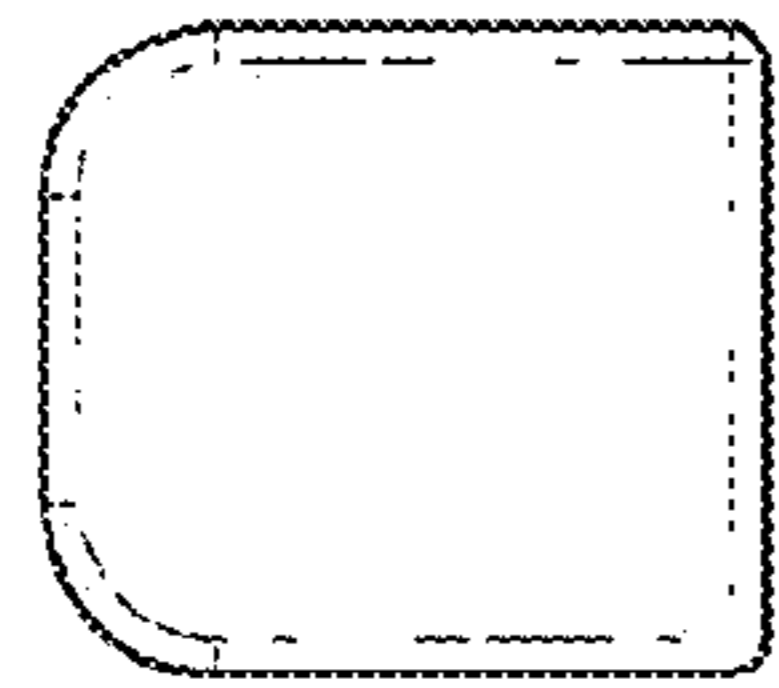


FIG. 6

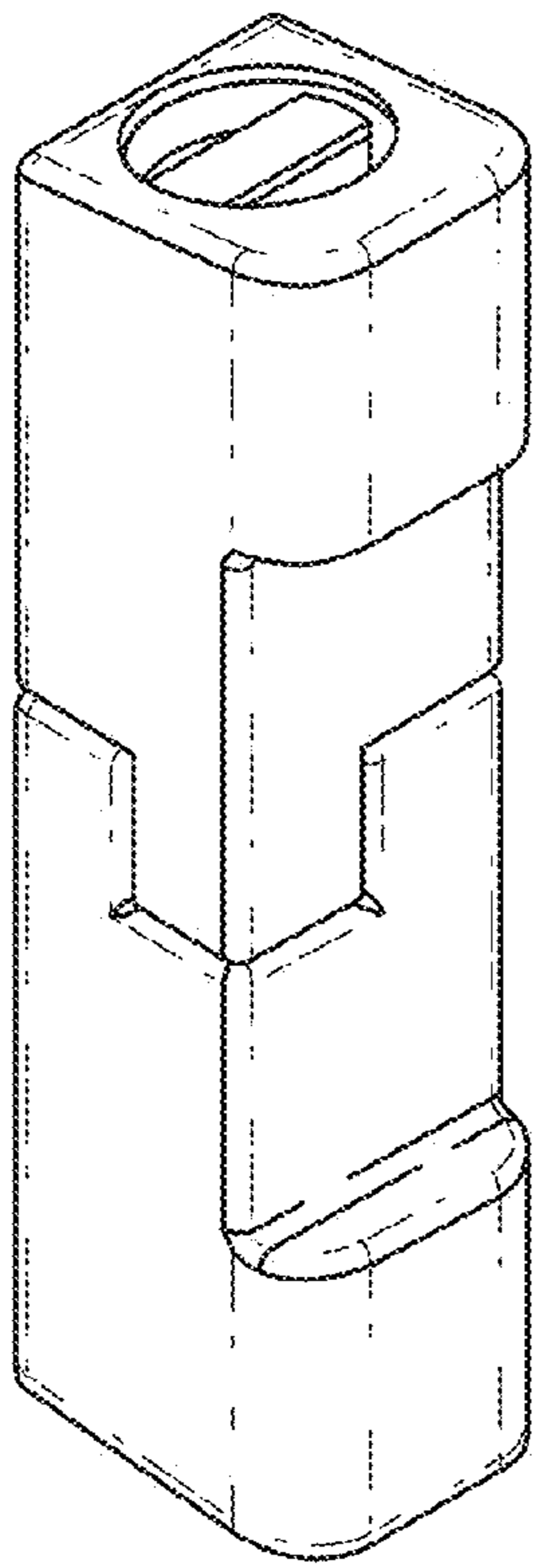


FIG. 7

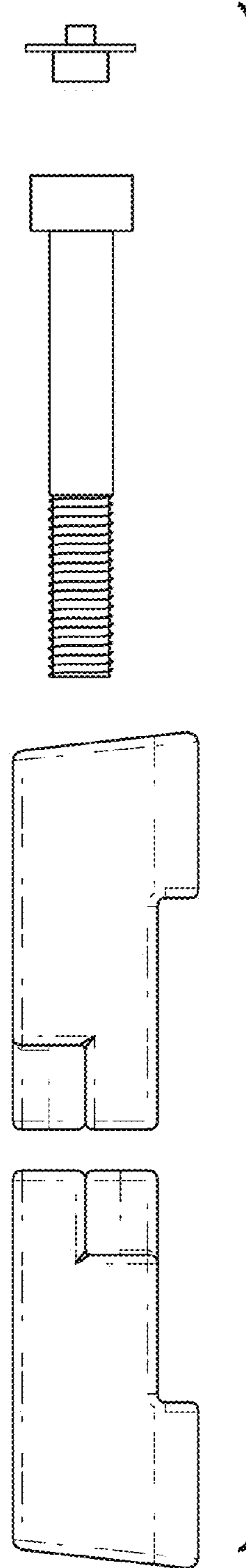


FIG. 8

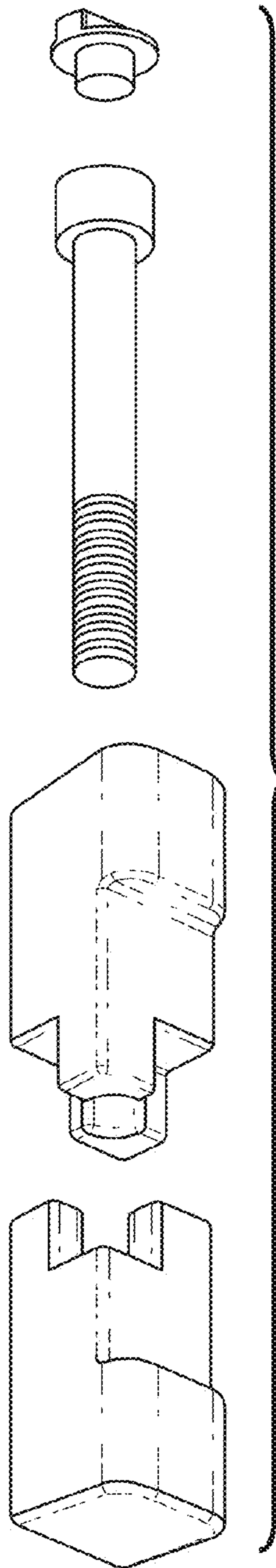


FIG. 9

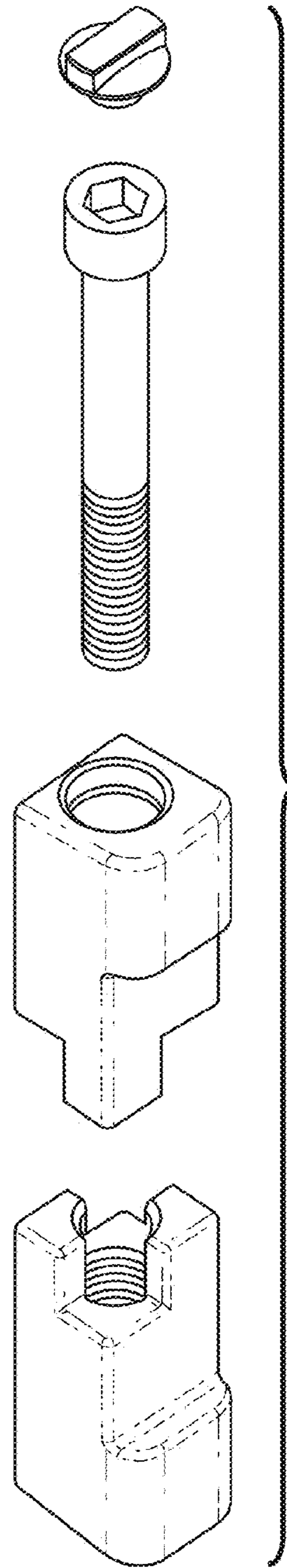


FIG. 10