



US00RE45674E

(19) **United States**
(12) **Reissued Patent**
Evans

(10) **Patent Number:** **US RE45,674 E**
(45) **Date of Reissued Patent:** **Sep. 29, 2015**

(54) **DOG HARNESS**

(71) Applicant: **Alecia B. Evans**, Basalt, CO (US)

(72) Inventor: **Alecia B. Evans**, Basalt, CO (US)

(21) Appl. No.: **29/479,598**

(22) Filed: **Jan. 17, 2014**

Related U.S. Patent Documents

Reissue of:

(64) Patent No.: **Des. 652,581**
Issued: **Jan. 17, 2012**
Appl. No.: **29/389,726**
Filed: **Apr. 15, 2011**

U.S. Applications:

(62) Division of application No. 29/367,234, filed on Aug. 4, 2010, now Pat. No. Des. 643,580.

(51) **LOC (10) Cl.** **30-04**

(52) **U.S. Cl.**
USPC **D30/152**

(58) **Field of Classification Search**
USPC D30/152, 144, 151, 153, 154; 119/702, 119/712, 792-798, 758, 760, 769, 770, 784, 119/815, 818, 856, 863, 864, 905, 907, 802, 119/857, 865, 725, 771; D21/805, 804; D3/217, 327, 271.2; D29/101.1, 101.5, D29/101.3; D24/190; D34/28; 54/71
See application file for complete search history.

(56) **References Cited**

U.S. PATENT DOCUMENTS

1,508,601 A * 9/1924 Huff 119/792
1,906,043 A * 4/1933 Bernstein 119/856
2,187,021 A * 1/1940 Everson 119/792
2,605,744 A * 8/1952 Urbanski 119/863
4,597,359 A * 7/1986 Moorman 119/28.5
D293,139 S * 12/1987 Roa D30/152

(Continued)

OTHER PUBLICATIONS

<http://www.overstock.com/Pet-Supplies/Majestic-Pets-Nylon-12-to-20-inch-Easy-Adjustable-Dog-Harness/3324654/product.html>
Majestic Pet Adjustable Dog Harness.

(Continued)

Primary Examiner — Phillip S Hyder

(74) *Attorney, Agent, or Firm* — Margaret Polson; Polson Intellectual Property Law PC

(57) **CLAIM**

The ornamental design for a dog harness, as shown and described.

DESCRIPTION

FIG. 1 is a bottom perspective view of my new design for a dog harness with the evenly dotted lines showing stitching, which is part of the claimed design, and a snap hook and buckles in dot and dash lines which is for illustrative purposes to show where the leash can be attached and does not form part of the claimed design.

FIG. 2 is a [right and] left side elevation view, which are mirror images, of FIG. 1, wherein the right side elevation view is a mirror image;

FIG. 3 is a front side elevation view of FIG. 1;

FIG. 4 is a [back] rear side elevation view of FIG. 1;

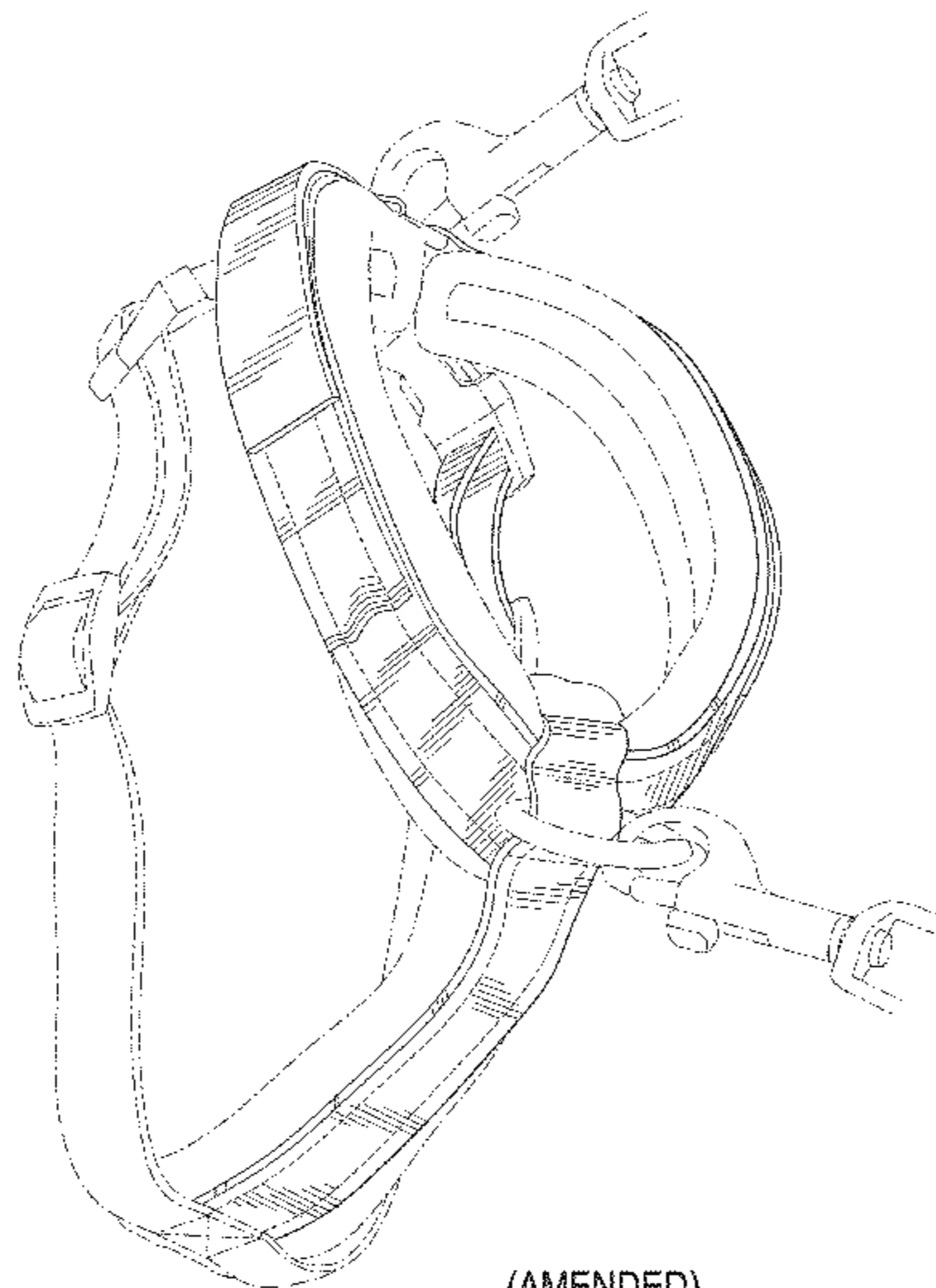
FIG. 5 is a top plan view of FIG. 1; and,

FIG. 6 is a bottom plan view of FIG. 1.

The broken lines depict portions of the dog harness in which the design is embodied that are not considered part of the claimed design.

1 Claim, 4 Drawing Sheets

Matter enclosed in heavy brackets [] appears in the original patent but forms no part of this reissue; matter printed in italics indicates the additions made by reissue.



(56)

References Cited

U.S. PATENT DOCUMENTS

D310,435 S * 9/1990 Cleveland D30/152
 5,247,905 A * 9/1993 Arakawa 119/863
 5,370,083 A * 12/1994 Sporn 119/864
 5,427,061 A * 6/1995 McCullough 119/771
 5,471,953 A * 12/1995 Sporn 119/792
 D366,542 S * 1/1996 Pierson D30/152
 5,611,298 A * 3/1997 Sporn 119/792
 5,676,093 A * 10/1997 Sporn 119/792
 5,794,571 A * 8/1998 Goldberg 119/792
 5,915,335 A * 6/1999 Holt, Jr. 119/771
 D424,761 S * 5/2000 Mortenson D30/152
 6,101,979 A * 8/2000 Wilson et al. 119/725
 D434,535 S * 11/2000 Koch D30/152
 6,161,505 A * 12/2000 Noguero 119/792
 6,164,245 A * 12/2000 Johnson 119/712
 6,213,057 B1 * 4/2001 Franco et al. 119/793
 6,314,915 B1 * 11/2001 Pope et al. 119/712
 6,450,130 B1 * 9/2002 Goldberg 119/792

6,463,888 B2 * 10/2002 Clark 119/856
 6,694,923 B1 * 2/2004 Fouche 119/792
 7,107,939 B2 * 9/2006 Lady 119/792
 7,140,326 B2 * 11/2006 Jenny et al. 119/770
 7,165,511 B1 * 1/2007 Brezinski 119/792
 7,311,063 B2 * 12/2007 Goldberg 119/771
 7,357,099 B2 * 4/2008 Smith et al. 119/771
 7,387,087 B2 * 6/2008 Lady 119/792
 D591,011 S * 4/2009 Madere et al. D30/152
 7,757,641 B1 * 7/2010 Worden 119/856
 D632,850 S * 2/2011 Light et al. D30/152
 2004/0000273 A1 * 1/2004 Lady 119/792
 2004/0025804 A1 * 2/2004 Smith et al. 119/792
 2006/0112903 A1 * 6/2006 Zutis et al. 119/792
 2007/0266960 A1 * 11/2007 Mugford 119/792
 2008/0047501 A1 * 2/2008 Madere et al. 119/863

OTHER PUBLICATIONS

<http://www.softouchconcepts.com/index.php/how-to-54/how-to-fit>.

* cited by examiner

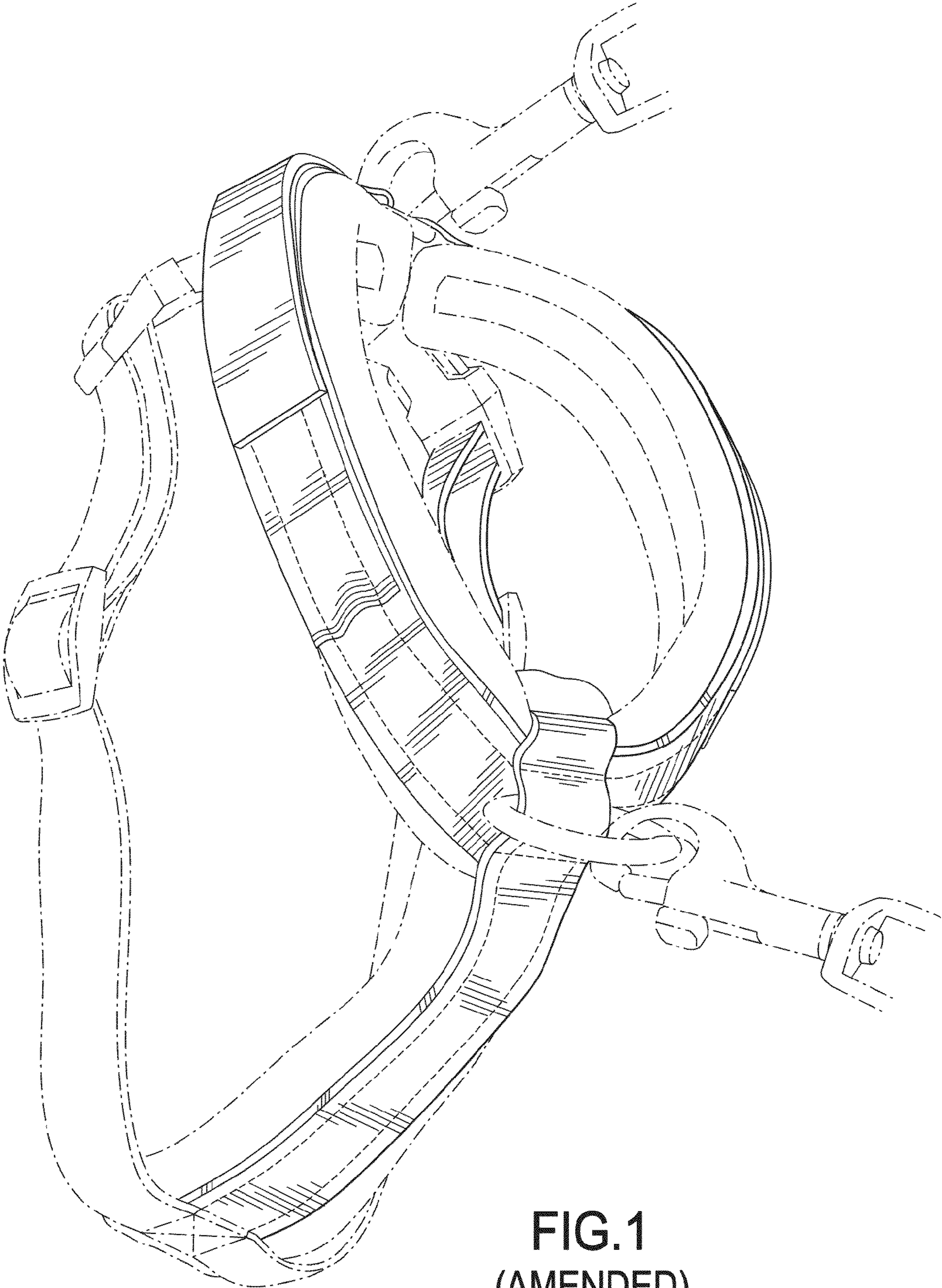


FIG.1
(AMENDED)

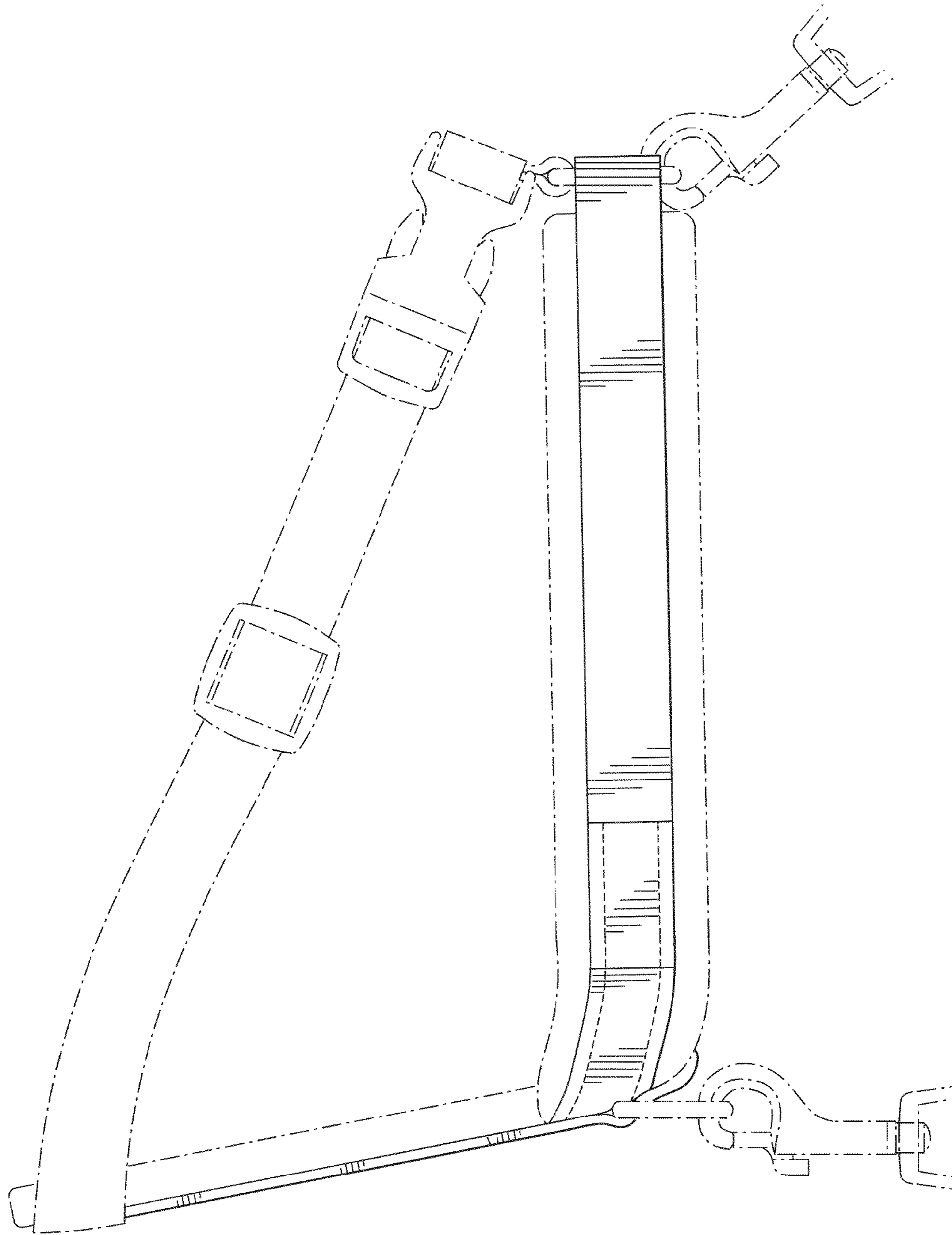


FIG.2
(AMENDED)

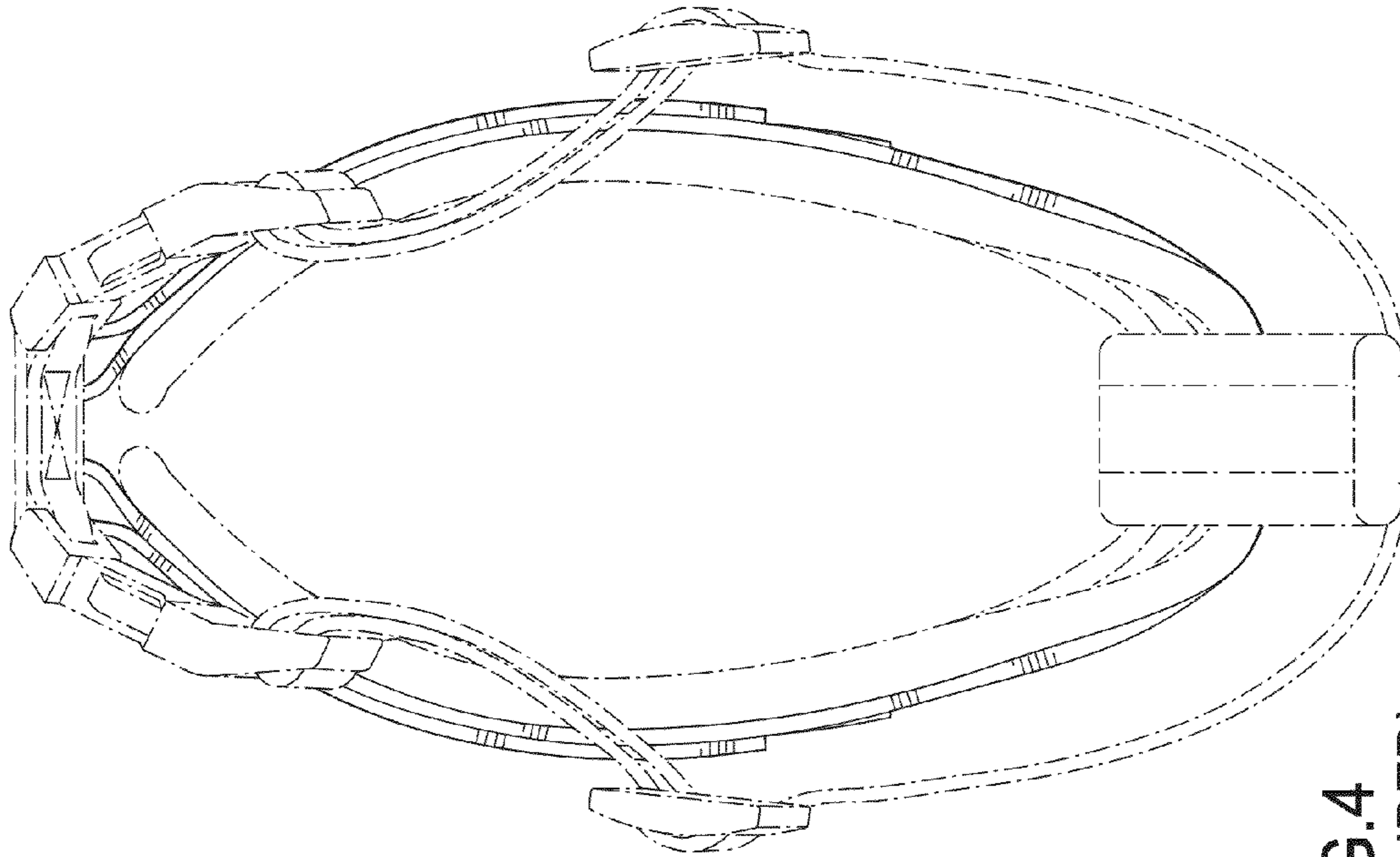


FIG. 4
(AMENDED)

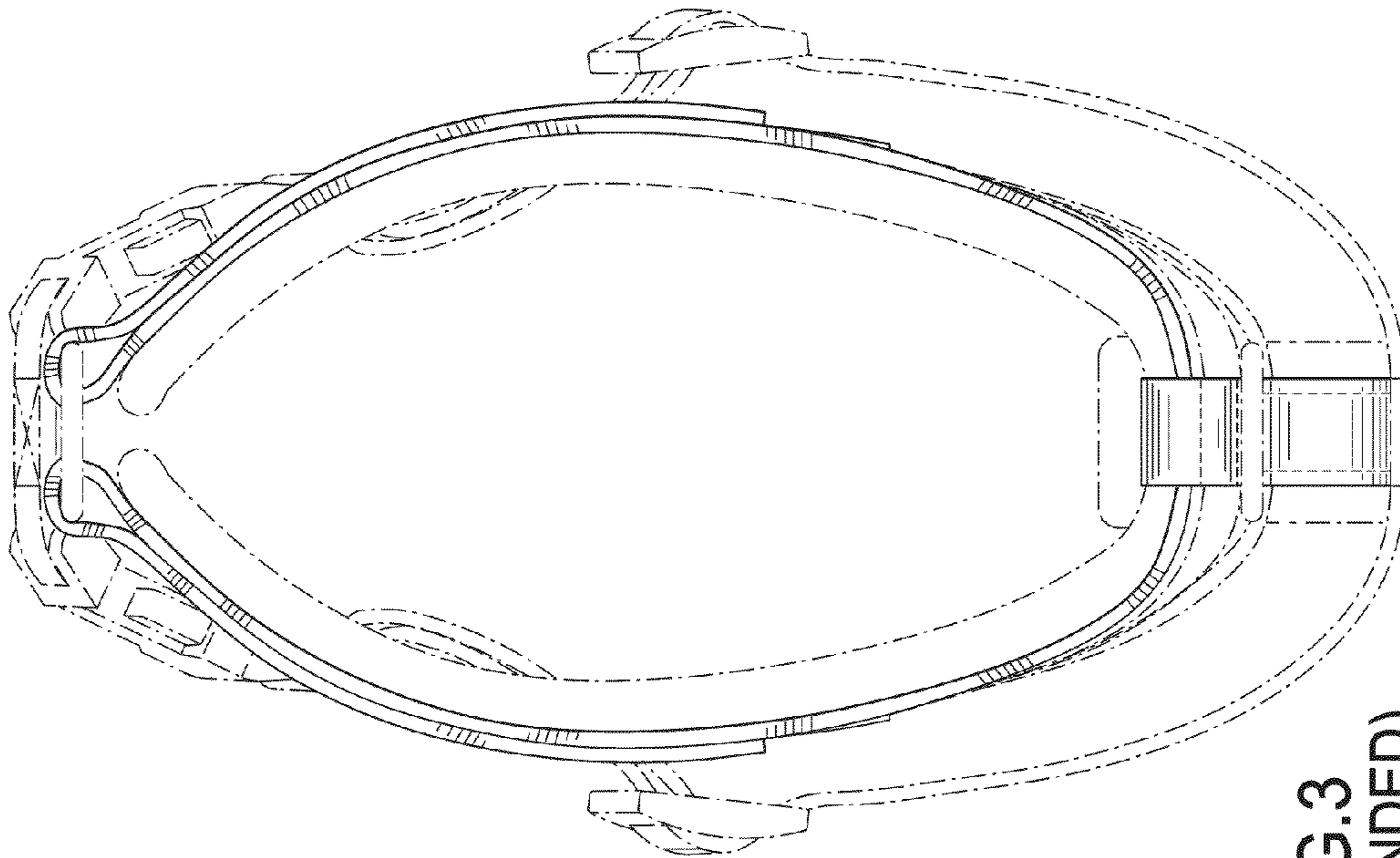


FIG. 3
(AMENDED)

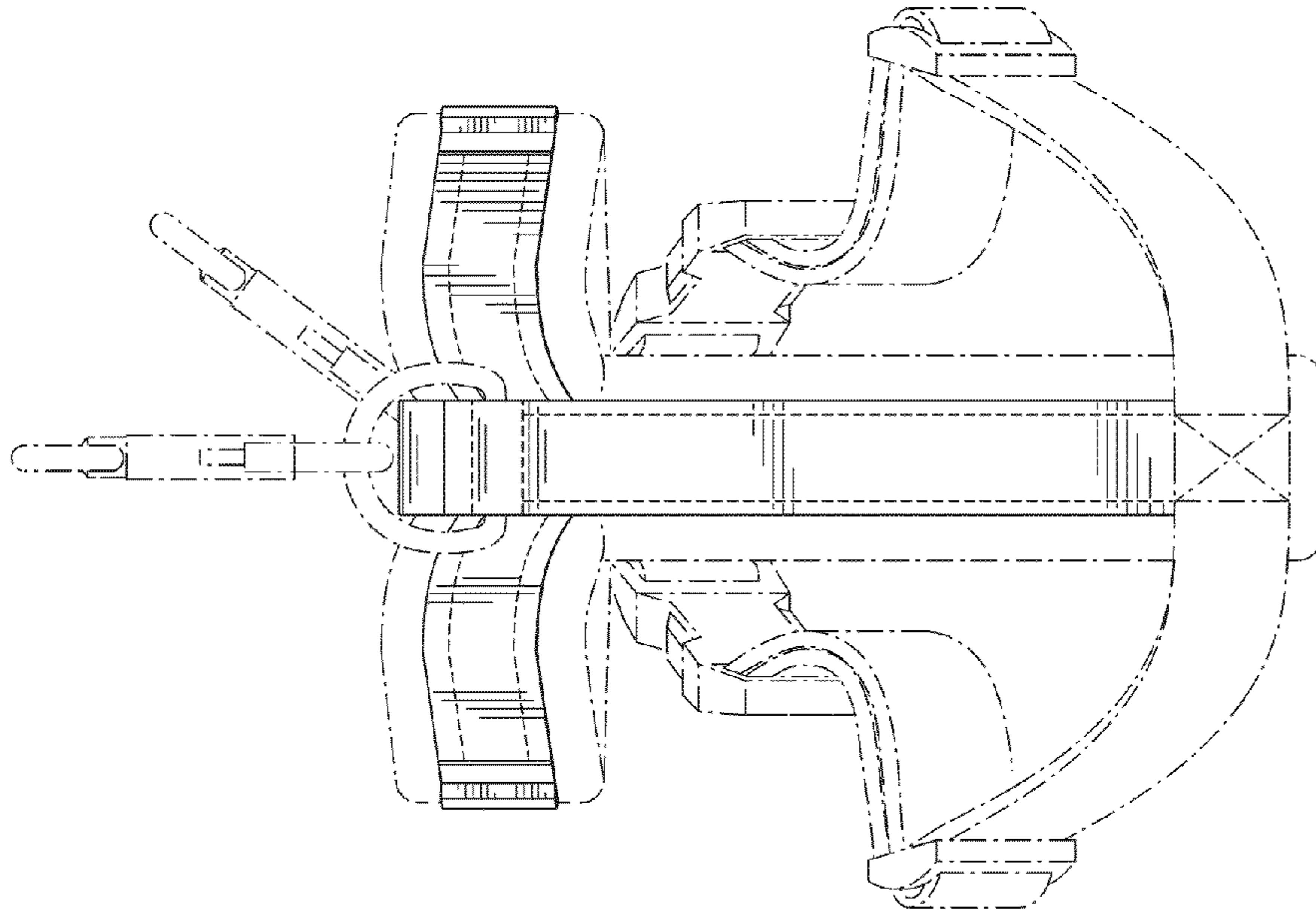


FIG.6
(AMENDED)

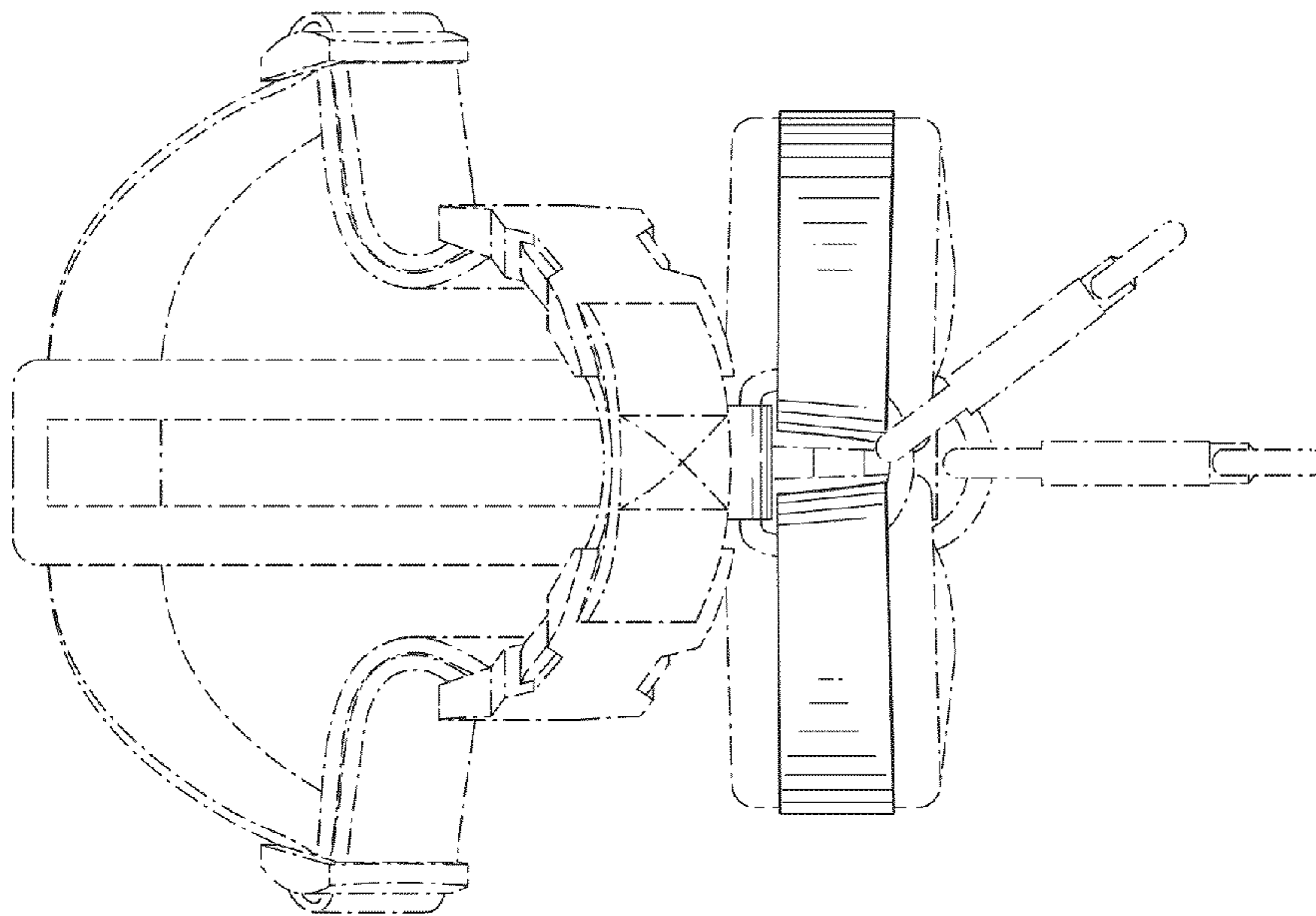


FIG.5
(AMENDED)