

US00RE45646E

(19) **United States**  
(12) **Reissued Patent**  
**Ciungan et al.**

(10) **Patent Number:** **US RE45,646 E**  
(45) **Date of Reissued Patent:** **Aug. 11, 2015**

(54) **MOUNT**

(71) Applicant: **Peerless Industries, Inc.**, Aurora, IL  
(US)

(72) Inventors: **Marcel Ciungan**, Arlington Heights, IL  
(US); **Dugan O'Keene**, Forest Park, IL  
(US)

(73) Assignee: **Peerless Industries, Inc.**, Aurora, IL  
(US)

(21) Appl. No.: **29/469,200**

(22) Filed: **Oct. 8, 2013**

**Related U.S. Patent Documents**

Reissue of:

(64) Patent No.: **Des. 558,562**  
Issued: **Jan. 1, 2008**  
Appl. No.: **29/264,330**  
Filed: **Aug. 8, 2006**

U.S. Applications:

(62) Division of application No. 29/335,520, filed on Apr. 16, 2009, now Pat. No. Re. 44,515, which is an application for the reissue of Pat. No. Des. 558,562.

(51) **LOC (10) Cl.** ..... **08-05**

(52) **U.S. Cl.**  
USPC ..... **D8/363**

(58) **Field of Classification Search**  
USPC ..... D8/354, 363, 239; D14/451-452, 375,  
D14/433; 248/593, 586, 274.4, 284.1;  
455/561; 343/878-892  
See application file for complete search history.

(56) **References Cited**

**U.S. PATENT DOCUMENTS**

5,751,548 A \* 5/1998 Hall et al. .... 361/686  
6,095,467 A \* 8/2000 Neuhof ..... 248/278.1

(Continued)

**OTHER PUBLICATIONS**

"Installation and Assembly: Articulating LCD Wall Arm," Installation Instructions. Peerless Industries, Inc., Issued May 18, 2005.

*Primary Examiner* — Phillip S Hyder

(74) *Attorney, Agent, or Firm* — Foley & Lardner LLP

(57) **CLAIM**

We claim the ornamental design for [an articulating mount unit] *a mount*, as shown and described.

**DESCRIPTION**

[FIG. 1 is a perspective view of the articulating mount unit showing our new design;]

[FIG. 2 is a left side view thereof;]

[FIG. 3 is a right side view thereof;]

[FIG. 4 is a front view thereof;]

[FIG. 5 is a rear view thereof;]

[FIG. 6 is a top plan view thereof;]

[FIG. 7 is a bottom view thereof;]

[FIG. 8 is a perspective view of another embodiment of the articulating mount unit showing our new design;]

[FIG. 9 is a left side view of the articulating mount unit in FIG. 8;]

[FIG. 10 is a right side view of the articulating mount unit in FIG. 8;]

[FIG. 11 is a front view of the articulating mount unit in FIG. 8;]

[FIG. 12 is rear view of the articulating mount unit in FIG. 8;]

[FIG. 13 is a top plan view of the articulating mount unit in FIG. 8; and,]

[FIG. 14 is a bottom view of the articulating mount unit in FIG. 8.]

*FIG. 15 is a perspective view of a mount showing our new design;*

*FIG. 16 is a front view thereof;*

*FIG. 17 is a rear view thereof;*

*FIG. 18 is a right side view thereof;*

*FIG. 19 is a left side view thereof;*

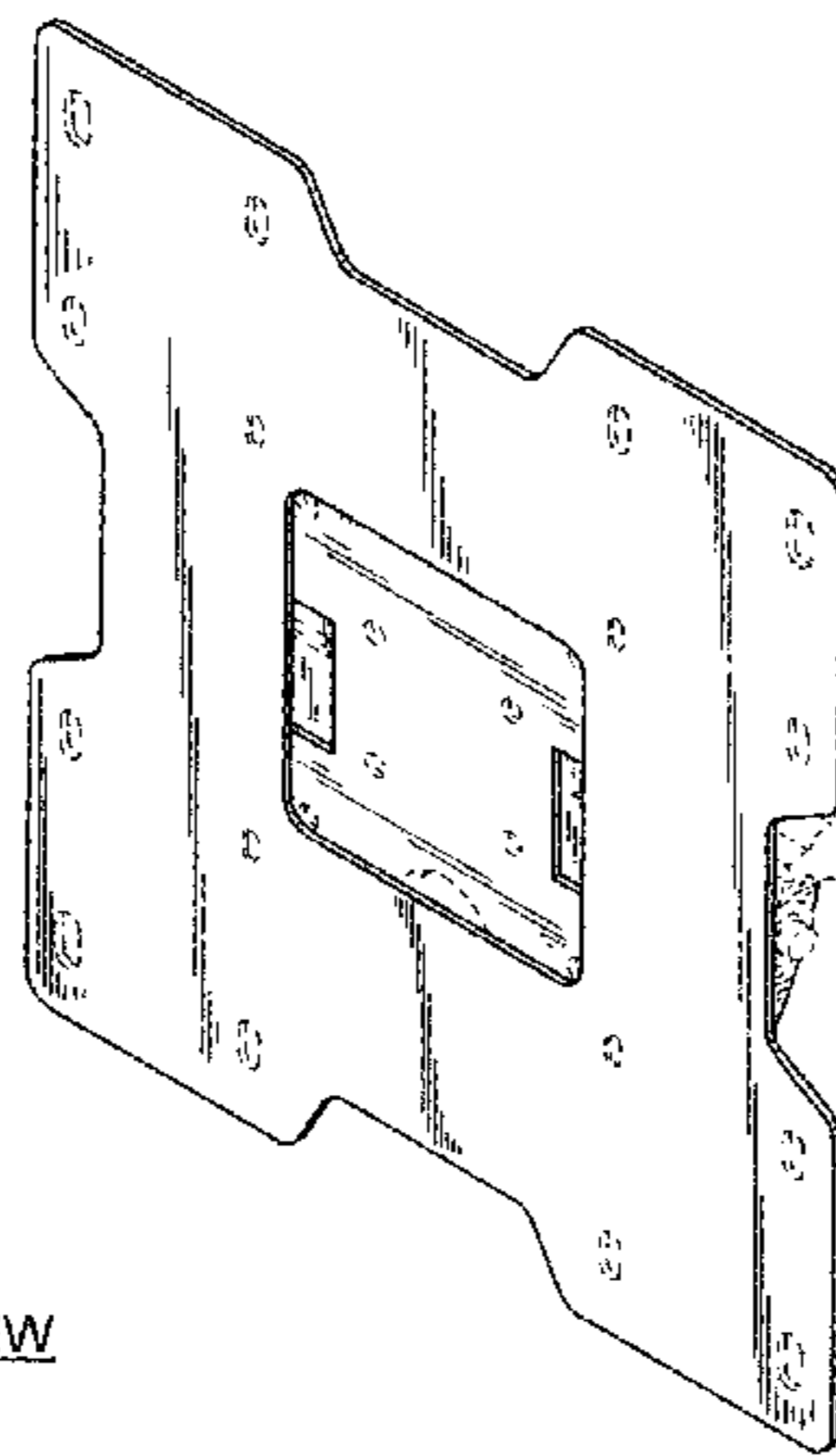
*FIG. 20 is a top plan view thereof; and,*

*FIG. 21 is a bottom plan view thereof.*

The broken lines in the drawings are for illustrative purposes only and form no part of the claimed design.

**1 Claim, 16 Drawing Sheets**

**Matter enclosed in heavy brackets [ ] appears in the original patent but forms no part of this reissue; matter printed in italics indicates the additions made by reissue.**



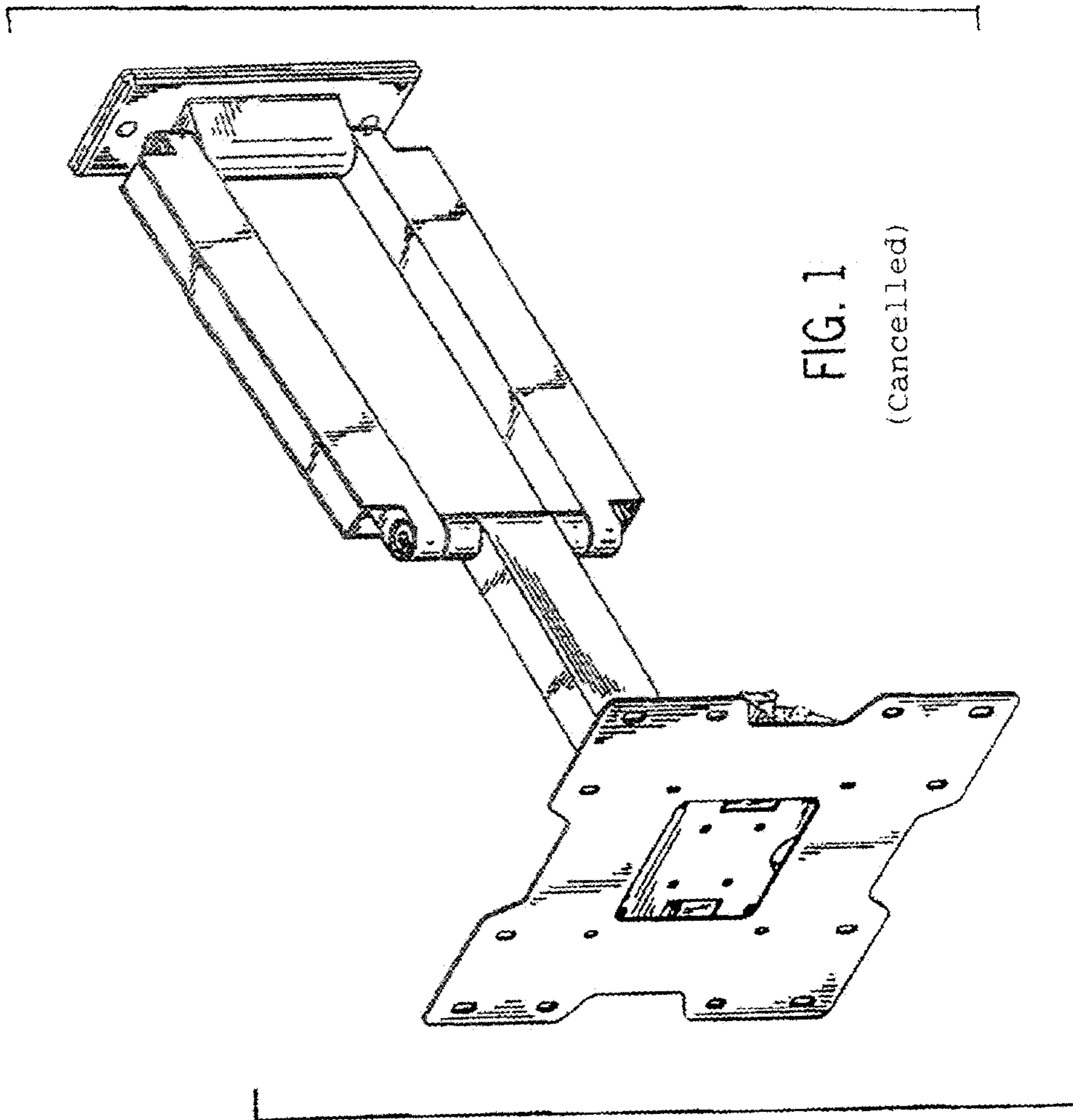
(56)

References Cited

U.S. PATENT DOCUMENTS

D455,949 S *	4/2002	Huang	.....	D8/373	D538,633 S	3/2007	Ly Hau et al.
6,478,275 B1 *	11/2002	Huang	.....	248/284.1	D539,123 S	3/2007	Ly Hau et al.
D472,793 S	4/2003	Callahan et al.			D543,548 S	5/2007	Muday et al.
6,554,238 B1 *	4/2003	Hibberd	.....	248/278.1	D558,560 S	1/2008	Ciungan
6,695,270 B1 *	2/2004	Smed	.....	248/274.1	D558,561 S	1/2008	Ciungan
D488,708 S	4/2004	Lam et al.			D558,563 S	1/2008	Ciungan
D489,377 S *	5/2004	van Kuijk	.....	D14/451	D558,564 S	1/2008	Ciungan
D489,599 S	5/2004	Lam			D559,085 S	1/2008	Ciungan
D494,978 S *	8/2004	Pfister	.....	D14/451	D559,087 S	1/2008	Ciungan
D495,713 S *	9/2004	Pfister et al.	.....	D14/451	D559,088 S	1/2008	Ciungan
D496,367 S	9/2004	Pfister			D560,674 S	1/2008	Wohlford et al.
D503,858 S	4/2005	Ricci			D560,675 S *	1/2008	Wohlford et al. .... D14/451
6,905,101 B1	6/2005	Dittmer			D560,677 S *	1/2008	Wohlford et al. .... D14/451
D507,477 S	7/2005	Pfister			D588,563 S	3/2009	Oh et al.
7,028,961 B1	4/2006	Dittmer et al.			2004/0245420 A1	12/2004	Pfister et al.
					2005/0263659 A1	12/2005	Pfister et al.
					2005/0263671 A1	12/2005	Lo

\* cited by examiner



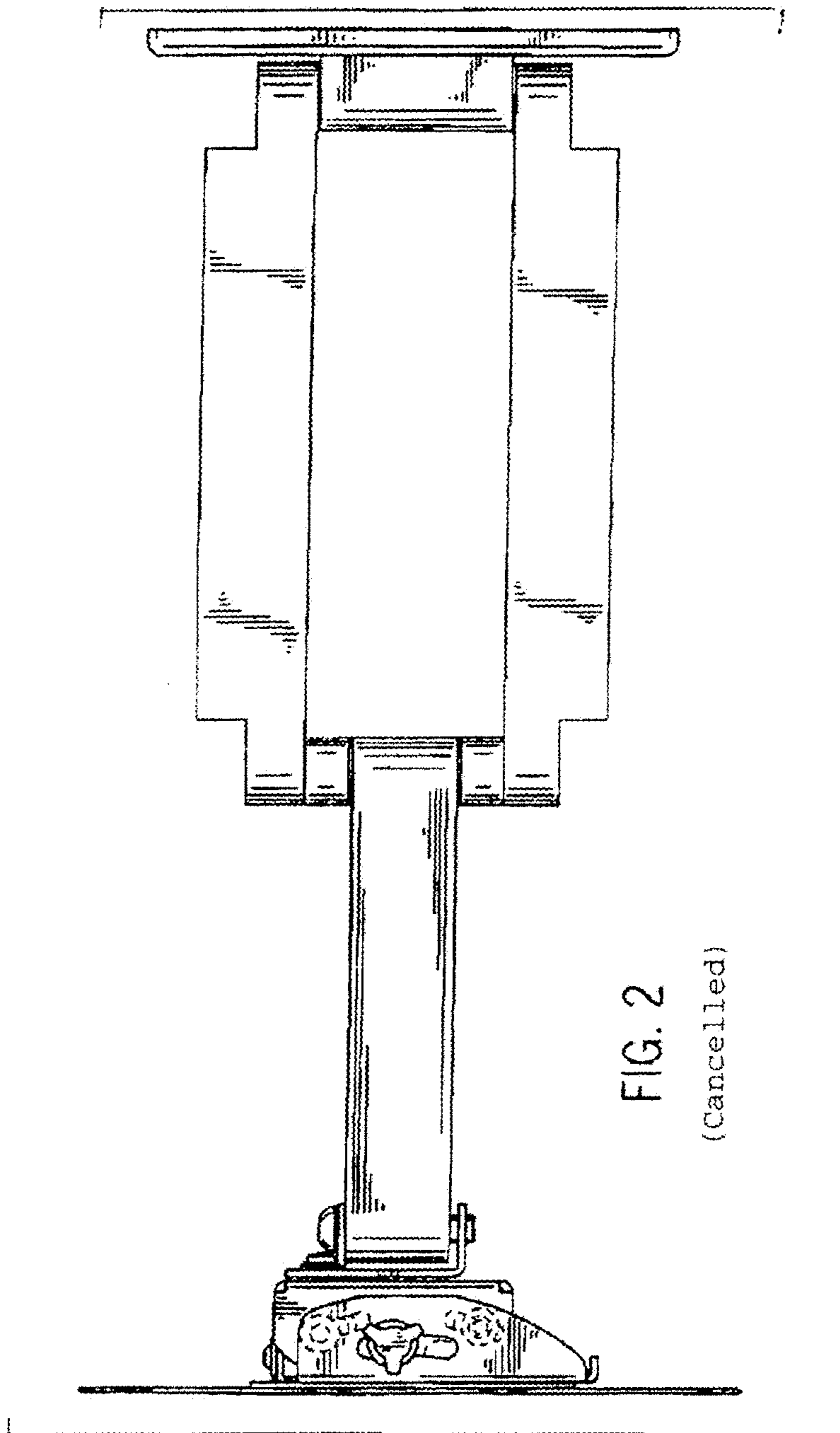


FIG. 2  
(Cancelled)

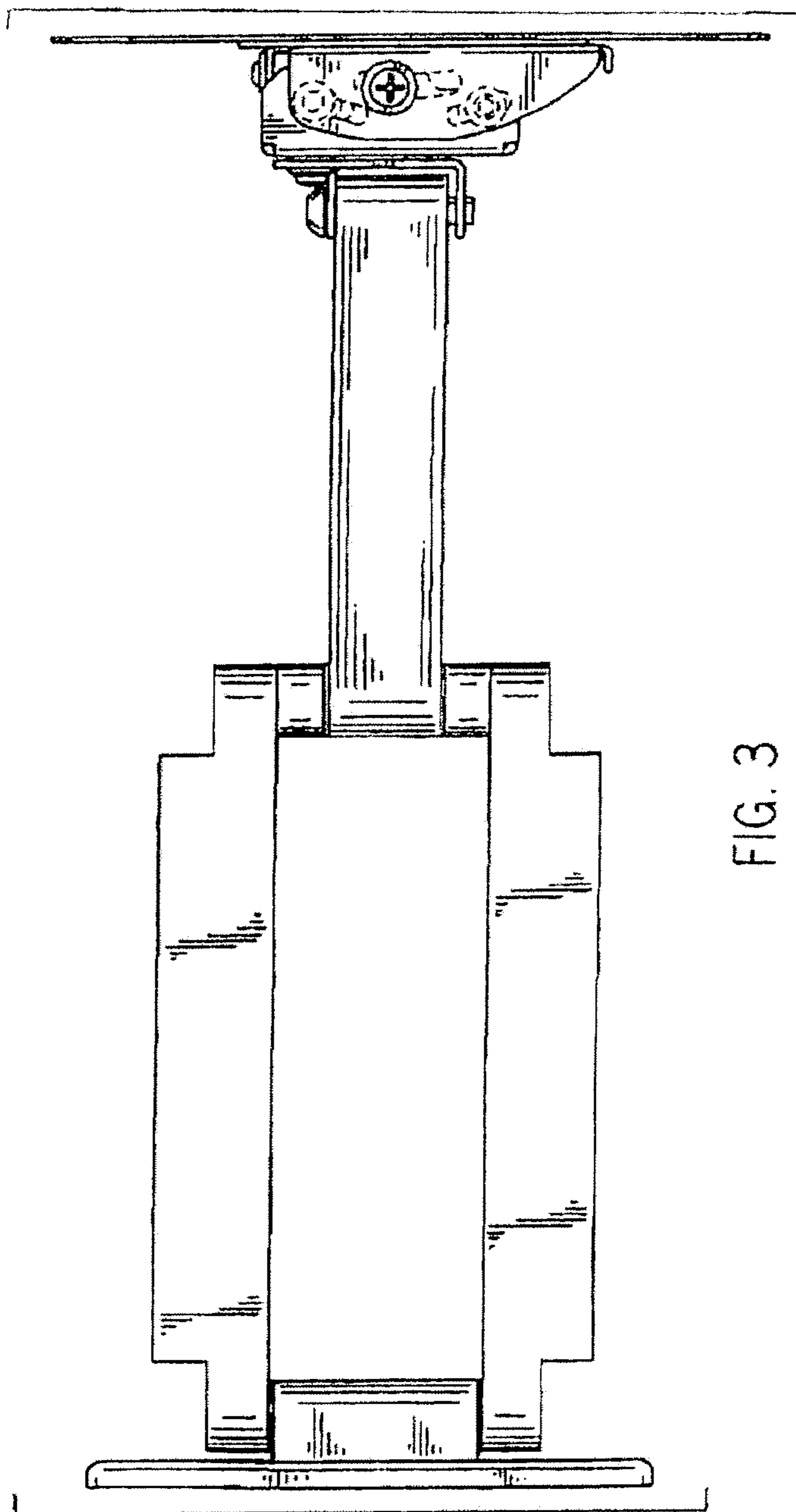


FIG. 3

(Cancelled)

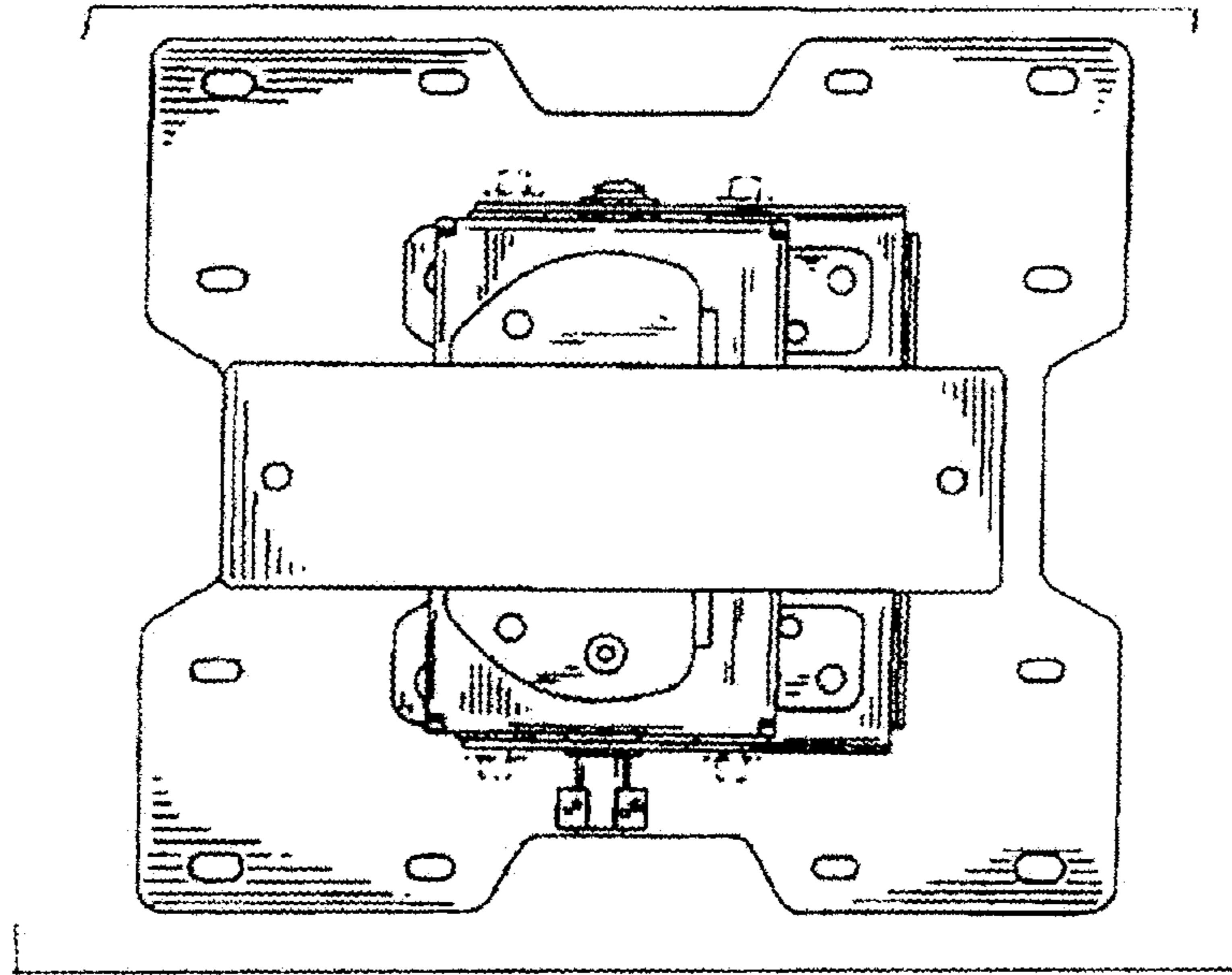


FIG. 5  
(Cancelled)

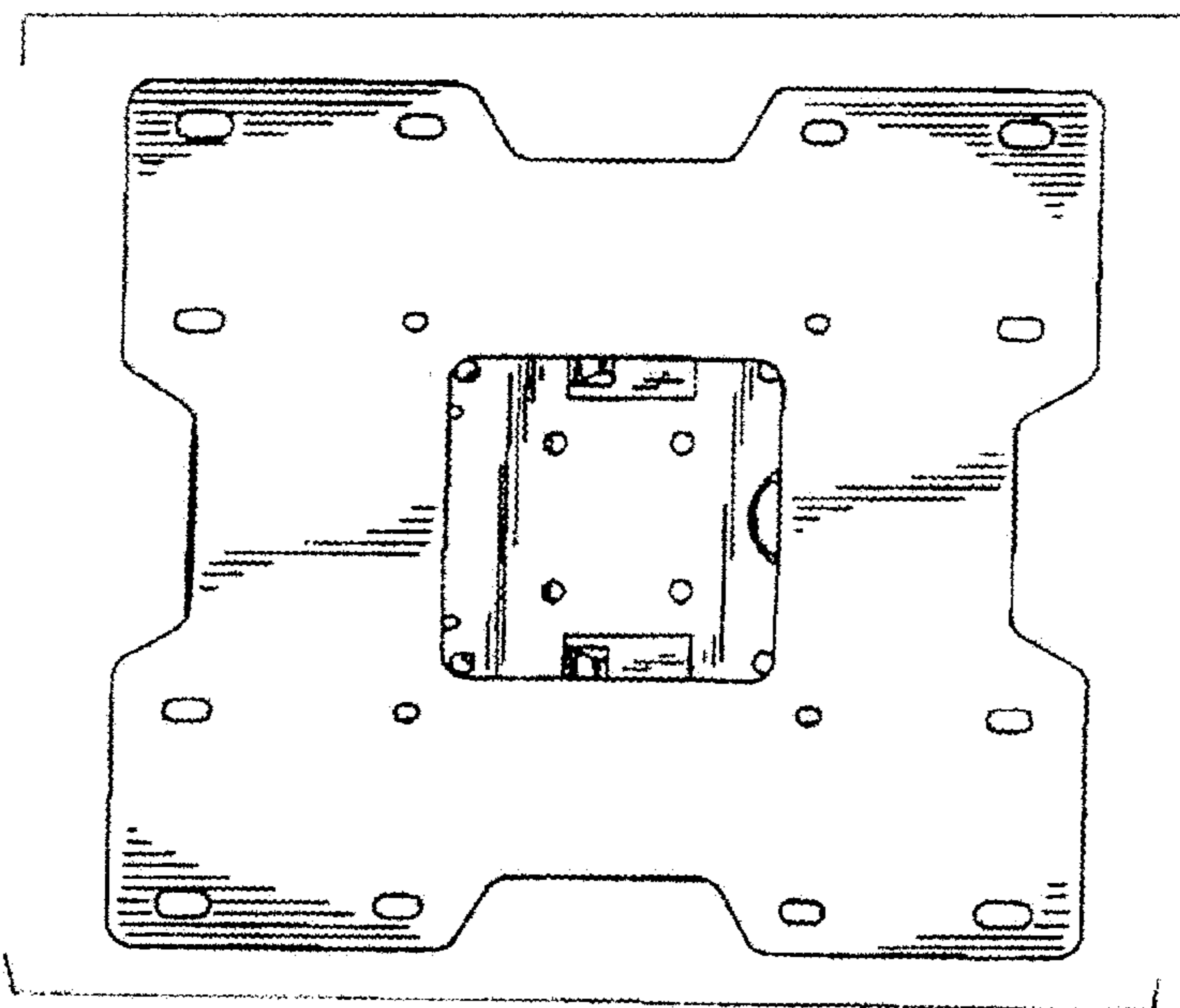


FIG. 4  
(Cancelled)

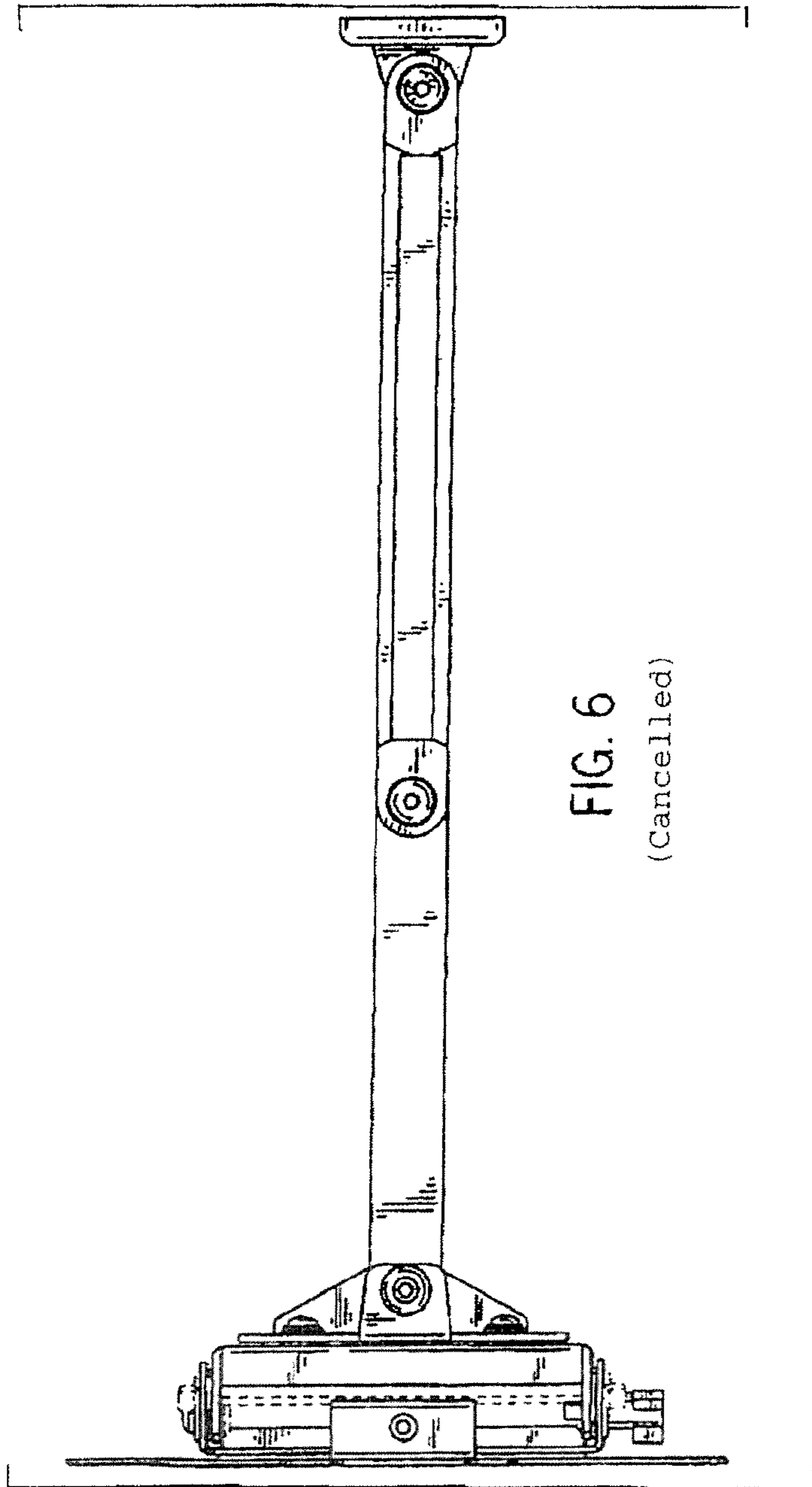


FIG. 6

(Cancelled)

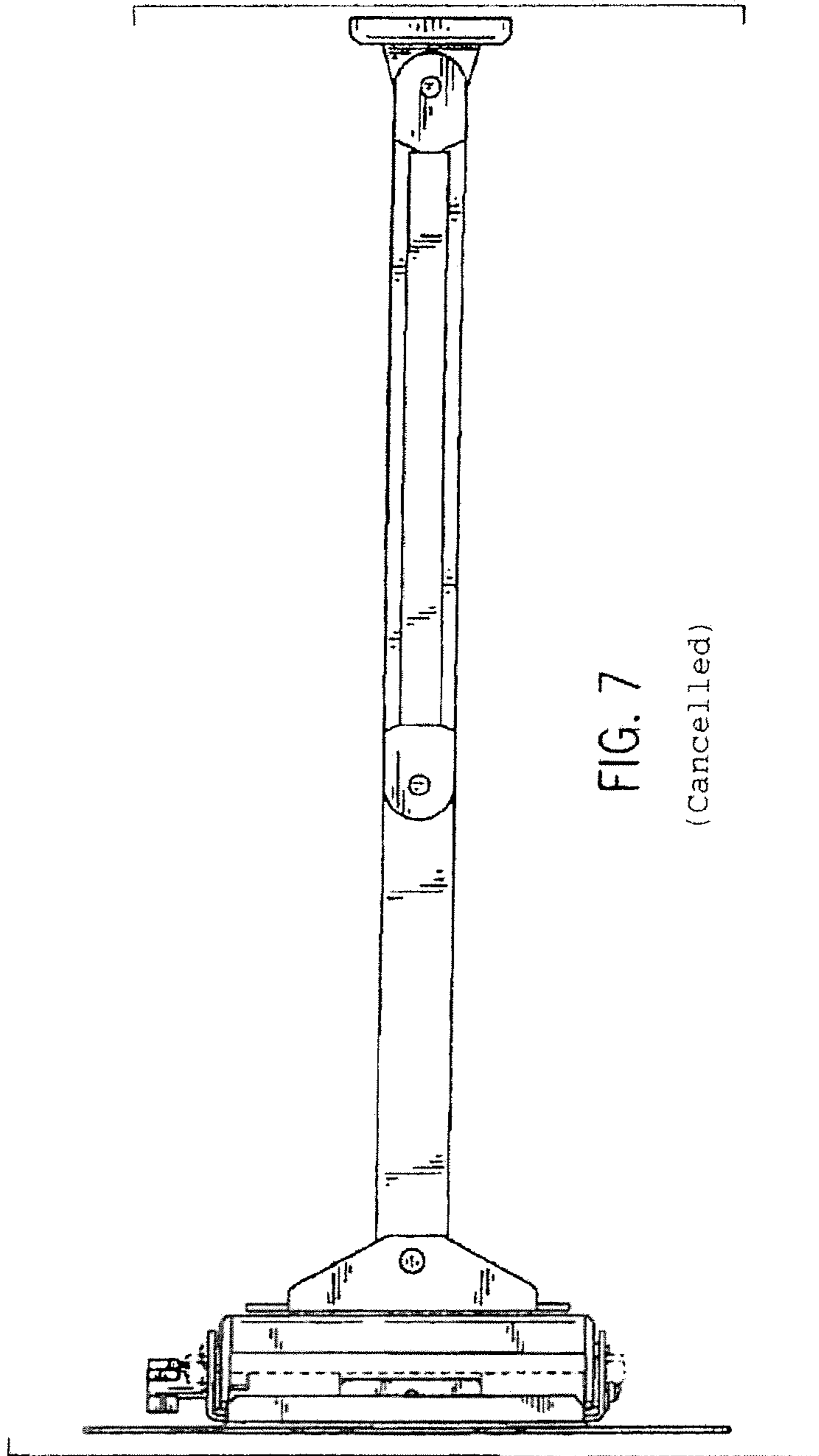


FIG. 7

(Cancelled)



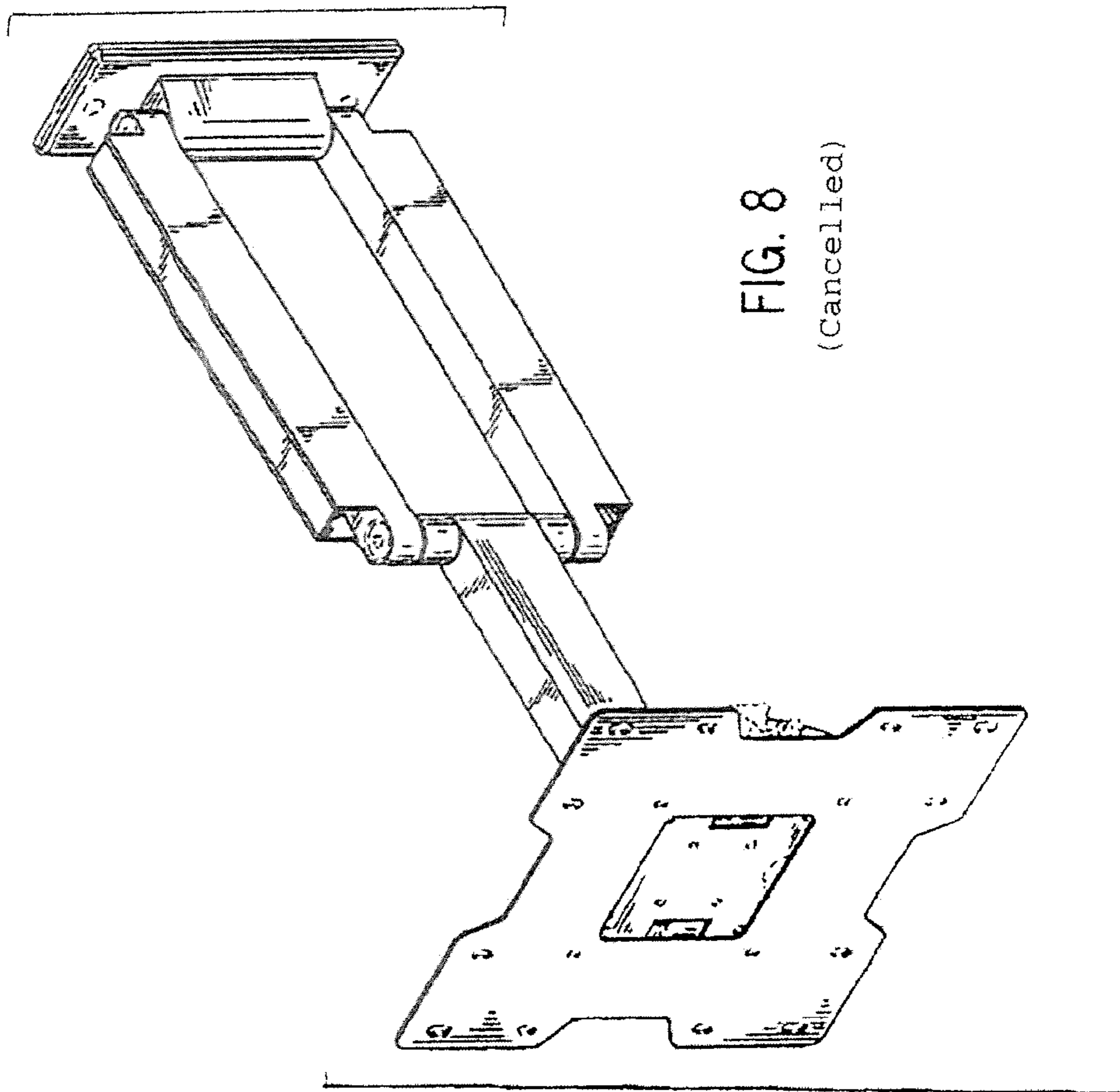


FIG. 8  
(Cancelled)

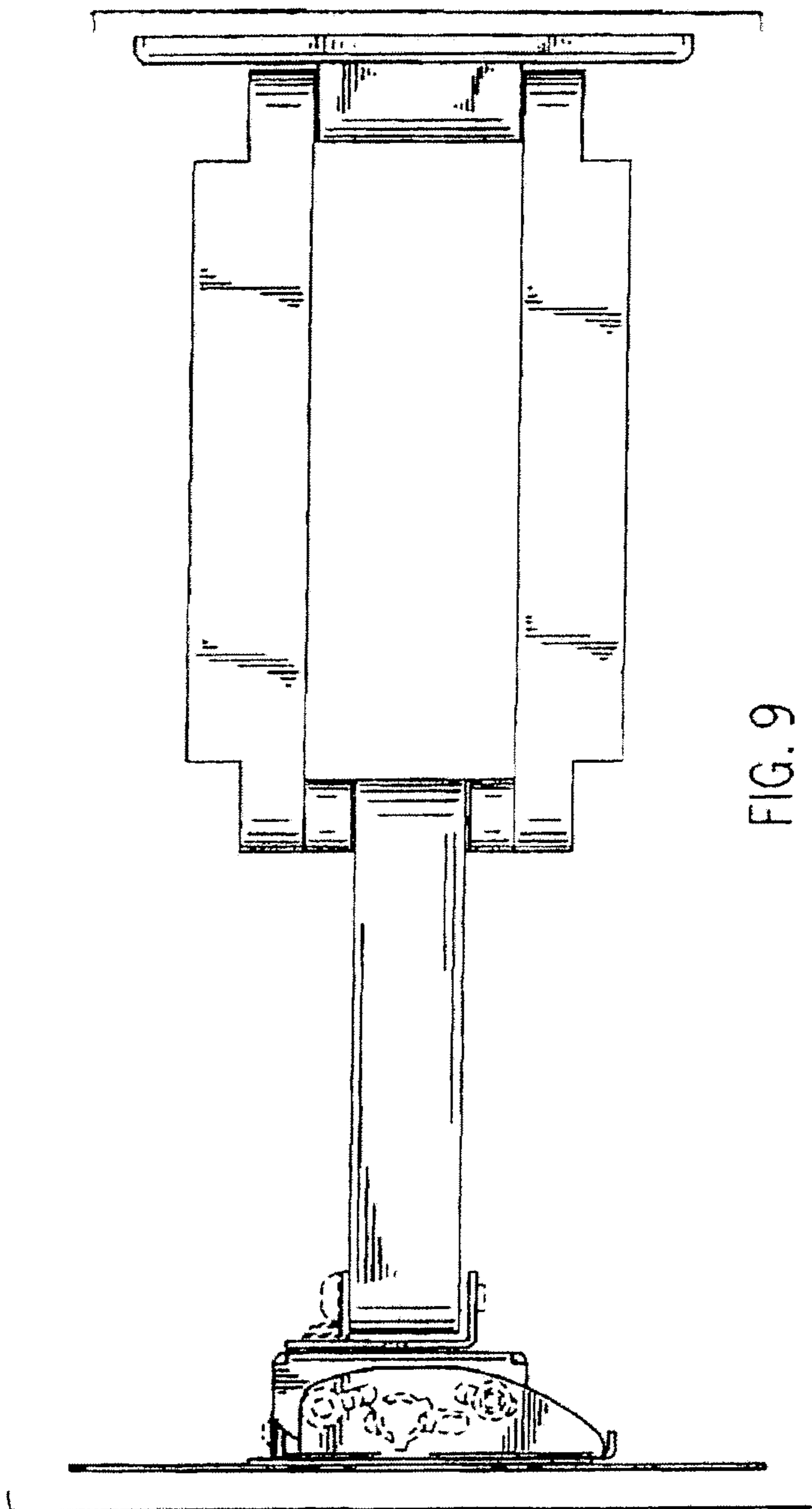


FIG. 9

(Cancelled)

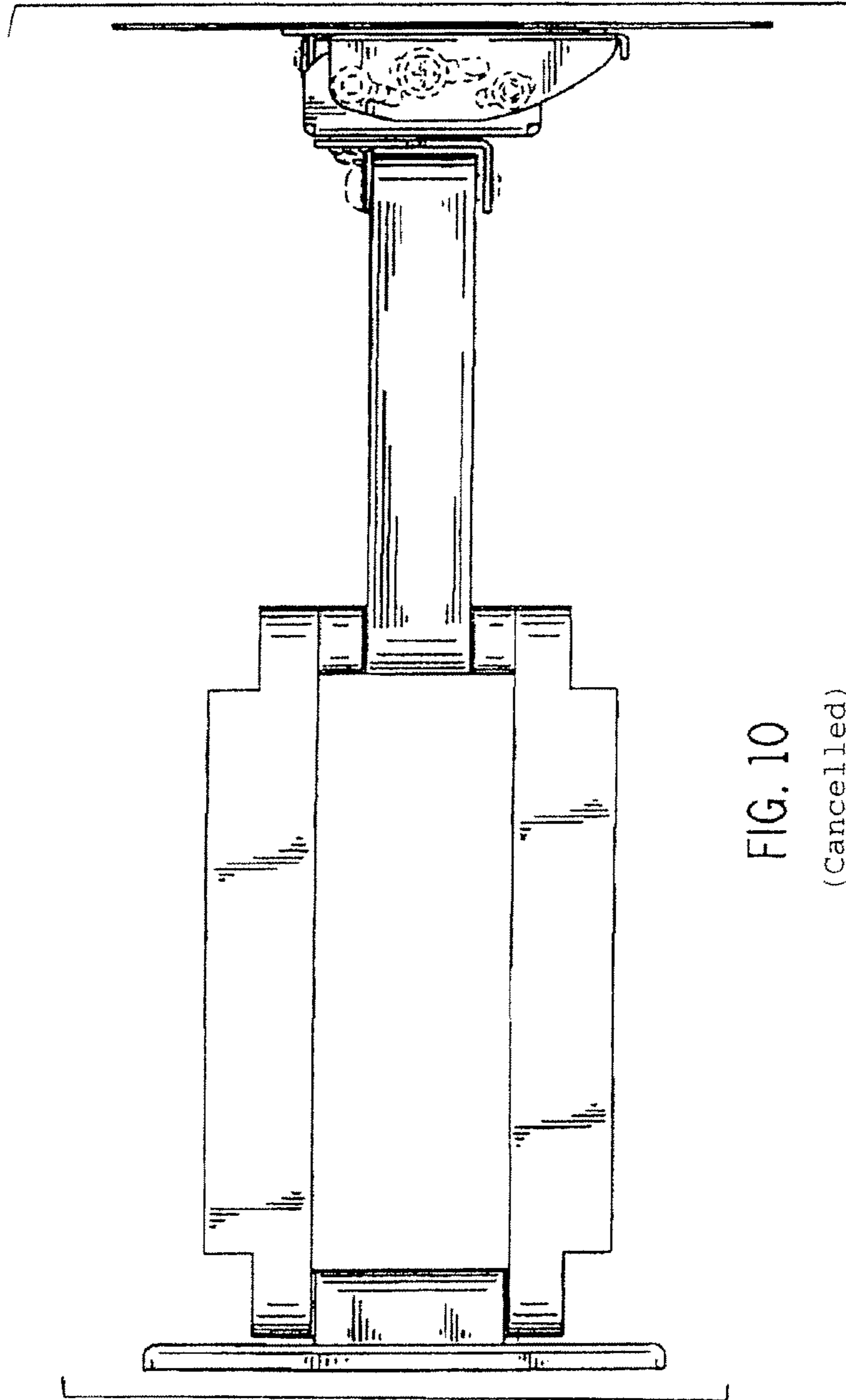


FIG. 10

(Cancelled)

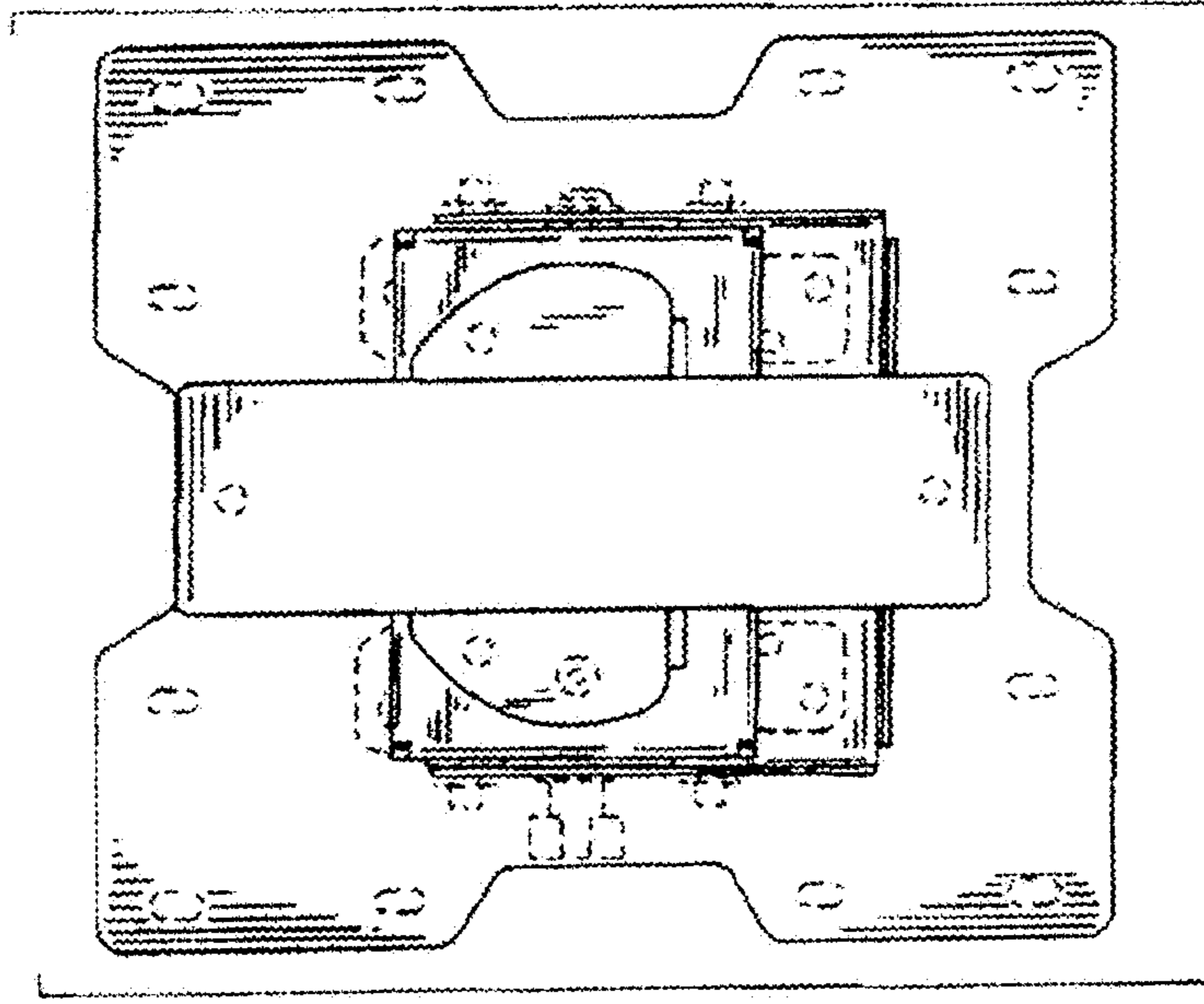


FIG. 12  
(Cancelled)

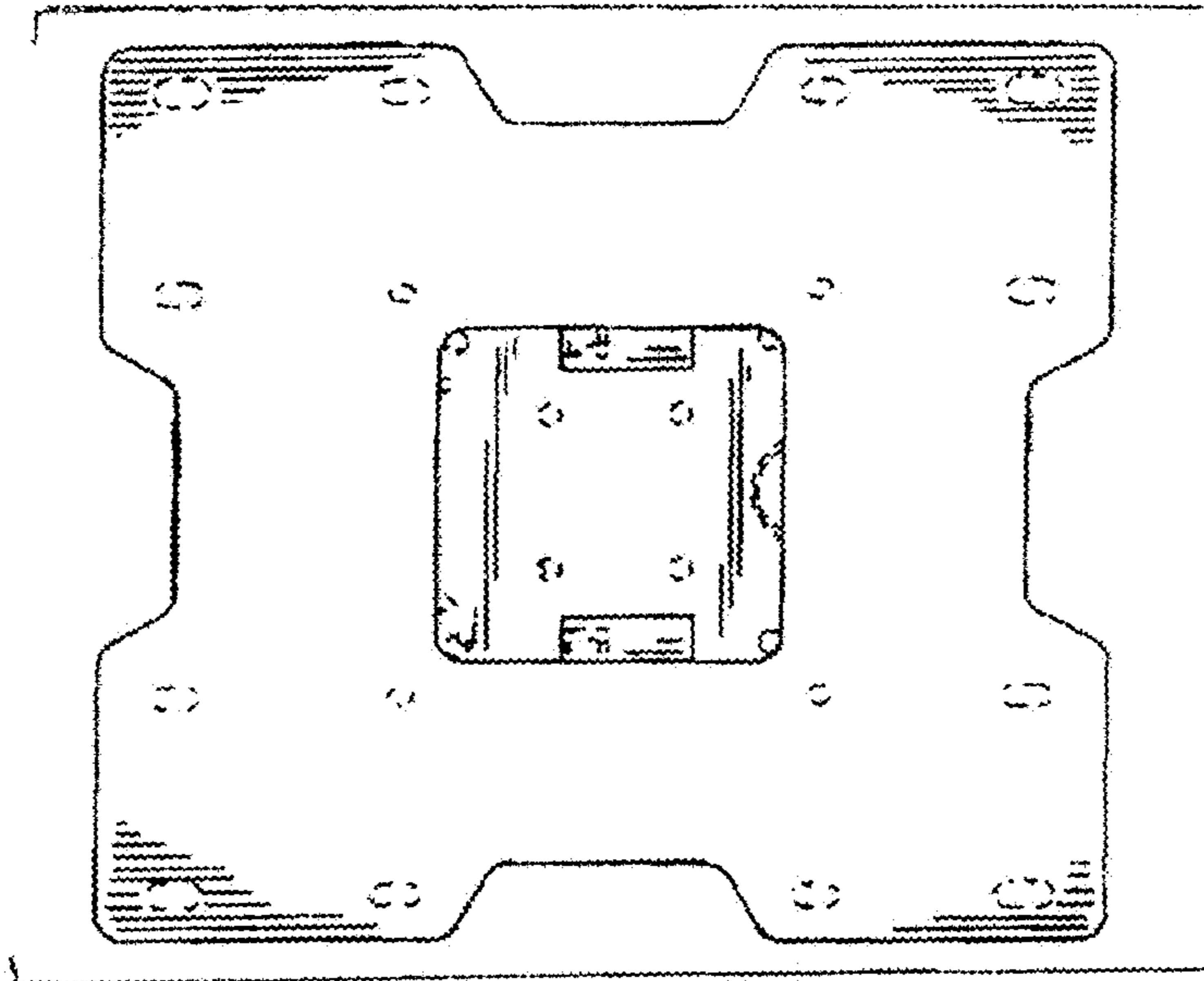


FIG. 11  
(Cancelled)

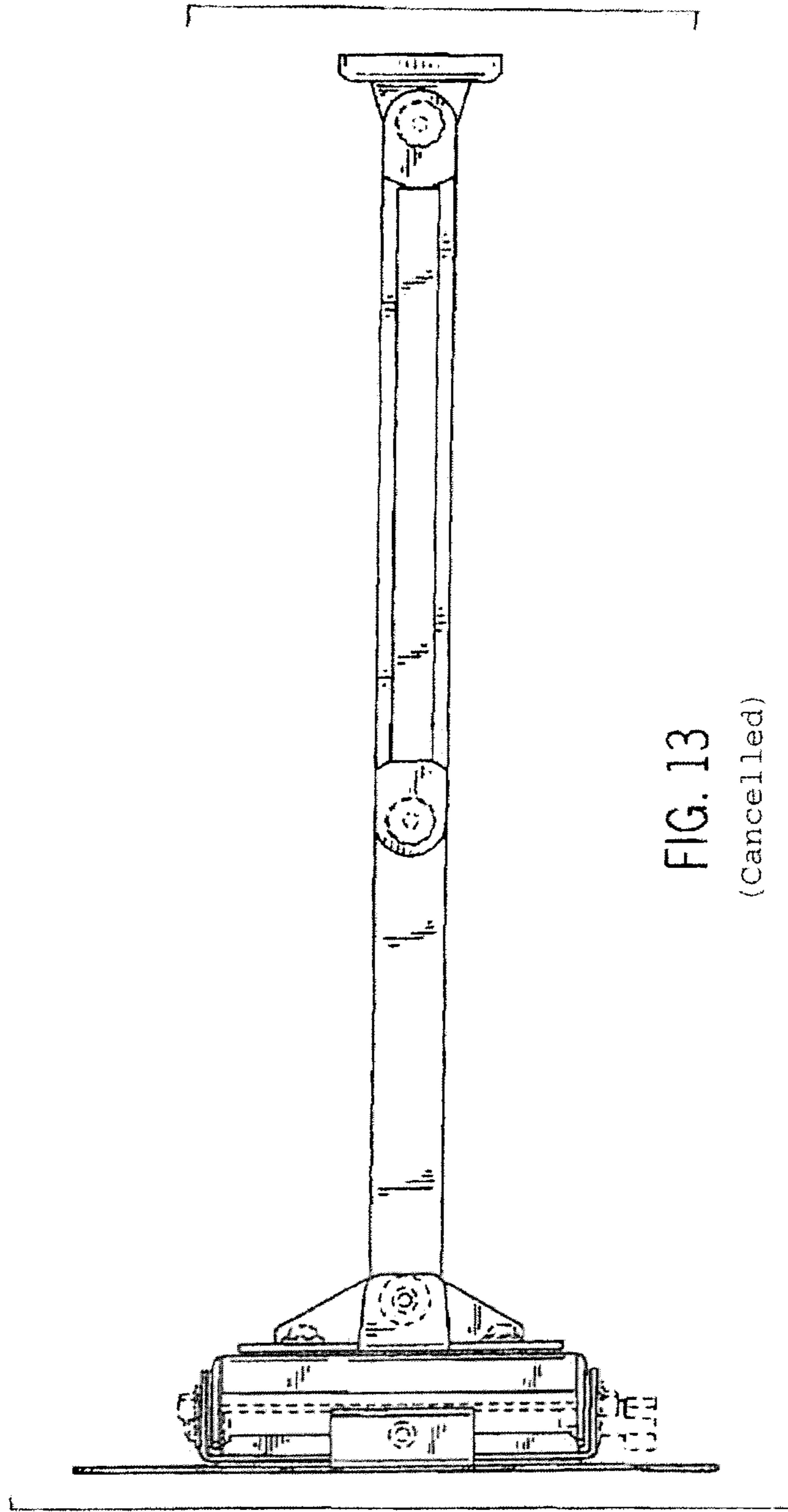


FIG. 13

(Cancelled)

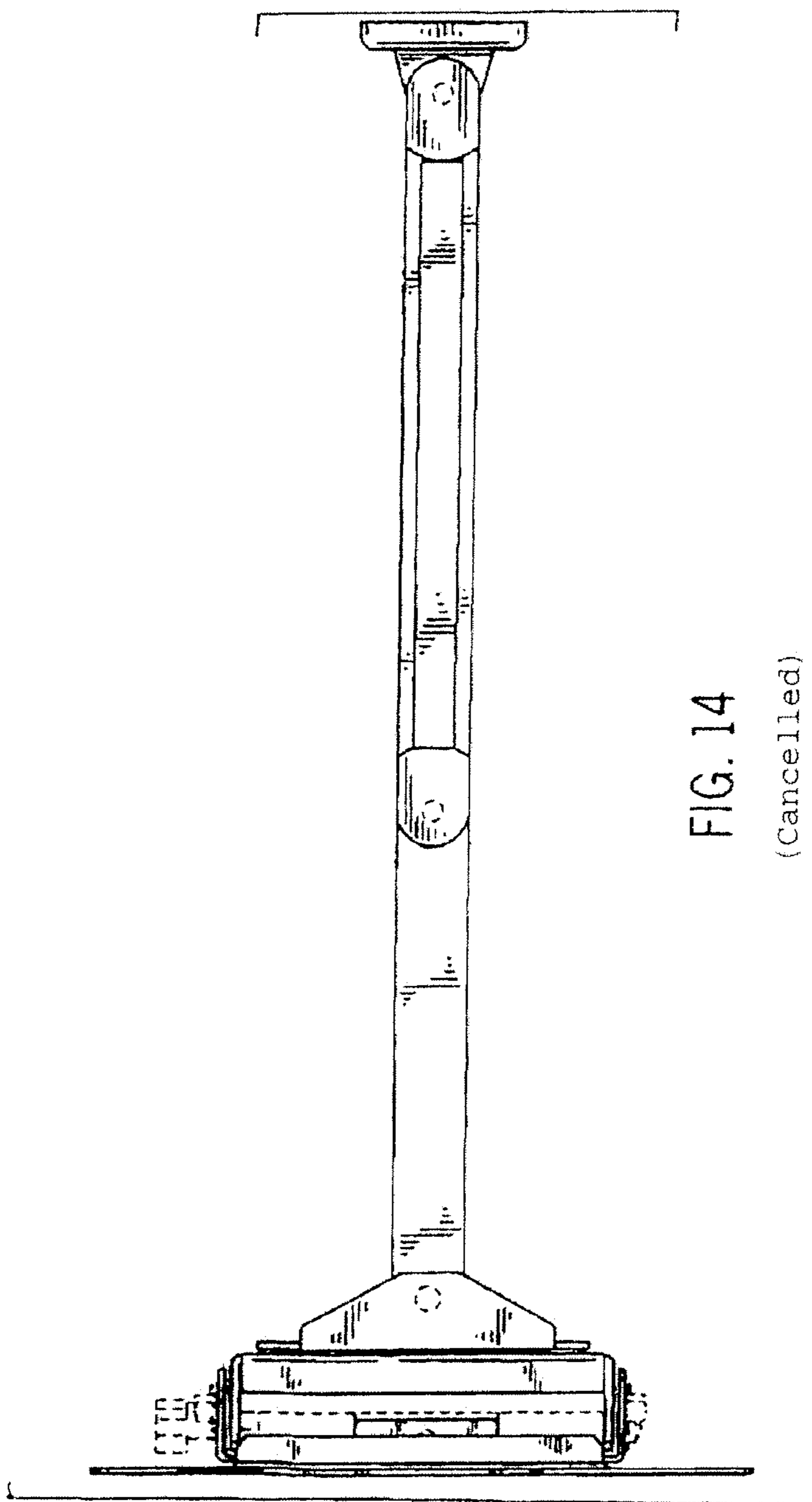


FIG. 14

(Cancelled)

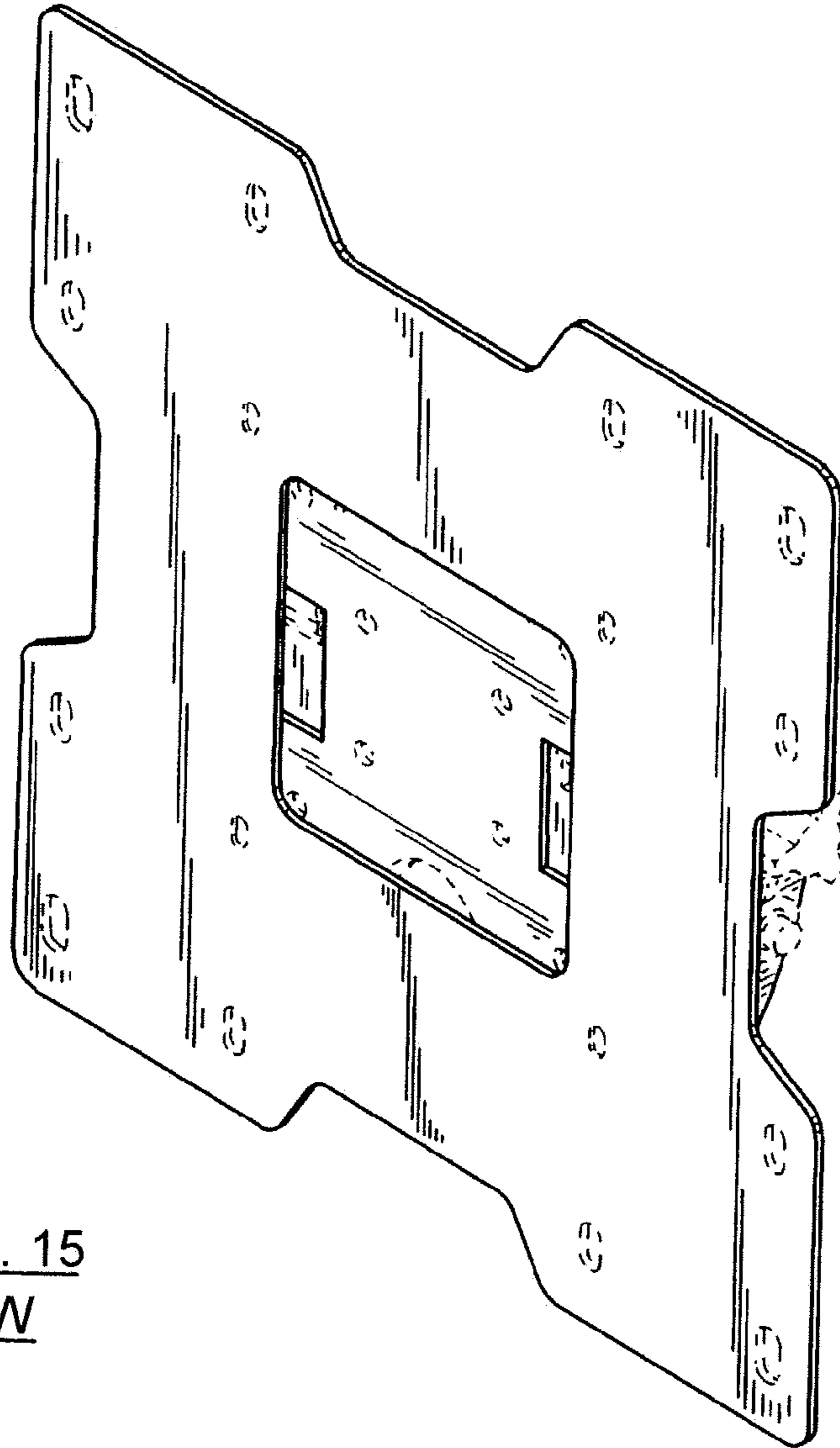


FIG. 15  
NEW

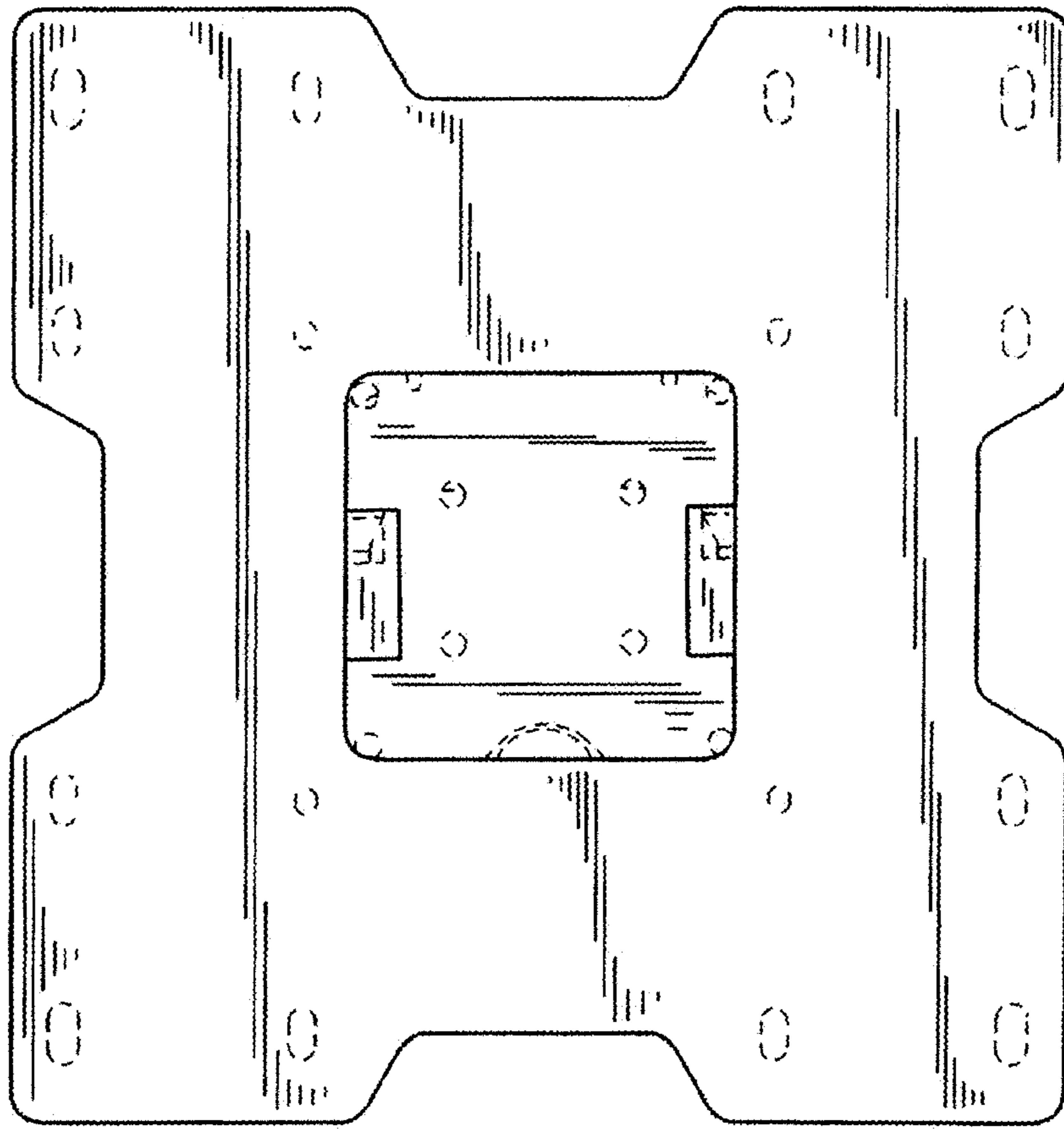


FIG. 16  
NEW



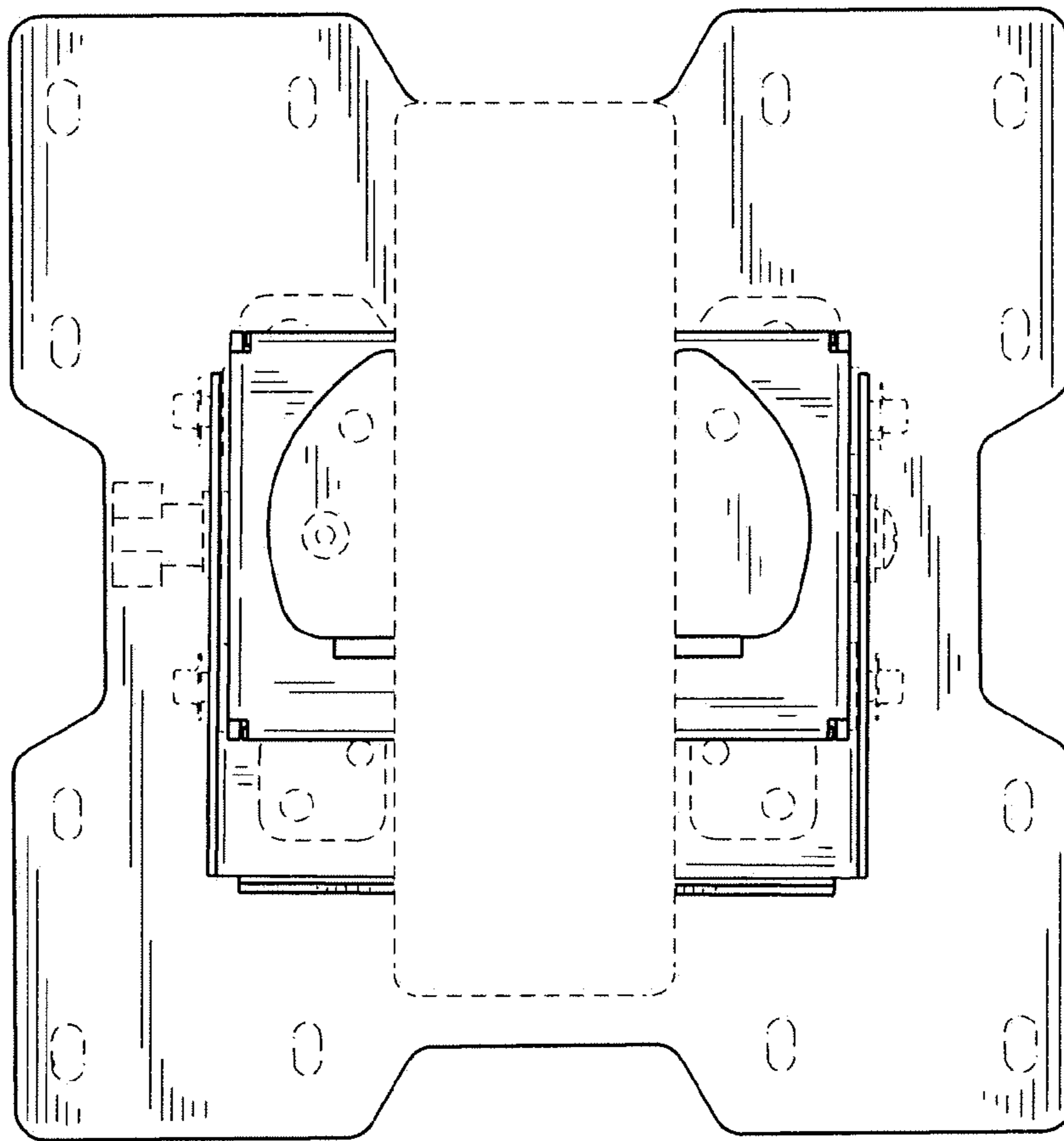


FIG. 17  
NEW



FIG. 18  
NEW

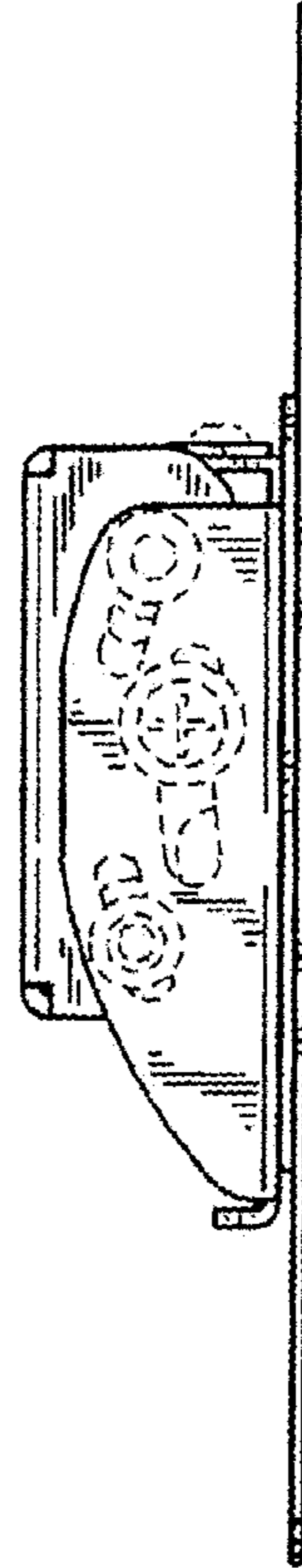


FIG. 19  
NEW

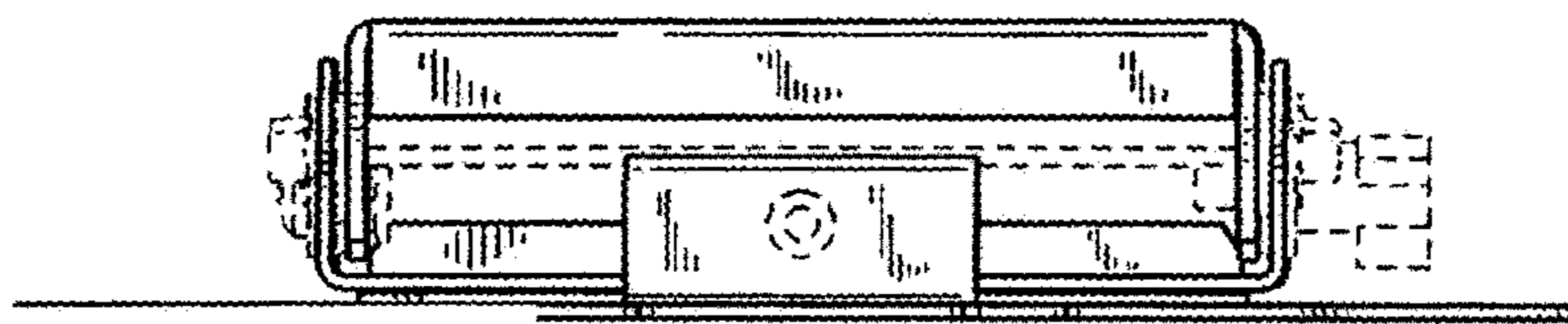


FIG. 20  
NEW

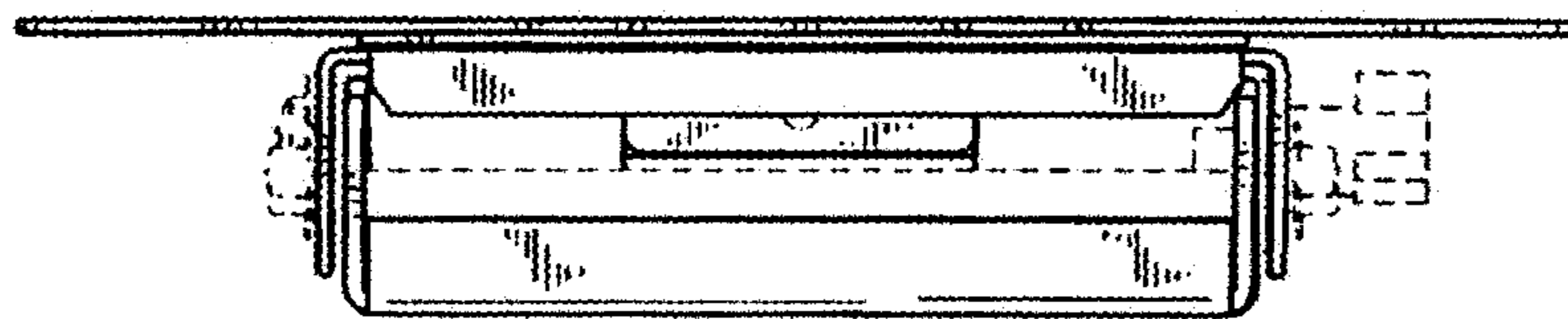


FIG. 21  
NEW