



US00RE45623E

(19) **United States**
(12) **Reissued Patent**
Galante et al.

(10) **Patent Number:** **US RE45,623 E**
(45) **Date of Reissued Patent:** **Jul. 28, 2015**

(54) **AUTOMOBILE BODY**

(75) Inventors: **Vincent J. Galante**, Lake Orion, MI (US); **Mark T. Allen**, Oxford, MI (US); **Gregory A. Howell**, Farmington, MI (US); **Dennis Myles**, West Bloomfield, MI (US); **Aaron Pizzuti**, Beaverton, OR (US)

D396,828 S	8/1998	Baccus et al.	
D418,086 S	12/1999	Starr et al.	
D420,939 S	2/2000	Faurote et al.	
D479,155 S	9/2003	Dolan et al.	
D500,460 S	1/2005	Allen et al.	
D522,917 S	6/2006	Wagner et al.	
D574,298 S *	8/2008	Opfer et al.	D12/91
D586,697 S *	2/2009	Nagode et al.	D12/91
D588,501 S	3/2009	Krugger et al.	
D589,401 S *	3/2009	Yokoi et al.	D12/91

(73) Assignee: **FCA US LLC**, Auburn Hills, MI (US)

* cited by examiner

(21) Appl. No.: **29/411,840**

Primary Examiner — Phillip S Hyder

(22) Filed: **Jan. 26, 2012**

(74) *Attorney, Agent, or Firm* — Ralph E Smith

Related U.S. Patent Documents

Reissue of:

(64) Patent No.: **Des. 608,693**
Issued: **Jan. 26, 2010**
Appl. No.: **29/334,809**
Filed: **Apr. 2, 2009**

(51) **LOC (10) Cl.** **12-08**

(52) **U.S. Cl.**
USPC **D12/91**

(58) **Field of Classification Search**
USPC D12/86, 90, 91, 92; D21/424, 425, 433,
D21/434; 296/181.1, 181.5
See application file for complete search history.

(57) **CLAIM**

The ornamental design for an automobile body, as shown and described.

DESCRIPTION

FIG. 1 is a front perspective view of an automobile body showing our new design;
FIG. 2 is a side view thereof;
FIG. 3 is a front view thereof;
FIG. 4 is a rear view thereof; *and*,
FIG. 5 is a rear perspective view thereof[; *and*,]
[FIG. 6 is a top plan view thereof].

It will be understood that the broken lines presented in the drawings are for illustration only, and do not form a part of the claimed design.

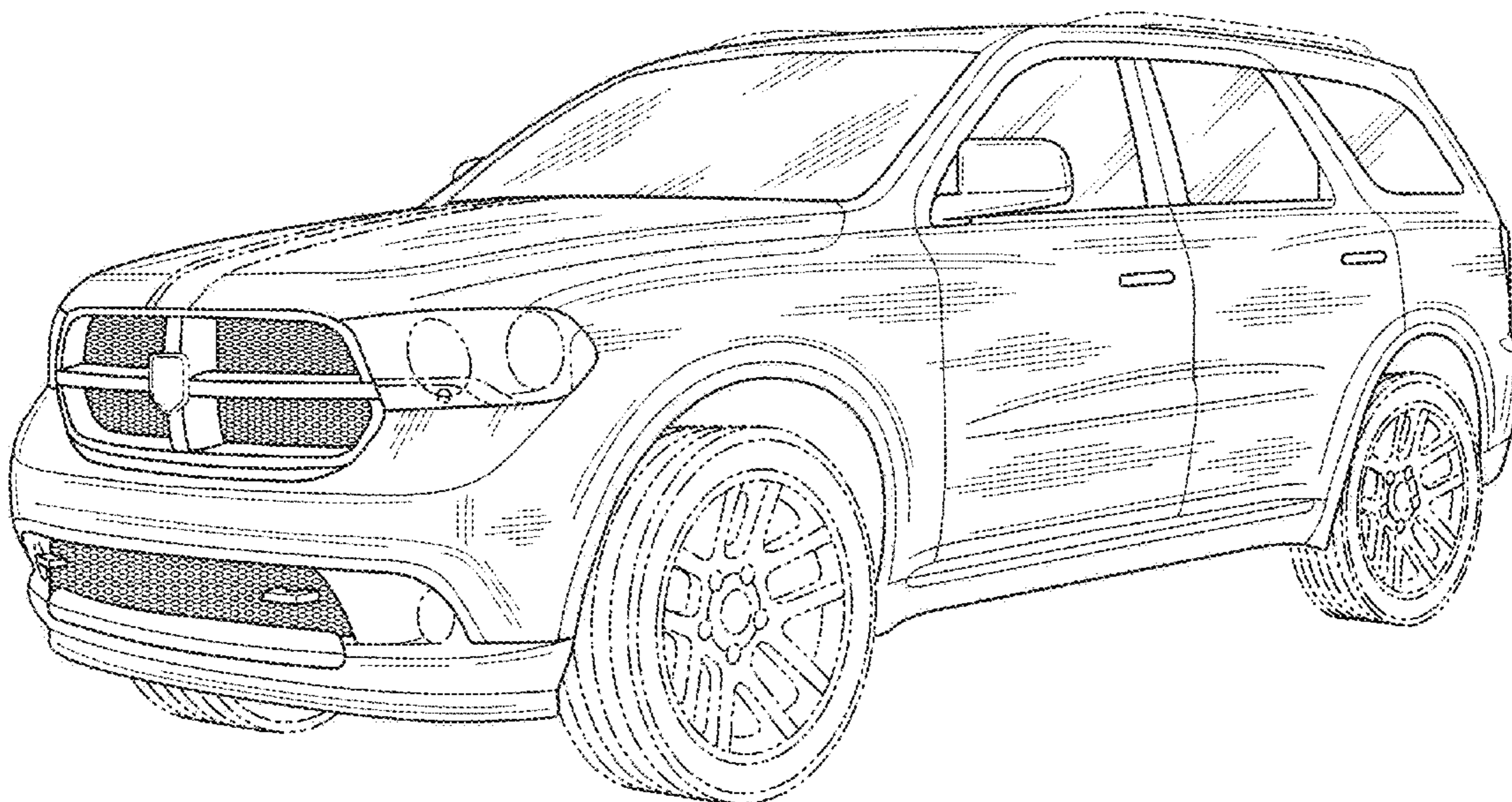
(56) **References Cited**

1 Claim, 4 Drawing Sheets

U.S. PATENT DOCUMENTS

D350,504 S 9/1994 Nixon
D365,785 S 1/1996 Sawyer

Matter enclosed in heavy brackets [] appears in the original patent but forms no part of this reissue; matter printed in italics indicates the additions made by reissue.



AMENDED

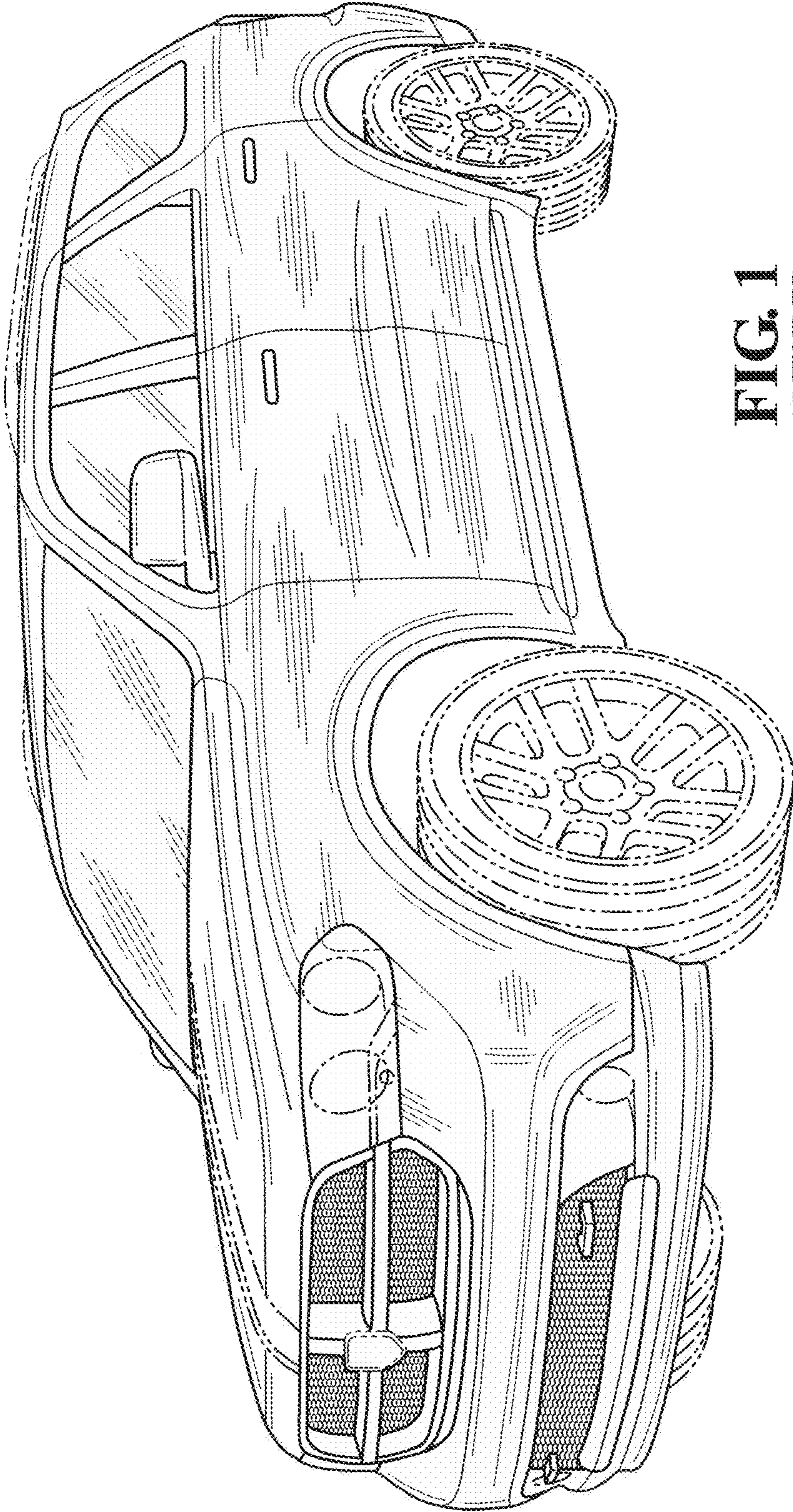


FIG. 1
AMENDED

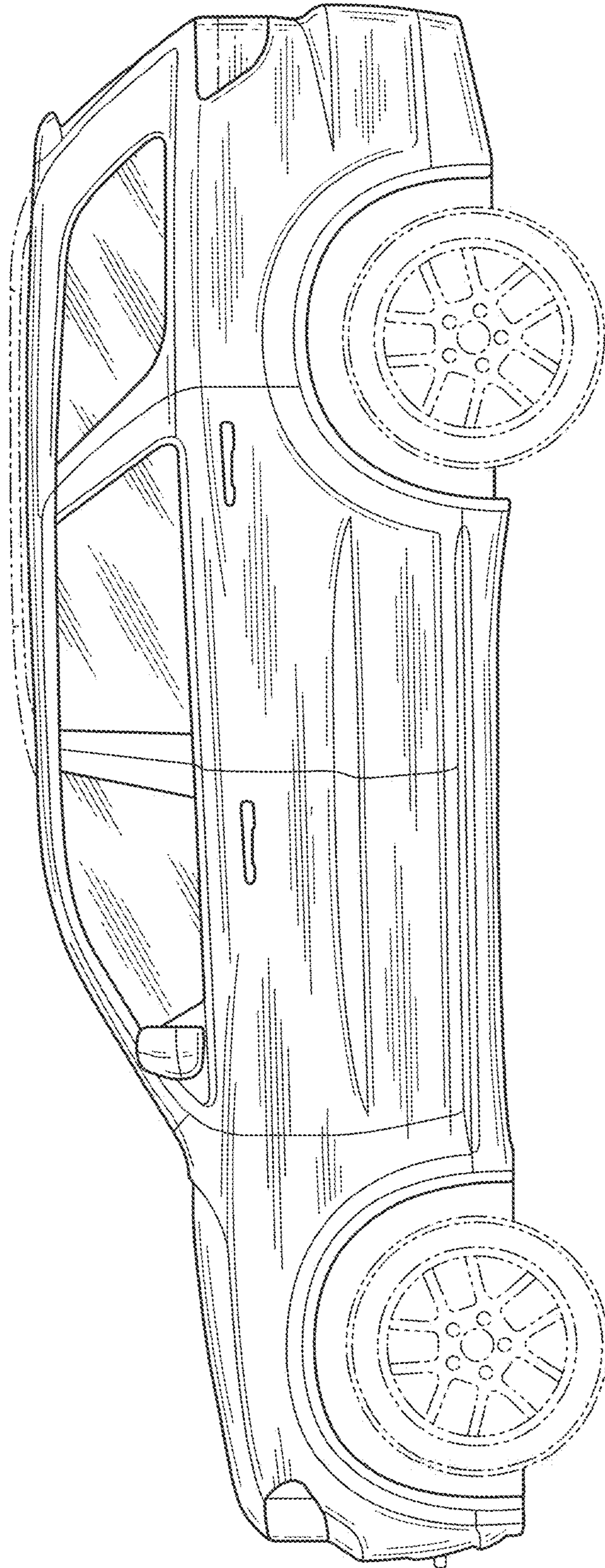


FIG. 2
AMENDED

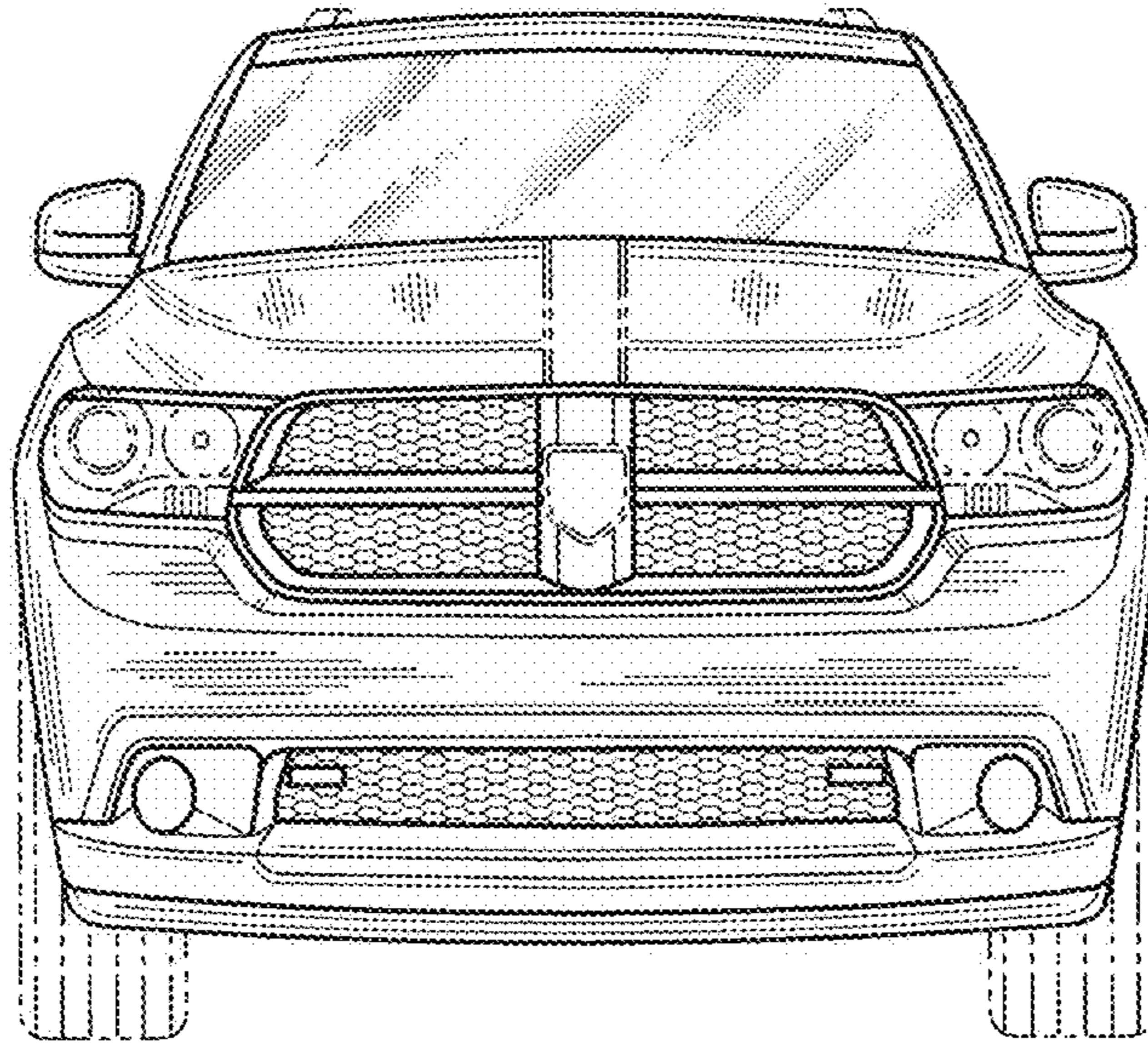


FIG. 3
AMENDED

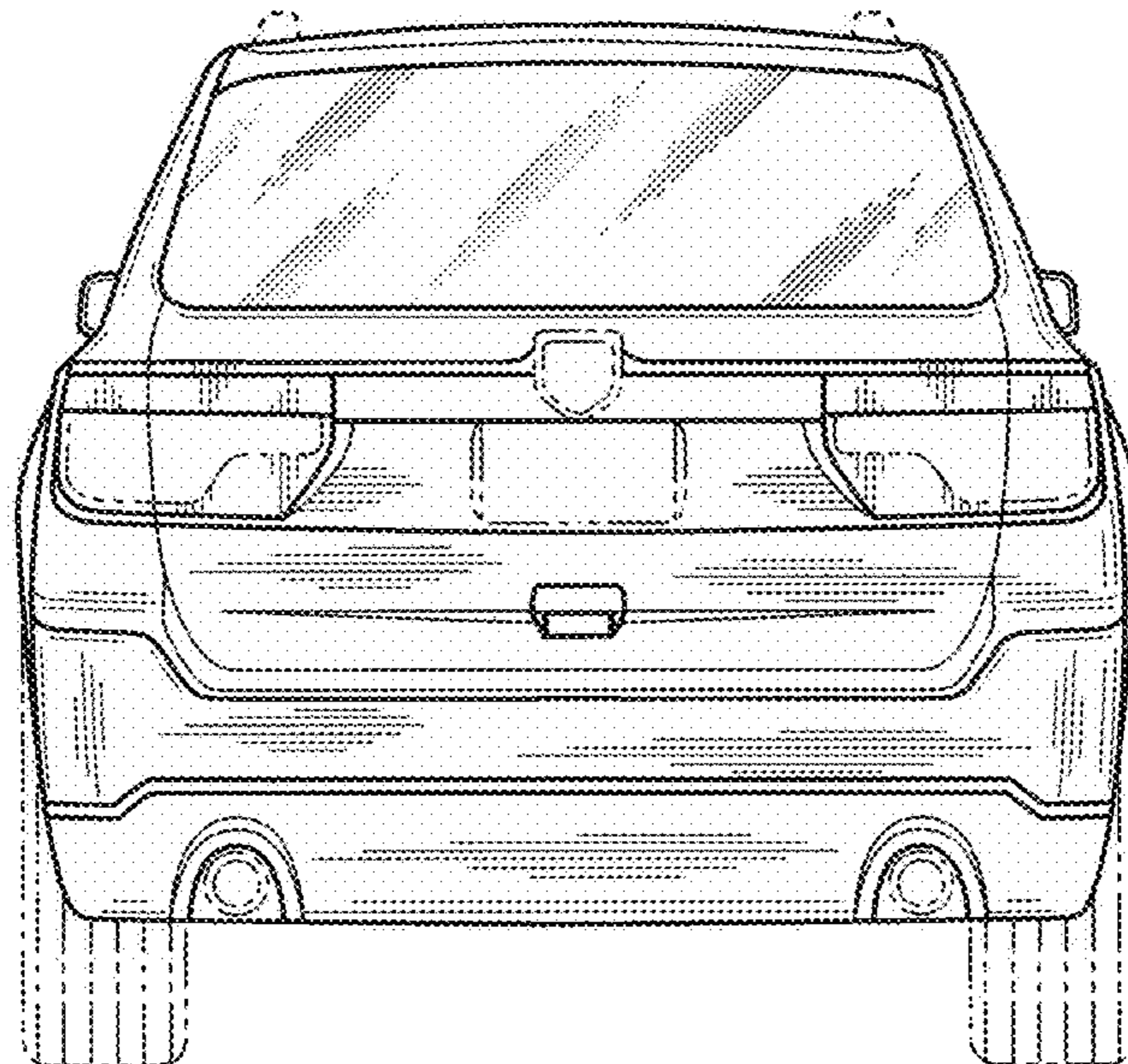


FIG. 4
AMENDED

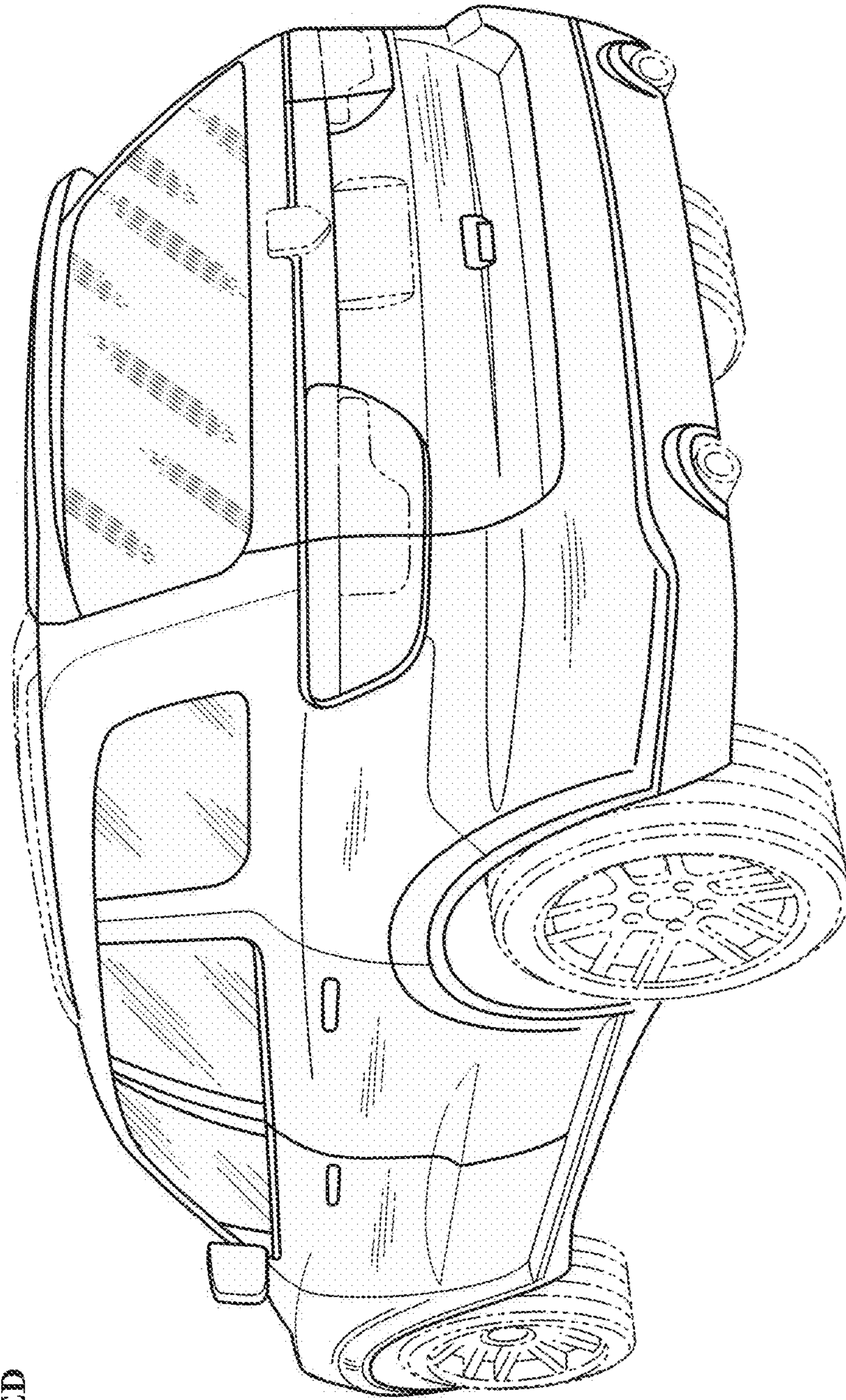


FIG. 5
AMENDED