

US00RE45622E

(19) **United States**
(12) **Reissued Patent**
Kroll

(10) **Patent Number:** **US RE45,622 E**
(45) **Date of Reissued Patent:** **Jul. 28, 2015**

(54) **CROSS-SHAPED DISPLAY STAND**
(71) Applicant: **William F. Kroll**, Boca Raton, FL (US)
(72) Inventor: **William F. Kroll**, Boca Raton, FL (US)
(21) Appl. No.: **29/463,816**
(22) Filed: **Mar. 12, 2014**

D578,275 S * 10/2008 Shantz et al. D99/17
D618,135 S * 6/2010 Horst D11/157
D619,926 S * 7/2010 Letney D11/157
D649,594 S * 11/2011 Yi et al. D20/15
D654,828 S 2/2012 Piric
D685,675 S 7/2013 Dubow

* cited by examiner

Primary Examiner — Phillip S Hyder

(74) *Attorney, Agent, or Firm* — Mark D. Bowen; Malin Haley DiMaggio & Bowen, P.A.

Related U.S. Patent Documents

Reissue of:

(64) Patent No.: **Des. 658,908**
Issued: **May 8, 2012**
Appl. No.: **29/400,201**
Filed: **Aug. 24, 2011**

(57) **CLAIM**

The ornamental design for a cross-shaped display stand, as shown and described.

(51) **LOC (10) Cl.** **06-04**

DESCRIPTION

(52) **U.S. Cl.**

USPC **D6/674**; D6/300

(58) **Field of Classification Search**

USPC D6/300–314, 674; D99/5, 23, 27;
D11/125, 157, 122; D26/4, 94;
D20/15; 211/133, 121, 152, 174,
211/176.1, 85.6, 441.1, 442.2, 450, 451,
211/454, 455, 456

See application file for complete search history.

FIG. 1 is a front perspective view of a cross-shaped display stand in accordance with the present invention;
FIG. 2 is a bottom perspective view thereof;
FIG. 3 is a front *elevation* view thereof, *with the rear view being identical*;
FIG. 4 is a right side *elevation* view thereof, with the left side view being [identical] *a mirror image*;
FIG. 5 is a top *plan* view thereof; [and,]
FIG. 6 is a bottom *plan* view thereof[.];
FIG. 7 is a front perspective view of a second embodiment of the cross-shaped display stand in accordance with the present invention;
FIG. 8 is a bottom perspective view thereof;
FIG. 9 is a front elevation view thereof, with the rear view being identical;
FIG. 10 is a right side elevation view thereof, with the left side view being a mirror image;
FIG. 11 is a top plan view thereof; and,
FIG. 12 is a bottom plan view thereof.
The dot-dash broken lines in FIGS. 7 through 12 represent the boundaries between claimed and non-claimed subject matter.

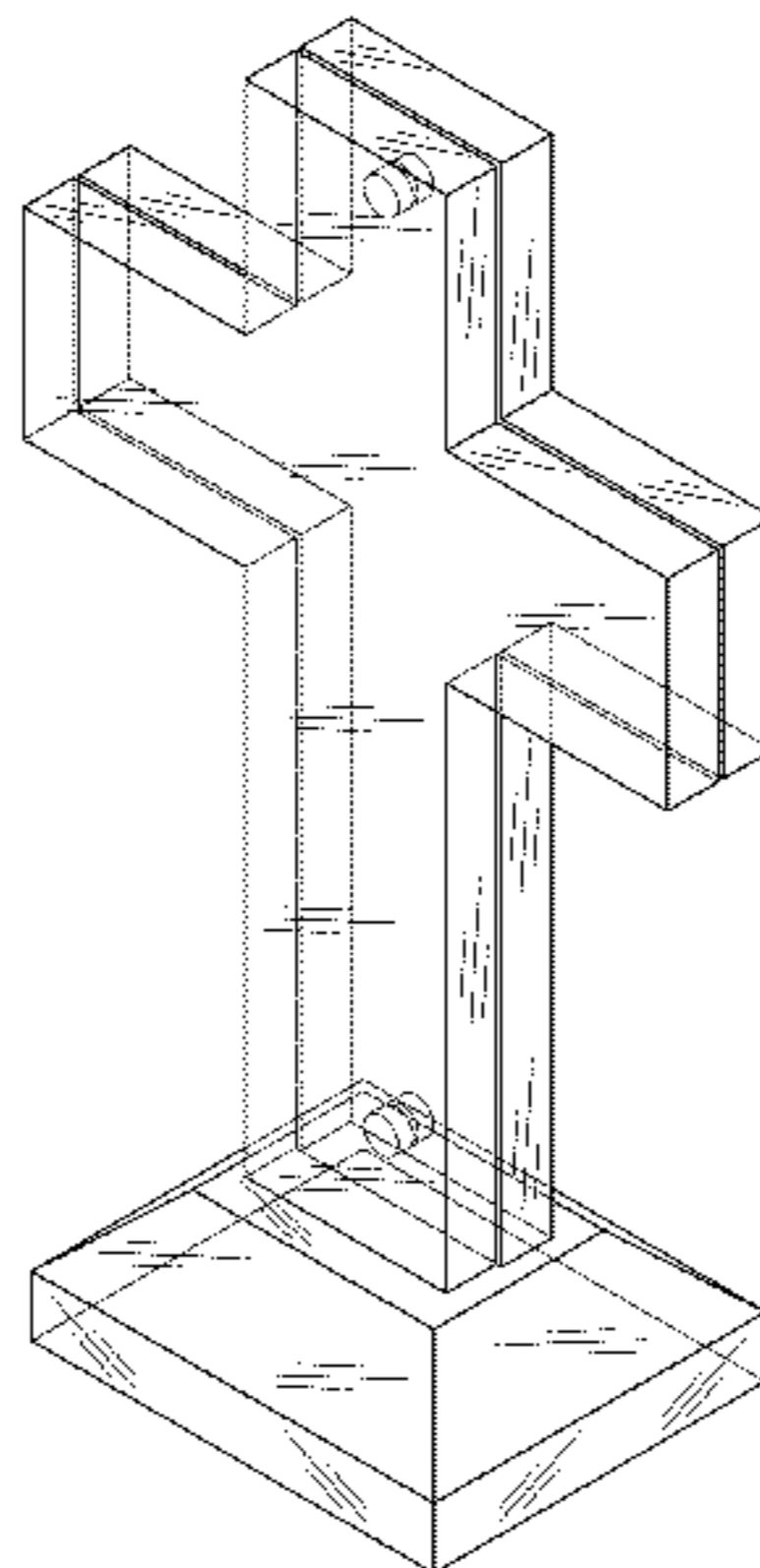
(56) **References Cited**

U.S. PATENT DOCUMENTS

D67,289 S * 5/1925 Ladewich D99/23
D103,027 S * 2/1937 Slattery D99/27
D137,421 S * 3/1944 Rasmussen D99/23
D159,891 S * 8/1950 Chevalier D99/27
D160,900 S * 11/1950 Suhren D6/450
D168,686 S * 1/1953 Hunter D6/450
D256,398 S 8/1980 Mitchell
D338,081 S * 8/1993 Klaffer D26/94
D338,315 S 8/1993 Larson
D370,282 S * 5/1996 Grether D26/4
D408,653 S * 4/1999 Dotson et al. D6/450
D412,461 S * 8/1999 McGrew D11/122
D431,206 S * 9/2000 Byers D11/125
D440,734 S * 4/2001 Berry D99/23
D443,970 S * 6/2001 Stucker D99/27
D481,223 S * 10/2003 Locker et al. D6/470
D518,939 S * 4/2006 Borgerding D99/5

1 Claim, 8 Drawing Sheets

Matter enclosed in heavy brackets [] appears in the original patent but forms no part of this reissue; matter printed in italics indicates the additions made by reissue.



(AMENDED)

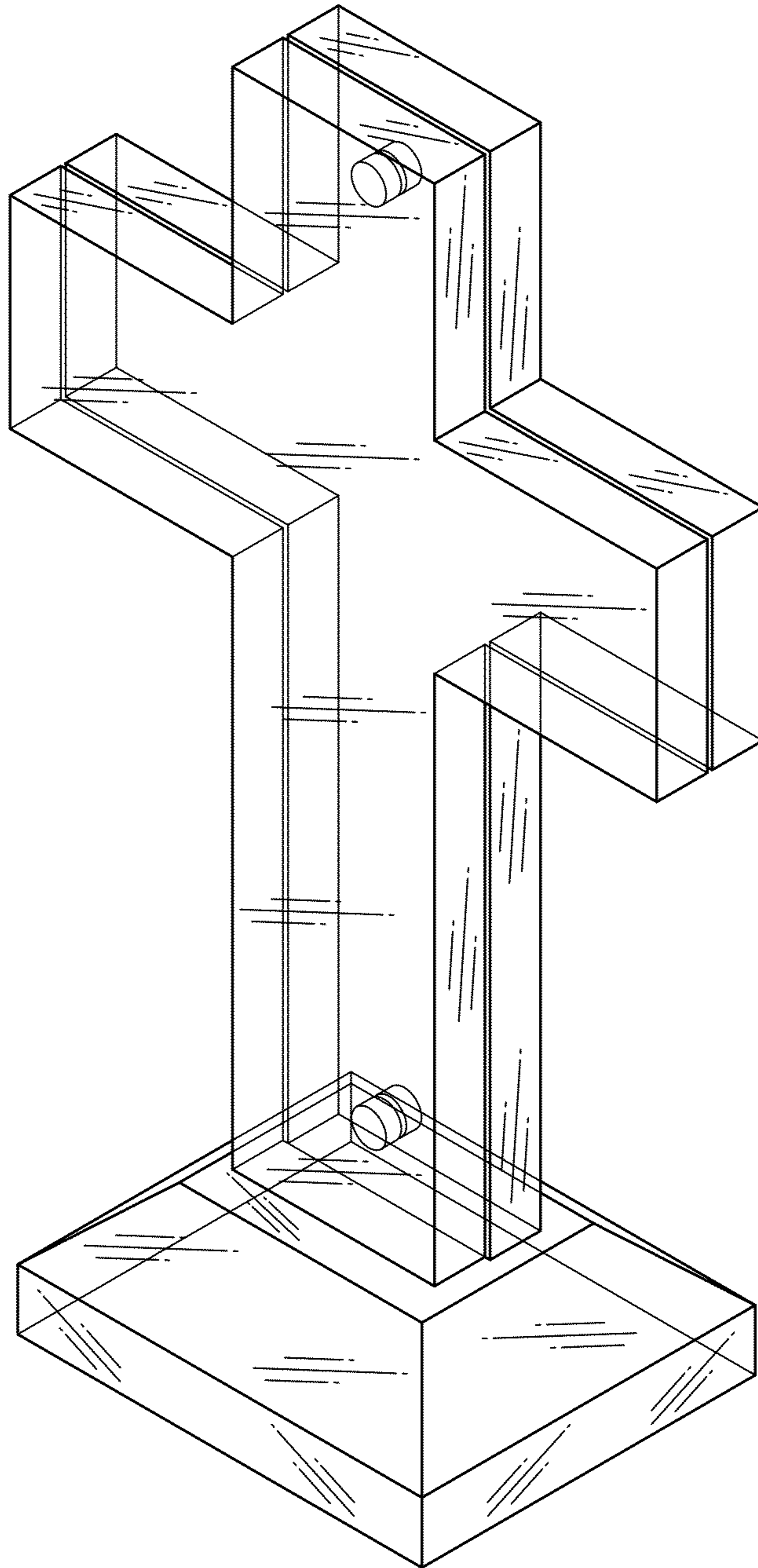


FIG. 1
(AMENDED)

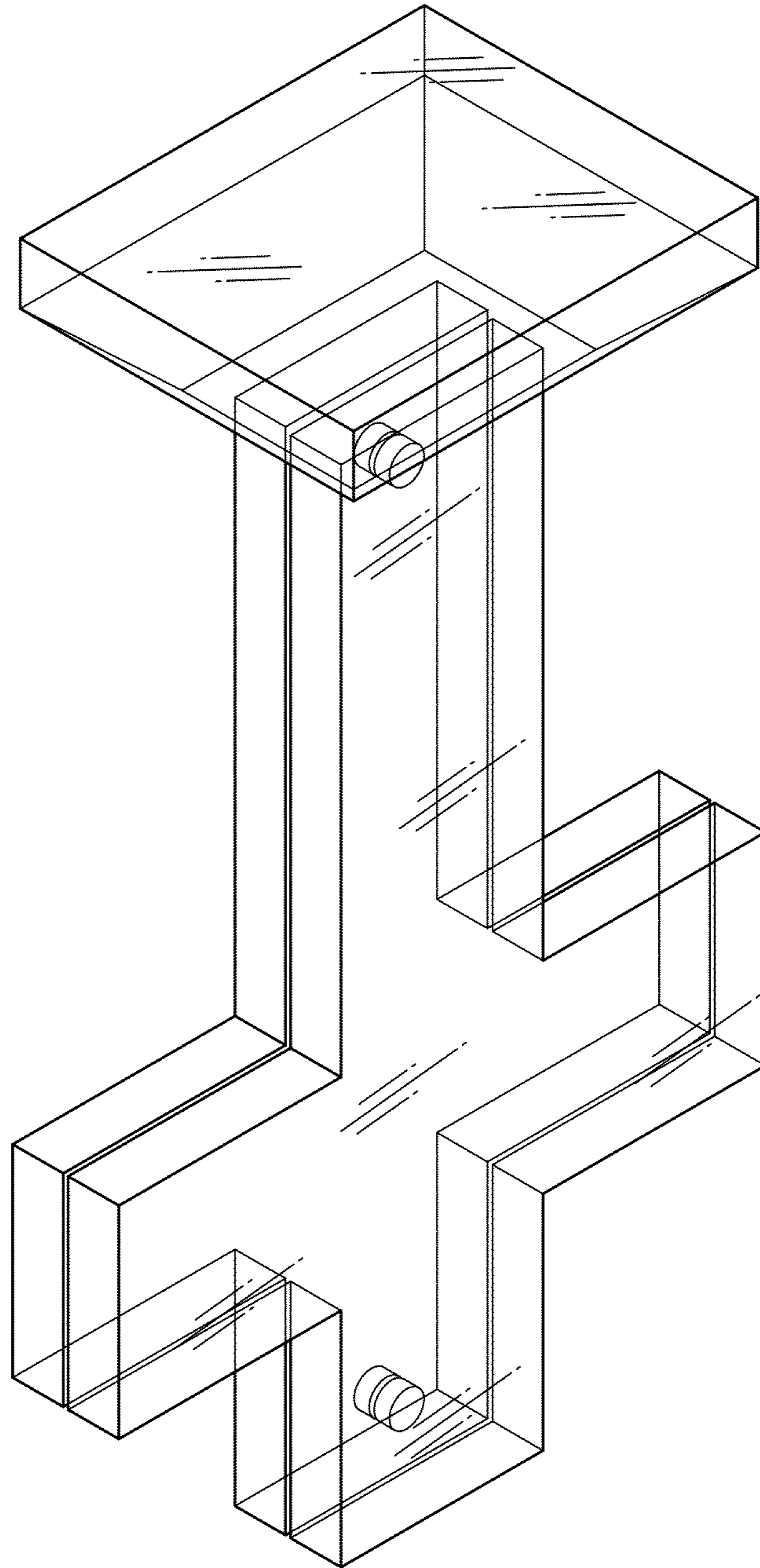


FIG. 2
(AMENDED)

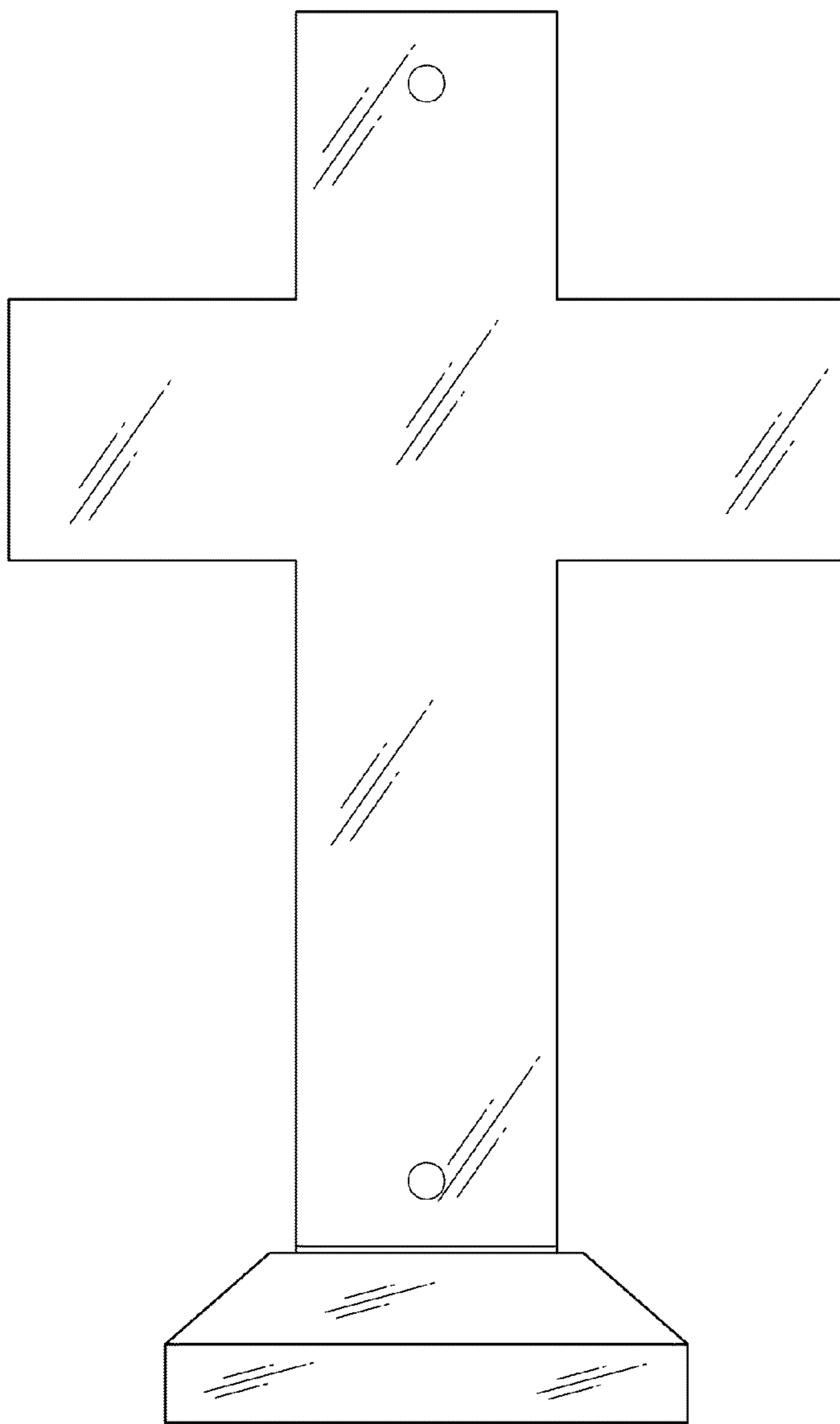


FIG. 3
(AMENDED)

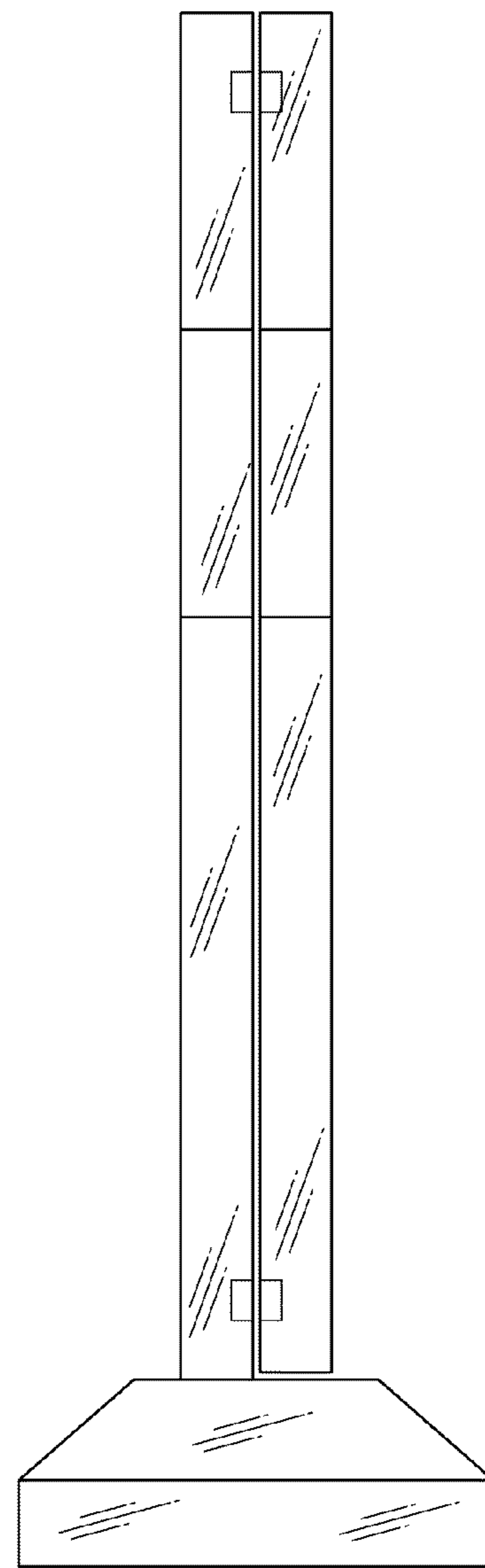


FIG. 4
(AMENDED)

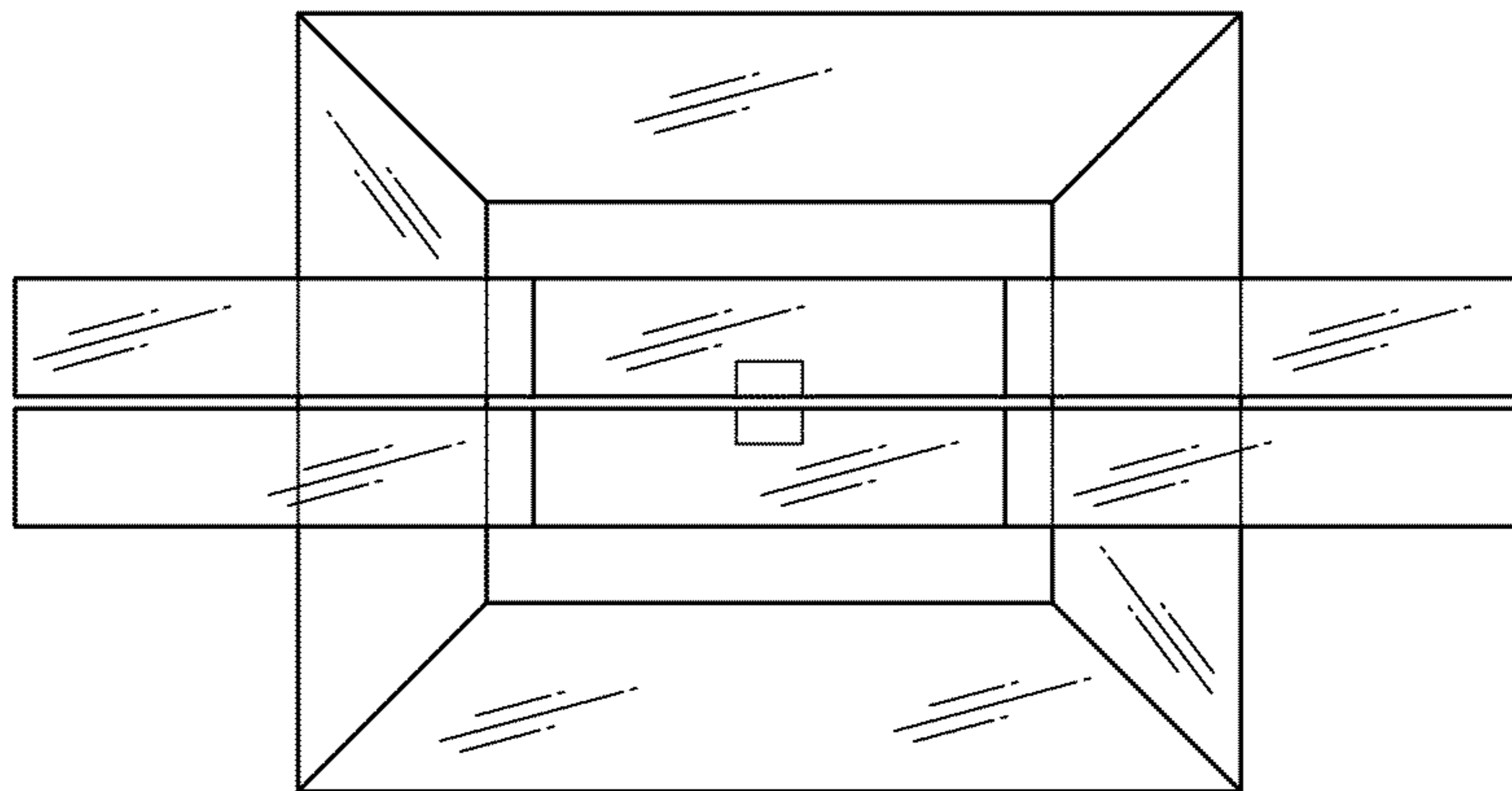


FIG. 5
(AMENDED)

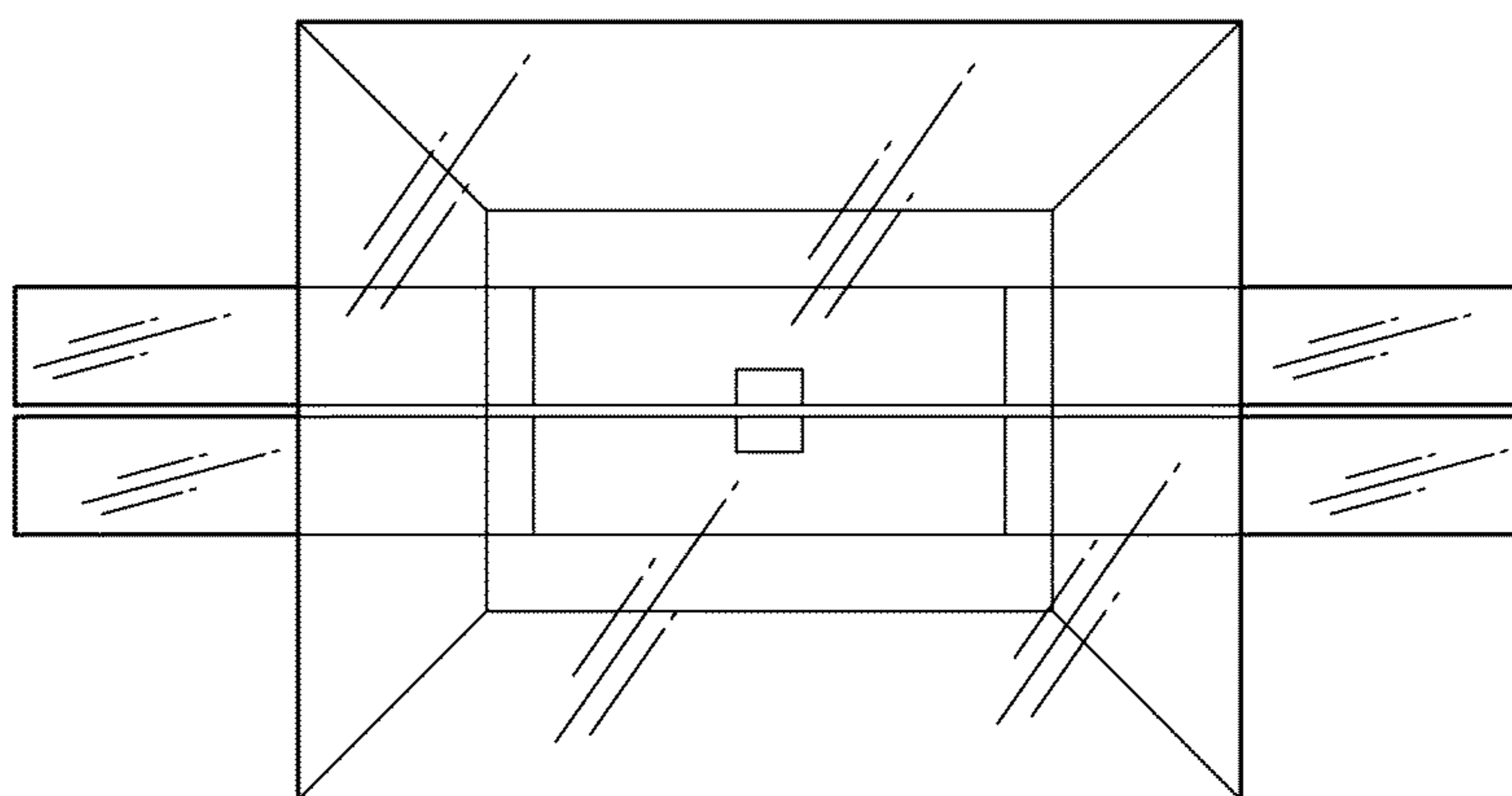


FIG. 6
(AMENDED)

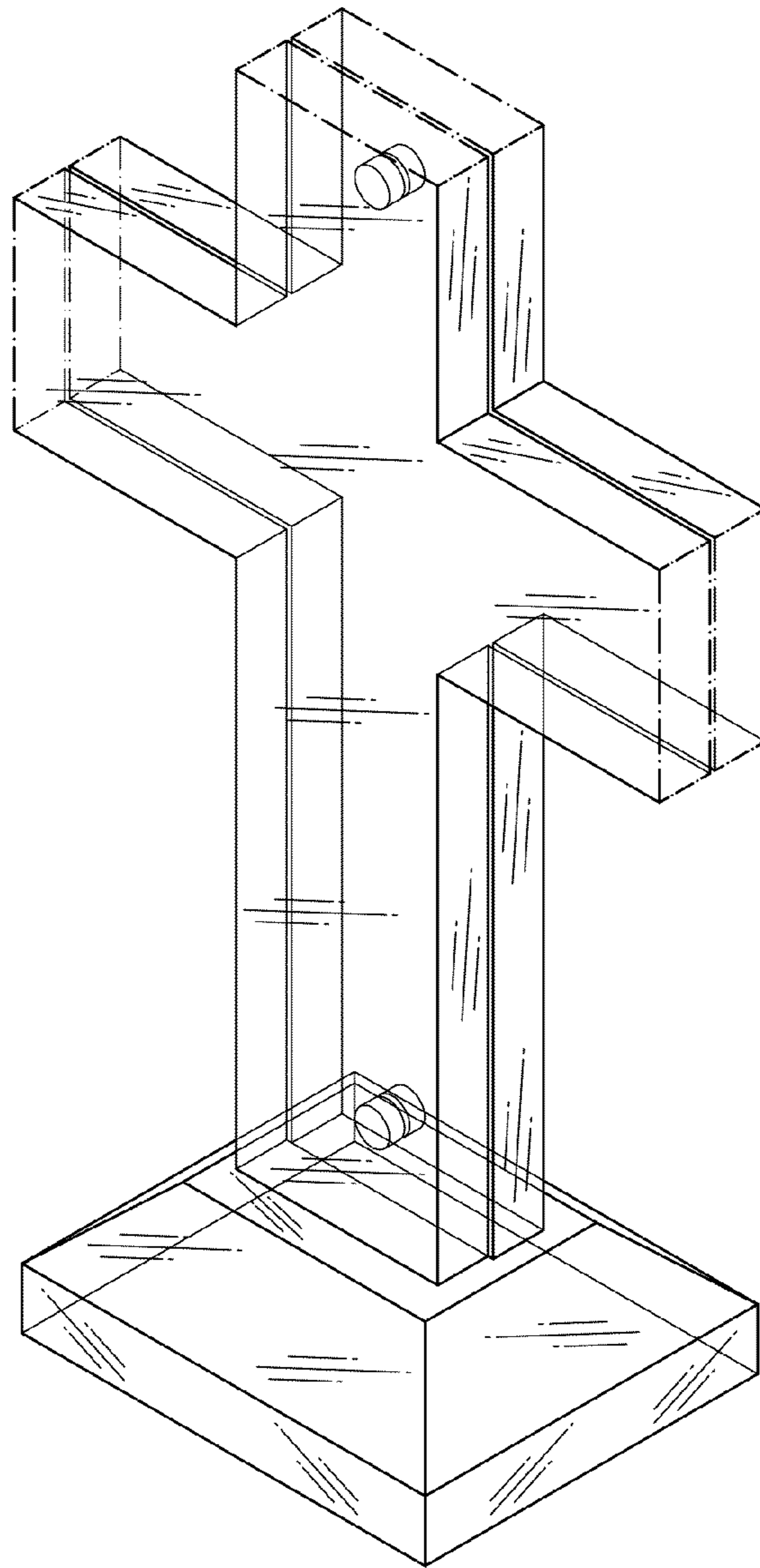


FIG. 7
(NEW)

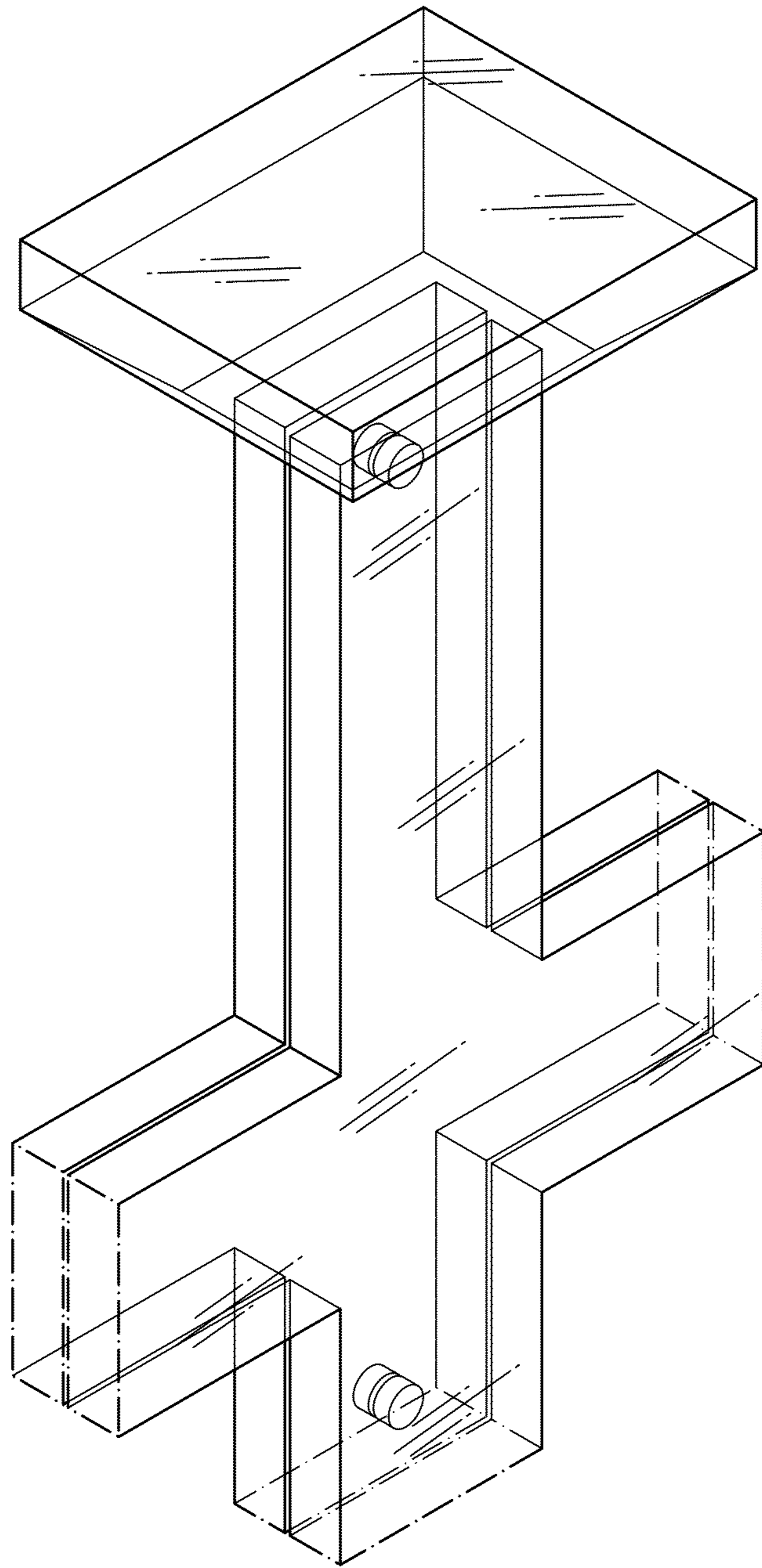


FIG. 8
(NEW)

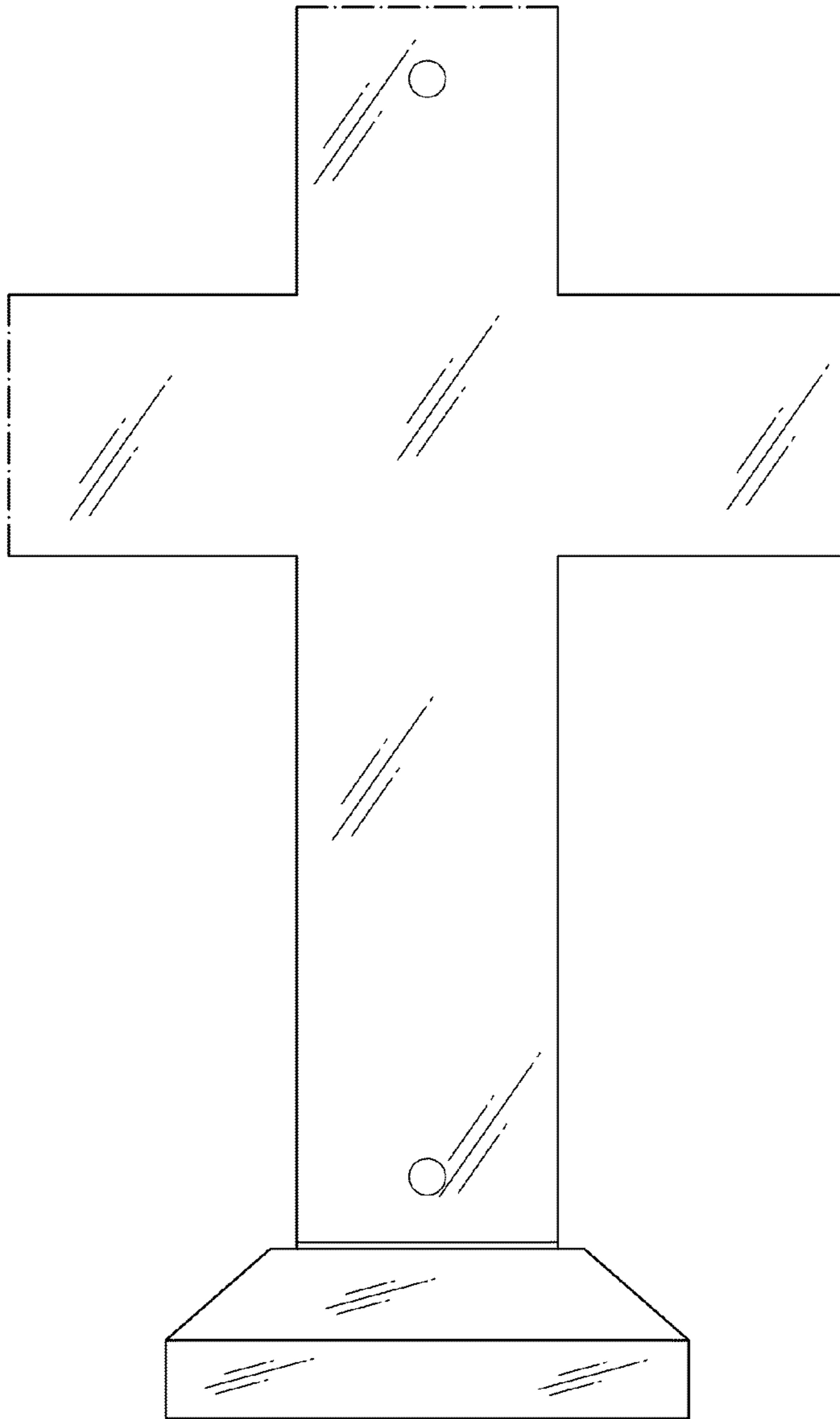


FIG. 9
(NEW)

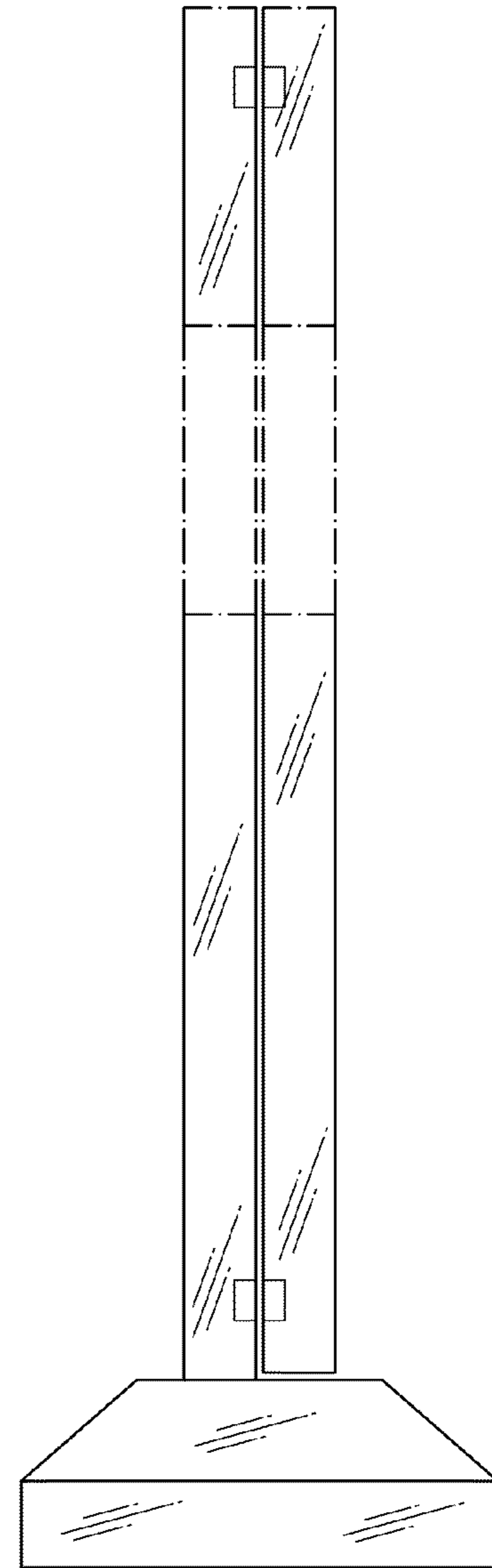


FIG. 10
(NEW)

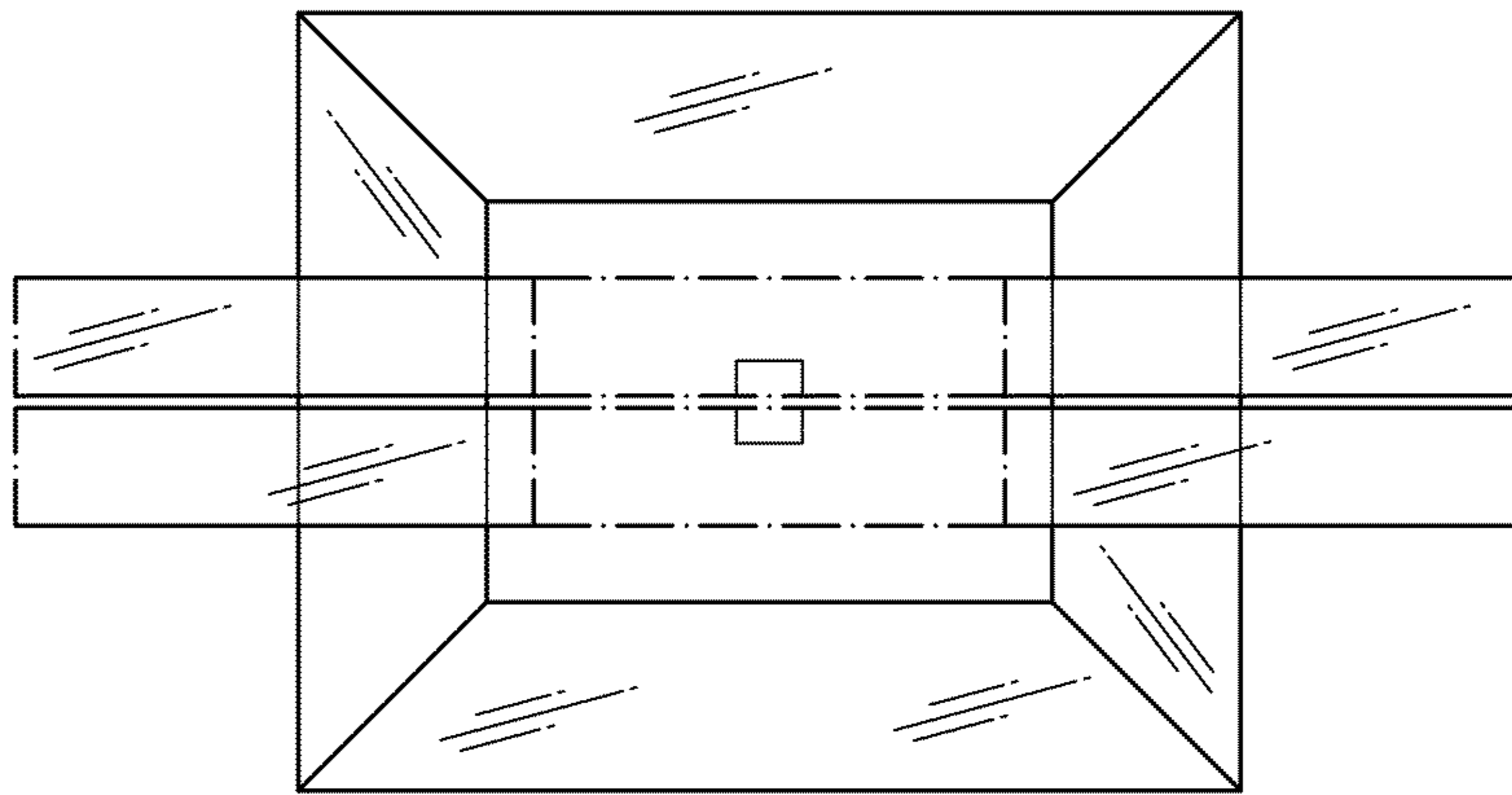


FIG. 11
(NEW)

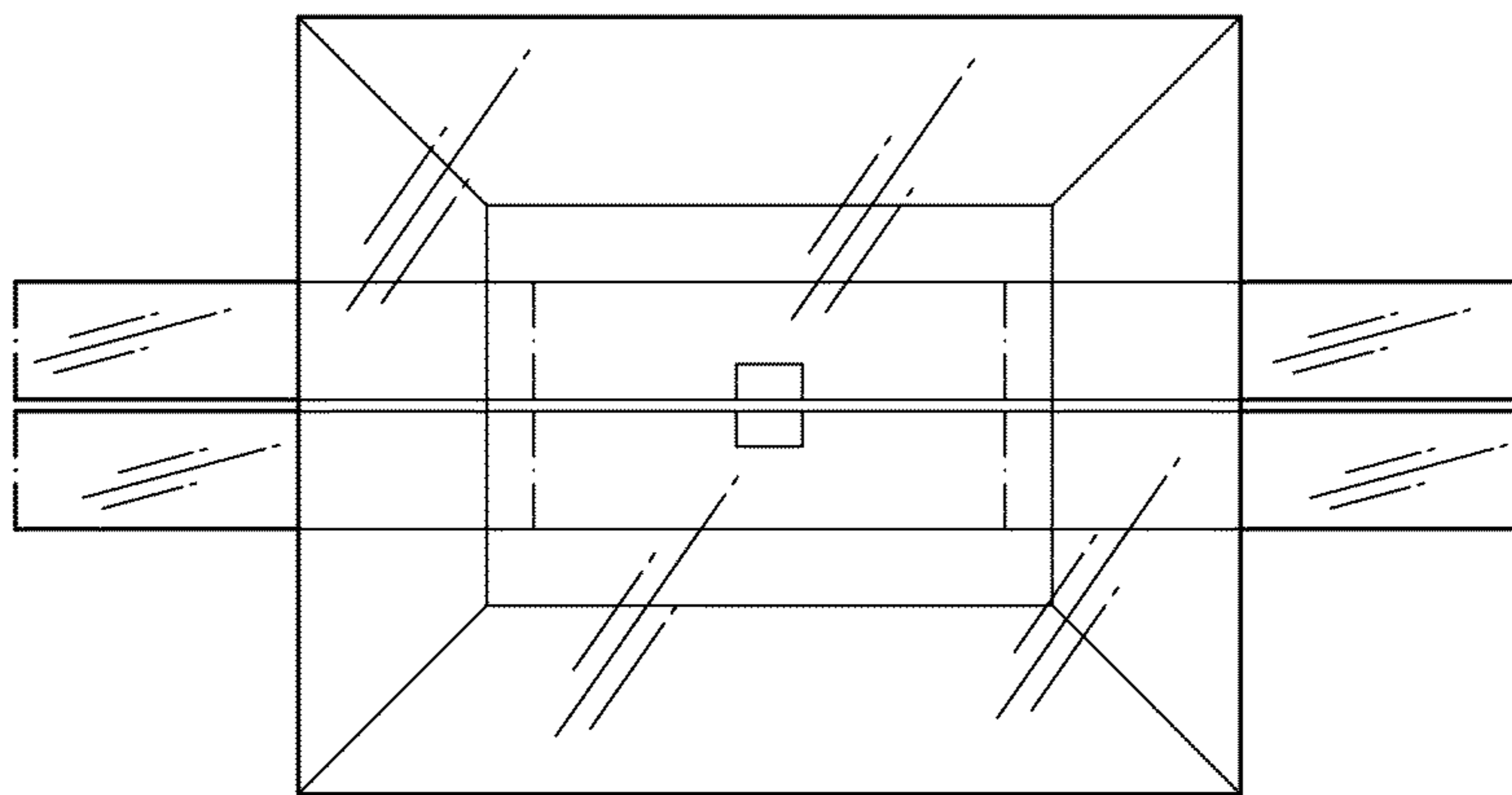


FIG. 12
(NEW)