



US00RE45596E

(19) **United States**
(12) **Reissued Patent**
Lee et al.

(10) **Patent Number:** **US RE45,596 E**
(45) **Date of Reissued Patent:** ***Jun. 30, 2015**

(54) **HIGH POWER LIGHT EMITTING DIODE PACKAGE**

(75) Inventors: **Seon Goo Lee**, Kyungki-do (KR);
Chang Wook Kim, Kyungki-do (KR);
Kyung Taeg, Kyungki-do (KR)

(73) Assignee: **SAMSUNG ELECTRONICS CO., LTD.**, Suwon-si (KR)

(*) Notice: This patent is subject to a terminal disclaimer.

(21) Appl. No.: **13/294,405**

(22) Filed: **Nov. 11, 2011**

Related U.S. Patent Documents

Reissue of:

(64) Patent No.: **7,208,772**
Issued: **Apr. 24, 2007**
Appl. No.: **11/186,971**
Filed: **Jul. 22, 2005**

U.S. Applications:

(63) Continuation of application No. 12/029,220, filed on Feb. 11, 2008, now Pat. No. Re. 43,200, which is an application for the reissue of Pat. No. 7,208,772.

(30) **Foreign Application Priority Data**

Sep. 1, 2004 (KR) 10-2004-69730
May 4, 2005 (KR) 10-2005-37421

(51) **Int. Cl.**
H01L 29/22 (2006.01)
H01L 23/48 (2006.01)
H01L 33/62 (2010.01)
H01L 33/60 (2010.01)

(52) **U.S. Cl.**
CPC **H01L 33/62** (2013.01); **H01L 33/60** (2013.01)

(58) **Field of Classification Search**
USPC 257/99, 98, 100, 692, 693, 696, 702,
257/E33.056–E33.059
See application file for complete search history.

(56) **References Cited**

U.S. PATENT DOCUMENTS

4,124,864 A * 11/1978 Greenberg 257/675
6,943,433 B2 9/2005 Kamada
6,995,510 B2 * 2/2006 Murakami et al. 313/512
7,321,161 B2 1/2008 Teixeira et al.
2003/0168720 A1 * 9/2003 Kamada 257/666
2004/0075100 A1 4/2004 Bogner et al.
2005/0012187 A1 * 1/2005 Kameyama et al. 257/676

* cited by examiner

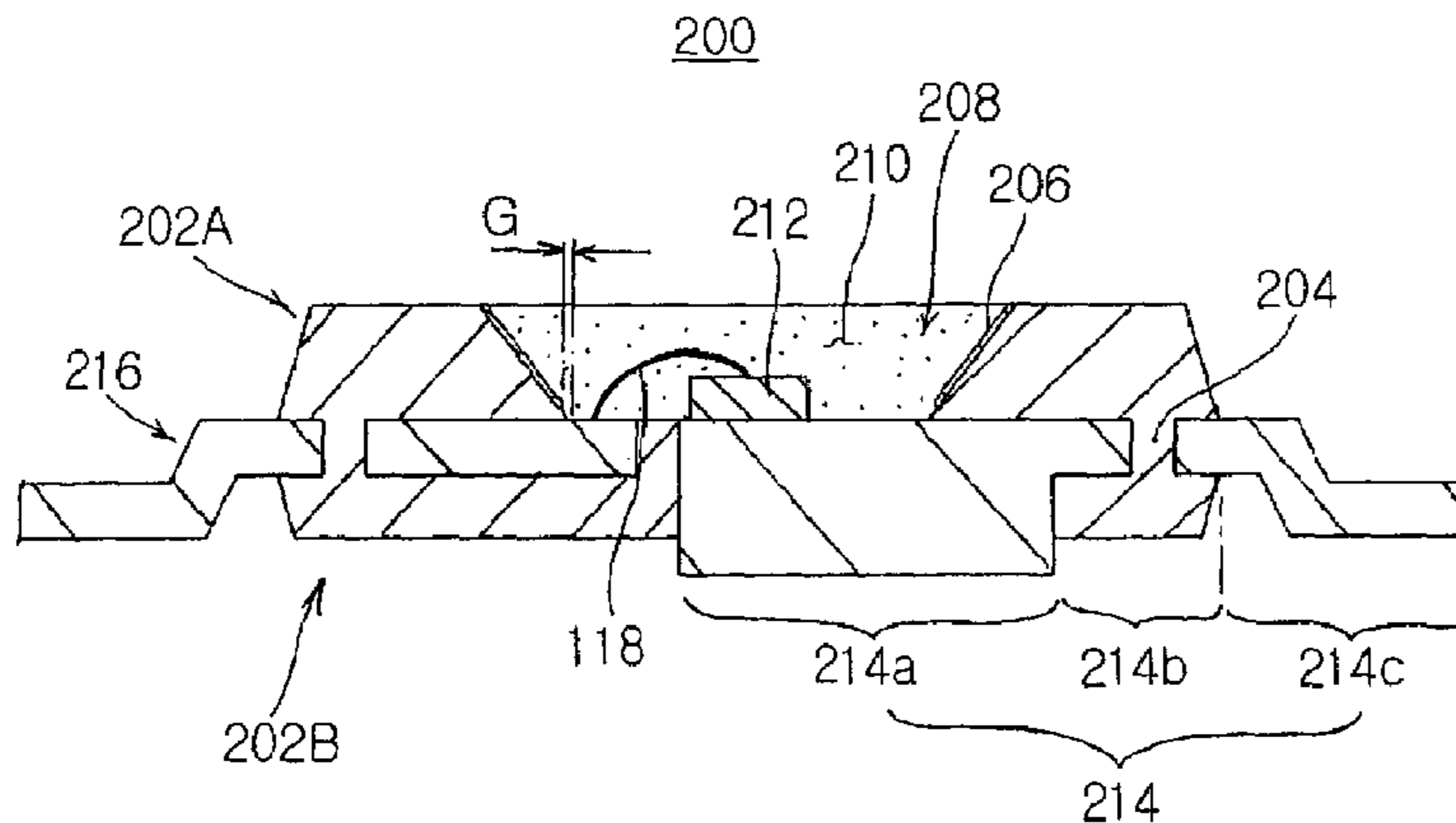
Primary Examiner — Dale E Page

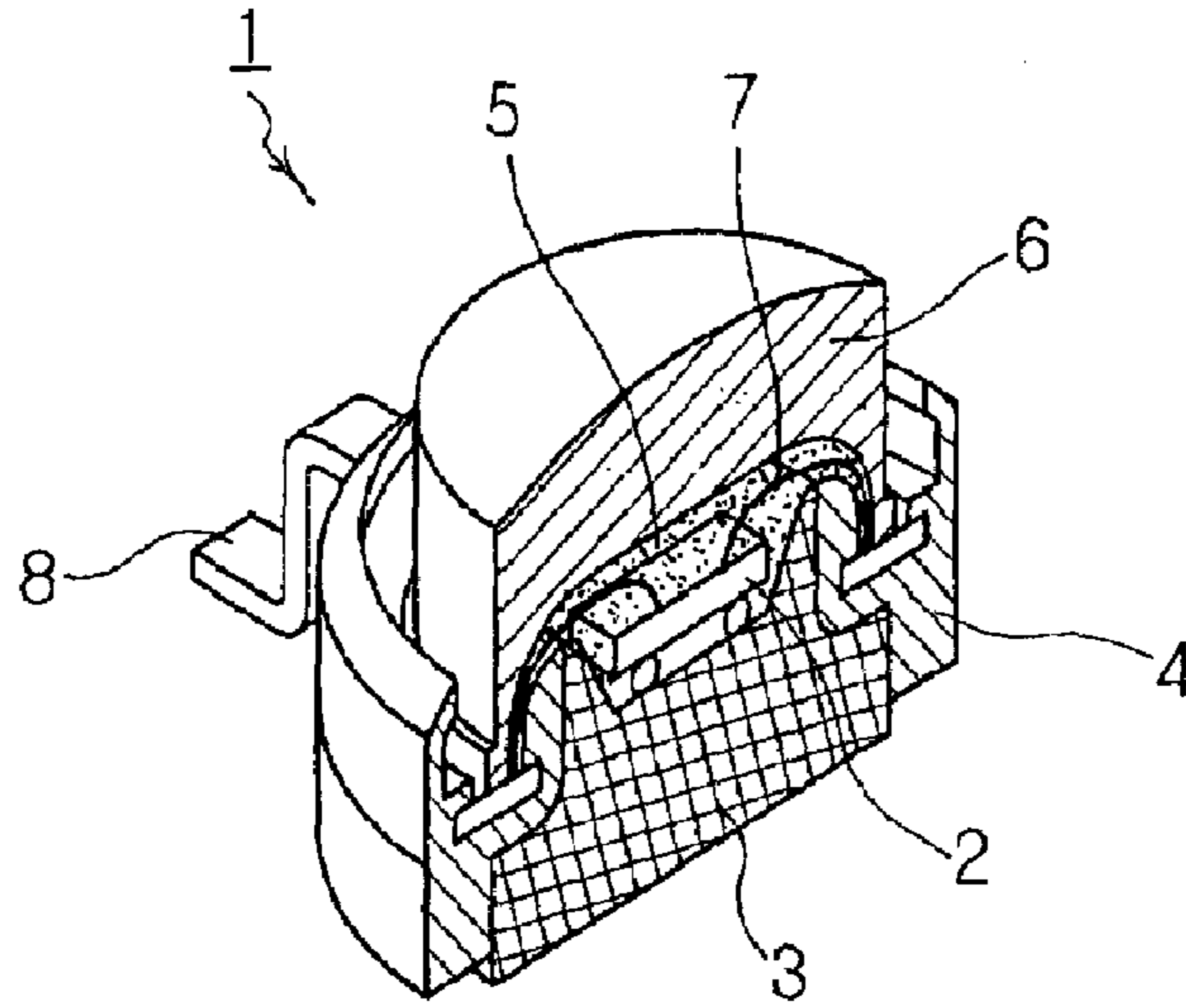
(74) *Attorney, Agent, or Firm* — Sughrue Mion, PLLC

(57) **ABSTRACT**

The invention relates to a high power LED package, in which a package body is integrally formed with resin to have a recess for receiving an LED chip. A first sheet metal member is electrically connected with the LED chip, supports the LED chip at its upper partial portion in the recess, is surrounded by the package body extending to the side face of the package body, and has a heat transfer section for transferring heat generated from the LED chip to the metal plate of the board and extending downward from the inside of the package body so that a lower end thereof is exposed at a bottom face of the package body thus to contact the board. A second sheet metal member is electrically connected with the LED chip spaced apart from the first sheet metal member for a predetermined gap, and extends through the inside of the package body to the side face of the package body in a direction opposite to the first sheet metal member. A transparent sealant is sealingly filled up into the recess. The LED package raises thermal radiation efficiency with a simplified structure in order to reduce the size and thickness thereof.

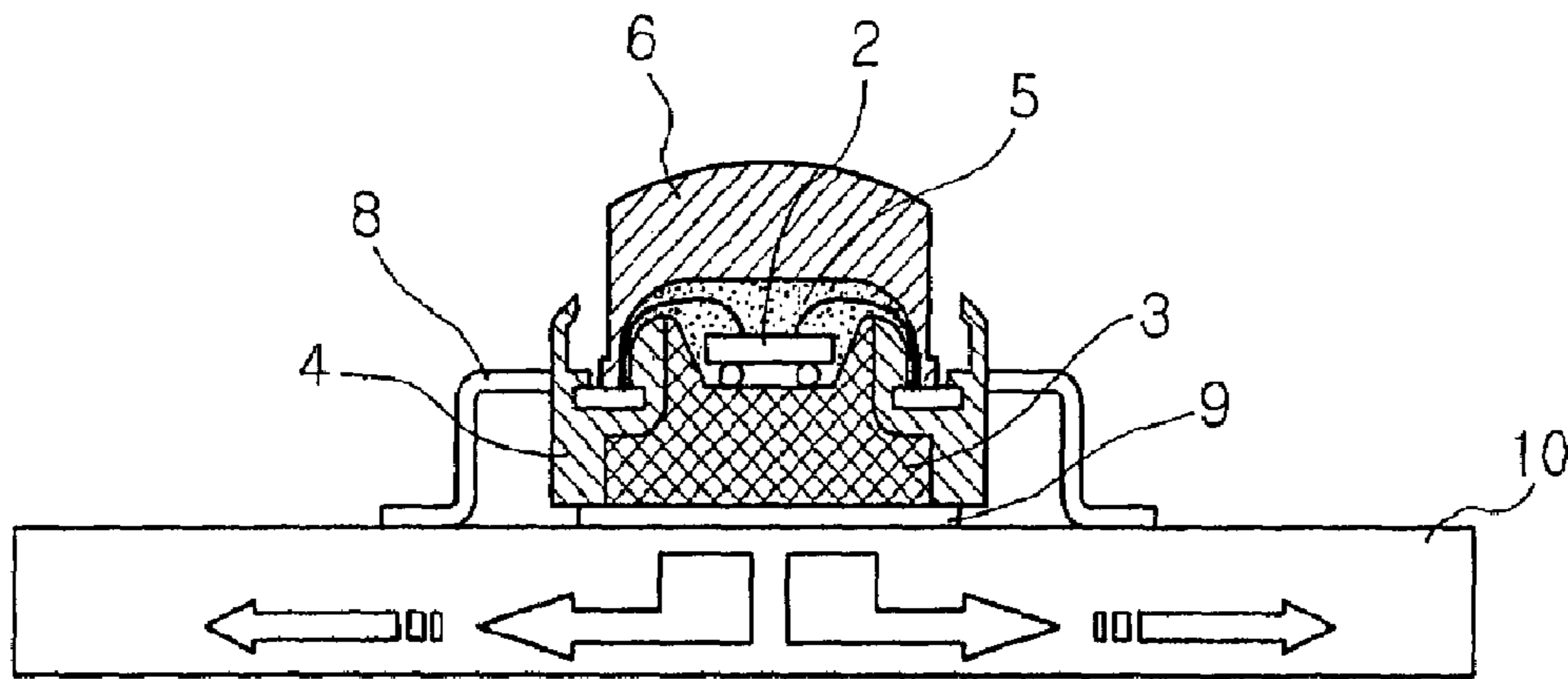
9 Claims, 18 Drawing Sheets





PRIOR ART

FIG. 1



PRIOR ART

FIG. 2

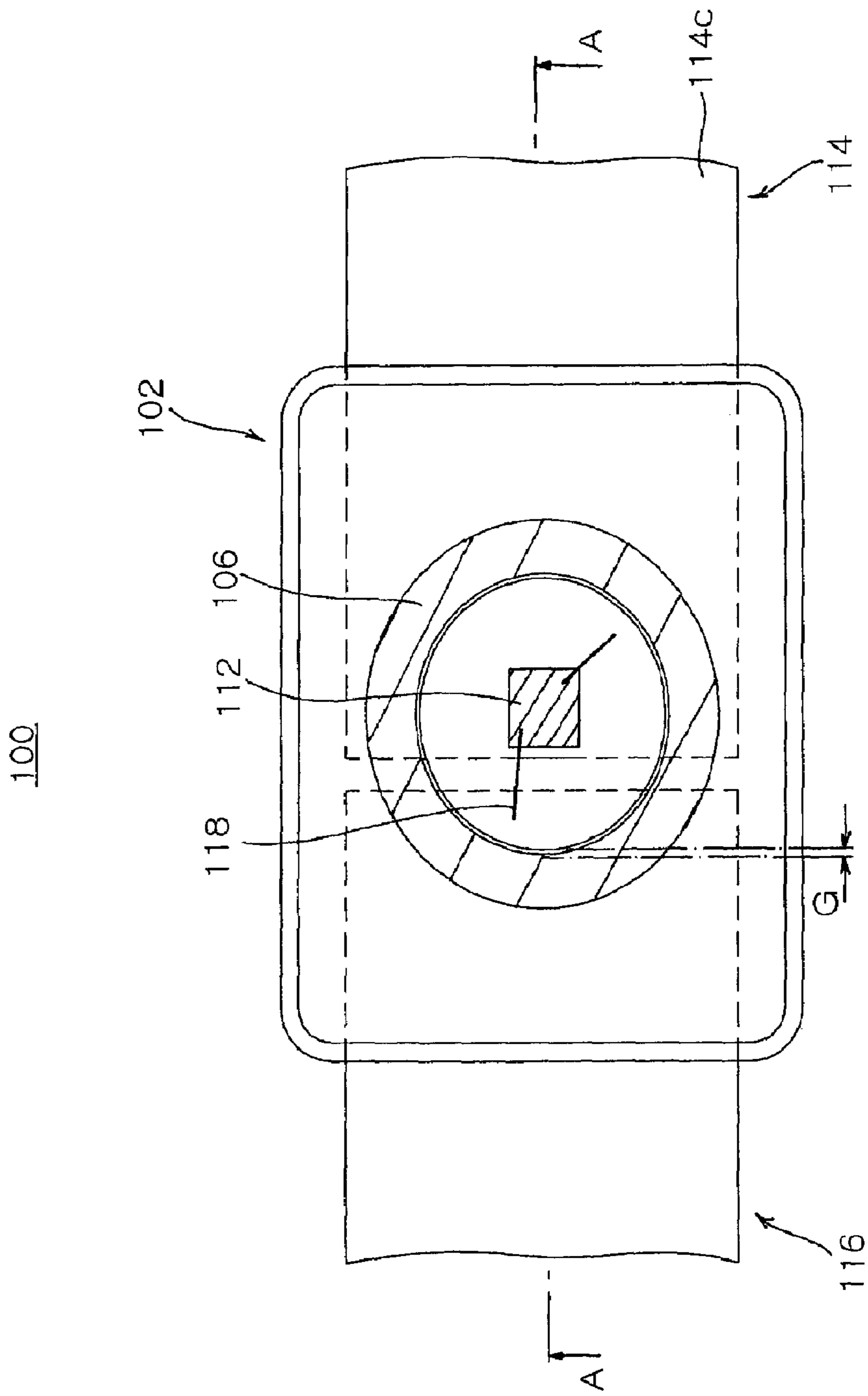


FIG. 3

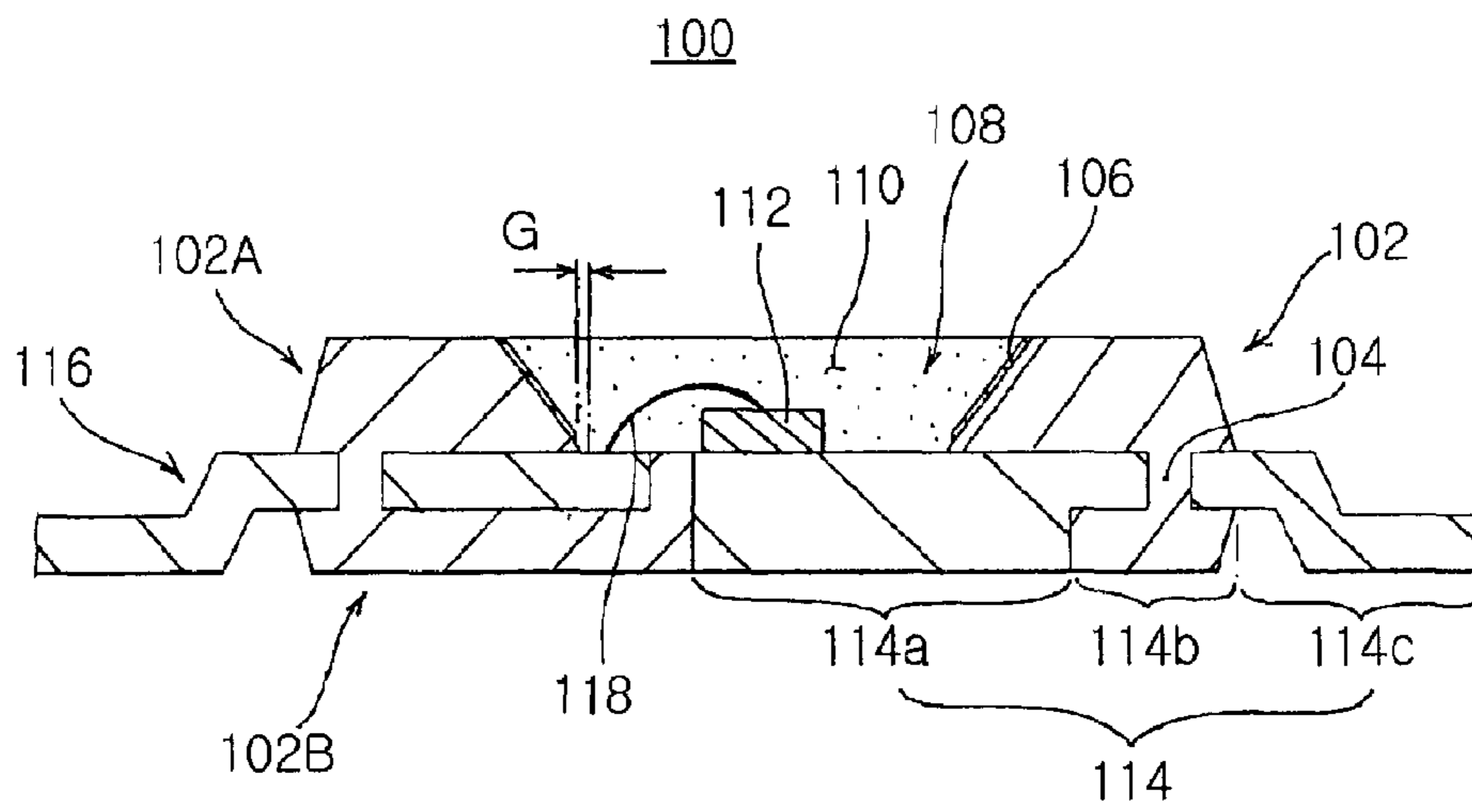


FIG. 4

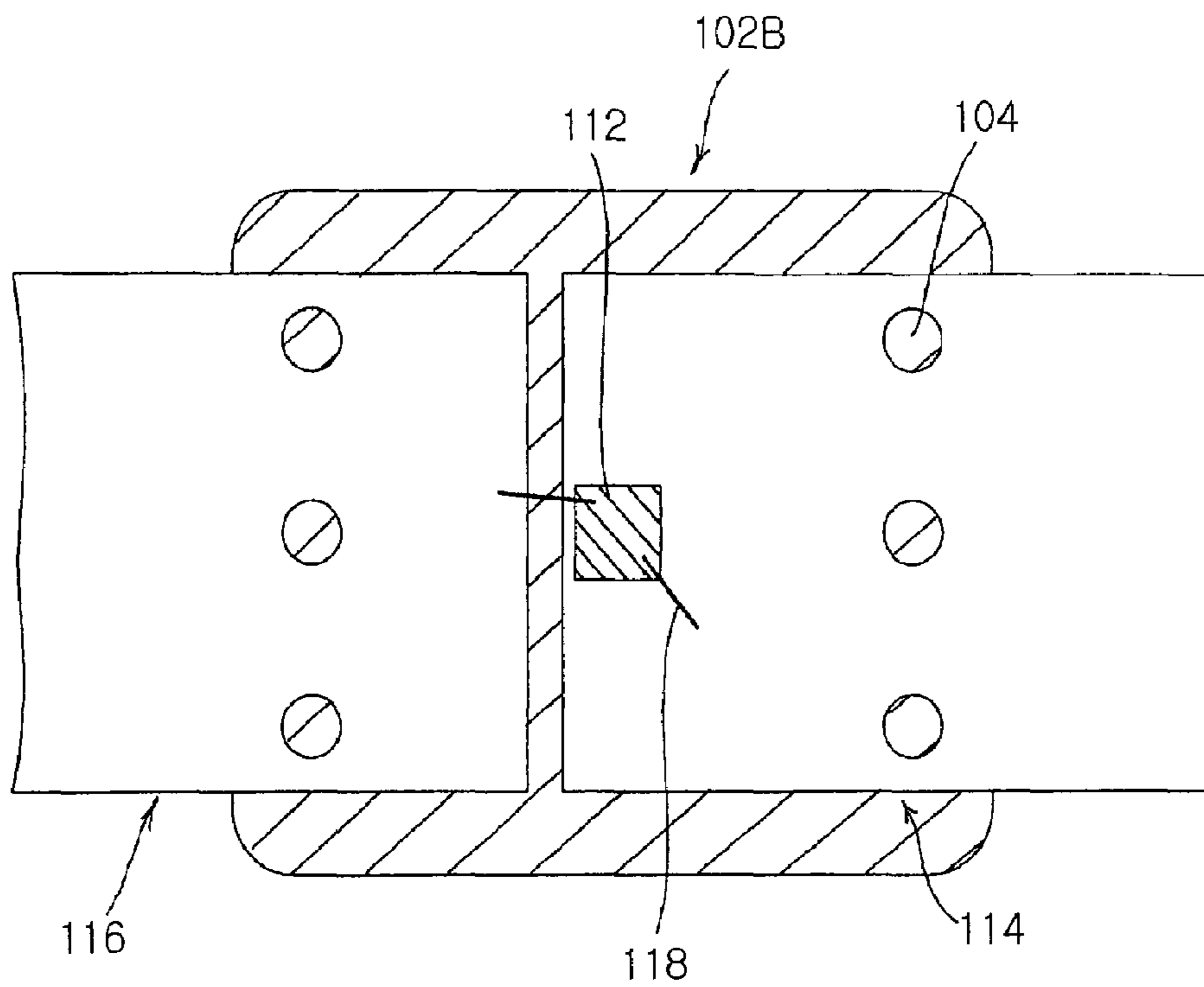


FIG. 5

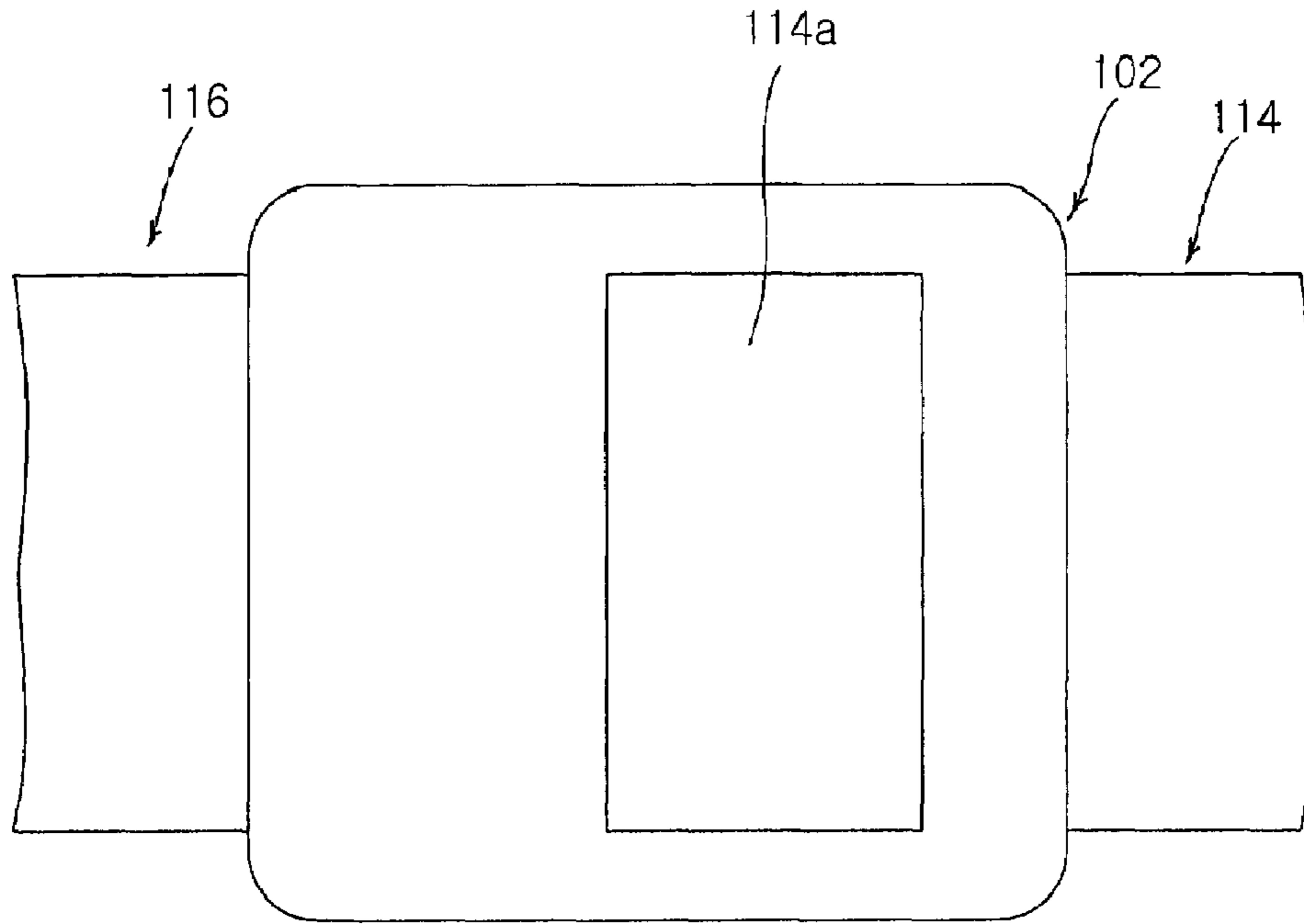


FIG. 6

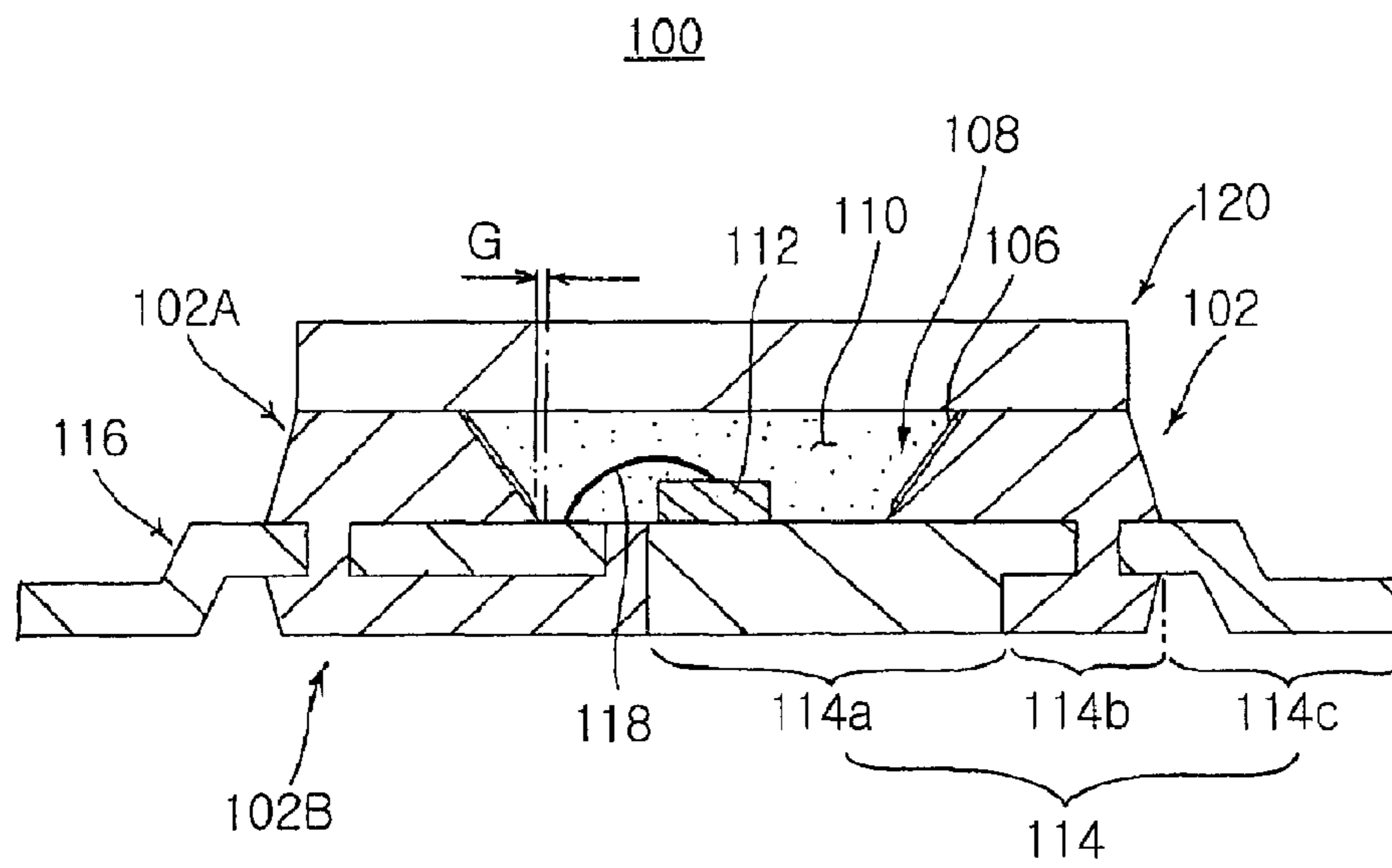


FIG. 7

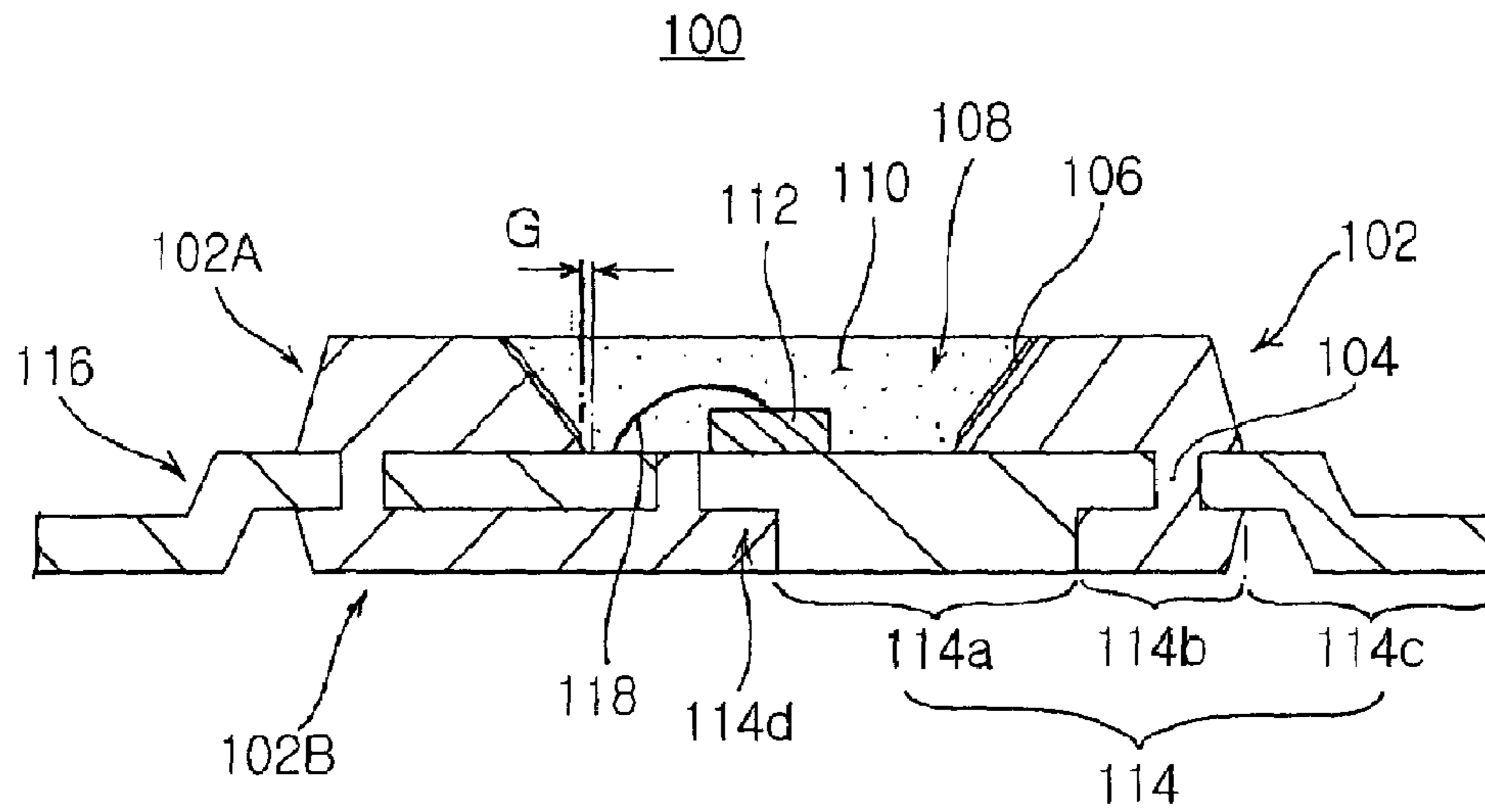


FIG. 8

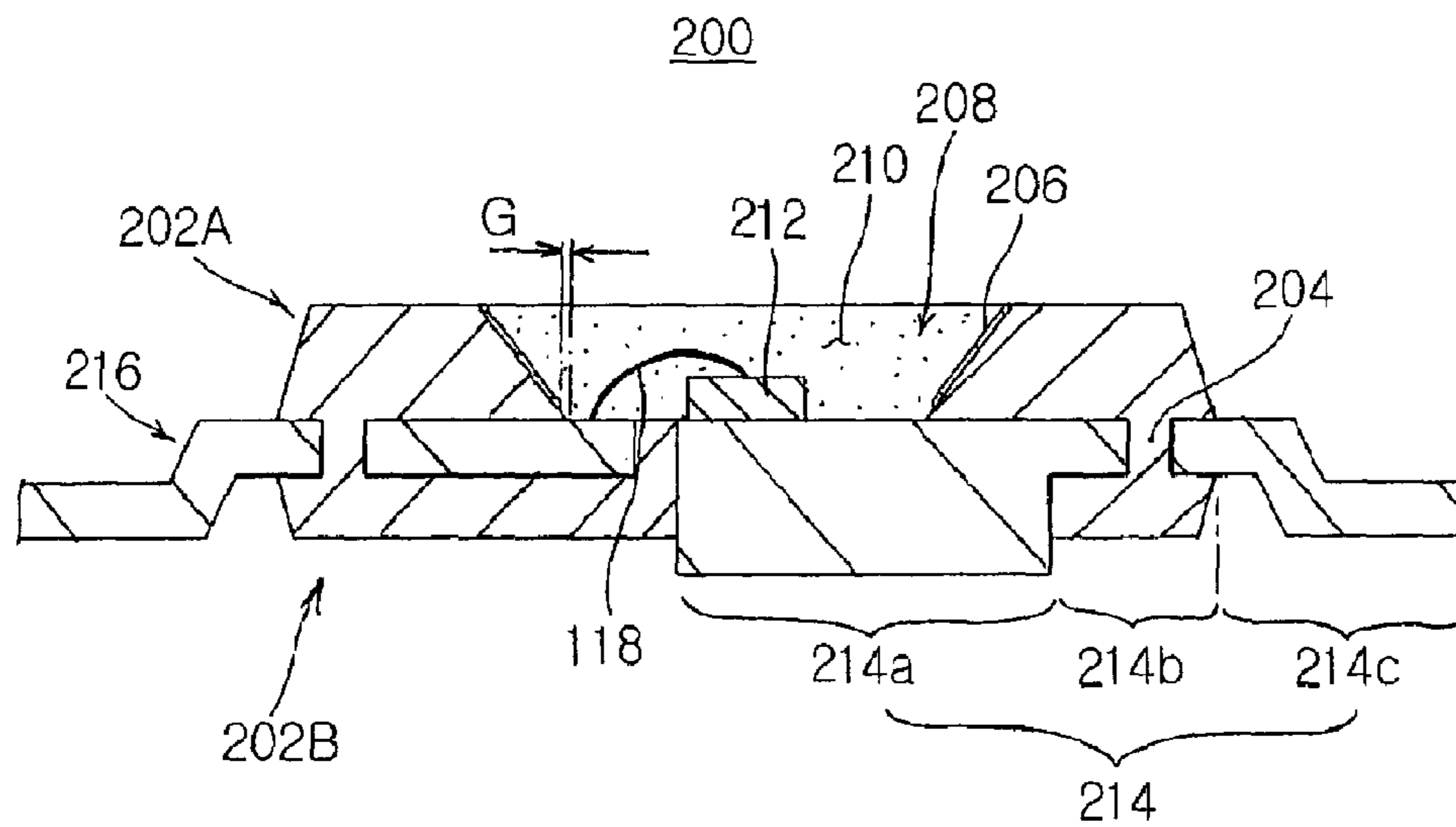


FIG. 9

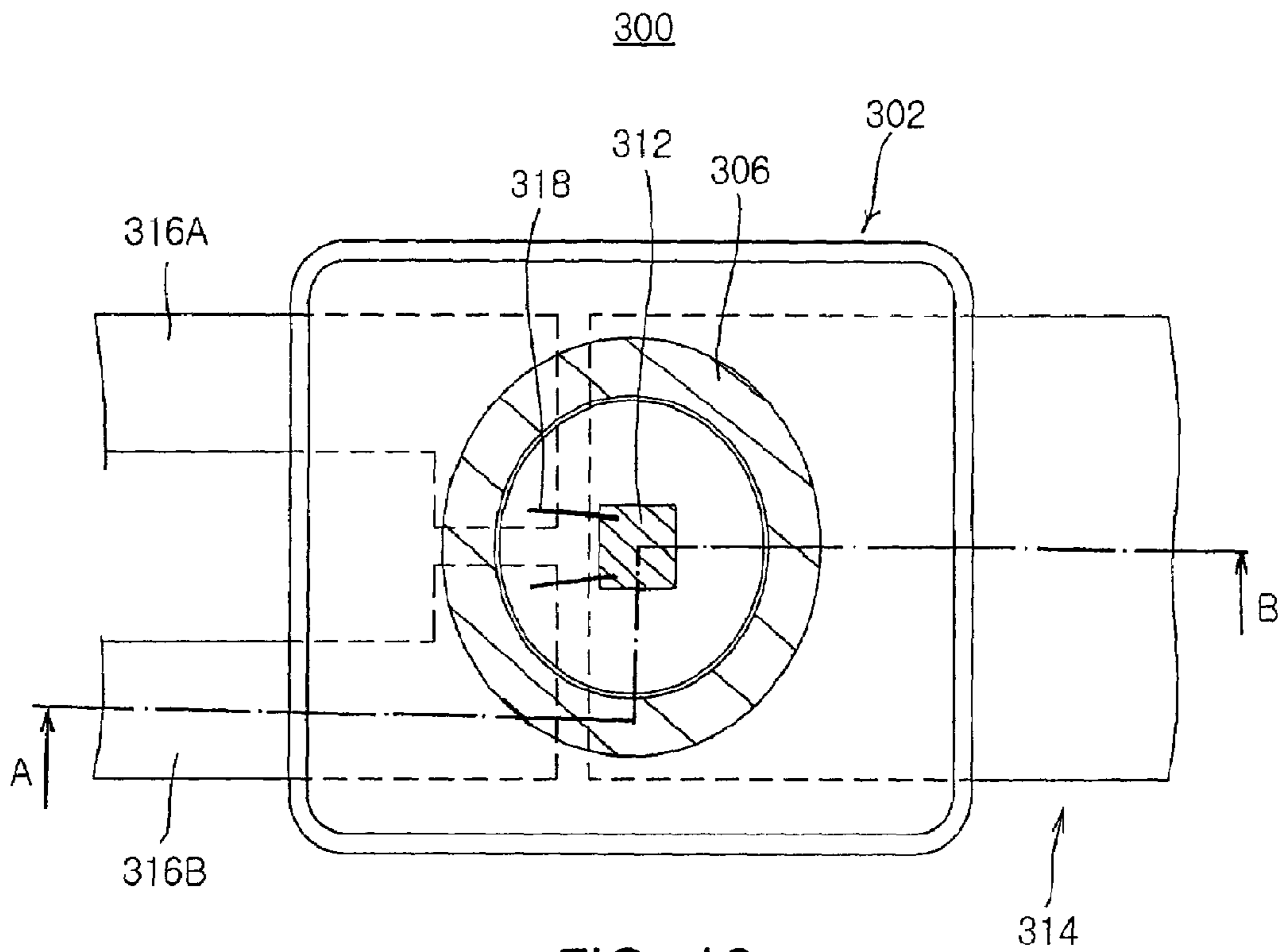


FIG. 12

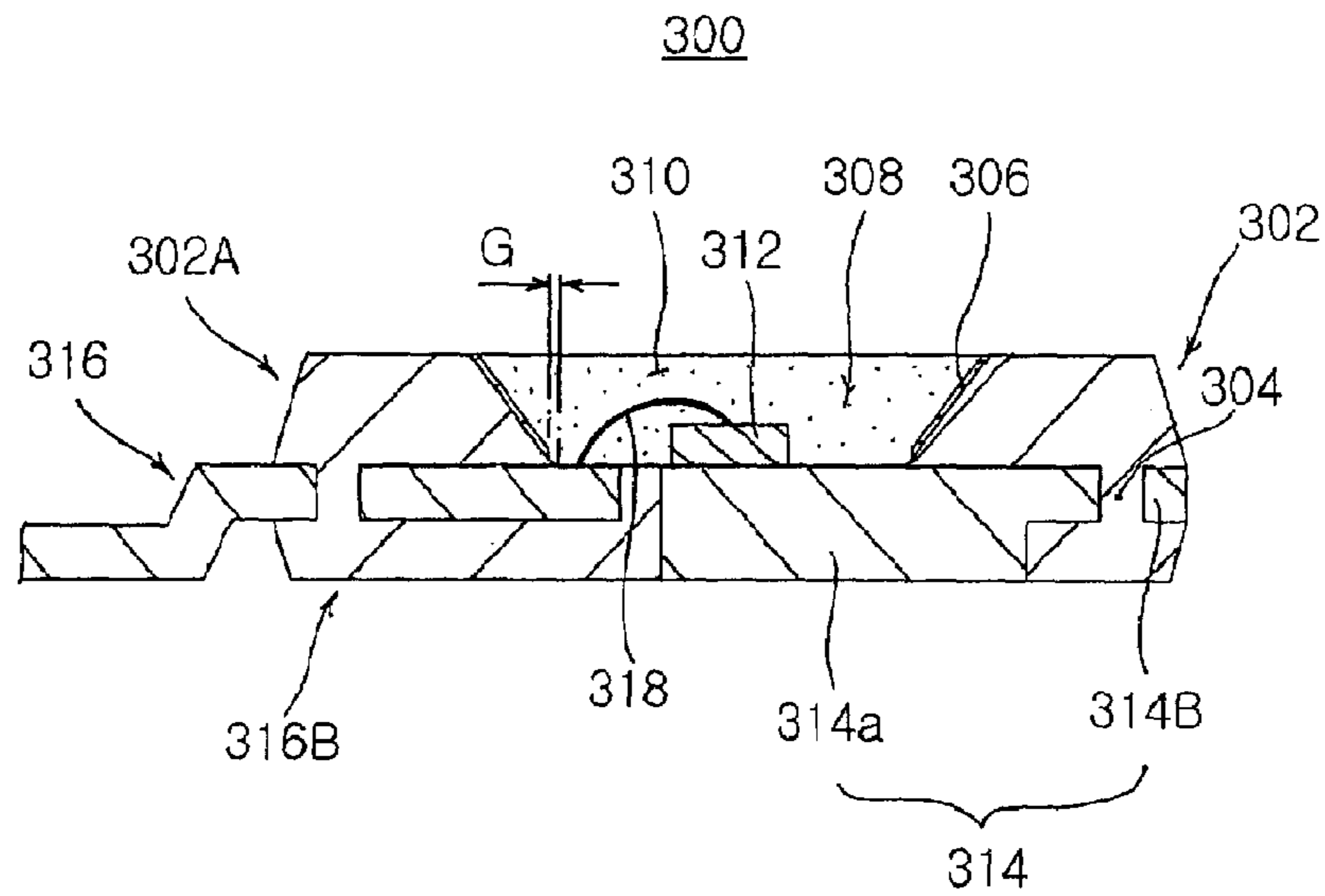


FIG. 13

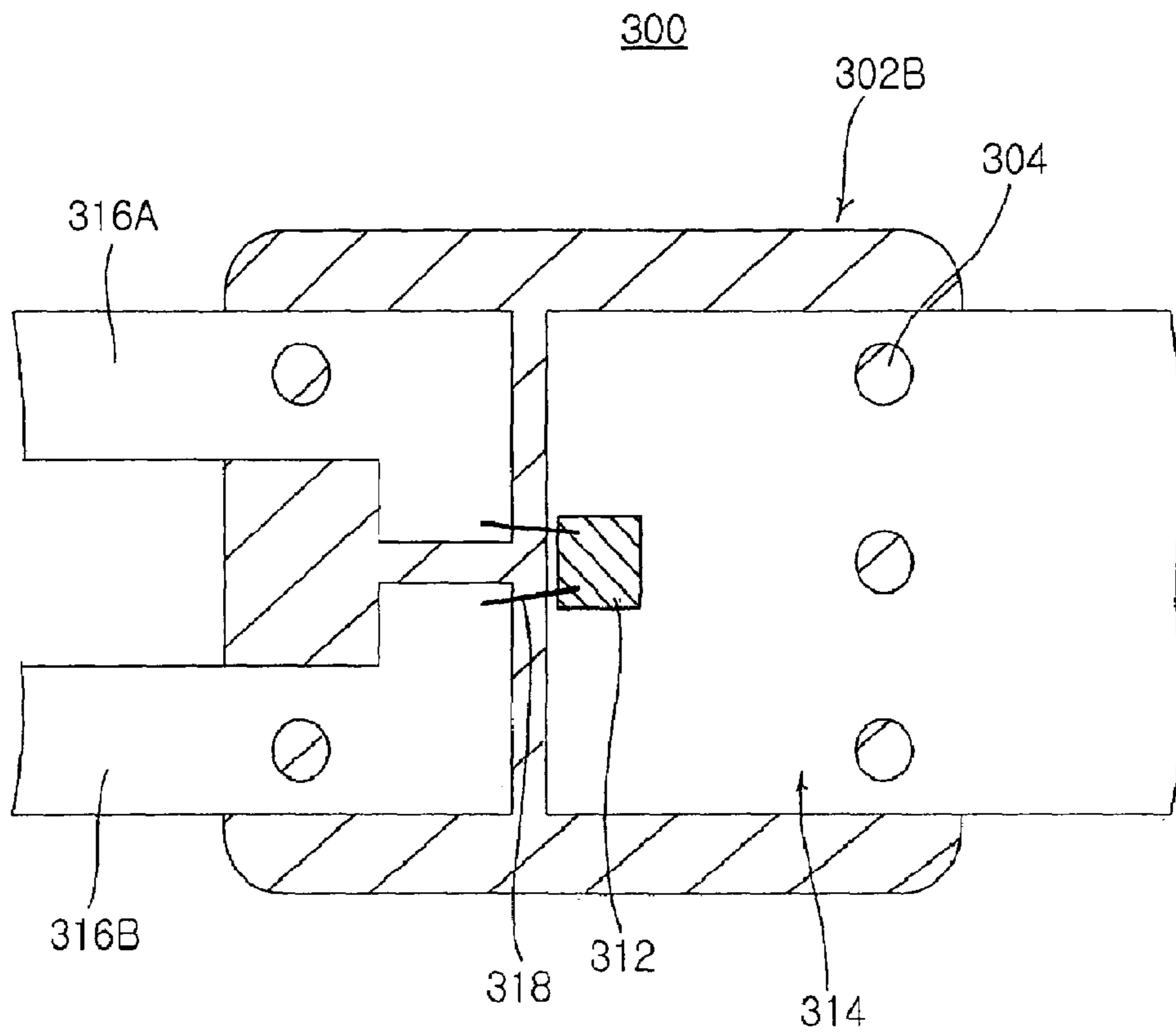


FIG. 14

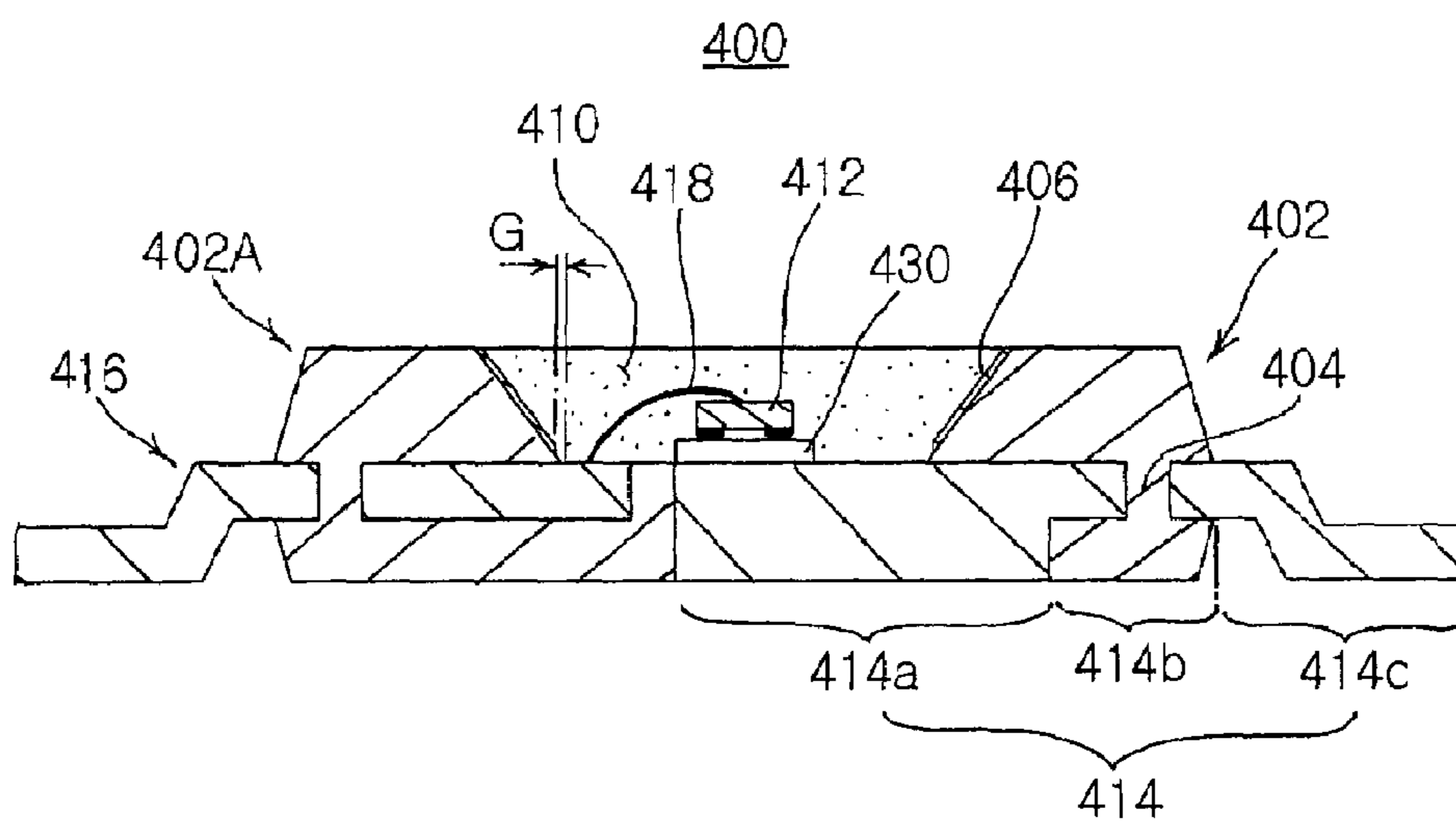


FIG. 15

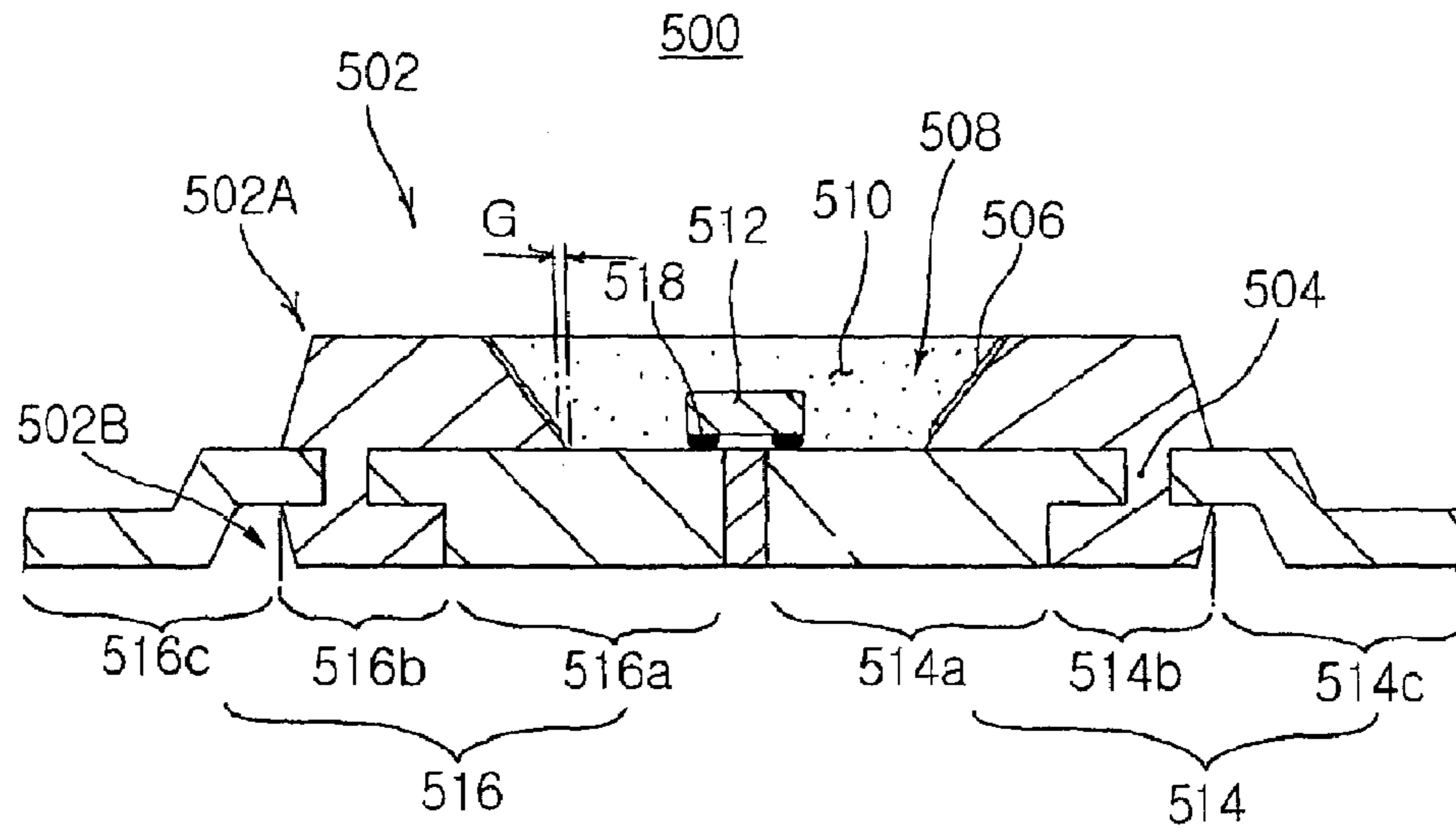


FIG. 16

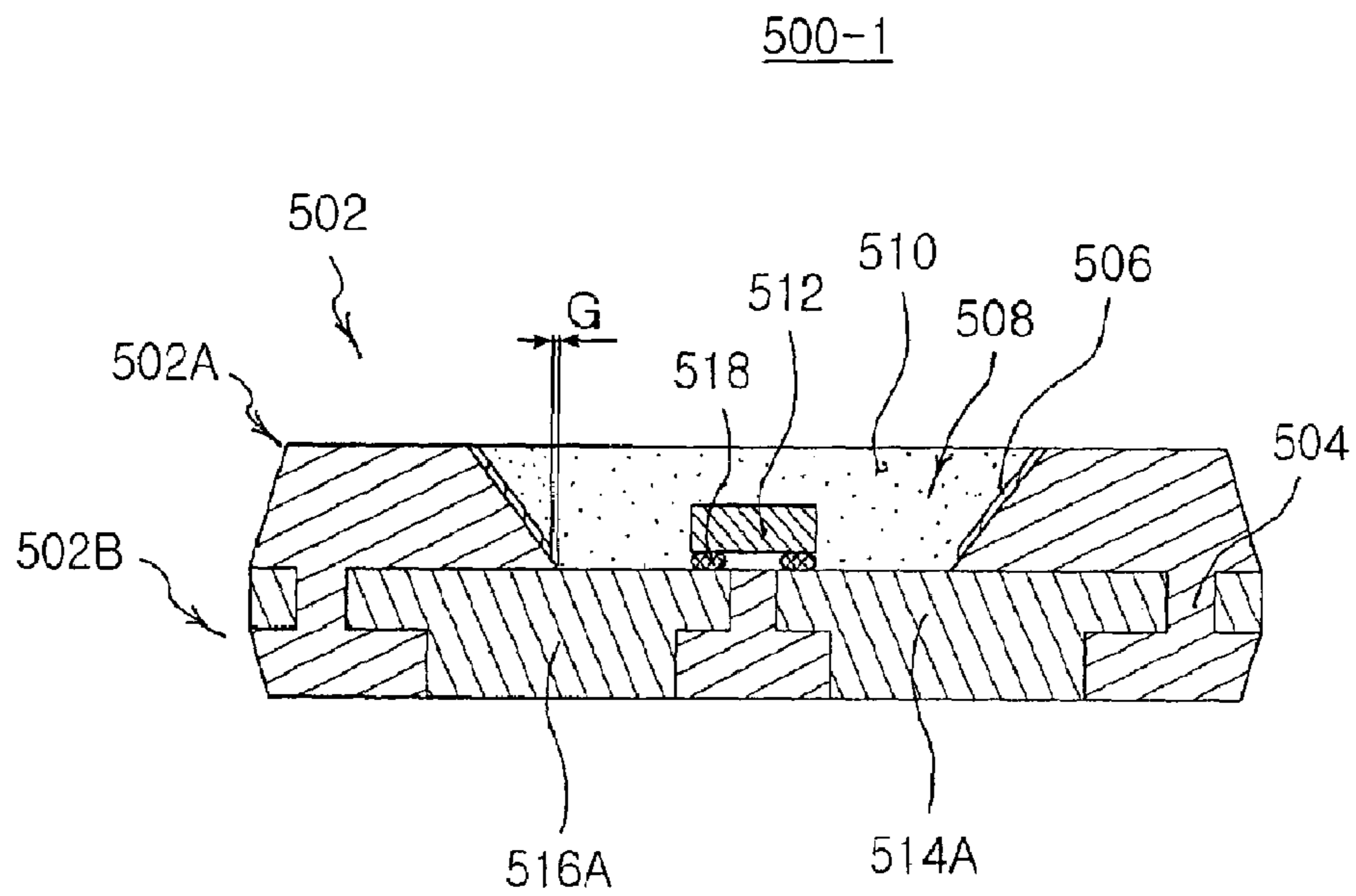


FIG. 17

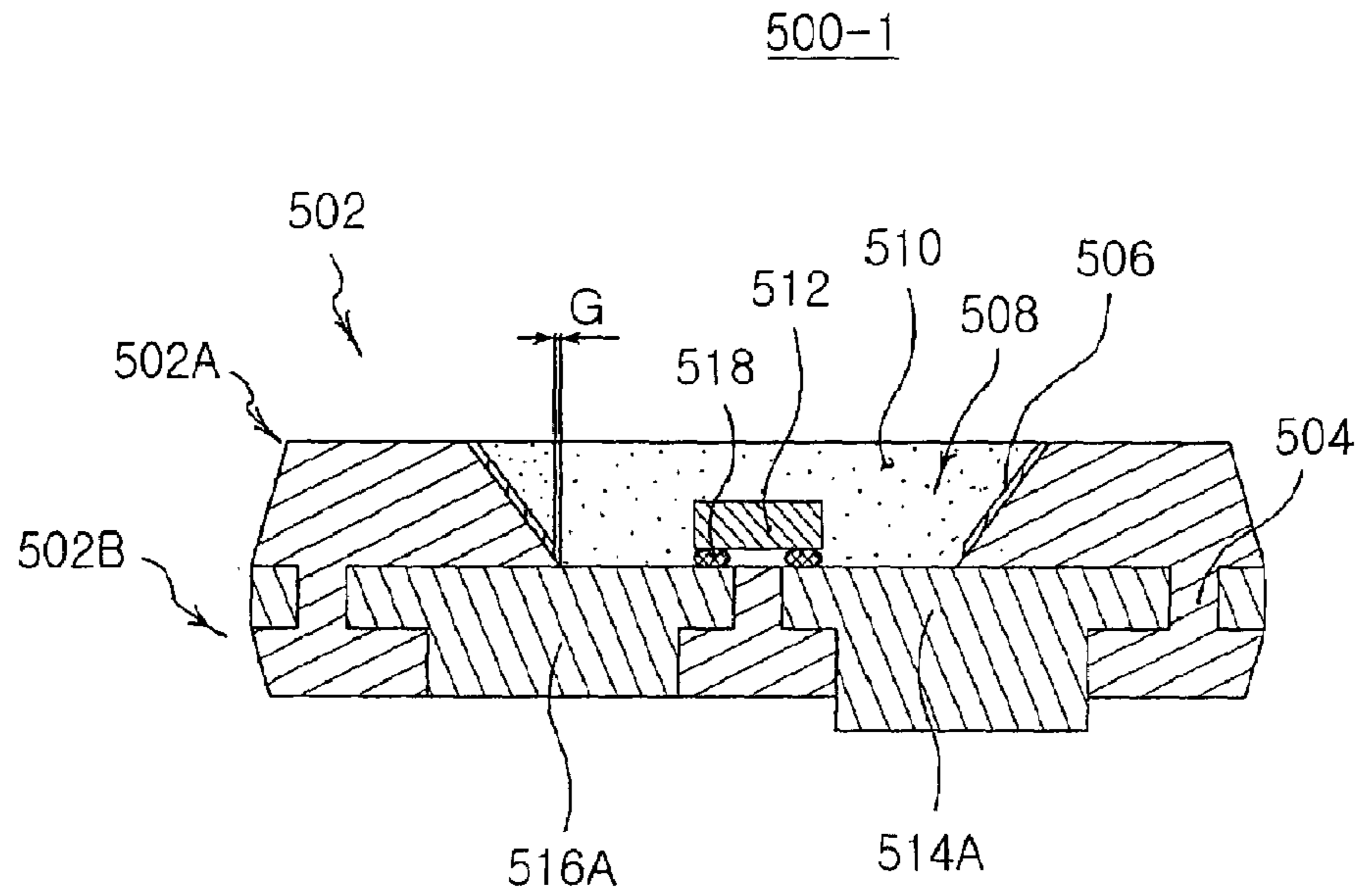


FIG. 18

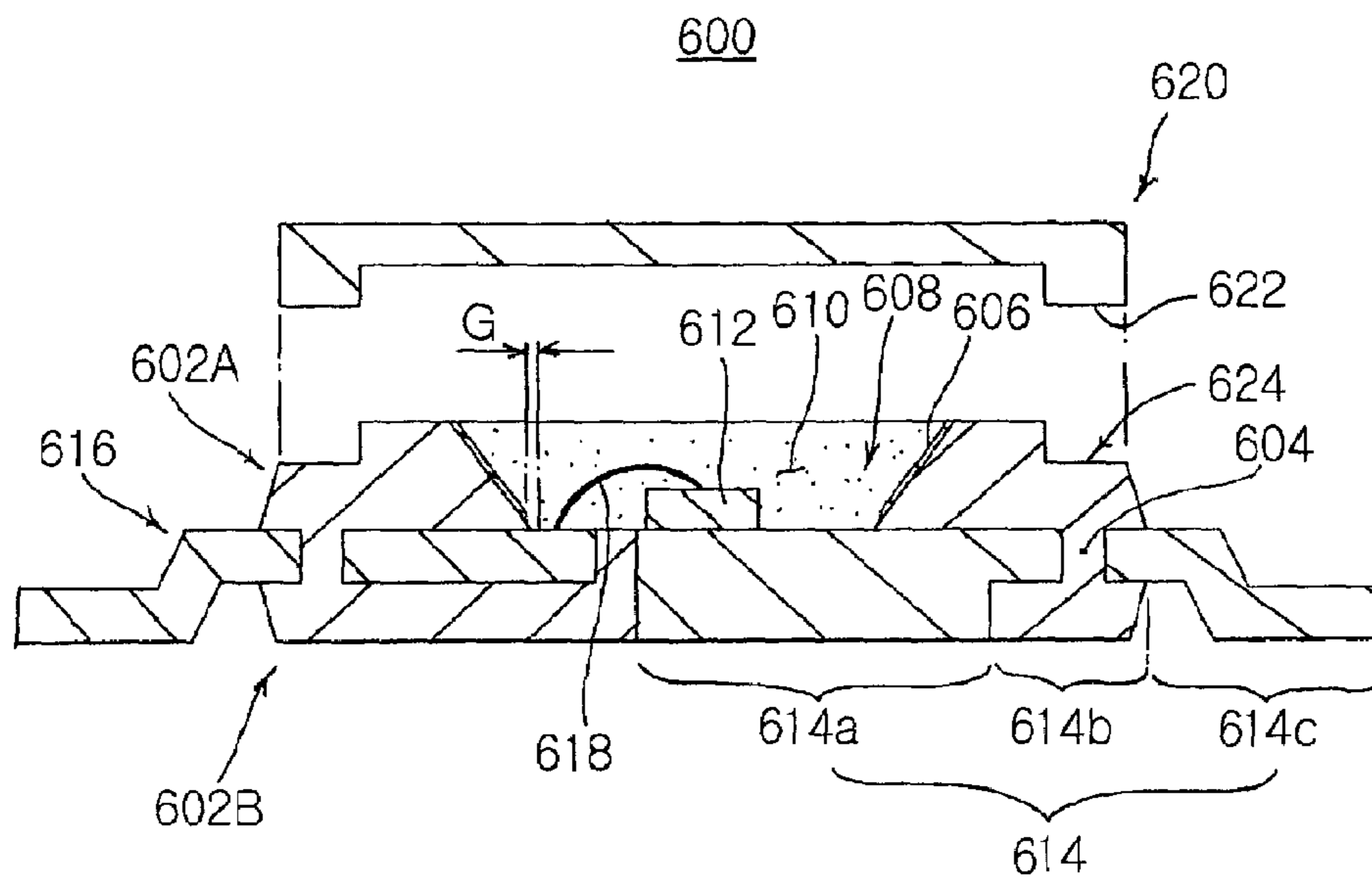


FIG. 19

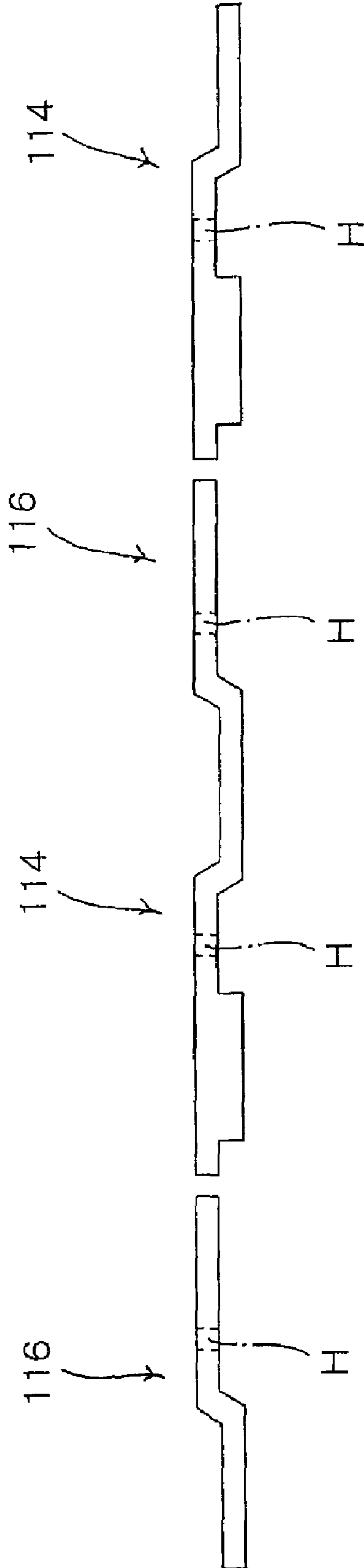


FIG. 20

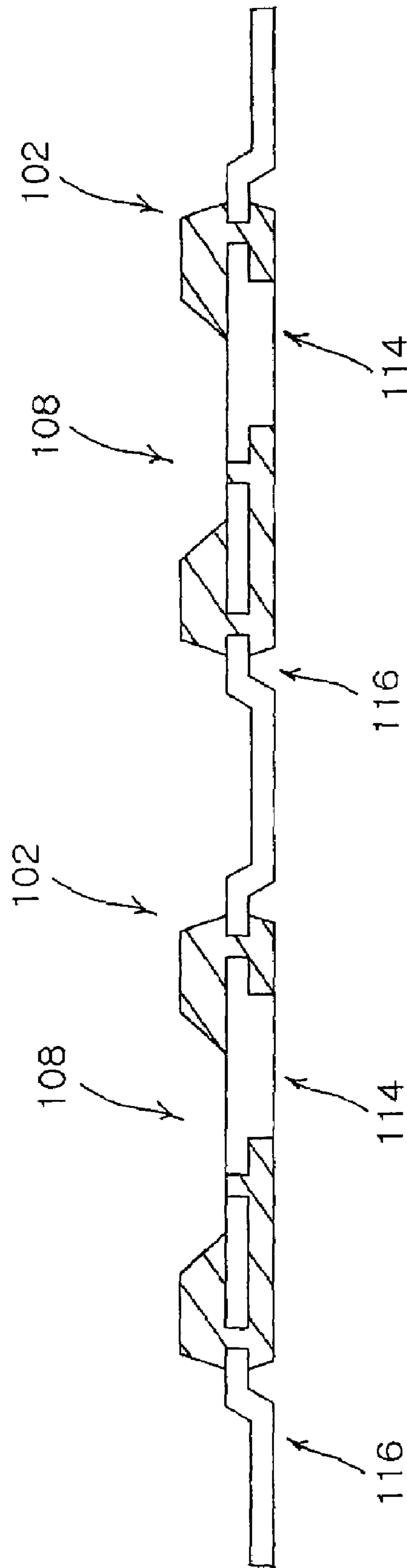


FIG. 21

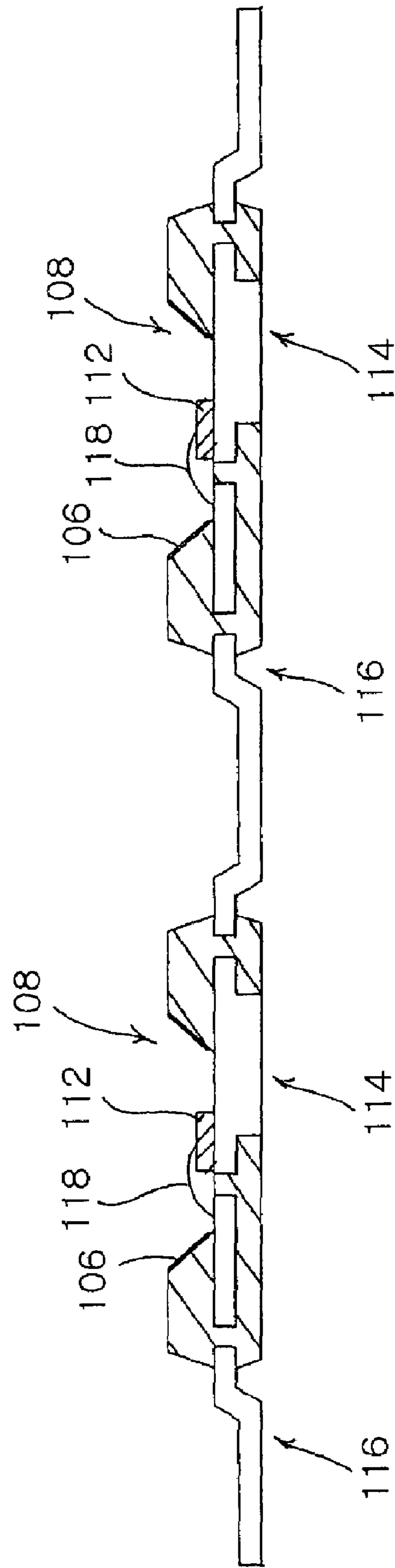


FIG. 22

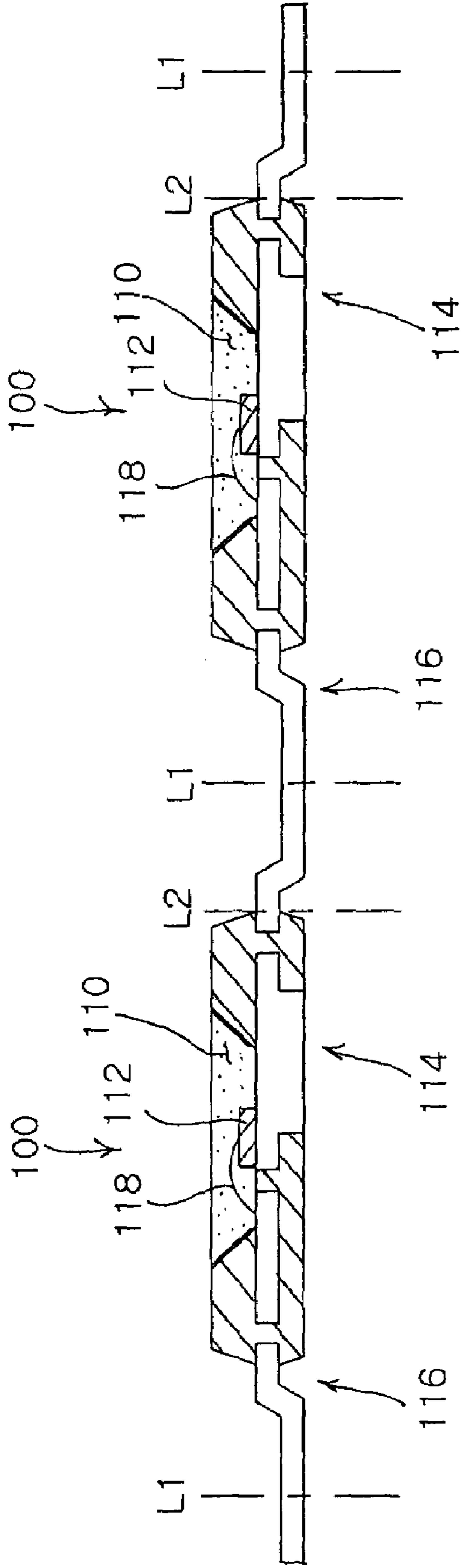


FIG. 23

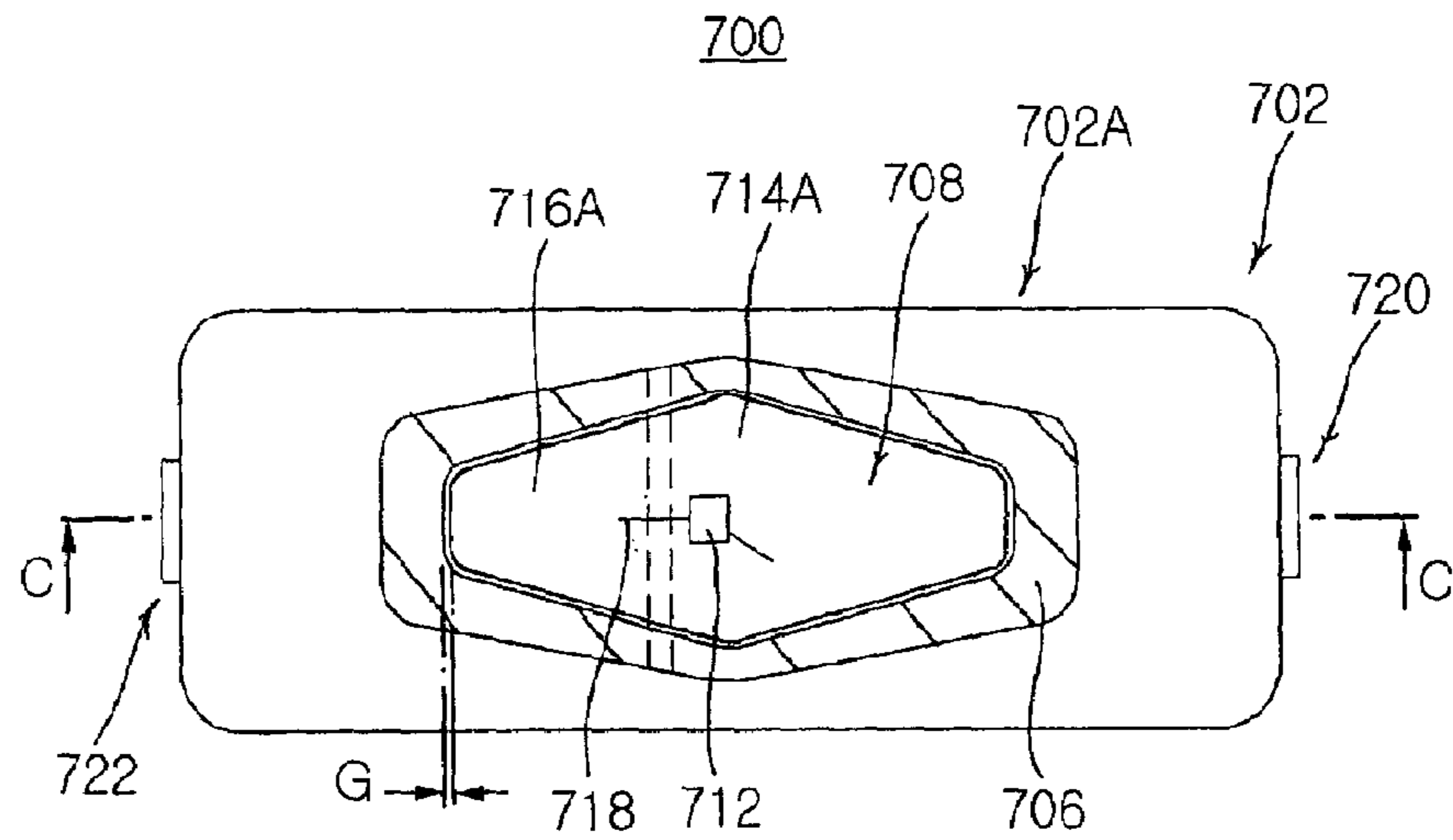


FIG. 24

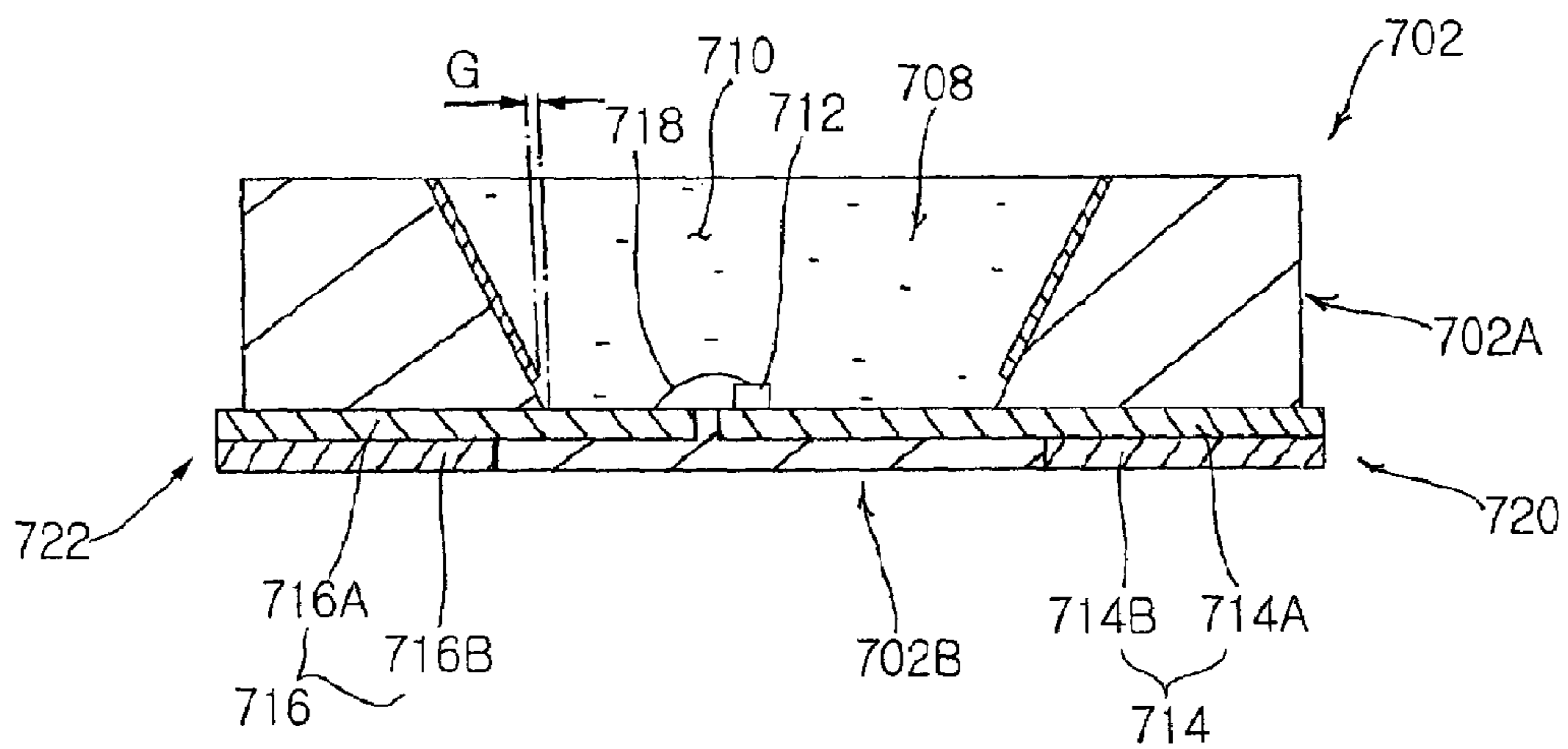


FIG. 25

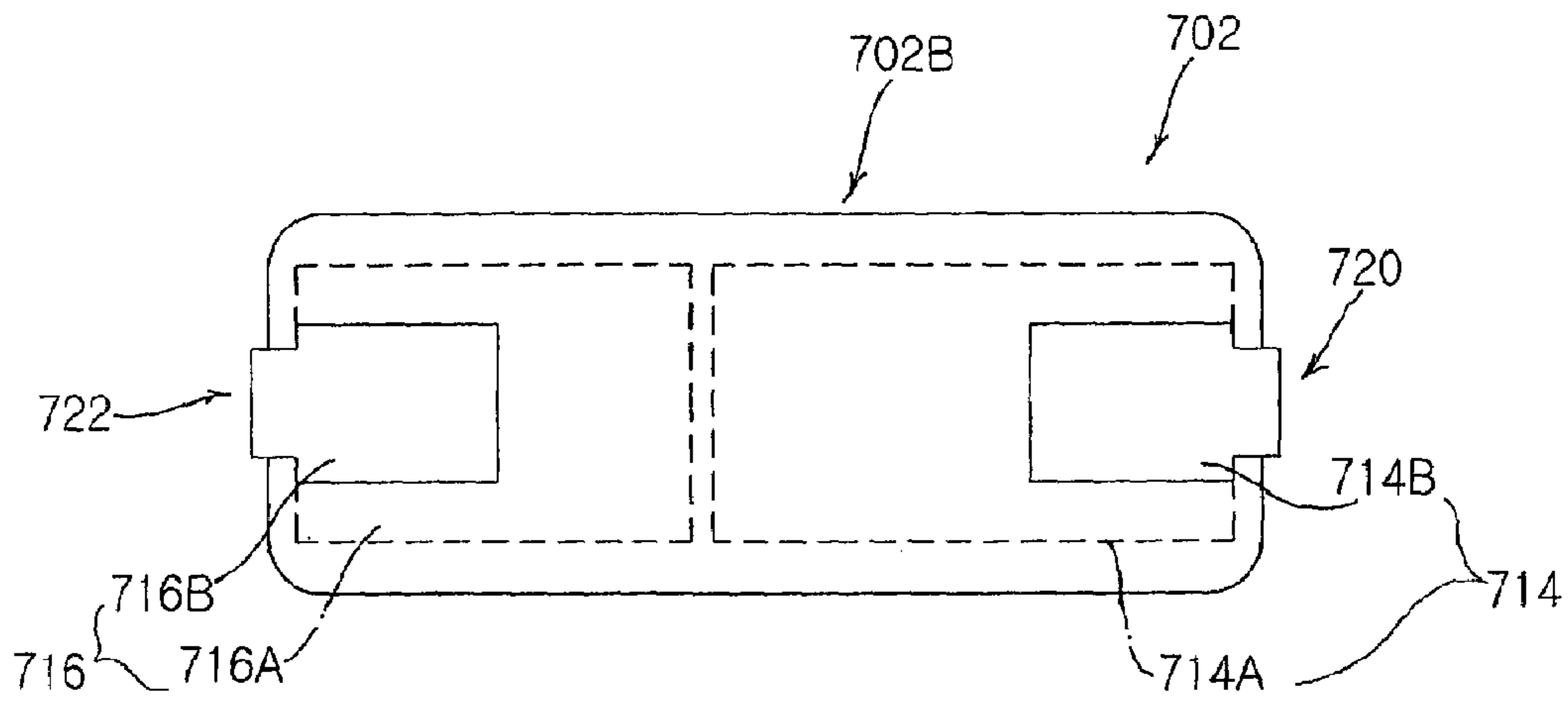


FIG. 26

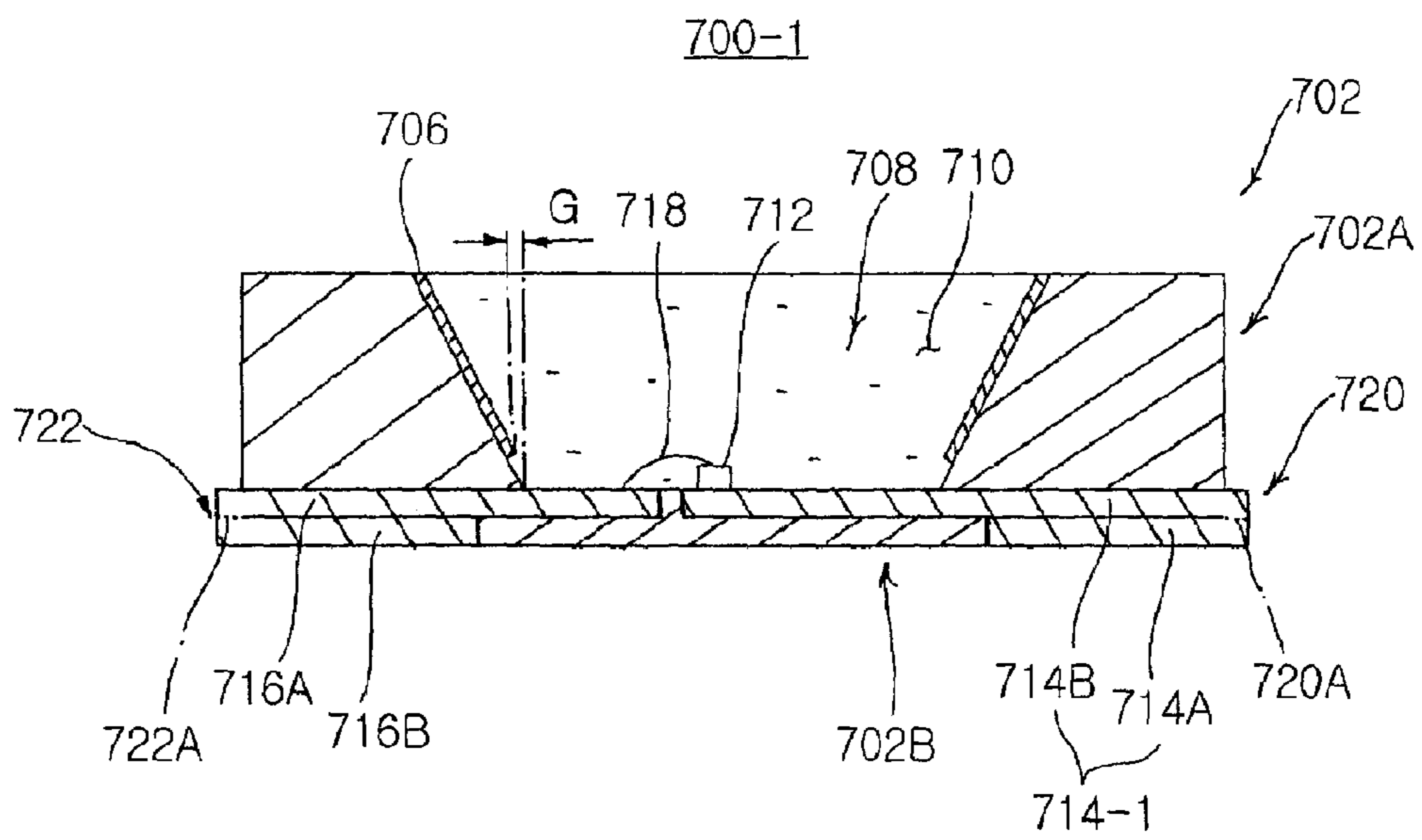


FIG. 27

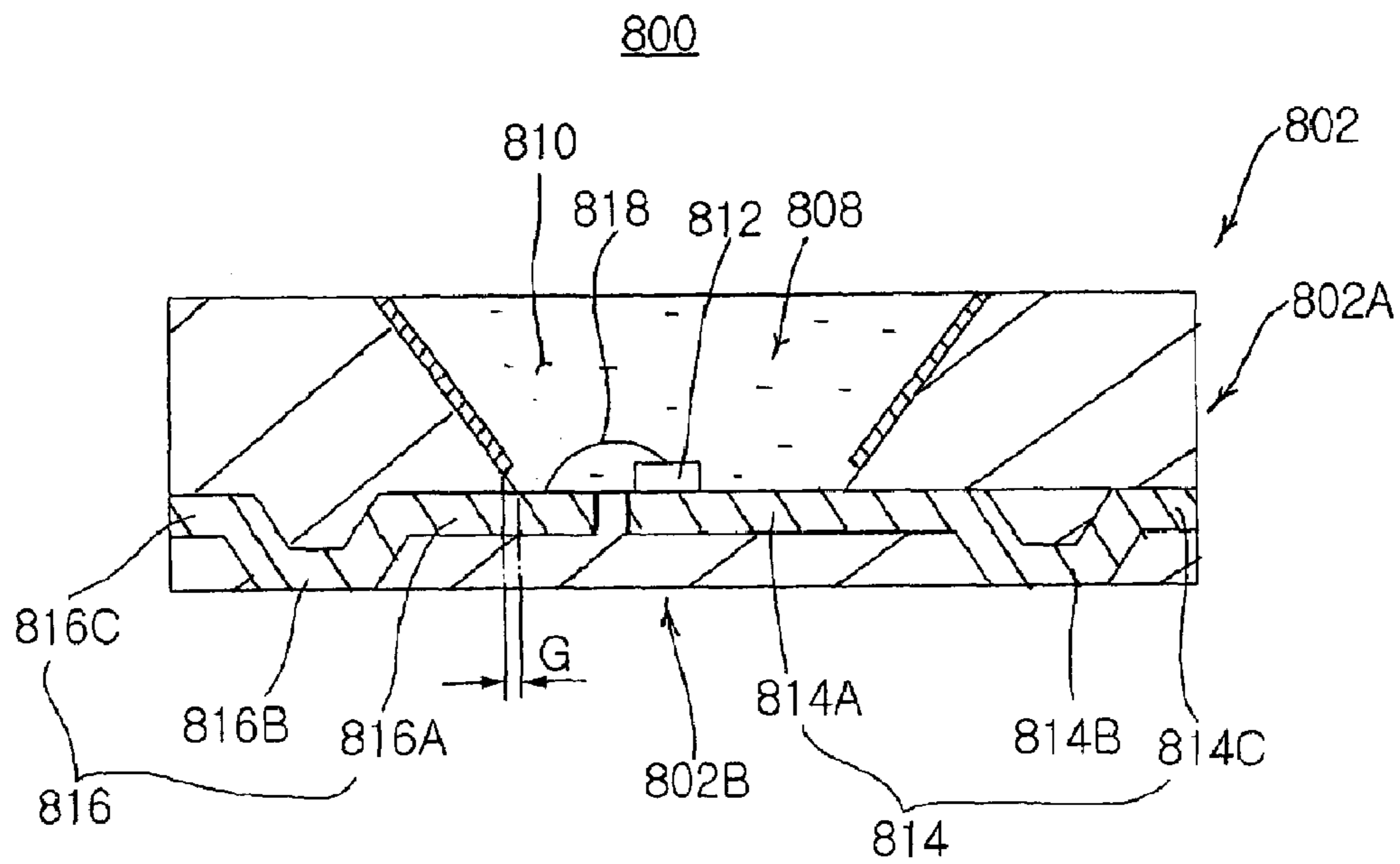


FIG. 28

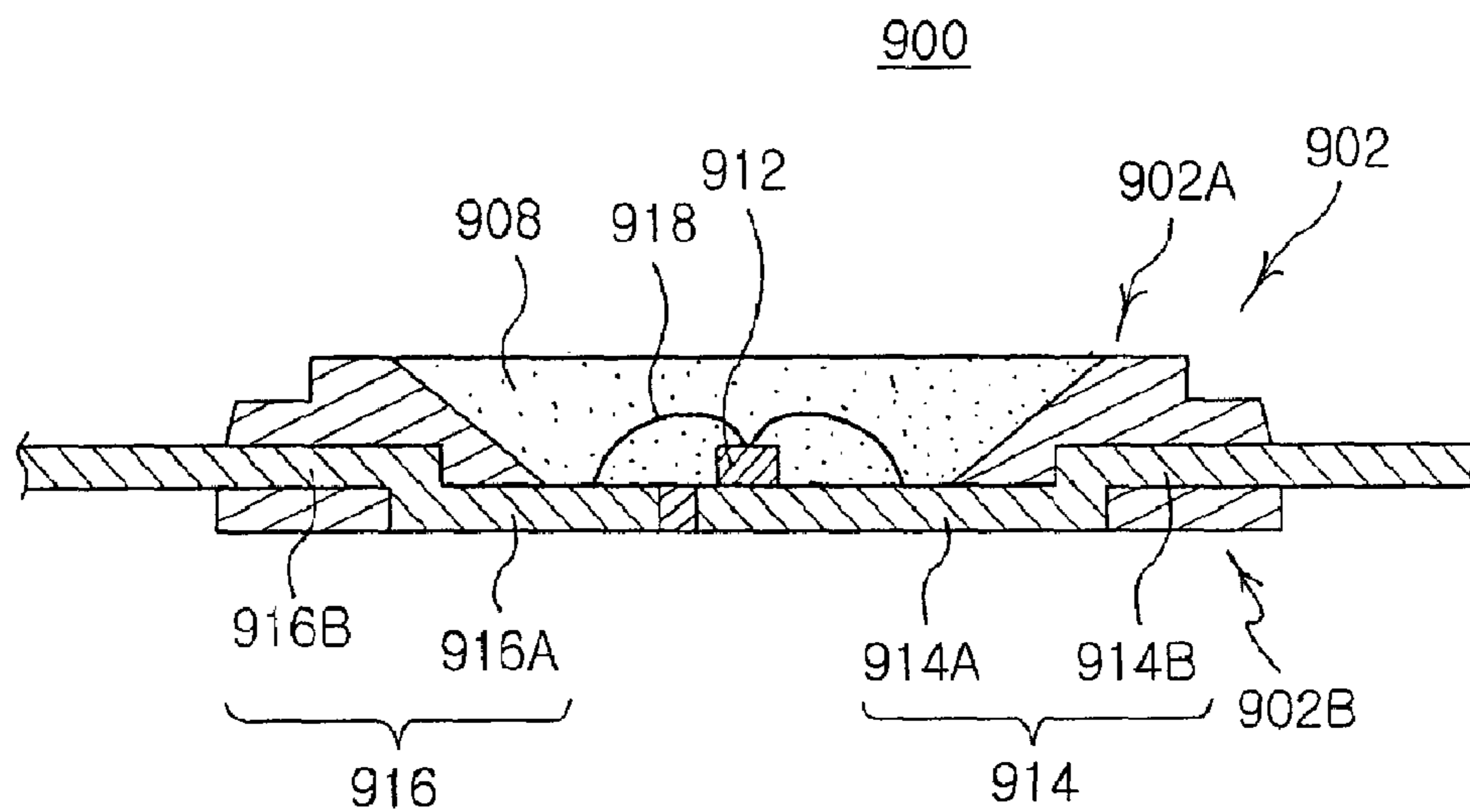


FIG. 29

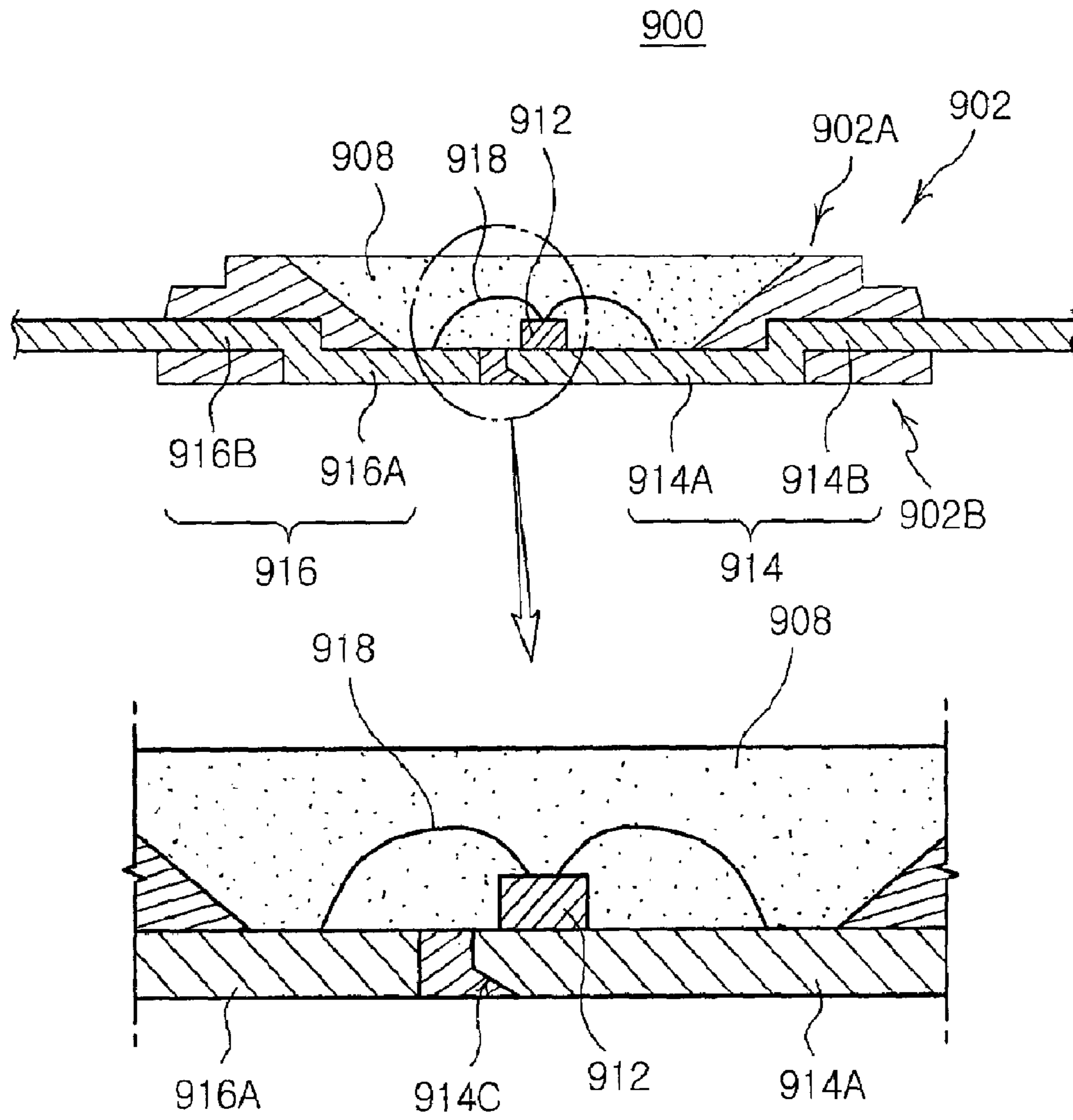


FIG. 30

HIGH POWER LIGHT EMITTING DIODE PACKAGE

Matter enclosed in heavy brackets [] appears in the original patent but forms no part of this reissue specification; matter printed in italics indicates the additions made by reissue; a claim printed with strikethrough indicates that the claim was canceled, disclaimed, or held invalid by a prior post-patent action or proceeding.

Notice: More than one reissue application has been filed for the reissue of U.S. Pat. No. 7,208,772. The reissue applications are the present application, Ser. No. 13/330,239 and Ser. No. 12/029,220. Ser. No. 12/029,220 is a reissue application of U.S. Pat. No. 7,208,772 and has been issued as Reissued Pat. No. Re. 43,200. The present application and Ser. No. 13/330,239 are Continuation Reissue Applications of Ser. No. 12/029,220.

CLAIM OF PRIORITY

This application claims the benefit of Korean Patent Application Nos. 2004-69730 filed on Sep. 1, 2004 and 2005-37421 filed on May 4, 2005, in the Korean Intellectual Property Office, the disclosures of which are incorporated herein by reference.

BACKGROUND OF THE INVENTION

1. Field of the Invention

The present invention relates to a Light Emitting Diode (LED) package, and more particularly, a high power LED package designed to raise thermal radiation efficiency with a simplified structure in order to reduce the size and thickness thereof.

2. Description of the Related Art

LEDs are one type of semiconductors, and generate various colors of light when applied with voltage. When each LED generates light, its color is generally determined by chemical ingredients of the LED. Demand for the LEDs is continuously growing since the LEDs have various merits such as long lifetime, low drive voltage, excellent initial drive properties, high vibration resistance and high tolerance with respect to repeated power switching compared to lighting devices using filaments.

However, the LEDs also fail to convert electricity into light for 100%, thereby creating a considerable amount of heat. As a consequence, the LEDs adopt metal lead frames to radiate heat to the outside because internal components of the LEDs become stressed owing to their thermal expansion coefficient difference if heat is not properly dissipated.

In particular, some LEDs such as high power LEDs are recently adopted in illumination systems and backlight units for large-sized Liquid Crystal Displays (LCDs). Such high power LEDs are required to have superior thermal radiation performance because these systems or units require larger power.

FIG. 1 is a perspective sectional view of a conventional high power LED package. Referring to FIG. 1, the LED package 1 includes an LED chip 2 made of for example InGaN semiconductor, a metal slug 3 for seating the LED chip 2 thereon while functioning as heat guide means, a housing 4 for containing the metal slug 3, a silicone encapsulant 5 for sealing the LED chip 2 and the top of the metal slug 3, a plastic lens 6 for covering the silicon encapsulant 5,

and a pair of wires 7 (only one is shown) for supplying voltage to the LED chip 2. In the meantime, the wires 7 are electrically connected with terminals 8. The LED chip 2 is connected to a submount by means of solders, and the submount seats the LED chip 2 on the metal slug 3.

Referring to FIG. 2, the LED package 1 of FIG. 1 is mounted on a board 10 of a heat sink, and a thermal conductive pad 9 such as solder is interposed between the metal slug 3 of the LED package 1 and the board 10 to facilitate the heat conduction between them.

The LED package 1 and its mounting structure on the board 10 as shown in FIGS. 1 and 2 are focused on thermal radiation to efficiently radiate heat to the outside. That is, the LED package 1 is so designed that the metal slug 3 as a heat sink is mounted directly or via the thermal conductive pad 9 on the board 10 in order to absorb heat generated from the LED chip 2 and radiate heat to the outside. Then, a major quantity of heat from the LED chip 2 flows through the metal slug 3 to the board 10 and only a minor quantity of heat is radiated to the air through the surface of the LED package 1 including the housing 4 and the lens 6.

Thanks to these reasons, LED packages of the above structure are widely adopted in the LED field.

However, the above conventional thermal radiation structure of the LED package has a bulky size thereby to obstruct the miniaturization of an illumination system. This structure is also complicated obstructing the automation of LED package production as well as requiring a large number of components to be assembled together thereby to burden manufacture cost.

SUMMARY OF THE INVENTION

The present invention has been made to solve the foregoing problems of the prior art and it is therefore an object of the present invention to provide a high power Light Emitting Diode (LED) package in which radiating means conducting heat generated from LED chip to a metal plate of a board is made into a sheet metal member, thereby raising thermal radiation efficiency while reducing the size and thickness thereof. It is another object of the invention to provide a high power LED package which secures effective radiating means and in which a package body thereof is injection-molded with resin, thereby simplifying a construction thereof and facilitating its manufacture as well.

It is still another object of the invention to provide a high power LED package in which a sheet metal member serving as both radiating means and a terminal is fixedly surrounded with a resinous package body, thereby obtaining a thinner and solid construction thereof.

According to an aspect of the invention for realizing the object, there is provided a high power Light Emitting Diode (LED) package mounted on a board, which includes a metal plate of a heat sink, an insulating layer on the metal plate and a conductive pattern printed with plural pattern lines on the insulating layer, the high power LED package comprising: an LED chip; a package body integrally formed with resin to have a recess for receiving the LED chip; a first sheet metal member electrically connected with the LED chip while supporting the LED chip at its upper partial portion in the recess, the first sheet metal member surrounded by the package body and extending to the side face of the package body, the first sheet metal member having a heat transfer section for transferring heat generated from the LED chip to the metal plate of the board and extending downward from the inside of the package body so that a lower end thereof is exposed at a bottom face of the package body thus to contact the board; a

3

second sheet metal member electrically connected with the LED chip spaced apart from the first sheet metal member for a predetermined gap, the second sheet metal member extending through the inside of the package body to the side face of the package body in a direction opposite to the first sheet metal member; and a transparent sealant sealingly filled up into the recess.

Preferably, the heat transfer section of the first sheet metal member is protruded downward from the bottom face of the package body.

Preferably, the first and second sheet metal members each have at least one hole, and the package body has a plurality of connecting posts that are integrally formed and connected with the upper and lower portions of the package body through the holes.

Preferably, the first sheet metal member is contacted with one electrode of the LED chip, and further has an external terminal integrally formed therewith to extend over the outside of the package body thereby contacting one pattern line of the board, and wherein the second sheet metal member is connected at one end of the recess-side with the other electrode of the LED chip and extended at the other end of the recess-side out of the package body, thereby contacting the other pattern line of the board.

Preferably, the second sheet metal member is divided into a pair of first and second terminals insulated from each other, in which the first terminal is connected at one end with one electrode of the LED chip and extended at the other end out of the package body, thereby contacting one pattern line of the board, and wherein the second terminal is connected at one end with the other electrode of the LED chip and extended at the other end over the outside of the package body, thereby being contacting the other pattern line of the board.

Preferably, the heat transfer section of the first sheet metal member has a T-shaped cross section and extends downwardly.

Alternatively, the heat transfer section of the first sheet metal member is formed such that its lower end facing the second sheet metal member is cut at a slant away from the second sheet metal member and the cut portion of the heat transfer section is covered with the package body.

According to another aspect of the invention for realizing the object, there is provided a high power Light Emitting Diode (LED) package mounted on a board, which includes a metal plate of a heat sink, an insulating layer on the metal plate and a conductive pattern printed with plural pattern lines on the insulating layer, the high power LED package comprising: an LED chip; a package body integrally formed with resin to have a recess for receiving the LED chip; a half T-shaped first sheet metal member electrically connected with the LED chip while supporting the LED chip at its upper partial portion in the recess, the first sheet metal member surrounded by the package body and extending to the side face of the package body, wherein the first sheet metal member has an upper section electrically connected at one end with the LED chip and a lower section overlapped on the lower portion of the upper section, the bottom surface of the lower section being exposed through the bottom face of the package body to contact the board; a second sheet metal member electrically connected with the LED chip spaced apart from the first sheet metal member for a predetermined gap, the second sheet metal member extending through the inside of the package body to the side face of the package body in a direction opposite to the first sheet metal member; and a transparent sealant sealingly filled up into the recess.

4

Preferably, the upper and lower sections of the first sheet metal member are bonded together with conductive epoxy with high thermal and electric conductivities.

Preferably, wherein the first sheet metal member is folded up at the other end that is exposed through the package body side so that the upper and lower sections thereof are overlapped vertically on each other.

Preferably, the other ends of the first and second sheet metal members are protruded from a sidewall of the package body.

Preferably, the second sheet metal member has a structure symmetrical to that of the first sheet metal member.

Preferably, the first and second sheet metal members are protruded at their lower ends downwardly from the bottom face of the package body.

According to still another aspect of the invention for realizing the object, there is provided a high power Light Emitting Diode (LED) package mounted on a board, which includes a metal plate of a heat sink, an insulating layer on the metal plate and a conductive pattern printed with plural pattern lines on the insulating layer, the high power LED package comprising: an LED chip; a package body integrally formed with resin to have a recess for receiving the LED chip; a first sheet metal member electrically connected with the LED chip while supporting the LED chip at its upper partial portion in the recess, the first sheet metal member surrounded by the package body and extending to the side face of the package body, with a partial bottom surface of the first sheet metal member bent downward to be exposed through the bottom face of the package body and to contact the conductive pattern of the board; a second sheet metal member electrically connected with the LED chip spaced apart from the first sheet metal member for a predetermined gap, the second sheet metal member extending through the inside of the package body to the side face of the package body in a direction opposite to the first sheet metal member; and a transparent sealant sealingly filled up into the recess.

Preferably, the bent shape of the first sheet metal member is formed by etching or press working of a source sheet metal.

Preferably, a lower portion of the first sheet metal member is exposed at a middle portion in length through the bottom face of the package body. At this time, the exposed lower portion of the first sheet metal member is extended out of the bottom face of the package body.

Preferably, the other end of the first sheet metal member is protruded out of a sidewall of the package body.

Meanwhile, preferably, the bottom surface of the first sheet metal member adjacent to one side thereof is cut at a slant away from the second sheet metal member, and the cut portion of the heat transfer section is covered with the package body.

In addition, preferably, the second sheet metal member has a structure symmetrical to that of the first sheet metal member.

The LED packages above may further comprise a high reflectivity reflective layer coated on the inner surface of the recess.

Preferably, any one of the LED packages above may further comprise a lens assembled onto the upper surface of the package body, and wherein the package body has a step at its upper edge so as to be engaged with the lower portion of the lens.

BRIEF DESCRIPTION OF THE DRAWINGS

FIG. 1 is a sectional perspective view illustrating a conventional high power LED package;

5

FIG. 2 is a sectional view illustrating the high power LED package of FIG. 1 mounted on a board;

FIG. 3 is a plan view illustrating a high power LED package according to a first embodiment of the invention;

FIG. 4 is a sectional view taken along a line A-A of FIG. 3;

FIG. 5 is a plan view illustrating the high power LED package of FIG. 3 with the upper portion of the package body removed;

FIG. 6 is a bottom view of FIG. 3;

FIG. 7 is a sectional view illustrating the high power LED package according to the first embodiment of the present invention with a lens attached thereto;

FIG. 8 is a sectional view illustrating another form of the high power LED package as shown in FIG. 4;

FIG. 9 is a sectional view corresponding to FIG. 4, illustrating a high power LED package according to a second embodiment of the present invention;

FIG. 10 is a sectional view illustrating a state in which the LED package of FIG. 9 is mounted on a board;

FIG. 11 is a sectional view illustrating a modification to the high power LED package of FIG. 9;

FIG. 12 is a plan view illustrating a high power LED package according to a third embodiment of the present invention;

FIG. 13 is a sectional view taken along a line A-B of FIG. 12.

FIG. 14 is a plan view illustrating the high power LED package of FIG. 12 with the upper portion of the package body removed;

FIG. 15 is a sectional view illustrating a high power LED package according to a fourth embodiment of the present invention;

FIG. 16 is a sectional view illustrating a high power LED package according to a fifth embodiment of the present invention;

FIG. 17 is a sectional view illustrating a modification to the high power LED package of FIG. 16.

FIG. 18 is a sectional view illustrating another modification to the high power LED package of FIG. 16.

FIG. 19 is a sectional view illustrating a high power LED package according to a sixth embodiment of the present invention;

FIGS. 20 through 23 are stepwise sectional views illustrating a manufacturing process of a high power LED package according to the present invention;

FIG. 24 is a plan view illustrating a high power LED package according to a seventh embodiment of the present invention;

FIG. 25 is a sectional view taken along a line C-C of the LED package of FIG. 24;

FIG. 26 is a bottom view of the LED package of FIG. 24;

FIG. 27 is a sectional view illustrating a modification to the high power LED package according to the seventh embodiment of the present invention;

FIG. 28 is a sectional view illustrating a high power LED package according to an eighth embodiment of the present invention;

FIG. 29 is a sectional view illustrating a high power LED package according to a ninth embodiment of the present invention; and

FIG. 30 is a sectional view illustrating a modification to the high power LED package of FIG. 29.

DETAILED DESCRIPTION OF THE PREFERRED EMBODIMENT

Hereinafter the above and other objects, features and other advantages of the present invention will be more clearly

6

understood from the following detailed description taken in conjunction with the accompanying drawings.

First, a high power Light Emitted Diode (LED) package according to a first embodiment of the present invention will now be described with reference to FIGS. 3 through 6. FIG. 3 is a plan view illustrating a high power LED package according to a first embodiment of the invention, FIG. 4 is a sectional view taken along a line A-A of FIG. 3, FIG. 5 is a plan view illustrating the high power LED package of FIG. 3 with the upper portion of the package body removed, and FIG. 6 is a bottom view of FIG. 3.

As shown in FIGS. 3 through 6, the high power LED package 100 of the present invention is used as mounted on a board (see FIG. 10) having a metal plate of a heat sink, an insulating layer on the metal plate and a conductive pattern printed with plural pattern lines on the insulating layer. The high power LED package includes an LED chip 112 for emitting light when applied with electric current, a package body 102 integrally formed with resin and having a recess 108 to receive the LED chip 112, a first sheet metal member 114 positioned in the package body 102, functioning as a terminal and radiating means while supporting the LED chip 112, a second sheet metal member 116 functioning as a terminal, and a sealant 110 for sealingly filling up the recess 108.

First, the package body 102 is formed by injection molding of resin, such that the upper surface of the upper portion 102A thereof is sunk toward its center portion, forming the recess 108. Herein, the inner wall of the recess 108 is preferably formed to have a certain slant. A lower portion 102B of the package body receives the first and second sheet metal members 114 and 116 together with the upper portion 102A of the package body.

Herein, as shown in FIGS. 4 and 5, the upper and lower portions 102A and 102B of the package body are connected with each other at their both longitudinal edges as well as by a plurality of posts 104 extending vertically through holes formed to the first and second sheet metal members 114 and 116. Thus, the posts serve to strengthen a connection between the upper and lower portions 102A and 102B of the package body. Meanwhile, although illustrated as a circular shape, the sectional end shape of the post may become oval or rectangular. In this case, because a cross-sectional area thereof becomes larger at the same width position relative to the circular shape, the connection between the upper and lower portions 102A and 102B of the package body may be further strengthened.

A first section 114a of the first sheet metal member 114 supports at its upper portion the LED chip 112 in the recess 108, and extends downwardly through the inside of the package body 102 thus to be exposed at its lower portion through the bottom surface of the lower portion 102B of the package body 102 to the outside thereof. As a result, heat generated at the LED chip 112 can be transferred smoothly through the first section 114a of the first sheet metal member 114 to the metal plate of the board. That is, it can be understood that in the present invention, the first section 114a of the first sheet metal member 114 may function as radiating means. Herein, since the first section 114a of the first sheet metal member 114 as radiating means, is a part of the sheet metal member, a thickness thereof is seriously reduced relative to the metal slug 3 (see FIGS. 1 and 2) of the prior art. It can be accordingly seen that a heat transfer path from the LED chip 112 to the metal plate below the first section 114a is greatly reduced, thereby increasing thermal radiation efficiency considerably.

A second section 114b of the first sheet metal member 114 is a portion integrally extended from the first section 114a toward the side of the package body 102, whose thickness is

reduced relative to the first section 114a such that its upper surface extends on the same plane as the upper portion of the first section 114a, and its bottom face is stepped upwards from the lower portion of the first section 114a. Thus, differently from the first section 114a, the second section 114b extends laterally toward the side of the package body 102 without being exposed at its bottom face to the outside, thereby being connected with a third section 114a outside of the package body 102. The third section 114c extends integrally with and in the same thickness as the second section 114b, and has at its middle portion a bent portion twice-bent so as to facilitate the connection with one pattern line of the conductive pattern of the board. The third section 114c functions as an external terminal in the first sheet metal member 114.

The second sheet metal member 116 extends in an opposite direction and spaced apart for a predetermined gap from the first sheet metal member 114. The second sheet metal member 116 extends laterally with a certain thickness from the inside of the package body 102 toward outside of the package body 102, and a portion thereof outside the package body has a bent portion twice-bent so as to facilitate the connection with the other pattern line of the conductive pattern of the board. A cross-sectional shape of these sheet metal members 114 and 116 may be formed by, for example, cutting and punching a source sheet metal plate, and selectively reducing thickness through etching and the like.

Herein, the first and second sheet metal members 114 and 116 are connected with the electrodes, respectively, of the LED chip 112 by means of a pair of wires 118. As a result, the LED chip 112 can be supplied with electric power from a power supply through the wires 118, the first and second sheet metal members 114 and 116, and the conductive pattern of the board.

A reflective layer 106 composed of a high reflectivity film is formed at an inner wall of the recess 108 in order to effectively guide light emitted from the LED chip 112 upwards. The reflective layer 106 may be formed by coating Ag, Pt, Al or alloy thereof onto the inner wall of the recess 108 with for example, an electroless plating or a deposition and the like. Alternatively, the recess 108 is precisely machined at its inner wall so that a certain amount of reflectivity may be achieved although it is not perfect. Furthermore, a glass layer may be formed on the inner wall of the recess 108 so as to intensify a function of reflecting mirror using a density difference from resin of the package body below the glass layer.

FIG. 7 is a sectional view illustrating the high power LED package 100 according to the first embodiment of the present invention with a lens attached thereto. In FIG. 7, the lens 120 is attached to the upper surface of the package body 102 to protect a sealant 110 and the LED chip 112 contained therein. Herein, the lens 120 is generally transferred and formed onto the package body 102, or otherwise fabricated separately and then bonded to the package body 102 with proper means such as an adhesive and the like.

Structured like this, the first and second sheet metal members 114 and 116 with a simple construction serve as radiating means and terminals, and the integrated package body 102 injection-molded with resin bonds these members strongly, thereby greatly improving thermal radiation efficiency as well as securing excellent robustness while reducing their dimension significantly.

FIG. 8 is a sectional view illustrating another form of the high power LED package as shown in FIG. 4.

In the LED package 100 in FIG. 8, the first sheet metal member 114 adjacent to the second sheet metal member 116

has at a part thereof a step 114d, thus to form a T-shaped overall cross section. This step 114d has the following function.

The LED chip 112 may be mal-functioned by moisture, foreign substances and so forth, thus it is important to protect the LED chip from such condition. In addition, because of high temperature accompanied by an operation thereof, repetitive ON/OFF operations or a long time ON operation cause heterogeneous substances such as the metallic sheet metal member and the plastic package body to gradually separate from each other at an interface thereby forming a passageway for the moisture or foreign substances and the like. Thus, in order to improve reliability of products, it is needed to prevent such problem. Preferable one method to do this is to lengthen a way from the outside of the package to the LED chip 112.

In addition, such T shape of the first sheet metal member 114 functions very well to fix the package body 102, like a reinforced concrete structure. That is, it makes the connection between the sheet metal member and the package body 102 more facilitated and strengthened. Accordingly, the finished LED package 100 can endure well against shocks and external force applied thereto.

FIG. 9 is a sectional view corresponding to FIG. 4, illustrating a high power LED package according to a second embodiment of the present invention, and FIG. 10 is a sectional view illustrating a state in which the LED package of FIG. 9 is mounted on the board.

Referring first to FIG. 9, the high power LED package 200 of the present embodiment has a construction identical to that of the LED package 100 of the first embodiment, except that a first section 214a of a first sheet metal member 214 is protruded outside from the bottom surface of a package body 202 for a predetermined length. Thus, constitutional elements the same as or similar to those of the LED package 100 are designated with corresponding reference numerals, increased by 100, and detailed description thereof will be omitted.

When the first section 214a of the first sheet metal member of radiating means are protruded from the bottom surface of the package body 202 as such, it is advantageous when mounting the LED package 200 on the board 10 as illustrated in FIG. 10. In detail, the board 10 on which the LED package 200 is mounted includes a metal plate 12 of a heat sink, an insulating layer 14 on the metal plate 12, and a conductive pattern with plural lines 18 printed on the insulating layer 14. When mounting the LED package 200 on the board 10, the third section 214c of the first sheet metal member and a distal end or an outer end of the second sheet metal member functioning as a lead are bonded to the corresponding line 18 of the board 10 by soldering and so forth. As a result, there is an effect in that solder is interposed between the whole LED package 200 and the board 10, so that a distance between the first section of the first sheet metal member and the corresponding portion of the board may be increased. However, since the first section 214a of the first sheet metal member of this embodiment is protruded outside from the bottom surface of the package body 202 for a predetermined length, it is not required to increase the thickness of the solder that is attached between the first section and the corresponding portion of the board. Therefore, it may be possible to maintain a thin thickness in the solder, thereby securing excellent heat transfer effect continuously. Furthermore, depending on the protruded length, a contact between the first section of the first sheet metal member and the corresponding portion of the board can be maintained without forming the solder and the like therebetween, thereby intensifying the effect.

FIG. 11 is a sectional view illustrating a modification to the high power LED package of FIG. 9.

In the LED package 200 in FIG. 11, a part of the first sheet metal member 214 adjacent to the second sheet metal member 216 is formed with a step 214d, so that the first sheet metal member 214 has a T-shaped overall cross-section. Such structure of the LED package 200 is obtained by combining the structure of FIG. 8 with that of FIG. 9. Accordingly, this provides improved heat transfer effect and intensified reliability of the package as well.

FIG. 12 is a plan view illustrating a high power LED package according to a third embodiment of the present invention, FIG. 13 is a sectional view taken along a line B-B of FIG. 10, and FIG. 14 is a plan view illustrating the high power LED package of FIG. 12 with the upper portion of the package body removed.

Referring to FIGS. 12 through 14, the LED package 300 according to the third embodiment is discriminated from the LED package 100 according to the first embodiment, in that a first sheet metal member 314 consists of first and second sections 314a and 314b without protruded beyond the side of a package body 302, and a second sheet metal member 316 consists of first and second terminals 316A and 316B. Thus, constitutional elements the same as or similar to those of the LED package 100 are designated with corresponding reference numerals, increased by 200, and detailed description thereof will be omitted.

According to this embodiment, the first sheet metal member 314 functions as radiating means, the first and second terminals 316A and 316B each serve to electrically connect the LED chip 312 to the power supply through wires 318.

Meanwhile, in the high power LED package 300, the first section 314a of the first sheet metal member may be constructed such that it is protruded outside from the bottom face of the package body 302 as shown in FIGS. 9 and 10.

FIG. 15 is a sectional view illustrating a high power LED package according to a fourth embodiment of the present invention. Referring to FIG. 15, the construction thereof is substantially identical to the construction of FIG. 3, except that an LED chip 412 is bonded onto a submount 430 with a flip chip bonding method, and supported on a first section 414a of a first sheet metal member 414. Thus, constitutional elements the same as or similar to those of the LED package 100 are designated with corresponding reference numerals, increased by 300, and detailed description thereof will be omitted.

The submount 430 comprises a board made of silicon and the like, and thus can properly buffer the LED chip 412 against a shock or distortion of the first sheet metal member 414 and the like. At this time, with the forming of the conductive pattern onto the surface of the submount 430 and the electrical connecting to the first and second sheet metal members 414 and 416 through the wires 418, the LED chip 412 bonded to that pattern with a flip chip bonding method can be electrically connected with the power supply.

Meanwhile, the submount 430 is formed in a size larger than the LED chip 412 seated thereon, and has preferably high thermal conductivity so as to effectively transfer heat generated from the LED chip 412 to the first section 414a of the first sheet metal member below the submount. Specifically, thermal conductivity may be preferably 100 W/m·K or more, more preferably, 200 W/m·K or more. For reference, it is needed that the sheet metal member has thermal conductivity of about 300 W/m·K.

In the meantime, the present embodiment may employ the T-shaped first sheet metal member like in FIG. 8, the protruded first section of the first sheet metal member like in FIG.

9, the protruded T-shaped first sheet metal member like in FIG. 11, and radiating means and the structure of first and second terminals like in FIG. 12.

FIG. 16 is a sectional view illustrating a high power LED package according to a fifth embodiment of the present invention. Referring to FIG. 16, the high power LED package 500 of the present embodiment is different from the LED package 100 of the first embodiment, in that the first sections 514a and 516a as radiating means each are formed at both of the first and second sheet metal members 514 and 516, and the LED chip 512 is connected to these first and second sheet metal members 514 and 516 with the flip chip method. Thus, constitutional elements the same as or similar to those of the LED package 100 are designated with corresponding reference numerals, increased by 400, and detailed description thereof will be omitted.

Structured as such, there is an advantage in that the first sections 514a and 516a as radiating means has an enlarged area thus to transfer heat of the LED chip 512 to the board (not shown) below the construction more effectively.

However, since the both first sections 514a and 516a cannot be electrically connected to the metal plate of the board at the same time, any one of the first sections 514a or 516a should be only thermally connected to the metal plate, but electrically insulated from the same.

Of course, the present embodiment may employ the T-shaped first sheet metal member like in FIG. 8, the protruded first section of the first sheet metal member like in FIG. 9, the protruded T-shaped first sheet metal member like in FIG. 11, and radiating means and the structure of first and second terminals like in FIG. 12.

FIG. 17 is a sectional view illustrating a modification to the high power LED package of FIG. 15. Referring to FIG. 17, the high power LED package 500-1 of this embodiment is different from the construction of FIG. 16, in that the first and second sheet metal members 514 and 516 of FIG. 16 are replaced with the generally T-shaped first and second sheet metal members 514A and 516A. Of course, the first and second sheet metal members 514A and 516A may have an inverted L shape or a half T shape like in FIG. 16.

The first sheet metal member 514A may be formed into a T shape via for example etching, by which the lower portion reduced in diameter is exposed from the bottom face 502B of the package body, to form an I/O terminal directly contacting the conductive lines 18 of the board 10 as shown in FIG. 10. Herein, the lower portions of the T-shaped sheet metal members 514A and 516A may be extended from the bottom face 502B of the package body, thereby facilitating the electrical connection with the conductive lines 18.

Meanwhile, the construction of this embodiment may employ the construction of FIG. 15. That is, the LED chip 512 may be electrically connected with the first and second sheet metal members 514A and 516A through the wires 418.

FIG. 18 is a sectional view illustrating another modification to the high power LED package of FIG. 15.

As shown in FIG. 18, by protruding the first sheet metal member 514A downwardly from the package body 502, it is possible to improve reliability and further increase heat transfer effect. In addition, if necessary, it may be constructed to protrude the second sheet metal member 516A like as such.

FIG. 19 is a sectional view illustrating a high power LED package according to a sixth embodiment of the present invention. Referring to FIG. 19, the LED package 600 of the present embodiment has the construction generally identical to that of the LED package 100 of the first embodiment, except that a step 624 for mounting a lens is formed at the upper portion of the package body 602.

11

By forming such step **624** like this and a flange **622** conforming in shape with the step at the lower portion of the lens **620**, it becomes easy to facilitate coupling since the flange **622** and the step **624** are engaged with each other when mounting the lens **620** to the package body **602**. This is the case where the lens **620** is separately manufactured and assembled to the package body. However, even in the case where the lens **620** is formed with a transfer forming, the lens forming process is easy and the engaging force therebetween is also intensified.

The present embodiment may also employ the T-shaped first sheet metal member like in FIG. **8**, the protruded first section of the first sheet metal member like in FIG. **9**, the protruded T-shaped first sheet metal member like in FIG. **11**, and radiating means and the structure of first and second terminals like in FIG. **12**.

Hereinafter, a manufacturing process of the LED package according to the present invention will be described with reference to the sectional process views of FIGS. **20** through **23**. For convenience's sake, as for the LED package adapted to thus process, that of the first embodiment is used.

First, a step is conducted to dispose a frame where the first and second sheet metal members **114** and **116** are integrally coupled, as shown in FIG. **20**. As can be seen from the drawing, holes **H** are formed vertically through these sheet metal members **114** and **116**.

Then, as shown in FIG. **21**, a step is conducted to form the package body **102** at a position predetermined by the injection molding. Herein, resin forming the package body **102** is poured into the holes **H** and cured to form the posts **104** (see FIGS. **4** and **5**) as described before.

Next, as shown in FIG. **22**, a step is conducted to form the reflective layer **106** onto the inner wall of the recess **108** of the package body **102**, to seat the LED chip **112** on the first section of the first sheet metal member **114**, and to electrically connect the first and second sheet metal members **114** and **116** with the power supply through the wires **118**.

Then, as shown in FIG. **23**, a step is conducted to fill up the recess **108** with the sealant **110** to seal the LED chip **112** and the like therein. Next, a step is conducted to cut the first and second sheet metal members **114** and **116** in frame shape to obtain the LED package **100** like in FIG. **4**.

For reference, in manufacturing the LED package **300** like in FIG. **13**, two one-dot chain lines **L1** and **L2** are cut together.

Hereinafter, an LED package according to a seventh embodiment of the present invention will be described with reference to FIGS. **24** through **26**. FIG. **24** is a plan view illustrating the high power LED package according to the seventh embodiment of the present invention, FIG. **25** is a sectional view taken along a line C-C of the LED package of FIG. **24**, and FIG. **26** is a bottom view of the LED package of FIG. **24**.

The high power LED package **700** of the present embodiment is used mounted on a board (see FIG. **10**) having a metal plate of a heat sink, an insulating layer on the metal plate and a conductive pattern printed with plural pattern lines on the insulating layer.

As shown in FIGS. **24** through **26**, the high power LED package **700** includes an LED chip **712** for emitting light when applied with electric current, a package body **702** integrally formed with resin to have a recess **708** for receiving the LED chip **712**, first and second sheet metal members **714** and **716** positioned in the package body **702**, functioning as a terminal and radiating means while supporting the LED chip **712**, and a sealant **710** for sealingly filling up the recess **708**.

First, the package body **702** is formed by injection molding of resin such that the upper surface of the upper portion **702A**

12

thereof is sunk toward its center portion, forming the recess **708**. Herein, the inner wall of the recess **708** is preferably formed to have a certain slant. A lower portion **702B** of the package body receives the first and second sheet metal members **714** and **716** together with the upper portion **702A** of the package body. Herein, as shown in FIG. **22**, the upper and lower portions **702A** and **702B** of the package body are connected with each other at their both longitudinal edges to stably fix the first and second sheet metal members **714** and **716** therebetween. In addition, although not illustrated, by forming a hole to each of the first sections **714A** and **716A** and connecting the upper and lower portions **702A** and **702B** of the package body together through the holes, it is possible to fix the first and second sheet metal members **714** and **716** more stably.

The first sheet metal member **714** consists of first and second sections **714A** and **714B** overlapped vertically and combined in a half T shape, the first and second sections **714A** and **714B** having a width smaller than the package body **702**. The first and second sections **714A** and **714B** are attached to each other with conductive epoxy and the like having high thermal and electric conductivity, rendering the current and heat transfer therebetween conducted smoothly. The first section **714A** supports at one end the LED chip **712** in the recess **708** while being electrically connected thereto, and extends at the other end over the sidewall of the package body **702**. The second section **714B** is exposed at its bottom surface from the bottom face of the lower portion **702B** of the package body, and extends at one end (positioned at right side in the drawing) over the sidewall of the package body thus to form a protrusion together with the other end of the first section **714A**. Meanwhile, the second section **714B** is formed shorter than the first section **714A** such that generally half portion thereof adjacent to the LED chip **712** on the first section **714A** is completely surrounded and fixed by the package body **702**.

The second sheet metal member **716** has a mirror image shape to the first sheet metal member **714**, and consists of the first and second sections **716A** and **716B**, whose width is formed smaller than the package body **702**. The first and second sections **716A** and **716B** are attached to each other with conductive epoxy and the like having high thermal and electric conductivity, rendering the current and heat transfer therebetween conducted smoothly. The first section **716A** is at one end positioned adjacent to the LED chip **712** in the recess **708** as to be electrically connected thereto, and extends at the other end over the sidewall of the package body **702**. The second section **716B** is exposed at its bottom surface from the bottom face of the lower portion **702B** of the package body, and extends at one end (positioned at left side in the drawing) over the sidewall of the package body thus to form a protrusion together with the other end of the first section **716A**. Meanwhile, the second section **716B** is formed shorter than the first section **716A** such that generally half portion thereof adjacent to the LED chip **712** on the first section **716A** is completely surrounded and fixed by the package body **702**.

As a result, heat generated at the LED chip **712** can be transferred smoothly through the first and second sections **714A** and **714B** of the first sheet metal member **714** to the metal plate of the board. That is, it can be understood that in the present invention, the first sheet metal member **714** may function as radiating means. Herein, since the first section **714A** of the first sheet metal member **714**, radiating means, is a part of the sheet metal member, a thickness thereof is seriously reduced relative to the metal slug **3** (see FIGS. **1** and **2**) of the prior art. It can be accordingly seen that a heat transfer path from the LED chip **712** to the metal plate below the first section is greatly reduced, thereby increasing thermal radia-

13

tion efficiency considerably. In addition, since the second sheet metal member **716** also functions as radiating means as well, thermal radiation efficiency may be further increased.

Furthermore, the first sheet metal member **714** has the half T shape, so that a path of foreign substances, moisture and the like intruded from the lower portion **702B** of the package body into the package body becomes longer to improve reliability of the LED package **700**.

The other elements of this embodiment are substantially identical to those of the LED package **100** of the first embodiment, and thus the detailed description thereof will be omitted.

FIG. **27** is a sectional view illustrating a modification to the high power LED package according to the seventh embodiment of the present invention. An LED package **700-1** of this embodiment has substantially the same construction as the LED package **700** of the seventh embodiment, except that a first sheet metal member **714-1** consists of first and second sections **714A** and **714B** folded up on each other through bending at a bent **720A**, and a second sheet metal member **716-1** consists of first and second sections **716A** and **716B** folded up on each other through bending at a bent **720B**. Thus, the detailed description for the other elements will be omitted.

FIG. **28** is a sectional view illustrating a high power LED package according to an eighth embodiment of the present invention. Referring to FIG. **8**, the high power LED package **800** of the eighth embodiment is substantially identical to the construction of LED package **700** of the seventh embodiment, except for the first and second sheet metal members **814** and **816**.

That is, the first sheet metal member **814** is formed such that the second section **814B** thereof is bent downward to the first and third sections **814A** and **814C** thereof, exposing itself through the bottom face of the lower portion **802B** of the package body, and the third section **814C** is exposed through the sidewall of the package body **802**. Also, the second sheet metal member **816** is formed such that the second section **816B** thereof is bent downwardly to the first and third sections **816A** and **816C** thereof, being exposed through the bottom face of the lower portion **802B** of the package body, and the third section **816C** is exposed through the sidewall of the package body **802**.

Such shape of the sheet metal members **814** and **816** can be obtained by bending a certain portion of the source sheet metal plate, the second sections **814B** and **816B**, by means of a press and the like. In addition, on the contrary, such shape can be formed by selective etching and the like of the source sheet metal plate.

As a result, heat generated at the LED chip **812** can be transferred smoothly through the first and second section **814A** and **814B** of the first sheet metal member **814** to the metal plate of the board. That is, it can be understood that in the present invention, the first sheet metal member **814** may function as radiating means. Herein, since the first section **814A** of the first sheet metal member **814** as radiating means is a part of the sheet metal member, the thickness thereof is seriously reduced relative to the metal slug **3** (see FIGS. **1** and **2**) of the prior art. It can be accordingly seen that a heat transfer path from the LED chip **812** to the metal plate below the first section is greatly reduced, thereby increasing thermal radiation efficiency considerably. In addition, since the second sheet metal member **816** also functions as radiating means as well, thermal radiation efficiency may be further increased.

In addition, when exposing the terminals in downset manner from the first and second sheet metal members **814** and **816**, the bent sheet metal members **814** and **816** operates like

14

reinforced concrete structure, rendering the connection with the package body **802** more effective and intensified. Further, like the T shaped or half T-shaped sheet metal member structure as mentioned before, a path of foreign substances, moisture and the like intruded from the bottom face of the lower portion **802B** of the package body into the body through a gap (that may be formed later) between the sheet metal members **814** and **816** and the package resin becomes longer and complicated to improve reliability of the LED package.

FIG. **29** is a sectional view illustrating a high power LED package according to a ninth embodiment of the present invention. Referring to FIG. **29**, the high power LED package **900** according to the ninth embodiment has the cross-sectional shape similar to the LED package **800** of the eighth embodiment in FIG. **28**, but has the construction of the first and second sheet metal members **914** and **916** deformed from that of the eighth embodiment.

That is, the first sheet metal member **914** includes the first and second sections **914A** and **914B**. The first section **914A** supports at its upper surface the LED chip **912** in the package body **902**, and is exposed at its lower surface outside via the lower portion **902B** of the package body. The second section **914B** is formed stepped upwards and extends to the outside between the lower portion **902B** and the upper portion **902A** of the package body. Meanwhile, the second sheet metal member **916** includes first and second sections **916A** and **916B**. The first section **916A** is spaced apart for a predetermined distance from the first section **914A** of the first sheet metal member **914**, and is exposed at its lower surface to the outside via the lower portion **902B** of the package body. The second section **916B** is formed stepped upwards from the first section **916A** and extends to the outside between the lower portion **902B** and the upper portion **902A** of the package body to form a terminal.

Such a shape of the sheet metal members **914** and **916** can be obtained by bending the sheet metal source plate between the first and second sections **914A** and **914B**; **916A** and **916B** with a press and the like, or selectively etching the same.

Constructed as such, heat generated from the LED chip **912** can be smoothly transferred through the first section **914A** of the first sheet metal member **914** to the metal plate of the board like in FIG. **9**, and a height of the whole package body **902** can be additionally reduced as well.

Furthermore, because of the simplified construction relative to the embodiments as mentioned before, it is possible to enable the manufacturing process to be simplified and automated.

FIG. **30** is a sectional view illustrating a modification to the high power LED package of FIG. **29**.

Referring to FIG. **30**, the lower portion at one end of the first section **914A** of the first sheet metal member **914** forms a slant surface **914C** cut slantly in a direction opposite to the first section **916A** of the second sheet metal member.

Similarly to for example the step **114d** illustrated in FIG. **8**, the slant surface **914C** makes the path of foreign substances and moisture intruded into the LED chip **912** longer and complicated. In addition, the slant surface **914C** is covered with resin of the package body **902**, to improve the connection and air-tight feature between the first sheet metal member **914** and the package body **902**. Further, instead of this slant surface **914C**, the step **114d** as in FIG. **8** may be employed.

Furthermore, it may be also possible to form the slant surface **914C** or the step **114d** in FIG. **8** to the second sheet metal member **916**.

As described before, the high power LED package of the present invention is constructed to form radiating means for transferring heat generated from the LED chip to the metal

15

plate of the board into the sheet metal member, thereby improving thermal radiation efficiency and reducing the size and thickness thereof.

In addition, by securing effective radiating means using the sheet metal member and injection-molding the package body with resin, the high power LED package of the present invention can be easily manufactured into a simple product.

Furthermore, by fixedly wrapping the sheet metal member functioning as radiating means and terminal in the package body of resin, the high power LED package of the present invention can be provided thin and robust.

While the present invention has been shown and described in connection with the preferred embodiments, it will be apparent to those skilled in the art that modifications and variations can be made without departing from the spirit and scope of the invention as defined by the appended claims.

What is claimed is:

1. A high power Light Emitting Diode (LED) package [mounted on a board, which includes a metal plate of a heat sink, an insulating layer on the metal plate and a conductive pattern printed with plural pattern lines on the insulating layer, the high power LED package], comprising:

an LED chip;

a package body integrally formed with resin to have a recess for receiving the LED chip;

a first sheet metal member [electrically connected with the LED chip while] *having an upper partial portion* supporting the LED chip [at its upper partial portion] in the recess, the first sheet metal member *being* surrounded by the package body and extending to [the] a side face of the package body *to be exposed to an outside of the package body*, the first sheet metal member having a [heat transfer] section [for transferring heat generated from the LED chip to the metal plate of the board and] extending downward from [the] an inside of the package body so that a lower end [thereof] *of the section* is exposed at a bottom face of the package body [thus to contact the board], *such that the first sheet metal member is formed as a single body*;

a second sheet metal member electrically connected with the LED chip *and* spaced apart from the first sheet metal member [for] by a predetermined gap, the second sheet metal member extending through the inside of the package body to the side face of the package body [in a direction opposite to the first sheet metal member]; and a transparent sealant sealingly filled [up into] *in* the recess; *wherein*

the second sheet metal member is divided into a pair of first and second terminals insulated from each other, and the first terminal and the second terminal are connected with electrodes of the LED chip, respectively.

2. The high power LED package according to claim 1, wherein the [heat transfer] section of the first sheet metal member is protruded downward from the bottom face of the package body.

3. The high power LED package according to claim 1, wherein the first and second sheet metal members each have at least one hole, and the package body has a plurality of connecting posts that are integrally formed and connected with the upper and lower portions of the package body through the holes.

[4. The high power LED package according to claim 1, wherein the first sheet metal member is contacted with one electrode of the LED chip, and further has an external terminal integrally formed therewith to extend over the outside of the package body thereby contacting one pattern line of the board, and wherein the second sheet metal member is con-

16

nected at one end of the recess-side with the other electrode of the LED chip and extended at the other end of the recess-side out of the package body, thereby contacting the other pattern line of the board.]

5. The high power LED package according to claim 1, wherein [the second sheet metal member is divided into a pair of first and second terminals insulated from each other, in which]

the first terminal is connected at one end with one electrode of the LED chip and extended at the other end out of the package body[, thereby] *for* contacting one pattern line of [the] a board, and [wherein]

the second terminal is connected at one end with the other electrode of the LED chip and extended at the other end over the outside of the package body[, thereby being] *for* contacting [the other] *another* pattern line of the board.

6. The high power LED package according to claim 1, wherein the [heat transfer] section of the first sheet metal member has a T-shaped cross section and extends downwardly.

7. The high power LED package according to claim 1, wherein the [heat transfer] *lower end of the* section of the first sheet metal member [is formed such that its lower end], *on a side* facing the second sheet metal member [is cut at a], *has a cut portion* slant away from the second sheet metal member and the cut portion [of the heat transfer section] is covered with the package body.

[8. The high power LED package according to claim 1, wherein the second sheet metal member has a structure symmetrical to the first sheet metal member.]

[9. The high power LED package according to claim 8, wherein the first and second sheet metal members are connected at their lower portion with pattern lines of the board.]

10. The high power LED package according to claim 1, further comprising a high reflectivity reflective layer coated on the inner surface of the recess.

11. The high power LED package according to claim 1, further comprising a lens assembled onto the upper surface of the package body, and wherein the package body has a step at its upper edge so as to be engaged with the lower portion of the lens.

[12. A high power Light Emitting Diode (LED) package mounted on a board, which includes a metal plate of a heat sink, an insulating layer on the metal plate and a conductive pattern printed with plural pattern lines on the insulating layer, the high power LED package comprising:

an LED chip;

a package body integrally formed with resin to have a recess for receiving the LED chip;

a half T-shaped first sheet metal member electrically connected with the LED chip while supporting the LED chip at its upper partial portion in the recess, the first sheet metal member surrounded by the package body and extending to the side face of the package body, wherein the first sheet metal member has an upper section electrically connected at one end with the LED chip and a lower section overlapped on the lower portion of the upper section, the bottom surface of the lower section being exposed through the bottom face of the package body to contact the board;

a second sheet metal member electrically connected with the LED chip spaced apart from the first sheet metal member for a predetermined gap, the second sheet metal member extending through the inside of the package body to the side face of the package body in a direction opposite to the first sheet metal member; and

a transparent sealant sealingly filled up into the recess.]

[13. The high power LED package according to claim 12, wherein the upper and lower sections of the first sheet metal member are bonded together with conductive epoxy with high thermal and electric conductivities.]

[14. The high power LED package according to claim 12, wherein the first sheet metal member is folded up at the other end that is exposed through the package body side so that the upper and lower sections thereof are overlapped vertically on each other.]

[15. The high power LED package according to claim 12, wherein the other ends of the first and second sheet metal members are protruded from a sidewall of the package body.]

[16. The high power LED package according to claim 12, wherein the second sheet metal member has a structure symmetrical to that of the first sheet metal member.]

[17. The high power LED package according to claim 12, wherein the first and second sheet metal members are protruded at their lower ends downwardly from the bottom face of the package body.]

[18. The high power LED package according to claim 12, further comprising a high reflectivity reflective layer coated on the inner surface of the recess.]

[19. The high power LED package according to claim 12, further comprising a lens assembled onto the upper surface of the package body, and wherein the package body has a step at its upper edge so as to be engaged with the lower portion of the lens.]

[20. A high power Light Emitting Diode (LED) package mounted on a board, which includes a metal plate of a heat sink, an insulating layer on the metal plate and a conductive pattern printed with plural pattern lines on the insulating layer, the high power LED package comprising:

an LED chip;

a package body integrally formed with resin to have a recess for receiving the LED chip;

a first sheet metal member electrically connected with the LED chip while supporting the LED chip at its upper partial portion in the recess, the first sheet metal member surrounded by the package body and extending to the side face of the package body, with a partial bottom surface of the first sheet metal member bent downward to be exposed through the bottom face of the package body and to contact the conductive pattern of the board;

a second sheet metal member electrically connected with the LED chip spaced apart from the first sheet metal member for a predetermined gap, the second sheet metal member extending through the inside of the package body to the side face of the package body in a direction opposite to the first sheet metal member; and

a transparent sealant sealingly filled up into the recess.]

[21. The high power LED package according to claim 20, wherein the bent shape of the first sheet metal member is formed by etching or press working of a source sheet metal.]

[22. The high power LED package according to claim 20, wherein a lower portion of the first sheet metal member is exposed at a middle portion in length through the bottom face of the package body.]

[23. The high power LED package according to claim 22, wherein the exposed lower portion of the first sheet metal member is extended out of the bottom face of the package body.]

[24. The high power LED package according to claim 20, wherein the first sheet metal member is exposed at the lower portion adjacent to one end thereof through the bottom face of the package body to contact the board.]

[25. The high power LED package according to claim 20, wherein the other end of the first sheet metal member is protruded out of a sidewall of the package body.]

[26. The high power LED package according to claim 20, wherein the bottom surface of the first sheet metal member adjacent to one side thereof is cut at a slant away from the second sheet metal member, and the cut portion of the heat transfer section is covered with the package body.]

[27. The high power LED package according to claim 20, wherein the second sheet metal member has a structure symmetrical to that of the first sheet metal member.]

[28. The high power LED package according to claim 20, further comprising a high reflectivity reflective layer coated on the inner surface of the recess.]

[29. The high power LED package according to claim 20, further comprising a lens assembled onto the upper surface of the package body, and wherein the package body has a step at its upper edge so as to be engaged with the lower portion of the lens.]

30. A high power Light Emitting Diode (LED) package, comprising:

an LED chip;

a package body integrally formed with resin to have a recess for receiving the LED chip;

a first sheet metal member electrically connected with the LED chip, the first sheet metal member having an upper partial portion supporting the LED chip in the recess, the first sheet metal member being surrounded by the package body and extending to a side face of the package body to be exposed to an outside of the package body, the first sheet metal member having a section extending downward from an inside of the package body so that a lower end of the section is exposed at a bottom face of the package body, such that the first sheet metal member is formed as a single body;

a second sheet metal member electrically connected with the LED chip and spaced apart from the first sheet metal member by a predetermined gap, the second sheet metal member extending through the inside of the package body to the side face of the package body; and

a transparent sealant sealingly filled in the recess,

wherein the first sheet metal member is a sheet metal extending continuously and integrally without any bonding or attachment, from the lower end exposed through the bottom face of the package body, through the inside of the package body and to the side face of the package body where the first sheet metal member is again exposed to the outside.

UNITED STATES PATENT AND TRADEMARK OFFICE
CERTIFICATE OF CORRECTION

PATENT NO. : RE45,596 E
APPLICATION NO. : 13/294405
DATED : June 30, 2015
INVENTOR(S) : Lee et al.

Page 1 of 1

It is certified that error appears in the above-identified patent and that said Letters Patent is hereby corrected as shown below:

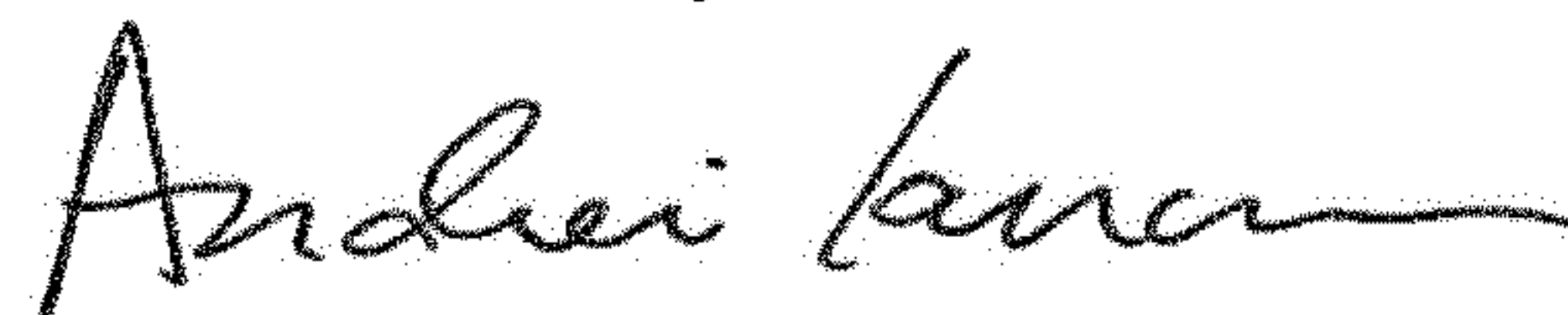
In the Specification

At Column 1, replace Lines 13-24 (approx.), with the following:

--CROSS-REFERENCE TO RELATED APPLICATIONS

NOTICE: More than one reissue application has been filed for the reissue of U.S. Patent No. 7,208,772 B2. The reissue applications are U.S. Reissue Patent Application Serial Nos. 15/977,697, filed on May 11, 2018, and U.S. Reissue Patent Application Serial No. 15/943,965, filed on April 3, 2018, each of which ('697 and '965) is a continuation reissue application of U.S. Reissue Patent Application Serial No. 14/710,262, filed on May 12, 2015, now U.S. Reissue Patent No. RE46,851 E, issued May 15, 2018, which is a continuation reissue application of U.S. Reissue Patent Application Serial No. 13/294,405 (the present application), filed on November 11, 2011, now U.S. Reissue Patent No. RE45,596 E, issued June 30, 2015, which is a continuation reissue application of U.S. Reissue Patent Application Serial No. 12/029,220, filed on February 11, 2008, now U.S. Reissue Patent No. RE43,200 E, issued February 21, 2012, which is a reissue application of U.S. Patent Application Serial No. 11/186,971, filed on July 22, 2005, now U.S. Patent No. 7,208,772 B2, issued April 24, 2007, which claims the benefit of Korean Patent Appli- --

Signed and Sealed this
Twentieth Day of October, 2020



Andrei Iancu
Director of the United States Patent and Trademark Office