



US00RE45586E

(19) **United States**
(12) **Reissued Patent**
Kosanke

(10) **Patent Number:** **US RE45,586 E**
(45) **Date of Reissued Patent:** **Jun. 30, 2015**

(54) **PROTECTIVE HEN APRON**
(71) Applicant: **Tobi Kosanke**, Hempstead, TX (US)
(72) Inventor: **Tobi Kosanke**, Hempstead, TX (US)
(21) Appl. No.: **14/086,437**
(22) Filed: **Nov. 21, 2013**

2,006,118 A	6/1935	Smith	119/853
2,090,871 A	8/1937	Kennedy	119/853
2,293,895 A	8/1942	Fitzloff	
2,310,825 A	2/1943	Abramson	
2,416,726 A	3/1947	Abramson	
2,751,884 A	6/1956	Brown	
2,751,885 A *	6/1956	Brown	119/853
2,889,808 A *	6/1959	Fitzloff	119/853
3,783,834 A *	1/1974	Story	119/856
D271,345 S	11/1983	Banks	
5,218,928 A *	6/1993	Muck et al.	119/714
5,271,211 A *	12/1993	Newman	54/79.2
D404,852 S	1/1999	Powell-Lesnick	
5,934,226 A *	8/1999	Moore et al.	119/868
6,662,755 B2 *	12/2003	Kato	119/856
6,928,960 B2	8/2005	Carlos	
7,080,497 B2 *	7/2006	Chang	54/79.2

Related U.S. Patent Documents

Reissue of:

(64) Patent No.: **8,413,614**
Issued: **Apr. 9, 2013**
Appl. No.: **12/954,242**
Filed: **Nov. 24, 2010**

U.S. Applications:

(63) Continuation-in-part of application No. 12/356,203, filed on Jan. 20, 2009, now Pat. No. 7,882,808.

(51) **Int. Cl.**
A01K 13/00 (2006.01)
A01K 21/00 (2006.01)
A01K 45/00 (2006.01)

(52) **U.S. Cl.**
CPC *A01K 13/006* (2013.01); *A01K 21/00* (2013.01); *A01K 45/00* (2013.01)

(58) **Field of Classification Search**
CPC A01K 13/006; A01K 21/00; A01K 45/00
USPC 119/850, 851, 852, 853, 854, 855, 713, 119/714, 715
See application file for complete search history.

(56) **References Cited**

U.S. PATENT DOCUMENTS

1,632,873 A *	6/1927	Bliss	2/48
1,949,004 A	2/1934	Boardman	
1,987,818 A	1/1935	Cook	

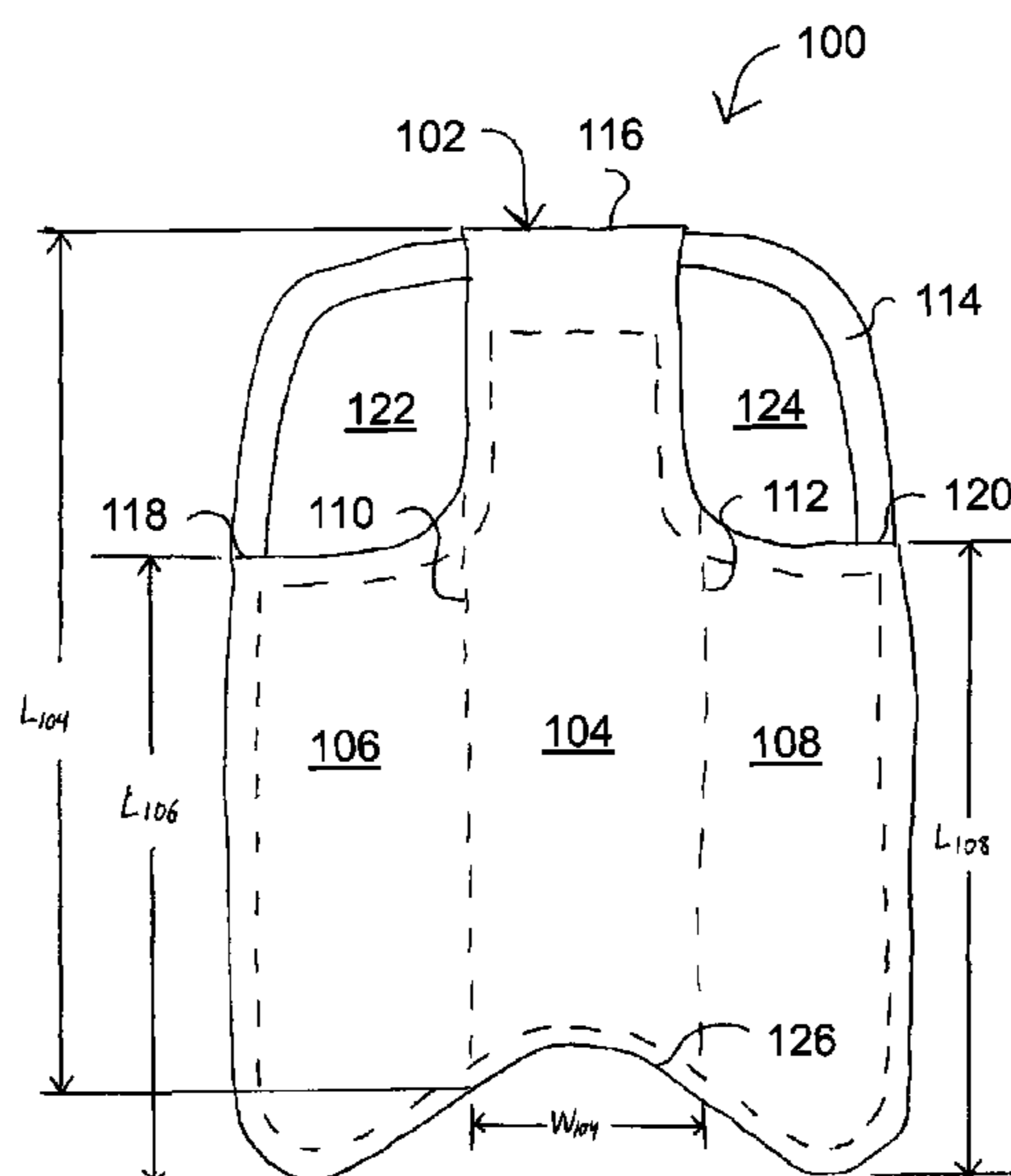
(Continued)

Primary Examiner — Patricia Engle

(57) **ABSTRACT**

A protective bird apron includes a main body area with a length and a width and a pair of opposing lateral sections attached to the main body area at corresponding opposing edges thereof, each lateral section having a length less than the length of the main body area and a width dimensioned to extend beneath respective wings of the bird. At least one securing strap is coupled to an upper portion of the main body area and to an upper portion of at least one of the lateral sections, the main body area, the at least one of the lateral sections, and the at least one securing strap defining at least one shoulder securing area. A shoulder protector is coupled to the main body area of the back covering, disposed to protect shoulders of the bird while leaving the wings of the bird substantially unrestricted in wing-flapping movement, and has a width substantially the same or greater than an overall width of the back covering. Visible warning indicia are provided on the back covering and/or the shoulder protector.

22 Claims, 6 Drawing Sheets



US RE45,586 E

Page 2

(56)

References Cited

U.S. PATENT DOCUMENTS

D632,031 S	2/2011	Schefflin	2003/0061790 A1*	4/2003	Longtin	54/79.2
7,882,808 B2	2/2011	Kosanke	2004/0211370 A1	10/2004	Blommel	
8,413,614 B2	4/2013	Kosanke	2005/0072376 A1*	4/2005	Kerrigan	119/850
2002/0073476 A1*	6/2002	Jastrab et al.	2007/0044735 A1*	3/2007	Zimmerman	119/856
		2/88	2007/0066160 A1*	3/2007	Moeller et al.	441/64

* cited by examiner

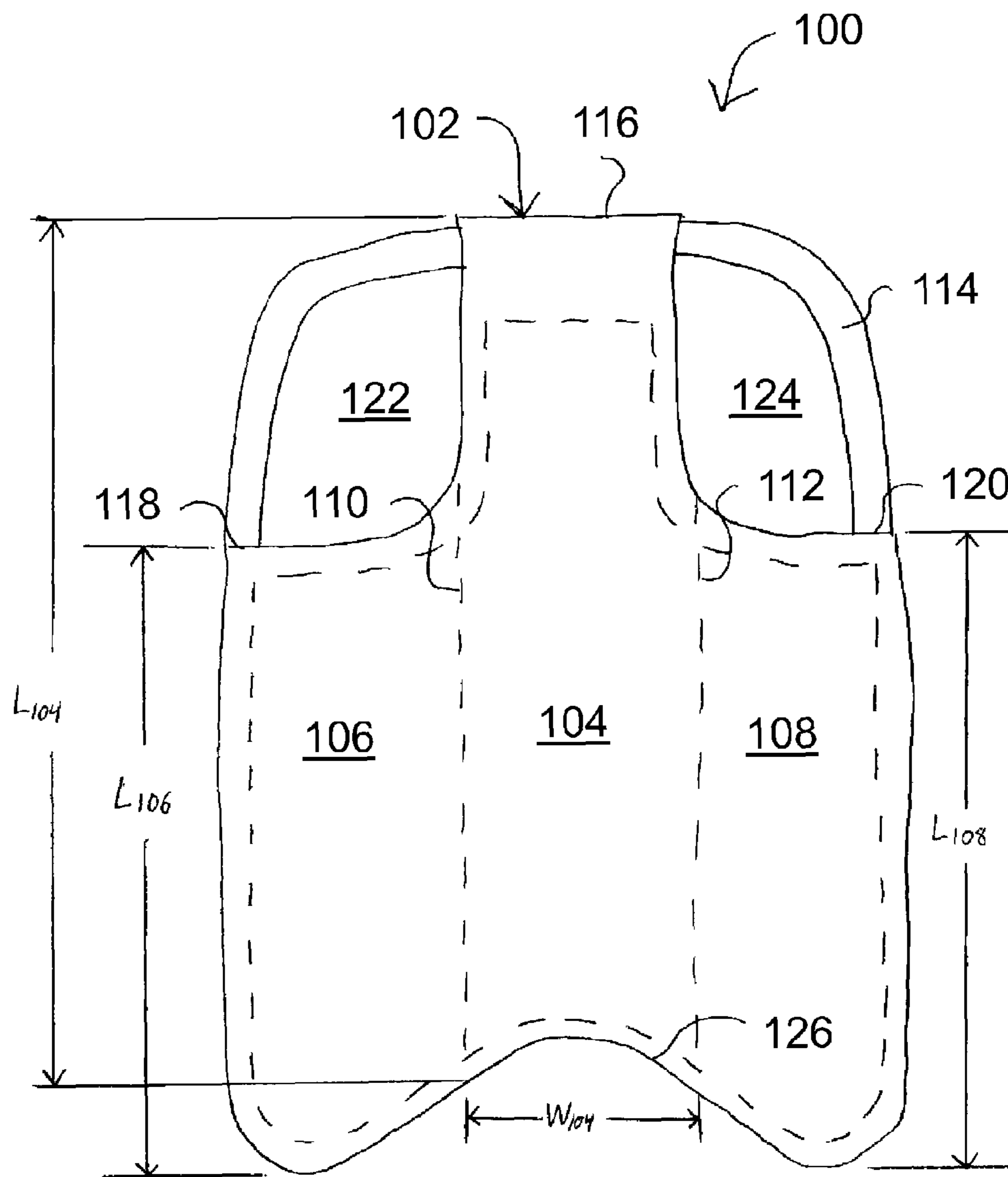


FIG. 1

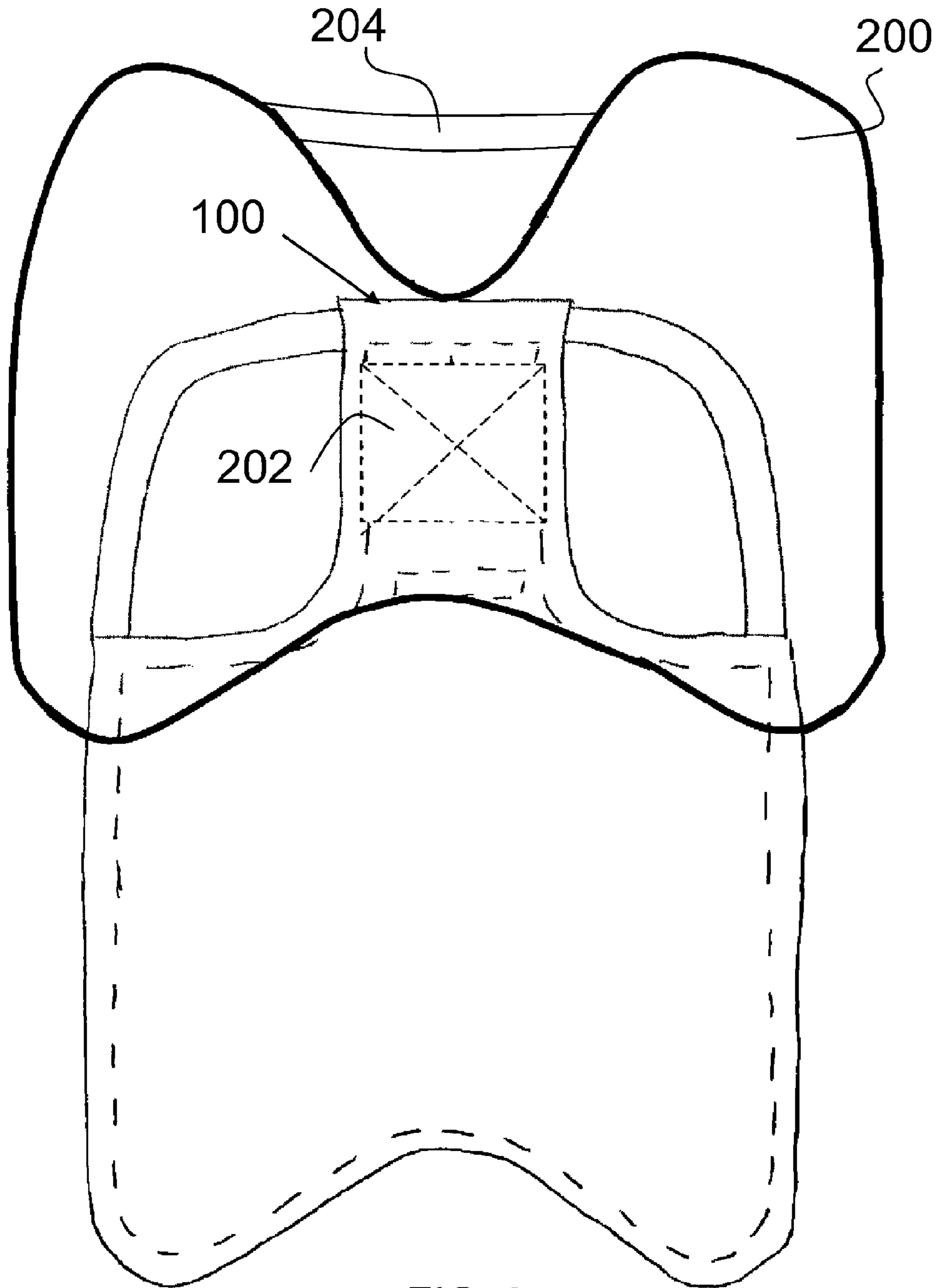


FIG. 2

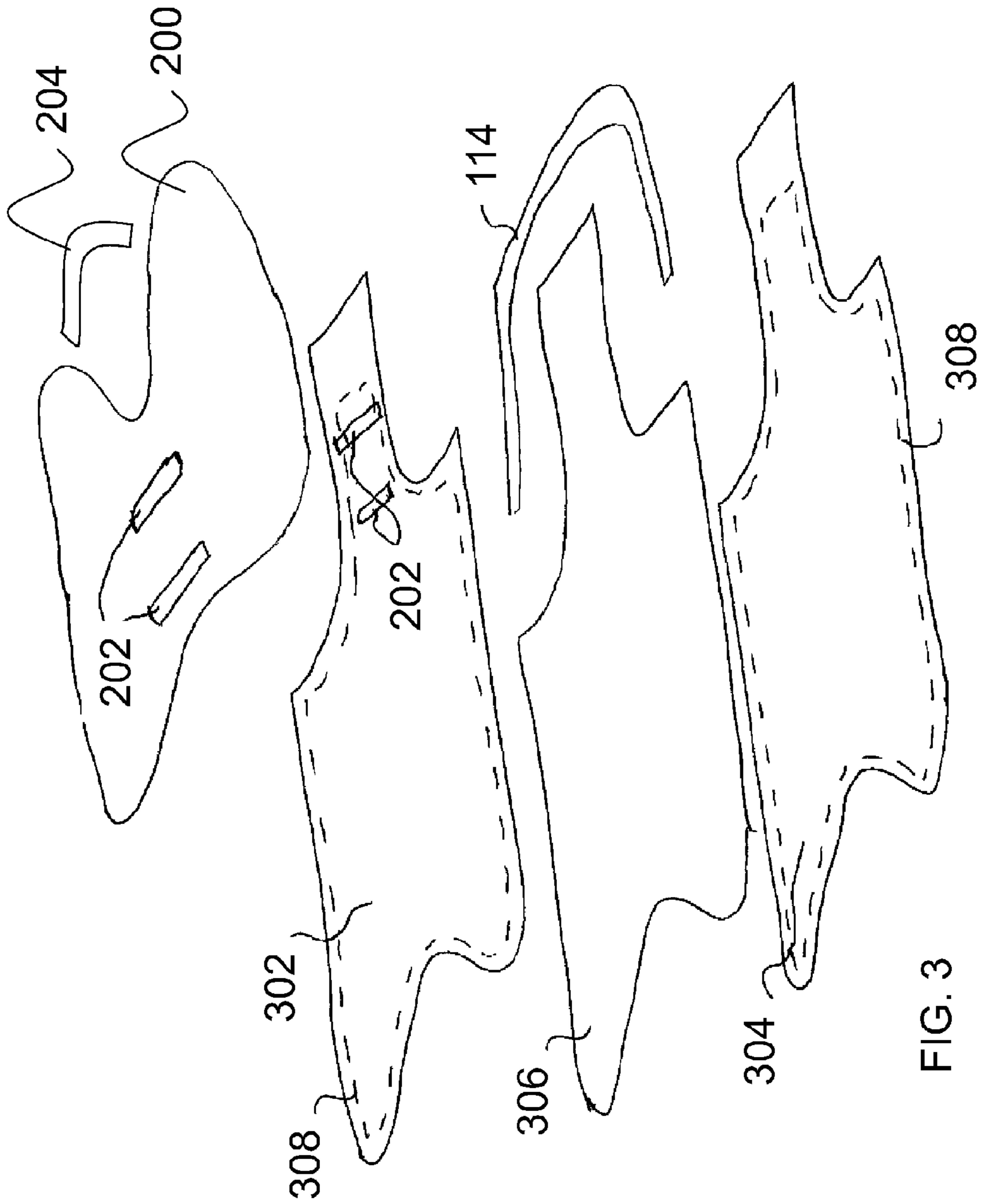


FIG. 3

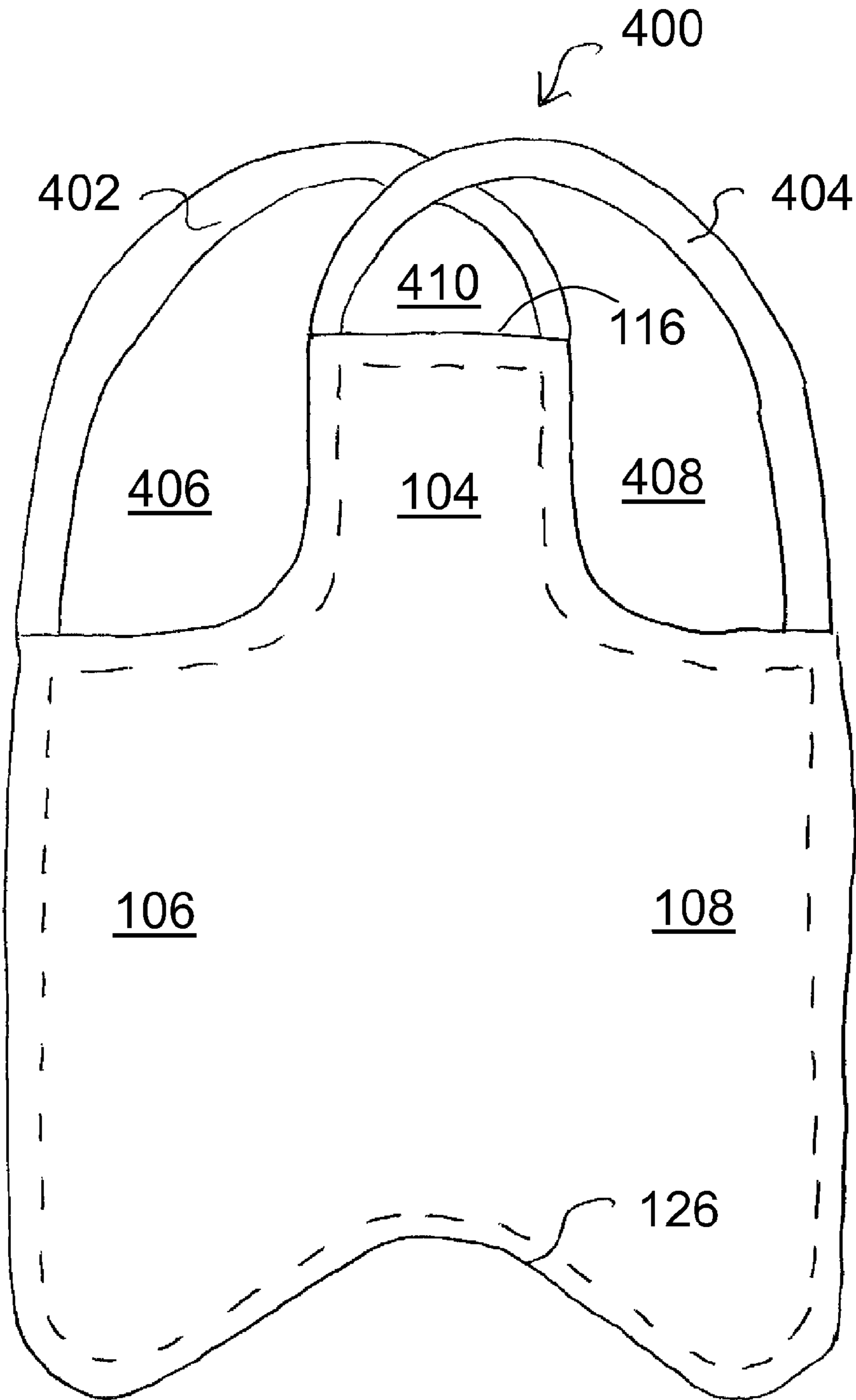


FIG. 4

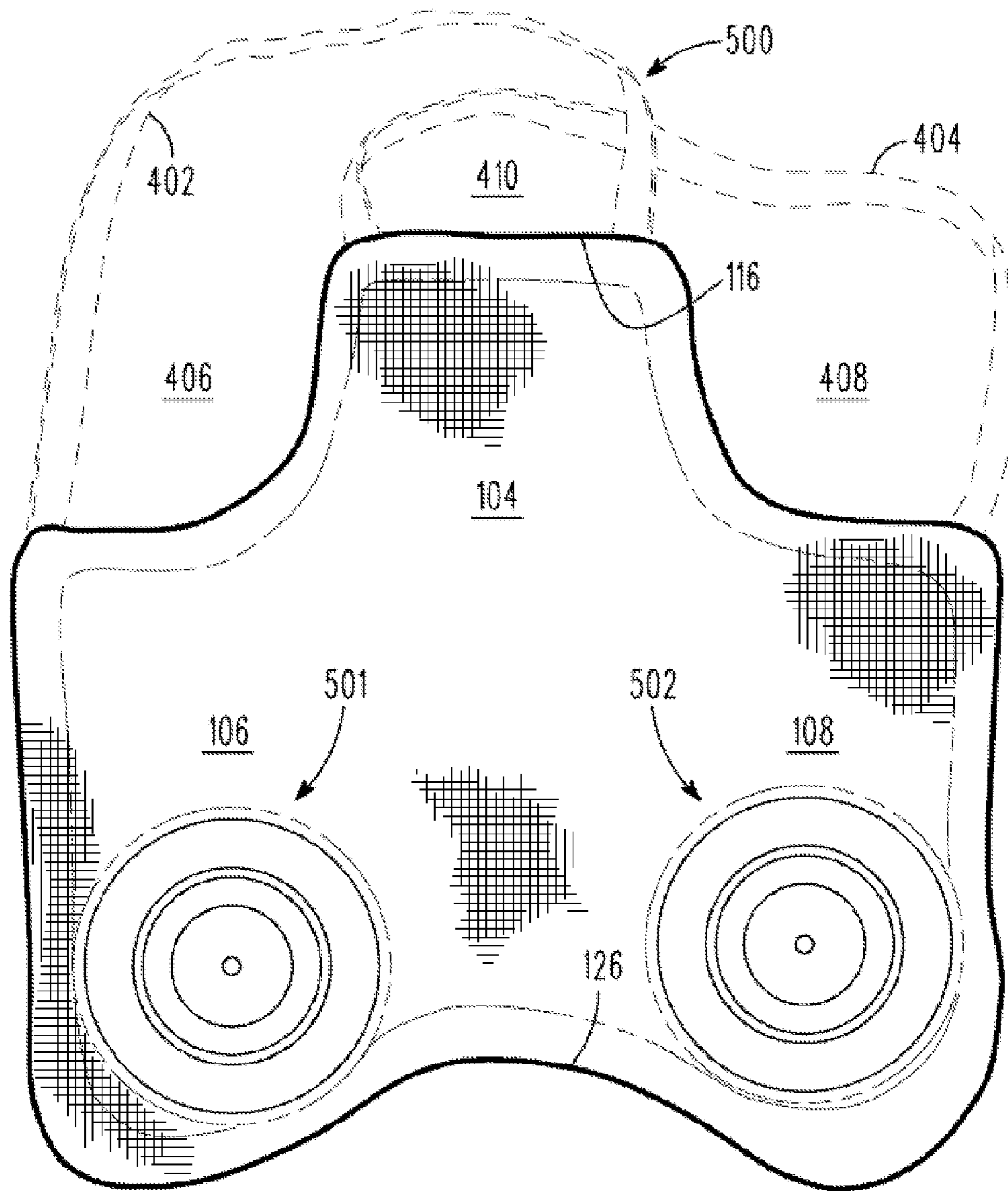


FIG. 5

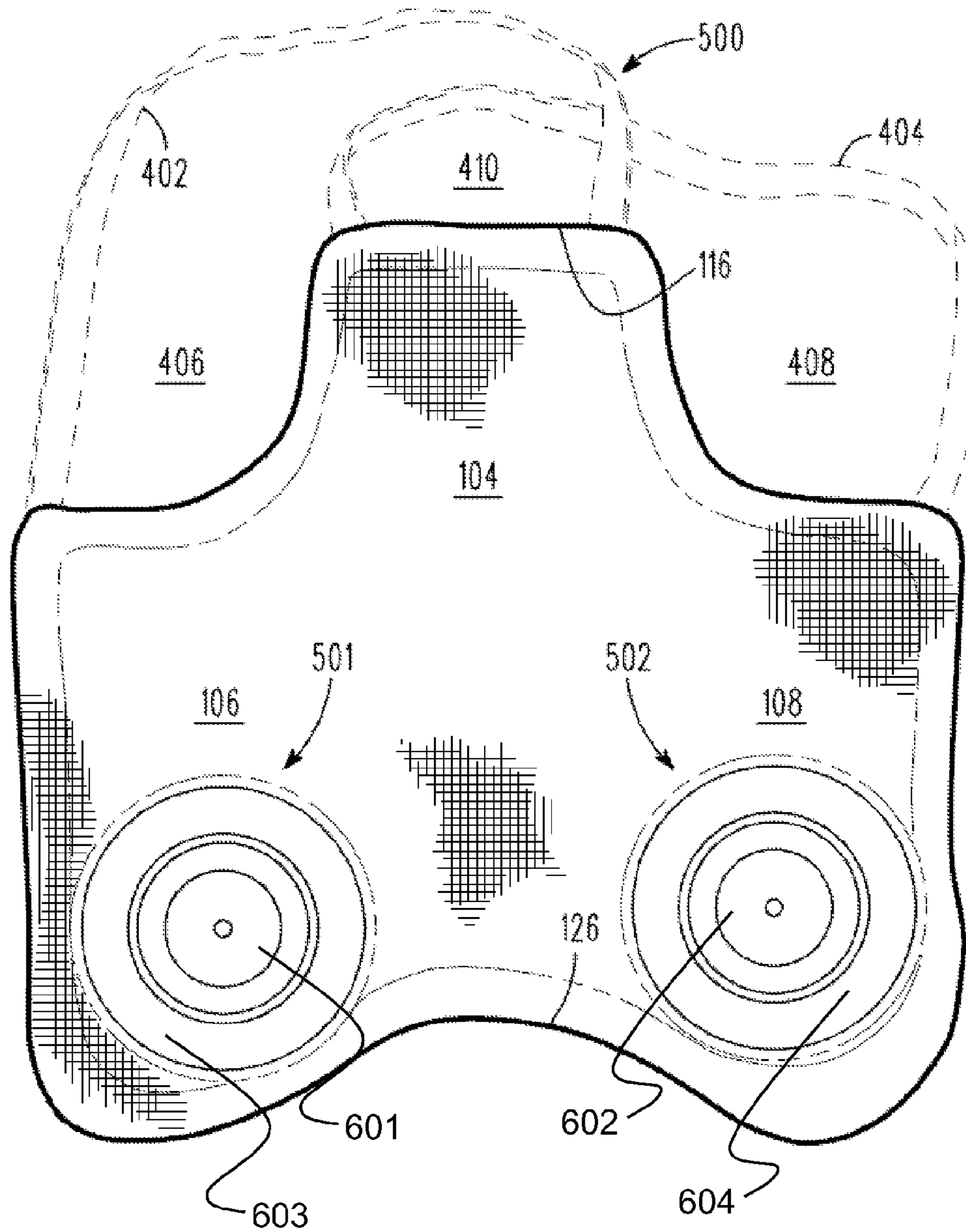


FIG. 6

PROTECTIVE HEN APRON

Matter enclosed in heavy brackets [] appears in the original patent but forms no part of this reissue specification; matter printed in italics indicates the additions made by reissue; a claim printed with strikethrough indicates that the claim was canceled, disclaimed, or held invalid by a prior post-patent action or proceeding.

CROSS-REFERENCE TO RELATED APPLICATIONS

This application is:
a continuation-in-part of U.S. patent application Ser. No. 12/356,203, filed on Jan. 20, 2009 (which application claims priority to U.S. Provisional Application Ser. No. 61/090,489, filed on Aug. 20, 2008),
the entire disclosures of which are hereby incorporated herein by reference in their entireties.

STATEMENT REGARDING FEDERALLY SPONSORED RESEARCH OR DEVELOPMENT

Not Applicable

FIELD OF THE INVENTION

The present invention relates generally to the protection of birds, and more particularly relates to an apron worn by hens or other birds to protect their backs from roosters during mating and from attacks from above by birds of prey.

BACKGROUND OF THE INVENTION

During mating with roosters, hens often sustain feather loss and cuts and gashes on their backs and shoulders. These injuries can lead to infection, picking, cannibalism, and death. In both backyard and commercial flocks, both hens and roosters often pick at each other, with the same dire results. Once a chicken suffers feather loss and wounds on its back, the chicken must either be removed from the flock or have its back covered to prevent further damage and possible infection.

Some protectors have been developed that establish a minimal level of protection for the chicken against injury. However, these devices fail to protect all of the susceptible areas of the hen's back.

The level of protection that is afforded will depend on the quality of the material and construction of the device. To date, no protector exists that meets the needs of chickens, including a proper fit for both less active (cooped or confined) and more active (free-ranging or pastured) chickens, accommodation of tail feathers, and protection of shoulders, without inhibiting the chicken's ability to spread its wings and fly.

A main predator of chickens in free-ranging or pastured flocks is the "chicken hawk." Although it may be impossible to completely protect a chicken from birds of prey, no current protector offers even a minimal level of protection.

Therefore, a need exists to overcome the problems with the prior art as discussed above.

SUMMARY OF THE INVENTION

Briefly, in accordance with the present invention, disclosed is a protective bird apron that includes a back covering with a main body area that has a length and a width. A first lateral

section is attached to a first side of the main body area and has a length less than the length of the main body area and a width dimensioned to extend away from the main body area and beneath a first wing of the bird. A second lateral section is attached to a second side of the main body area opposite the first side and has a length less than the length of the main body area and a width dimensioned to extend away from the main body area and beneath a second wing of the bird. A first securing strap is coupled to an outer portion of the first lateral section and to the second side of the main body area, a second securing strap coupled to an outer portion of the second lateral section and to the first side of the main body area, the first and second securing straps defining a first wing capturing portion, a second wing capturing portion, and a neck capturing portion. A shoulder protector is coupled to the main body area of the back covering, disposed to protect shoulders of the bird while leaving the wings of the bird substantially unrestricted in wing-flapping movement, and has a width substantially the same or greater than an overall width of the back covering. Visible warning indicia are provided on the back covering and/or the shoulder protector.

In accordance with a feature of the present invention, the visible warning indicia are shaped to resemble a pair of eyes.

In accordance with another feature, an embodiment of the present invention includes a neck-securing loop shaped to secure the shoulder protector to a neck of the bird.

In accordance with a further feature of the present invention, the shoulder protector is removably coupled to the back covering.

In accordance with yet another feature of the present invention, the back covering is of a first material and further comprises an interior layer insulating the back covering from the bird, the interior layer being of a second material different from the first material.

In accordance with an additional feature of the present invention, the shoulder protector is removably coupled to the back covering.

In accordance with a further feature, the present invention includes an inner layer disposed between the interior layer and the bird.

In accordance with another feature, an embodiment of the present invention also includes a substantially V-shaped lower edge shaped to accept a tail of the bird.

Although the invention is illustrated and described herein as embodied in a protective hen apron, it is, nevertheless, not intended to be limited to the details shown because various modifications and structural changes may be made therein without departing from the spirit of the invention and within the scope and range of equivalents of the claims. Additionally, well-known elements of exemplary embodiments of the invention will not be described in detail or will be omitted so as not to obscure the relevant details of the invention.

Other features that are considered as characteristic for the invention are set forth in the appended claims. As required, detailed embodiments of the present invention are disclosed herein; however, it is to be understood that the disclosed embodiments are merely exemplary of the invention, which can be embodied in various forms. Therefore, specific structural and functional details disclosed herein are not to be interpreted as limiting, but merely as a basis for the claims and as a representative basis for teaching one of ordinary skill in the art to variously employ the present invention in virtually any appropriately detailed structure. Further, the terms and phrases used herein are not intended to be limiting; but rather, to provide an understandable description of the invention. While the specification concludes with claims defining the features of the invention that are regarded as novel, it is

believed that the invention will be better understood from a consideration of the following description in conjunction with the drawing figures, in which like reference numerals are carried forward. The figures of the drawings are not drawn to scale.

Before the present invention is disclosed and described, it is to be understood that the terminology used herein is for the purpose of describing particular embodiments only and is not intended to be limiting. The terms “a” or “an”, as used herein, are defined as one or more than one. The term “plurality,” as used herein, is defined as two or more than two. The term “another,” as used herein, is defined as at least a second or more. The terms “including” and/or “having,” as used herein, are defined as comprising (i.e., open language). The term “coupled,” as used herein, is defined as connected, although not necessarily directly, and not necessarily mechanically.

As used herein, the term “about” or “approximately” applies to all numeric values, whether or not explicitly indicated. These terms generally refer to a range of numbers that one of skill in the art would consider equivalent to the recited values (i.e., having the same function or result). In many instances these terms may include numbers that are rounded to the nearest significant figure.

BRIEF DESCRIPTION OF THE DRAWINGS

The accompanying figures, where like reference numerals refer to identical or functionally similar elements throughout the separate views and which, together with the detailed description below, are incorporated in and form part of the specification, serve to further illustrate various embodiments and to explain various principles and advantages all in accordance with the present invention.

FIG. 1 is a planar view of a single-strap embodiment of a protective apron in accordance with the present invention;

FIG. 2 is a planar view a protective shoulder cover in accordance with the present invention attached to the protective apron of FIG. 1;

FIG. 3 is an exploded perspective view of the apron assembly and shoulder cover of FIG. 2;

FIG. 4 is a planar view of a dual-strap embodiment of a protective apron in accordance with the present invention;

FIG. 5 is a planar view of a dual-strap embodiment of a protective apron with an exemplary embodiment of predator-preventing decorative pattern, in accordance with the present invention; and

FIG. 6 is a planar view of a dual-strap embodiment of a protective apron with another exemplary embodiment of predator-preventing decorative pattern, in accordance with the present invention.

DETAILED DESCRIPTION

The present invention provides a novel apron that can be worn by birds, for example, hens, to protect their backs from other birds, for example, roosters or predators. The inventive apron can be worn by both hens and roosters to prevent feather loss and cuts and gashes that can lead to picking, cannibalism and death, to cover areas of feather loss and wounds to promote healing and feather re-growth, and to provide protection against birds of prey by both discouraging them from attacking a bird wearing the cover as well as reducing their ability to grasp the birds. The apron is not limited to use on chickens and may be used on other poultry, such as ducks, turkeys and geese. The apron may also be used on other birds, such as parrots, for protection during mating, as a cape for warmth, or as a costume.

Referring now to FIG. 1, one exemplary embodiment of the present invention is shown. FIG. 1 illustrates several advantageous features of the present invention, but, as will be described below, the invention can be provided in several shapes, sizes, combinations of features and components, and varying numbers and functions of the components. In this first embodiment of FIG. 1, the inventive apron 100 includes a back covering 102 shaped to cover the back of a bird. The back covering 102 has a main body area 104 with a length L_{104} and a width W_{104} and also includes a pair of opposing lateral sections 106 and 108, which are both attached to the main body area 104 at corresponding opposing edges 110 and 112 thereof. The edges 110 and 112 can be virtual edges and not physical borders. Each of the opposing lateral sections 106, 108 has a length L_{106} , L_{108} , respectively, that is less than the length L_{104} of the main body area 104 and a width dimensioned to extend beneath the a wing of the bird.

A securing strap 114 is coupled to an upper portion 116 of the main body area 104 and to an upper portion 118, 120 of each of the opposing lateral sections 106, 108, respectively. The main body area 104, the first lateral section 106 and the securing strap 114 define a first shoulder securing area 122 and the main body area 104, the second lateral section 108 and the securing strap 114 define a second shoulder securing area 124. The shoulder securing areas 122, 124 accept a bird's shoulder and secure the apron 100 to the bird. Once placed on the bird, the wings of the bird cover the opposing lateral sections 106, 108 and retain the apron 100 against the bird's back. In addition, the back covering 102 has a substantially V-shaped lower edge 126 that accommodates the bird's tail feathers.

FIG. 2 shows an additional feature of the present invention, which provides a shoulder protector 200 that covers and protects the shoulders of the bird. The shoulder protector 200 can be fixedly coupled to the back covering 102 or removably attached thereto. The shoulder protector 200, according to one embodiment, has a width substantially the same or greater than the width of the back covering 102.

In one embodiment where the shoulder protector 200 is removably attached, the main body area 104 can be provided with one or more couples 202, which allow the shoulder protector 200 to securely attach to the back covering 102. The couples can be, for instance, VELCRO, snap fasteners, hook and loop closures, zippers, buttons, tacky tape, lacing and many more. Where the shoulder protector 200 is non-removably attached, sewing, gluing, taping, and many others may be used. One benefit of the removable shoulder protector 200 is that it can be placed or removed as seen fit by the chicken's caretaker. Caretakers may wish to remove the shoulder protectors in hot weather, rain, or during setting, for example. An additional benefit of a removable protector 200 is that a single hen apron can be re-used by other chickens and the protector used on those chickens prone to shoulder damage but not used on other chickens not prone to suffering such shoulder damage.

Also shown in FIG. 3 is a strap 204 that goes around the bird's neck and secures the shoulder protector 200 to the bird. The strap 204 ensures that the upper edges of the shoulder protector will stay in place and against the bird.

As shown in FIG. 3, the protective back covering 102 can be multi-layer and constructed, for instance, from a top layer 302 and bottom interior layer 304 of various rip, tear, and puncture-resistant materials, such as but not limited to denim, canvas duck, leather, Kevlar and nylon. The interior layer 304 can be of a different material than the first layer 302. The back covering 102 can be filled with a layer of batting 306 that can be made of various breathable materials, such as cotton. The

batting **306** is secured to the top **302** and bottom **304** layers of the back covering **102** with a finished seam **308**.

The securing strap **114** can be of various materials, such as, but not limited to, elastic, cloth, leather, denim, other sufficiently resilient material. Similarly, the shoulder protector **200** can be made of various materials, such as, but not limited to, denim, canvas duck, leather, Kevlar and nylon.

The securing strap **114** can be sewn onto the back covering **102**, but can be, alternatively, secured with various methods other than sewing, such as, but not limited to, snap fasteners, buttons, hook and loop closures, and others.

The apron **100**, in addition to being able to be secured to a hen with the single securing strap **114**, can also be secured with a dual-strap embodiment, as shown in FIG. 4. In this embodiment, two straps **402** and **404** originate on outer or exterior portions of the opposing lateral sections **106** and **108**, respectively, and attach on either side of the upper portion **116** of the main body area **104** opposite one another. This dual-strap embodiment, defines a first wing capturing portion **406**, a second wing capturing portion **408**, and a neck-securing loop **410** that crosses under the hen's neck. The wing capturing portions **406**, **408** accept a bird's wing and secure the apron **400** to the bird. Once placed on the bird, the wings of the bird cover the opposing lateral sections **106**, **108** and retain the apron **400** against the bird's back. In addition, the back covering **102** has a substantially V-shaped lower edge **126** that accommodates the bird's tail feathers.

Although both the single-strap embodiment of FIG. 1 and the dual-strap embodiment of FIG. 4 are useful for all birds, the single-strap style is advantageous for less active birds, such as cooped, confined, pet, or show chickens. The single-strap apron is secured to the chicken by pulling the chicken's wings through the two shoulder securing areas **122** and **124** that are formed, one on each side of the main body area **104**, by the single securing strap **114** and the upper portion **116** of the apron. There is no strap around the chicken's neck in this style. The two-strap embodiment **400** of FIG. 4 is advantageous for more active free-ranging and commercial chickens. The two-strap apron **400** is secured to the chicken by pulling the apron over the chicken's head and down onto the chicken's neck so that the chicken's head is inserted through the loop **410** made by the crossing-over of the two straps **402** and **404** and then pulling the chicken's wings through the two strap loops **406** and **408**, one on each side of the apron. The straps cross under the chicken's neck in this style. Either style can be made with or without a shoulder protector **200**, whether permanent or removable. In both embodiments, the fabric of the shoulder protector covers and protects the chicken's shoulders. Both embodiments can be constructed in a variety of sizes to fit birds of various sizes and in a variety of fabric colors and patterns. If desired, the colors and/or patterns can be used to identify particular birds easily and quickly, especially in low visibility situations.

Both strap styles of aprons **100** and **400** and variations (with or without shoulder protectors) of this invention permit the chicken to move as freely as it would if it was not wearing the apron. Chickens wearing the presently inventive apron can fly, jump, take dirt baths, free-range, run, walk, perch, set and lay eggs.

Both apron embodiments **100**, **400** feature a V-shaped notch **126** to accommodate the chicken's tail feathers. The width of the apron is such that it covers the areas of the chicken's back and sides most likely to be grasped by a bird of prey. The construction of the apron, with three-layers **302**, **304**, **306** of puncture-resistant material combined with a finished-seam **308** that secures the inner layer **306** of material around the perimeter of the body, encourages the body to fold

laterally and lift upwards when grasped and squeezed by bird of prey's talons. This embodiment is conducive to use on parrots and other psittacines as an apron, cape, or costume.

The shoulder protector **200**, shown in FIG. 2 is useful with both the single-strap embodiment of the apron **100** and the dual strap embodiment of the apron **400**. The shoulder protector **200** can also be constructed of a multi-layer material and is intended to cover the bird's shoulders without inhibiting the bird's ability to move her wings, dust bathe, or fly. Advantageously, the present invention protectively covers the bird without inhibiting the bird's ability to fly and escape predators, take dust baths, remove mites and lice, and much more.

FIG. 5 shows an exemplary embodiment of the present invention that features warning indicia which, in the particular embodiment shown, resemble a pair of eyes **501**, **502**. As is known in the art, birds of prey have a natural fear of objects with indicia that resemble eyes. The eyes give the appearance of an animal looking up at them, which the predator associates with danger. For this reason, the presence of eyes **501**, **502** on the outer surface of the inventive apron **500** dissuade a predatory bird from dropping down and grabbing the apron **500**. The exemplary embodiment of the eyes **501**, **502** are shown as circular with a plurality of concentric circles, here four in number. The eyes **501**, **502** can take other geometric shapes as well, such as ovular, elliptical, lemniscate, lune, Reuleaux polygonal, vesica piscis, triquetra, crescent, spiral, or amygdaliform, and can include any number of any kind of geometric shape internal to the exterior geometry. For example, an outer circle can include therein an internal eye shape containing therein a circular pupil. Further, the eyes **501**, **502** can be placed in any other location on the apron **500** than shown in FIG. 5. Although the eyes **501**, **502** are only illustrated on the exemplary apron type shown in FIG. 4, the eyes can also be present on other apron types, such as apron **100** of FIG. 1. The eyes **501**, **502** can also be provided on a shoulder protector, such as the shoulder protector **200**.

FIG. 6 shows an exemplary embodiment of the present invention that features the pair of eyes **501**, **502** with pupil areas **601**, **602**, respectively, filled in with pigment, which can be any color or pattern. Such filling enables easy visibility from a distance. In addition, the eyes **501**, **502** of the exemplary embodiment shown in FIG. 6 also have lighter shaded outer eye areas **603**, **604**, respectively. The shaded outer eye areas **603**, **604** are not necessarily, but may enhance the visibility to a predator. In an alternative embodiment, the pupil areas **601**, **602** can be relatively lighter and the outer eye areas **603**, **604** can be relatively darker.

Although the eyes **501**, **502** are shown in FIGS. 5 and 6 in a specific location, this location is merely exemplary. The eyes **501**, **502** can be located in other locations and orientations, for example, horizontal or vertical and either closer or farther apart, which can depend on the size of the apron **100**, **400**, **500** and the position of the chicken's wings.

An apron **100**, **400**, **500** and protective shoulder cover **200** has been disclosed that may be used on hens, roosters, and other birds. The apron **100**, **400**, **500** provides an effective barrier between the chicken's back (and shoulders with shoulder protector **200**) and the beak and nails of other chickens. It also provides effective warning indicia (e.g., **501**, **502**, **601**, **602**, **603**, **604**) and a barrier against the areas of the back most likely to be grasped by the talons of an attacking bird of prey. The hen apron **100**, **400**, **500** covers the most common areas of contact between predatory birds' talons and the chickens' backs and sides, as determined from study of carcasses of chickens killed by birds of prey. The apron **100**, **400**, **500** is also prone to flex laterally and lift upwards when

grasped, thereby limiting the ability of the bird to gain purchase of the chicken and potentially enabling the chicken to escape the hawk's grasp.

What is claimed is:

1. A protective bird apron, comprising:

a back covering shaped to cover a back of a bird, the back covering having:

[an outer surface;]

a main body area having a length and a width;

a first lateral section [attached to] *at* a first side of the main body area and having a length less than the length of the main body area and a width dimensioned to extend away from the main body area and beneath a first wing of the bird; and

a second lateral section [attached to] *at* a second side of the main body area opposite the first side and having a length less than the length of the main body area and a width dimensioned to extend away from the main body area and beneath a second wing of the bird;

a first securing strap coupled to an outer portion of the first lateral section and to the second side of the main body area;

a second securing strap coupled to an outer portion of the second lateral section and to the first side of the main body area, the first and second securing straps defining a first wing capturing portion[,] *and* a second wing capturing portion[,] *and* a neck capturing portion; and

a shoulder protector having:

a first-wing-covering portion;

a second-wing-covering portion; *and*

an attachment area coupling the first-wing-covering portion and the second-wing-covering portion to the main body area, thereby leaving the first-wing-covering portion unrestricted in wing-flapping movement at a location above the first wing of the bird and the second-wing-covering portion unrestricted in wing-flapping movement at a location above the second wing of the bird; and

an outer surface; and

visible warning indicia provided on at least one of the outer surface of the shoulder protector and the outer surface of the back covering].

2. The protective bird apron according to claim 1, [wherein the visible warning indicia are shaped to resemble a pair of eyes] *wherein:*

the first and second securing straps together with the back covering define a neck capturing portion; and

the shoulder protector has an outer surface and the back covering has an outer surface, and which further comprises visible warning indicia provided on at least one of the outer surface of the shoulder protector and the outer surface of the back covering.

3. The protective bird apron according to claim 1, wherein the shoulder protector has a width substantially the same or greater than an overall width of the back covering.

4. The protective bird apron according to claim 3, wherein the shoulder protector is removably coupled to the back covering.

5. The protective bird apron according to claim 3, wherein the shoulder protector further comprises a neck-securing loop shaped to secure the shoulder protector to a neck of the bird.

6. The protective bird apron according to claim 3, wherein the shoulder protector further comprises a substantially V-shaped lower edge.

7. The protective bird apron according to claim 1, further comprising an interior layer insulating the back covering

from the bird, the back covering being of a first material and the interior layer being of a second material different from the first material.

8. The protective bird apron according to claim 7, further comprising an inner layer disposed between the interior layer and the bird.

9. The protective bird apron according to claim 1, wherein the back covering further comprises:

a substantially V-shaped lower edge shaped to accept a tail of the bird.

10. A protective bird apron comprising:

a back covering shaped to cover a back of a bird, the back covering having:

[an outer surface;]

a main body area having a length and a width; and

a pair of opposing lateral sections [attached to] *at* the main body area at corresponding opposing [edges] *sides* thereof, each lateral section having a length less than the length of the main body area and a width dimensioned to extend beneath respective wings of the bird;

at least one securing strap coupled to an upper portion of the main body area and to an upper portion of at least one of the lateral sections[.];

the main body area, the at least one of the lateral sections, and the at least one securing strap defining at least one shoulder securing area; and

a shoulder protector having:

a first-wing-covering portion;

a second-wing-covering portion; *and*

an attachment area coupling the first-wing-covering portion and the second-wing-covering portion to the main body area, thereby leaving the first-wing-covering portion unrestricted in wing-flapping movement at a location above the first wing of the bird and the second-wing-covering portion unrestricted in wing-flapping movement at a location above the second wing of the bird; and

an outer surface; and

visible warning indicia provided on at least one of the outer surface of the shoulder protector and the outer surface of the back covering].

11. The protective bird apron according to claim 10, [wherein the visible warning indicia are shaped to resemble a pair of eyes] *wherein the shoulder protector has an outer surface and the back covering has an outer surface, and which further comprises visible warning indicia provided on at least one of the outer surface of the shoulder protector and the outer surface of the back covering.*

12. The protective bird apron according to claim 10, wherein the shoulder protector has a width substantially the same or greater than an overall width of the back covering.

13. The protective bird apron according to claim 12, wherein the shoulder protector is removably coupled to the back covering.

14. The protective bird apron according to claim 12, wherein the shoulder protector further comprises a neck-securing loop shaped to secure the shoulder protector to a neck of the bird.

15. The protective bird apron according to claim 12, wherein the shoulder protector further comprises a substantially V-shaped lower edge.

16. The protective bird apron according to claim 10, further comprising an interior layer insulating the back covering from the bird, the back covering being of a first material and the interior layer being of a second material different from the first material.

17. The protective bird apron according to claim 16, further comprising an inner layer disposed between the interior layer and the bird.

18. The protective bird apron according to claim 10, wherein the back covering further comprises a substantially V-shaped lower edge shaped to accept a tail of the bird.

19. A protective bird apron, comprising:

a back covering shaped to cover a back of a bird, the back covering having:

[an outer surface;]

a main body area defining a longitudinal axis and having:

an upper portion;

a body length along the longitudinal axis; and

a body width in a direction orthogonal to the longitudinal axis and defining opposing first and second sides away from the longitudinal axis;

a first lateral section at the first side and having:

a first exterior;

a first length less than the body length; and

a first width extending away from the first side at a distance from the longitudinal axis to rest beneath a first wing of the bird when used; and

a second lateral section at the second side and having:

a second exterior;

a second length less than the body length; and

a second width extending away from the second side at a distance from the longitudinal axis to rest beneath a second wing of the bird when used;

a first securing strap coupled to the first exterior and to the upper portion at the second side;

a second securing strap coupled to the second exterior and to the upper portion at the first side, the first and second securing straps together with the back covering defining

a first wing capturing portion[,] and a second wing capturing portion[, and a neck capturing portion]; and a shoulder protector having:

a first-wing-covering portion;

a second-wing-covering portion; and

an attachment area coupling the first-wing-covering portion and the second-wing-covering portion to the main body area, thereby leaving the first-wing-covering portion unrestricted in wing-flapping movement at a location above the first wing of the bird and the second-wing-covering portion unrestricted in wing-flapping movement at a location above the second wing of the bird[]; and

an outer surface; and

visible warning indicia on at least one of the outer surface of the shoulder protector and the outer surface of the back covering].

20. The protective bird apron according to claim 2, wherein the visible warning indicia are shaped to resemble a pair of eyes.

21. The protective bird apron according to claim 11, wherein the visible warning indicia are shaped to resemble a pair of eyes.

22. The protective bird apron according to claim 19, wherein:

the first and second securing straps together with the back covering define a neck capturing portion; and

the shoulder protector has an outer surface and the back covering has an outer surface, and which further comprises visible warning indicia on at least one of the outer surface of the shoulder protector and the outer surface of the back covering.

* * * * *