



US00RE45560E

(19) **United States**  
(12) **Reissued Patent**  
**Kroll**

(10) **Patent Number:** **US RE45,560 E**  
(45) **Date of Reissued Patent:** **Jun. 16, 2015**

(54) **CROSS-SHAPED DISPLAY STAND**  
(71) Applicant: **William F. Kroll**, Boca Raton, FL (US)  
(72) Inventor: **William F. Kroll**, Boca Raton, FL (US)  
(21) Appl. No.: **29/463,817**  
(22) Filed: **Mar. 12, 2014**

D518,939 S \* 4/2006 Borgerding ..... D99/5  
D578,275 S \* 10/2008 Shantz et al. .... D99/17  
D618,135 S \* 6/2010 Horst ..... D11/157  
D619,926 S \* 7/2010 Letney ..... D11/157  
D649,594 S \* 11/2011 Yi et al. .... D20/15  
D654,828 S 2/2012 Piric  
D685,675 S 7/2013 Dubow

\* cited by examiner

*Primary Examiner* — Phillip S Hyder  
(74) *Attorney, Agent, or Firm* — Mark D. Bowen; Malin Haley DiMaggio & Bowen, P.A.

**Related U.S. Patent Documents**

Reissue of:

(64) Patent No.: **Des. 659,432**  
Issued: **May 15, 2012**  
Appl. No.: **29/400,199**  
Filed: **Aug. 24, 2011**

(57) **CLAIM**  
The ornamental design for a cross-shaped display stand, as shown and described.

(51) **LOC (10) Cl.** ..... **06-04**  
(52) **U.S. Cl.**  
USPC ..... **D6/674; D6/300**  
(58) **Field of Classification Search**  
USPC ..... D6/300–314, 674; D99/5, 23, 27;  
D11/122, 125, 157; D20/15; D26/4,  
D26/94; 211/85.6, 441.1, 442.2, 450, 451,  
211/454, 455, 456, 133, 121, 152, 174,  
211/176.1

**DESCRIPTION**

See application file for complete search history.

FIG. 1 is a front perspective view of a cross-shaped display stand in accordance with the present invention;  
FIG. 2 is a bottom perspective view thereof;  
FIG. 3 is a front *elevation* view thereof;  
FIG. 4 is a rear *elevation* view thereof;  
FIG. 5 is a side *elevation* view thereof;  
FIG. 6 is a top *plan* view thereof; [and,]  
FIG. 7 is a bottom *plan* view thereof[.];  
*FIG. 8 is a front perspective view of a second embodiment of the cross-shaped display stand in accordance with the present invention;*  
*FIG. 9 is a bottom perspective view thereof;*  
*FIG. 10 is a front elevation view thereof;*  
*FIG. 11 is a rear elevation view thereof;*  
*FIG. 12 is a side elevation view thereof;*  
*FIG. 13 is a top plan view thereof; and,*  
*FIG. 14 is a bottom plan view thereof.*  
*The dot-dash broken lines in FIGS. 8 through 14 represent the boundaries between claimed and non-claimed subject matter.*

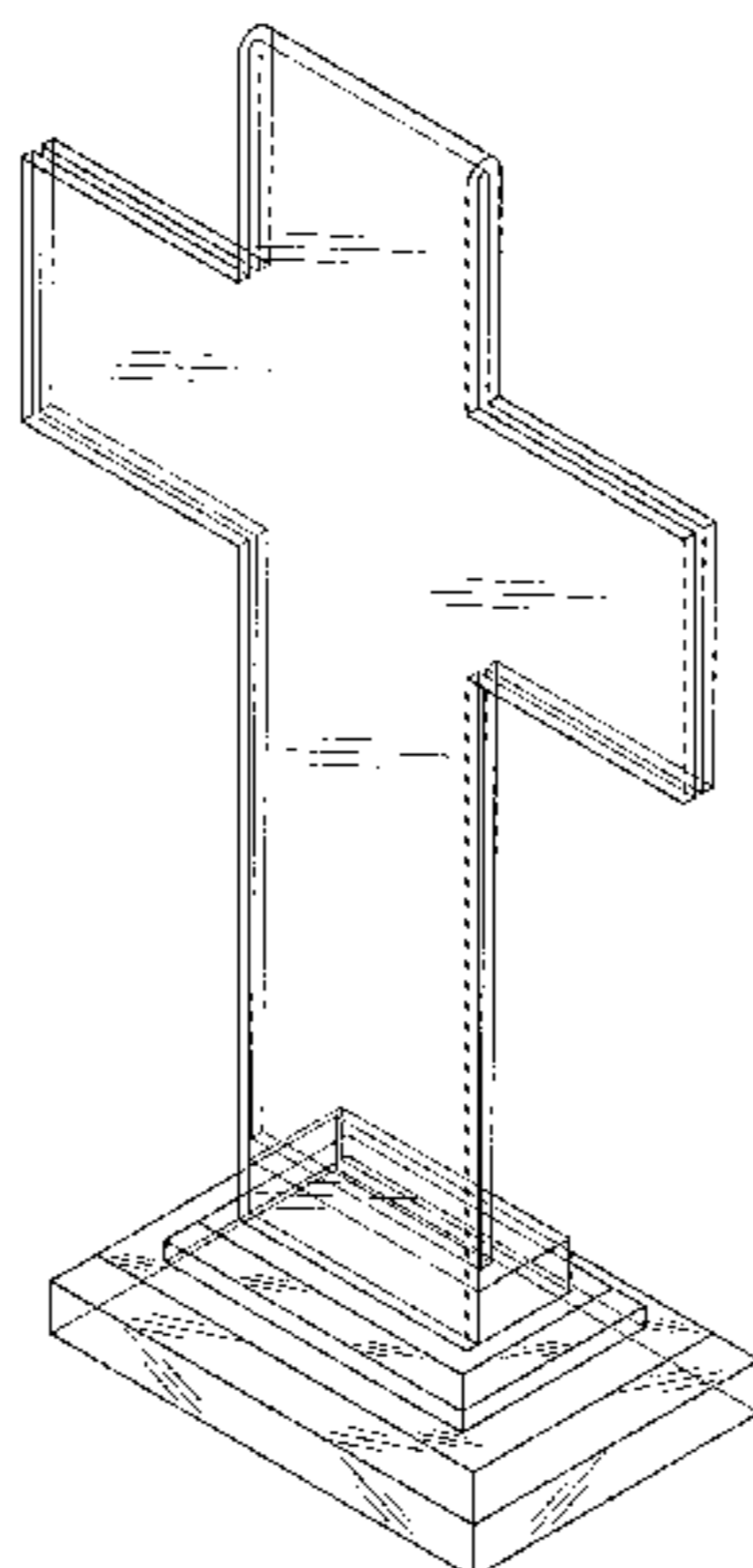
(56) **References Cited**

**U.S. PATENT DOCUMENTS**

D67,289 S \* 5/1925 Ladewich ..... D99/23  
D103,027 S \* 2/1937 Slattery ..... D99/27  
D137,421 S \* 3/1944 Rasmussen ..... D99/23  
D159,891 S \* 8/1950 Chevalier ..... D99/27  
D160,900 S \* 11/1950 Suhren ..... D6/450  
D168,686 S \* 1/1953 Hunter ..... D6/450  
D256,398 S 8/1980 Mitchell  
D338,081 S \* 8/1993 Klaffer ..... D26/94  
D338,315 S 8/1993 Larson  
D370,282 S \* 5/1996 Grether ..... D26/4  
D408,653 S \* 4/1999 Dotson et al. .... D6/450  
D412,461 S \* 8/1999 McGrew ..... D11/122  
D431,206 S \* 9/2000 Byers ..... D11/125  
D440,734 S \* 4/2001 Berry ..... D99/23  
D443,970 S \* 6/2001 Stucker ..... D99/27  
D481,223 S \* 10/2003 Locker et al. .... D6/470

**1 Claim, 10 Drawing Sheets**

**Matter enclosed in heavy brackets [ ] appears in the original patent but forms no part of this reissue; matter printed in italics indicates the additions made by reissue.**



(AMENDED)

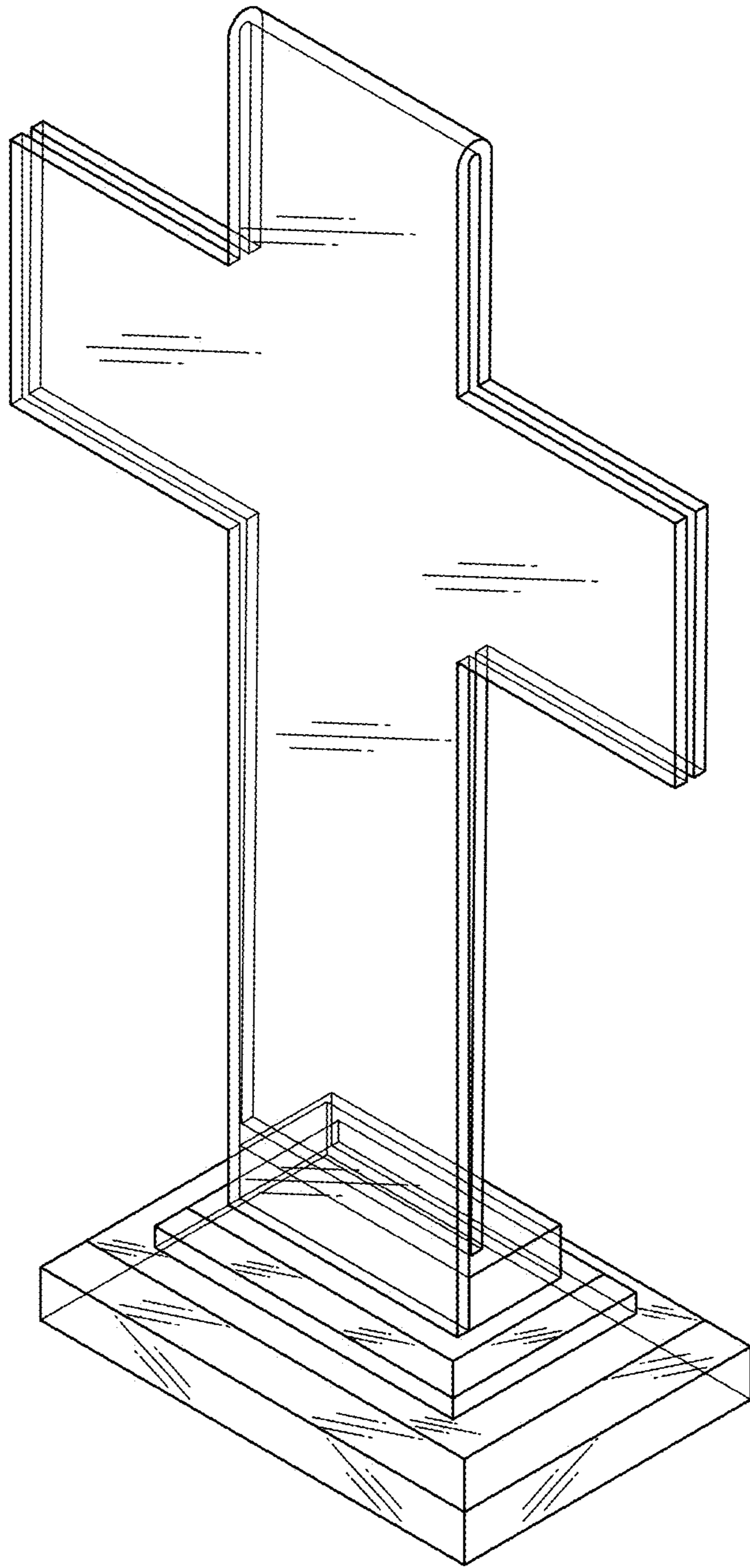


FIG. 1  
(AMENDED)

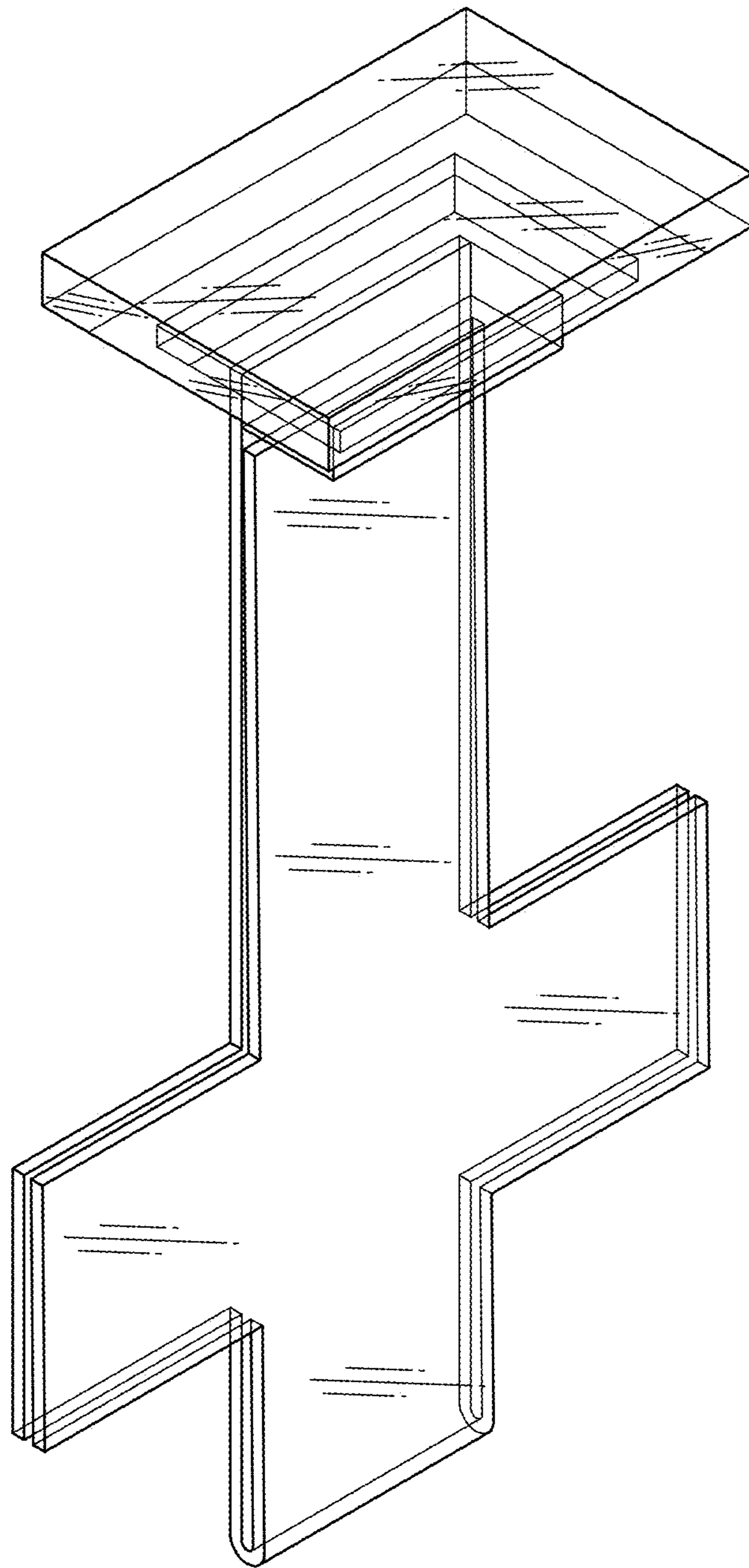


FIG. 2  
(AMENDED)

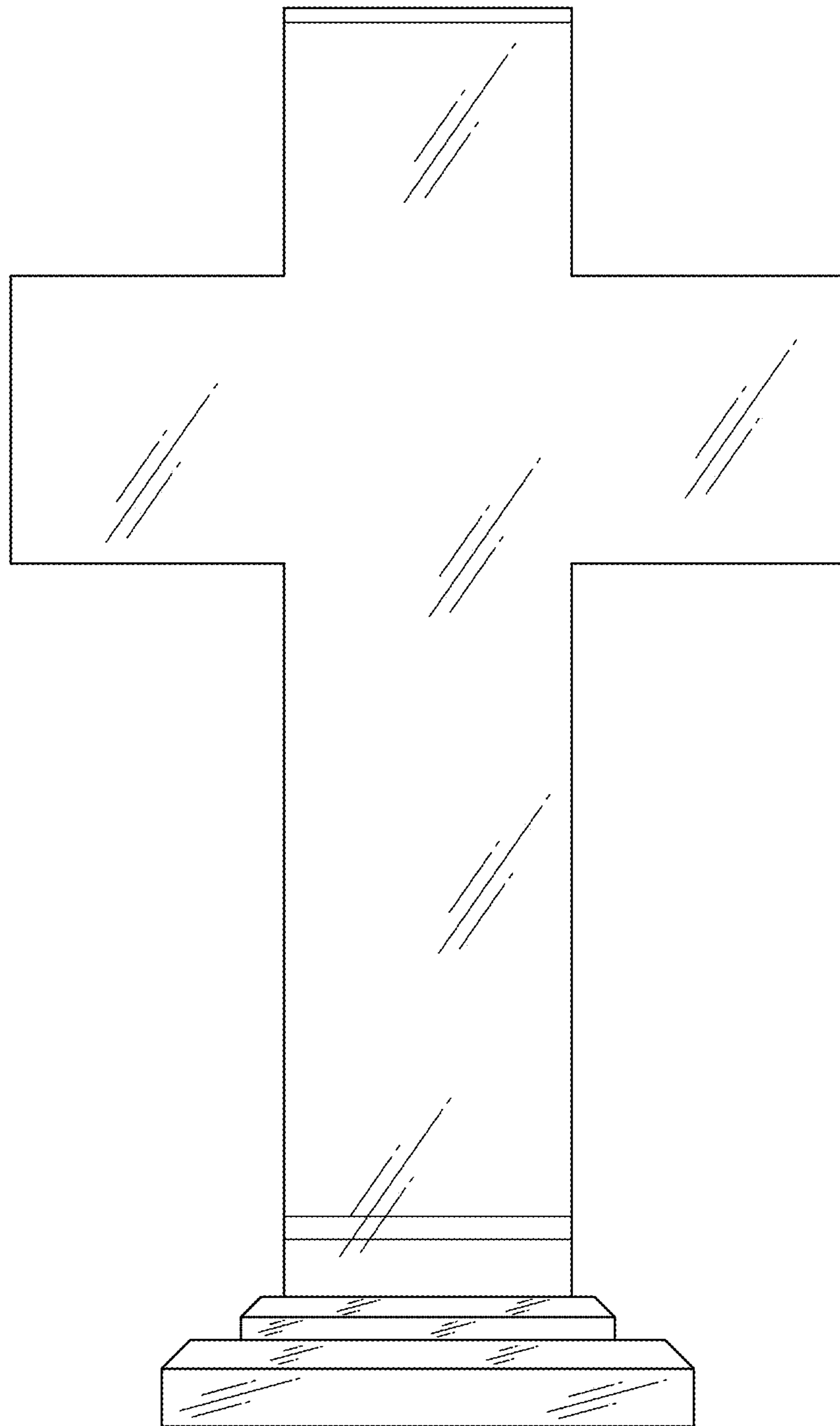


FIG. 3  
(AMENDED)

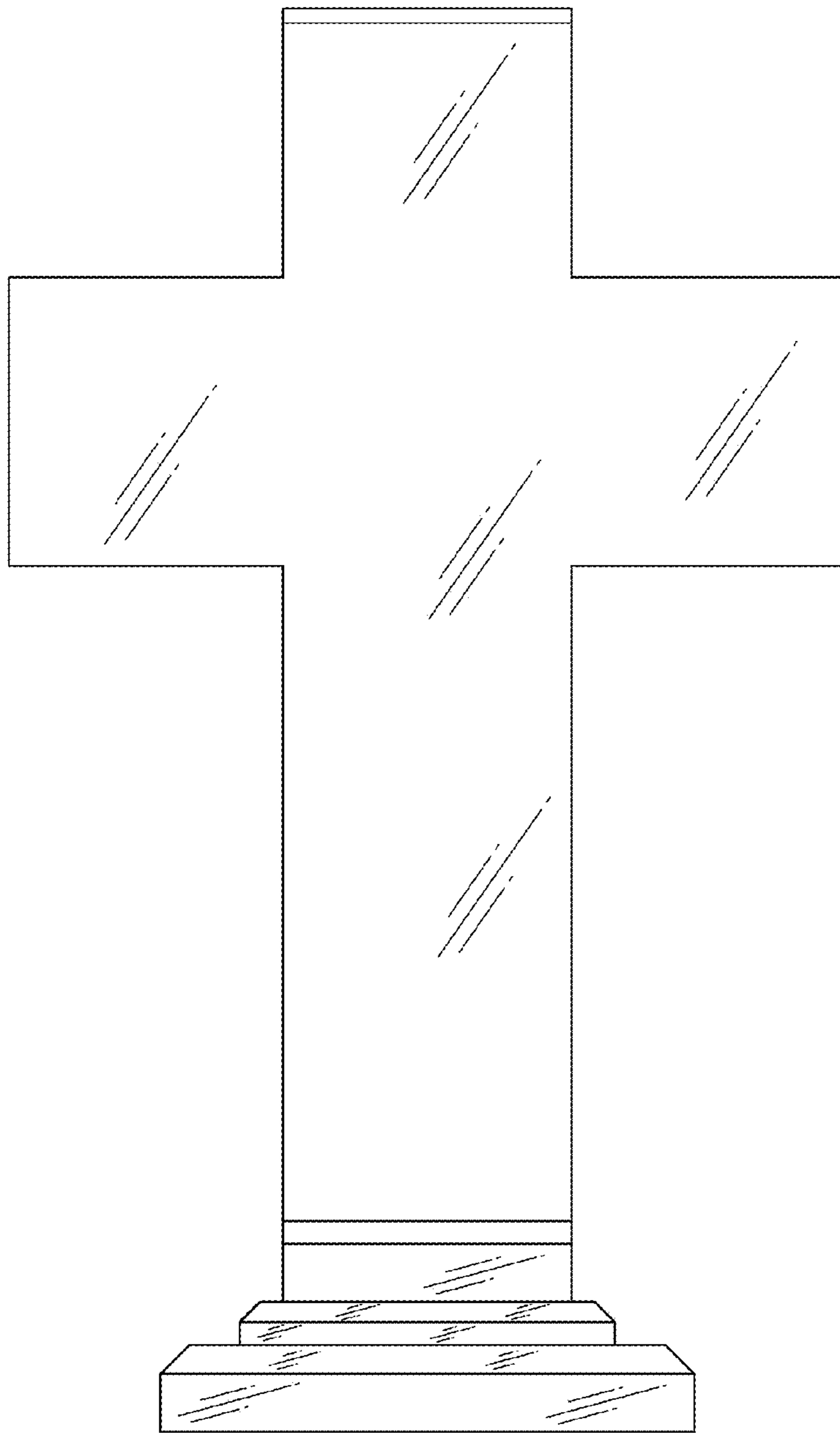


FIG. 4  
(AMENDED)

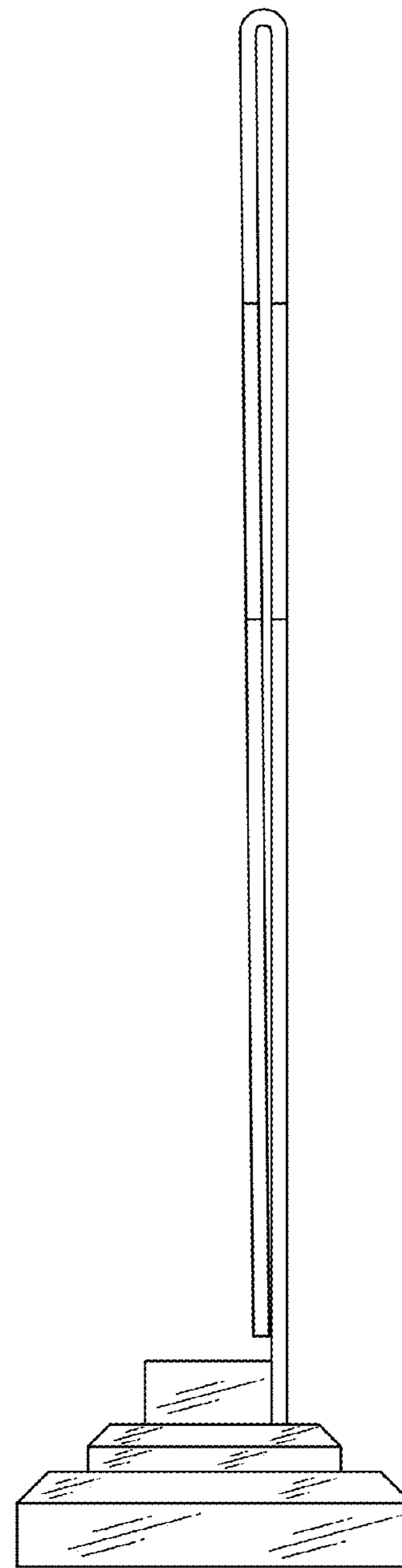


FIG. 5  
(AMENDED)

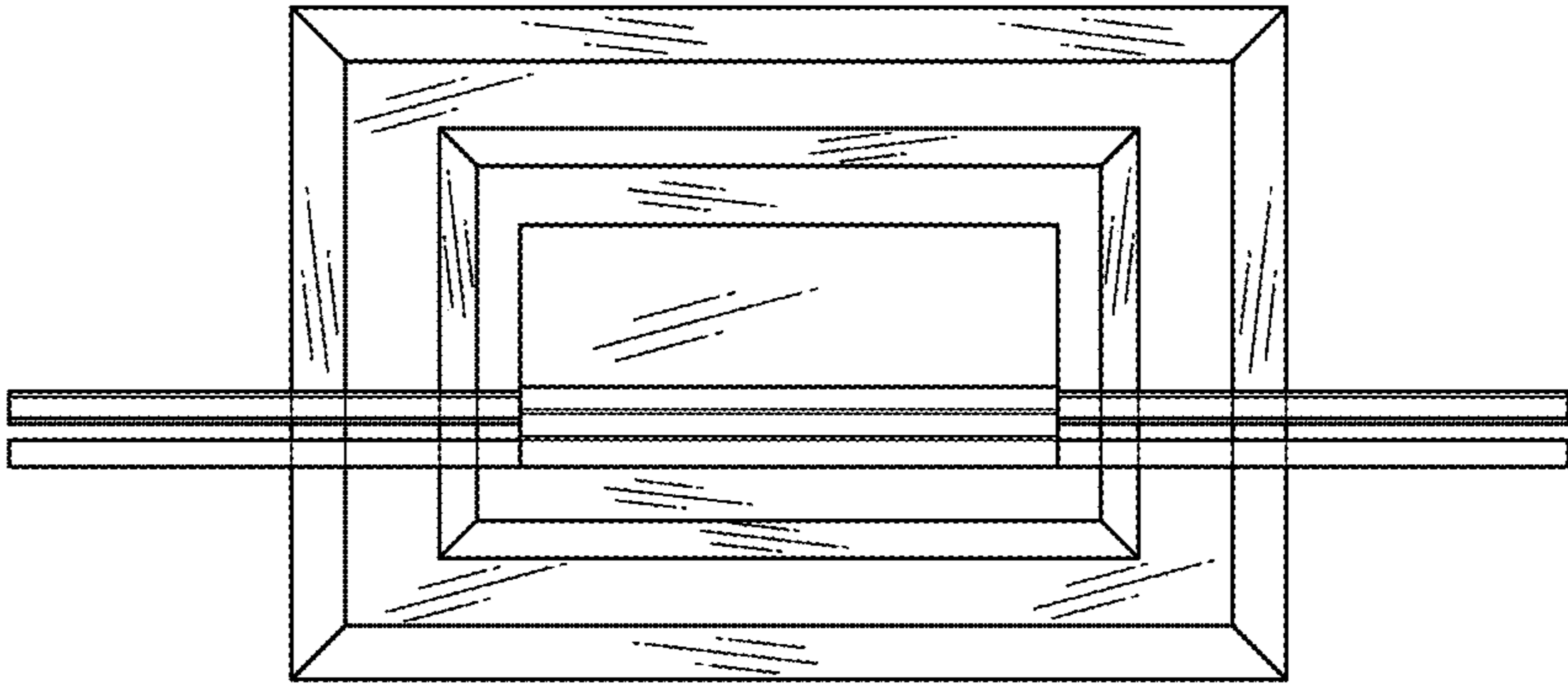


FIG. 6  
(AMENDED)

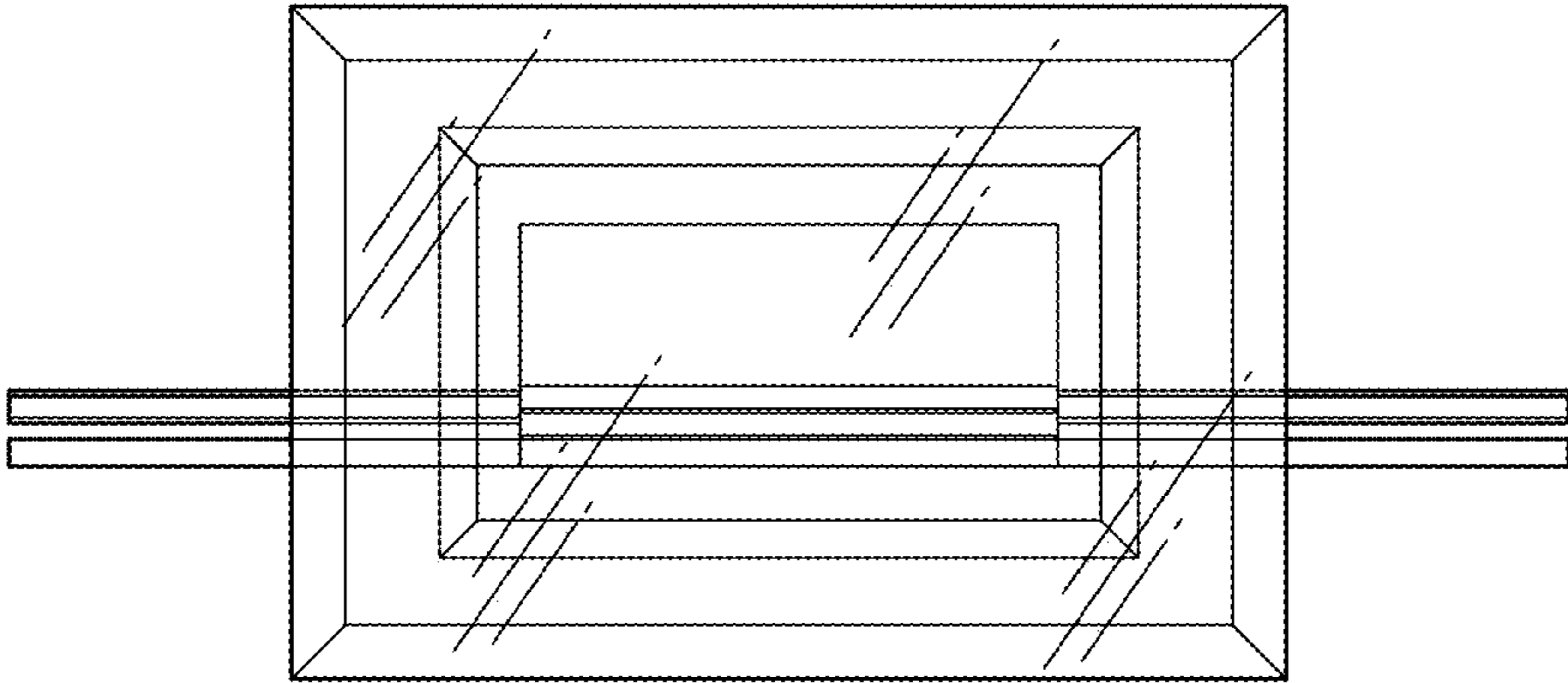


FIG. 7  
(AMENDED)

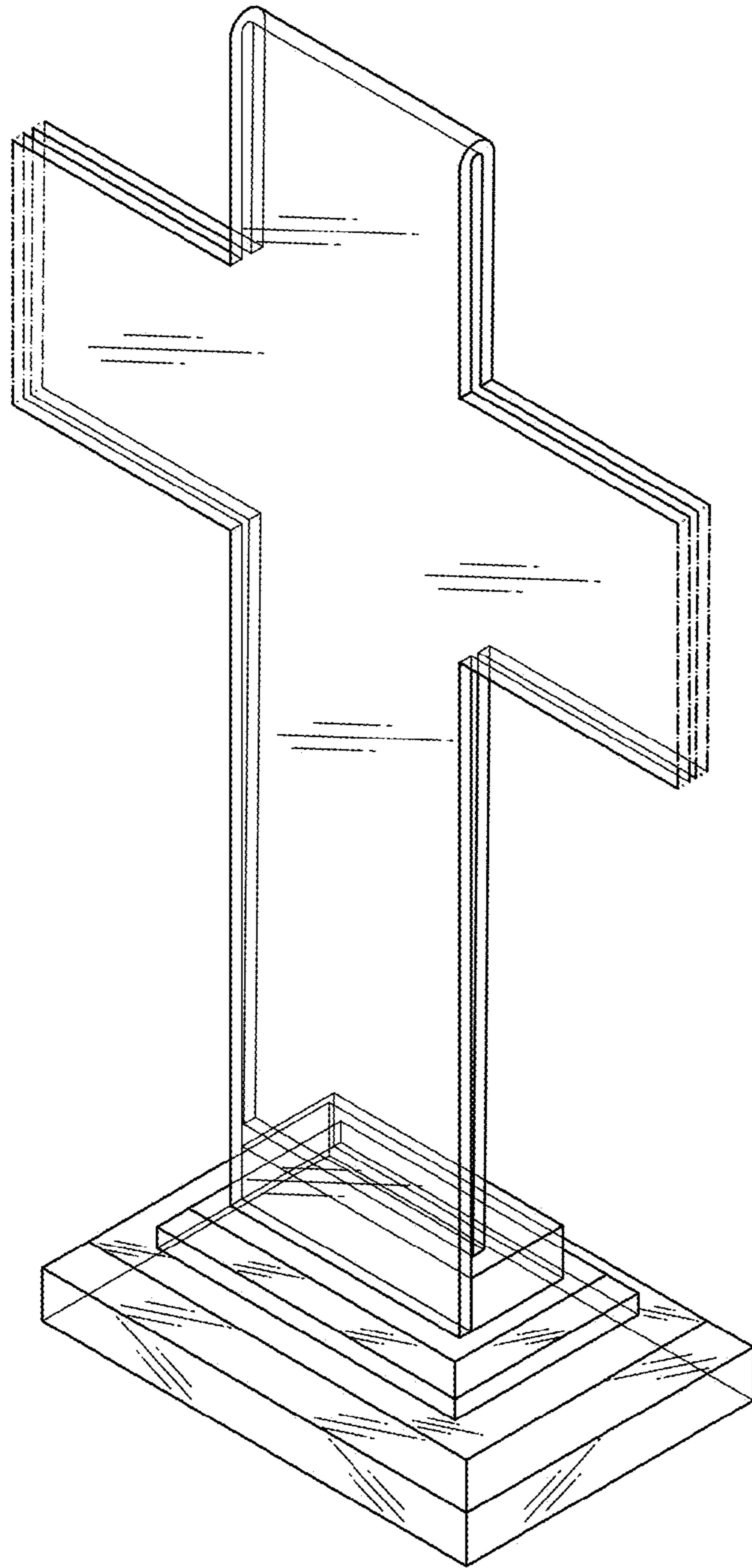


FIG. 8  
(NEW)

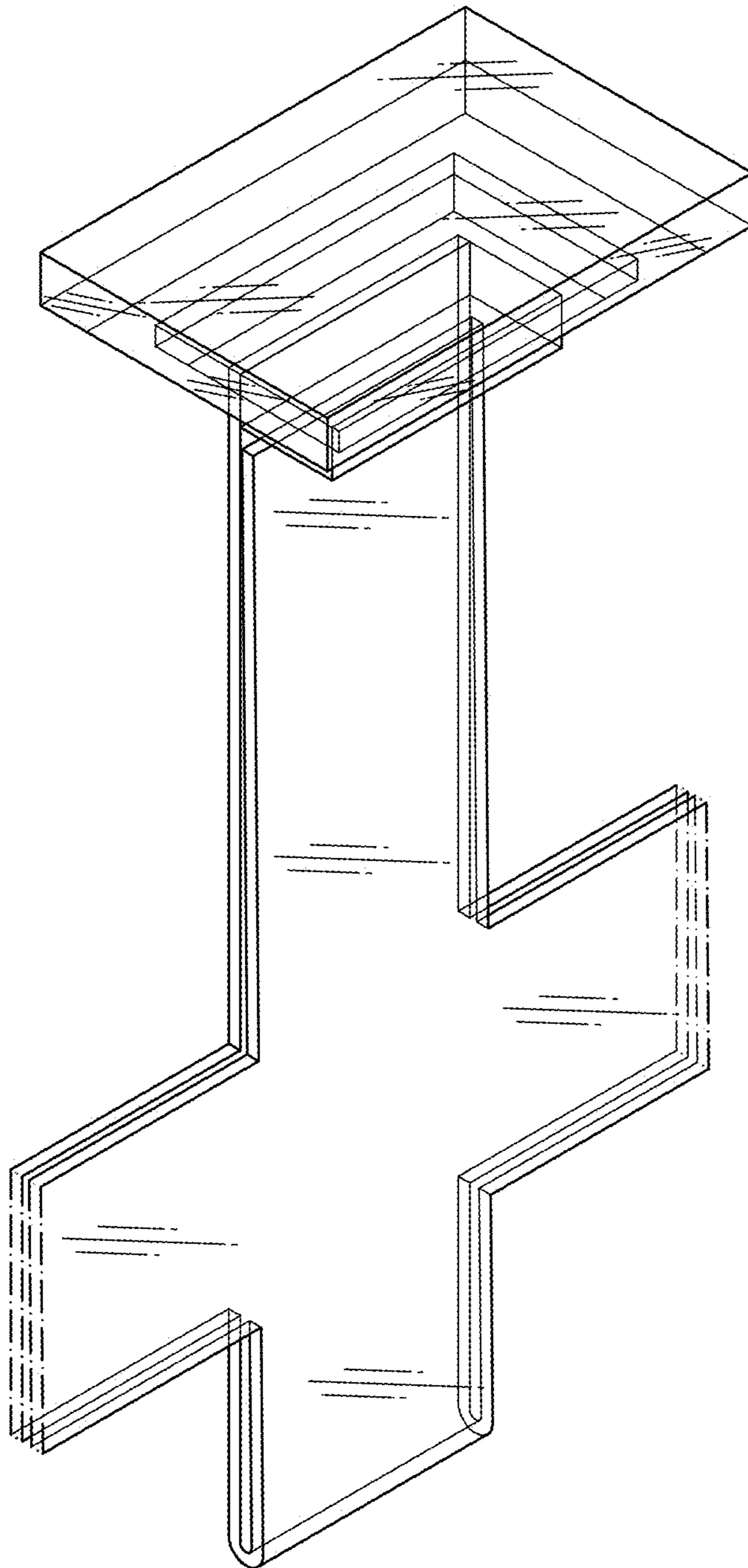


FIG. 9  
(NEW)



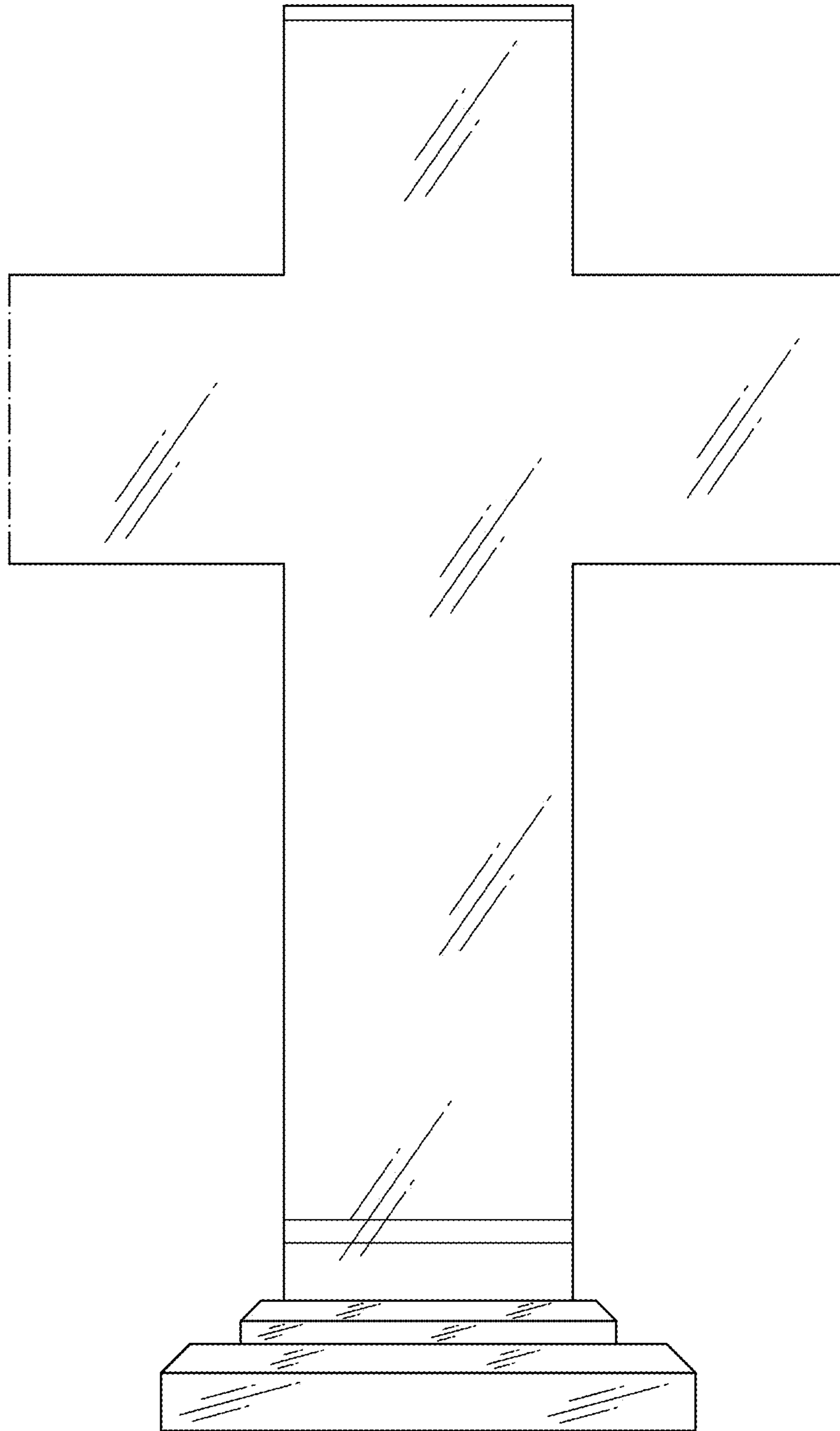


FIG. 10  
(NEW)

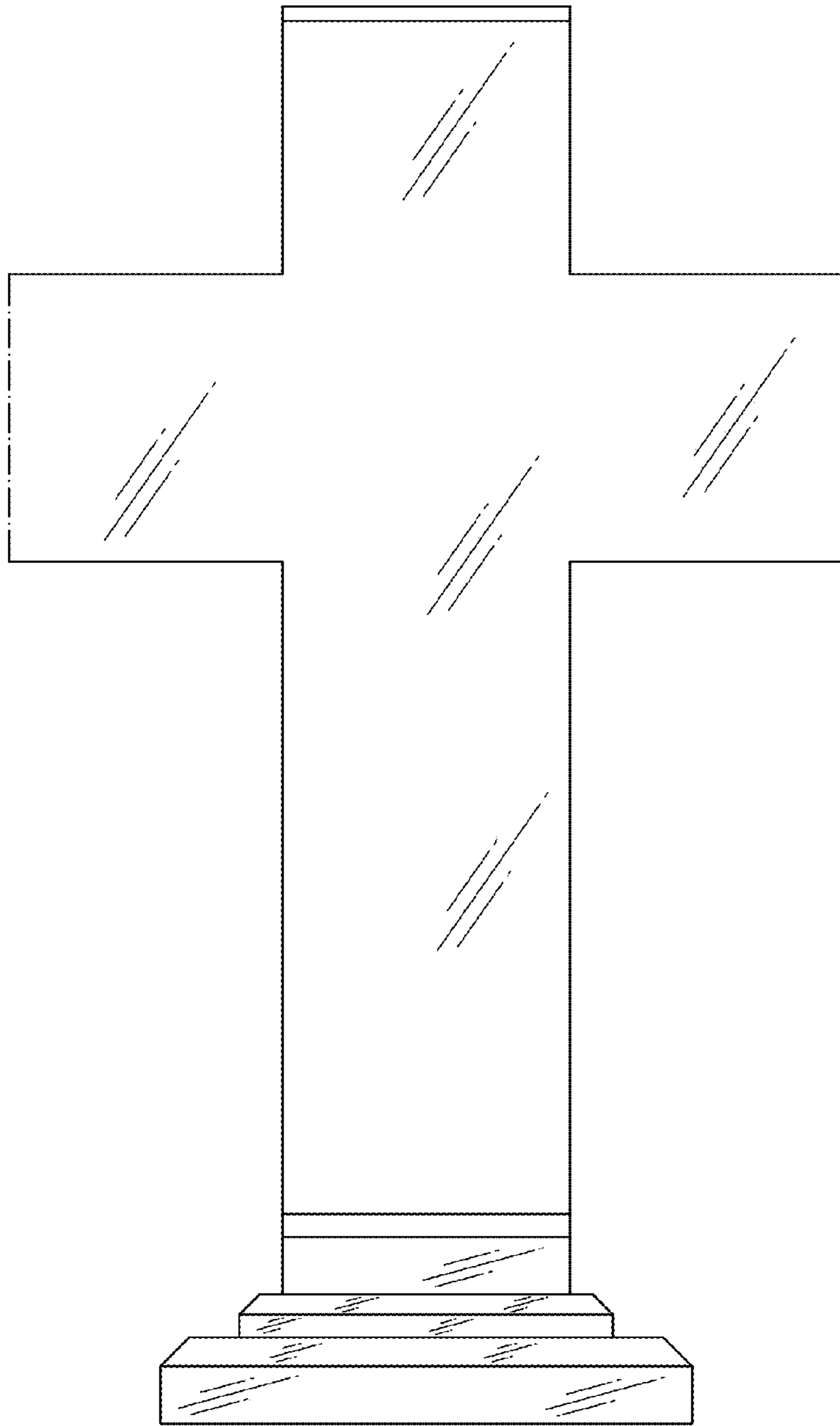


FIG. 11  
(NEW)

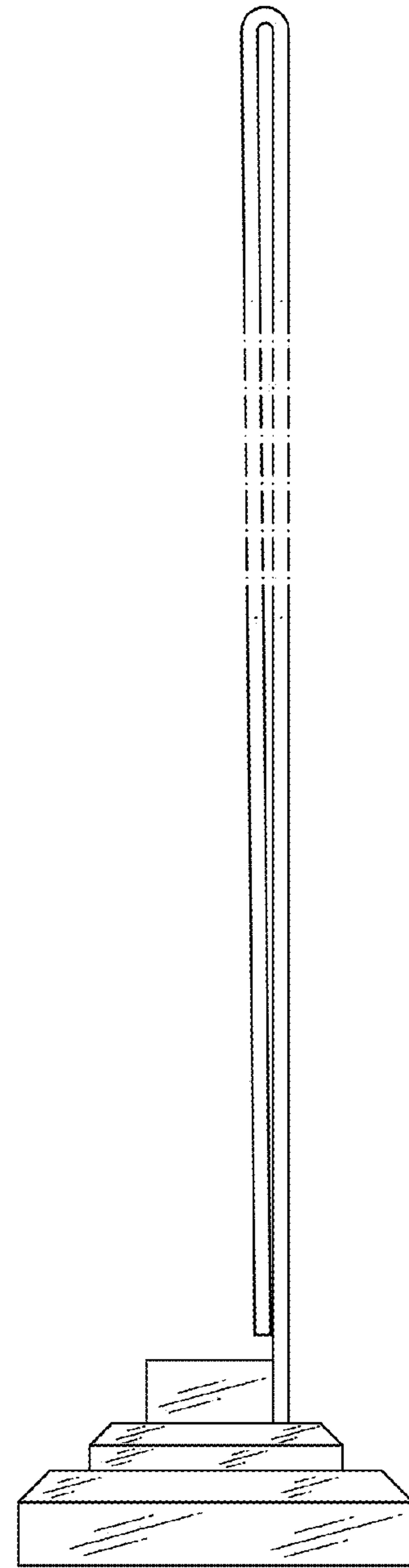


FIG. 12  
(NEW)

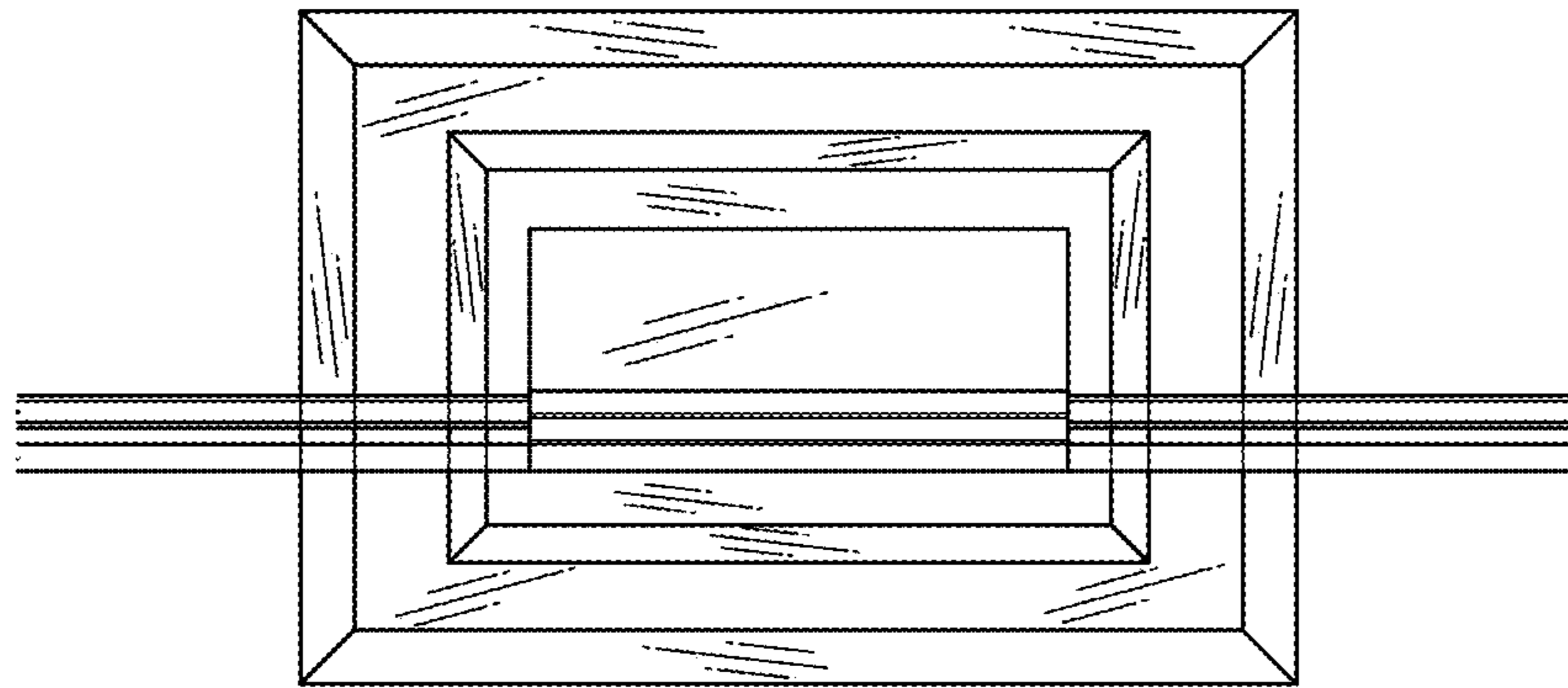


FIG. 13  
(NEW)

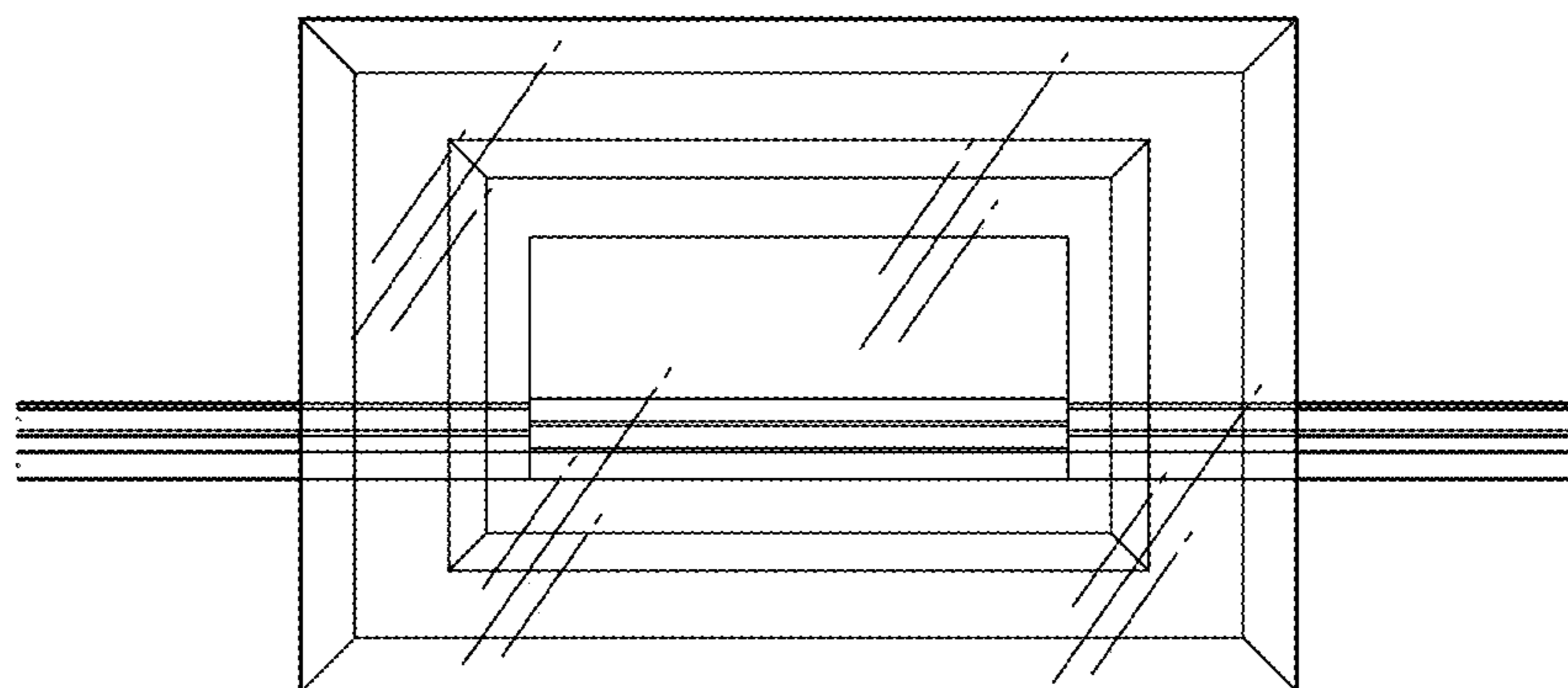


FIG. 14  
(NEW)