



US00RE45547E

(19) **United States**
(12) **Reissued Patent**
Andre et al.

(10) **Patent Number:** **US RE45,547 E**
(45) **Date of Reissued Patent:** **Jun. 9, 2015**

(54) **ELECTRONIC DEVICE**

D14/335, 337, 439, 447, 448, 450, 451, 452,
D14/126; 248/917-924, 371, 157, 176.1,
248/278.1; 341/12; 345/104, 156, 173, 174,
345/901-905; 348/180, 184, 325, 739;
349/1, 2, 11, 62

(75) Inventors: **Bartley K. Andre**, Menlo Park, CA (US); **Daniel J. Coster**, San Francisco, CA (US); **Daniele De Iuliis**, San Francisco, CA (US); **Richard P. Howarth**, San Francisco, CA (US); **Jonathan P. Ive**, San Francisco, CA (US); **Steve Jobs**, Palo Alto, CA (US); **Bruce H. Waltrous, Jr.**, legal representative, Cupertino, CA (US); **Duncan Robert Kerr**, San Francisco, CA (US); **Shin Nishibori**, San Francisco, CA (US); **Matthew Dean Rohrbach**, San Francisco, CA (US); **Douglas B. Satzger**, Menlo Park, CA (US); **Calvin Q. Seid**, Palo Alto, CA (US); **Vincent Keane Seid**, legal representative, Los Gatos, CA (US); **Christopher J. Stringer**, Woodside, CA (US); **Eugene Antony Whang**, San Francisco, CA (US)

See application file for complete search history.

(56) **References Cited**

U.S. PATENT DOCUMENTS

D289,873	S	5/1987	Gemmell et al.	D14/374
D294,262	S *	2/1988	Thies et al.	D14/375
D333,574	S *	3/1993	Ackeret	D6/300
D355,897	S *	2/1995	Nakanishi et al.	D14/373
D356,078	S *	3/1995	Usui et al.	D14/126
D356,081	S *	3/1995	Naito et al.	D14/129
D356,555	S *	3/1995	Takemasa et al.	D14/374
D422,575	S *	4/2000	Tikhonski et al.	D14/374
D428,415	S *	7/2000	Shibata	D14/356
D432,101	S *	10/2000	Oba	D14/126
D434,763	S	12/2000	Jobs et al.	D14/375
D453,022	S *	1/2002	Oba	D14/374
D456,023	S	4/2002	Andre et al.	D14/375
D458,252	S *	6/2002	Palm et al.	D14/343
D464,049	S *	10/2002	Goto	D14/374
D475,048	S *	5/2003	Wu et al.	D14/374
D476,335	S *	6/2003	Miao et al.	D14/375
D486,486	S	2/2004	Jobs et al.	D14/371
D487,893	S	3/2004	Jobs et al.	D14/371
D488,139	S *	4/2004	Takami et al.	D14/126
D489,370	S	5/2004	Jobs et al.	D14/371
D490,810	S *	6/2004	Huang	D14/374
D491,901	S *	6/2004	Chin et al.	D14/126
D494,971	S	8/2004	Jobs et al.	D14/371
D495,332	S	8/2004	Jobs et al.	D14/371
D496,040	S	9/2004	Jobs et al.	D14/371
D497,362	S *	10/2004	Wang et al.	D14/371
D504,889	S	5/2005	Andre et al.	D14/341
D529,026	S *	9/2006	Yang	D14/371
2003/0189155	A1 *	10/2003	Serbinski et al.	248/371

(73) Assignee: **Apple Inc.**, Cupertino, CA (US)

(21) Appl. No.: **29/366,469**

(22) Filed: **Jul. 26, 2010**

Related U.S. Patent Documents

Reissue of:

(64) Patent No.: **Des. 532,011**
Issued: **Nov. 14, 2006**
Appl. No.: **29/208,332**
Filed: **Jun. 24, 2004**

U.S. Applications:

(62) Division of application No. 29/327,929, filed on Nov. 14, 2008, which is an application for the reissue of Pat. No. Des. 532,011.

(51) **LOC (10) Cl.** **14-02**

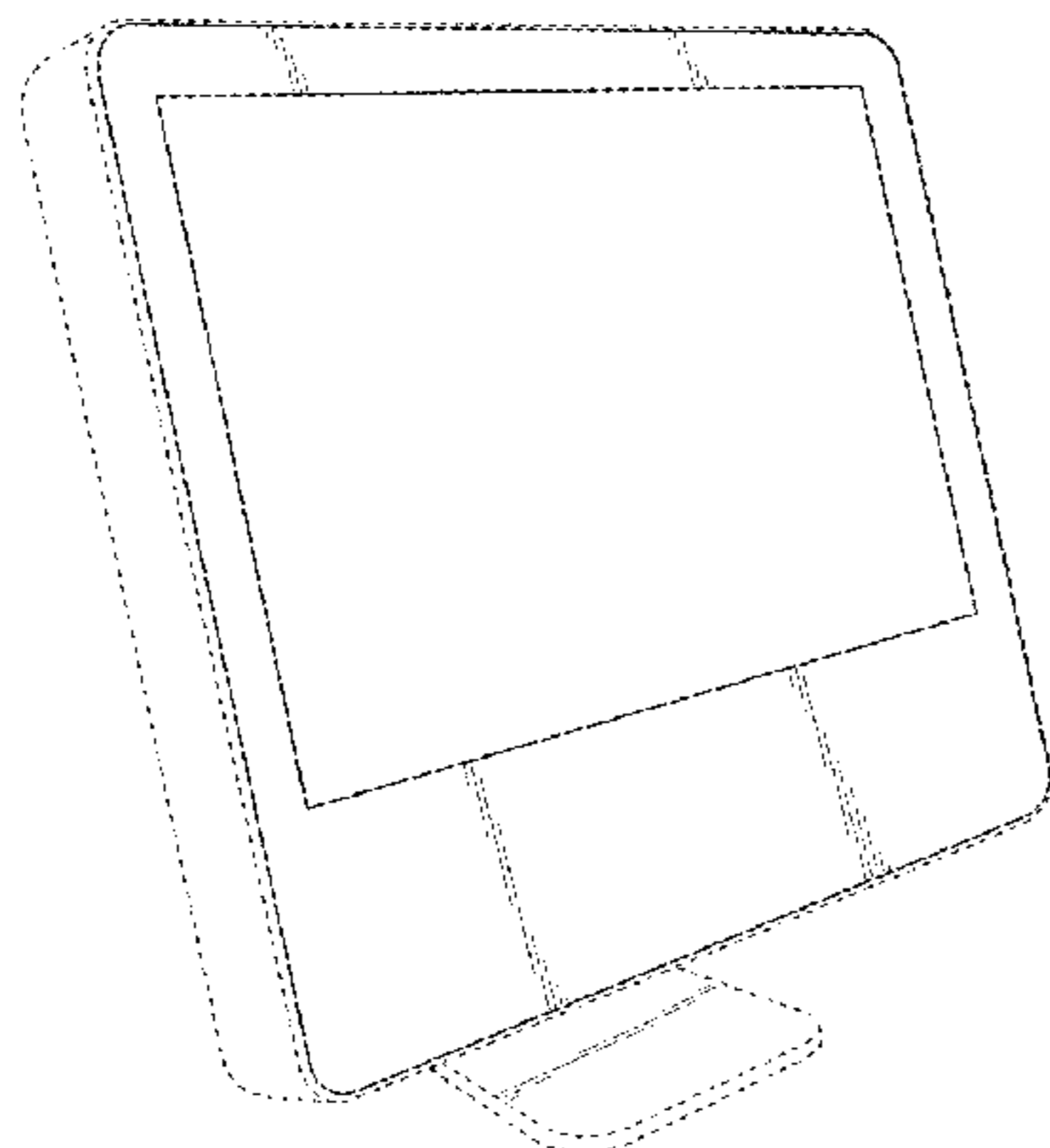
(52) **U.S. Cl.**
USPC **D14/375**

(58) **Field of Classification Search**
USPC D14/371-376, 125, 129, 356, 336, 334,

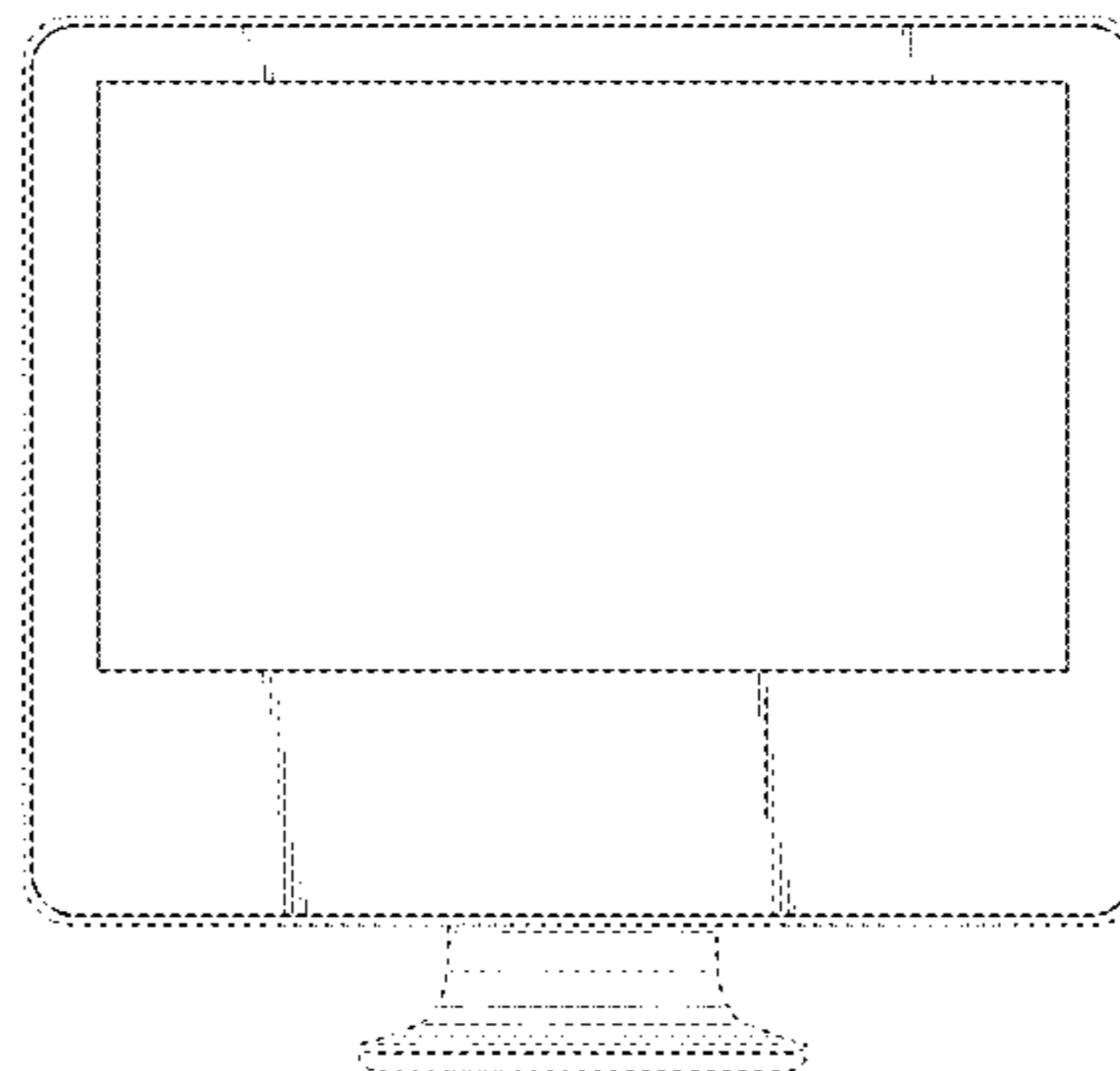
OTHER PUBLICATIONS

U.S. Appl. No. 29/208,301, filed Jun. 24, 2004.

* cited by examiner



(new)



(new)

Primary Examiner — Deanna L Pratt
(74) Attorney, Agent, or Firm — SAIDMAN DesignLaw Group

(57) **CLAIM**
We claim the ornamental design for a electronic device, substantially as shown and described.

DESCRIPTION

Notice: More than one reissue application has been filed for the reissue of Pat. No. D532,011. The reissue applications are application numbers 29/366,469 (the present application), 29/327,929, filed Nov. 14, 2008, 29/366,475 filed Jul. 26, 2010, 29/366,476 filed Jul. 26, 2010, 29/366,477 filed Jul. 26, 2010, 29/366,480 filed Jul. 26, 2010, and 29/366,481 filed Jul. 26, 2010, all of which are divisional reissues of Pat. No. D532,011.

This is a reissue application of our prior U.S. Pat. No. D532,011, having an issue date of Nov. 14, 2006, the entirety of which is expressly incorporated herein by reference.

[FIG. 1 is a front perspective view of an electronic device in accordance with the present design. The electronic device may correspond to a display device or computer that incorporates a processor and a display device into a single housing;]

[FIG. 2 is a rear perspective view thereof;]

[FIG. 3 is a front view thereof;]

[FIG. 4 is a rear view thereof;]

[FIG. 5 is a top view thereof;]

[FIG. 6 is a bottom view thereof;]

[FIG. 7 is a right side view thereof; and,]

[FIG. 8 is a left side view thereof.]

FIG. 9 is a front perspective view of an electronic device showing our new design;

FIG. 10 is a rear perspective view thereof;

FIG. 11 is a front view thereof;

FIG. 12 is a rear view thereof;

FIG. 13 is a top view thereof;

FIG. 14 is a bottom view thereof;

FIG. 15 is a right side view thereof; and,

FIG. 16 is a left side view thereof.

[The broken lines are shown in the views for illustrative purposes only and form no part of the claimed design.]

The broken lines illustrate environmental structure and form no part of the claimed design.

1 Claim, 10 Drawing Sheets

Matter enclosed in heavy brackets [] appears in the original patent but forms no part of this reissue; matter printed in italics indicates the additions made by reissue.

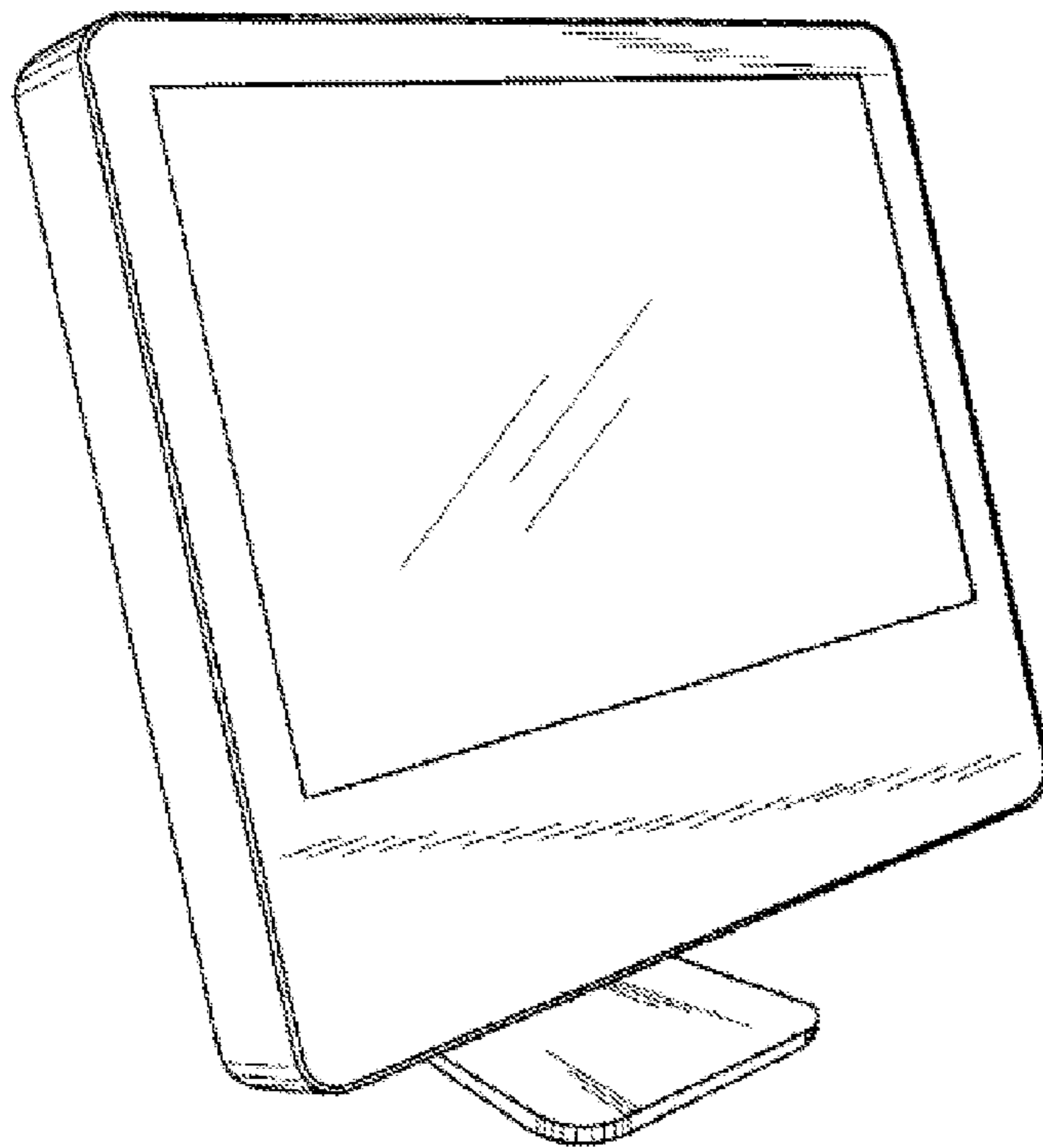


Fig. 1 (canceled)

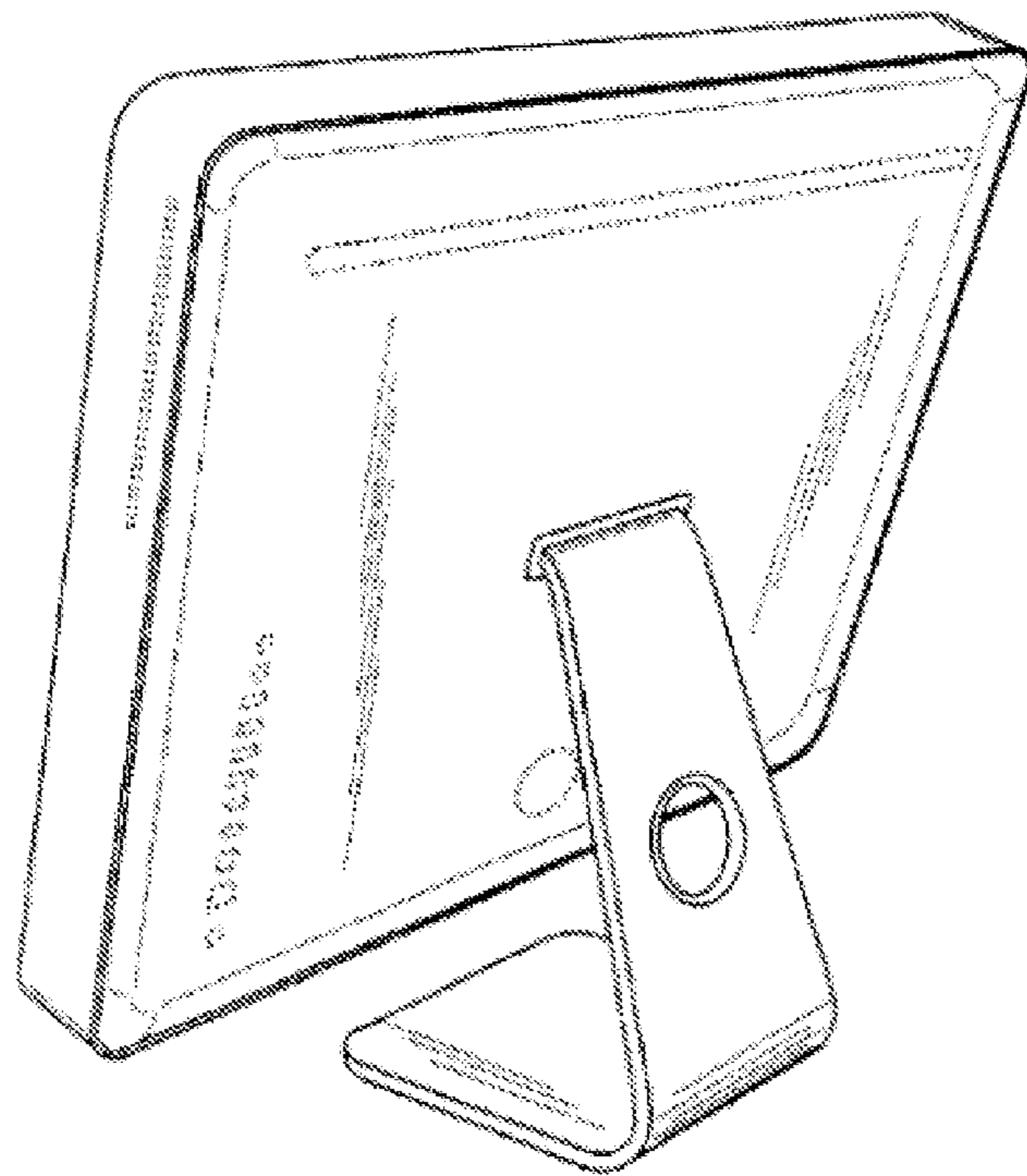


Fig. 2 (canceled)

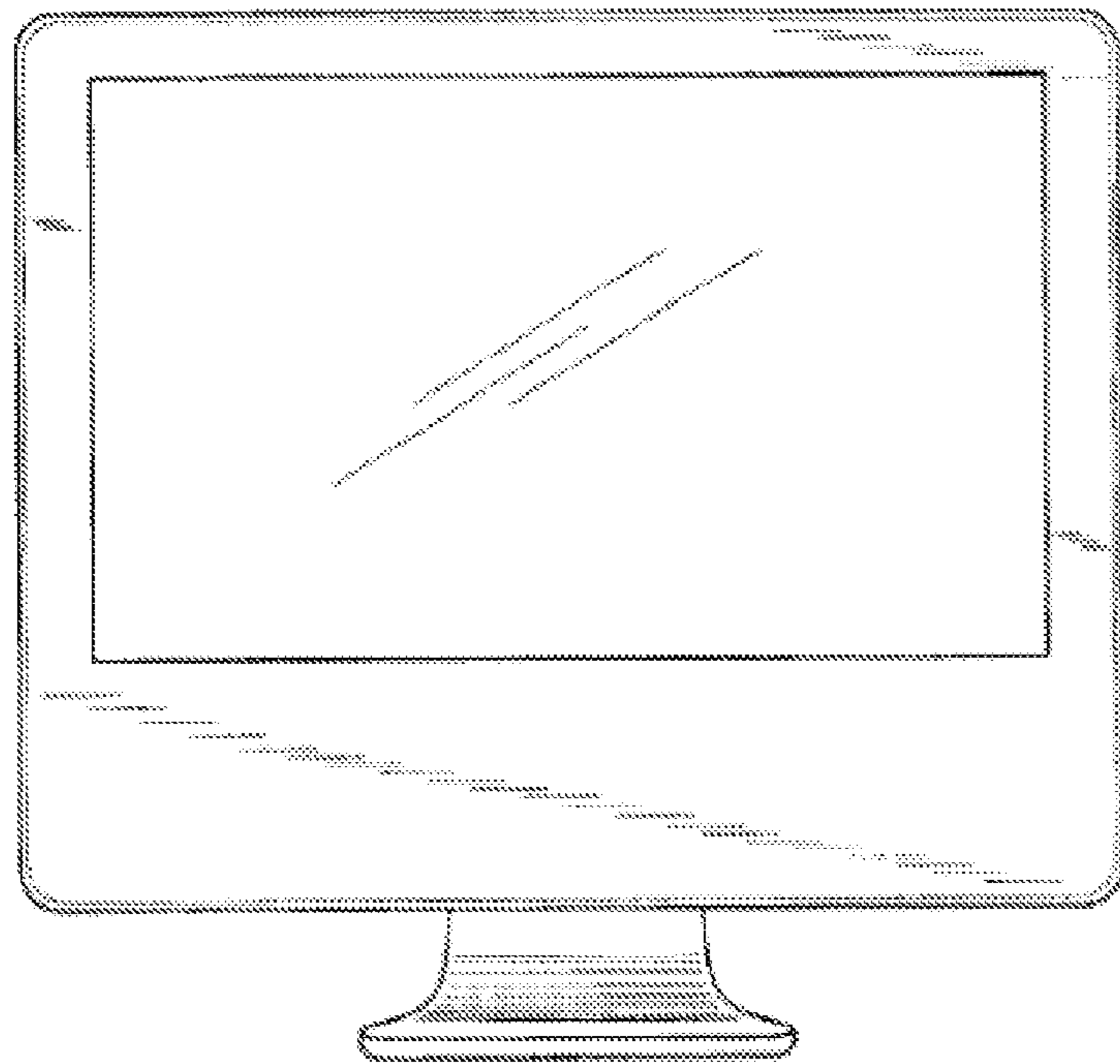


Fig. 3 (canceled)

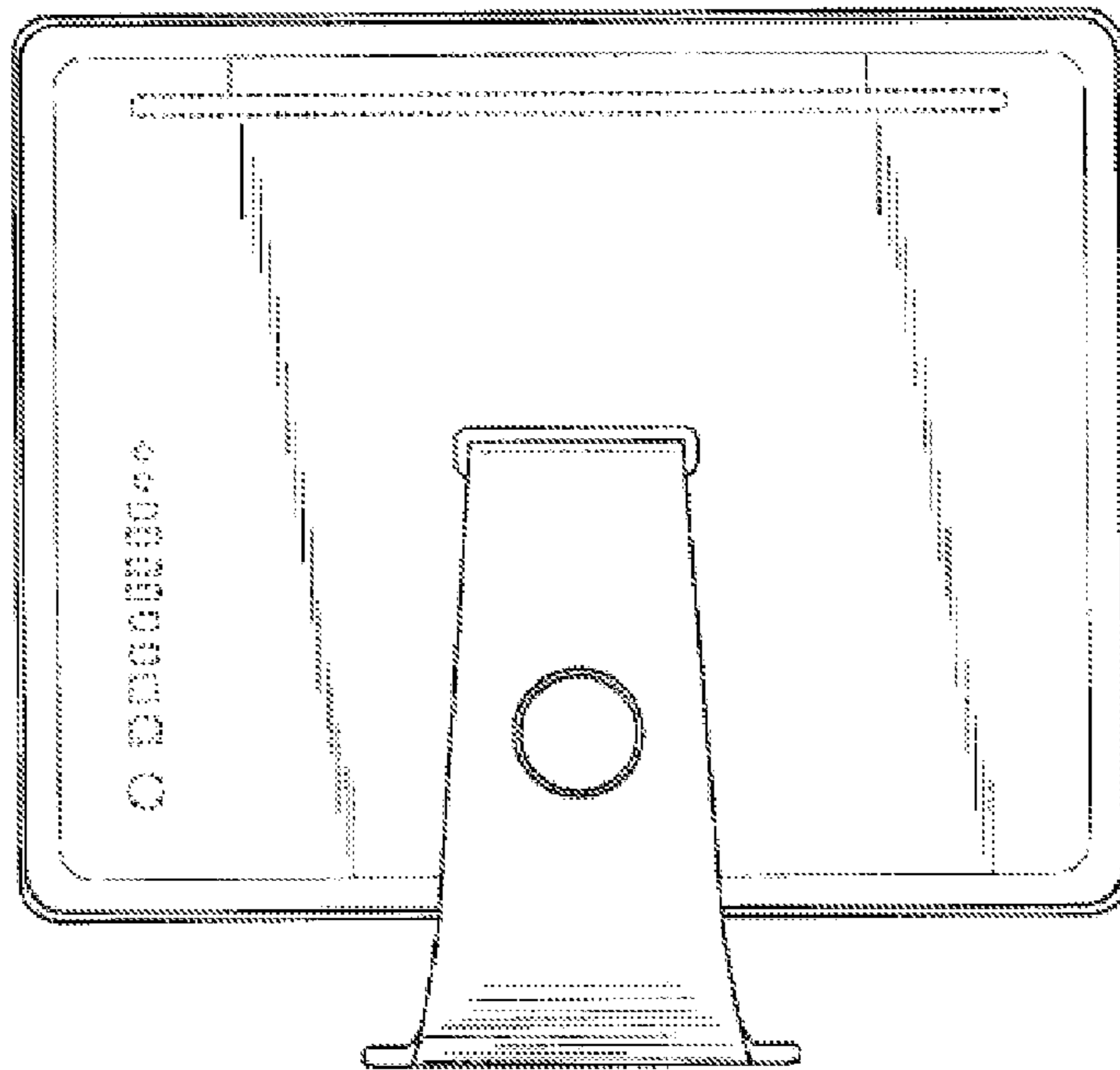


Fig. 4 (canceled)

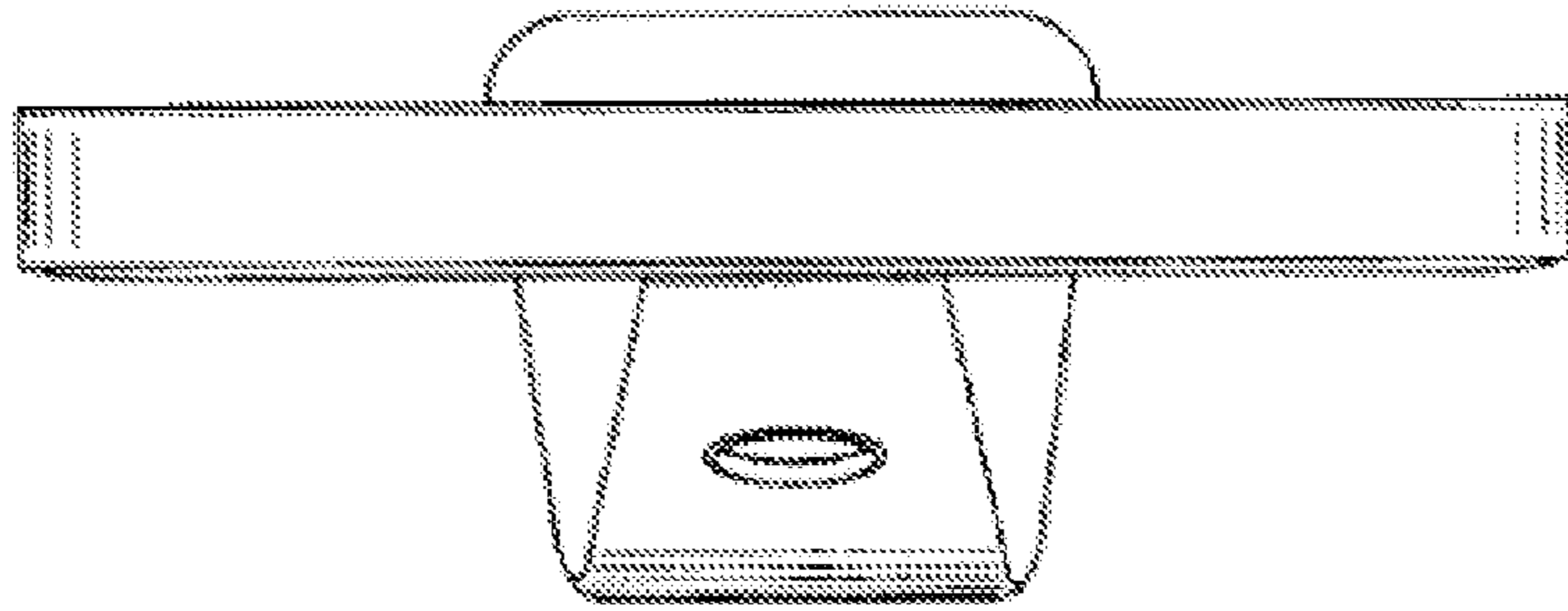


Fig. 5 (canceled)

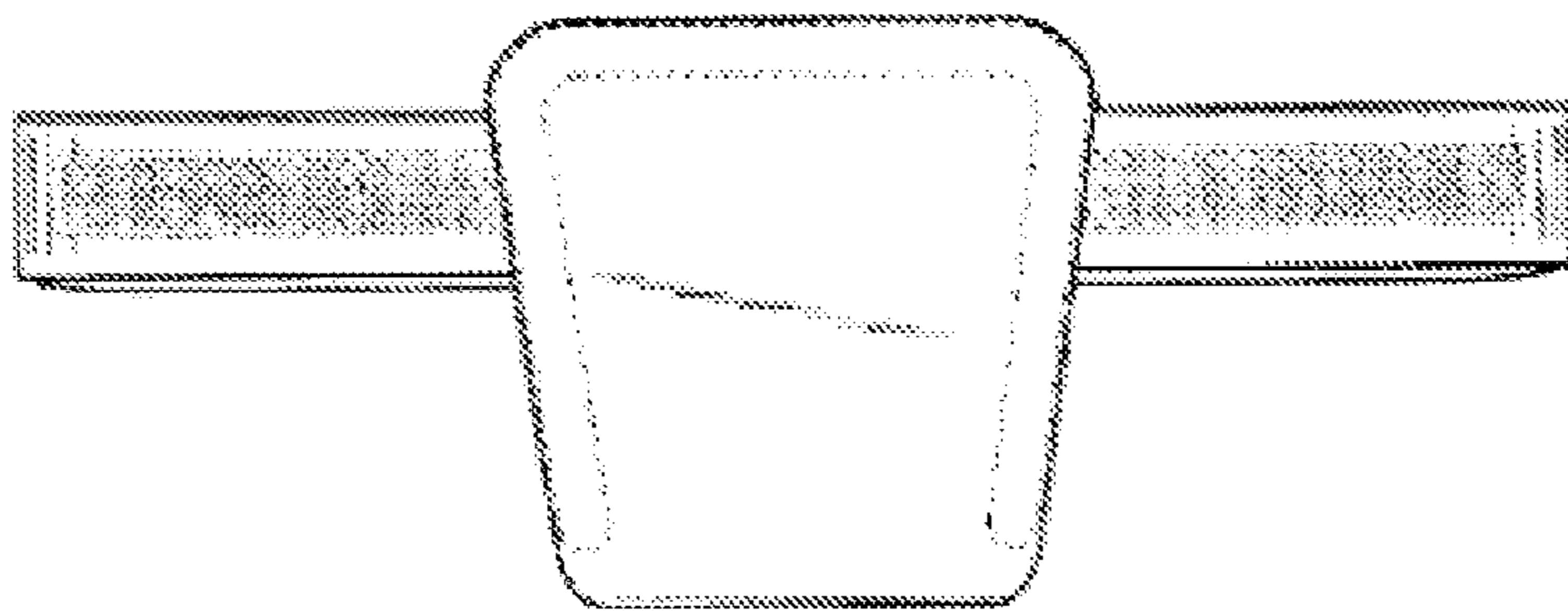


Fig. 6 (canceled)

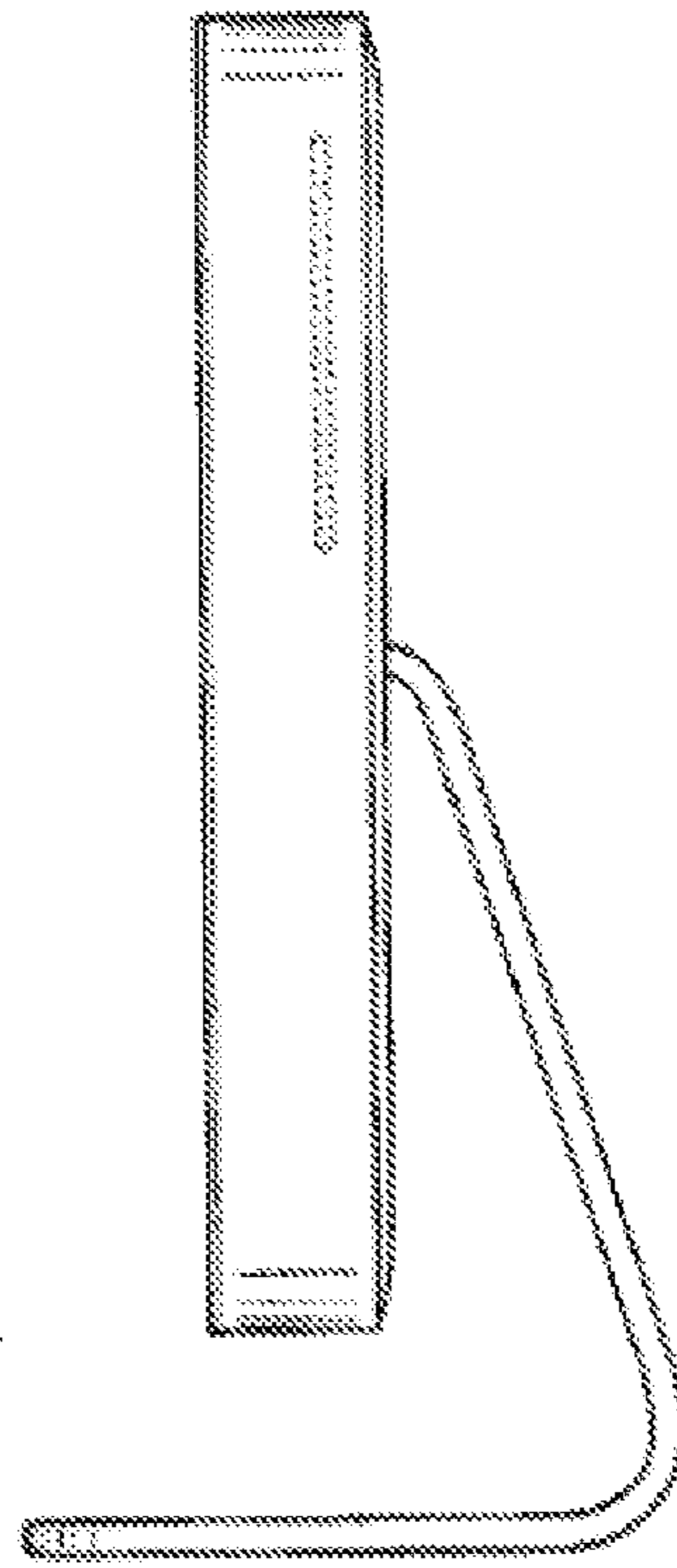


Fig. 7 (canceled)

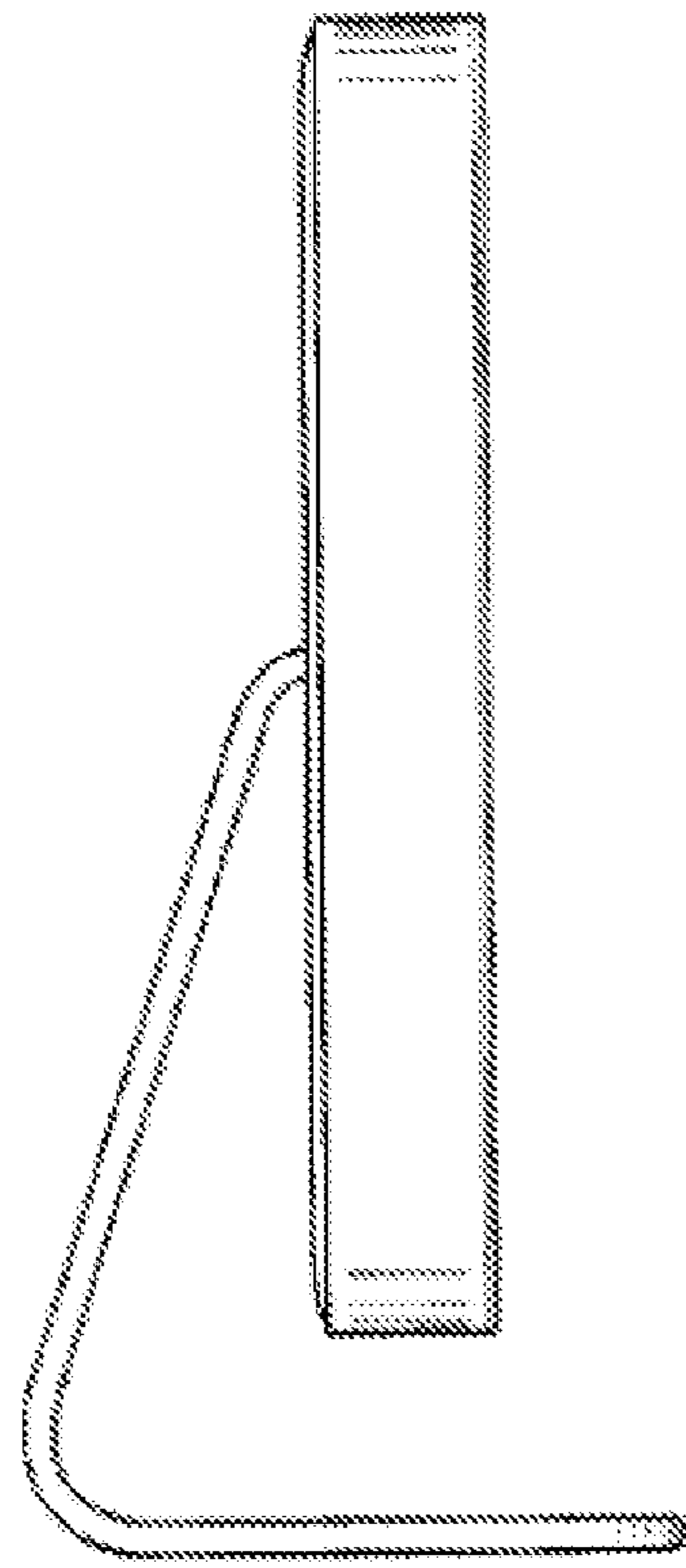


Fig. 8 (canceled)

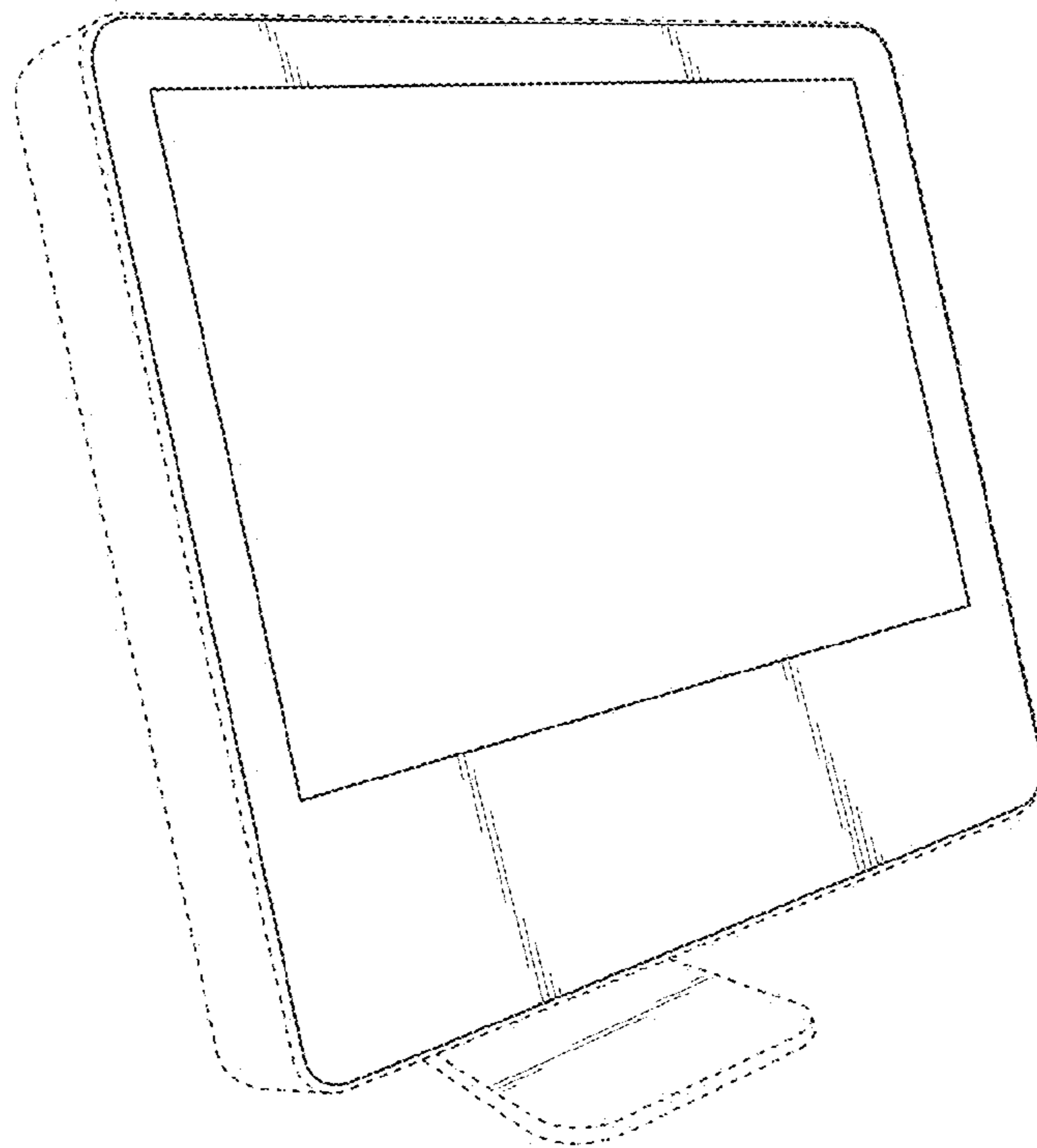


Fig. 9 (new)

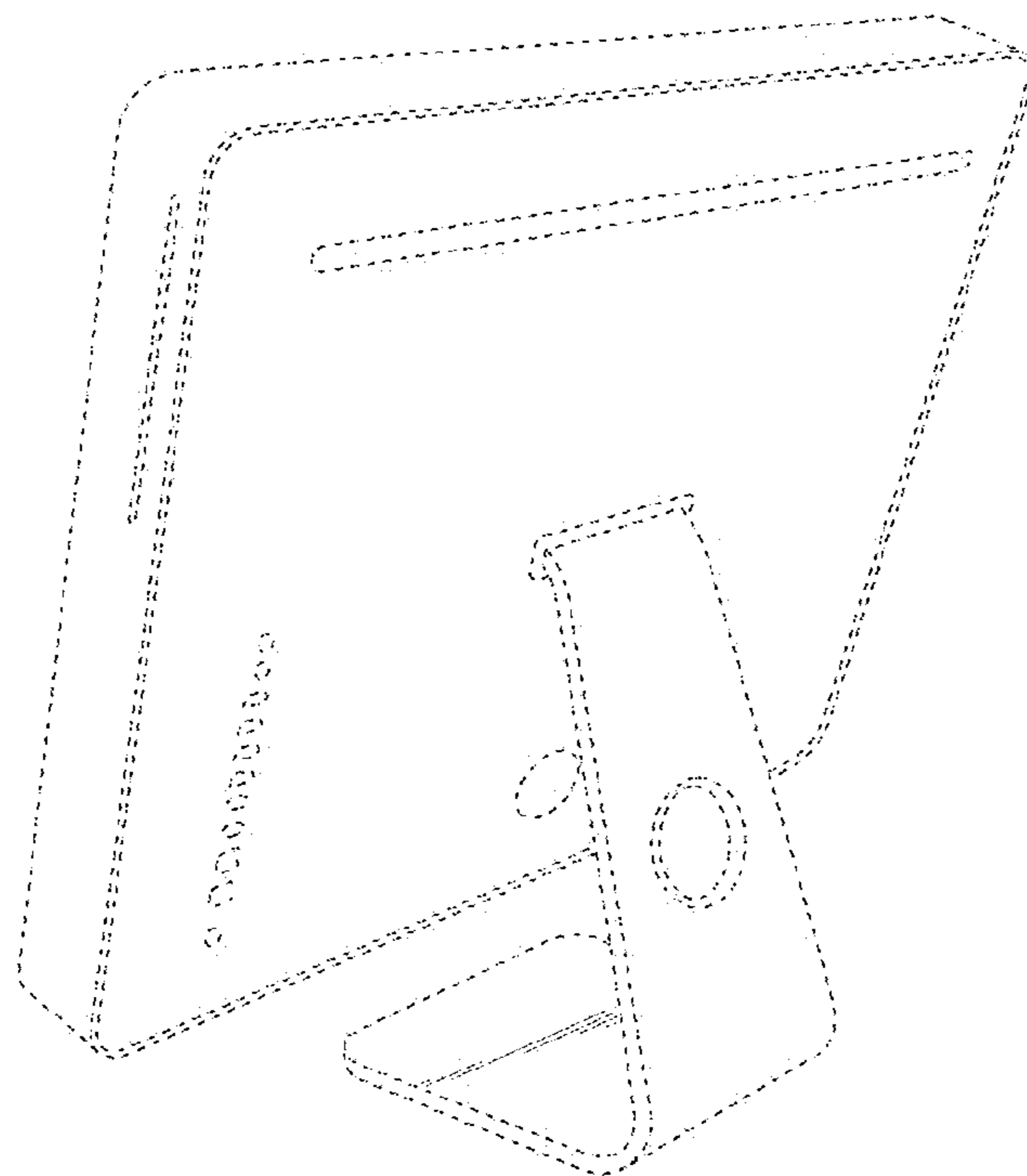


Fig. 10 (new)

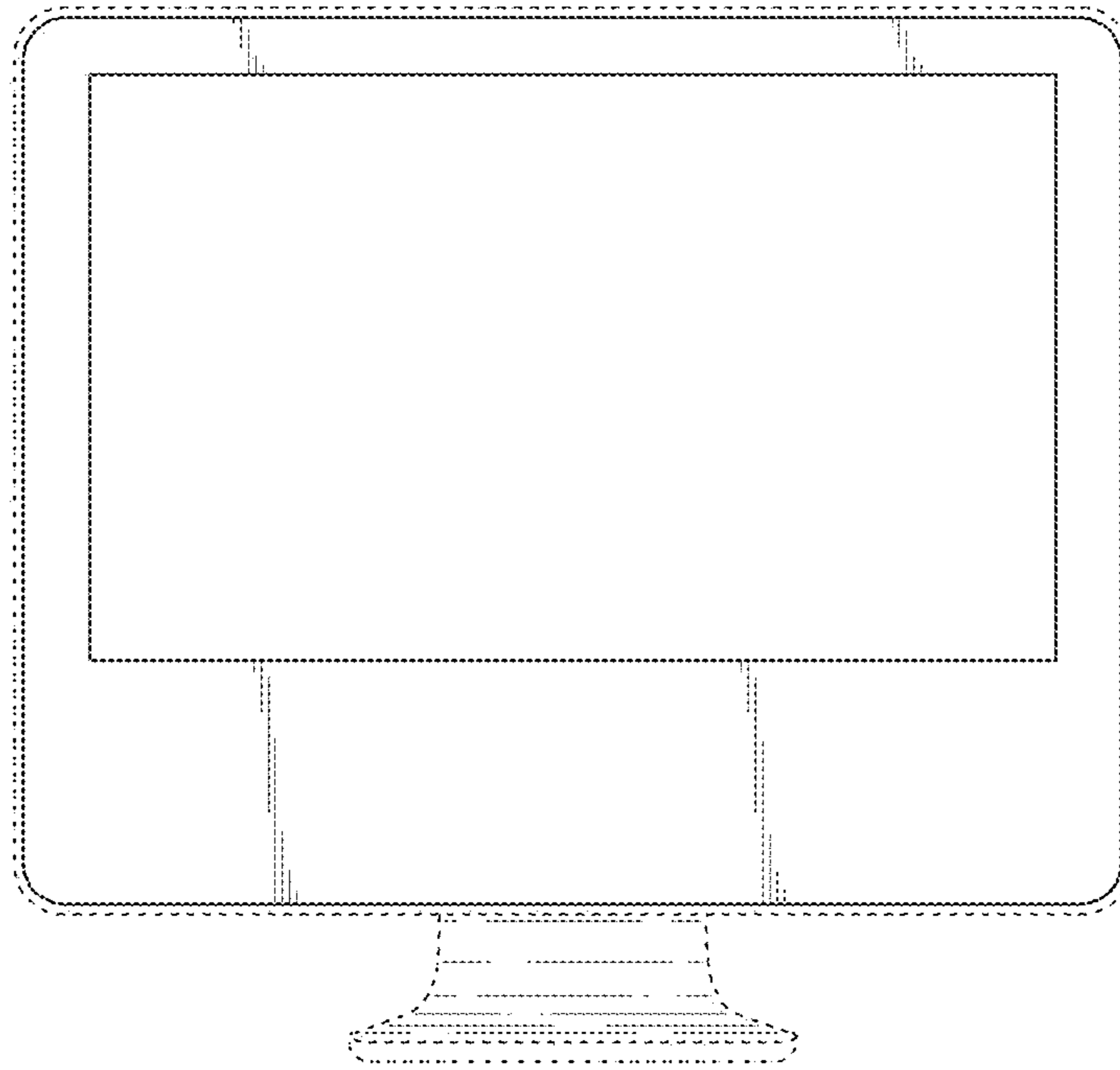


Fig. 11 (new)

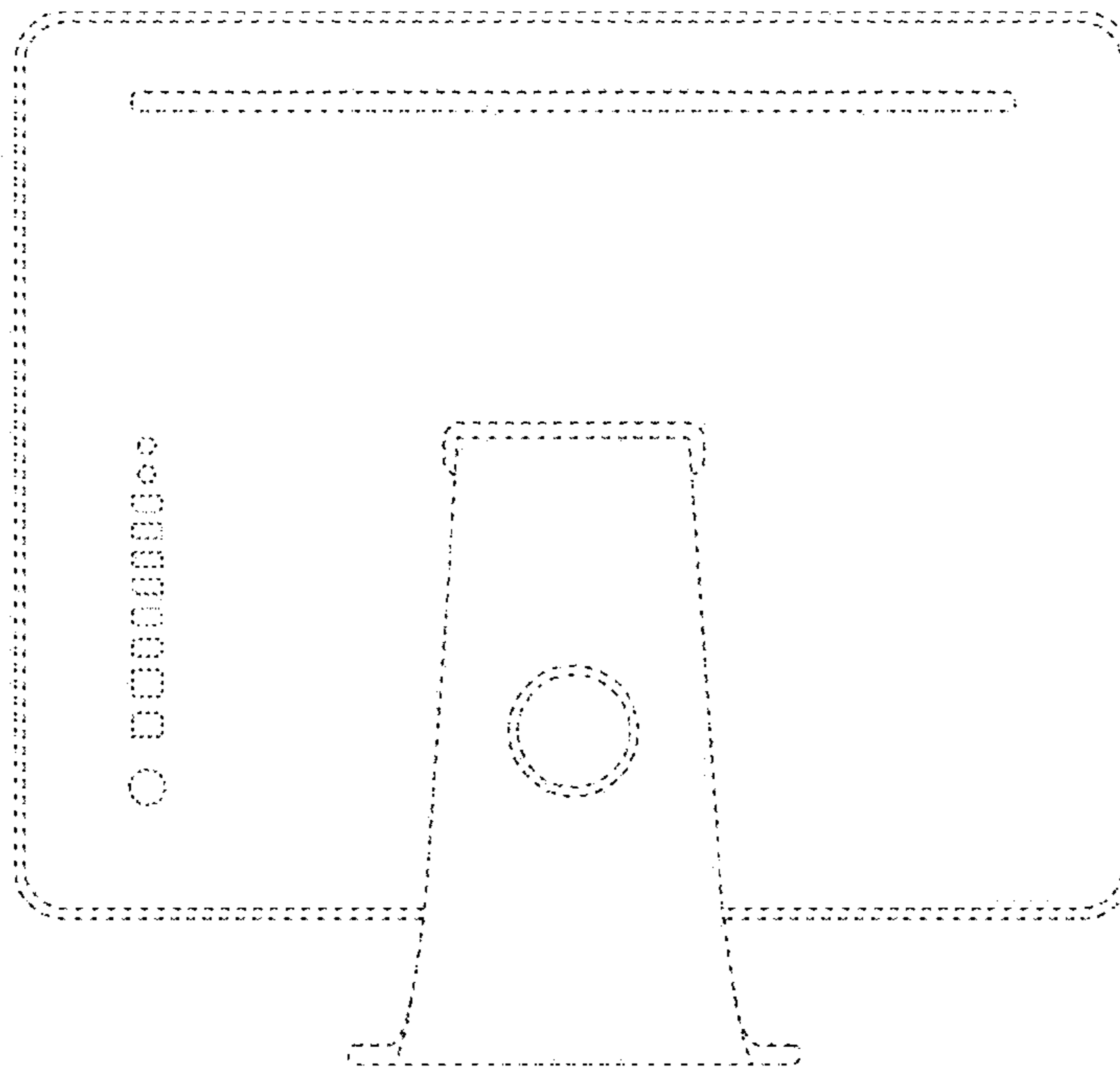


Fig. 12 (new)

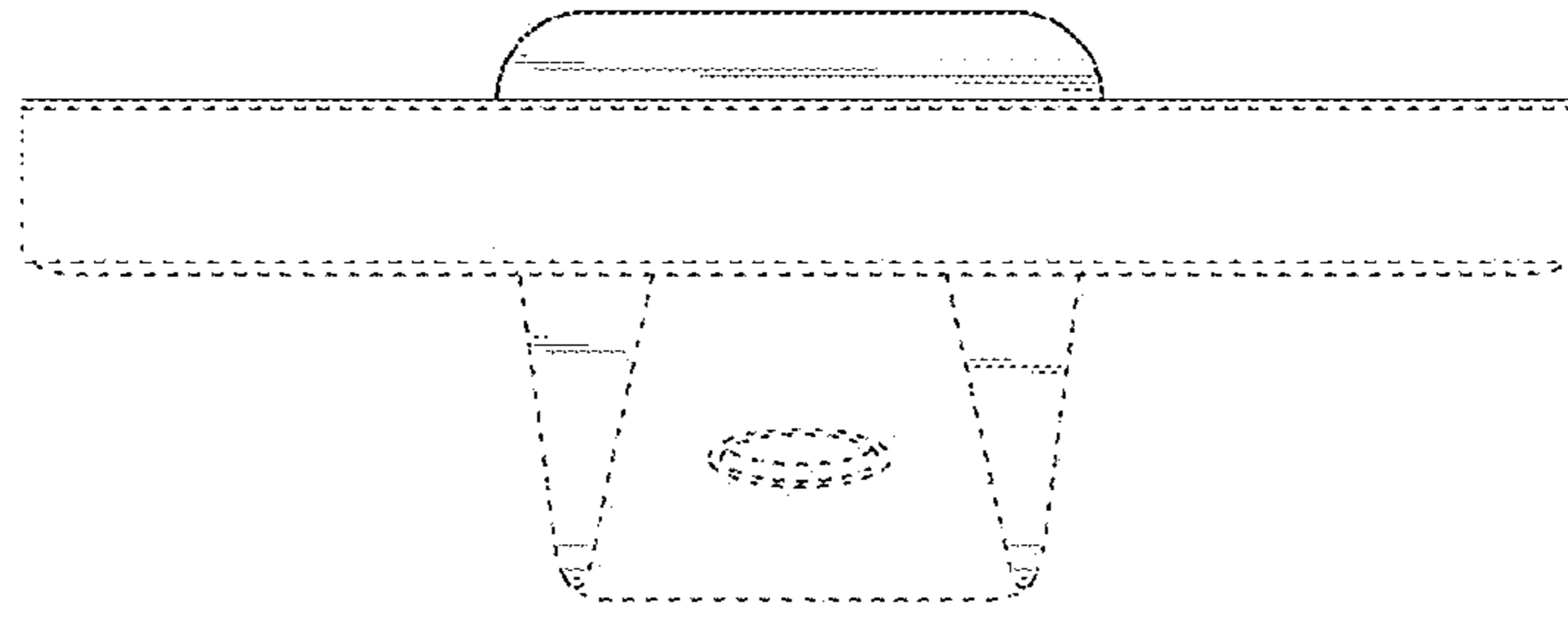


Fig. 13 (new)

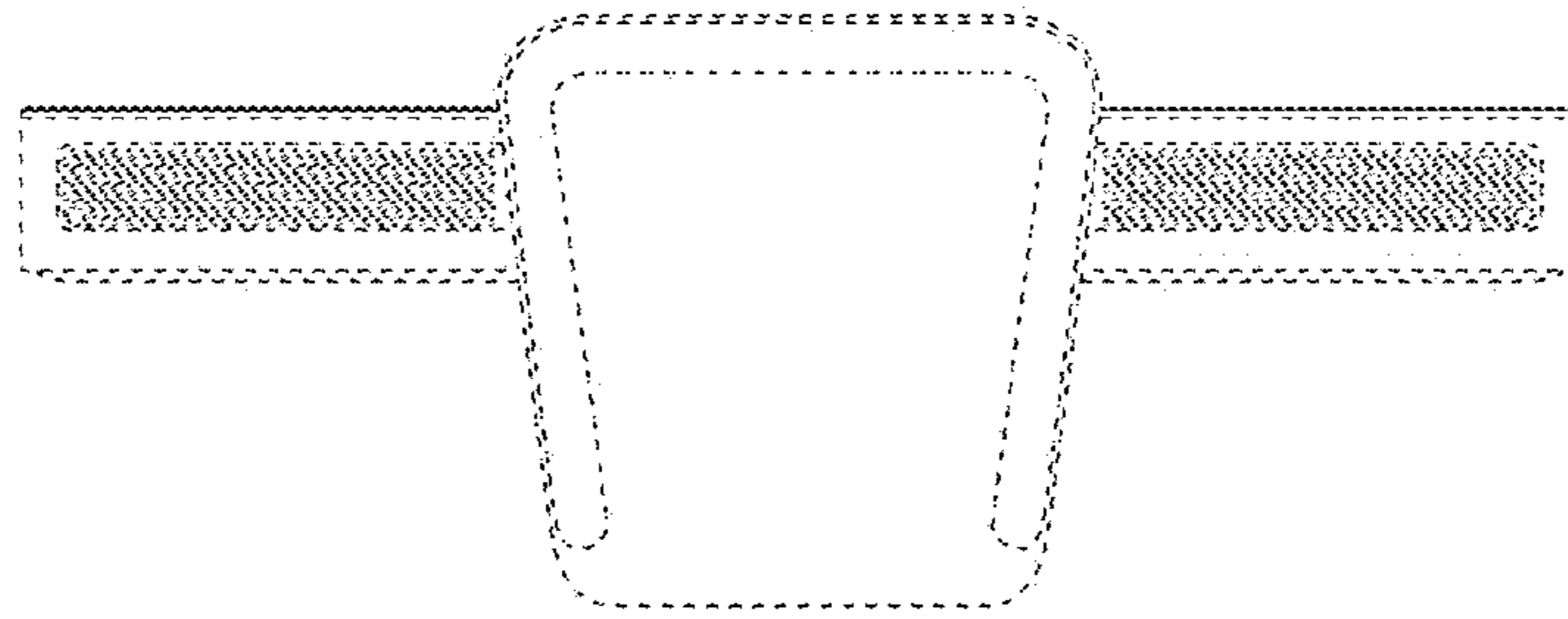


Fig. 14 (new)

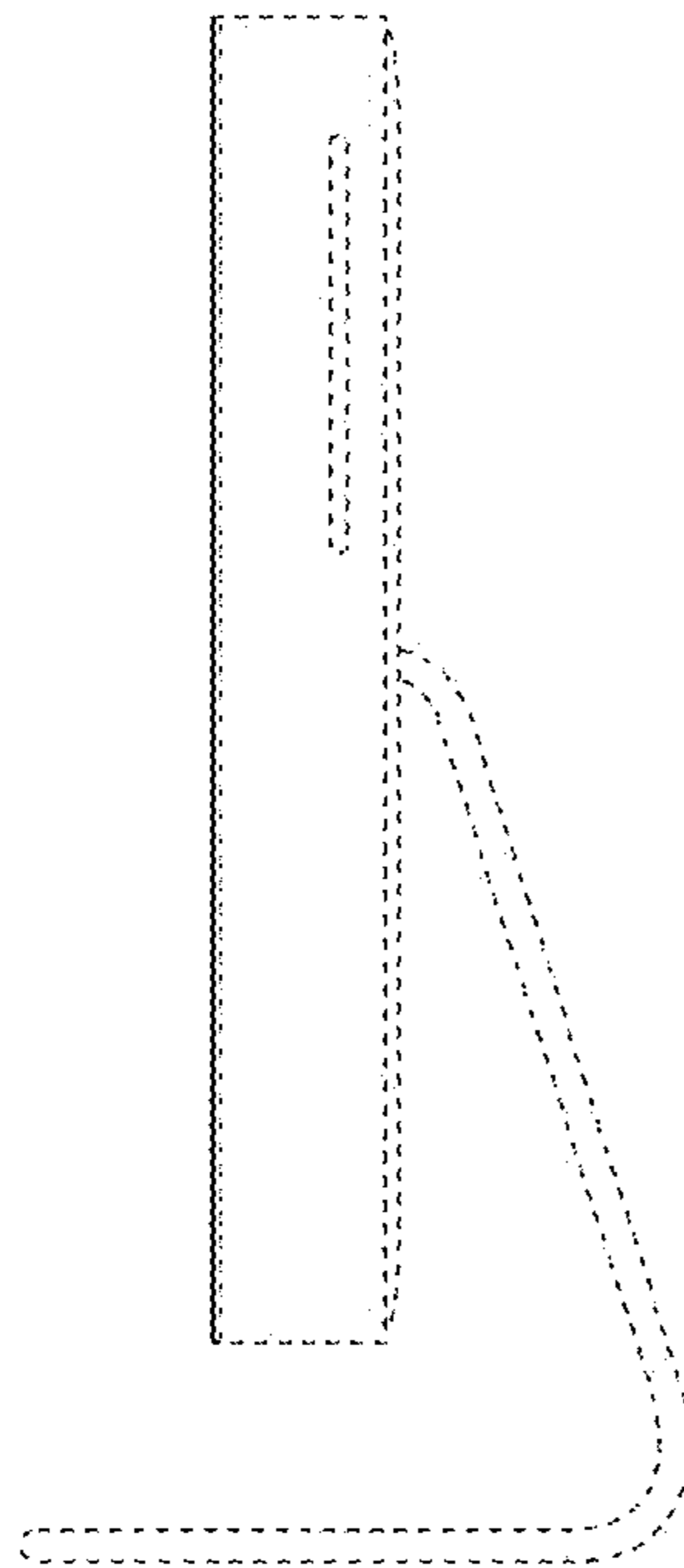


Fig. 15 (new)

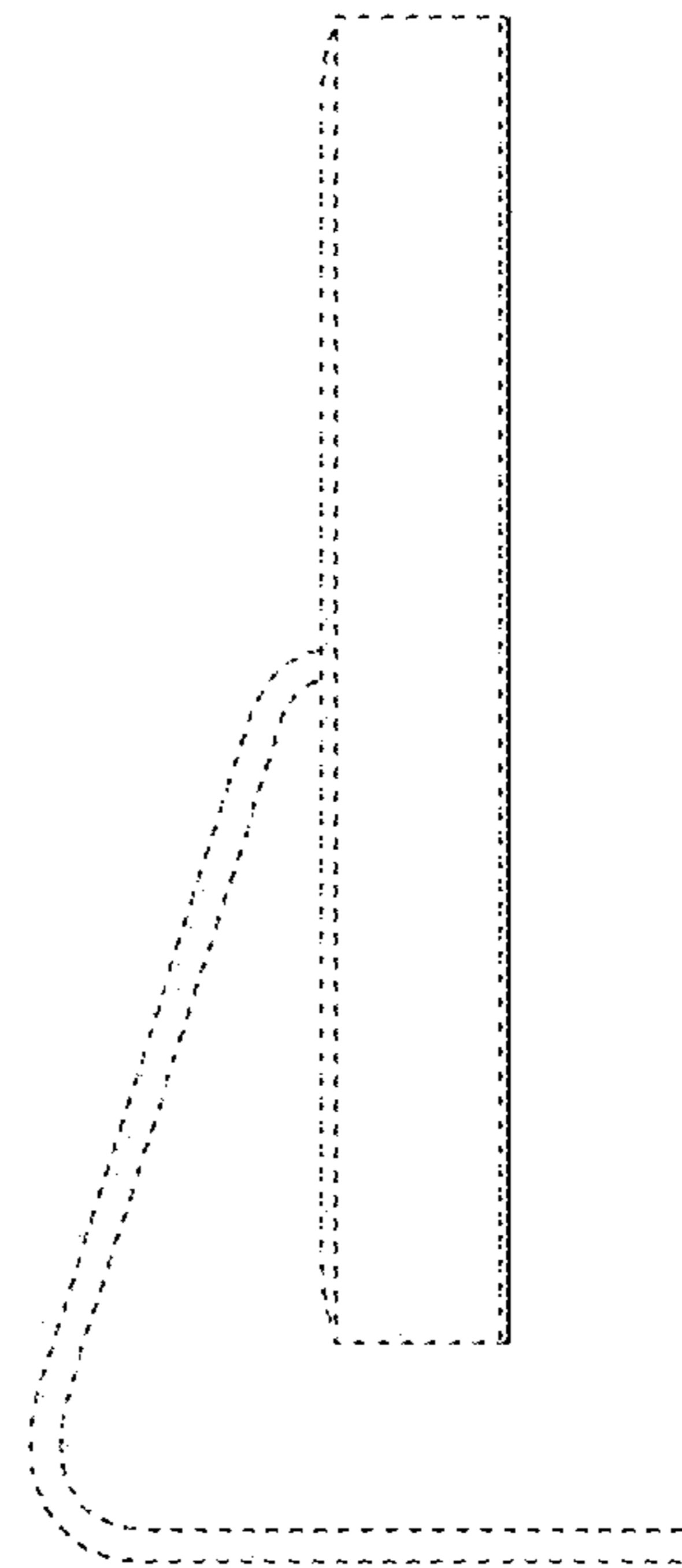


Fig. 16 (new)