

US00RE45474E

(19) **United States**
(12) **Reissued Patent**
Andre et al.

(10) **Patent Number:** **US RE45,474 E**
(45) **Date of Reissued Patent:** **Apr. 21, 2015**

(54) **ELECTRONIC DEVICE**

D14/126, 457, 251, 253; 248/917-924, 371,
248/157, 176.1, 278.1; 341/12; 345/104,
345/156, 173, 174, 901-905; 348/180, 184,
348/325, 739; 349/1, 2, 11, 62; D19/90, 91;
D6/310

(75) Inventors: **Bartley K. Andre**, Palo Alto, CA (US);
Daniel J. Coster, San Francisco, CA
(US); **Daniele De Iuliis**, San Francisco,
CA (US); **Richard P. Howarth**, San
Francisco, CA (US); **Jonathan P. Ive**,
San Francisco, CA (US); **Steven P. Jobs**,
Palo Alto, CA (US); **BJ Watrous**, legal
representative, Cupertino, CA (US);
Duncan Robert Kerr, San Francisco,
CA (US); **Shin Nishibori**, Kailua, HI
(US); **Matthew Dean Rohrbach**, San
Francisco, CA (US); **Douglas B.**
Satzger, San Francisco, CA (US);
Calvin Q. Seid, Palo Alto, CA (US);
Vincent Keane Seid, legal
representative, Los Gatos, CA (US);
Christopher J. Stringer, Woodside, CA
(US); **Eugene Antony Whang**, San
Francisco, CA (US)

See application file for complete search history.

(56)

References Cited

U.S. PATENT DOCUMENTS

D108,457	S	*	2/1938	Rhode	D6/310
D137,047	S	*	1/1944	Halpern	D6/310
D141,410	S	*	5/1945	Meyers	D27/184
4,073,460	A	*	2/1978	Dale	248/441.1
D251,426	S	*	3/1979	Molyneux	D14/229
D289,873	S		5/1987	Gemmell et al.		
D294,262	S	*	2/1988	Thies et al.	D14/375
D314,013	S	*	1/1991	Rowe	D19/76
D320,121	S	*	9/1991	Krapf	D6/420
D356,555	S	*	3/1995	Takemasa et al.	D14/374
D408,383	S	*	4/1999	Carter et al.	D14/374
D413,110	S	*	8/1999	Sweere et al.	D14/447
D421,274	S	*	2/2000	Kreimer et al.	D19/90
D428,415	S	*	7/2000	Shibata	D14/356
D432,101	S	*	10/2000	Oba	D14/126
D433,021	S	*	10/2000	Shibata	D14/356
D434,763	S		12/2000	Jobs et al.	D14/375
D448,030	S	*	9/2001	Park	D14/374
D448,031	S	*	9/2001	Goetz	D14/374
D453,022	S	*	1/2002	Oba	D14/374
D455,755	S	*	4/2002	Levine et al.	D14/447
D456,023	S	*	4/2002	Andre et al.	D14/375
D464,049	S	*	10/2002	Goto	D14/374
D476,335	S	*	6/2003	Miao et al.	D14/375
D486,486	S		2/2004	Jobs et al.		
D487,893	S		3/2004	Jobs et al.		
D488,139	S	*	4/2004	Takami et al.	D14/126
D489,370	S	*	5/2004	Jobs et al.		
D491,901	S	*	6/2004	Chin et al.	D14/126
D494,971	S		8/2004	Jobs et al.		
D495,332	S		8/2004	Jobs et al.		
D496,040	S		9/2004	Jobs et al.		
D504,889	S		5/2005	Andre et al.		
D531,179	S	*	10/2006	Yamashiro et al.	D14/375
2003/0189155	A1	*	10/2003	Serbinski et al.	248/371

(73) Assignee: **Apple Inc.**, Cupertino, CA (US)

(21) Appl. No.: **29/366,477**

(22) Filed: **Jul. 26, 2010**

Related U.S. Patent Documents

Reissue of:

(64) Patent No.: **Des. 532,011**
Issued: **Nov. 14, 2006**
Appl. No.: **29/208,332**
Filed: **Jun. 24, 2004**

U.S. Applications:

(62) Division of application No. 29/327,929, filed on Nov. 14, 2008, which is an application for the reissue of Pat. No. Des. 532,011.

(51) **LOC (10) Cl.** **14-02**

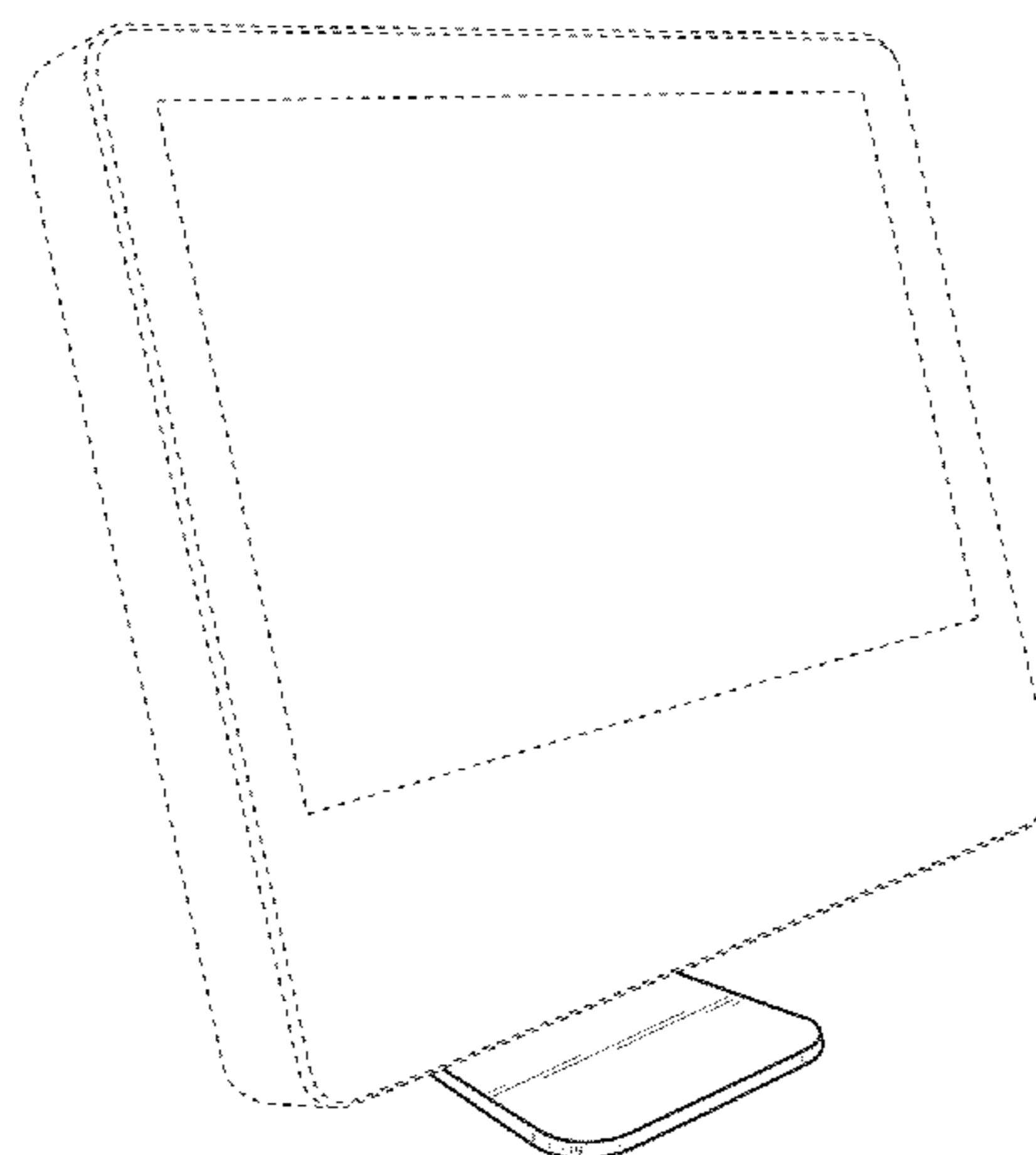
(52) **U.S. Cl.**
USPC **D14/375**

(58) **Field of Classification Search**
USPC D14/371-376, 125, 129, 356, 336, 334,
D14/335, 337, 439, 447, 448, 450, 451, 452,

OTHER PUBLICATIONS

U.S. Appl. No. 29/208,301, filed Jun. 24, 2004.

* cited by examiner



Primary Examiner — Deanna L Pratt
(74) Attorney, Agent, or Firm — Saidman DesignLaw
Group, LLC

(57) **CLAIM**
We claim the ornamental design for a electronic device, sub-
stantially as shown and described.

DESCRIPTION

Notice: More than one reissue application has been filed for the reissue of U.S. Pat. No. D532,011. The reissue applications are application Ser. No. 29/366,477 (the present application), Ser. No. 29/327,929, filed Nov. 14, 2008, Ser. No. 29/366,469, filed Jul. 26, 2010, Ser. No. 29/366,475, filed Jul. 26, 2010, Ser. No. 29/366,476, filed Jul. 26, 2010, Ser. No. 29/366,480, filed Jul. 26, 2010, and Ser. No. 29/366,481, filed Jul. 26, 2010, all of which are divisional reissues of U.S. Pat. No. D532,011.

[FIG. 1 is a front perspective view of an electronic device in accordance with the present design. The electronic device may correspond to a display device or computer that incorporates a processor and a display device into a single housing;]

[FIG. 2 is a rear perspective view thereof;]

[FIG. 3 is a from view thereof;]

[FIG. 4 is a rear view thereof;]

[FIG. 5 is a top view thereof;]

[FIG. 6 is a bottom view thereof;]

[FIG. 7 is a right side view thereof; and,]

[FIG. 8 is a left side view thereof.]

FIG. 9 is a front perspective view of an electronic device showing our new design;

FIG. 10 is a rear perspective view thereof;

FIG. 11 is front view thereof;

FIG. 12 is a rear view thereof;

FIG. 13 is a top view thereof;

FIG. 14 is a bottom view thereof;

FIG. 15 is a right side view thereof; and,

FIG. 16 is a left side view thereof.

The broken lines are shown in the views for illustrative purposes only and form no part of the claimed design.

The dotted broken lines illustrate environmental structure and form no part of the claimed design.

The dot-dot-dash broken lines represent an unclaimed boundary and form no part of the claimed design.

1 Claim, 3 Drawing Sheets

Matter enclosed in heavy brackets [] appears in the original patent but forms no part of this reissue; matter printed in italics indicates the additions made by reissue.

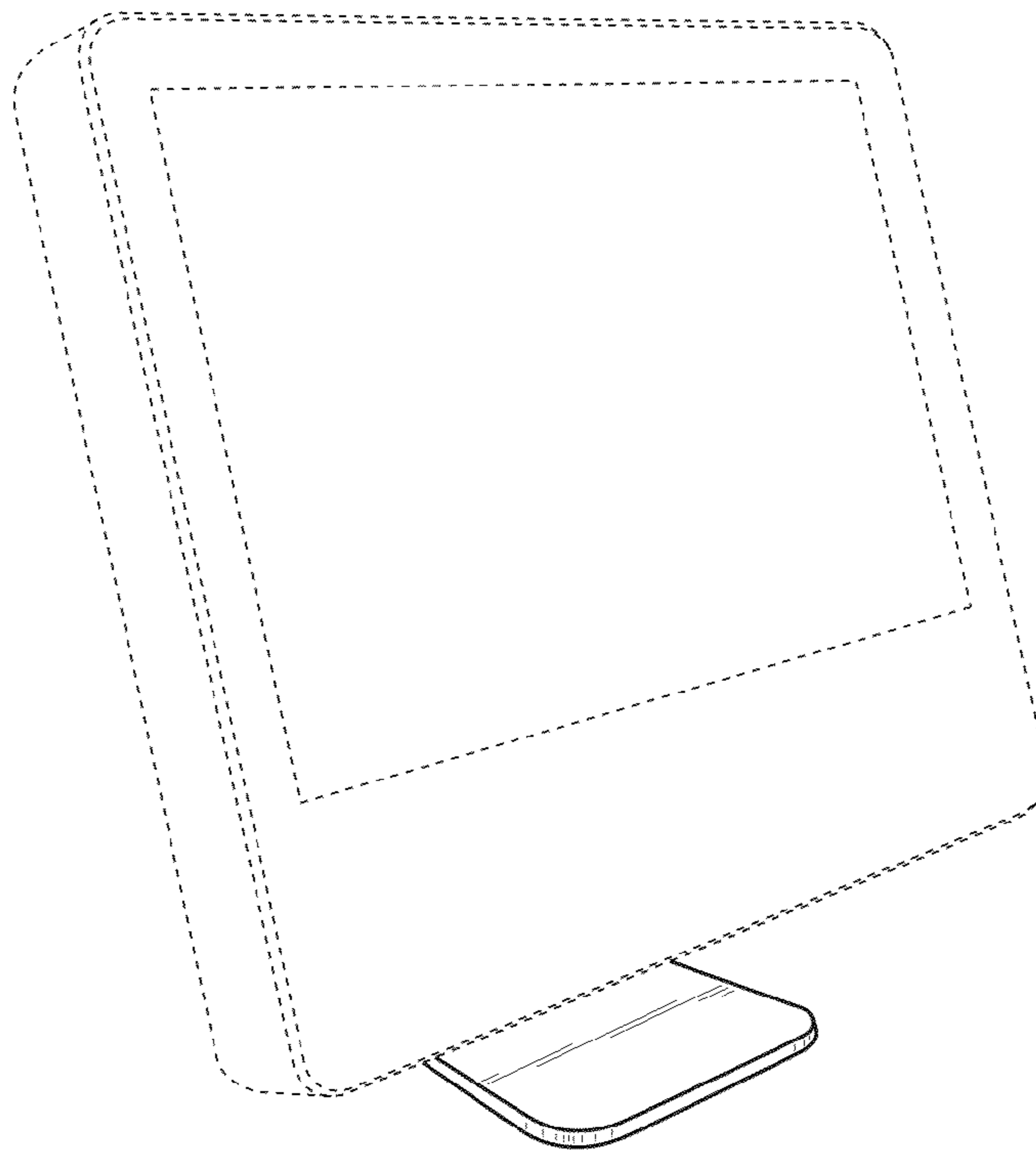


Fig. 9 (new)

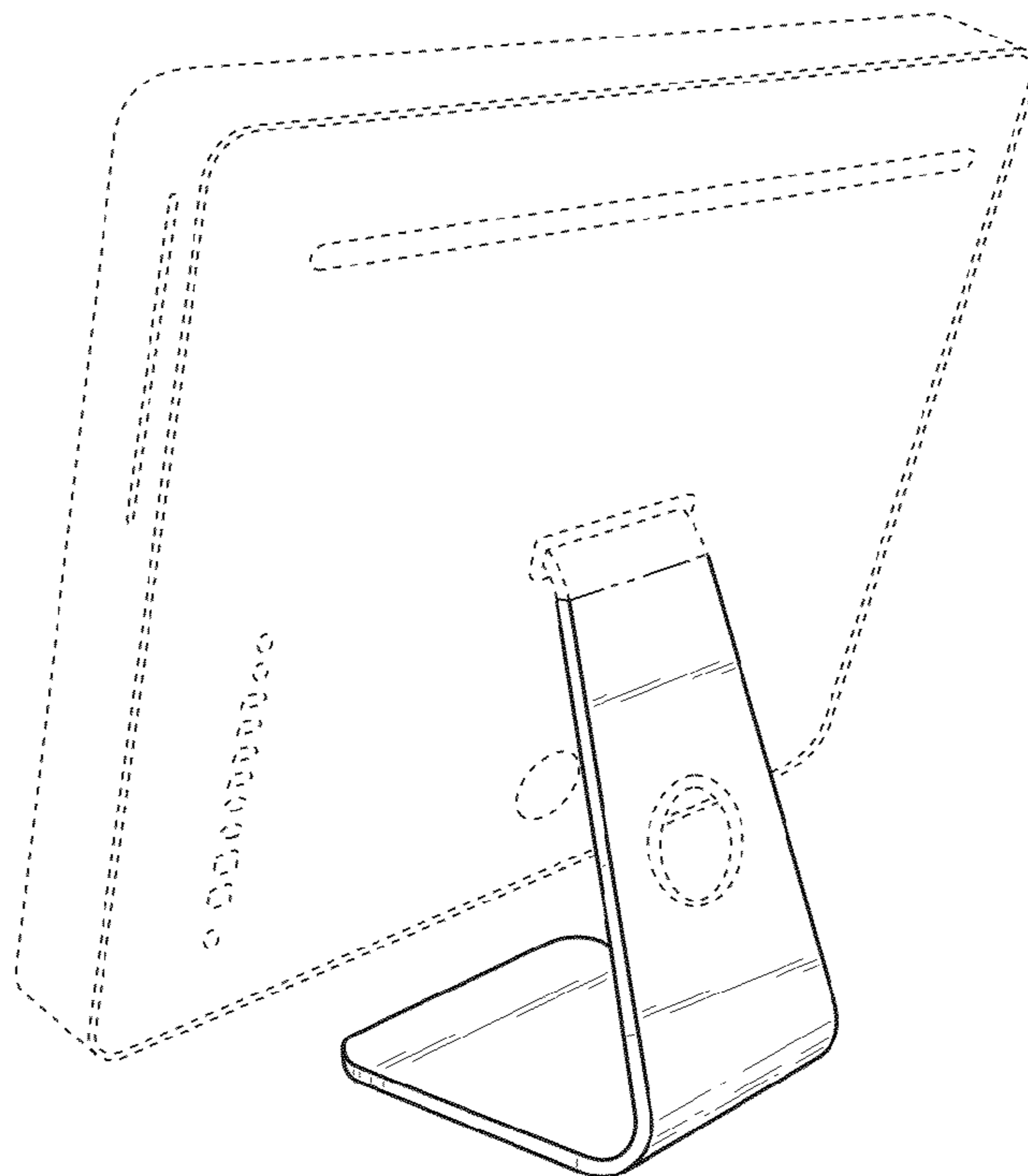


Fig. 10 (new)

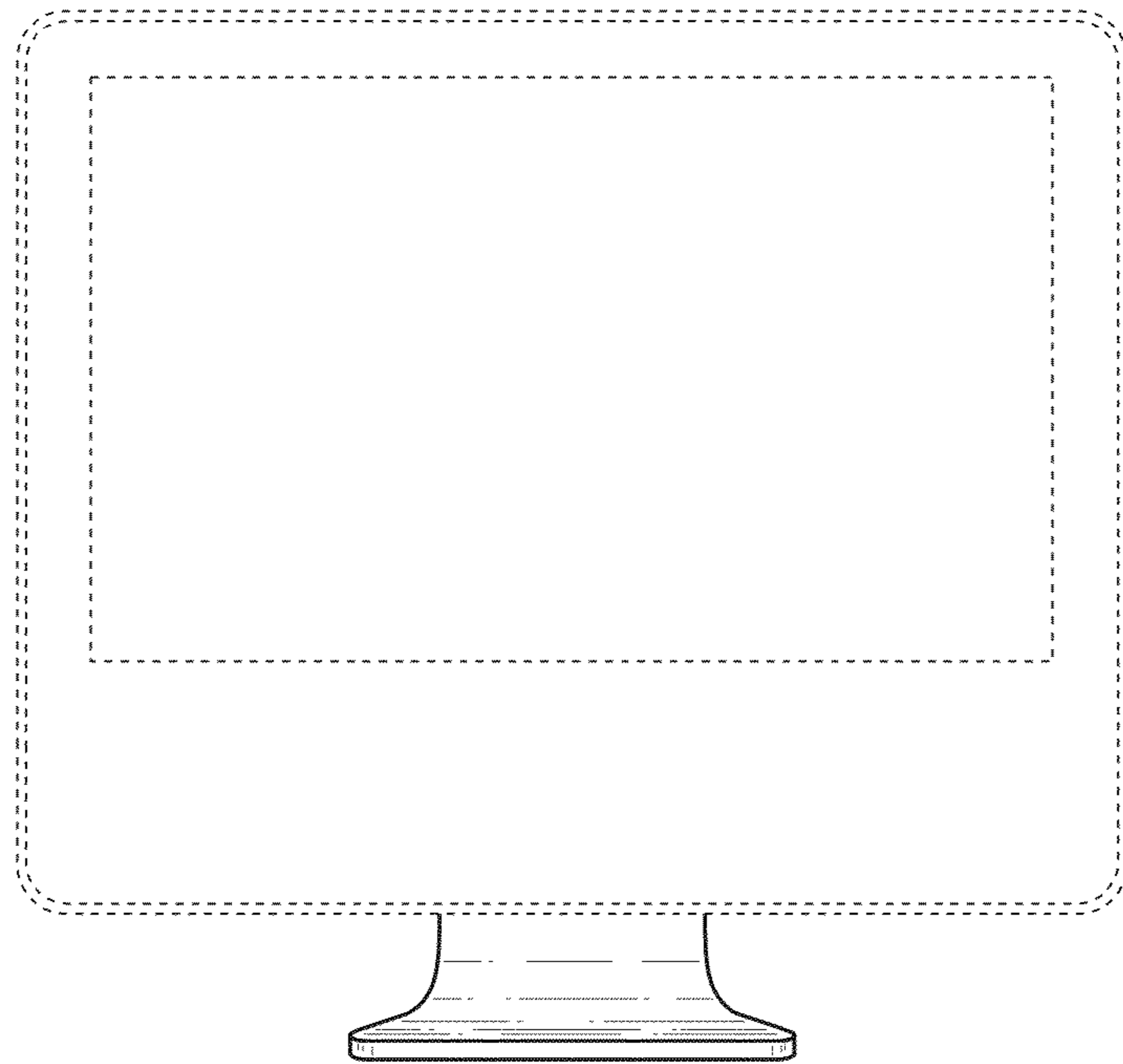


Fig. 11 (new)

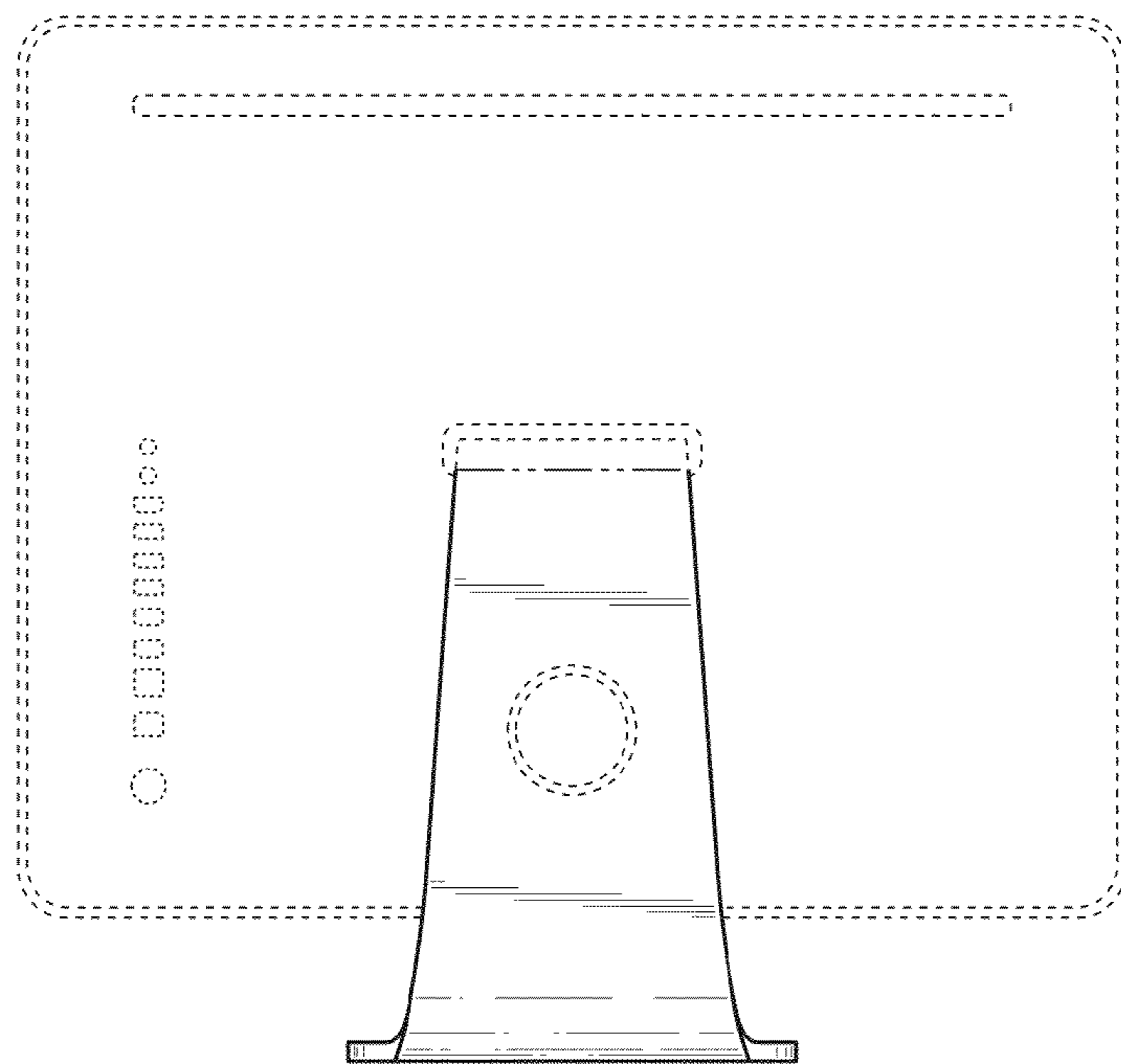


Fig. 12 (new)

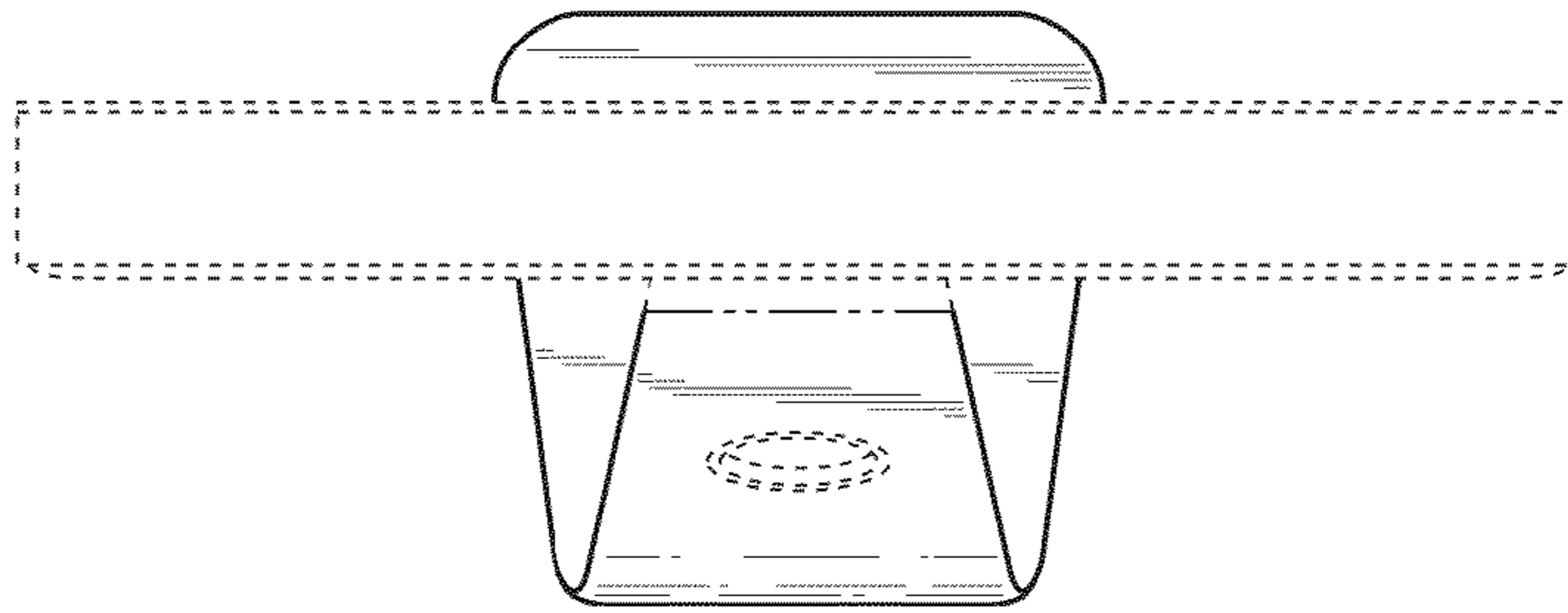


Fig. 13 (new)

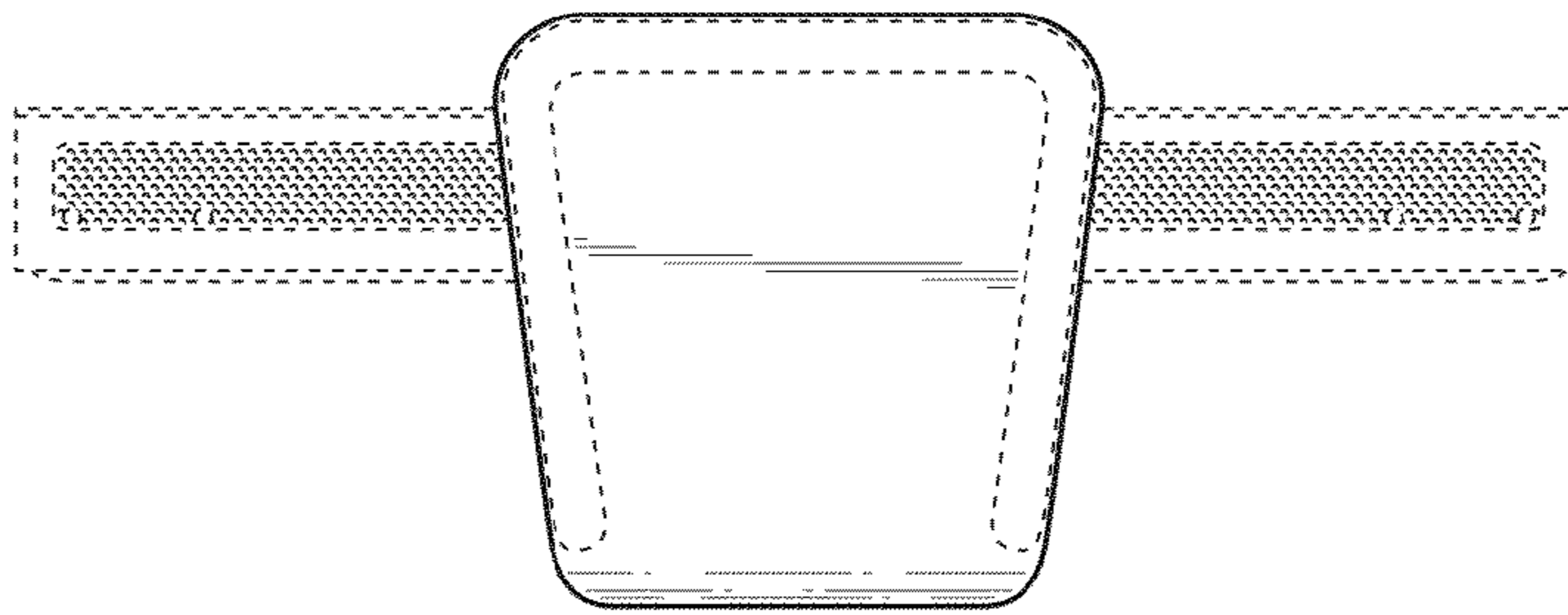


Fig. 14 (new)

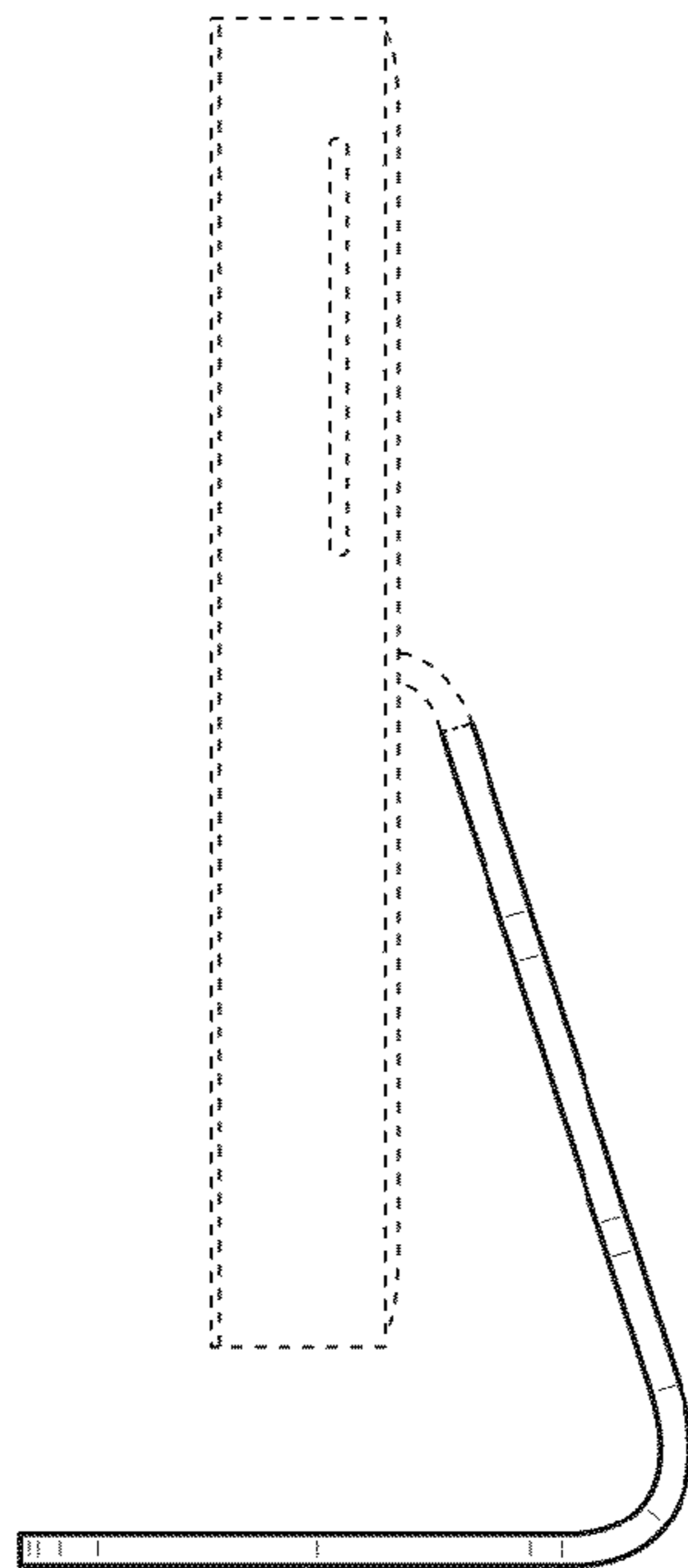


Fig. 15 (new)

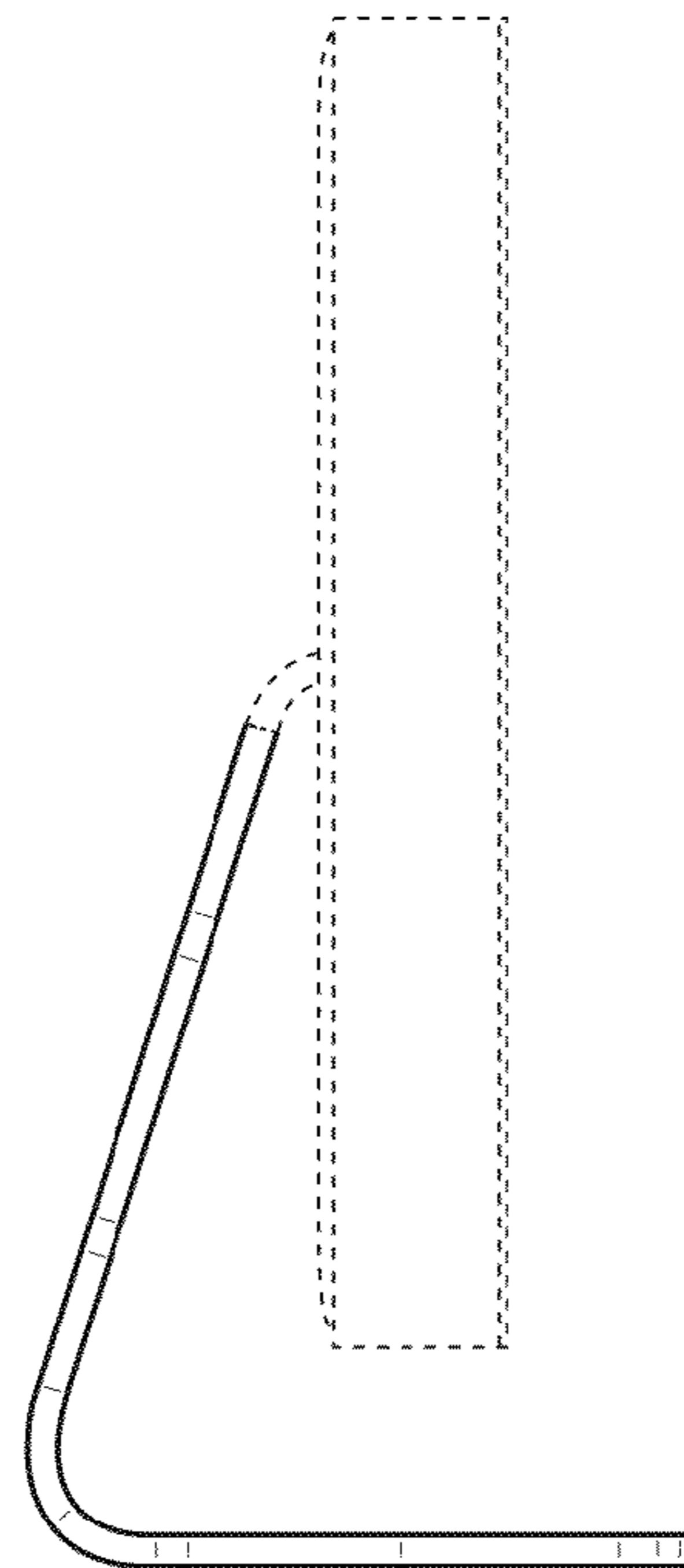


Fig. 16 (new)