



US00RE45446E

(19) **United States**
(12) **Reissued Patent**
Hale, Jr.

(10) **Patent Number:** **US RE45,446 E**
(45) **Date of Reissued Patent:** **Apr. 7, 2015**

(54) **VEHICLE-WHEEL FRONT FACE**
(71) Applicant: **Mobile Hi-Tech Wheels, Rancho Dominguez, CA (US)**
(72) Inventor: **Arthur D. Hale, Jr., Long Beach, CA (US)**
(73) Assignee: **Mobile Hi-Tech Wheels, Rancho Dominguez, CA (US)**

D428,379 S * 7/2000 Donikoglu D12/211
D438,163 S * 2/2001 Langerer D12/211
D487,717 S * 3/2004 Lenz D12/211
D527,327 S * 8/2006 Laengerer D12/211
D545,262 S * 6/2007 Southey D12/211
D571,274 S * 6/2008 Chung D12/209
D577,649 S * 9/2008 Ettensberger D12/211
D579,846 S * 11/2008 Chung D12/209
D584,673 S * 1/2009 Chung D12/209
D617,252 S * 6/2010 Zhao D12/211
D618,154 S * 6/2010 Zhao D12/209
D626,487 S * 11/2010 Leng D12/209
D633,028 S * 2/2011 Kim D12/211

(21) Appl. No.: **29/466,658**

* cited by examiner

(22) Filed: **Sep. 10, 2013**

Primary Examiner — Phillip S Hyder

Related U.S. Patent Documents

(74) *Attorney, Agent, or Firm* — Christie, Parker & Hale, LLP

Reissue of:

(64) Patent No.: **Des. 649,107**
Issued: **Nov. 22, 2011**
Appl. No.: **29/399,812**
Filed: **Aug. 18, 2011**

(57) **CLAIM**

The ornamental design for vehicle-wheel front face, as shown and described.

(51) **LOC (10) Cl.** **12-16**

DESCRIPTION

(52) **U.S. Cl.**
USPC **D12/211**

(58) **Field of Classification Search**
USPC D12/204–213; 301/37.101, 64.101,
301/64.201

FIG. 1 is a perspective view of a vehicle-wheel front face according to my new design;
FIG. 2 is a front elevational view thereof; and,
FIG. 3 is a side elevational view thereof.
The broken line showing of the rear of the rim is included for the purpose of illustrating environment and forms no part of the claimed design.

See application file for complete search history.

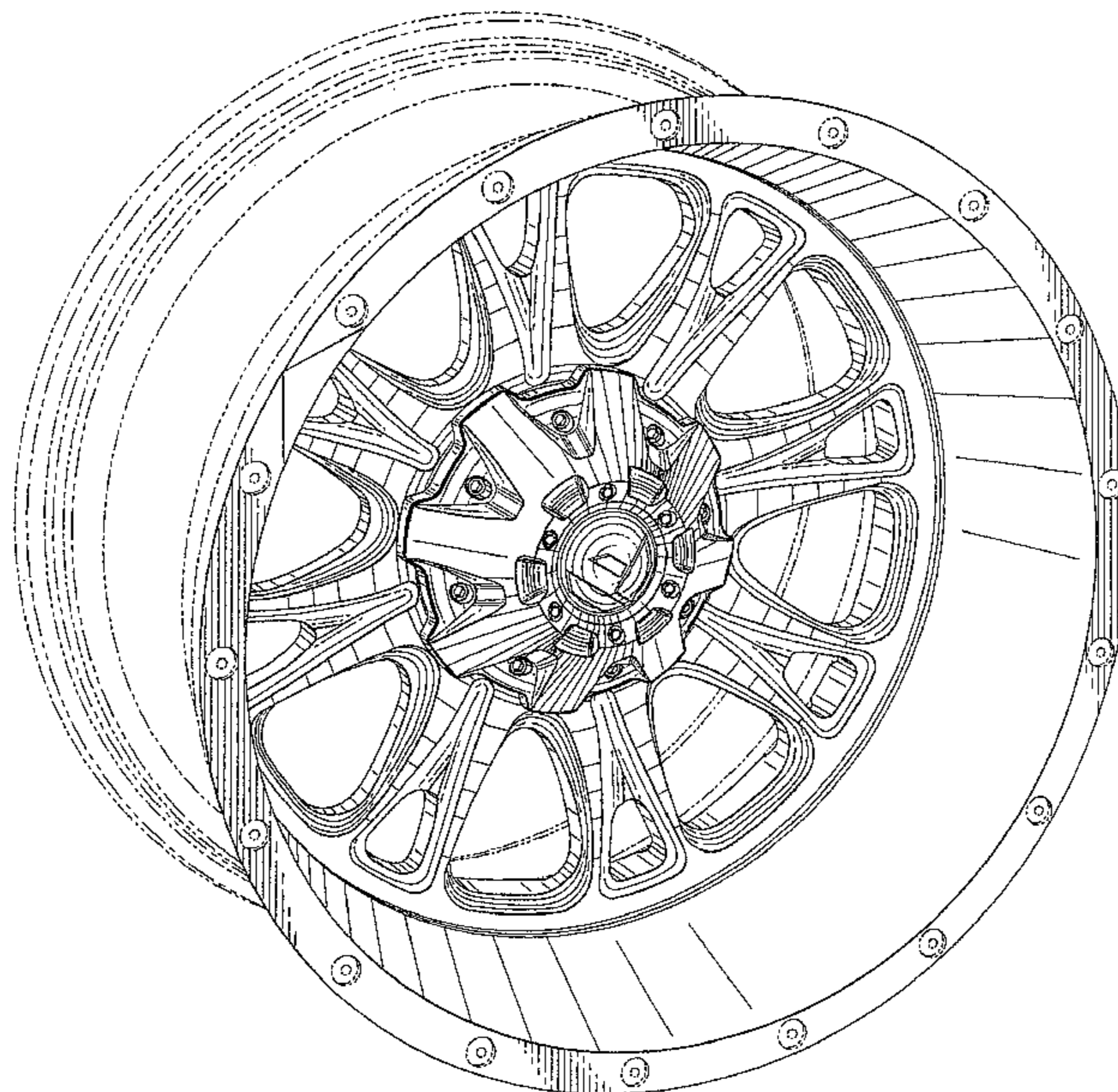
(56) **References Cited**

1 Claim, 3 Drawing Sheets

U.S. PATENT DOCUMENTS

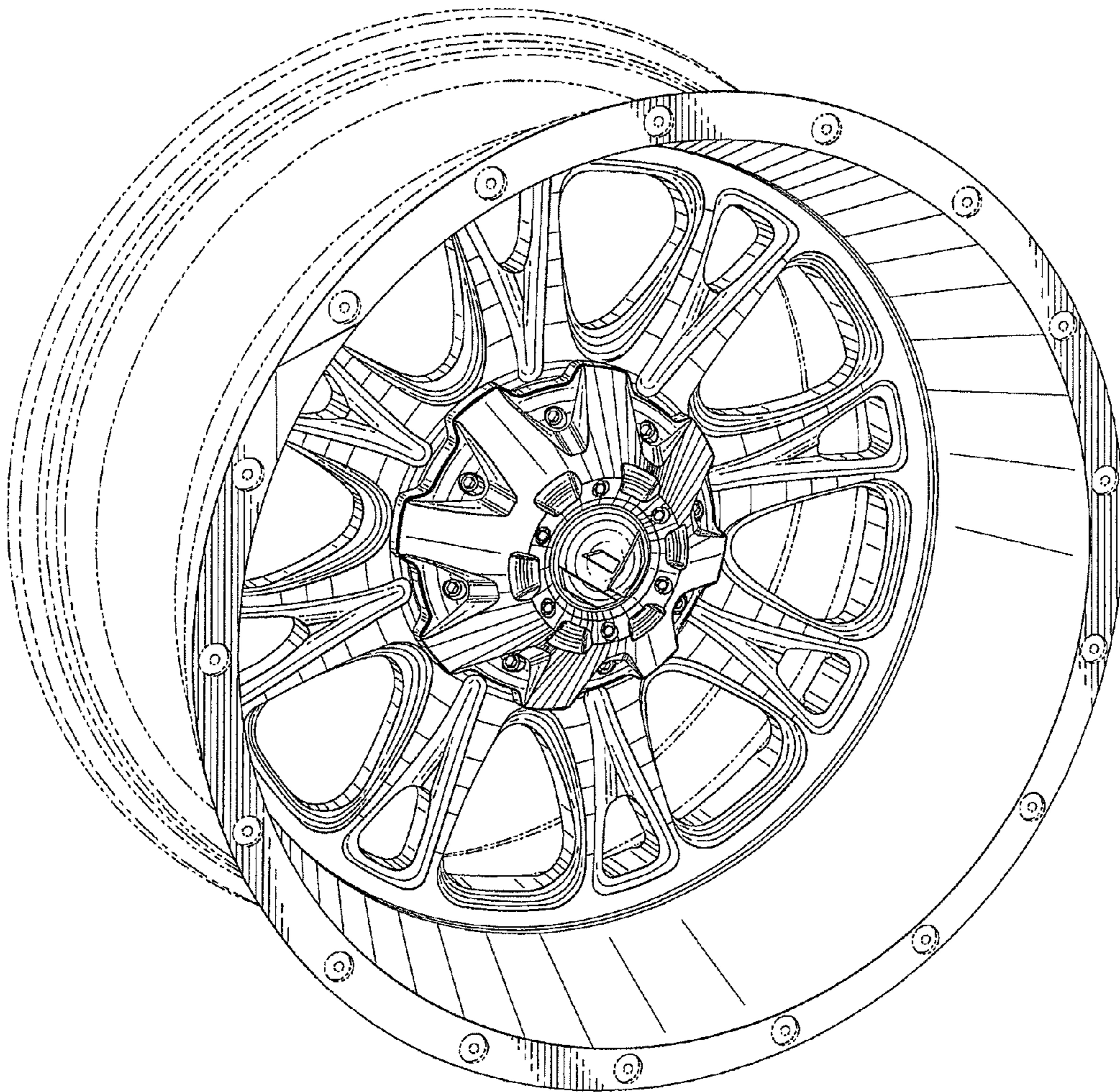
D348,243 S * 6/1994 Echazabal et al. D12/211
D399,474 S * 10/1998 Stacy D12/211
D410,426 S * 6/1999 Frizzi D12/211
D416,849 S * 11/1999 Weidhase D12/211

Matter enclosed in heavy brackets [] appears in the original patent but forms no part of this reissue; matter printed in italics indicates the additions made by reissue.



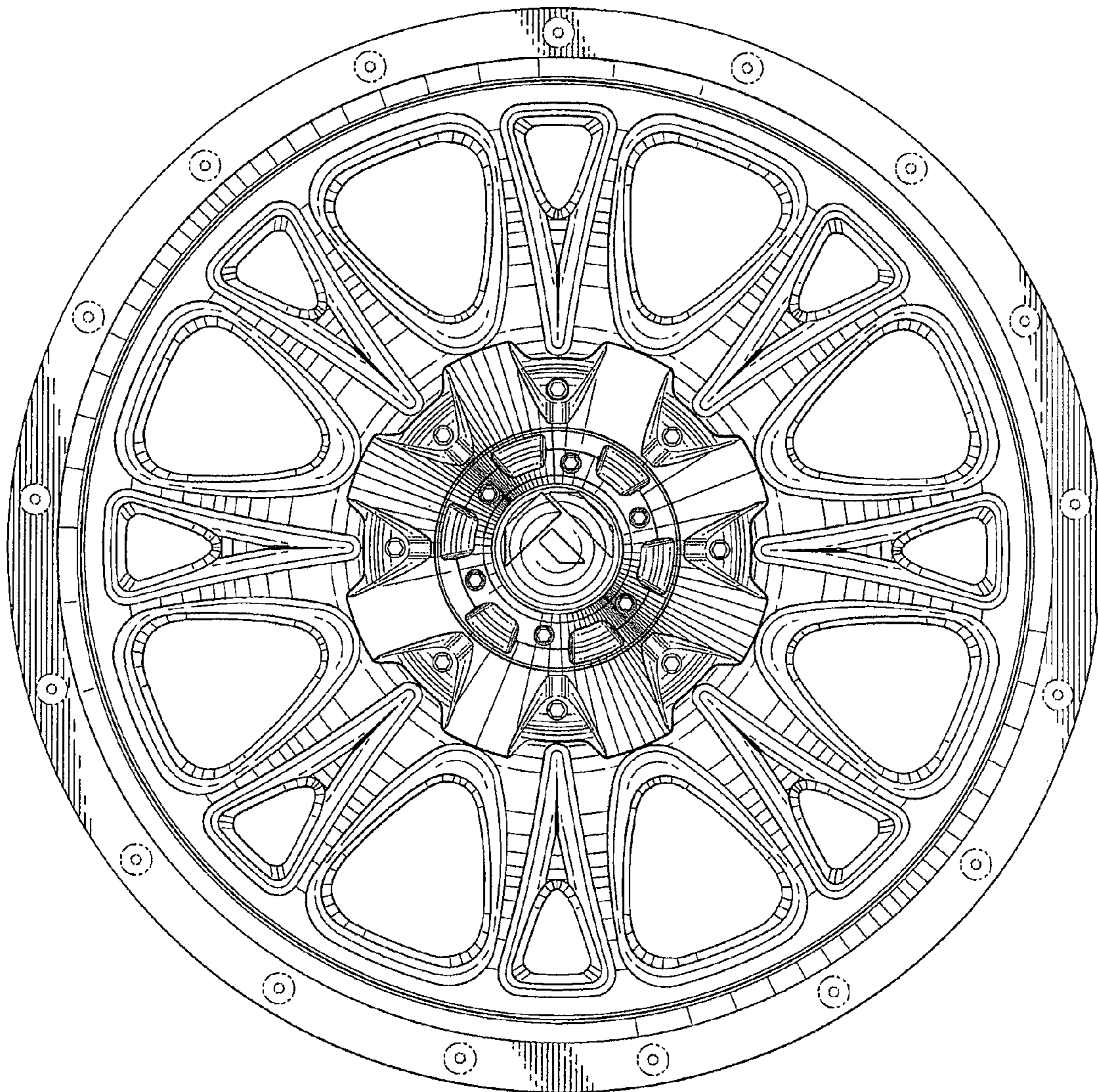
AMENDED

FIG. 1



AMENDED

FIG. 2



AMENDED

FIG. 3

