



US00RE45427E

(19) **United States**  
(12) **Reissued Patent**  
**Kroll**

(10) **Patent Number:** **US RE45,427 E**  
(45) **Date of Reissued Patent:** **Mar. 24, 2015**

(54) **CROSS-SHAPED DISPLAY STAND**  
(71) Applicant: **William F. Kroll**, Boca Raton, FL (US)  
(72) Inventor: **William F. Kroll**, Boca Raton, FL (US)  
(21) Appl. No.: **29/463,815**  
(22) Filed: **Mar. 12, 2014**

D578,275 S \* 10/2008 Shantz et al. .... D99/17  
D618,135 S \* 6/2010 Horst ..... D11/157  
D619,926 S \* 7/2010 Letney ..... D11/157

(Continued)

*Primary Examiner* — Phillip S Hyder  
(74) *Attorney, Agent, or Firm* — Mark D. Bowen; Malin Haley DiMaggio & Bowen, P.A.

**Related U.S. Patent Documents**

Reissue of:

(64) Patent No.: **Des. 671,770**  
Issued: **Dec. 4, 2012**  
Appl. No.: **29/400,204**  
Filed: **Aug. 24, 2011**

(51) **LOC (10) Cl.** ..... **06-04**  
(52) **U.S. Cl.**  
USPC ..... **D6/674; D6/300**  
(58) **Field of Classification Search**  
USPC ..... D6/674, 300–314; D99/5, 27, 23;  
D20/15; D26/4, 94; D11/157, 125,  
D11/122; 211/85.3, 441.1, 442, 2, 450, 451,  
211/454, 455, 456, 133, 121, 152, 174,  
211/176.1

See application file for complete search history.

(56) **References Cited**

**U.S. PATENT DOCUMENTS**

D67,289 S \* 5/1925 Ladewich ..... D99/23  
D103,027 S \* 2/1937 Slattery ..... D99/27  
D137,421 S \* 3/1944 Rasmussen ..... D99/23  
D159,891 S \* 8/1950 Chevalier ..... D99/27  
D160,900 S \* 11/1950 Suhren ..... D6/450  
D168,686 S \* 1/1953 Hunter ..... D6/450  
D256,398 S 8/1980 Mitchell  
D338,081 S \* 8/1993 Klaffer ..... D26/94  
D338,315 S 8/1993 Larson  
D370,282 S \* 5/1996 Grether ..... D26/4  
D408,653 S \* 4/1999 Dotson et al. .... D6/450  
D412,461 S \* 8/1999 McGrew ..... D11/122  
D431,206 S \* 9/2000 Byers ..... D11/125  
D440,734 S \* 4/2001 Berry ..... D99/23  
D443,970 S \* 6/2001 Stucker ..... D99/27  
D481,223 S \* 10/2003 Locker et al. .... D6/470  
D518,939 S \* 4/2006 Borgerding ..... D99/5

(57) **CLAIM**

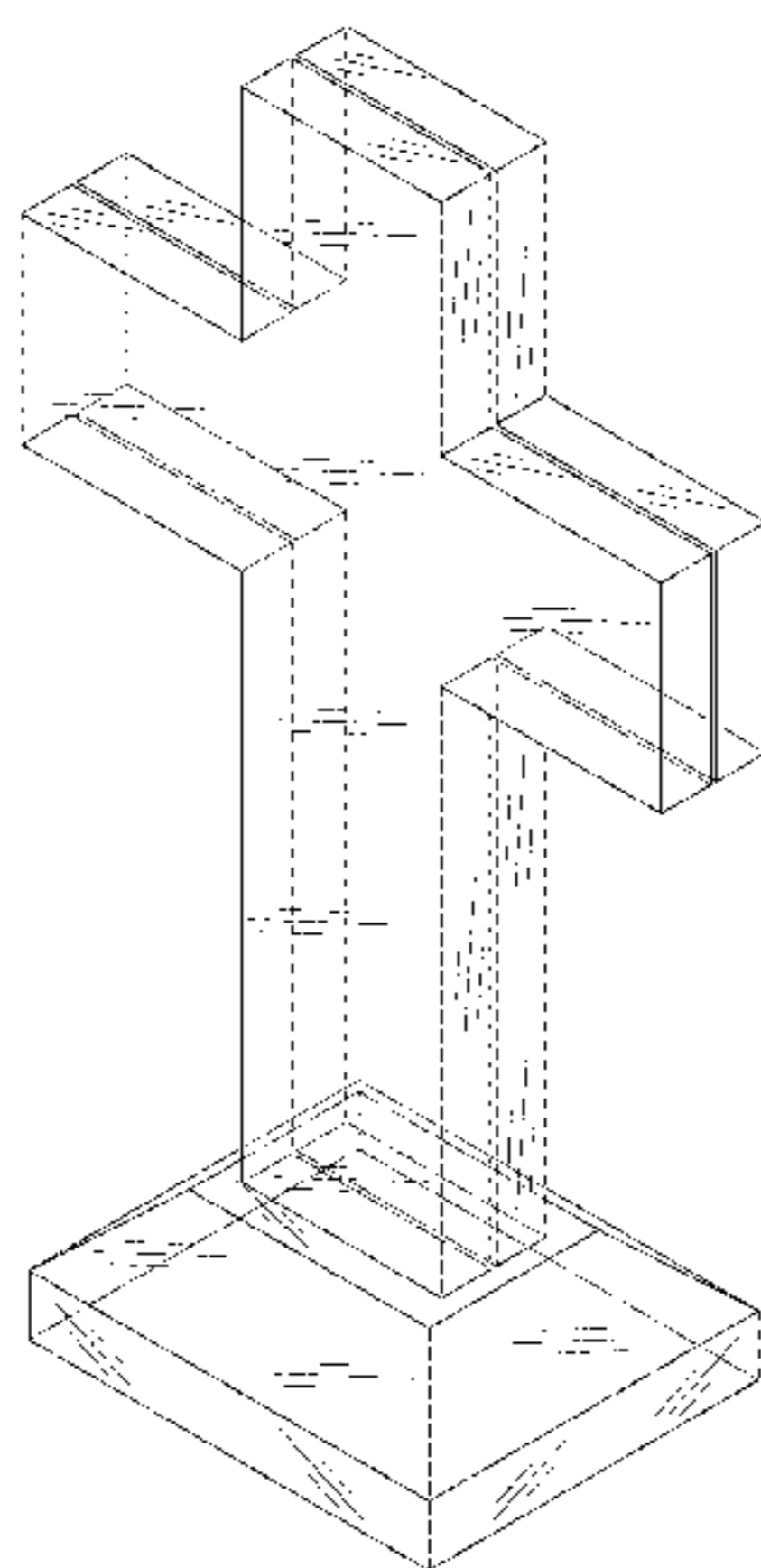
The ornamental design for a cross-shaped display stand, as shown and described.

**DESCRIPTION**

FIG. 1 is a front perspective view of a cross-shaped display stand in accordance with the present invention;  
FIG. 2 is a bottom perspective view thereof;  
FIG. 3 is a front *elevation* view thereof, with the rear view being identical;  
FIG. 4 is a right side *elevation* view thereof, with the left side view being identical;  
FIG. 5 is a top view thereof; [and]  
FIG. 6 is a bottom view thereof[.];  
*FIG. 7 is a front perspective view of a second embodiment of the cross-shaped display stand in accordance with the present invention;*  
*FIG. 8 is a bottom perspective view thereof;*  
*FIG. 9 is a front elevation view thereof, with the rear view being identical;*  
*FIG. 10 is a right side elevation view thereof, with the left side view being identical;*  
*FIG. 11 is a top plan view thereof; and,*  
*FIG. 12 is a bottom plan view thereof.*  
*The dot-dash broken lines in FIGS. 7 through 12 represent the boundaries between claimed and non-claimed subject matter.*

**1 Claim, 8 Drawing Sheets**

**Matter enclosed in heavy brackets [ ] appears in the original patent but forms no part of this reissue; matter printed in italics indicates the additions made by reissue.**



(AMENDED)

**US RE45,427 E**

Page 2

---

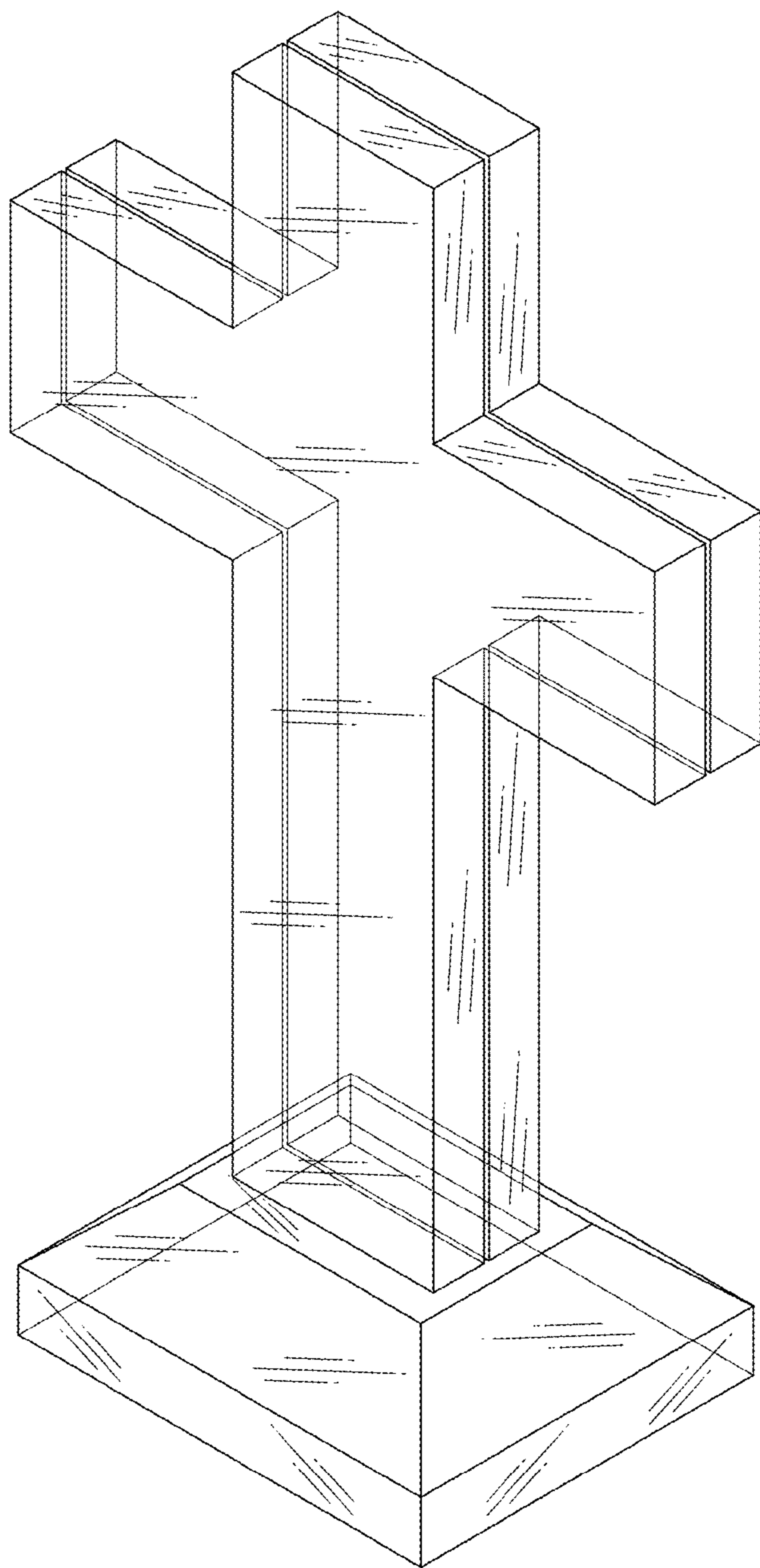
(56)

**References Cited**

D654,828 S 2/2012 Piric  
D685,675 S 7/2013 Dubow

U.S. PATENT DOCUMENTS

D649,594 S \* 11/2011 Yi et al. .... D20/15 \* cited by examiner



**FIG. 1**  
(AMENDED)

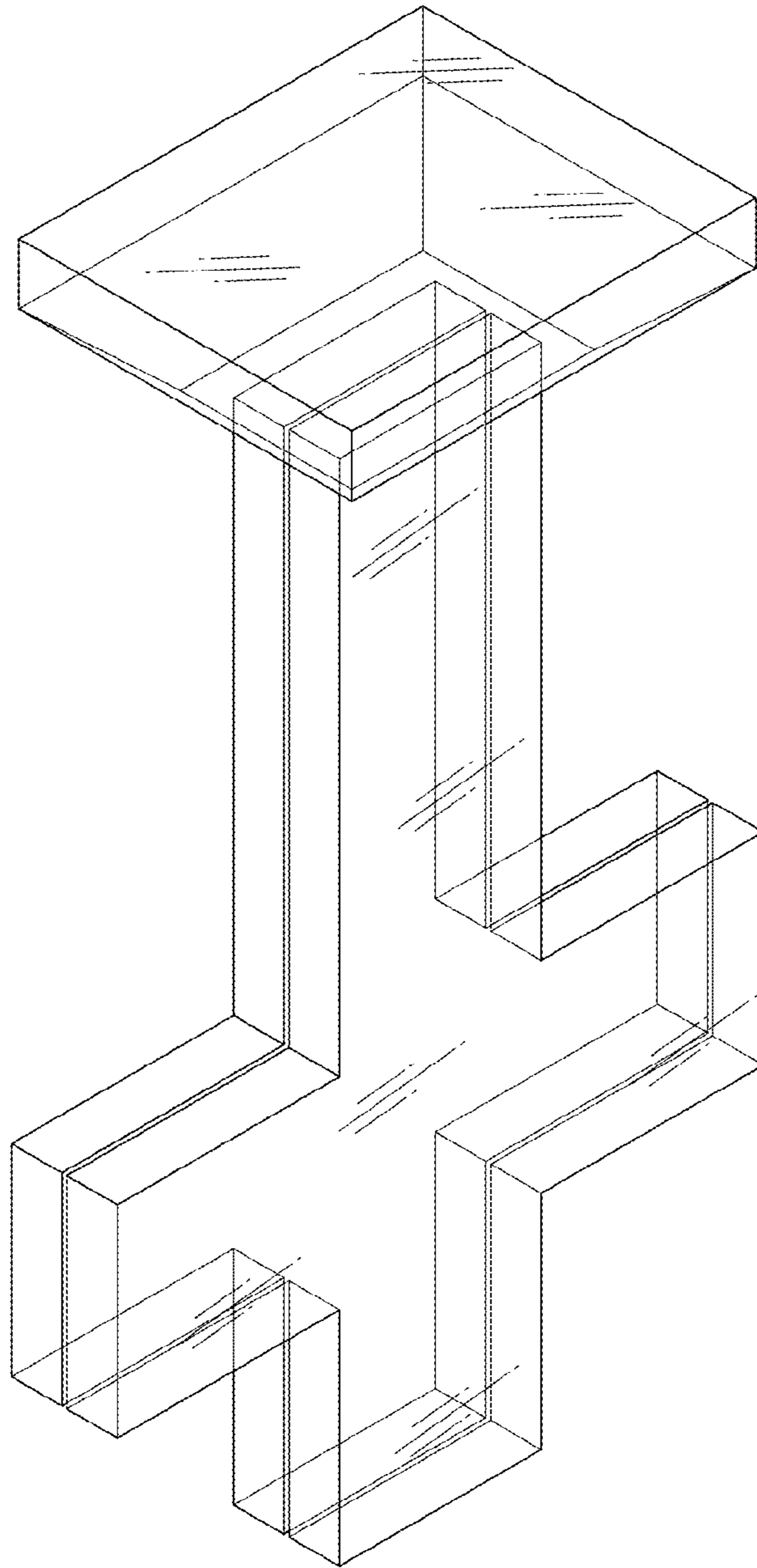


FIG. 2  
(AMENDED)

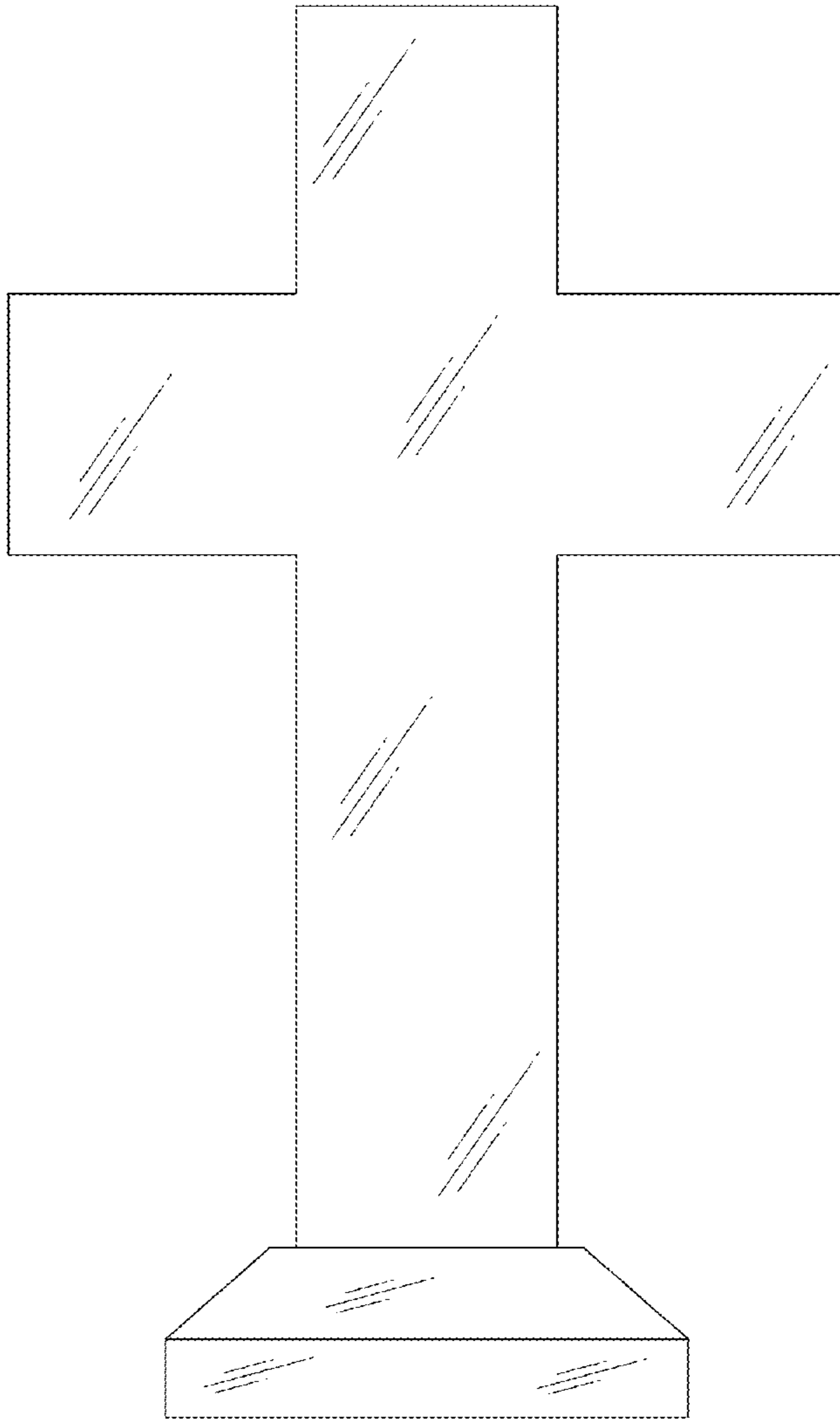


FIG. 3  
(AMENDED)

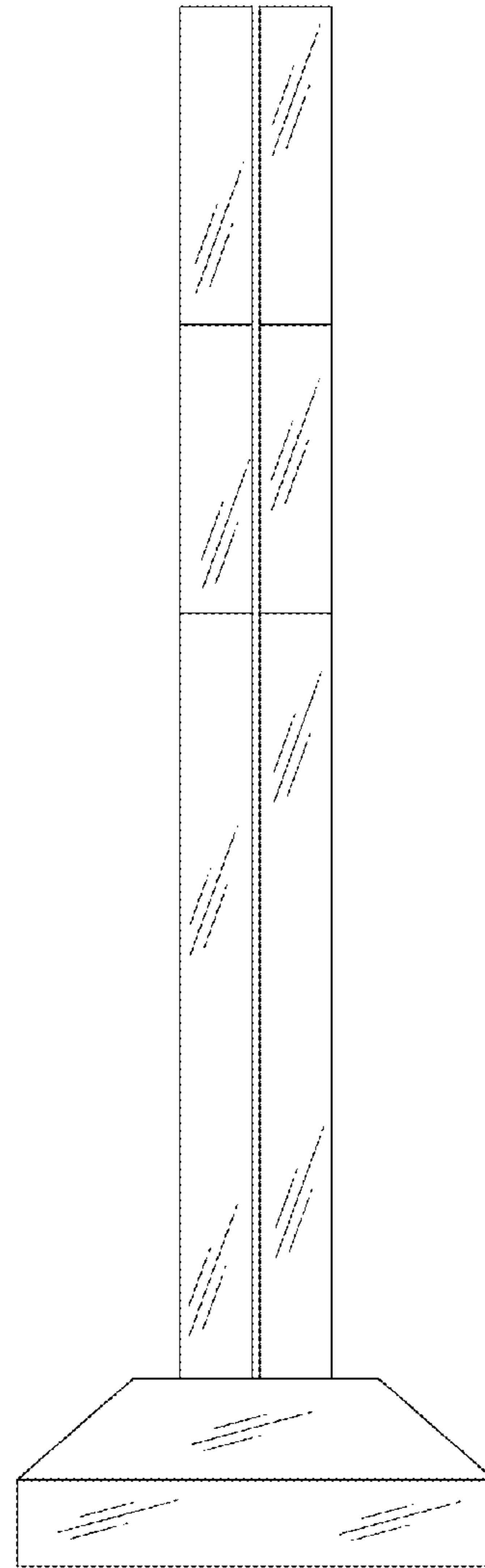


FIG. 4  
(AMENDED)

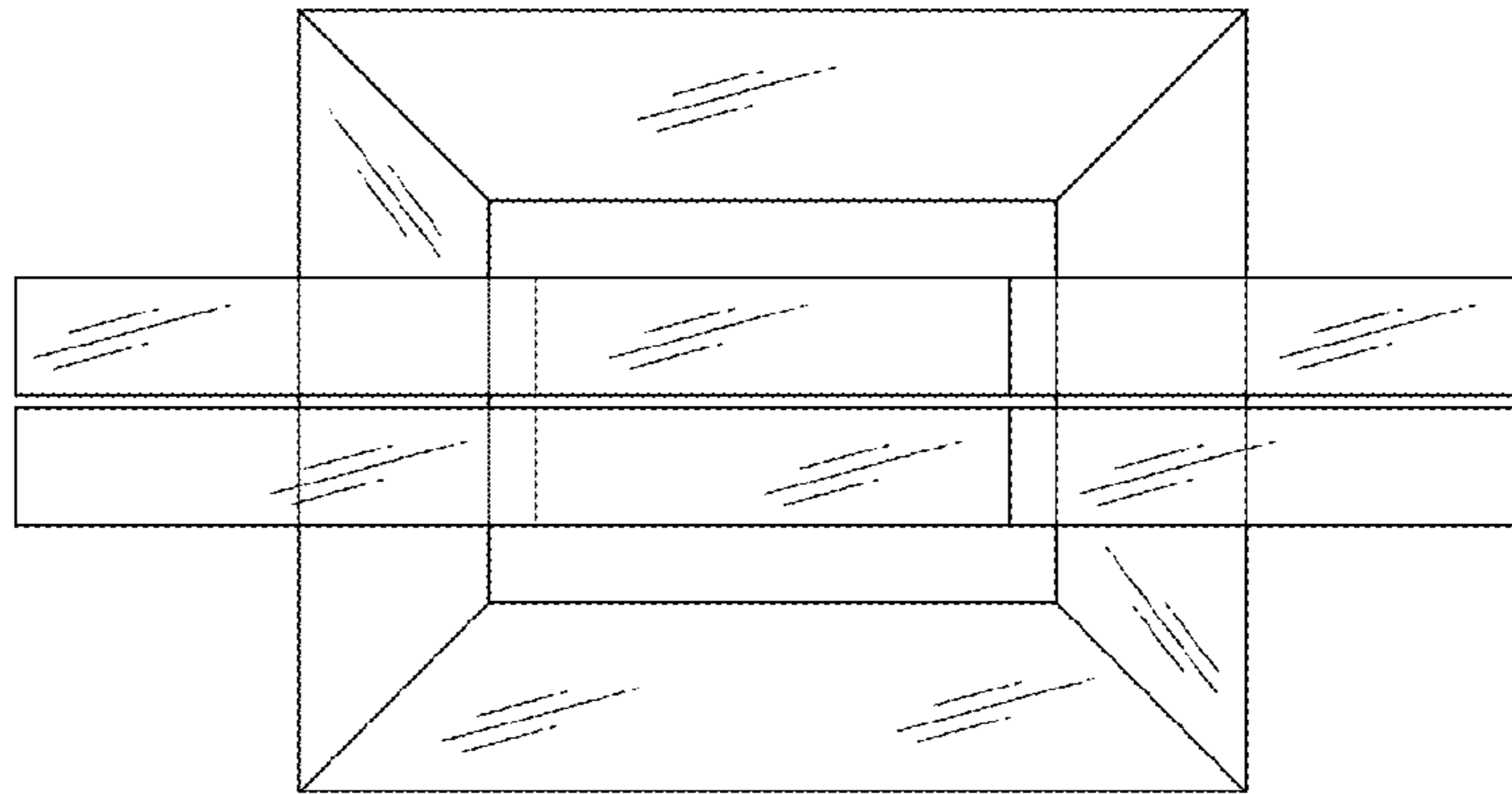


FIG. 5  
(AMENDED)

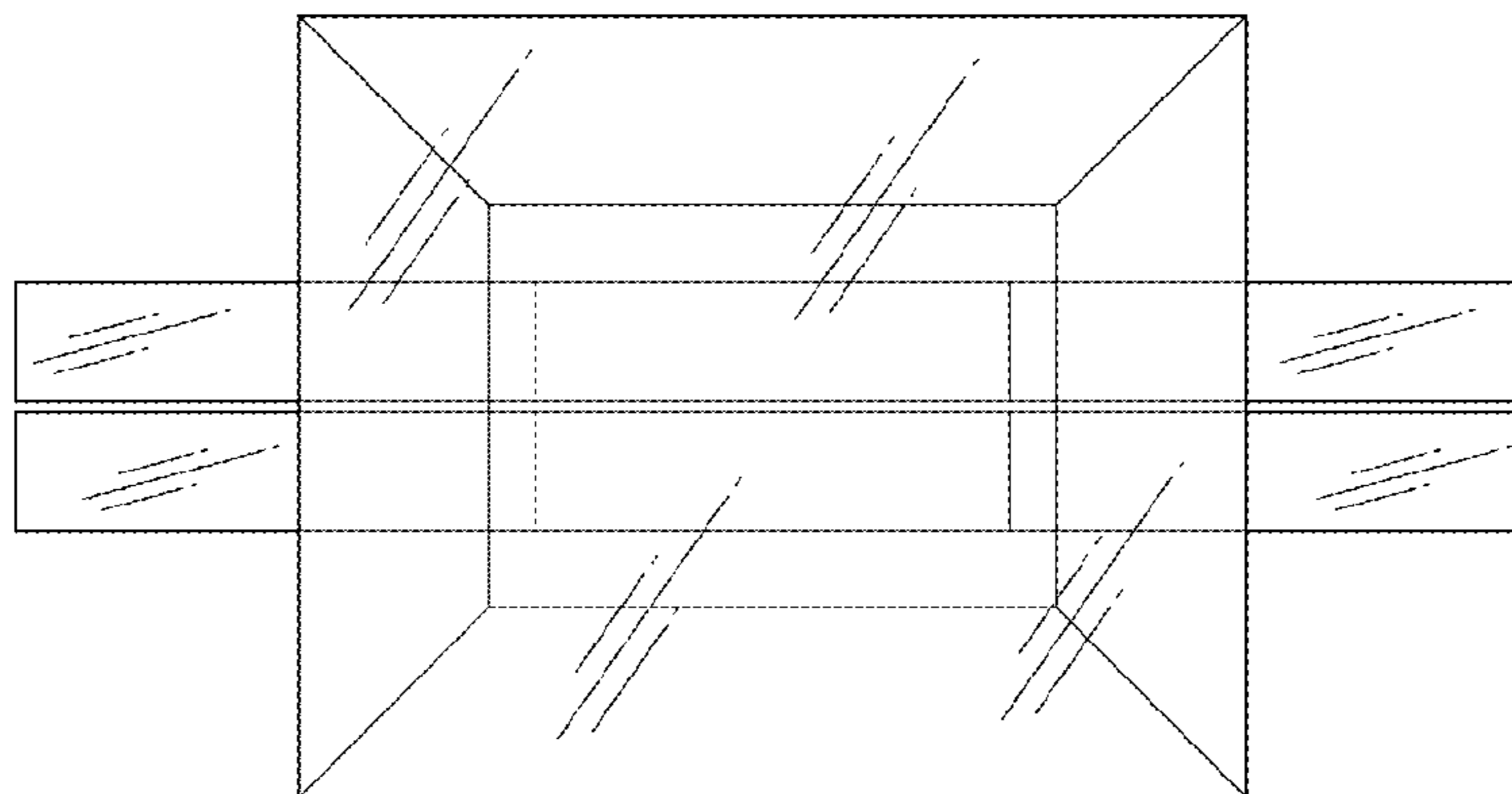


FIG. 6  
(AMENDED)



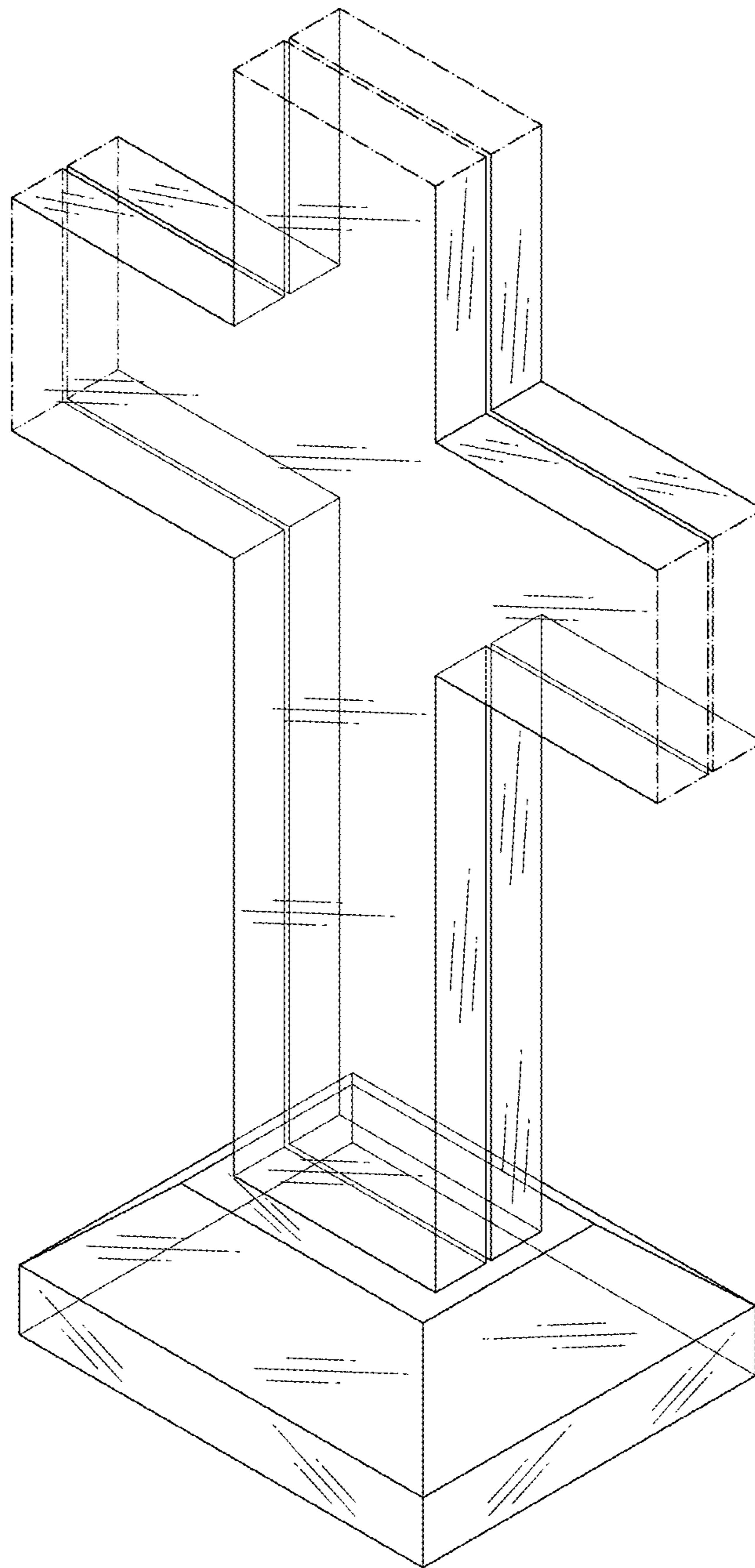


FIG. 7  
(NEW)

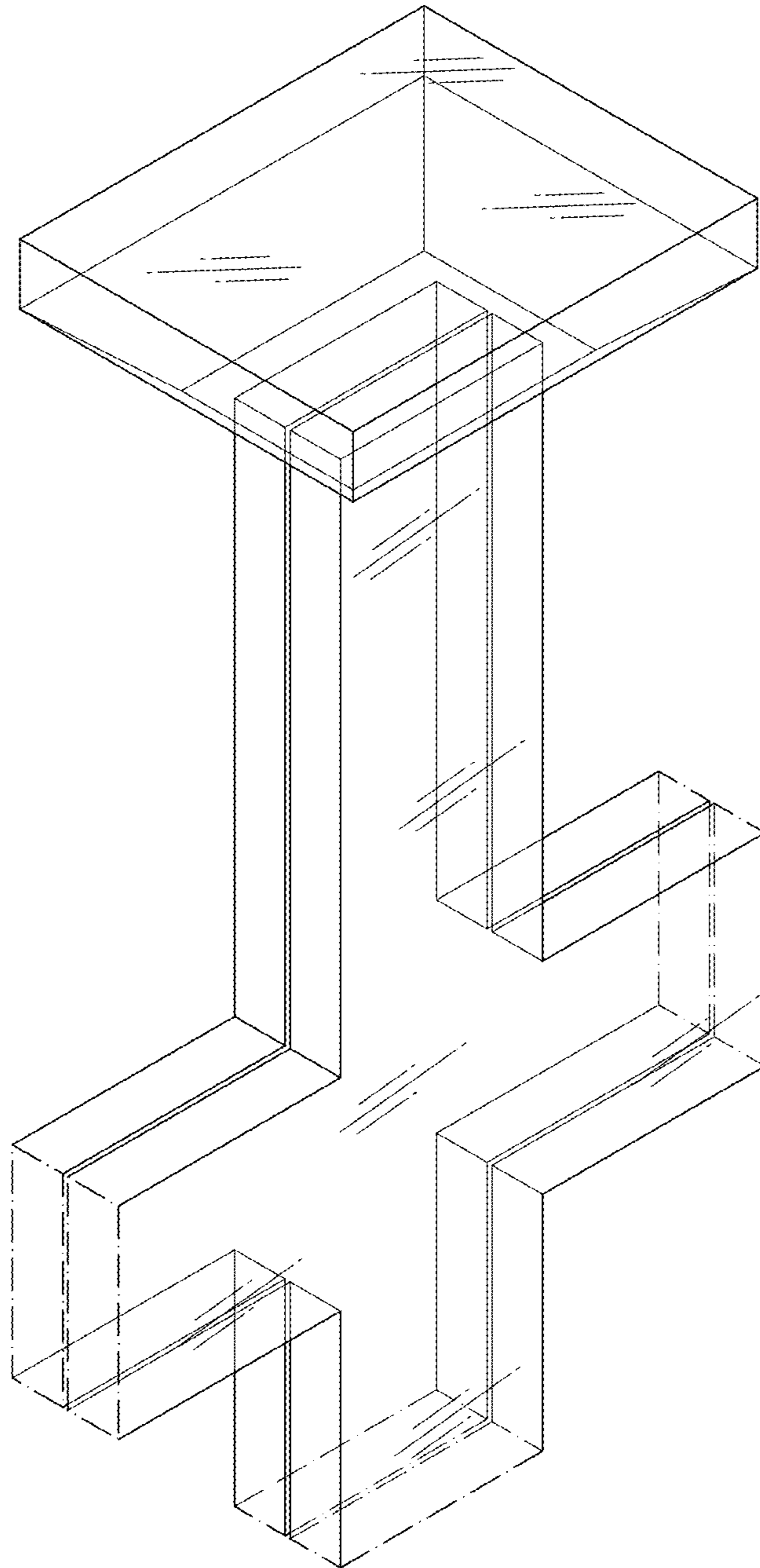


FIG. 8  
(NEW)



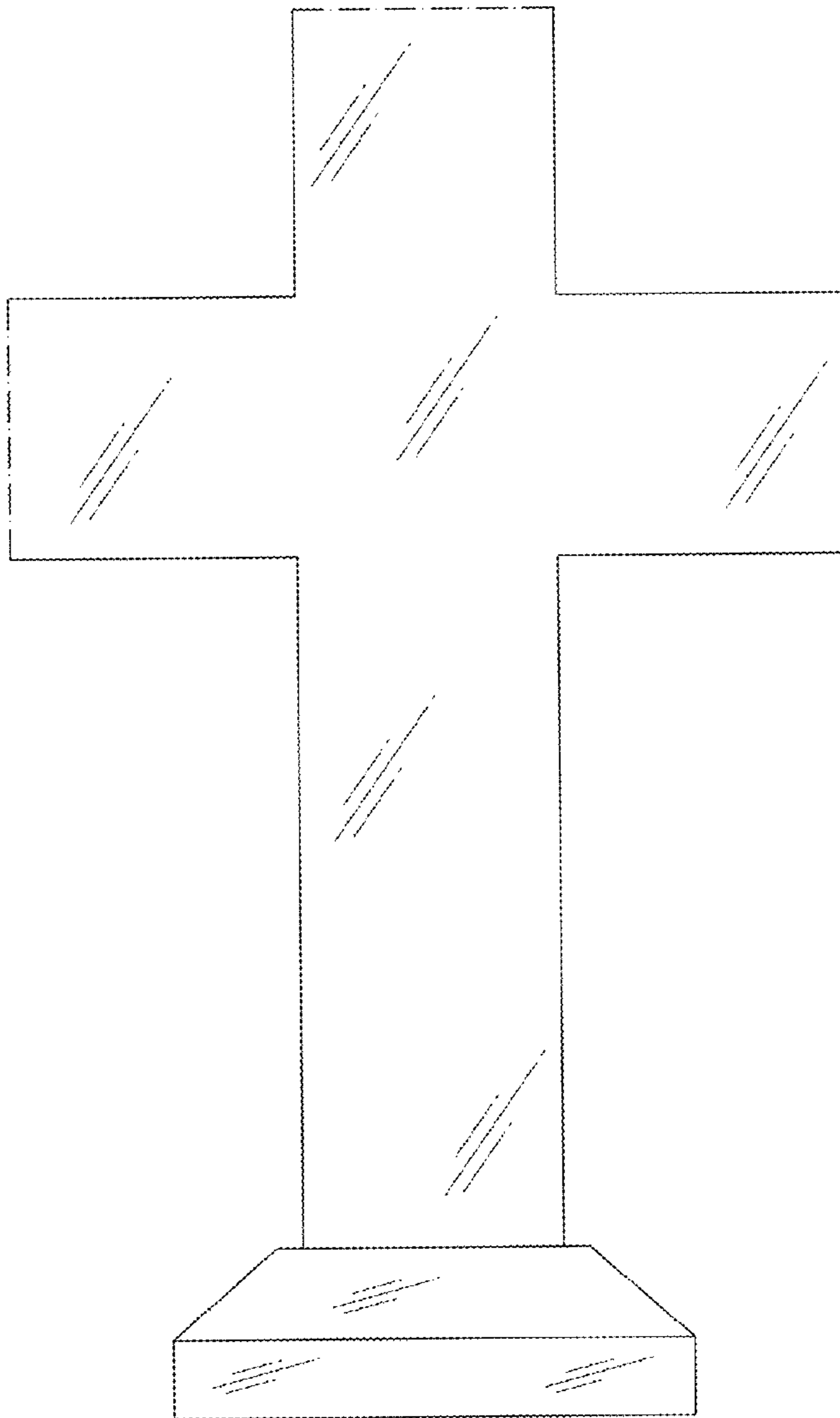


FIG. 9  
(NEW)

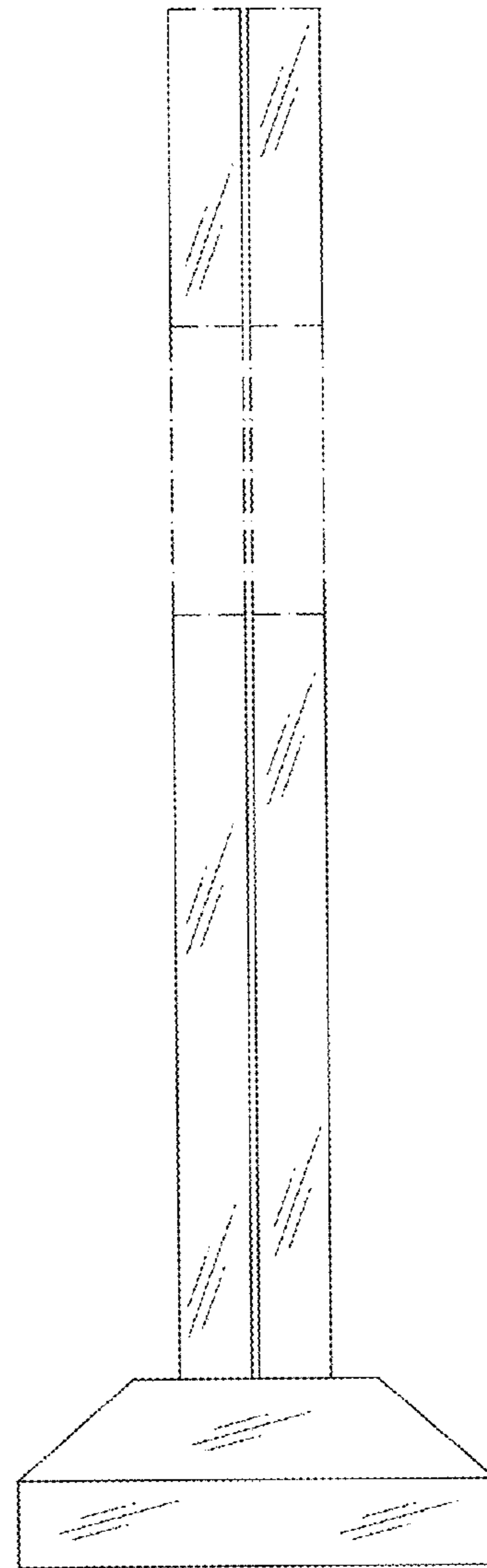


FIG. 10  
(NEW)

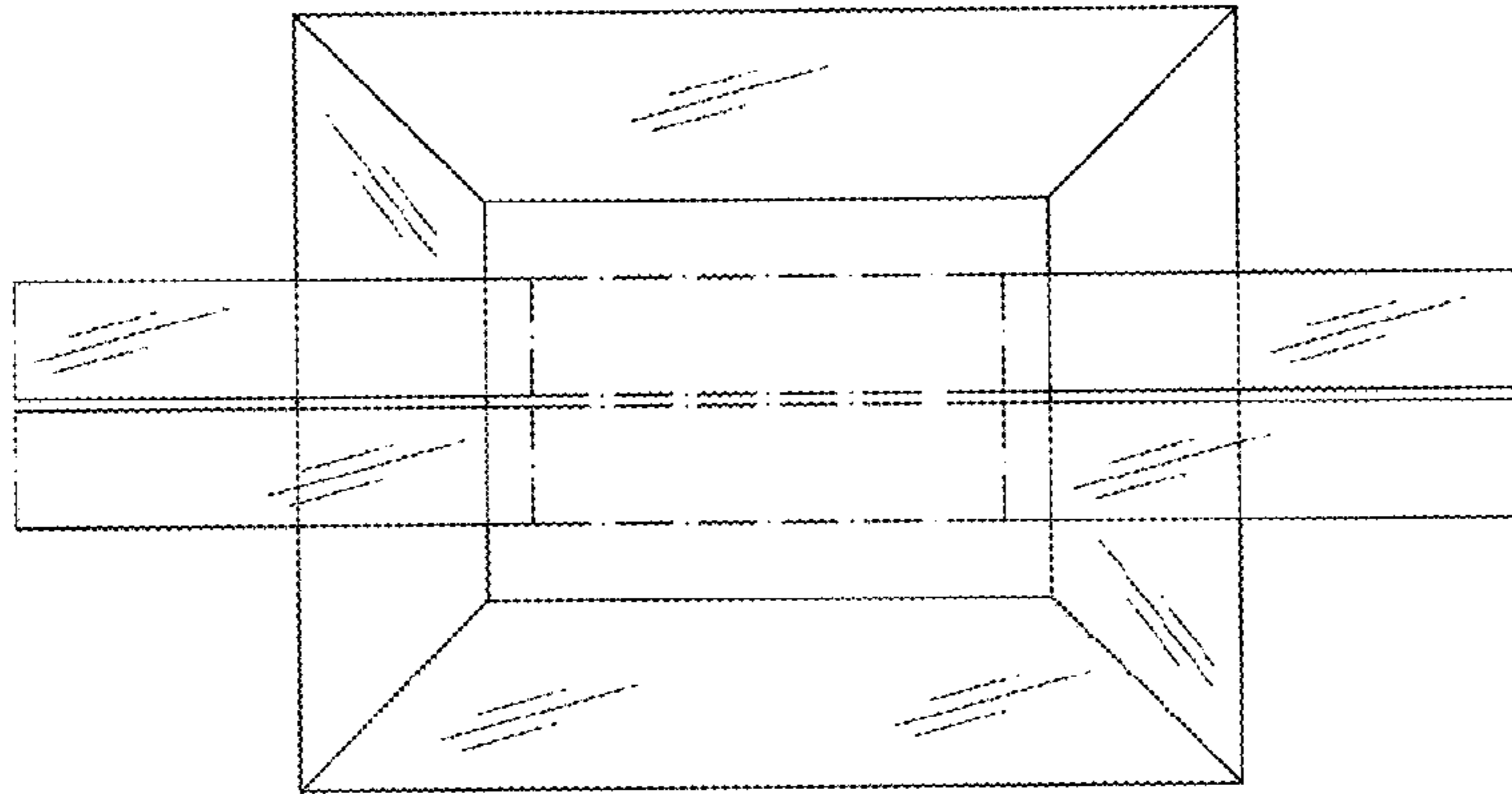


FIG. 11  
(NEW)

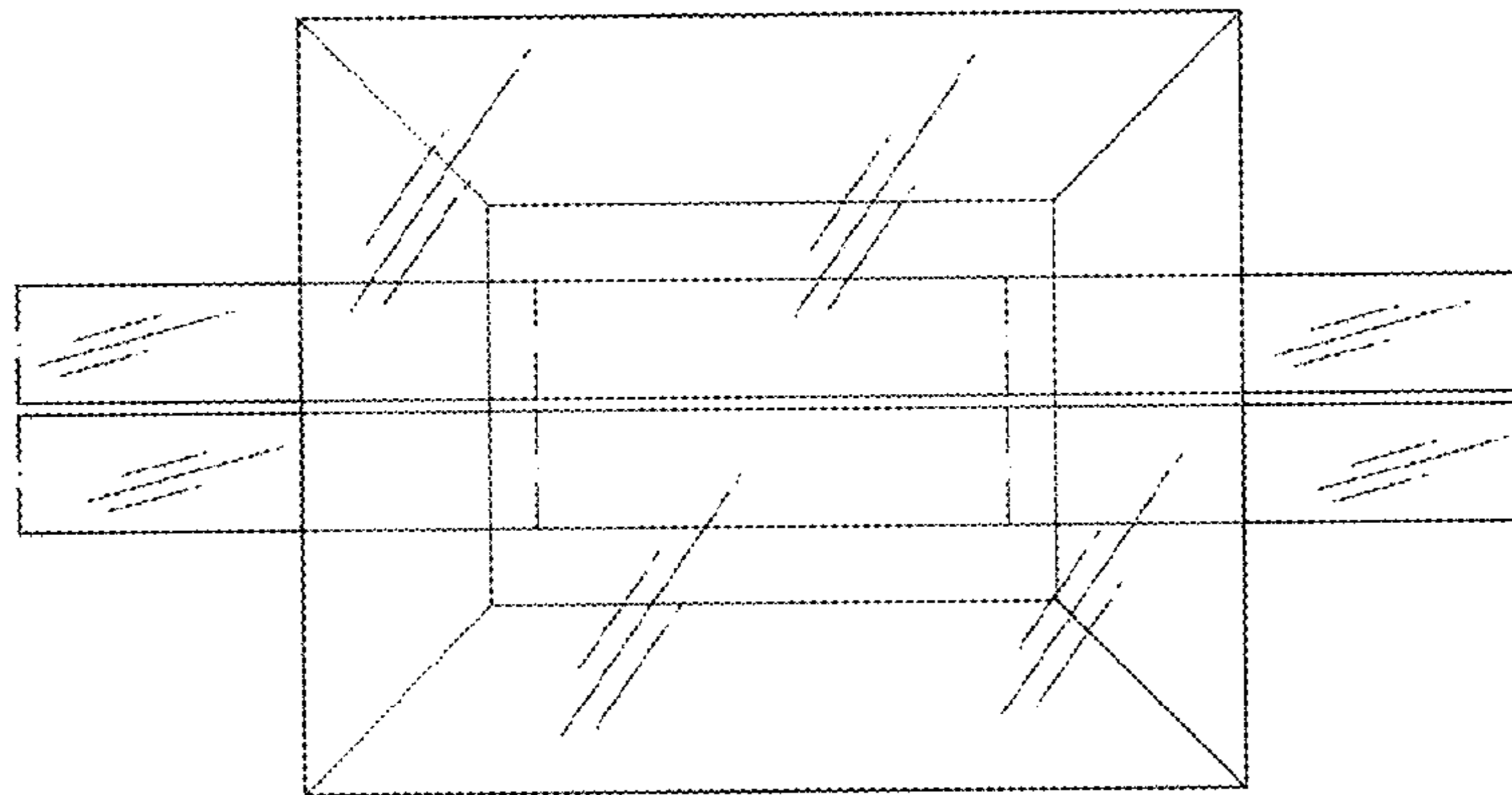


FIG. 12  
(NEW)